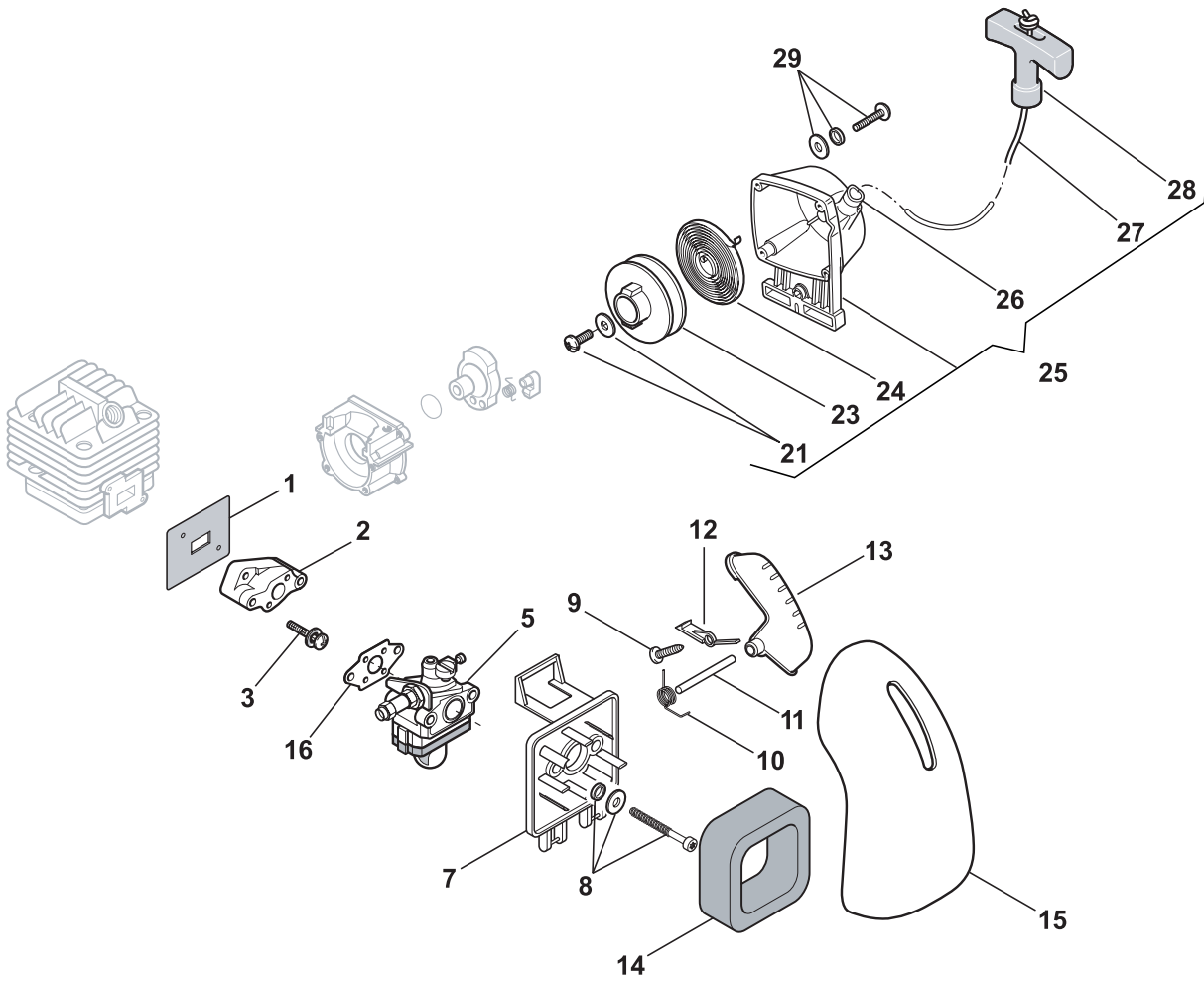
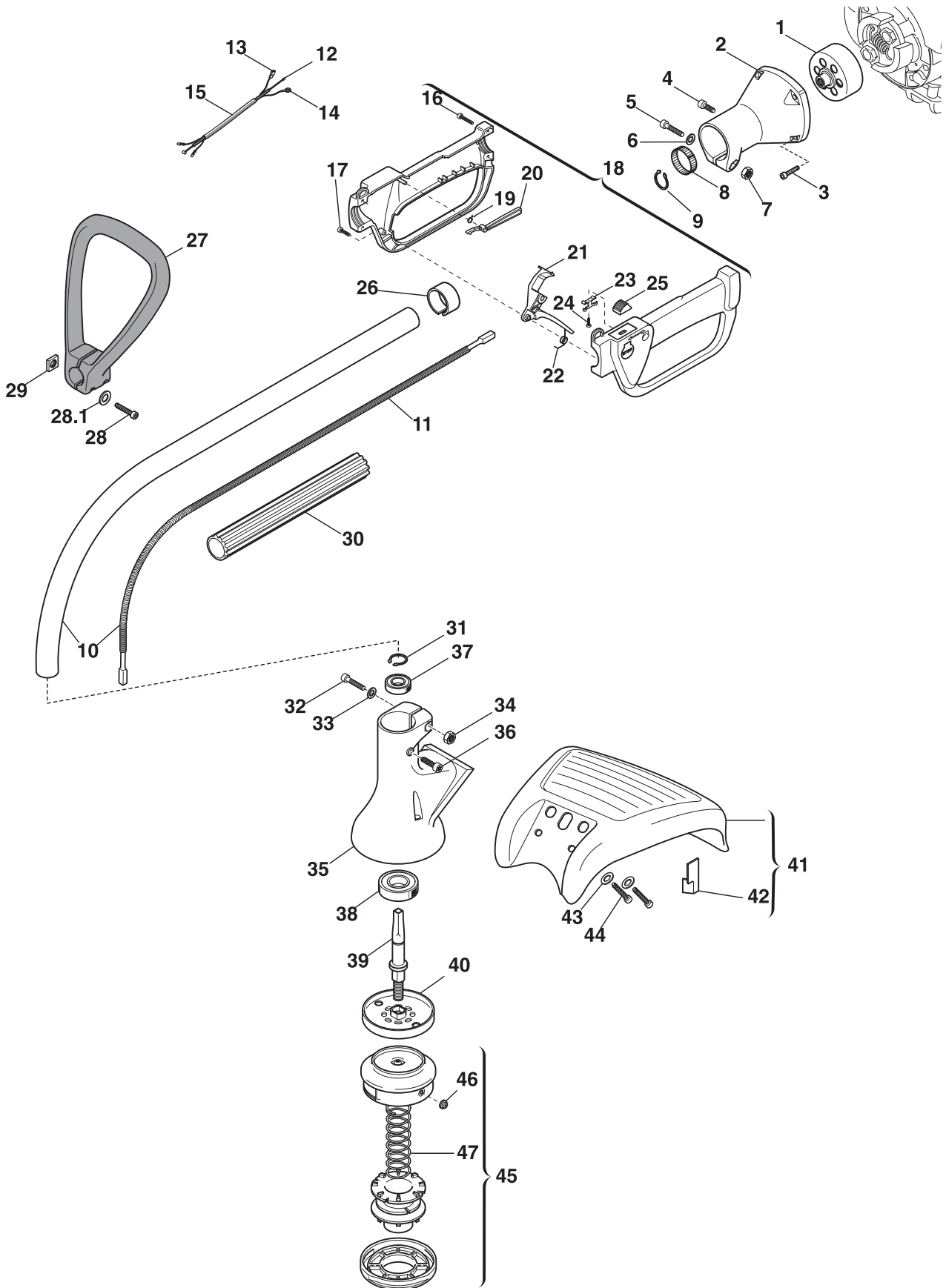


N°	Code	Q.ty	Descrizione	Description	Description	Beschreibung	Remarks
1	6981113	4	Set Viteria	Screws Set	Set Visserie	Satz Schrauben	
2	6981009	1	Carter Supp. Trasmissione	Transm.Support Case	Carter Supp. Transm.	Gehäuse Getriebe- plattform	
3	6981035	2	Vite	Screw	Vis	Schraube	
4	6981033	2	Rosetta	Washer	Rondelle	Scheibe	
5	6981034	1	Molla Frizione	Spring	Ressort	Kupplungsfeder	
6	6981032	2	Massa Frizione	Clutch Unit	Embrayage	Reibungsmasse	
7	6981143	1	Dado	Nut	Ecrou	Mutter	
8	6981002	1	Ass. Volano C/Masse	Flywheel Ass.Y	Ens. Volant	Schwungrad Magnet	
9	6981116	2	Set Viteria	Screws Set	Set Visserie	Satz Schrauben	
10	6981001	1	Bobina Elettronica	Elettronic Coil	Bobine Électronique	Elektronikspule	
11	6981114	4	Set Viteria	Screws Set	Set Visserie	Satz Schrauben	
12	6981008	1	Anello Di Tenuta	Seal Ring	Anneau De Tenue	Dichtring	
13	6981005	1	Carter Motore, Anteriore	Front Crank Case	Carter Moteur, Avant	Vordermotorabde- ckung	
14	6981097	2	Cuscinetto A Sfere	Ball Bearing	Roul. À Billes	Kugellager	
15	6981016	1	Ass. Albero Motore	Crankshaft	Arbre Moteur	Set Motorwelle	
16	6981017	1	Astuccio A Rulli	Needle Bearing	Roul. À Aiguilles	Walzenrohr	
17	6981096	1	Linguetta Volano	Flywheel Key	Clavette Volant	Lasche Schwungrad	
18	6981007	1	Guarnizione Carters	Gasket	Joint	Dichtung Abde- ckung	
19	6981126	3	Spina Di Centraggio	Centring Pin	Goupille De Centrage	Zentrierstift	
20	6981006	1	Carter Motore, Posteriore	Rear Crank Case	Carter Moteur, Arriere	Hintermotorabde- ckung	
21	6981008	1	Anello Di Tenuta	Seal Ring	Anneau De Tenue	Dichtring	
22	6981031	1	Coppa Avviamento	Starter Cup	Coupe Démarreur	Startergehäuse	
23	6981130	1	Molla Aggancio	Spring	Ressort	Feder Sperrung	
24	6981030	1	Aggancio Avviamento	Starter Hook	Fixation Démarreur	Sperre Starter	
25	6981012	1	Ass. Pistone	Piston Ass' Y	Ens.Piston	Set Kolben	
26	6981015	2	Fermo Spinotto	Washer, Piston Pin	Circlip Pointeau	Anschlag Zapfen	
27	6981014	1	Spinotto Pistone	Piston Pin	Pointeau Piston	Kolbenbolzen	
28	6981013	2	Fascia Elastica	Piston Ring	Collier Élastique	Kolbenring	
29	6981003	1	Ass. Cilindro - Pistone	Cylinder - Piston Ass'Y	Ens.Cylindre-Piston	Set Zylinder-Kolben	
30	6981004	1	Guarnizione Cilindro	Cylinder Gasket	Joint Cylindre	Zylinderdichtung	
31	6981113	4	Set Viteria	Screws Set	Set Visserie	Satz Schrauben	
32	6981106	1	Candela	Spark Plug	Bougie	Zündkerze	
33	6981023	1	Protezione Candela	Cover, Spark Plug	Cover, Spark Plug	Zündkerzenschutz	
34	6981285	3	Set Viteria	Screws Set	Set Visserie	Satz Schrauben	
35	6981044	1	Protezione	Guard Assy	Protection	Schutze	
36	6981121	1	Cuffia Copricilindro Aran- cione	Engine Cover Orange	Shield Orange	Zylinderkopfkappe Orange	
37	6981022	2	Cavi Avviamento	Switch Wires	Ens. Câble Démarrage	Satz Kabel, Start	
38	6981021	1	Fermacavo	Cable Retainer	Fixation Cable	Kabelbefestigung	
39	6981098	2	Set Viteria	Screws Set	Set Visserie	Satz Schrauben	
40	6981115	2	Set Viteria	Screws Set	Set Visserie	Satz Schrauben	
41	6981040	1	Silenziatore	Muffler	Silencieux	Schalldämpfer	
43	6981041	1	Protezione Silenziatore	Muffler Shield	Protection	Schutze	
44	6981116	1	Set Viteria	Screws Set	Set Visserie	Satz Schrauben	
45	6981043	1	Protezione	Guard Assy	Protection	Schutze	
46	6981128	1	Rosetta	Washer	Rondelle	Scheibe	
47	6981276	2	Rosetta	Washer	Rondelle	Scheibe	
51	6981091	1	Ass. Tappo Miscela	Cap Ass'Y, Fuel Tank	Bouchon Mélange	Set Deckel Trei- bstoff	
52	6981036	1	Ass. Serbatoio Mix.	Kit Fuel Tank	Ens.Réservoir Mélange	Set Treibstofftank	
53	6981038	2	Tubi Carburante	Fuel Hose	Tube De Connexion	Verbindungsrohr	
54	6981039	1	Ass. Gommino Passatubi	Grommet Assy	Ens.Rondelle Caoutchouc	Set Gummiringe	

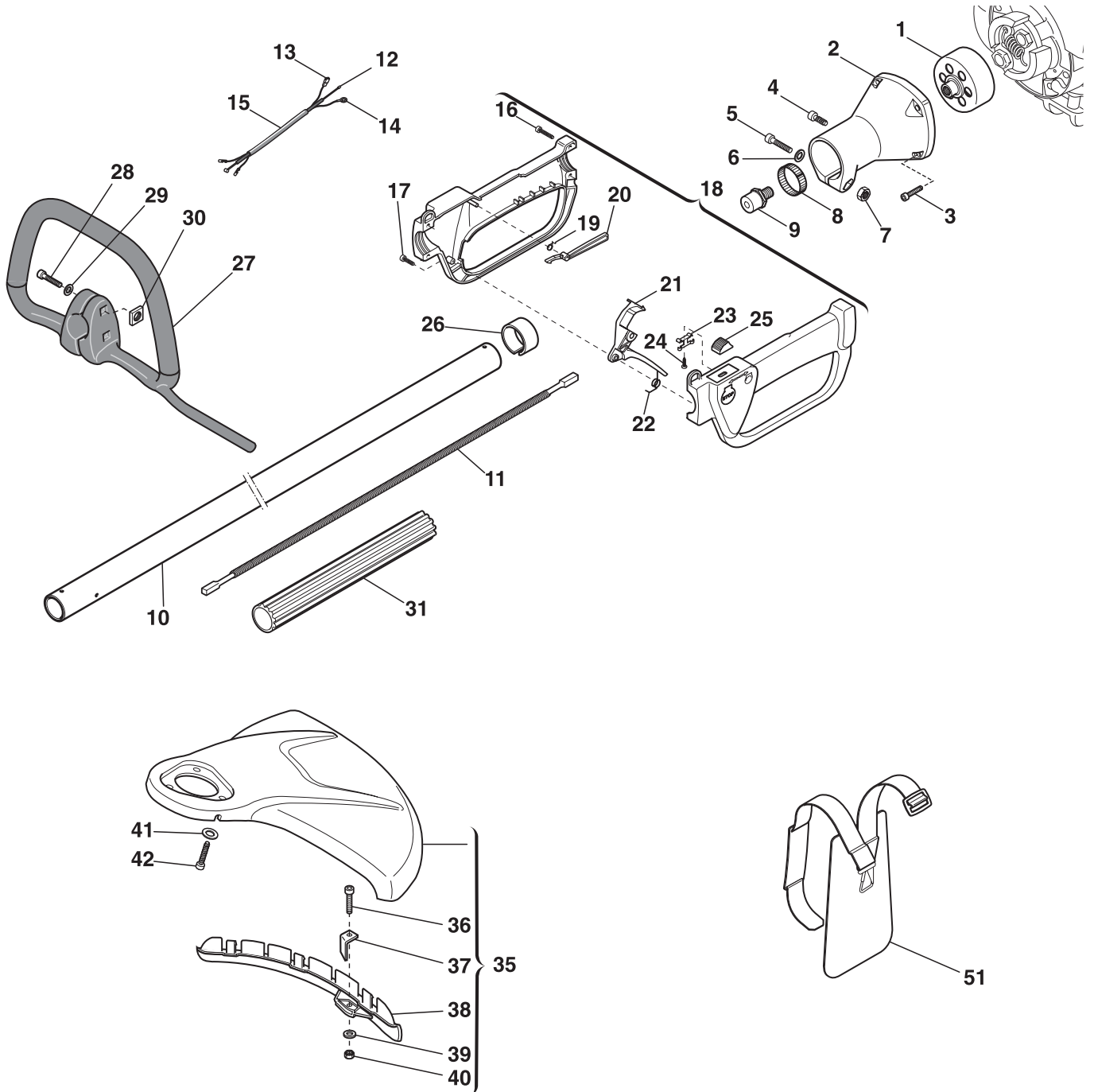




N°	Code	Q.ty	Descrizione	Description	Description	Beschreibung	Remarks
1	6981011	1	Guarniz.Collett-Cilindro	Intake Manif-Gasket	Joint Collect.-Cyl.	Dicht. Kollekt.-Zyl.	
2	6981010	1	Collettore Aspirazione	Intake Manifold	Collecteur Aspirateur	Kollektor Ansau- gung	
3	6981266	2	Set Viteria	Screws Set	Set Visserie	Satz Schrauben	
5	23054010/0	1	Carburatore	Carburettor Wyj-393	Carburateur Wyj-393	Vergaser	Walbro WYJ 393
7	6981019	1	Supp. Filtro Aria	Air Filter Holder	Supp. Filtre À Air	Halter Luftfilter	
8	6981105	2	Set Viteria	Screws Set	Set Visserie	Satz Schrauben	
9	6981269	2	Vite	Screw	Vis	Schraube	
10	6981045	1	Molla	Spring	Ressort	Feder	
11	6981046	1	Perno	Pin	Tourillon	Stift	
12	6981047	1	Fermo	Retainer	Butoir	Sperrung	
13	6981107	1	Pulsante	Button	Bouton	Druckknopf	
14	6981020	1	Filtro Aria	Air Filter	Filtre À Air	Luftfilter	
15	6981119	1	Coprifiltro Aria Arancione	Orange Filter Cover	Couvre-Filtre À Air Orange	Filterabd. Orange	
16	6981018	1	Guarniz.Collett-Carb.	Intake-Carb. Gasket	Joint Collect.-Carb.	Dicht. Kollekt.-Verg.	
21	6981099	1	Set Viteria	Screws Set	Set Visserie	Satz Schrauben	
23	6981026	1	Puleggia Avviamento	Starter Pulley	Poulie Démarrage	Riemenscheibe Starter	
24	6981025	1	Molla Avviamento	Spring	Ressort	Starterfeder	
25	6981024/1	1	Ass. Avviatore	Starter Ass.Y	Ens. Démarreur	Set Kupplung	
26	6981028	1	Guida Fune Avv.To	Rope Guide	Guide Câble Démarrage	Seil Starter Führung	
27	6981029	1	Fune Avviamento	Starter Cord	Câble Démarrage	Seil Starter	
28	6981027	1	Impugnatura Avv.To	Starter Handle	Poignée Démarrage	Griff Starter	
29	6981116	4	Set Viteria	Screws Set	Set Visserie	Satz Schrauben	

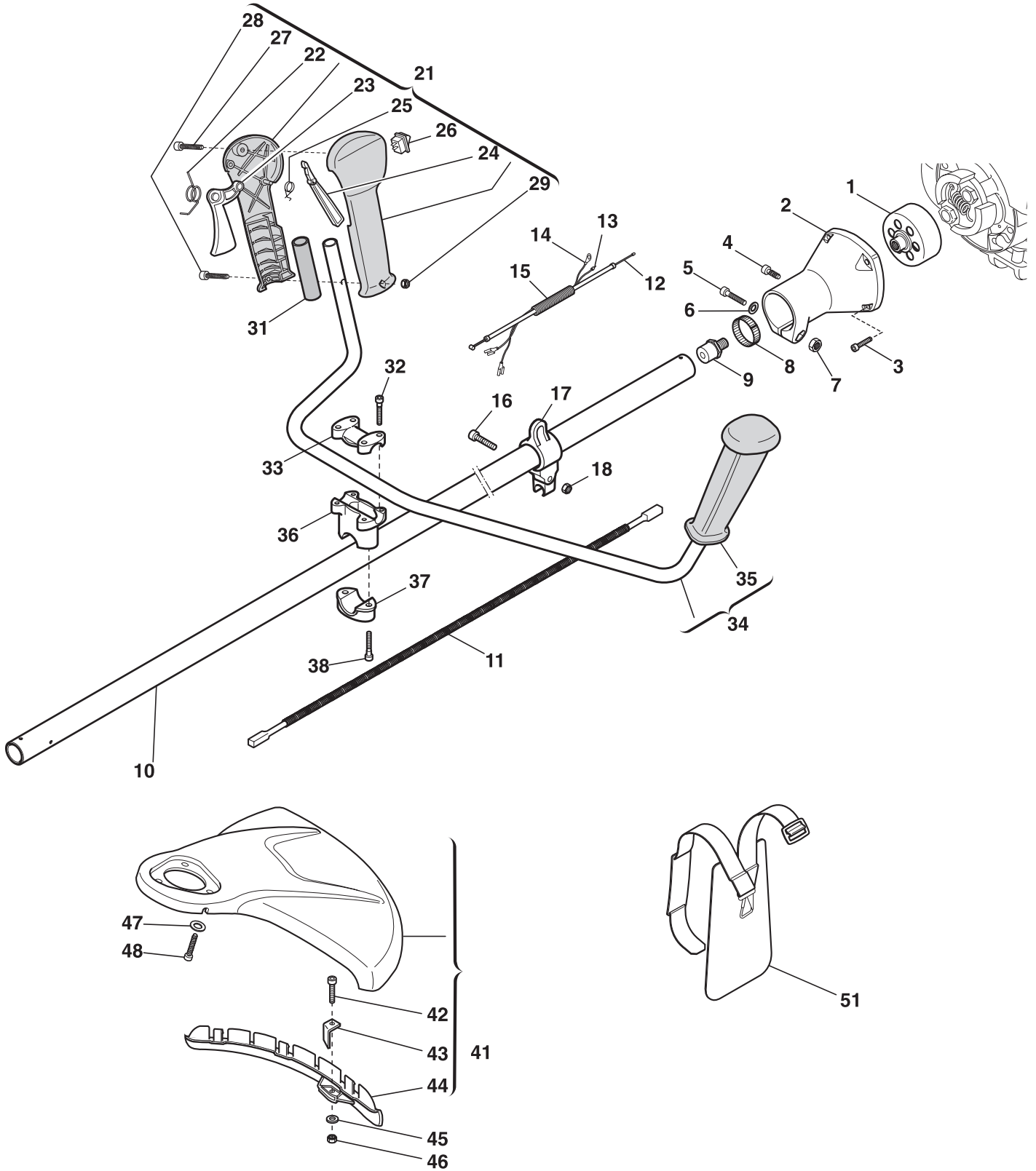


N°	Code	Q.ty	Descrizione	Description	Description	Beschreibung	Remarks
1	83050003/0	1	Ass. Campana Frizione	Drum Ass'Y, Clutch	Cloche Embrayage	Set Kupplungsglocke	
2	23782004/0	1	Ass.Supporto Trasm.	Support Trasm.Assy	Ens.Support Transm.	Getriebeplattform	
3	2135160	4	Vite	Screw	Vis	Schraube	
4	2123100	1	Vite	Screw	Vis	Schraube	
5	2135150	1	Vite	Screw	Vis	Schraube	
6	2312010	1	Rosetta	Washer	Rondelle	Scheibe	
7	2412020	1	Dado	Nut	Ecrou	Mutter	
8	23655002/0	2	Riduzione	Reduction	Réduction	Reduzierstück	
9	3353150	1	Anello Seeger	Snap Ring	Circlips	Seeger-Ring	
10	83869057/0	1	Ass.Tubo Trasm.	Trans.Pipe Assy	Ens.Tube Transm.	Schaftgruppe	
11	23020008/0	1	Ass.Albero Trasm.	Trans.Shaft Assy	Ens.Arbre Transm.	Set Motorwelle	
12	4252540	1	Cavo Acceleratore	Wire Ass.Y	Câble Accélér.	Starterkabel	
13	23065012/0	1	Cavo Bobina-Interruttore	Coil-Switch Cable	Câble Bobine-Interrupt.	Spulendraht-Schalter	
14	23065013/0	1	Cavo Massa	Earth Cable	Câble Masse	Erdungskabel	
15	3786030	1	Guaina Cavi	Wire Sheath	Gaine Câbles	Kabelmantel	
16	2123030	4	Vite	Screw	Vis	Schraube	
17	2123100	2	Vite	Screw	Vis	Schraube	
18	8562620/1	1	Ass. Impugnatura Post.	Handle Ass.Y	Ens.Poignée	Set Handgriff Hinten	
19	3654300	1	Molla Leva Di Sicurezza	Spring	Ressort	Feder Sicherheitshebel	
20	3743475	1	Leva Di Sicurezza	Safety Lever	Levier De Sécurité	Sicherheitshebel	
21	3743465	1	Leva Acceleratore	Throttle Lever	Levier Accélérateur	Gashebel	
22	3654270/1	1	Molla Leva Acceleratore	Spring	Ressort	Feder Gashebel	
23	3612710	1	Lamierino Di Stop	Stop Plate	Plaque D'Arrêt	Stop-Plättchen	
24	2123070	1	Vite	Screw	Vis	Schraube	
25	3749270	1	Pomello Di Stop	Stop Knob	Bouton D'Arrêt	Stop-Schalter	
26	3749920	2	Riduzione	Reduction	Réduction	Reduzierstück	
27	23300000/0	1	Impugnatura Anteriore	Front Handle	Poignée Avant	Handgriff Vorne	
28	2135050	2	Vite	Screw	Vis	Schraube	
28,1	2312090	2	Rosetta	Washer	Rondelle	Scheibe	
29	2461030	2	Dado	Nut	Ecrou	Mutter	
30	23170000/0	1	Distanziale	Spacer	Entretoise	Thermoisolierung	
31	3353150	1	Anello Seeger	Snap Ring	Circlips	Seeger-Ring	
32	2135150	1	Vite	Screw	Vis	Schraube	
33	2312010	1	Rosetta	Washer	Rondelle	Scheibe	
34	2412020	1	Dado	Nut	Ecrou	Mutter	
35	23056302/0	1	Carter Testina	Gear Case	Carter Boîte Engren.	Zahnradgehäuse	
36	2123100	1	Vite	Screw	Vis	Schraube	
37	19216037/0	1	Cuscinetto	Bearing	Roulement	Lager	
38	3112280	1	Cuscinetto	Bearing	Roulement	Lager	
39	23020005/0	1	Albero Testina	Head Shaft	Arbre Tête	Wellenkopf	
40	3614630	1	Ghiera Superiore	Upper Ring Nut	Bague Supérieure	Oberer Ringbolzen	
41	83465001/0	1	Ass. Paraspruzzi	Safety Cover Ass.Y	Ens. Capot Anti-Projections	Set Spritzschutz	
42	3614640	1	Lamierino Tagliafilo	Line Cutter	Coupe-Fil	Drahtscherenblech	
43	2312150	2	Rosetta	Washer	Rondelle	Scheibe	
44	2123030	2	Vite	Screw	Vis	Schraube	
45	23155001/0	1	Testina 2 Fili Tap & Go	2 Hedges Nylon Head	Tête À 2 Fils Nylon	2 Drahtscheibe	
46	3643430	2	Boccola Passafilo	Bushing	Douille	Büchse	
47	23430552/0	1	Molla Per Testina	Spring	Ressort	Feder Kettenbremse	



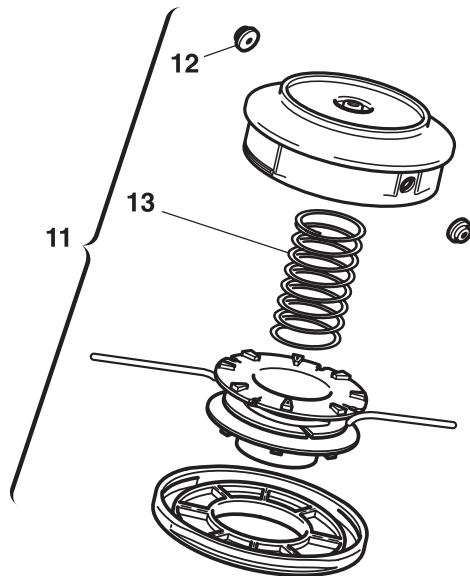
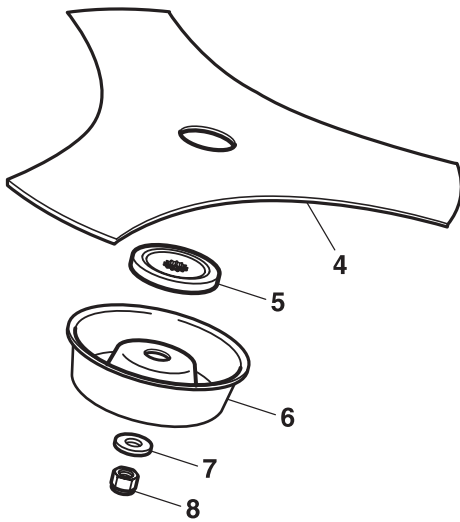
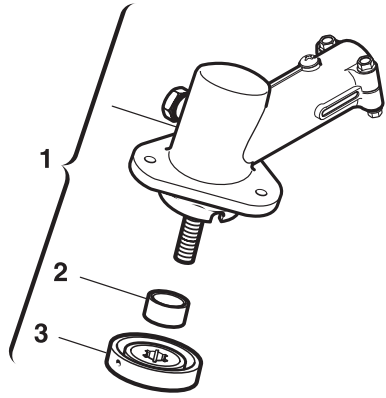


N°	Code	Q.ty	Descrizione	Description	Description	Beschreibung	Remarks
2	23782004/0	1	Ass.Supporto Trasm.	Support Trasm.Assy	Ens.Support Transm.	Getriebeplattform	
3	2135160	4	Vite	Screw	Vis	Schraube	
4	2653090	1	Vite	Screw	Vis	Schraube	
5	2135150	1	Vite	Screw	Vis	Schraube	
6	2312010	1	Rondella	Washer	Rondelle	Unterlegscheibe	
7	2412020	1	Dado	Nut	Ecrou	Mutter	
8	23655002/0	2	Riduzione	Reduction	Réduction	Reduzierstück	
9	23445258/0	1	Mozzo Cuscinetto	Bearing Hub	Moyeu Roulement	Lagernabe	
10	83869052/0	1	Ass.Tubo Trasm.	Trans.Pipe Assy	Ens.Tube Transm.	Schaftgruppe	
11	23020009/0	1	Ass.Albero Trasm.	Trans.Shaft Assy	Ens.Arbre Transm.	Set Motorwelle	
12	4252540	1	Cavo Acceleratore	Wire Ass.Y	Câble Accélér.	Starterkabel	
13	23065012/0	1	Cavo Bobina-Interruttore	Coil-Switch Cable	Câble Bobine-Interrupt.	Spulendraht-Schalter	
14	23065013/0	1	Cavo Massa	Earth Cable	Câble Masse	Erdungskabel	
15	3786030	1	Guaina Cavi	Wire Sheath	Gainé Câbles	Kabelmantel	
16	2123030	4	Vite	Screw	Vis	Schraube	
17	2123100	2	Vite	Screw	Vis	Schraube	
18	8562620/1	1	Ass. Impugnatura Post.	Handle Ass.Y	Ens.Poignée	Set Handgriff Hinten	
19	3654300	1	Molla Leva Di Sicurezza	Spring	Ressort	Feder Sicherheitshebel	
20	3743475	1	Leva Di Sicurezza	Safety Lever	Levier De Sécurité	Sicherheitshebel	
21	3743465	1	Leva Acceleratore	Throttle Lever	Levier Accélérateur	Gashebel	
22	3654270/1	1	Molla Leva Acceleratore	Spring	Ressort	Feder Gashebel	
23	3612710	1	Lamierino Di Stop	Stop Plate	Plaque D'Arrêt	Stop-Plättchen	
24	2123070	1	Vite	Screw	Vis	Schraube	
25	3749270	1	Pomello Di Stop	Stop Knob	Bouton D'Arrêt	Stop-Schalter	
26	3749920	2	Riduzione	Reduction	Réduction	Reduzierstück	
27	23300001/0	1	Impugnatura Anteriore	Front Handle	Poignée Avant	Handgriff Vorne	
28	2135050	2	Vite	Screw	Vis	Schraube	
29	2312090	2	Rondella	Washer	Rondelle	Unterlegscheibe	
30	2461030	2	Dado	Nut	Ecrou	Mutter	
31	23170000/0	1	Distanziale	Spacer	Entretoise	Thermoisolierung	
35	83465003/0	1	Ass. Paraspruzzi	Safety Cover Ass.Y	Ens. Capot Anti-Projections	Set Spritzschutz	
36	2135030	1	Vite	Screw	Vis	Schraube	
37	3615000	1	Lamierino Tagliafilo	Line Cutter	Coupe-Fil	Drahtscherenblech	
38	23600051/0	1	Protezione	Protection	Protection	Schutz	
39	2312150	1	Rondella	Washer	Rondelle	Unterlegscheibe	
40	2432040	1	Dado	Nut	Ecrou	Mutter	
41	2312150	3	Rondella	Washer	Rondelle	Unterlegscheibe	
42	2135180	3	Vite	Screw	Vis	Schraube	
51	4253460	1	Bretella	Harness	Harnais	Gurtzeug	





N°	Code	Q.ty	Descrizione	Description	Description	Beschreibung	Remarks
1	83050004/0	1	Ass. Campana Frizione	Drum Ass'Y, Clutch	Cloche Embrayage	Set Kupplungs- sglocke	
2	23782004/0	1	Ass.Supporto Trasm.	Support Trasm.Assy	Ens.Support Transm.	Getriebeplattform	
3	2135160	4	Vite	Screw	Vis	Schraube	
4	2653090	1	Vite	Screw	Vis	Schraube	
5	2135150	1	Vite	Screw	Vis	Schraube	
6	2312010	1	Rosetta	Washer	Rondelle	Scheibe	
7	2412020	1	Dado	Nut	Ecrou	Mutter	
8	23655002/0	2	Riduzione	Reduction	Réduction	Reduzierstück	
9	23445258/0	1	Mozzo Cuscinetto	Bearing Hub	Moyeu Roulement	Lagernabe	
10	83869052/0	1	Ass. Tubo Trasmiss.	Transmission Pipe Ass.Y	Ens.Tube Transm.	Set Rohr Pulse	
11	23020009/0	1	Ass. Albero Trasmissione	Transmission Shaft Ass.Y	Ens.Arbre Transm.	Set Antriebswelle	
12	4252720	1	Cavo Acceleratore	Wire Ass.Y	Câble Accélér.	Starterkabel	
13	23065002/0	1	Cavo Bobina-Interruttore	Coil-Switch Cable	Câble Bobine-Interrupt.	Spulendraht-Schal- ter	
14	23065015/0	1	Cavo Massa	Earth Cable	Câble Masse	Erdungskabel	
15	3786240	1	Guaina Cavi	Wire Sheath	Gain Câbles	Kabelmantel	
16	2135040	1	Vite	Screw	Vis	Schraube	
17	23780000/0	1	Supporto Bretelle	Harness Support	Support Harnais	Gurtzeughalter	
18	2412030	1	Dado	Nut	Ecrou	Mutter	
21	8563830	1	Ass. Impugnatura	Handle Ass.Y	Ens.Poignée	Set Handgriff	
22	3654270/1	1	Leva Acceleratore	Throttle Lever	Levier Accélérateur	Gashebel	
23	3743431/1	1	Molla Leva Acceleratore	Spring	Ressort	Feder Gashebel	
24	3743441	1	Leva Di Sicurezza	Safety Lever	Levier De Sécurité	Sicherheitshebel	
25	3654280/1	1	Molla Leva Di Sicurezza	Spring	Ressort	Feder Sicherhei- tshebel	
26	3210970	1	Interruttore Stop	Stop Switch	Interrupteur D'Arrêt	Stop-Schalter	
27	2123030	1	Vite	Screw	Vis	Schraube	
28	2135050	1	Vite	Screw	Vis	Schraube	
29	12154330/0	1	Dado	Nut	Ecrou	Mutter	
31	23655001/0	1	Riduzione	Reduction	Réduction	Reduzierstück	
32	2135060	4	Vite	Screw	Vis	Schraube	
33	4541500/1	1	Supporto Manubrio Sup.	Upper Handgrip Support	Support Guidon Sup.	Handgriffhalter Unterteil	
34	83394003/0	1	Ass. Manubrio	Handle Ass.Y	Ens. Guidon	Set Handgriff	
35	23395050/0	1	Impugnatura Sinistra	Left Handle	Poignée Gauche	Handgriff Links	
36	4541490/1	1	Supporto Manubrio	Handle Support	Support Guidon	Handgriffhalter	
37	4541510	1	Ass.Supporto Manubrio Inf.	Lower Handgrip Support	Support Guidon Inf.	Handgriffhalter Oberteil	
38	2135050	2	Vite	Screw	Vis	Schraube	
41	83465003/0	1	Ass. Paraspruzzi	Safety Cover Ass.Y	Ens. Capot Anti-Projections	Set Spritzschutz	
42	2135030	1	Vite	Screw	Vis	Schraube	
43	3615000	1	Lamierino Tagliafilo	Line Cutter	Coupe-Fil	Drahtscherenblech	
44	23600051/0	1	Protezione	Protection	Protection	Schutz	
45	2312150	1	Rosetta	Washer	Rondelle	Scheibe	
46	2432040	1	Dado	Nut	Ecrou	Mutter	
47	2312150	3	Rosetta	Washer	Rondelle	Scheibe	
48	2135180	3	Vite	Screw	Vis	Schraube	
51	4253460	1	Bretella	Harness	Harnais	Gurtzeug	





N°	Code	Q.ty	Descrizione	Description	Description	Beschreibung	Remarks
1	23820000/0	1	Ass.Testina	Gear Case Assy	Ens. Boîte Engren.	Set Zahnradge- triebe	
2	6980307	1	Collare	Collar	Collier	Stellring	
3	6980338	1	Ghiera Superiore	Upper Ring Nut	Bague Supérieure	Oberer Ringbolzen	
4	6031172	1	Disco 3 Punte 25 Cm	3 Teeth Disc 25 Cm	Lame Á 3 Dents 25 Cm	Scheibe / 3 Zähne 25 Cm	
5	3612650	1	Ghiera Inferiore	Lower Ring Nut	Bague Inférieure	Unterer Ringbolzen	
6	3615300	1	Coppa Fissa	Stabilizer	Stabilisateur	Stabilisator	
7	2321060	1	Rosetta	Washer	Rondelle	Scheibe	
8	2452090	1	Dado	Nut	Ecrou	Mutter	
11	23155000/0	1	Testina 2 Fili Tap & Go	2 Hedges Nylon Head	Tête Á 2 Fils Nylon	2 Drahtscheibe	
12	3643430	2	Boccole Passafilo	Passafilobushing	Passe-Fils	Büchse	
13	3654590	1	Molla	Spring	Ressort	Feder	