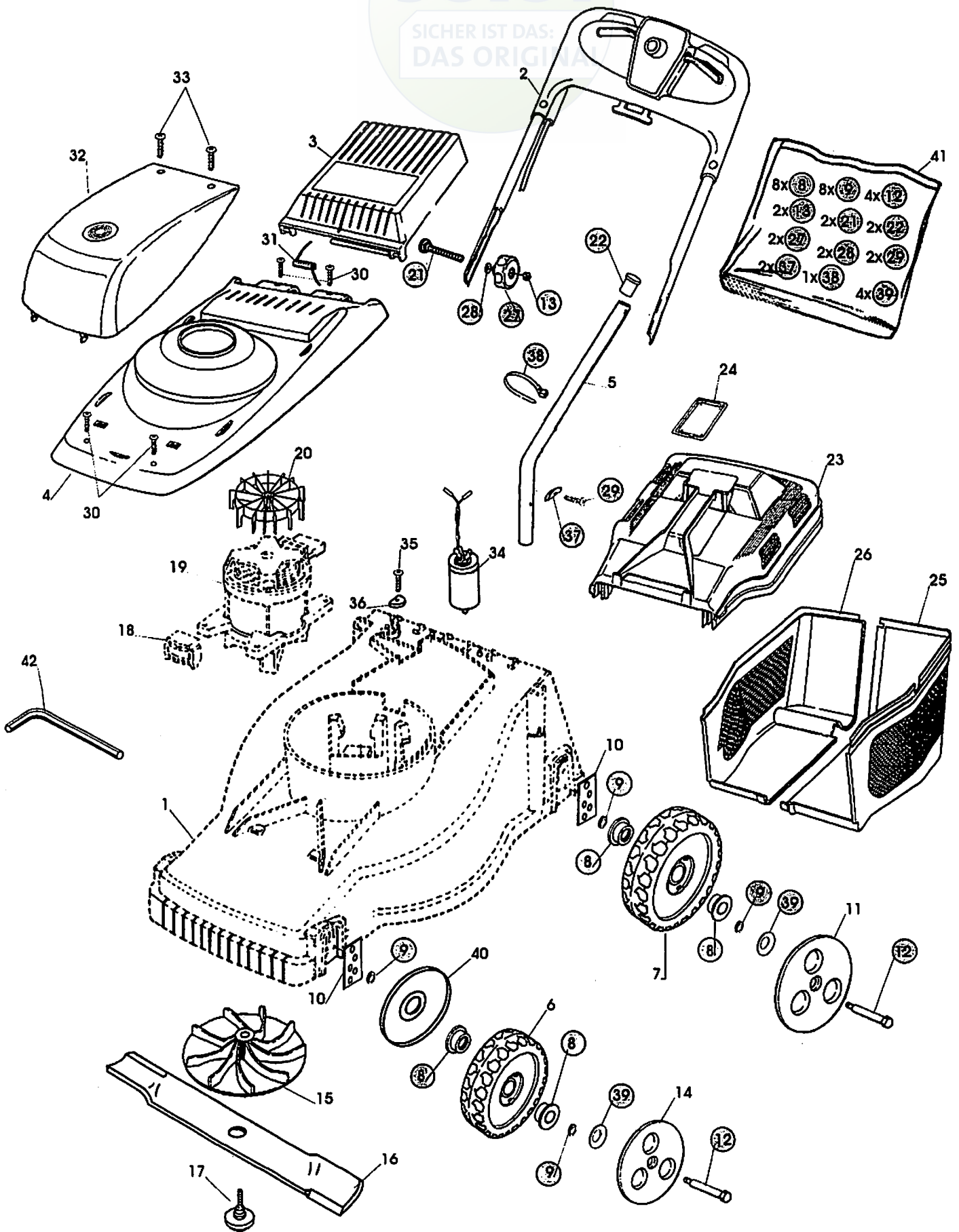


JOIST

SICHER IST DAS:
DAS ORIGINAL



B022A



| Ausgabe Issue | | Bild Nr. Picture No | | VARIOLUX 40 EM | VARIOLUX 40 EM | Seite Page | | |
|------------------|-----------------|------------------------|--|------------------------|-----------------------------|-----------------------------|-------------|--------------------|
| 2001-1 | | B022A | | | | 16 | | |
| Pos. Fig. | Anzahl/Quantity | | | Artikel Nr. Part No | Bezeichnung | Description | Satz Kit | Anmerkung Notes |
| | | | | | | | | |
| 1 | 1 | | | 1117-1317-02 | Chassie..... | Chassis | | Die Schweiz |
| 2 | 1 | | | 1117-3209-01 | Führungsholm m.Schalt | Handle upper w.switch | | |
| 2 | 1 | | | 1117-3212-01 | Führungsholm m.Schalt | Handle upper w.switch | | |
| 3 | 1 | | | 1111-3282-02 | Klappe | Flap | | |
| 4 | 1 | | | 1117-1318-02 | Motorbefestigung-schw | Motor mount-black | | |
| 5 | 1 | | | 1117-3206-01 | Führungsrohr-links | Handle tube-left..... | | |
| 5 | 1 | | | 1117-3207-01 | Führungsrohr-rechts | Handle tube-right | | |
| 6 | 2 | | | 1111-3163-01 | Rad..... | Wheel..... | | |
| 7 | 2 | | | 1111-3238-01 | Rad..... | Wheel..... | | |
| 8 | 8 | | | 9549-0053-00 | Kugellager | Ball bearing | | |
| 9 | 8 | | | 1111-3138-01 | Distanz..... | Spacer..... | | |
| 10 | 4 | | | 1111-2767-02 | Halteblech..... | Wheel plate | | |
| 11 | 2 | | | 1117-3225-03 | Nabenkapsel | Hub cap..... | | |
| 12 | 4 | | | 1117-3223-01 | Ansatzbolzen | Shoulder bolt | | |
| 13 | 2 | | | 9799-0831-02 | Mutter | Nut | | |
| 14 | 2 | | | 1117-3224-03 | Nabenkapsel | Hub cap..... | | |
| 15 | 1 | | | 1111-3137-01 | Ventilator/Messerhalt..... | Fan/blade holder | | |
| 16 | 1 | | | 1111-9702-01 | Messer..... | Blade | | |
| 17 | 1 | | | 1111-9715-01 | Messerbolzen | Blade bolt | | |
| 18 | 4 | | | 1111-2757-02 | Motoraufhängung | Motor mount block | | |
| 19 | 1 | | | 1117-1366-01 | El.Motor..... | El.motor | | |
| 20 | 1 | | | 1117-1370-01 | Gebälse..... | Fan | | |
| 21 | 2 | | | 9898-0845-12 | Schraube | Screw..... | | |
| 22 | 2 | | | 1117-1371-01 | Propfen..... | Cap..... | | |
| 23 | 1 | | | 1117-1345-02 | Grassamler-Obert. | Top collector-black | Inkl. 24 | |
| 24 | 1 | | | 1111-2764-01 | . Deckel..... | . Cover..... | | |
| 25 | 1 | | | 1111-3106-01 | Grassamler-Unterteil | Collector-lower part | | |
| 26 | 1 | | | 1111-3116-01 | Grassamler-Unterteil | Collector-lower part | | |
| 27 | 2 | | | 1117-3194-01 | Verriegelungsrad | Locking knob | | |
| 28 | 2 | | | 9699-0025-02 | Scheibe..... | Washer..... | | |
| 29 | 2 | | | 9847-7909-16 | Schraube | Screw..... | | |
| 30 | 5 | | | 9836-9516-12 | Schraube | Screw..... | | |
| 31 | 1 | | | 1111-2792-01 | Feder | Spring | | |
| 32 | 1 | | | 1117-1305-01 | Motorendeckel-grün | Motor cover-green | | |
| 33 | 2 | | | 9836-9116-12 | Schraube | Screw..... | | |
| 34 | 1 | | | 9400-0265-00 | Kondensator | Condensor | | |
| 35 | 1 | | | 1117-3226-01 | Schraube | Screw..... | | |
| 36 | 1 | | | 1117-1175-01 | Scheibe..... | Washer..... | | |
| 37 | 2 | | | 1111-3136-01 | Scheibe..... | Washer..... | | |
| 38 | 1 | | | 9579-0008-00 | Kabelhalter..... | Cable holder | | |
| 39 | 4 | | | 1117-1059-01 | Scheibe..... | Washer..... | | |
| 40 | 2 | | | 1117-1161-01 | Radschutz..... | Wheel protection | | |
| 41 | 1 | | | 1117-3218-01 | Montagesatz | Assy kit | | |
| 42 | 1 | | | 1117-1355-01 | Schlüssel..... | Socket wrench | | |

X