

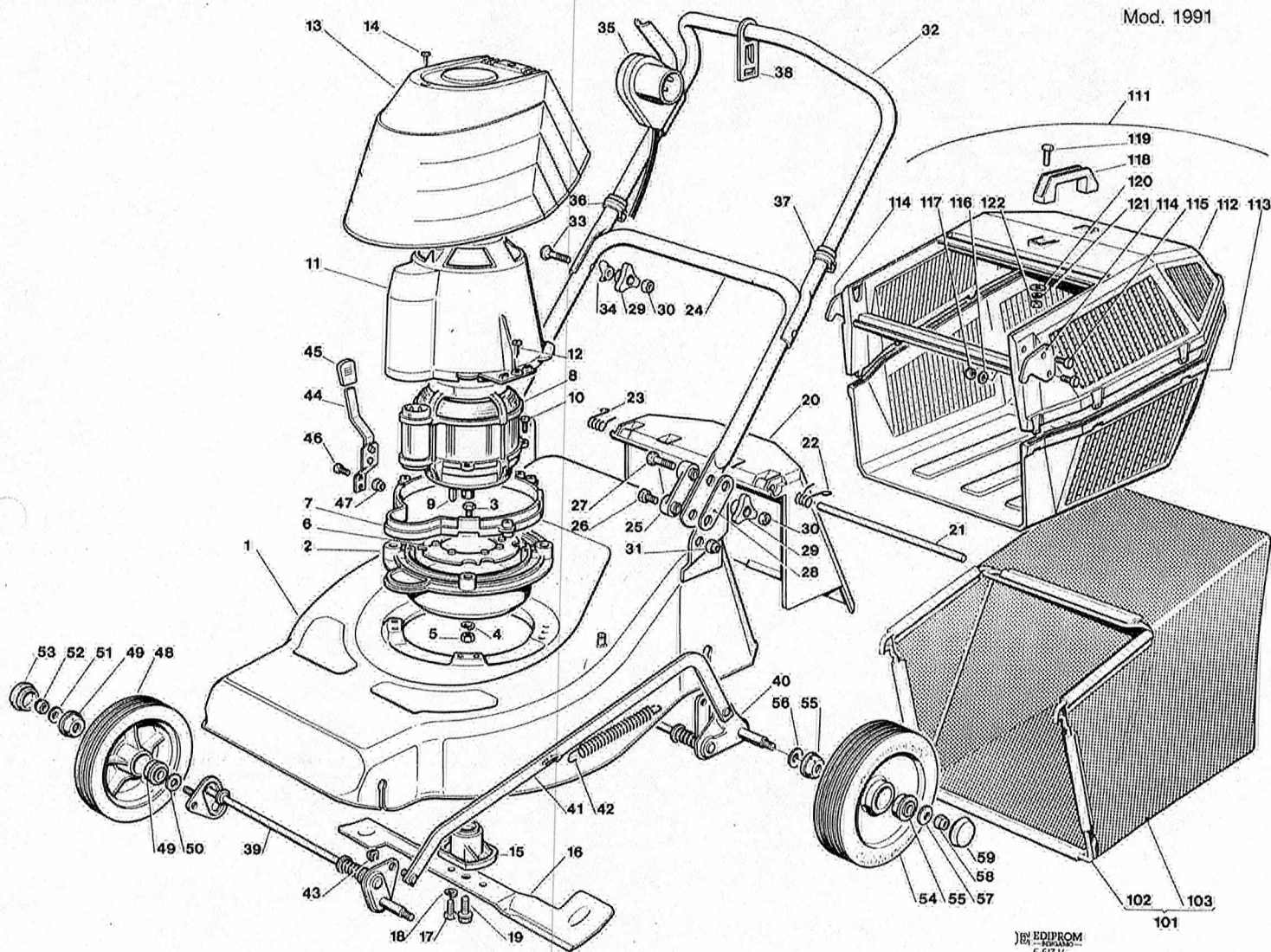
# Le Club®

-45-

VISTE ESPLOSE  
EXPLODED VIEWS  
VUES ECLATEES  
SPRENGZEICHNUNGEN

## CL 430

Mod. 1991



EDIPROM  
E 617.14

| Pos. Nr. | Codice Kodex Code | Descrizione              | Description             | Description              | Beschreibung           | Q.tà<br>Q.ty<br>Q.tè<br>Menge |
|----------|-------------------|--------------------------|-------------------------|--------------------------|------------------------|-------------------------------|
| 1        | 81001009/0        | CHASSIS GIALLO           | YELLOW DECK             | CHASSIS JOUNE            | GEHÄUSE GELB           | 1                             |
| 2        | 22207211/3        | FLANGIA                  | FLANGE                  | BRIDE                    | FLANSCH                | 1                             |
| 3        | 12793700/0        | VITE                     | SCREW                   | VIS                      | SCHRAUBE               | 4                             |
| 4        | 12583500/0        | GROWER                   | GROWER                  | GROWER                   | FEDERRING              | 4                             |
| 5        | 12293200/0        | DADO                     | NUT                     | ECROU                    | MUTTER                 | 4                             |
| 6        | 22720355/0        | SCHERMO VENTILAZIONE     | VENTILATION SCREEN      | ECRAN VENTILATION        | LEUFTUNGSSCHIRM        | 1                             |
| 7        | 22174006/1        | DISTANZIALE              | SPACER                  | ENTRETOISE               | DISTANZRING            | 1                             |
| 8        | 18563002/0        | MOTORE RST 1100W C/F     | MOTOR RS 1100W W/B      | MOTEUR RST 1100W A/F     | MOTOR RST 1100W M/B    | 1                             |
| 8A       | 18740051/0        | VENTOLA PER MOTORE RST   | FAN MOTOR RST           | VENTILATERU MOTEUR RST   | LUEFTER MOTOR RST      | 1                             |
| 8B       | 18222036/0        | CONDENSATORE 12 µF       | CONDENSER 12 µF         | CONDENSEUR 12 µF         | KONDENSATOR 12 µF      | 1                             |
| 8C       | 18563042/0        | MOTORE IBMEI 1100W/240W  | IBMEI ENGINE 1100W/240W | MOTEUR IBMEI 1100W/240W  | MOTOR IBMEI 1100W/240W | 1                             |
| 8D       | 18740049/0        | VENTOLA PER MOTORE IBMEI | IBMEI ENGINE FAN        | VENTILATEUR MOTEUR IBMEI | IBMEI LÜFTER           | 1                             |
| 8E       | 18398015/1        | FLANGIA INFERIORE IBMEI  | LOWER FLANGE IBMEI      | BRIDE INF. IBMEI         | UNTER FLANSCH IBMEI    | 1                             |
| 8F       | 18398025/2        | FLANGIA SUPERIORE IBMEI  | UPPER FLANGE IBMEI      | BRIDE INF. IBMEI         | OBER FLANSCH IBMEI     | 1                             |
| 9        | 12139440/0        | LINGUETTA                | KEY                     | CLAVETTE                 | KEIL                   | 1                             |
| 10       | 12735410/0        | VITE                     | SCREW                   | VIS                      | SCHRAUBE               | 4                             |
| 11       | 22785060/1        | SUPPORTO CAPOTTINA       | COVER SUPPORT           | SUPPORT CAPOT            | HAUBEHALTER            | 1                             |
| 12       | 12728710/0        | VITE                     | SCREW                   | VIS                      | SCHRAUBE               | 4                             |
| 13       | 81002057/0        | ASSIEME CAPOTTINA        | COVER ASS'Y             | ENS. CAPOT               | KOMPLETTE HAUBE        | 1                             |
| 14       | 12728680/0        | VITE                     | SCREW                   | VIS                      | SCHRAUBE               | 2                             |
| 15       | 22463186/1        | MOZZO                    | HUB                     | MOYEU                    | HALTER                 | 1                             |
| 16       | 81004396/0        | COLTELLO ALETTATO        | WINGED BLADE            | LAME AILETTEE            | FLUEGELMESSER          | 1                             |
| 16A      | 81004341/0        | COLTELLO STANDARD        | STANDARD BLADE          | LAME STANDARD            | STANDARD MESSER        | 1                             |
| 17       | 12793101/0        | VITE                     | SCREW                   | VIS                      | SCHRAUBE               | 2                             |
| 18       | 12583500/0        | GROWER                   | GROWER                  | GROWER                   | FEDERRING              | 2                             |



### CASTEL GARDEN EQUIPMENT spa

I - 31033 CASTELFRANCO VENETO - ITALY  
TF (0423) 493161 - TX 433359 GARDEN ITALY  
FAX (0423) 498404

CN 71502719/1  
Printed in Italy by TYP'0

| Pos. Nr. | Codice Kodex Code | Descrizione                             | Description                                | Description                             | Beschreibung                                    | Q. tà<br>Q. ty<br>Q. të<br>Menge |
|----------|-------------------|---|--|---|---|----------------------------------|
| 19.      | 81004352/0        | VITE                                    | SCREW                                      | VIS                                     | SCHRAUBE  | 1                                |
| 20       | 22600028/0        | PARASSASSI                              | STONE GUARD                                | PARE-PIERRES                            | PRALLBLECH                                      | 1                                |
| 21       | 22517906/0        | PERNO                                   | PIN  | PIVOT                                   | BOLZEN  | 1                                |
| 22       | 22450420/0        | MOLLA SX                                | LEFT SPRING                                | RESSORT GAUCHE                          | L. FEDER  | 1                                |
| 23       | 22450410/0        | MOLLA DX                                | RIGHT SPRING                               | RESSORT DROITE                          | R. FEDER  | 1                                |
| 24       | 81006512/0        | PARTE INF. MANICO                       | LOWER HANDLE                               | PARTIE INF. MANCHERON                   | UNTERHOLM                                       | 1                                |
| 25       | 22551575/0        | PIASTRINA INTERNA                       | INSIDE PLAQUE                              | PLAQUETTE INTERIEURE                    | ISOLIERPLATTE                                   | 2                                |
| 26       | 12793301/0        | VITE                                    | SCREW                                      | VIS                                     | SCHRAUBE  | 2                                |
| 27       | 12691115/0        | VITE                                    | SCREW                                      | VIS                                     | SCHRAUBE  | 2                                |
| 28       | 22551474/0        | PIASTRINA ESTERNA                       | OUTSIDE PLATE                              | PLAQUETTE EXTERIEURE                    | ISOLIERPLATTE                                   | 2                                |
| 29       | 22399900/0        | MANOPOLINA                              | KNOB                                       | POIGNÉE                                 | GRIFF   | 4                                |
| 30       | 12293200/0        | DADO                                    | NUT  | ECROU                                   | MUTTER  | 4                                |
| 31       | 12155000/0        | DADO                                    | NUT  | ECROU                                   | MUTTER  | 2                                |
| 32       | 81006933/1        | PARTE SUP. MANICO                       | UPPER HANDLE                               | PARTIE SUP. MANCHERON                   | HOMOBETERIL                                     | 1                                |
| 33       | 12819201/0        | VITE                                    | SCREW                                      | VIS                                     | SCHRAUBE  | 2                                |
| 34       | 22680006/1        | RONDELLA                                | WASHER                                     | RONDELLE                                | SCHEIBE   | 2                                |
| 35       | 18710561/0        | SALVAMOTORE MM CEE<br>7 AMP.(220/240V)  | MOTOR PROT. MM CEE<br>7 AMP. (220/240V)    | PROTEGE MOT. MM CEE<br>7 AMP.(220/240V) | MOTORSCHUTZSCHALTER<br>MM CEE 7 AMP. (220/240V) | 1                                |
| 35A      | 18710608/0        | SALVAMOTORE MM SEV<br>7 AMP. (SVIZZERA) | MOTOR PROT. MM SEV<br>7 AMP. (SWITZERLAND) | PROTEGE MOT. MM SEV<br>7 AMP. (SUISSE)  | MOTORSCHUTZSCHALTER<br>MM SEV 7 AMP. (SCHWEIZ)  | 2                                |
| 36       | 22192000/1        | FASCETTA ANCORAGGIO                     | ANCHOR CLAMP                               | BANDE ANCRAGE                           | BOWDENZUGHALTER                                 | 1                                |
| 37       | 22192150/0        | FERMACAVO                               | FAIR LEAD                                  | SERRE CABLE                             | KABELBEFESTIGUNG                                | 1                                |
| 38       | 22195101/1        | FERMACAVO                               | FAIR LEAD                                  | SERRE CABLE                             | KABELBEFESTIGUNG                                | 1                                |
| 39       | 81001248/0        | ASSE RUOTE ANT.                         | FRONT WHEELS AXLE                          | AXE ROUES AVANT                         | VORDERRADACHSE                                  | 1                                |
| 40       | 81001254/0        | ASSE RUOTE POST.                        | REAR WHEELS AXLE                           | AXE ROUES ARRIERE                       | HINTERRADACHSE                                  | 1                                |
| 41       | 81001244/0        | ASTA COMANDO                            | ADJ ROD                                    | TIGE COMMANDE                           | STELLSTAB                                       | 1                                |
| 42       | 22446180/0        | MOLLA                                   | SPRING                                     | RESSORT                                 | FEDER   | 2                                |
| 43       | 12436050/0        | PIASTRINA X PASTA                       | ROD PLATE                                  | PLAQUETTE X TIGE                        | PLAETTCHEN FUER<br>STELLSTAB                    | 1                                |
| 44       | 81003279/0        | ASS. LEVA REGOLAZ.                      | HEIGHT ADJ. LEVER ASS'Y                    | ENS. LEVIER REGLAGE                     | VERSTELLUNG HEBELSATZ                           | 1                                |
| 45       | 22397000/0        | MANOPOLA                                | KNOW                                       | POIGNÉE                                 | GRIFF   | 2                                |
| 46       | 12788880/0        | VITE                                    | SCREW                                      | VIS                                     | SCHRAUBE  | 2                                |
| 47       | 12154320/0        | DADO                                    | NUT  | ECROU                                   | MUTTER  | 2                                |
| 48       | 81007292/0        | RUOTA Ø170 GIALLA                       | YELLOW Ø170 WHEEL                          | ROUE Ø170                               | GELBES Ø170 RAD                                 | 2                                |
| 48A      | 81007242/0        | RUOTA Ø170 BIANCA                       | WHITE Ø170 WHEEL                           | ROUE Ø170 BLANCHE                       | WEISSES Ø170 RAD                                | 2                                |
| 49       | 22122200/0        | CUSCINETTO                              | BEARING                                    | COUSSINET                               | KUEGELLAGER                                     | 4                                |
| 50       | 12530150/0        | RONDELLA                                | WASHER                                     | RONDELLE                                | SCHEIBE   | 2                                |
| 51       | 12521350/0        | RONDELLA                                | WASHER                                     | ECROU                                   | SCHEIBE   | 2                                |
| 52       | 12155000/0        | DADO                                    | NUT  | ECROU                                   | MUTTER  | 2                                |
| 53       | 22110275/0        | COPRIMOZZO                              | HUB CUP                                    | COUVRE MOYEU                            | RADKAPPE  | 2                                |
| 54       | 81007238/1        | RUOTA Ø210 GIALLA                       | YELLOW Ø210 WHEEL                          | ROUES Ø210 JAUNE                        | GELBES Ø210 RAD                                 | 2                                |
| 54A      | 81007234/1        | RUOTA Ø210 BIANCA                       | WHITE Ø210 WHEEL                           | ROUES Ø210 BLANCHE                      | WEISSES Ø210 RAD                                | 2                                |
| 55       | 22122200/0        | CUSCINETTO                              | BEARING                                    | COUSSINET                               | KUEGELLAGER                                     | 4                                |
| 56       | 12530150/0        | RONDELLA ELASTICA                       | ELASTIC WASHER                             | RONDELLE ELASTIQUE                      | ELASTISCHE SHEIBE                               | 2                                |
| 57       | 12521350/0        | RONDELLA                                | WASHER                                     | ECROU                                   | SCHEIBE   | 1                                |
| 58       | 12155000/0        | DADO                                    | NUT  | ECROU                                   | MUTTER  | 2                                |
| 59       | 22110275/0        | COPRIMOZZO                              | HUB CUP                                    | COUVRE MOYEU                            | RADKAPPE  | 2                                |
| 101      | 98004000/0        | ASS. SACCO IN TELA                      | CANVASS GRASSCATCHER<br>ASS'Y              | ENSEMBLE SAC EN TOILE                   | KOMPLETTER SACK                                 | 1                                |
| 102      | 81006408/0        | TELAIO                                  | CHASSIS                                    | CHASSIS                                 | RAHMEN  | 1                                |
| 103      | 81002105/0        | TELA SACCO                              | FABRIC BOX                                 | TOILE POUR SAC                          | TUCK FUER SACK                                  | 1                                |
| 111      | 98005000/0        | SACCO COMPLETO                          | COMPLETE GRASS-BOX                         | BAC COMPLET                             | KOMPLETTER KORB                                 | 1                                |
| 112      | 22486061/1        | PARTE SUP. SACCO                        | UPPER GRASSBOX                             | PARTIE SUP. BAC                         | KORB OBERTEIL                                   | 1                                |
| 113      | 22486060/0        | PARTE INF. SACCO                        | LOWER GRASSBOX                             | PARTIE INF. BAC                         | KORB UNTERTEIL                                  | 1                                |
| 114      | 22775170/1        | SUPPORTO SACCO                          | SUPPORT FOR GRASSBOX                       | SUPPORT BAC                             | KORB HALTER                                     | 2                                |
| 115      | 12789000/0        | VITE                                    | SCREW                                      | VIS                                     | SCHRAUBEN                                       | 4                                |
| 116      | 12521540/0        | RONDELLA                                | WASHER                                     | RONDELLE                                | SCHEIBE   | 4                                |
| 117      | 12154330/0        | DADO                                    | NUT  | ECROU                                   | MUTTER  | 4                                |
| 118      | 22381900/0        | MANIGLIA SACCO                          | GRASS CATCHER HANDLE                       | POIGNÉE BAC                             | KORBGRIF  | 1                                |
| 119      | 12791400/0        | VITE                                    | SCREW                                      | VIS                                     | SCHRAUBEN                                       | 2                                |
| 120      | 12523040/0        | RONDELLA                                | WASHER                                     | RONDELLE                                | SCHEIBE   | 2                                |
| 121      | 12582100/0        | GROWER                                  | GROWER                                     | GROWER                                  | FEDERRING                                       | 2                                |
| 122      | 12292100/0        | DADO                                    | NUT  | ECROU                                   | MUTTER  | 2                                |
| —        | 81008577/0        | DOTAZIONE SACCO                         | GRASS-BOX OUTFIT                           | DOTATION BAC                            | KORBAUSSTATTUNG                                 | 1                                |
| —        | 81008583/0        | DOTAZIONE VITERIA                       | SCREWS OUTFIT                              | DOTATION VISSERIE                       | SCHRAUBEN SATZ                                  | 1                                |