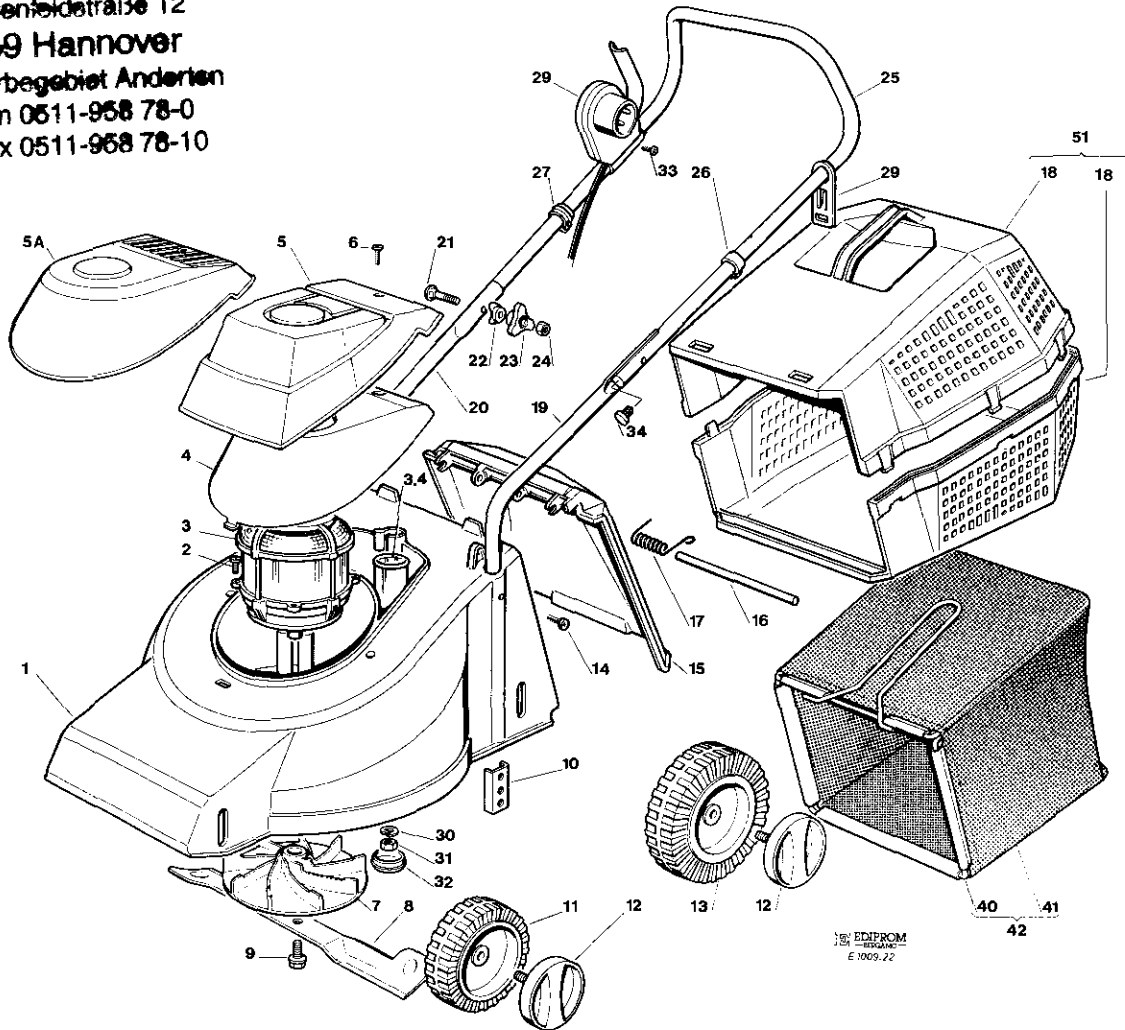


Mod. 1994

Szczesny GmbH
Owiadenfeldstraße 12
30559 Hannover
Gewerbegebiet Anderien
Telefon 0511-958 78-0
Telefax 0511-958 78-10



| Pos. Nr. | Codice Kodex Code | Descrizione | Description | Description | Beschreibung | Q.tà Q.ty Q.té Menge |
|----------|-------------------|-------------------------------|------------------------------|-------------------------------|------------------------------|-------------------------------|
| 1 | 81001480/0 | ASS. CHASSIS VERDE | DECK ASS'Y GREEN | ENS. CHASSIS VERT | GEHÄUSE SATZ GUEN | 1 |
| 1A | 81001481/0 | ASS. CHASSIS ROSSO | DECK ASS'Y RED | ENS. CHASSIS ROUGE | GEHAUSE SATZ ROT | 1 |
| 1B | 81001482/0 | ASS. CHASSIS GIALLO | DECK ASS'Y YELLOW | ENS. CHASSIS JAUNE | GEHÄUSE SATZ GELB | 1 |
| 2 | 12735410/0 | VITE | SCREW | VIS | SCHRAUBE | 4 |
| 3 | 18563050/0 | MOTORE IBMEI 1100W (220V) C/F | IBMEI MOTOR 1100W (220V) W/B | MOTEUR IBMEI 1100W (220V) A/F | MOTOR IBMEI 1100W (220V) M/B | 1 |
| 3A | 18398015/2 | FLANGIA INF. | LOWER FLANGE | BRIDE INF | UNTERFLANSCH | 1 |
| 3B | 18398025/3 | FLANGIA SUP. | UPPER FLANGE | BRIDE SUP. | OBERFLANSCH | 1 |
| 3-4 | 18222036/0 | CONDENSATORE | CONDENSER | CONDENSATEUR | KONDENSATOR | 1 |
| 4 | 22055032/0 | SUP. CAPOTTINA | COVER SUPPORT | SUPPORT CAPOT | HAUBEHALTER | 1 |
| 5 | 81002007/0 | ASS. COPOTTINA | CDVER ASS'Y | ENS. CAPOT | KOMPLETTE HAUBE | 1 |
| 5A | 81002006/0 | ASS. CAPOTTINA | COVER ASS'Y | ENS. CAPOT | KOMPLETTE HAUBE | 1 |
| 6 | 12728680/0 | VITE | SCREW | VIS | SCHRAUBE | 1 |
| 7 | 22465602/0 | MOZZO | HUB | MOYEU | HALTER | 1 |
| 8 | 81004117/0 | COLTELLO | BLADE | LAME | MESSER | 1 |
| 9 | 81004352/0 | VITE | SCREW | VIS | SCHRAUBE | 1 |
| 10 | 22785087/1 | SUPP. RUOTE | WHEELS SUPPORT | SUPPORT ROUES | RAEDEHALTER | 4 |
| 11 | 22686081/0 | RUOTA Ø130 | WHEEL Ø130 | ROUE Ø130 | RAD Ø130 | 2 |
| 12 | 81004348/0 | COPRIMOZZO BIANCO | HUB COVER WHITE | COUVRE-MOYEU BLANCHE | RADKAPPE WEIß | 4 |
| 12A | 81004347/0 | COPRIMOZZO GIALLO | YELLOW HUB CAP | COUVRE-MOYEU-JOUNE | RADKAPPE GELB | 4 |
| 13 | 22686082/0 | RUOTA Ø160 | WHEEL Ø160 | ROUE Ø160 | RAD Ø160 | 2 |
| 14 | 12728450/0 | VITE | SCREW | VIS | SCHRAUBE | 2 |
| 15 | 22600044/0 | PARASSASSI | STONE GUARD | PARE PIERRES | PRALLBLECH | 1 |

| Pos. Nr. | Codice Kodex Code | Descrizione | Description | Description | Beschreibung | Q. tà Q. ty Q. të Menge |
|-------------|-------------------------|---|--|--|---|----------------------------------|
| 16 | 22512601/0 | PERNO | PIN | PIVOT | BOLZEN | 1 |
| 17 | 22450250/0 | MOLLA | SPRING | RESSORT | FEDER | 1 |
| 18 | 22486069/0 | PARTE INF.-SUP. SACCO | UPPER.LOWER HANDLE | PARTIE SUP.-INF. BAC | OBER-UNTERKORB | 2 |
| 19 | 81006940/0 | MANICO INF. SX | L. LOWER HANDLE | MANCHERON INF. G. | L. UNTERHOLM | 1 |
| 20 | 81006939/0 | MANICO INF. DX | R. LOWER HANDLE | MANCHERON INF. D. | R. UNTERHOLM | 1 |
| 21 | 12819120/0 | VITE | SCREW | VIS | SCHRAUBE | 2 |
| 22 | 22680006/1 | RONDELLA | WASHER | RONDELLE | SCHIEBE | 2 |
| 23 | 22399900/0 | MANOPOLINA | NUT | POIGNEE | GRIFF | 2 |
| 24 | 12293200/0 | DADO | NUT | ECROU | MUTTER | 2 |
| 25 | 81006941/0 | PARTE SUP. MANICO | UPPER HANDLE | PARTIE SUP. MANCHERON | OBERHOLM | 1 |
| 26 | 22192150/0 | FERMACAVO | FAIRLEAD | FIXATION CABLE | KABELBEFESTIGUNG | 1 |
| 27 | 22192000/1 | FASCETTA ANCORAGGIO | ANCHOR CLAMP | BANDE ANCRGE GAINÉ | BOWDENZUGHALTER | 1 |
| 28 | 22195101/1 | FERMACAVO | FAIRLEAD | FIXATION CABLE | KABELBEFESTIGUNG | 1 |
| 29 | 18710561/0 | SALVAMOTORE MM CEE 7 AMP. (220/240V) | MOTOR PROTECTION MM CEE 7 AMP. (220/240V) | PROTEGE MOTEUR MM CEE 7 AMP. (220/240V) | MOTORSCHUTZSCHALTER MM CEE 7 AMP. (220/240V) | 1 |
| 29A | 18710608/0 | SALVAMOTORE MM SEV 7 AMP (220V) | MOTOR PRDTECTION MM SEV 7 AMP (220V) | PROTEGE MOTEUR MM SEV 7 AMP (220V) | MOTORSCHUTZSCHALTER 7 AMP (220V) | 1 |
| 30 | 12540060/0 | GROWER | GROWER | GROWER | FEDERRING | 1 |
| 31 | 12293200/0 | DADO | NUT | ECROU | NUTTER | 1 |
| 32 | 22110275/0 | TAPPO | CAP | BOUCHON | GUMMISTOPFEN | 1 |
| 33 | 12727970/0 | VITE | SCREW | VIS | SCHRAUBE | 2 |
| 34 | 18566112/0 | TAPPO | CAP | BOUCHON | GUMMISTOPFEN | 2 |
| 40 | 81006417/0 | TELAIO | DECK | CHASSIS | GEHÄUSE | 1 |
| 41 | 81002147/0 | SACCO TELA | FABRIC GRASSBOX | SAC EN TOILE | GRASSFANGSACK | 1 |
| 42 | 97007000/0 | ASS. SACCO TELA | CANVASS GRASSCATCHER ASS'Y | ENSEMBLE SAC EN TOILE | KOMPLETTER SACK | 1 |
| 51 | 97008000/0 | SACCO COMPLETO | COMPLETE GRASS-BOX | BAC COMPLET | KOMPLETTER KORB | 1 |
| — | 81008592/0 | DOTAZIONE VITERIA | SCREWS OUTFIT | DOTATION VISSERIE | SCHRAUBEN SATZ | 1 |