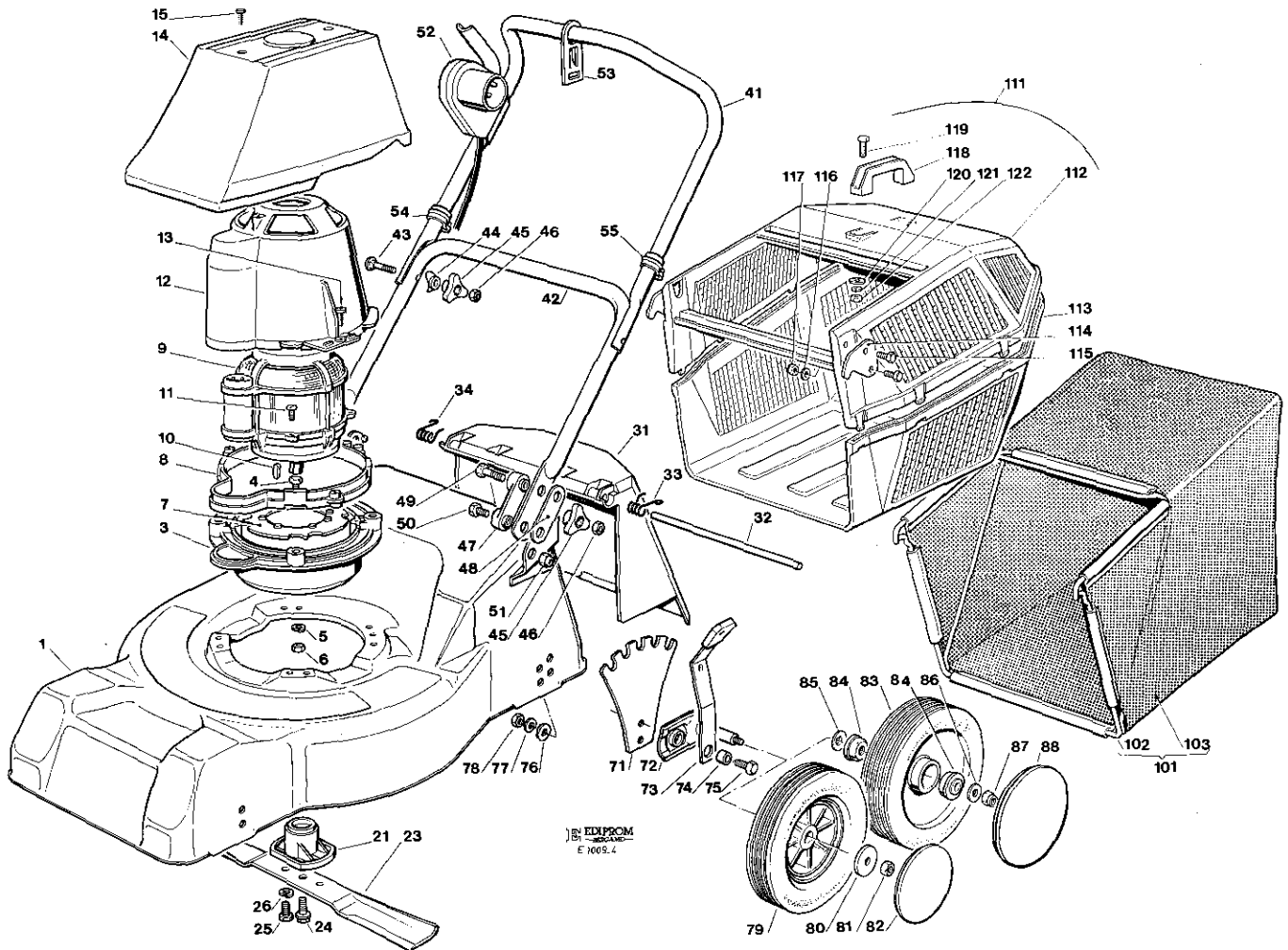


VISTE ESPLOSE
EXPLODED VIEWS

VUES ECLATEES
SPRENGZEICHNUNGEN

NG 460

Mod. 1994



| Pos. Nr. | Codice Kodx Code | Descrizione | Description | Description | Beschreibung | Q.tà Q.ty Q.tè Menge |
|----------|------------------|---|---|--|---|-------------------------------|
| 1 | 81001175/0 | CHASSIS ROSSO | RED DECK | CHASSIS ROUGE | ROT GEHÄUSE | 1 |
| 3 | 22207211/2 | FLANGIA | FLANGE | BRIDE | FLANSCH | 1 |
| 4 | 12793700/0 | VITE | SCREW | VIS | SCHRAUBE | 4 |
| 5 | 12583500/0 | GROWER | GROWER | FEDERRING | FEDERRING | 4 |
| 6 | 12293200/0 | DADO | NUT | ECROU | NUTTER | 4 |
| 7 | 22720360/1 | SCHERMO VENTILAZIDNE | VENTILATION SCREEN | ECRAU VENTILATION | ÜFTUNGSSCHIRM | 1 |
| 8 | 22174006/1 | DISTANZIALE | SPACER | ENTRETOISE | DISTANZIARING | 1 |
| 9 | 18563045/0 | MOTORE IBMEI 1500W (220V) S/F STATORE h. 60 mm | IBMEI MOTOR 1500W (220V) W/B STATOR h. 60 mm | MOTEUR IBMEI 1500W (220V) S/F STATDR h. 60 mm | MOTOR IBMEI 1500W (220V) O/B STATOR h. 60 mm | 1 |
| 9- | 18563046/0 | MOTORE IBMEI 1500W (220V) C/F STATORE h. 60 mm | IBMEI MDTOR 1500W (220V) W/B STATOR h. 60 mm | MOTEUR IBMEI 1500W (220V) A/F STATOR h. 60 mm | MOTOR IBMEI 1500W (220V) M/B STATOR h. 60 mm | 1 |
| 9- | 18563047/0 | MOTORE IBMEI 1500W (240V) C/F STATORE h. 60 mm | IBMEI MOTOR 1500W (240V) W/B STATOR h. 60 mm | MOTEUR IBMEI 1500W (240V) A/F STATOR h. 60 mm | MOTOR IBMEI 1500W (240V) M/B STATOR h. 60 mm | 1 |
| 9- | 18563006/0 | MOTORE RST 1500W (220V) C/F | RST MOTOR 1500W (220V) W/B | MOTEUR RST 1500W (220V) A/F | MOTOR RST 1500W (220V) M/B | 1 |
| 9A | 18222037/0 | CONDENSATORE 16 µF | CONDENSER 16 µF | CONDENSEUR 16 µF | KONDENSATOR 16 µF | 1 |
| 9B | 18740049/0 | VENTOLA PER MOTORE IBMEI | IBMEI ENGINE FAN | VENTILATEUR MOTEUR IBMEI | IBMEI LÜFTER | 1 |
| 9C | 18398015/1 | FLANGIA INFERIORE IBMEI | LOWER FLANGE IBMEI | BRIDE INF. IBMEI | UNTER FLANSCH IBMEI | 1 |
| 9D | 1839802552 | FLANGIA SUPERIORE IBMEI | UPPER FLANGE IBMEI | BRIDE SUP. IBMEI | OBER FLANSCH IBMEI | 1 |
| 10 | •12139440/0 | LINGUETTA | FEATHER | CLAVETTE | KEIL | 1 |
| 11 | 12730000/0 | VITE | SCREW | VIS | SCHRAUBE | 4 |
| 12 | 22785060/1 | SUPPORTO CAPPOTTINA | COVER SUPPORT | SUPPORT CAPOT | HAUBEHALTER | 1 |
| 13 | 12728710/0 | VITE | SCREW | VIS | SCHRAUBE | 4 |

CN 71503204/0

Printed in Italy by TYP'OO

| Pos. Nr. | Codice Kodex Code | Descrizione | Description | Description | Beschreibung | Q.tà Q.ty Q.tè Menge |
|----------|-------------------|---|---|---|--|-------------------------------|
| 14 | 81002055/0 | ASS. CAPPOTTINA | COVER ASS'Y | ENS. CAPOT | KOMPLETTE HAUBE | 1 |
| 15 | 12728680/0 | VITE | SCREW | VIS | SCHRAUBE | 2 |
| 21 | 22463186/1 | MOZZO | HUB | MOYEU | HALTER | 1 |
| 23 | 81004365/1 | COLTELLO STANDARD | STANDARD BLADE | LAME STANDARD | STANDARD MESSER | 1 |
| 23A | 81004232/2 | COLTELLO ALETTATO | WINGS BLADE | LAME À AILETTES | FLUEGEL MESSER | 1 |
| 24 | 81004352/0 | VITE | SCREW | VIS | SCHRAUBE | 1 |
| 25 | 12793101/0 | VITE | SCREW | VIS | SCHRAUBE | 2 |
| 26 | 12583500/0 | GROWER | GROWER | GROWER | FEDERING | 2 |
| 31 | 22600028/2 | PARASASSI | STONE-GUARD | PARE-PIERRES | PRALLBLECH | 1 |
| 32 | 22517906/0 | PERNO | PIN | PIVOT | BOLZEN | 1 |
| 33 | 22450420/1 | MOLLA SX | LEFT SPRING | RESSORT GAUCHE | LINKE FEDER | 1 |
| 34 | 22450410/1 | MOLLA DX | RIGHT SPRING | RESSORT DROITE | RECHTE FEDER | 1 |
| 41 | 81006933/1 | PARTE SUP. MANICO | UPPER HANDLE | PARTIE SUP. MANCHERON | HOLMOBERTEIL | 1 |
| 42 | 81006512/0 | PARTE INF. MANICO | LOWER HANDLE | PARTIE INF. MANCHERON | HOLMUNTERTEIL | 1 |
| 43 | 12819201/0 | VITE | SCREW | VIS | SCHRAUBE | 2 |
| 44 | 22680006/1 | RONDELLA | WASCHER | RONDELLE | SCHIBE | 3 |
| 45 | 22399900/0 | MANOPOLINA | KNOB | POIGNEE | GRIFF | 4 |
| 46 | 12293200/0 | DADO | NUT | ECROU | MUTTER | 4 |
| 47 | 22551575/0 | PIASTRINA INTERNA | INSIDE PLAQUE | PLAQUETTE INTERNE | ISOLIERPLATTE | 2 |
| 48 | 22551574/0 | PIASTRINA ESTERNA | OUTSIDE PLAQUE | PLAQUETTE EXTERNE | ISOLIERPLATTE | 2 |
| 49 | 12793301/0 | VITE | SCREW | VIS | SCHRAUBE | 2 |
| 50 | 12691115/0 | VITE | SCREW | VIS | SCHRAUBE | 2 |
| 51 | 12155000/0 | DADO | NUT | ECROU | MUTTER | 2 |
| 52 | 18710610/0 | SALVAMOTDRE CEE 9,5 AMP (220V RST) (240V IBMEI) | SWITCH CEE 9,5 AMP (220V RST) (240V IBMEI) | INTERRUPTEUR CEE 9,5 AMP (220V RST) (240V IBMEI) | SCHALTER CEE 9,5 AMP (220V RST) (240V IBMEI) | 1 |
| 52A | 18710604/0 | SALVAMOTORE CEE 10 AMP (220V) IBMEI | SWITCH CEE 10 AMP (220V) IBMEI | INTERRUPTEUR CEE 10 AMP (220V) IBMEI | SCHALTER CEE 10 AMP (220V) IBMEI | 1 |
| 52B | 18710609/0 | SALVAMOTORE SEV 9,5 AMP (220V) RST SDLO PER SVIZZERA | SWITCH SEV 9,5 AMP (220V) RST ONLY SWITZERLAND | INTERRUPTEUR SEV 9,5 AMP (220V) RST SEULEMENT POUR LA SUISSE | SCHALTER SEV 9,5 AMP (220V) RST NUR FÜR SCHWEIZ | 1 |
| 52C | 18710572/0 | SALVAMOTORE SEV 10 AMP (220V) IBMEI SOLO PER SVIZZERA | SWITCH SEV 10 AMP (220V) IBMEI ONLY SWITZERLAND | INTERRUPTEUR SEV 10 AMP (220V) IBMEI SEULEMENT POUR LA SUISSE | SCHALTER SEV 10 AMP (220V) IBMEI NUR FÜR SCHWEIZ | 1 |
| 53 | 22195101/1 | FERMACAVO | FAIR-LEAD | SERRE-CABLE | KABELSCHELLE | 1 |
| 54 | 22192000/1 | FASCETTA ANCORAGGIO | ANCHOR CLAMP | COLLIER ANGRAGE | BEFESTIGUNGSSCHELLE | 2 |
| 71 | 22735537/0 | SETTORE REGOLAZIONE | ADJUSTERS SECTOR | SECTEUR REGLAGE | VERSTELLUNGSSEKTOR | 4 |
| 72 | 81005082/0 | SUPPORTO RUOTA | WHEEL SUPPORT | SUPPORT ROUW | RADHALTER | 4 |
| 73 | 81003272/0 | ASS. LEVA REGOLAZIONE | ADJ. LEVER UNIT | ENS. LEVIER REGLAGE | VERSTELLUNGSHEBELSATZ | 4 |
| 74 | 22171001/0 | DISTANZIALE | SPACER | ENTRETOISE | DISTANZRING | 4 |
| 75 | 12793701/0 | VITE | SCREW | VIS | SCHRAUBE | 4 |
| 76 | 12523070/0 | RONDELLA | WASHER | RONDELLE | SCHIBE | 4 |
| 77 | 12583500/0 | GROWER | GROWER | GROWER | FEDERING | 4 |
| 78 | 12293200/0 | DADO | NUT | ECROU | MUTTER | 4 |
| 79 | 81003027/0 | RUOTA Ø170 NERA | BLACK Ø170 WHEEL | ROUE Ø170 NOIRE | SCHWARZE Ø170 - RAD | 4 |
| 80 | 12523060/0 | RONDELLA | WASHER | RONDELLE | SCHIBE | 4 |
| 81 | 12293201/0 | DADO | NUT | ECROU | MUTTER | 4 |
| 82 | 22110272/0 | COPRIMOZZO BIANCO | WHITE HUBCAP | COUVRE-MOYEU BLANCHE | RADKAPPE WEISS | 4 |
| | | VARIANTI RUOTE Ø170 SU CUSCINETTI | WHEELS VARIANTS Ø170 ON BALL BEARINGS | VARIANTS ROUES Ø170 SUR ROULEMENT | ÄNDERUNGEN AUF RÄDER Ø 170 MIT KUGELLAGER | |
| 83 | 81007311/0 | RUOTA NERA | BLACK WHEEL | ROUE NOIRE | SCHWARZE RAD | 4 |
| 84 | 22122200/0 | CUSCINETTO | BEARING | ROULEMENT | KUGELLAGER | 8 |
| 85 | 12530150/0 | RONDELLA ELASTICA | ELASTIC WASHER | RONDELLE ELASTIQUE | ELASTISCHE SCHEIBE | 4 |
| 86 | 12521350/0 | RONDELLA | WASHER | RONDELLE | SCHIBE | 4 |
| 87 | 12155000/0 | DADO | NUT | ECROU | MUTTER | 4 |
| 88 | 22110262/0 | COPRIMOZZO BIANCO | WHITE HUBCAP | COUVRE-MOYEU BLANCHE | BADKAPPE WEISSE | 4 |
| 101 | 98004000/0 | ASS. SACCO IN TELA | CANVASS GRASSCATCHER ASS'Y | ENSEMBLE SAC EN TOILE | KOMPLETTER SACK | 1 |
| 102 | 81006408/0 | TELAIO | CHASSIS | CHASSIS | RAHMEN | 1 |
| 103 | 81002105/1 | TELA SACCO | FABRIC BOX | TOILE POUR SAC | TUCK FUER SACK | 1 |
| 111 | 98005000/0 | SACCO COMPLETO | COMPLETE GRASS-BOX | BAC COMPLET | KOMPLETTER KORB | 1 |
| 112 | 22486061/1 | PARTE SUP. SACCO | UPPER GRASSBOX | PARTIE SUP. BAC | KORB OBERTEIL | 1 |
| 113 | 22486060/0 | PARTE INF. SACCO | LOWER GRASSBOX | PARTIE INF. BAC | KORB UNTERTEIL | 1 |
| 114 | 22775170/1 | SUPPORTO SACCO | SUPPORT FOR GRASSBOX | SUPPORT BAC | KORB HALTER | 2 |
| 115 | 12789000/0 | VITE | SCREW | VIS | SCHRAUBEN | 4 |
| 116 | 12521540/0 | RONDELLA | WASHER | RONDELLE | SCHIBE | 4 |
| 117 | 12154330/0 | DADO | NUT | ECROU | MUTTER | 4 |
| 118 | 22381900/0 | MANIGLIA SACCO | GRASS CATCHER HANDLE | POIGNÉE BAC | KORBGRIF | 1 |
| 119 | 12791400/0 | VITE | SCREW | VIS | SCHRAUBEN | 2 |
| 120 | 12523040/0 | RONDELLA | WASHER | RONDELLE | SCHIBE | 2 |
| 121 | 12582100/0 | GROWER | GROWER | GROWER | FEDERING | 2 |
| 122 | 12292100/0 | DADO | NUT | ECROU | MUTTER | 2 |
| — | 81008577/0 | DOTAZIONE SACCO | GRASS-BOX OUTFIT | DOTATION BAC | KORBAUSSTATTUNG | 1 |
| — | 81008596/0 | DOTAZIONE VITERIA | SCREWS OUTFIT | DOTATION VISSERIE | SCHRAUBEN SATZ | 1 |