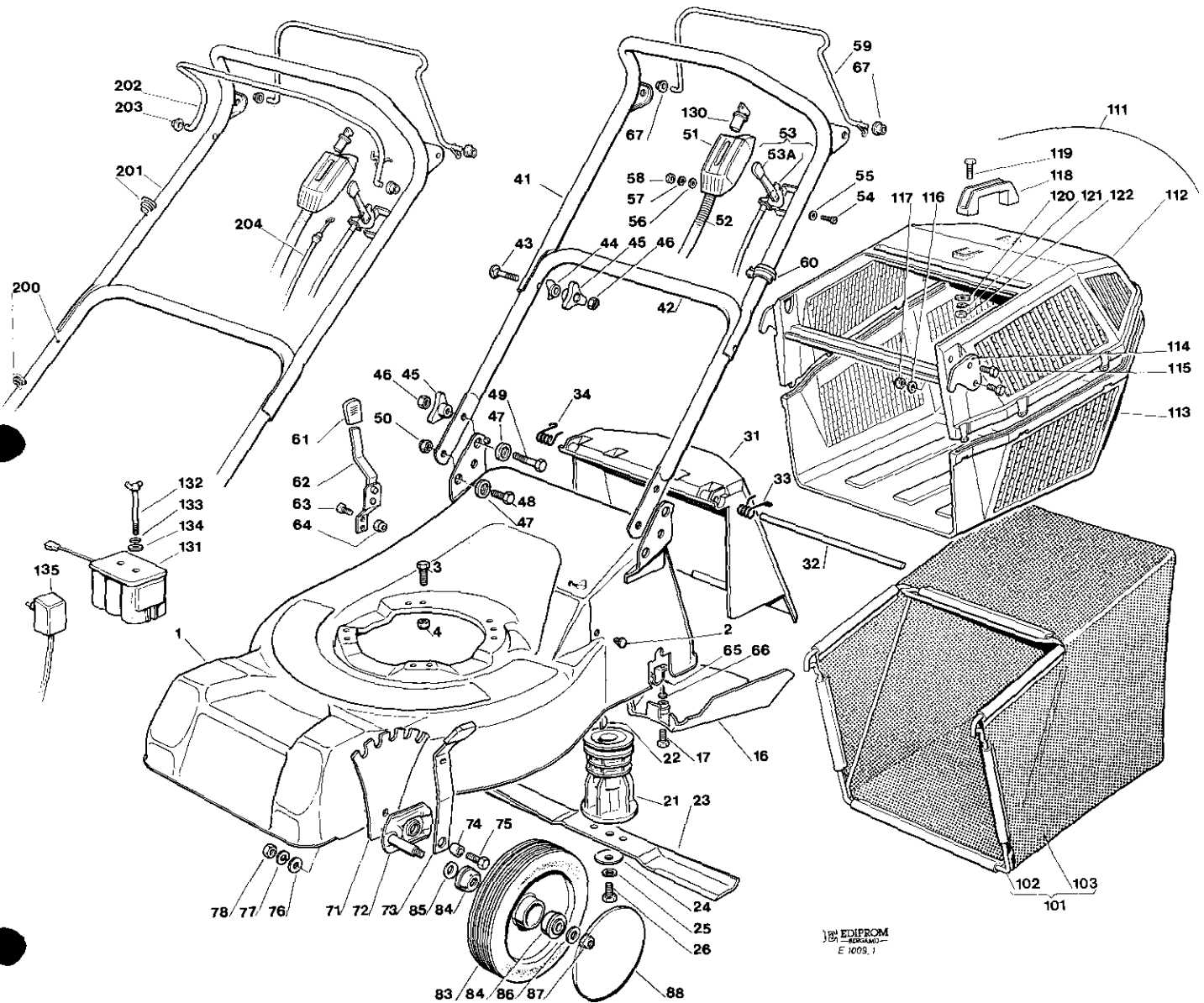


VISTE ESPLOSE
EXPLODED VIEWS

VUES ECLATEES
SPRENGZEICHNUNGEN

NG 464 TR
NG 464 TR-E 001

Mod. 1994



Pos. Nr.	Codice Kodex Code	Descrizione	Description	Description	Beschreibung	Q.tà Q.ty Q.tè Menge
1	81001176/0	CHASSIS ROSSO	RED DECK	CHASSIS ROUGE	ROTE GEHÄUSE	1
2	18737848/0	TAPPO	CAP	BOUCHON	GUMMISTOPFEN	1
3	12793700/0	VITE (M8x30)	SCREW (M8x30)	VIS (M8x30)	SCHRAUBE (M8x30)	3/2
3A	12793900/0	VITE (M8x60)	SCREW (M8x60)	VIS (M8x60)	SCHRAUBE (M8x60)	0/1
4	12293201/0	DADO	NUT	ECROU	MUTTER	3/2
4A	12155000/0	DADO	NUT	ECROU	MUTTER	0/1
16	22060145/0	CARTER	DECK	CHASSIS	CHASSIS	
17	12727791/0	VITE	SCREW	VIS	SCHRAUBE	1
21	22465607/0	MOZZO CON PULEGGIA (PP 62 Ø22)	HUB WITH PULLEY (PP 62 Ø22)	MOYEU AVEC POULIE (PP 62 Ø22)	NABE MIT SCHEIBE (PP 62 Ø22)	1
21A	22465608/0	MOZZO CON PULEGGIA (PP 62 Ø25)	HUB WITH PULLEY (PP 62 Ø25)	MOYEU AVEC POULIE (PP 62 Ø25)	NABE MIT SCHEIBE (PP 62 Ø25)	1
22	12139100/0	LINGUETTA (PP Ø22)	FEATHER (P.T.O. Ø22)	CLAVETTE (P.F. Ø22)	KEIL (MW Ø22)	1
22A	12139100/0	LINGUETTA (PP Ø25)	FEATHER (P.T.O. Ø25)	CLAVETTE (P.F. Ø25)	KEIL (MW Ø25)	1
23	81004365/1	COLTELLO STANDARD	STANDARD BLADE	LAME STANDARD	STANDARD MESSER	1
23A	81004232/2	COLTELLO ALETTATO	WINGED BLADE	LAME AILETTE	FLUEGELMESSER	1
24	22160400/0	RONDELLA ELASTICA	ELASTIC WASHER	RONDELLE ELASTIQUE	ELASTISCHE SCHEIBE	1
25	12523080/0	RONDELLA	WASHER	RONDELLE	SCHEIBE	1
26	12735698/0	VITE (PP 62)	SCREW (P.T.O. 62)	VIS (P.F. 62)	SCHRAUBE (MW 62)	1

Pos. Nr.	Codice Kodex Code	Descrizione	Description	Description	Beschreibung	Q.tà Q.ty Q.tè Menge
31	22600028/2	PARASSASSI	STONE GUARD	PARE PIERRES	PRALLBLECH	1
32	22517906/0	PERNO FULCRO	PIN	PIVOT	BOLZEN	1
33	22450420/1	MOLLA SX	L. SPRING	RESSORT GAUCHE	L. FEDER	1
34	22450410/1	MOLLA DX	R. SPRING	RESSORT DROITE	R. FEDER	1
41	81006971/0	PARTE SUP. MANICO	UPPER HANDLE	PARTIE SUP. MANCHERON	OBERHOLM	1
42	81006512/0	PARTE INF. MANICO	LOWER HANDLE	PARTIE INF. MANCHERON	UNTERHOLM	1
43	12819201/0	VITE	SCRW	VIS	SCHRAUBE	2
44	22680006/1	RONDELLA	WASHER	RONDELLE	SCHEIBE	2
45	22399900/0	MANOPOLINA	HANDGRIP	POIGNEE	GRIFF	4
46	12293200/0	DADO	NUT	ECROU	MUTTER	4
47	22041955/0	BUSSOLA	BUSH	DOUILLE	HUELSE	4
48	12792610/0	VITE	SCREW	VIS	SCHRAUBE	2
49	12793700/0	VITE	SCREW	VIS	SCHRAUBE	2
50	12155000/0	DADO	NUT	ECROU	MUTTER	2
51	22120142/0	CRUSCOTTO TR	DASH BOARD TR	CONSOLE TR	KDNSOLE TR	1
51A	22120143/0	CRUSCOTTO (TR/ES)	DASH BOARD (TR/ES)	CONSOLE (TR/ES)	KONSOLE (TR/ES)	1
52*	18204190/0	ASS CABLAGGIO	CABLES ASS'Y	ENS. CABLAGE	KABEL SATZ	1
53	81007048/0	ASS. ACC. UNIVERSALE	THRITTLE UNIT	ENS. ACCELERATEUR	BESCHLEUNIGER	1
54	12791400/0	VITE	SCREW	VIS	SCHRAUBE	1
55	12521330/0	RONDELLA	WASHER	GROWER	SCHEIBE	2
56	12523040/0	RONDELLA	WASHER	GROWER	SCHEIBE	2
57	12582100/0	GROWER	GROWER	GROWER	FEDERRING	2
58	12292100/0	DADO	NUT	ECROU	MUTTER	2
59	81003288/0	LEVA TRAZIONE	DRIVING LEVER	LEVIER TRACTION	ANTRIEBHEBEL	1
60	22192000/1	FASCETTA ANCORAGGIO	ANCHOR CLAMP	CDLLIER ANCRAGE	BOWDENZUGHATER	2
61	22397000/0	MANOPOLA	KNOB	POIGNEE	GRIF	1
62	81003279/0	LEVA	LEVIER	LEVIER	HEBEL	1
63	12789000/0	VITE	SCREW	VIS	SCHRAUBE	2
64	12154330/0	DADO	NUT	ECROU	MUTTER	2
65	22545152/0	PIASTRINA	PLATE	PLAQUETTE	PLATTE	2
66	12731350/0	VITE	SCREW	VIS	SCHRAUBEN	4
67	22041965/0	BUSSOLA	BUSH	DOUILLE	BÜCHSE	2
71	22735537/0	SETTORE	UNIT	SECTEUR	SECTOR	2
72	81005082/0	SUPP. RUOTA	WHEEL SUPPORT	SUPPORT ROUE	RADHALTER	2
73	81003273/0	ASS. LEVA	LEVER UNIT	ENS. LEVIER	KOMPLETTE HEBEL	2
74	22171001/0	DISTANZIALE	SPACER	ENTRETOISE	DISTANZRING	2
75	12793701/0	VITE	SCREW	VIS	SCHRAUBE	2
76	12523070/0	RONDELLA	WASHER	RONDELLE	SCHEIBE	2
77	12583500/0	GROWER	GROWER	GROWER	FEDERRING	2
78	12293200/0	DADO	NUT	ECROU	MUTTER	2
83	81007311/0	RUOTA Ø170	WHEEL Ø170	ROUE Ø170	RAD Ø170	2
84	22122200/0	CUSCINETTO	BEARING	ROULEMENT	KUEGELLAGER	2
85	12530150/0	RONDELLA ELASTICA	ELASTIC WASHER	RONDELLE ELASTIQUE	ELASTISCHE SCHEIBE	2
86	12521350/0	RONDELLA	WASHER	RONDELLE	SCHEIBE	2
87	12155000/0	DADO	NUT	ECROU	MUTTER	2
88	22110263/0	COPRIMOZZO	HUBCAP	COUVRE-MOYEU	RADKAPPE	2
101	98004000/0	ASS. SACCO IN TELA	CANVASS GASSCATCHER ASS'Y	ENSEMBLE SAC EN TOILE	KOMPLETTER SACK	1
102	81006408/0	TELAIO	CHASSIS	CHASSIS	RAHMEN	1
103	81002105/1	TELA SACCO	FABRIC BOX	TOILE POUR SAC	TUCK FUER SACK	1
111	98005000/0	SACCO COMPLETO	COMPLETE GRASS-BOX	BAC COMPLET	KOMPLETTER KORB	1
112	22486061/1	PARTE SUP. SACCO	UPPER GRASSBOX	PARTIE SUP. BAC	KORB OBERTEIL	1
113	22486060/0	PARTE INF. SACCO	LOWER GRASSBOX	PARTIE INF. BAC	KORB UNTERTEIL	1
114	22775170/1	SUPPORTO SACCO	SUPPORT FOR GRASSBOX	SUPPORT BAC	KORB HALTER	2
115	12789000/0	VITE	SCREW	VIS	SCHRAUBEN	4
116	12521540/0	RONDELLA	WASHER	RONDELLE	SCHEIBE	4
117	12154330/0	DADO	NUT	ECROU	MUTTER	4
118	22381900/0	MANIGLIA SACCO	GRASS CATCHER HANDLE	POIGNÉE BAC	KORBGRIFF	1
119	12791400/0	VITE	SCREW	VIS	SCHRAUBEN	2
120	12523040/0	RONDELLA	WASHER	RONDELLE	SCHEIBE	2
121	12582100/0	GROWER	GROWER	GROWER	FEDERRING	2
122	12292100/0	DADO	NUT	ECROU	MUTTER	2
—	81008577/0	DOTAZIONE SACCO	GRASS-BOX OUTFIT	DOTATION BAC	KORBAUSSTATTUNG	1
—	81008595/0	DOTAZIONE VITERIA	SCREWS OUTFIT	DOTATION VISSERIE	SCHRAUBEN SATZ	1
130*	18450050/0	INTERUTTORE	SWITCH	INTERRUPTEUR	SCHALTER	1
131*	18120050/0	BATTERIA	BATTERY	BATTERIE	BATTERIE	1
132	22517855/0	PERNO	PIN	PIVOT	BOLZEN	2
133	12523000/0	RONDELLA	WASHER	GROWER	SCHEIBE	2
134	12540020/0	RONDELLA	WASCHER	GROWER	SCHEIBE	2
135*	18204110/0	CARICA BATTERIA	BATTERY CHARGER	CHARGEUR DE BETTERIE	LADGERAET	1

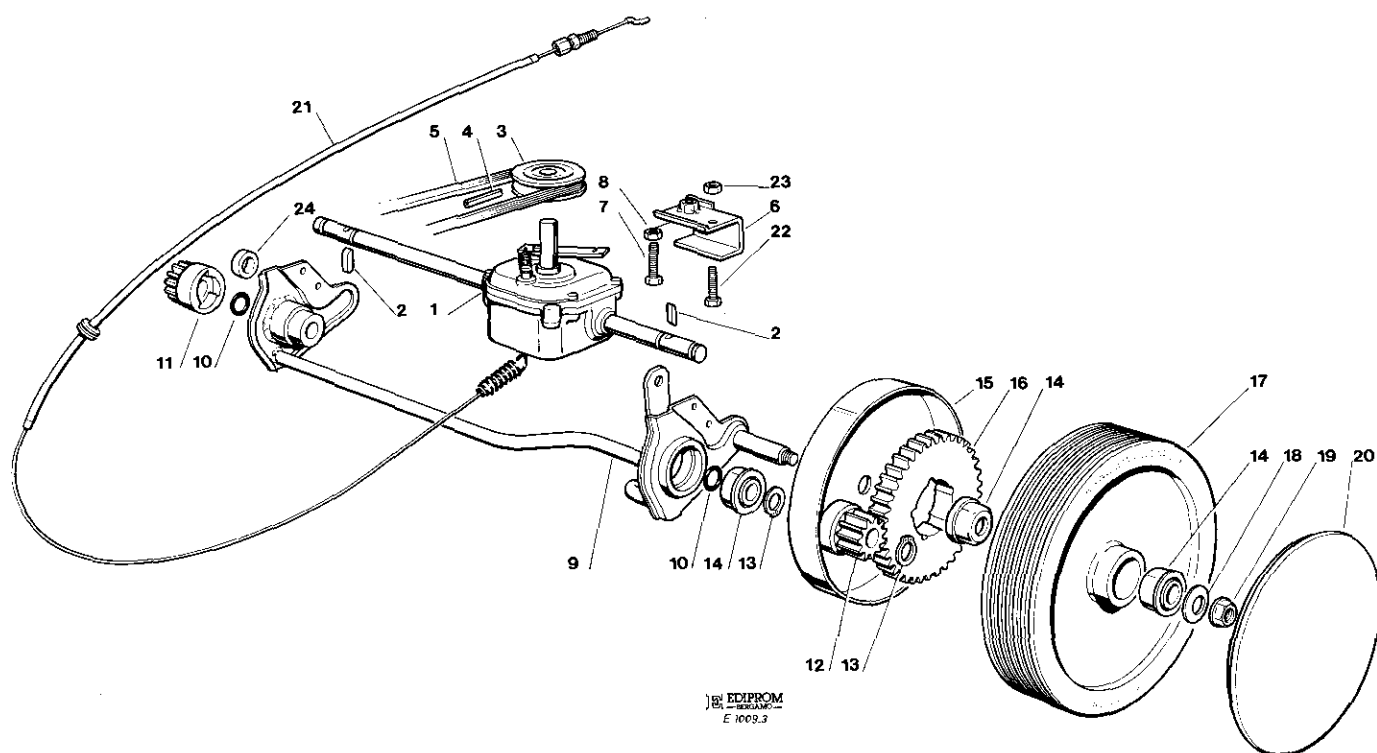
VARIANTI FRENO MOTORE E AVVIAMENTO SU MANICO

VARIANTS FOR ENGINE BRAKE AND STARTING ON HANDLE

VARIATIONS POUR FREIN-MOTEUR ET DÉMARRAGE SUR MANCHERON

ÄNDERUNGEN FÜR MOTORBREMSSE UND ANLASSEN AUF HOLM

200	81006514/0	PARTE INF. MANICO	LOWER HANDLE	PARTIE INF. MANCHERON	UNTERHOLM	1
201	81006969/0	PARTE SUP. MANICO	UPPER HANDLE	PARTIE SUP. MANCHERON	OBERHOLM	1
202	81003289/0	ASS. LEVA FRENO MOTORE	BRAKE LEVER ASSY'	LEVIER FREIN MOTEUR	MOTORBREMSSEHEBEL	1
203	22041966/0	BUSSOLA	BUSH	DOUILLE	BÜCHSE	2
204	81000621/0	ASS. CAVO FRENO MOTORE SPRINT 375	THREAD MOTOR BRAKE ASSY' SPRINT 375	CABLE FREIN MOTEUR SPRINT 375	MOTORBREMSSEKABEL SPRINT 375	1
204A	81001105/0	ASS. CAVO FRENO MOTORE QUANTUM XM	THREAD MOTOR BRAKE ASSY' QUANTUM XM	CABLE FREIN MOTEUR QUANTUM XM	MOTORBREMSSEKABEL QUANTUM XM	1
204B	81001107/0	ASS. CAVO FRENO MOTORE TECUMSEH	THREAD MOTOR BRAKE ASSY' TECUMSEH	CABLE FREIN MOTEUR TECUMSEH	MOTORBREMSSEKABEL TECUMSEH	1



Pos. Nr.	Codice Kodex Code	Descrizione	Description	Description	Beschreibung	Q.tà Q.ty Q.té Menge
1	18652002/0	GRUPPO TRAZIONE (PLASTICA)	REAR DRIVE (PLASTIC)	GROUPE TRACTION (PLASTIQUE)	RIEMEN (KUNSTSTOFF)	1
1A	18652012/0	GRUPPO TRAZIONE (ALLUMINIO)	REAR DRIVE (ALUMINIUM)	GROUPE TRACTION (ALUMINIUM)	RIEMEN (ALUMINIUM)	1
2	22328600/1	LINGUETTA DI TRASCINAMENTO	DRIVING KEY	CLAVETTE	MITNEHMERLAPPEN	2
3	22601904/0	PULEGGIA 4 KM/H	PULLEY 4 KM/H	POULIE 4 KM/H	RIEMENSCHIEBE 4 KM/H	1
4	12645705/0	SPINA	PIN	GOUPILLE	STIFT	1
5	35063800/0	CINGHIA (Z 27)	BELT (Z 27)	COURROIE (Z 27)	RIEMEN (Z 27)	1
6	81005104/0	SUPPORTO TRAZIONE	SUPPORT	SUPPORT	ANTRIEBHALTER	1
7	12793700/0	VITE	SCREW	VIS	SCHRAUBE	1
8	12523060/0	RONDELLA	WASHER	ECROU	SCHIEBE	1
9	81001252/1	ASSE RUOTE PDST.	REAR WHEELS AXLE	AXE ROUES ARR.	HINTERRAEDER ACHSE	1
10	12019900/0	ANELLO OR	OR RING	BAGUE OR	RING	2
11	22570110/0	PIGNONE DX	RIGHT PINION	PIGNON DROITE	L. RITZEL	1
12	22570120/0	PIGNONE SX	LEFT PINION	PIGNON GAUCHE	R. RITZEL	1
13	12608600/0	SEEGER	SEEGER	SEEGER	SEEGER	4
14	22122200/0	CUSCINETTO	BEARING	ROULEMENT	KUEGELLAGER	6
15	81006846/0	PROTEZIONE RUOTE	WHEEL GUARD	PRDTECTION ROUE	RAEDERSCHUTZ	2
16	22120105/1	CORONA	RING GEAR	CDURONNE	KRANZ	2
17	81007313/0	RUDTA Ø210 NERA	BLACK Ø210 WHEEL	ROUES Ø210 NOIRE	SCHWARZE Ø210 RAD	2
18	12369500/0	RONDELLA	WASHER	RONDELLE	SCHIEBE	2
19	12155000/0	DADO	NUT	ECROU	MUTTER	2
20	22110266/0	COPRIMOZZO	HUB COVER	COUVRE MOYEU	RADKAPPE	2
21	81001140/0	ASS. COMANDO TRAZIONE	REAR DRIVE UNIT	ENS. GROUPE TRACTION	ANTRIEB	1
22	12689515/0	VITE	SCREW	VIS	SCHRAUBE	1
23	12154500/0	DADO	NUT	ECROU	MUTTER	1
24	22170800/0	DISTANZIALE	SPACER	ENTRETOISE	DISTANZRING	1