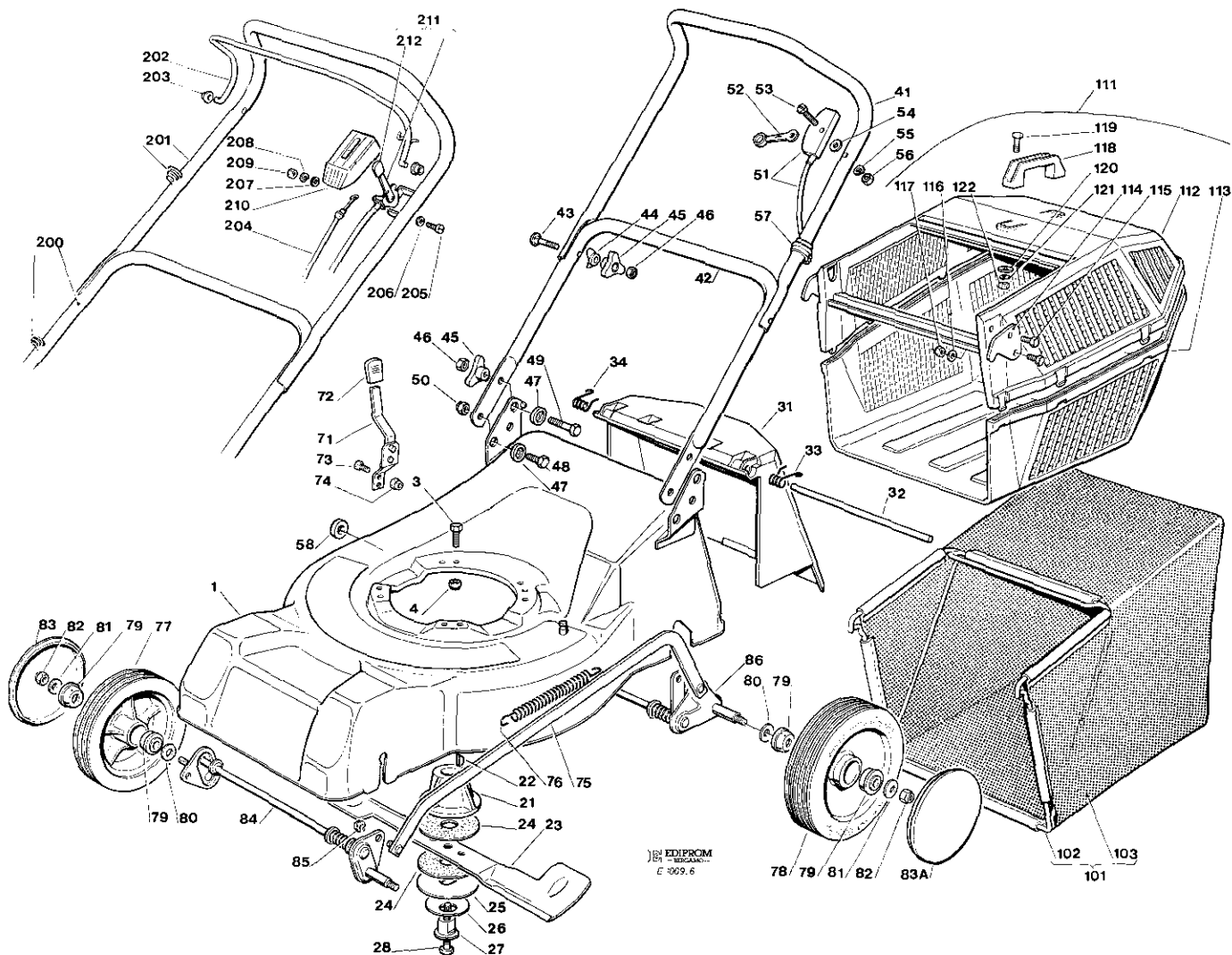


VISTE ESPLOSE
EXPLODED VIEWS

VUES ECLATEES
SPRENGZEICHNUNGEN

NG 504

Mod. 1994



EDIPROM
E 3069.6

Pos. Nr.	Codice Kodx Code	Descrizione	Description	Description	Beschreibung	Q.tà Q.ty Q.tè Menge
1	81001289/0	CHASSIS RDSSO	RED DECK	CHASSIS ROUGE	ROT GEHÄUSE	1
3	12793700/0	VITE (M8x30)	SCREW (M8x30)	VIS (M8x30)	SCHRAUBE (M8x30)	3/2
3A	12793900/0	VITE (M8x60)	SCREW (M8x60)	VIS (M8x60)	SCHRAUBE (M8x60)	0/1
4	12293201/0	DADD	NUT	ECROU	MUTTER	3/2
4A	12155000/0	DADD	NUT	ECRDU	MUTTER	0/1
21	22463019/0	MDZZO (PP 62 Ø22)	HUB (PTO 62 Ø22)	MOYEU (PF 62 Ø22)	HALTER (MW 62 Ø22)	1
21B	22463021/0	MOZZO (PP 62 Ø25)	HUB (PTD 62 Ø25)	MOYEU (P.F. 62 Ø25)	HALTER (MW 62 Ø25)	1
22	12139100/0	LINGUETTA (PP Ø22)	KEY (PTO Ø22)	CLAVETTE (PF Ø22)	KEIL (MW Ø22)	1
22A	12139150/0	LINGUETTA (PP Ø25)	KEY (PTO Ø25)	CLAVETTE (PF Ø25)	KEIL (MW Ø25)	1
23	81004395/1	COLTELLO ALETTATO	WINGED BLADE	LAME AILETTE	FLUEGELMESSER	1
24	22672110/1	RDNDILLA	WASHER	RONDELLE	SCHIBE	2
25	22672105/0	RONDELLA	WASHER	RONDELLE	SCHIBE	1
26	12508120/0	MOLLA TAZZA	CONICAL SPRING	RESSORT	TELLERFEDER	1
27	22041940/0	BUSSOLA	BUSH	DOUILLE	SCHIBE	1
28	12736850/0	VITE (PP 62)	SCREW (PTD 62)	VIS (PF 62)	SCHRAUBE (MW 62)	1
31	22600028/2	PARASSASSI	STONEGUARD	PARE-PIERRES	PRALLBLECH	1
32	22517906/0	PERNO	PIN	PIVOT	BDLZEN	1
33	22450420/1	MOLLA SX	L. SPRING	RESSOR GAUCHE	L. FEDER	1

Pos. Nr.	Codice Kodx Code	Descrizione	Description	Description	Beschreibung	Q.tà Q.ty Q.té Menge
34	22450410/1	MOLLA DX	R. SPRING	RESSORT DROITE	R. FEDER	1
41	81006904/0	PART. SUP. MANICO	UPPER HANDLE	PARTIE SUP. MANCHERON	OBERGHOLM	1
42	81006990/0	PARTE INF. MANICO	LOWER HANDLE	PARTIE INF. MANCHERON	UNTERHOLM	4
43	12819201/0	VITE	SCREW	VIS	SCHRAUBE	2
44	22680006/1	RONDELLA	WASHER	GROWER	SCHLEIBE	2
45	22399900/0	MANDPOLINA	HANDGRIP	POIGNEE	GRIFF	4
46	12293200/0	DADO	NUT	ECROU	MUTTER	4
47	22041955/0	BUSSOLA	BUSH	DOUILLE	HUELSE	2
48	12792610/0	VITE	SCREW	VIS	SCHRAUBE	2
49	12793700/0	VITE	SCREW	VIS	SCHRAUBE	2
50	12155000/0	DADO	NUT	ECROU	MUTTER	2
51	81007041/0	ASS. ACC. ECON. UNIV. SX	ACCELERATOR UNIT LEFT	ACCELER. UNIVER	DROITE BILLIGER-LINK. BESCHLEUNIGER	1
51A	81007042/0	ASS. ACC. ECDN. UNIV. DX	ACCELERATOR UNIT RIGHT	ACCEL. UNIVER. GAUCHE	BILLIGER-RICT. BESCHLEUNIGER	1
52	81007250/0	ASS. LEVA	LEVER UNIT	ENS. LEVIER	KOMPLETTE HEBEL	1
53	12903020/0	VITE	SCREW	VIS	SCHRAUBE	1
54	12523040/0	RONDELLA	WASCHER	GROWER	SCHLEIBE	1
54A	12369500/0	DISCO ELASTIC	ELASTIC WASHER	RONDELLE ELASTIQUE	ELASTICHE SCHEIBE	1
55	12582100/0	GROWER	GROWER	GROWER	FEDERRING	1
56	12292100/0	DADO	NUT	ECROU	MUTTER	1
57	22192000/0	FASC. ANCORAGGID	ANCHOR CLAMP	BANDE ANCRAGE	BDWDENZUCHALTER	2
58	22170800/0	DISTANZIALE	SPACER	ENTRETOISE	DISTANZRING	1
71	81003279/0	LEVA REGDL.	ADJ LEVER	LEVIER REGLAGE	HEBEL	1
72	22397000/0	MANDPDLA	KNOB	POIGNEE	GRIFF	1
73	12789000/0	VITE	SCREW	VIS	SCHRAUBE	2
74	12154330/0	DADO	NUT	ECROU	MUTTER	2
75	81001263/0	ASS. ASTA	RDD ASS'Y	ENS. TIGE	ENS. STAB	1
76	22446180/0	MOLLA	SPRING	RESSORT	FEDER	1
77	81007311/0	RUOTA Ø170 NERA	BLACK Ø170 WHEEL	ROUE Ø170 NDIRE	SCHWARZE Ø170 RAD	2
78	81007313/0	RUOTA Ø210 NERA	BLACK Ø210 WHEEL	ROUE Ø210 NOIRE	SCHWARZE Ø210 RAD	2
79	22122200/0	CUSCINETTO	BEARING	PALIER A BILLES	KUEGELLAGER	8
80	12530150/0	RONDELLA ELAST.	ELASTIC WASHER	RONDELLE ELASTIQUE	ELASTICHE SCHEIBE	4
81	12521350/0	RONDELLA	WASHER	RONDELLE	SCHLEIBE	4
82	12155000/0	DADO	NUT	ECROU	MUTTER	4
83	22110262/0	COPRIMOZZO BIANCO	WHITE HUBCAP	COUVRE MOYEU BLANCHE	RADKAPPE WHEISSE	2
83A	22110265/0	COPRIMOZZO BIANCO	WHITE HUBCAP	COUVRE MOYEU BLANCHE	RADKAPPE WEISSE	2
84	81001268/0	ASSE RUOTE ANT.	FRONT WHEELS AXLE	AXE ROUES AV.	VORRAD ACHSE	1
85	12436050/0	PIASTRINA X ASTA	ROD PLATE	PLAQUETTE TIGE	STABPLATTCHEN	2
86	81001254/0	ASSE RUOTE POST.	REAR WHEELS AXLE	AXE ROUES ARR.	HITERRAD ACHSE	1
101	98004000/0	ASS. SACCO IN TELA	CANVASS GRASSCATCHER ASS'Y	ENSEMBLE SAC EN TOILE	KOMPLETTER SACK	1
102	81006408/0	TELAIO	CHASSIS	CHASSIS	RAHMEN	1
103	81002105/1	TELA SACCO	FABRIC BOX	TOILE POUR SAC	TUCK FUER SACK	1
111	98005000/0	SACCO CDMPLETO	COMPLETE GRASS-BOX	BAC COMPLET	KOMPLETTER KORB	1
112	22486061/1	PARTE SUP. SACCO	UPPER GRASSBOX	PARTIE SUP. BAC	KORB OBERTEIL	1
113	22486060/0	PARTE INF. SACCO	LOWER GRASSBOX	PARTIE INF. BAC	KORB UNTERTEIL	1
114	22775170/1	SUPPORTO SACCO	SUPPORT FOR GRASSBOX	SUPPORT BAC	KORB HALTER	2
115	12789000/0	VITE	SCREW	VIS	SCHRAUBEN	4
116	12521540/0	RONDELLA	WASHER	RONDELLE	SCHLEIBE	4
117	12154330/0	DADO	NUT	ECROU	MUTTER	4
118	22381900/0	MANIGLIA SACCO	GRASS CATCHER HANDLE	POIGNEE BAC	KORBGRIFF	1
119	12791400/0	VITE	SCREW	VIS	SCHRAUBEN	2
120	12523040/0	RONDELLA	WASHER	RONDELLE	SCHLEIBE	2
121	12582100/0	GROWER	GROWER	GROWER	FEDERRING	2
122	12292100/0	DADO	NUT	ECROU	MUTTER	2
—	81008577/0	DOTAZIONE SACCO	GRASS-BOX OUTFIT	DOTATION BAC	KORBAUSSTATTUNG	1
—	81008595/0	DOTAZIONE VITERIA	SCREWS OUTFIT	DOTATION VISSERIE	SCHRAUBEN SATZ	1

	VARIANTI FRENO MOTORE E AVVIAMENTO SU MANICO	VARIANTS FOR ENGINE BRAKE AND STARTING ON HANDLE	VARIATIONS POUR FREIN-MOTEUR ET DÉMARRAGE SUR MANCHERON	ÄNDERUNGEN FÜR MOTORBREMSE UND ANLASSEN AUF HOLM		
200	81006989/0	PARTE INF. MANICO	LOWER HANDLE	PARTIE INF. MANCHERON	UNTERHOLT	1
201	81006967/0	PARTE SUP. MANICO	UPPER HANDLE	PARTIE SUP. MANCHERON	OBERHOLM	1
202	81003289/0	ASS. LEVA FRENO MOTORE	BRAKE LEVER ASSY'	LEVIER FREIN MOTEUR	MOTORBREMSEHEBEL	1
203	22041966/0	BUSSOLA	BUSH	DOUILLE	BÜCHSE	2
204	81000621/0	ASS. CAVO FRENO MOTORE SPRINT 375	THREAD MOTOR BRAKE ASSY' SPRINT 375	CABLE FREIN MOTEUR SPRINT 375	MOTORBREMSEKABEL SPRINT 375	1
204A	81001105/0	ASS. CAVO FRENO MOTORE QUANTUM XM	THREAD MOTOR BRAKE ASSY' QUANTUM XM	CABLE FREIN MOTEUR QUANTUM XM	MOTORBREMSEKABEL QUANTUM XM	1
204B	81001107/0	ASS. CAVO FRENO MOTORE TECUMSEH	THREAD MOTOR BRAKE ASSY' TECUMSEH	CABLE FREIN MOTEUR TECUMSEH	MOTORBREMSEKABEL TECUMSEH	1
205	12791400/0	VITE	SCREW	VIS	SCHRAUBE	2
206	12521330/0	RONDELLA	WASHER	RONDELLE	SCHLEIBE	2
207	12523040/0	RONDELLA	WASHER	RONDELLE	SCHLEIBE	2
208	12582100/0	GROWER	GROWER	GROWER	MUTTER	2
209	12292100/0	DADO	NUT	ECROU	MUTTER	2
210	22120142/0	CRUSCOTTA	DASH BOARD	CONSOLE	KONSOLE	1
211	22394640/3	MANOPOLINA	KNOBP	POIGNEE	GRIFF	1
212	81007048/0	ASS. ACCELERATORE + MANOP.	THROTTLE UNIT + KNOBP	ENS. ACCELERATEUR + POIGNEE	BESCHLEUNIGER + GRIFF	1