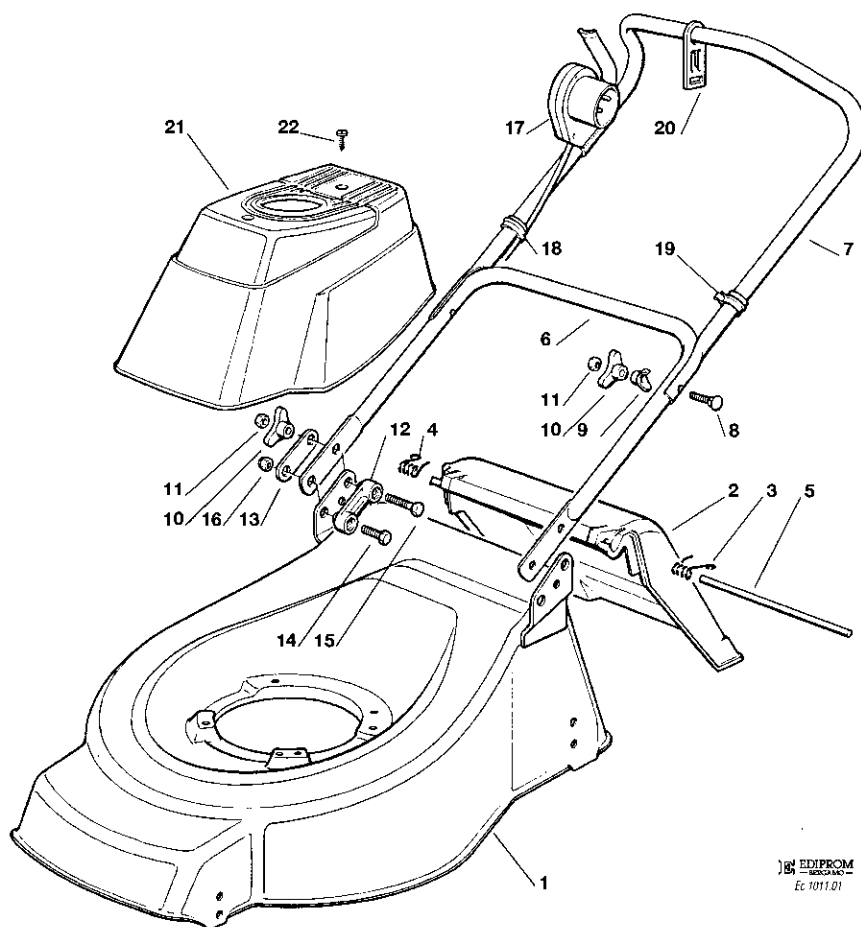


VISTE ESPLOSE
EXPLODED VIEWS
VUES ECLATEES
SPRENGZEICHNUNGEN

TD 480

CHASSIS - MANICO - COMANDI
DECK - HANDLE - CONTROLS
CHASSIS - MANCHERON - COMMANDES
GEHÄUSE - HOLM - BETÄTIGUNGEN

Mod. 1994

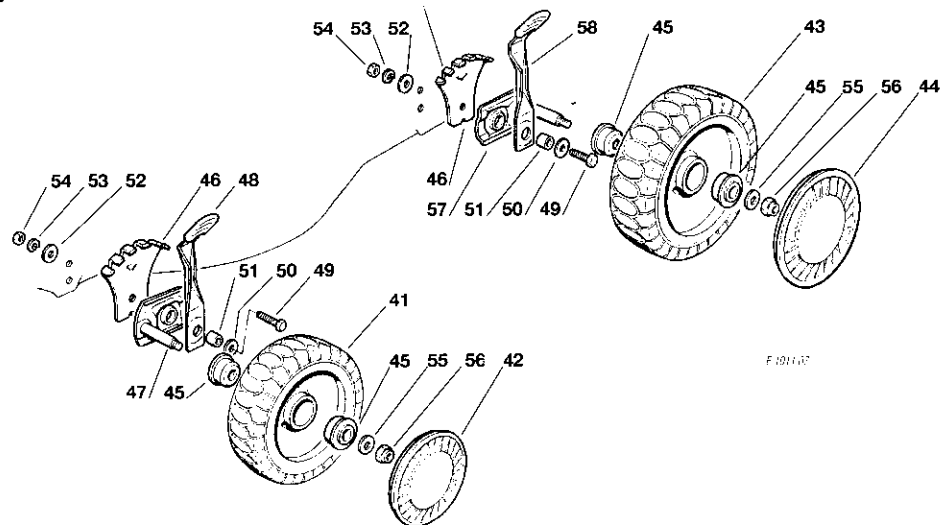


Pos. Nr.	Codice Code Kodex	Descrizione	Description	Description	Beschreibung	Q.tà Q.ty-Q.tè Menge
1	81001339/0	CHASSIS ROSSO	RED DECK	CHASSIS ROUGE	ROT GEHÄUSE	1
2	22600046/0	PARASASSI	STONE-GUARD	PARE-PIERRES	PRALLBLECH	1
3	22450420/1	MOLLA SINISTRA	LEFT SPRING	RESSORT GAUCHE	LINK FEDER	1
4	22450410/1	MOLLA DESTRA	RIGHT SPRING	RESSORT DROITE	RECHTE FEDER	1
5	22517906/0	PERNO	PIN	PIVOT	BOLZEN	1
6	81006512/0	PARTE INFERIORE MANICO	LOWER HANDLE	PARTIE INF. MANCHERON	HOLMUNTERTEIL	1
7	81006933/1	PARTE SUPERIORE MANICO	UPPER HANDLE	PARTIE SUP. MANCHERON	HOLMOBERTEIL	1
8	12819201/0	VITE	SCREW	VIS	SCHRAUBE	2
9	22680006/1	RONDELLA	WASHER	RONDELLE	SCHEIBE	2
10	22399900/0	MANOPOLINA	KNOB	POIGNEE	GRIFT	4
11	12293200/0	DADO	NUT	ECROU	MUTTER	4
12	22551575/0	PIASTRINA INTERNA	INSIDE PLAQUE	PLAQUETTE INTERNE	ISOLIERPLATTE	2
13	22551574/0	PIASTRINA ESTERNA	OUTSIDE PLAQUE	PLAQUETTE EXTERNE	ISOLIERPLATTE	2
14	12793301/0	VITE	SCREW	VIS	SCHRAUBE	2
15	12691115/0	VITE	SCREW	VIS	SCHRAUBE	2
16	12155000/0	DADO	NUT	ECROU	MUTTER	2
17	18710610/0	SALVAMOTORE M.M. C.E.E. 5,5A (900W)	DEAD HAND SWITCH C.E.E. 5,5A (900W)	INT. MAIN MORTE C.E.E. 5,5A (900W)	TOT MANSCHALTER C.E.E. 5,5A (900W)	1
-	18710604/0	SALVAMOTORE M.M. SEV 5,5A (900W) SOLO PER SVIZZERA	DEAD HAND SWITCH SEV 5,5A (900W) ONLY FOR SWITZERLAND	INT. MAIN MORTE SEV 5,5A (900W) SEULEMENT POUR LA SUISSE	TOT MANSCHALTER SEV 5,5A (900W) NUR FÜR SCHWEIZ	1
-	18710609/0	SALVAMOTORE M.M. C.E.E. 7A (1100W - 220V/240V)	DEAD HAND SWITCH C.E.E. 7A (1100W - 220V/240V)	INT. MAIN MORTE C.E.E. 7A (1100W - 220V/240V)	TOT MANSCHALTER C.E.E. 7A (1100W - 220V/240V)	1
-	18710572/0	SALVAMOTORE M.M. SEV 7A (1100W) SOLO PER SVIZZERA	DEAD HAND SWITCH SEV 7A (1100W) ONLY FOR SWITZERLAND	INT. MAIN MORTE SEV 7A (1100W) SEULEMENT POUR LA SUISSE	TOT MANSCHALTER SEV 7A (1100W) NUR FÜR SCHWEIZ	1

↓

Pos. Nr.	Codice Code Kodex	Descrizione	Description	Description	Beschreibung	Q.tà Q.ty-Q.tè Menge
↓						
18	22192000/1	FASCETTA ANCORAGGIO	ANCHOR CLAMP	COLLIER ANCRAGE	BOWDENZUGHALTER	2
19	22192150/0	FERMACAVO	FAIR LEAD	FIXATION CABLE	KABELBEFESTIGUNG	1
20	22195101/1	FERMACAVO	FAIR LEAD	FIXATION CABLE	KABELBEFESTIGUNG	1
21	81002059/0	CAPOTTINA	COVER	CAPOT	HAUSE	1
22	12728680/0	VITE	SCREW	VIS	SCHRAUBE	2

**RUOTE E REGOLAZIONE
WHEELS AND HEIGHT ADJUSTING
ROUES ET REGLAGE HAUTEUR DE COUPE
RAEDER UND SCHNITTVERSTELLUNG**



41	81007317/0	RUOTA SCOLPITA Ø 170	KNOBBLY WHEEL Ø 170	ROUE SCULPTEE Ø 170	RAD M. STOLLENPR. Ø 170	2
42	22110282/0	COPRIMOZZO BIANCO	WHITE HUB CAP	COUVRE-MOYEU BLANCHE	WEISSE RADKAPPE	2
43	81007318/0	RUOTA SCOLPITA Ø 210	KNOBBLY WHEEL Ø 210	ROUE SCULPTEE Ø 210	RAD M. STOLLENPR. Ø 210	2
44	22110281/0	COPRIMOZZO BIANCO	WHITE HUB CAP	COUVRE-MOYEU BLANCHE	WEISSE RADKAPPE	2
45	22034508/0	BOCCOLA	BUSHING	DOUILLE	BÜCHSE	8
46	22735547/0	SETTORE REGOLAZIONE	ADJUSTERS SECTOR	SECTEUR REGLAGE	VERSTELLUNGSSEKTOR	4
47	81005082/0	SUPPORTO RUOTA	WHEEL SUPPORT	SUPPORT ROUE	RADHALTER	2
48	81003285/0	LEVA REGOLAZIONE	ADJUSTMENT LEVER	LEVIER REGLAGE	VERSTELLUNGHEBEL	2
49	12793701/0	VITE	SCREW	VIS	SCHRAUDE	4
50	12521350/0	RONDELLA	WASHER	RONDELLE	SCHIBE	4
51	22171001/0	DISTANZIALE	SPACER	ENTRETOISE	DISTANZRING	4
52	12523070/0	RONDELLA	WASHER	RONDELLE	SCHIBE	4
53	12583500/0	GROWER	GROWER	ECROU	FEDERRING	4
54	12293200/0	DADO	NUT	ECROU	MUTTER	4
55	12523060/0	RONDELLA	WASHER	RONDELLE	SCHIBE	4
56	12155000/0	DADO	NUT	ECROU	MUTTER	4
57	81005084/0	SUPPORTO RUOTA	WHEEL SUPPORT	SUPPORT ROUE	RADHALTER	2
58	81003286/0	LEVA REGOLAZIONE	ADJUSTMENT LEVER	LEVIER REGLAGE	VERSTELLUNGHEBEL	2

**Varianti
per ruote rigate**

**Changes
for grooved wheels**

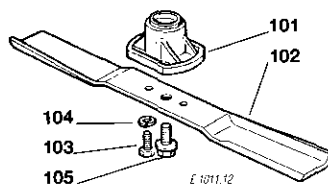
**Changements
pour roues rainurées**

**Änderungen
für Räder mit Längsprofilen**

41	81007311/0	RUOTA RIGATA Ø 170	GROOVED WHEEL Ø 170	ROUE RAINUREE Ø 170	RAD M. LÄNGSPROFIL Ø 170	2
42	22110252/0	COPRIMOZZO BIANCO	WHITE HUB CAP	COUVRE-MOYEU BLANCHE	WEISSE RADKAPPE	2
43	81007313/0	RUOTA RIGATA Ø 210	GROOVED WHEEL Ø 210	ROUE RAINUREE Ø 210	RAD M. LÄNGSPROFIL Ø 210	2
44	22110251/0	COPRIMOZZO BIANCO	WHITE HUB CAP	COUVRE-MOYEU BLANCHE	WEISSE RADKAPPE	2

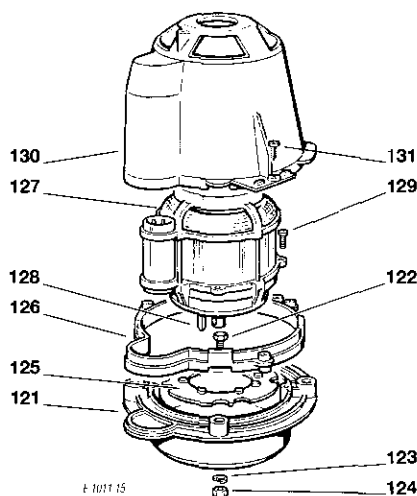
Pos. Nr.	Codice Code Kodex	Descrizione	Description	Description	Beschreibung	Q.tà Q.ty-Q.tè Menge
----------	-------------------	-------------	-------------	-------------	--------------	----------------------------

**GRUPPO COLTELLO
BLADE ASS.Y
GROUPE DES LAMES
MESSERSATZT**



101	22463186/1	MOZZO	HUB	MOYEU	HALTER	1
102	81004346/0	COLTELLO STANDARD	STANDARD BLADE	LAME STANDARD	STANDARD MESSER	1
-	81004397/0	COLTELLO ALETTATO	WINGS BLADE	LAME À AILETTES	FLUEGELMESSER	1
103	12793101/0	VITE	SCREW	VIS	SCHRAUBE	2
104	12583500/0	GROWER	GROWER	GROWER	FEDERRING	2
105	81004352/0	VITE	SCREW	VIS	SCHRAUBE	1

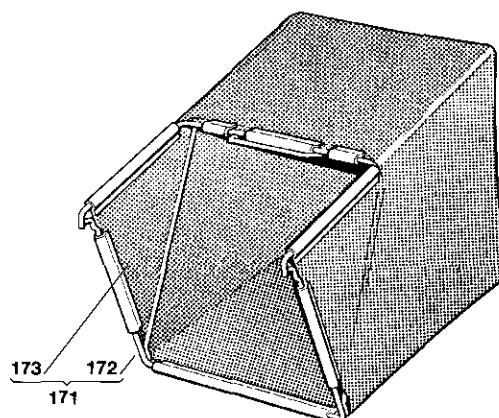
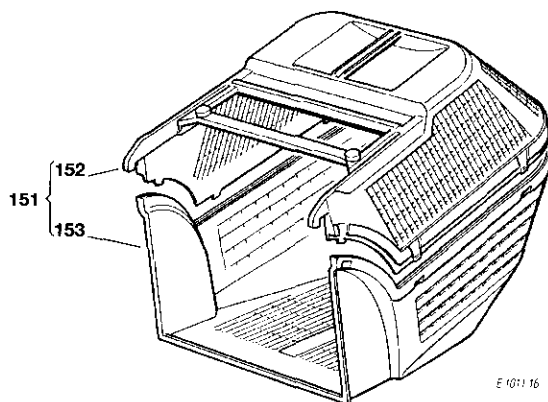
**GRUPPO MOTORE ELETTRICO
MOTOR ASS.Y
MOTEUR ELECTRIQUE
ELEKTROMOTOR**



121	22207211/2	FLANGIA	FLANGE	BRIDE	FLANSCH	1
122	12793700/0	VITE	SCREW	VIS	SCHRAUBE	4
123	12583500/0	GROWER	GROWER	GROWER	FEDERRING	4
124	12293200/0	DADO	NUT	ECROU	MUTTER	4
125	22720360/1	SCHERMO VENTILAZIONE	VENTILATION SCREEN	ECRAU VENTILATION	ÜFTUNGSSCHIRM	1
126	22174006/1	DIStANZIALE	SPACER	ENTRETOISE	DIStANZIARING	1
127	18563045/0	MOTORE IBMEI 1500W (220V) S/F STATORE h 60 mm	IBMEI MOTOR 1500W (220V) W/B STATOR h 60 mm	MOTEUR IBMEI 1500W (220V) S/F STATOR h 60 mm	MOTOR IBMEI 1500W (220V) O/B STATOR h 60 mm	1
-	18563046/0	MOTORE IBMEI 1500W (220V) C/F STATORE h 60 mm	IBMEI MOTOR 1500W (220V) W/B STATOR h 60 mm	MOTEUR IBMEI 1500W (220V) A/F STATOR h 60 mm	MOTOR IBMEI 1500W (220V) M/B STATOR h 60 mm	1
-	18563047/0	MOTORE IBMEI 1500W (240V) S/F STATORE h 60 mm	IBMEI MOTOR 1500W (240V) W/B STATOR h 60 mm	MOTEUR IBMEI 1500W (240V) S/F STATOR h 60 mm	MOTOR IBMEI 1500W (240V) O/B STATOR h 60 mm	1
-	18563006/0	MOTORE RST 1500W (220V) C/F	IRST MOTOR 1500W (220V) W/B	MOTEUR RST 1500W (220V) A/F	MOTOR RST 1500W (220V) M/B	1
127a	18740051/0	VENTOLA MOTORE RST	RST MOTOR FAN	VENTILATEUR MOTORE RST	RST LÜFTER	1
127b	18222037/0	CONDENSATORE 16 µF	CONDENSER 16 µF	CONDENSEUR 16 µF	KONDENSATOR 16 µF	1
127c	18740049/0	VENTOLA MOTORE IBMEI	IBMEI MOTOR FAN	VENTILATEUR MOTORE IBMEI	IBMEI LÜFTER	1
127d	18398015/2	FLANGIA INFERIORE IBMEI	LOWER FLANGE IBMEI	BRIDE INFERIEURE IBMEI	UNTER FLANSCH IBMEI	1
127e	18398025/3	FLANGIA SUPERIORE IBMEI	UPPER FLANGE IBMEI	BRIDE SUPERIEURE IBMEI	OBER FLANSCH IBMEI	1
128	12139440/0	LINGUETTA	FEATHER	CLAVETTE	KEIL	1
129	12735410/0	VITE	SCREW	VIS	SCHRAUBE	4
130	22785060/1	SUPPORTO CAPOTTINA	COVER SUPPORT	SUPPORT CAPOT	HAUBEHALTER	1
131	12728710/0	VITE	SCREW	VIS	SCHRAUBE	4

Pos. Nr.	Codice Code Kodex	Descrizione	Description	Description	Beschreibung	Q.tà Q.ty-Q.tè Menge
-------------	-------------------------	-------------	-------------	-------------	--------------	----------------------------

**SACCO RACCOGLIERBA E DOTAZIONE
GRASS-CATCHER AND SCREWS OUTFITS
BAC DE RAMASSAGE ET DOTATION VISSERIE
GRASFANGKORB UND SCHRAUBENSATZ**



151	94004000/0	SACCO COMPLETO	COMPLETE GRASS-BOX	BAC COMPLET	KOMPLETTER KORB	1
152	22486073/0	PORTE SUPERIORE SACCO	UPPER GRASS-BOX	PARTIE SUPERIEURE SAC	KORB OBERTEIL	1
153	22486074/0	PORTE INFERIORE SACCO	LOWER GRASS-BOX	PARTIE INFERIEURE SAC	KORB UNTERTEIL	1
171	94005000/0	ASSIEME SACCO TELA	CANVASS GRASSCATCHER ASS.Y	ENSEMBLE SAC EN TOILE	KOMPLETTER SACK	1
172	81006418/0	TELAIO	CHASSIS	CHASSIS	RAHMEN	1
173	81002105/0	TELA SACCO	FABRIC BOX	TOILE POUR SAC	TUCK FÜR SACK	1
-	81008596/0	DOTAZIONE VITERIA	SCREWS OUTFIT	DOTATION VISSERIE	SCHRAUBEN SATZ	1