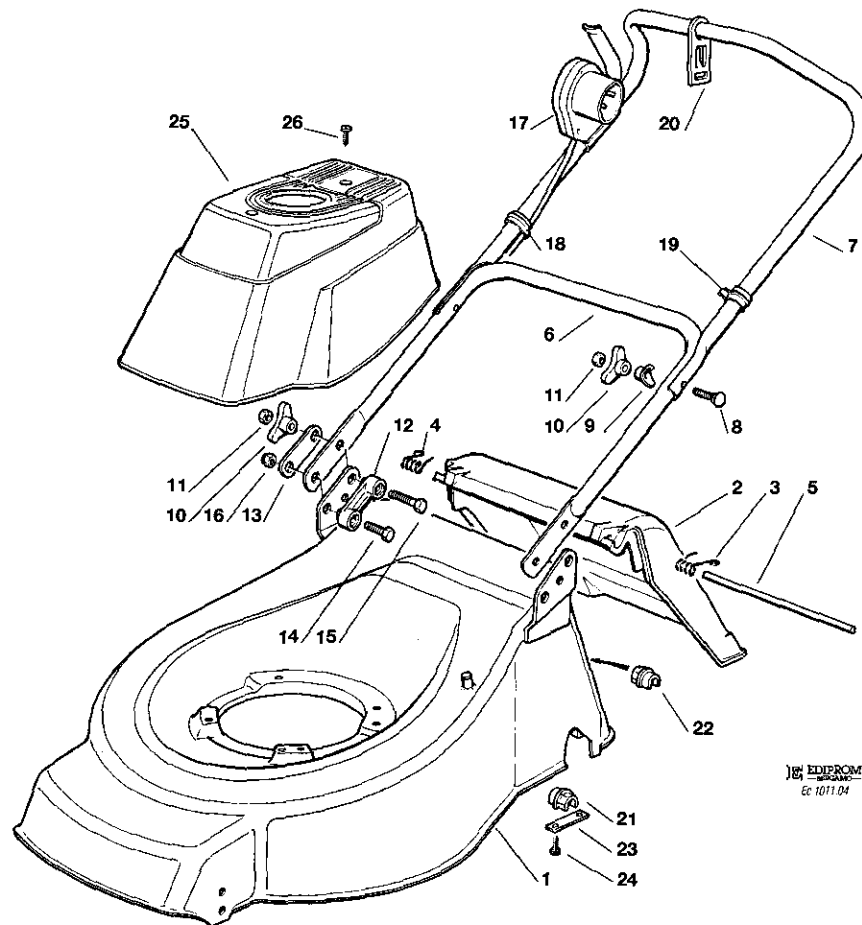


VISTE ESPLOSE  
EXPLODED VIEWS  
VUES ECLATEES  
SPRENGZEICHNUNGEN

TDL 480

CHASSIS - MANICO - COMANDI  
DECK - HANDLE - CONTROLS  
CHASSIS - MANCHERON - COMMANDES  
GEHÄUSE - HOLM - BETÄTIGUNGEN

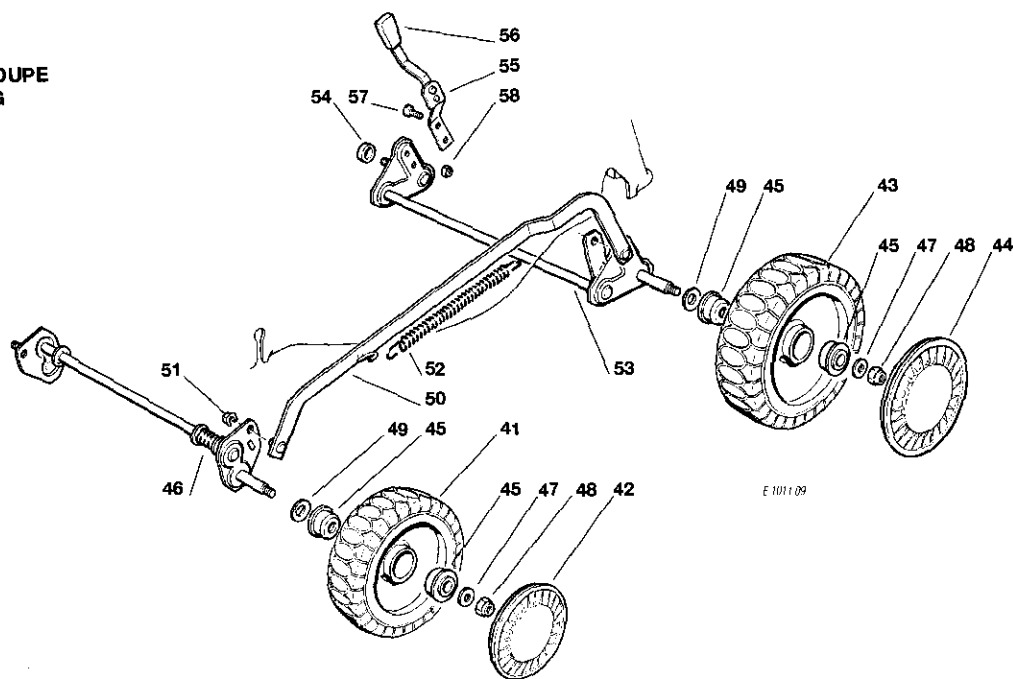
Mod. 1994



Pos. Nr.	Codice Code Kodex	Descrizione	Description	Description	Beschreibung	Q.tà Q.ty-Q.tè Menge
1	81001344/0	CHASSIS ROSSO	RED DECK	CHASSIS ROUGE	ROT GEHÄUSE	1
2	22600046/0	PARASASSI	STONE-GUARD	PARE-PIERRES	PRALLBLECH	1
3	22450420/1	MOLLA SINISTRA	LEFT SPRING	RESSORT GAUCHE	LINK FEDER	1
4	22450410/1	MOLLA DESTRA	RIGHT SPRING	RESSORT DROITE	RECHTE FEDER	1
5	22517906/0	PERNO	PIN	PIVOT	BOLZEN	1
6	81006512/0	PARTE INFERIORE MANICO	LOWER HANDLE	PARTIE INF. MANCHERON	HOLMUNTERTEIL	1
7	81006933/1	PARTE SUPERIORE MANICO	UPPER HANDLE	PARTIE SUP. MANCHERON	HOLMOBERTEIL	1
8	12819201/0	VITE	SCREW	VIS	SCHRAUBE	2
9	22680006/1	RONDELLA	WASHER	RONDELLE	SCHEIBE	2
10	22399900/0	MANOPOLINA	KNOB	POIGNÉE	GRIFT	4
11	12293200/0	DADO	NUT	ECROU	MUTTER	4
12	22551575/0	PIASTRINA INTERNA	INSIDE PLAQUE	PLAQUETTE INTERNE	ISOLIERPLATTE	2
13	22551574/0	PIASTRINA ESTERNA	OUTSIDE PLAQUE	PLAQUETTE EXTERNE	ISOLIERPLATTE	2
14	12793301/0	VITE	SCREW	VIS	SCHRAUBE	2
15	12691115/0	VITE	SCREW	VIS	SCHRAUBE	2
16	12155000/0	DADO	NUT	ECROU	MUTTER	2
17	18710610/0	SALVAMOTORE M.M. C.E.E. 9,5A RST 1500W (220V)	DEAD HAND SWITCH C.E.E. 9,5A RST 1500W (220V)	INT. MAIN MORTE C.E.E. 9,5A RST 1500W (220V)	TOT MANSCHALTER C.E.E. 9,5A RST 1500W (220V)	1
-	18710604/0	SALVAMOTORE M.M. C.E.E. 10A IBMEI (240V)	DEAD HAND SWITCH C.E.E. 10A IBMEI (240V)	INT. MAIN MORTE C.E.E. 10A IBMEI (240V)	TOT MANSCHALTER C.E.E. 10A IBMEI (240V)	1
-	18710609/0	SALVAMOTORE M.M. RST 9,5A (220V) SOLO PER SVIZZERA	DEAD HAND SWITCH RST 9,5A (220V) ONLY FOR SWITZERLAND	INT. MAIN MORTE RST 9,5A (220V) SEULEMENT POUR LA SUISSE	TOT MANSCHALTER RST 9,5A (220V) NUR FÜR SCHWEIZ	1
-	18710572/0	SALVAMOTORE M.M. SEV 10A (220V) IBMEI SOLO PER SVIZZERA	DEAD HAND SWITCH RST 10A (220V) IBMEI ONLY FOR SWITZERLAND	INT. MAIN MORTE RST 10A (220V) IBMEI SEUL. POUR LA SUISSE	TOT MANSCHALTER RST 10A (220V) IBMEI NUR FÜR SCHWEIZ	1

Pos. Nr.	Codice Code Kodex	Descrizione	Description	Description	Beschreibung	Q.tà Q.ty-Q.tè Menge
↓						
18	22192000/1	FASCETTA ANCORAGGIO	ANCHOR CLAMP	COLLIER ANCRAGE	BOWDENZUGHALTER	2
19	22192150/0	FERMACAVO	FAIR LEAD	FIXATION CABLE	KABELBEFESTIGUNG	1
20	22195101/1	FERMACAVO	FAIR LEAD	FIXATION CABLE	KABELBEFESTIGUNG	1
21	22038403/0	BRONZINA SINISTRA	LEFT BUSH	DOUILLE GAUCHE	LINK BUCHSE	1
22	22038402/0	BRONZINA DESTRA	RIGHT BUSH	DOUILLE DROITE	RECHT BUCHSE	1
23	22545142/0	PIASTRINA	PLATE	PLAQUETTE	PLATTE	2
24	12731350/0	VITE	SCREW	VIS	SCHRAUBE	4
25	81002059/0	CAPOTTINA	COVER	CAPOT	HAUSE	1
26	12728680/0	VITE	SCREW	VIS	SCHRAUBE	2

**RUOTE E REGOLAZIONE  
WHEELS AND HEIGHT ADJUSTING  
ROUES ET REGLAGE HAUTEUR DE COUPE  
RAEDER UND SCHNITTVERSTELLUNG**



41	81007317/0	RUOTA SCOLPITA Ø 170	KNOBBLY WHEEL Ø 170	ROUE SCULPTEE Ø 170	RAD M. STOLLENPR. Ø 170	2
42	22110282/0	COPRIMOZZO BIANCO	WHITE HUB CAP	COUVRE-MOYEU BLANCHE	WEISSE RADKAPPE	2
43	81007318/0	RUOTA SCOLPITA Ø 210	KNOBBLY WHEEL Ø 210	ROUE SCULPTEE Ø 210	RAD M. STOLLENPR. Ø 210	2
44	22110281/0	COPRIMOZZO BIANCO	WHITE HUB CAP	COUVRE-MOYEU BLANCHE	WEISSE RADKAPPE	2
45	22122200/0	CUSCINETTO	BEARING	COUSSINET	KUGELLAGER	8
46	81001274/0	ASSE RUOTE ANTERIORE	FRONT WHEELS AXLE	AXE ROUES AVANT	VORDERRADACHSE	1
47	12521350/0	RONDELLA	WASHER	RONDELLE	SCHEIBE	4
48	12155000/0	DADO	NUT	ECROU	MUTTER	4
49	12530150/0	RONDELLA ELASTICA	ELASTIC WASHER	RONDELLE ELASTIQUE	ELASTISCHE SCHEIBE	4
50	81001276/0	ASTA COMANDO	ADJUSTMENT ROD	TIGE COMMANDE	STELLSTAB	1
51	12436050/0	PIASTRINA	PLATE	PLAQUETTE	PLÄTTCHEN	2
52	22446180/0	MOLLA	SPRING	RESSORT	FEDER	1
53	81001278/0	ASSE RUOTE POSTERIORE	REAR WHEELS AXLE	AXE ROUES ARRIERE	HINTERRADACHSE	1
54	22170800/0	DISTANZIALE	SPACER	ENTRETOISE	DOSTANZRING	1
55	81003279/1	LEVA REGOLAZIONE	ADJUSTMENT LEVER	LEVIER REGLAGE	VERSTELLUNG HEBEL	1
56	22397000/0	MANOPOLA	KNOB	POIGNEE	GRIFF	1
57	12789000/0	VITE	SCREW	VIS	SCHRAUBE	2
58	12154330/0	DADO	NUT	ECROU	MUTTER	2

**Varianti  
per ruote rigate**

**Changes  
for grooved wheels**

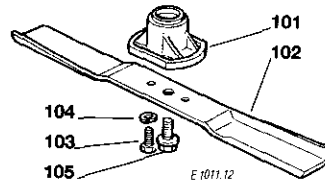
**Changements  
pour roues rainurées**

**Änderungen  
für Räder mit Längsprofile**

41	81007311/0	RUOTA RIGATA Ø 170	GROOVED WHEEL Ø 170	ROUE RAINUREE Ø 170	RAD M. LÄNGSPROFIL Ø 170	2
42	22110252/0	COPRIMOZZO BIANCO	WHITE HUB CAP	COUVRE-MOYEU BLANCHE	WEISSE RADKAPPE	2
43	81007313/0	RUOTA RIGATA Ø 210	GROOVED WHEEL Ø 210	ROUE RAINUREE Ø 210	RAD M. LÄNGSPROFIL Ø 210	2
44	22110251/0	COPRIMOZZO BIANCO	WHITE HUB CAP	COUVRE-MOYEU BLANCHE	WEISSE RADKAPPE	2

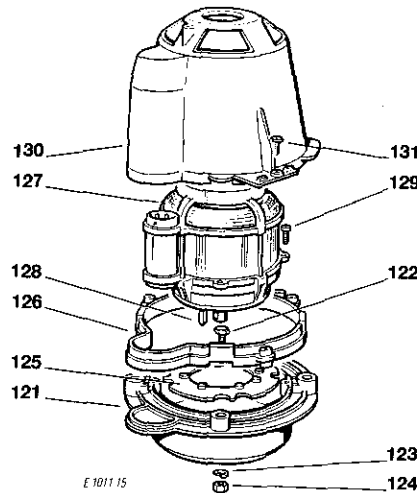
Pos. Nr.	Codice Code Kodex	Descrizione	Description	Description	Beschreibung	Q.tà Q.ty-Q.tè Menge
----------	-------------------	-------------	-------------	-------------	--------------	----------------------------

**GRUPPO COLTELLO  
BLADE ASS.Y  
GROUPE DES LAMES  
MESSERSATZT**



101	22463186/1	MOZZO	HUB	MOYEU	HALTER	1
102	81004346/0	COLTELLO STANDARD	STANDARD BLADE	LAME STANDARD	STANDARD MESSER	1
-	81004397/0	COLTELLO ALETTATD	WINGS BLADE	LAME À AILETTES	FLUEGELMESSER	1
103	12793101/0	VITE	SCREW	VIS	SCHRAUBE	2
104	12583500/0	GROWER	GROWER	GROWER	FEDERING	2
105	81004352/0	VITE	SCREW	VIS	SCHRAUBE	1

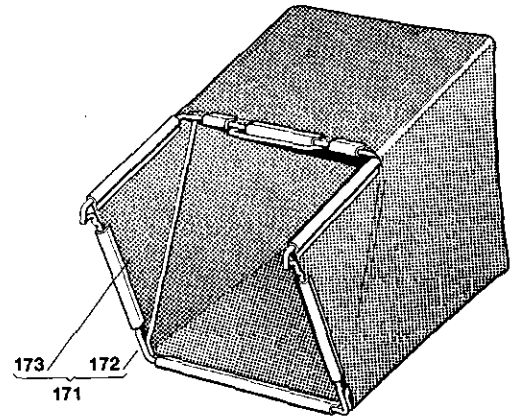
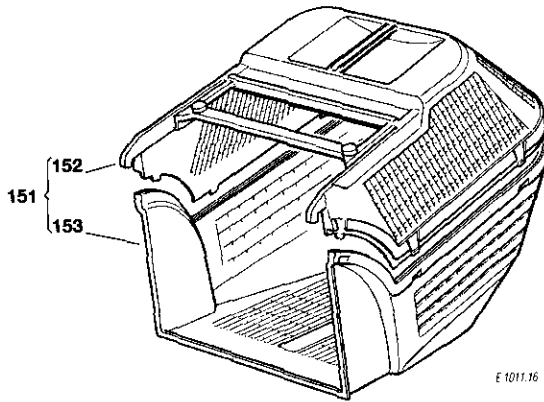
**GRUPPO MOTORE ELETTRICO  
MOTOR ASS.Y  
MOTEUR ELECTRIQUE  
ELEKTROMOTOR**



121	22207211/2	FLANGIA	FLANGE	BRIDE	FLANSCH	1
122	12793700/0	VITE	SCREW	VIS	SCHRAUBE	4
123	12583500/0	GROWER	GROWER	GROWER	FEDERING	4
124	12293200/0	DADO	NUT	ECROU	MUTTER	4
125	22720360/1	SCHERMO VENTILAZIONE	VENTILATION SCREEN	ECRAU VENTILATION	ÜFTUNGSCHIRTM	1
126	22174006/1	DISTANZIALE	SPACER	ENTRETOISE	DISTANZIARING	1
127	18563045/0	MOTORE IBMEI 1500W (220V) S/F	IBMEI MOTOR 1500W (220V) W/B	MOTEUR IBMEI 1500W (220V) S/F	MOTOR IBMEI 1500W (220V) O/B	1
-	18563046/0	MOTORE IBMEI 1500W (220V) C/F	IBMEI MOTOR 1500W (220V) W/B	MOTEUR IBMEI 1500W (220V) A/F	MOTOR IBMEI 1500W (220V) M/B	1
-	18563047/0	MOTORE IBMEI 1500W (240V) C/F	IBMEI MOTOR 1500W (240V) W/B	MOTEUR IBMEI 1500W (240V) A/F	MOTOR IBMEI 1500W (240V) M/B	1
-	18563006/0	MOTORE RST 1500W (220V) C/F	RST MOTOR 1500W (220V) W/B	MOTEUR RST 1500W (220V) A/F	MOTOR RST 1500W (220V) M/B	1
127a	18740051/0	VENTOLA MOTORE RST	MOTOR FAN RST	VENTILATEUR MOTEUR RST	LÜFTER RST	1
127b	18740049/0	VENTOLA MOTORE IBMEI	MOTOR FAN IBMEI	VENTILATEUR MOTEUR IBMEI	LÜFTER IBMEI	1
127c	18398015/2	FLANGIA INFERIORE	LOWER FLANGE	BRIDE INFERIEURE	UNTER FLANSCH	1
127d	18398025/3	FLANGIA SUPERIORE	UPPER FLANGE	BRIDE SUPERIEURE	OBER FLANSCH	1
127e	18222037/0	CONDENSATORE 16 µF	CONDENSER 16 µF	CONDENSEUR 16 µF	KONDENSATOR 16 µF	1
128	12139440/0	LINGUETTA	FEATHER	CLAVETTE	KEIL	1
129	12735410/0	VITE	SCREW	VIS	SCHRAUBE	4
130	22785060/1	SUPPORTO CAPOTTINA	COVER SUPPORT	SUPPORT CAPOT	HAUBEHALTER	1
131	12728710/0	VITE	SCREW	VIS	SCHRAUBE	4

Pos. Nr.	Codice Code Kodex	Descrizione	Description	Description	Beschreibung	Q.tà Q.ty-Q.tè Menge
----------	-------------------	-------------	-------------	-------------	--------------	----------------------------

**SACCO RACCOGLIERBA E DOTAZIONE  
GRASS-CATCHER AND SCREWS OUTFITS  
BAC DE RAMASSAGE ET DOTATION VISSERIE  
GRASFANGKORB UND SCHRAUBENSATZ**



151	94004000/0	SACCO COMPLETO	COMPLETE GRASS-BOX	BAC COMPLET	KOMPLETTER KORB	1
152	22486073/0	PORTE SUPERIORE SACCO	UPPER GRASS-BOX	PARTIE SUPERIEURE SAC	KORB OBERTeil	1
153	22486074/0	PORTE INFERIORE SACCO	LOWER GRASS-BOX	PARTIE INFERIEURE SAC	KORB UNTERTEIL	1
171	94005000/0	ASSIEME SACCO TELA	CANVASS GRASSCATCHER ASS.Y	ENSEMBLE SAC EN TOILE	KOMPLETTER SACK	1
172	81006418/0	TELAIO	CHASSIS	CHASSIS	RAHMEN	1
173	81002105/0	TELA SACCO	FABRIC BOX	TOILE POUR SAC	TUCK FÜR SACK	1
-	81008596/0	DOTAZIONE VITERIA	SCREWS OUTFIT	DOTATION VISSERIE	SCHRAUBEN SATZ	1