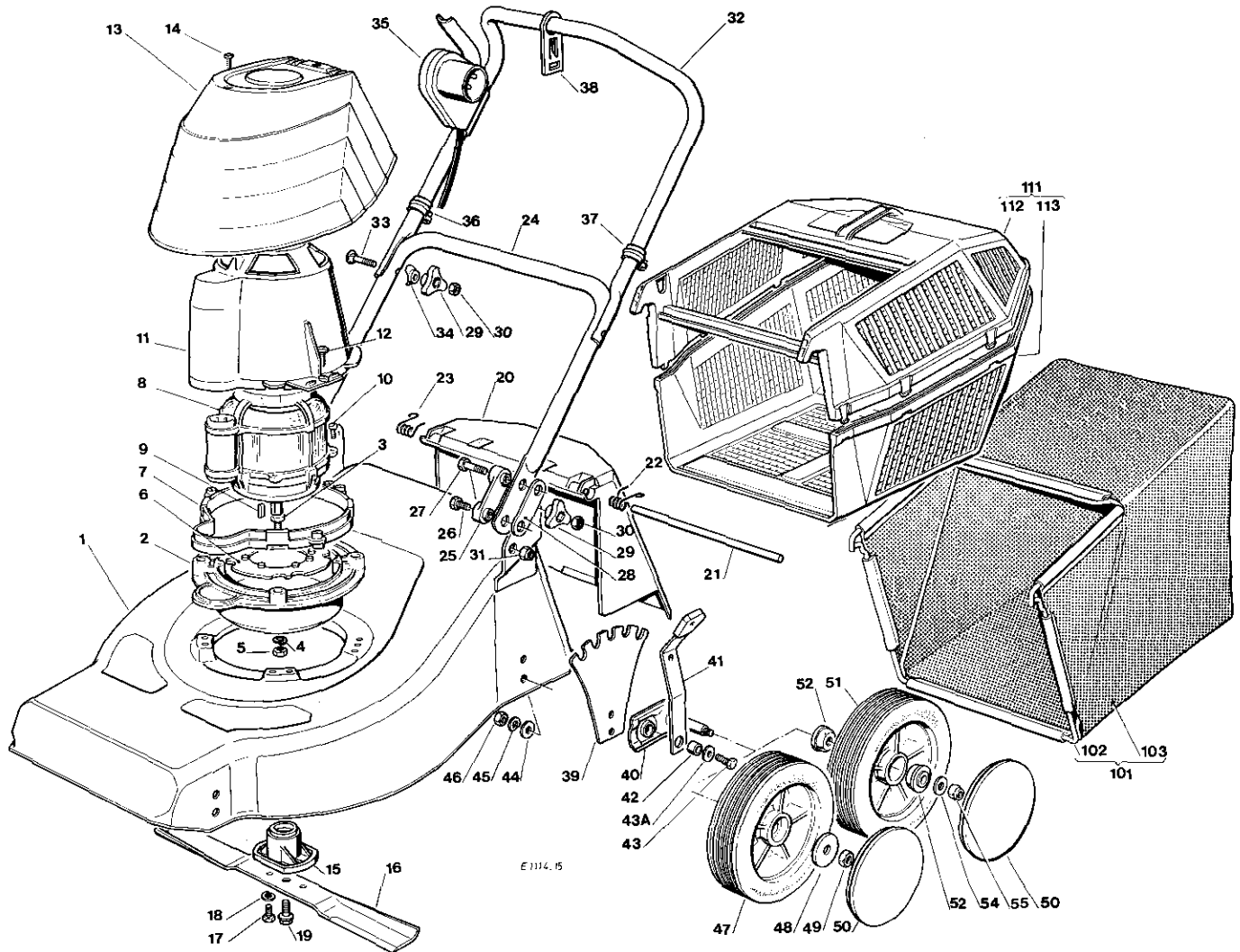


VISTE ESPLOSE  
EXPLODED VIEWS

VUES ECLATEES  
SPRENGZEICHNUNGEN

R 430  
R 430 S  
R 480

Mod. 1995



| Pos. Nr. | Codice Kodex Code | Descrizione                 | Description                | Description                 | Beschreibung               | Q.tà Q.ty Q.tè Menge |
|----------|-------------------|-----------------------------|----------------------------|-----------------------------|----------------------------|----------------------|
| 1        | 81000950/0        | CHASSIS ROSSO (R 430)       | RED DECK (R 430)           | CHASSIS ROUGE (R 430)       | ROT GEHÄUSE (R 430)        | 1                    |
| —        | 81000988/0        | CHASSIS GIALLO (R 430)      | YELLOW DECK (R 430)        | CHASSIS JAUNE (R 430)       | GELB GEHÄUSE (R 430)       | 1                    |
| —        | 81001542/0        | CHASSIS VERDE (R 430)       | GREEN DECK (R 430)         | CHASSIS VERT (R 430)        | GUEN GEHÄUSE (R 430)       | 1                    |
| —        | 81000952/0        | CHASSIS ROSSO (R 480)       | RED DECK (R 480)           | CHASSIS ROUGE (R 480)       | ROT GEHÄUSE (R 480)        | 1                    |
| —        | 81000991/0        | CHASSIS GIALLO (R 480)      | YELLOW DECK (R 480)        | CHASSIS JAUNE (R 480)       | GELB GEHÄUSE (R 480)       | 1                    |
| —        | 81001543/0        | CHASSIS VERDE (R 480)       | GREEN DECK (R 480)         | CHASSIS VERT (R 480)        | GUEN GEHÄUSE (R 480)       | 1                    |
| 2        | 22207211/2        | FLANGIA                     | FLANGE                     | BRIDE                       | FLANSCH                    | 1                    |
| 3        | 12793700/0        | VITE                        | SCREW                      | VIS                         | SCHRAUBE                   | 4                    |
| 4        | 12583500/0        | GROWER                      | GROWER                     | GROWER                      | FEDERRING                  | 4                    |
| 5        | 12293200/0        | DADO                        | NUT                        | ECROU                       | MUTTER                     | 4                    |
| 6        | 22720360/1        | SCHERMO VENTILAZIONE        | VENTILATION SCREEN         | ECRAU VENTILATION           | UFTUNGSSCHIRM              | 1                    |
| 7        | 22174006/1        | DISTANZIALE                 | SPACER                     | ENTRETOISE                  | DISTANZIARING              | 1                    |
| 8        | 18563062/0        | MOTORE IBMEI 1100W (230V)   | IBMEI MOTOR 1100W (230V)   | MOTEUR IBMEI 1100W (230V)   | MOTOR IBMEI 1100W (230V)   | 1                    |
| —        | 18563002/0        | MOTORE RST 1100W (220-230V) | RST MOTOR 1100W (220-230V) | MOTEUR RST 1100W (220-230V) | MOTOR RST 1100W (220-230V) | 1                    |
| —        | 18563042/0        | MOTORE IBMEI 1100W (240V)   | IBMEI MOTOR 1100W (240V)   | MOTEUR IBMEI 1100W (240V)   | MOTOR IBMEI 1100W (240V)   | 1                    |
| —        | 18563061/0        | MOTORE IBMEI 1500W (230V)   | IBMEI MOTOR 1500W (230V)   | MOTEUR IBMEI 1500W (230V)   | MOTOR IBMEI 1500W (230V)   | 1                    |
| —        | 18563006/0        | MOTORE RST 1500W (220-230V) | RST MOTOR 1500W (220-230V) | MOTEUR RST 1500W (220-230V) | MOTOR RST 1500W (220-230V) | 1                    |
| —        | 18563047/0        | MOTORE IBMEI 1500W (240V)   | IBMEI MOTOR 1500W (240V)   | MOTEUR IBMEI 1500W (240V)   | MOTOR IBMEI 1500W (240V)   | 1                    |

| Pos. Nr. | Codice Kodex Code | Descrizione   | Description  | Description   | Beschreibung   | Q.tà<br>Q.ty<br>Q.té<br>Menge |
|----------|-------------------|---|--|---|--|-------------------------------|
| 8A       | 18740051/0        | VENTOLA PER MOTORE RST  | RST MOTOR FAN  | VENTILATEUR MOTEUR RST  | RST LÜFTER   | 1                             |
| —        | 18740049/0        | VENTOLA PER MOTORE IBMEI  | IBMEI MOTOR FAN  | VENTILATEUR MOTEUR IBMEI  | IBMEI LÜFTER   | 1                             |
| 88       | 18222036/0        | CONDENSATORE 12 µF  | CONDENSER 12 µF  | CONDENSEUR 12 µF  | KONDENSATOR 12 µF  | 1                             |
| —        | 18222037/0        | CONDENSATORE 16 µF  | CONDENSER 16 µF  | CONDENSEUR 16 µF  | KONDENSATOR 16 µF  | 1                             |
| 9        | 12139440/0        | LINGUETTA   | FEATHER  | CLAVETTE  | KEIL   | 1                             |
| 10       | 12735410/0        | VITE  | SCREW  | VIS   | SCHRAUBE   | 4                             |
| 11       | 22785060/1        | SUPPORTO CAPOTTINA  | COVER SUPPORT  | SUPPORT CAPOT   | HAUBEHALTER  | 1                             |
| 12       | 12728710/0        | VITE  | SCREW  | VIS   | SCHRAUBE   | 4                             |
| 13       | 81002057/0        | ASS. CAPOTTINA  | COVER ASS.Y  | ENS. CAPOT  | KOMPLETTE HAUBE  | 1                             |
| 14       | 12728680/0        | VITE  | SCREW  | VIS   | SCHRAUBE   | 2                             |
| 15       | 22463186/1        | MOZZO   | HUB  | MOYEU   | HALTER   | 1                             |
| 16       | 81004341/2        | COLTELLO STANDARD (41 cm.)  | STANDARD BLADE (41 cm.)  | LAME STANDARD (41 cm.)  | STANDARD MESSER (41 cm.)   | 1                             |
| —        | 81004396/0        | COLTELLO ALETTATO (41 cm.)  | WINGS BLADE (41 cm.)   | LAME À AILETTES (41 cm.)  | FLUEGEL MESSER (41 cm.)  | 1                             |
| —        | 81004346/2        | COLTELLO STANDARD (46 cm.)  | STANDARD BLADE (46 cm.)  | LAME STANDARD (46 cm.)  | STANDARD MESSER (46 cm.)   | 1                             |
| —        | 81004397/0        | COLTELLO ALETTATO (46 cm.)  | WINGS BLADE (46 cm.)   | LAME À AILETTES (46 cm.)  | FLUEGEL MESSER (46 cm.)  | 1                             |
| 17       | 12793101/0        | VITE  | SCREW  | VIS   | SCHRAUBE   | 2                             |
| 18       | 12583500/0        | GROWER  | GROWER   | GROWER  | FEDERRING  | 2                             |
| 19       | 81004352/0        | ASS. VITE   | SCREW ASS.Y  | ENS. VIS  | ENS. SCHRAUBE  | 1                             |
| 20       | 22600028/3        | PARASASSI   | STONE-GUARD  | PARE-PIERRES  | PRALLBLECH   | 1                             |
| 21       | 22517906/0        | PERNO   | PIN  | PIVOT   | BOLZEN   | 1                             |
| 22       | 22450420/1        | MOLLA SX  | LEFT SPRING  | RESSORT GAUCHE  | LINK FEDER   | 1                             |
| 23       | 22450410/1        | MOLLA DX  | RIGHT SPRING   | RESSORT DROITE  | RECHTE FEDER   | 1                             |
| 24       | 81007013/0        | PORTE INF. MANICD   | LOWER HANDLE   | PARTIE INF. MANCHERON   | HOLMUNTERTEIL  | 1                             |
| 25       | 22551575/0        | PIASTRINA INTERNA   | INSIDE PLAQUE  | PLAQUETTE INTERNE   | ISOLIERPLATTE  | 2                             |
| 26       | 12793300/0        | VITE  | SCREW  | VIS   | SCHRAUBE   | 2                             |
| 27       | 12691115/0        | VITE  | SCREW  | VIS   | SCHRAUBE   | 2                             |
| 28       | 22551574/0        | PIASTRINA ESTERNA   | OUTSIDE PLAQUE   | PLAQUETTE EXTERNE   | ISOLIERPLATTE  | 2                             |
| 29       | 22399900/0        | MANOPOLINA  | KNOB   | POIGNEE   | GRIFT  | 4                             |
| 30       | 12293200/0        | DADO  | NUT  | ECROU   | MUTTER   | 4                             |
| 31       | 12155000/0        | DADO  | NUT  | ECROU   | MUTTER   | 2                             |
| 32       | 81007017/0        | PORTE SUP. MANICO   | UPPER HANDLE   | PARTIE SUP. MANCHERON   | HOLMOBERTEIL   | 1                             |
| 33       | 12819201/0        | VITE  | SCREW  | VIS   | SCHRAUBE   | 2                             |
| 34       | 226800061/1       | RONDELLA  | WASHER   | RONDELLE  | SCHEIBE  | 2                             |
| 35       | 18710561/0        | SALVAMOTORE M.M. 7 AMP.<br>602 MS (1100W)                             | DEAD HAND SWITCH 7 AMP.<br>602 MS (1100W)                                | INT. MAIN MORTE 7 AMP.<br>602 MS (1100W)                                    | TOT MANSCHALTER 7 AMP.<br>602 MS (1100W)                           | 1                             |
| —        | 18710620/0        | SALVAMOTORE M.M. 7 AMP.<br>607 MS (1100W)                             | DEAD HAND SWITCH 7 AMP.<br>607 MS (1100W)                                | INT. MAIN MORTE 7 AMP.<br>607 MS (1100W)                                    | TOT MANSCHALTER 7 AMP.<br>607 MS (1100W)                           | 1                             |
| —        | 18710608/0        | SALVAMOTORE M.M. 7 AMP.<br>603 MS (1100W)                             | DEAD HAND SWITCH 7 AMP.<br>603 MS (1100W)                                | INT. MAIN MORTE 7 AMP.<br>603 MS (1100W)                                    | TOT MANSCHALTER 7 AMP.<br>603 MS (1100W)                           | 1                             |
| —        | 18710604/0        | SOLO PER SVIZZERA<br>SALVAMOTORE M.M. 10 AMP.<br>602 MS (1500W IBMEI) | ONLY FOR SWITZERLAND<br>DEAD HAND SWITCH 10 AMP.<br>602 MS (1500W IBMEI) | SEULEMENT POUR LA SUISSE<br>INT. MAIN MORTE 10 AMP.<br>602 MS (1500W IBMEI) | NUR FÜR SCHWEIZ<br>TOT MANSCHALTER 10 AMP.<br>602 MS (1500W IBMEI) | 1                             |
| —        | 18710610/0        | SALVAMOTORE M.M. 9.5 AMP.<br>602 MS (1500W RST)                       | DEAD HAND SWITCH 9.5 AMP.<br>602 MS (1500W RST)                          | INT. MAIN MORTE 9.5 AMP.<br>602 MS (1500W RST)                              | TOT MANSCHALTER 9.5 AMP.<br>602 MS (1500W IRST)                    | 1                             |
| —        | 18710623/0        | SALVAMOTORE M.M. 9.5<br>607 MS (1500W)                                | DEAD HAND SWITCH 9.5<br>607 MS (1500W)                                   | INT. MAIN MORTE 9.5<br>607 MS (1500W)                                       | TOT MANSCHALTER 9.5<br>607 MS (1500W)                              | 1                             |
| —        | 18710572/0        | SALVAMOTORE M.M. 10 AMP.<br>603 MS (1500W IBMEI)                      | DEAD HAND SWITCH 10 AMP.<br>603 MS (1500W IBMEI)                         | INT. MAIN MORTE 10 AMP.<br>603 MS (1500W IBMEI)                             | TOT MANSCHALTER 10 AMP.<br>603 MS (1500W IBMEI)                    | 1                             |
| —        | 18710609/0        | SOLO PER SVIZZERA<br>SALVAMOTORE M.M. 9.5<br>603 MS (1500W RST)       | ONLY FOR SWITZERLAND<br>DEAD HAND SWITCH 9.5<br>603 MS (1500W RST)       | SEULEMENT POUR LA SUISSE<br>INT. MAIN MORTE 9.5<br>603 MS (1500W RST)       | NUR FÜR SCHWEIZ<br>TOT MANSCHALTER 9.5<br>603 MS (1500W RST)       | 1                             |
| 36       | 22192000/1        | FASCETTA ANCORAGGIO   | ANCHOR CLAMP   | COLLIER ANCRAGE   | BOWDENZUGHALTER  | 2                             |
| 37       | 22192150/0        | FERMACAVO   | FAIR LEAD  | FIXATION CABLE  | KABELBEFESTIGUNG   | 1                             |
| 38       | 22195101/0        | FERMACAVO   | FAIR LEAD  | FIXATION CABLE  | KABELBEFESTIGUNG   | 1                             |
| 39       | 22735537/0        | SETTORE REGOLAZIONE   | ADJUSTERS SECTOR   | SECTEUR REGLAGE   | VERSTELLUNGSSEKTOR   | 4                             |
| 40       | 81005082/0        | SUPPORTO RUOTA  | WHEEL SUPPORT  | SUPPORT ROUE  | RADHALTER  | 4                             |
| 41       | 81003273/0        | LEVA REGOLAZIONE  | ADJUSTMENT LEVER   | LEVIER REGLAGE  | VERSTELLUNGHEBEL   | 4                             |
| 42       | 22171001/0        | DISTANZIALE   | SPACER   | ENTRETOISE  | DISTANZRING  | 4                             |
| 43       | 12793701/0        | VITE  | SCREW  | VIS   | SCHRAUBE   | 4                             |
| 43A      | 12521350/0        | RONDELLA  | WASHER   | RONDELLE  | SCHEIBE  | 4                             |
| 44       | 12523070/0        | RONDELLA  | WASHER   | RONDELLE  | SCHEIBE  | 4                             |
| 45       | 12583500/0        | GROWER  | GROWER   | GROWER  | FEDERRING  | 4                             |
| 46       | 12293200/0        | DADO  | NUT  | ECROU   | MUTTER   | 4                             |
| 47       | 81007325/0        | RUOTA Ø 170 NERA  | BLACK WHEEL Ø 170  | ROUE NOIRE Ø 170  | SCHWARZE RAD Ø 170   | 4                             |
| 48       | 12523060/0        | RONDELLA  | WASHER   | RONDELLE  | SCHEIBE  | 4                             |
| 49       | 12293201/0        | DADO  | NUT  | ECROU   | MUTTER   | 4                             |
| 50       | 22110262/0        | COPRIMOZZO BIANCO   | WHITE HUB CAP  | COUVRE-MOYEU BLANCHE  | WEISSE RADKAPPE  | 4                             |
| —        | 22110263/0        | COPRIMOZZO GIALLO   | YELLOW HUB CAP   | COUVRE-MOYEU JAUNE  | GELB RADKAPPE  | 4                             |

**VARIANTI RUOTE Ø 170  
SU BOCCOLE**

**WHEELS VARIANTS Ø 170  
ON BUSCHINGS**

**VARIANTES ROUES Ø 170  
SUR DOUILLES**

**ÄNDERUNGEN AUF  
RÄDER Ø 170 MIT BÜCHSEN**

|     |            |                    |                               |                       |                 |   |
|-----|------------|--------------------|-------------------------------|-----------------------|-----------------|---|
| 51  | 81007326/0 | RUOTA NERA         | BLACK WHEEL                   | ROUE NOIRE            | SCHWARZE RAD    | 4 |
| 52  | 22034508/0 | BOCCOLA            | BUSCHING                      | DOUILLE               | BÜCHSE          | 8 |
| 54  | 12521350/0 | RONDELLA           | WASHER                        | RONDELLE              | SCHEIBE         | 4 |
| 55  | 12155000/0 | DADO               | NUT                           | ECROU                 | MUTTER          | 4 |
| 101 | 98004000/0 | ASS. SACCO IN TELA | CANVASS GRASSCATCHER<br>ASS.Y | ENSEMBLE SAC EN TOILE | KOMPLETTER SACK | 1 |
| 102 | 81006408/0 | TELAIO             | CHASSIS                       | CHASSIS               | RAHMEN          | 1 |
| 103 | 81002105/1 | TELA SACCO         | FABRIC BOX                    | TOILE POUR SAC        | TUCK FÜR SACK   | 1 |
| 111 | 98005000/1 | SACCO COMPLETO     | COMPLETE GRASS-BOX            | SAC COMPLET           | KOMPLETTER KORB | 1 |
| 112 | 22486076/0 | PORTE SUP. SACCO   | UPPER GRASS-BOX               | PARTIE SUP. SAC       | KORB OBERTEIL   | 1 |
| 113 | 22486077/0 | PORTE INF. SACCO   | LOWER GRASS-BOX               | PARTIE INF. SAC       | KORB UNTERTEIL  | 1 |
| —   | 81008596/0 | DOTAZIONE VITERIA  | SCREWS OUTFIT                 | DOTATION VISSERIE     | SCHRAUBEN SATZ  | 1 |