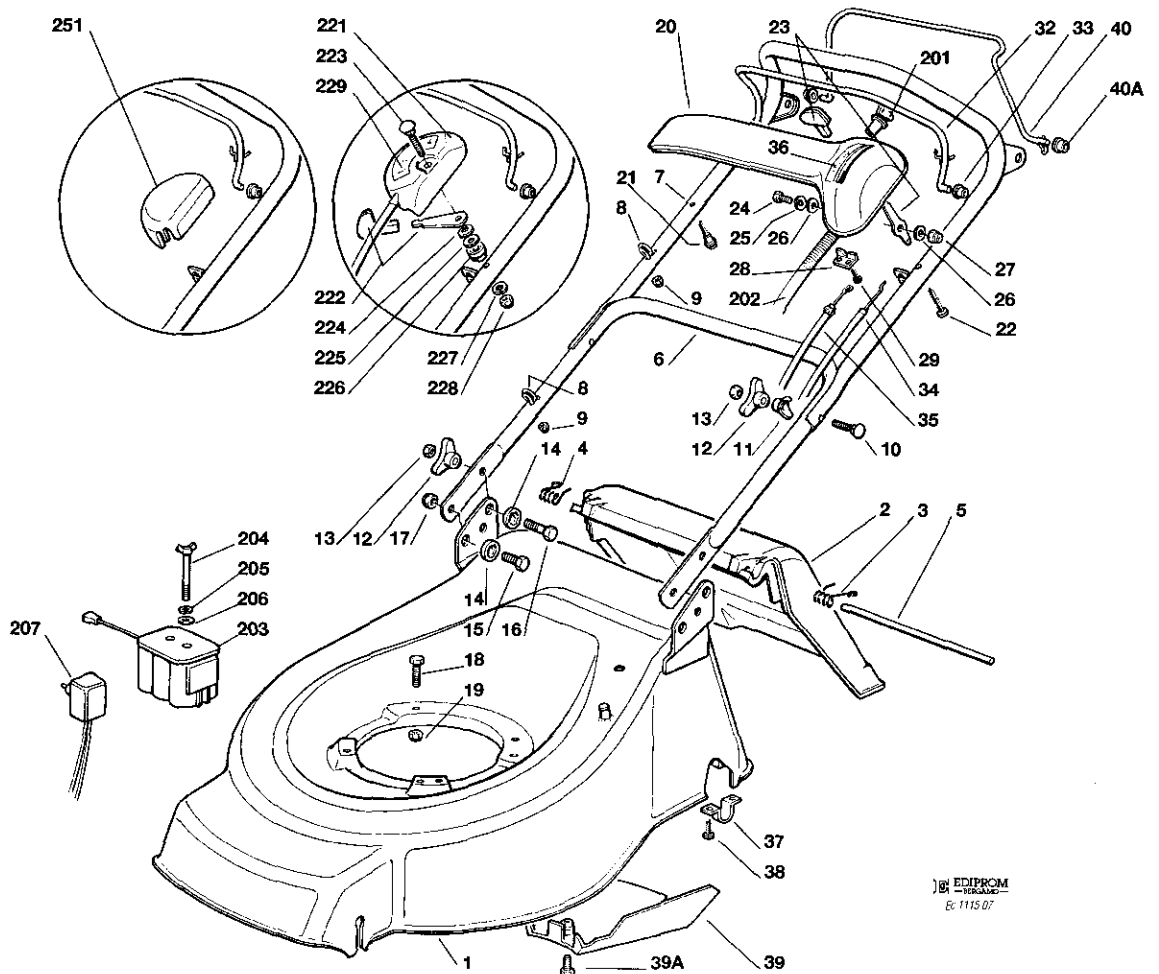


VISTE ESPLOSE
EXPLODED VIEWS
VUES ECLATEES
SPRENGZEICHNUNGEN

TDL 484 TR
TDL 484 TR-E

Mod. 1995

CHASSIS - MANICO - COMANDI
DECK - HANDLE - CONTROLS
CHASSIS - MANCHERON - COMMANDES
GEHÄUSE - HOLM - BETÄTIGUNGEN



EDIPROM
E 1115 07

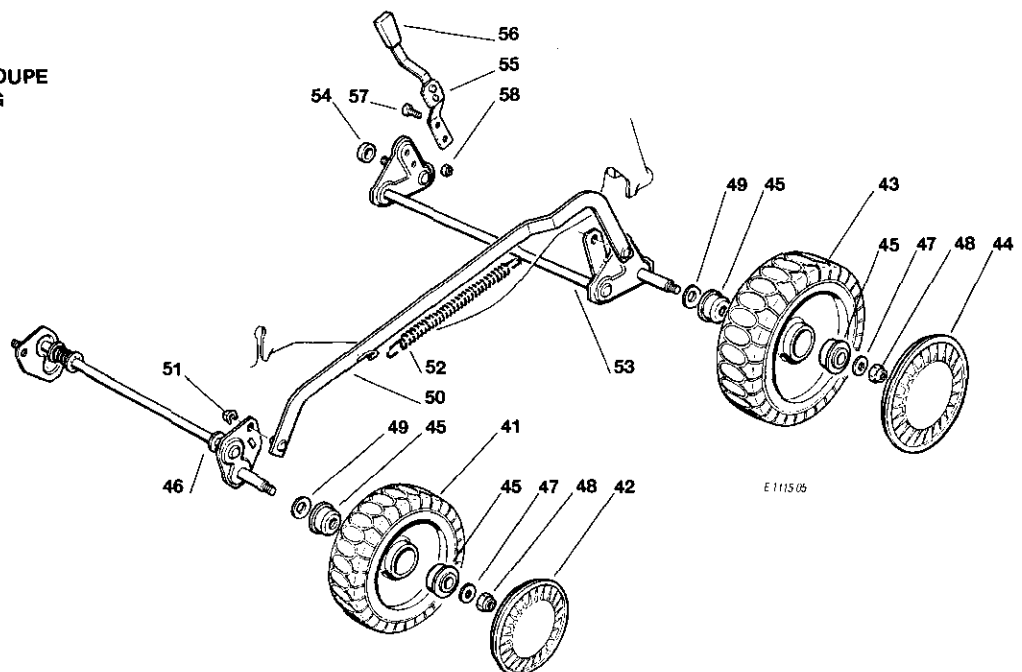
Pos. Nr.	Code Code Kodex	Descrizione	Description	Description	Beschreibung	Q.tà Q.ty-Q.tè Menge
1	81001378/0	CHASSIS VERDE TDL 484 TR	GREEN DECK TDL 484 TR	CHASSIS VERT TDL 484 TR	GRÜN GEHÄUSE TDL 484 TR	1
-	81001379/0	CHASSIS VERDE TDL 484 TR-E	GREEN DECK TDL 484 TR-E	CHASSIS VERT TDL 484 TR-E	GRÜN GEHÄUSE TDL 484 TR-E	1
-	81001356/0	CHASSIS GIALLO TDL 484 TR	YELLOW DECK TDL 484 TR	CHASSIS JAUNE TDL 484 TR	GELB GEHÄUSE TDL 484 TR	1
-	81001357/0	CHASSIS GIALLO TDL 484 TR-E	YELLOW DECK TDL 484 TR-E	CHASSIS JAUNE TDL 484 TR-E	GELB GEHÄUSE TDL 484 TR-E	1
-	81001345/0	CHASSIS ROSSO TDL 484 TR	RED DECK TDL 484 TR	CHASSIS ROUGE TDL 484 TR	ROT GEHÄUSE TDL 484 TR	1
-	81001346/0	CHASSIS ROSSO TDL 484 TR-E	RED DECK TDL 484 TR-E	CHASSIS ROUGE TDL 484 TR-E	ROT GEHÄUSE TDL 484 TR-E	1
2	22600046/0	PARASASSI	STONE-GUARD	PARE-PIERRES	PRALLBLECH	1
3	22450420/1	MOLLA SINISTRA	LEFT SPRING	RESSORT GAUCHE	LINK FEDER	1
4	22450410/1	MOLLA DESTRA	RIGHT SPRING	RESSORT DROITE	RECHTE FEDER	1
5	22517906/0	PERNO	PIN	PIVOT	BOLZEN	1
6	81007013/0	PARTE INFERIORE MANICO	LOWER HANDLE	PARTIE INF. MANCHERON	HOLMUNTERTEIL	1
7	81007006/0	PARTE SUPERIORE MANICO	UPPER HANDLE	PARTIE SUP. MANCHERON	HOLMOBERTEIL	1
8	22430309/0	MOLLA GUIDA	SPRING	RESSORT	FEDER	2
9	12154330/0	DADO	NUT	ECROU	MUTTER	2
10	12819201/0	VITE	SCREW	VIS	SCHRAUBE	2
11	22680006/1	RONDELLA	WASHER	RONDELLE	SCHEIBE	2
12	22399900/0	MANOPOLINA	KNOB	POIGNEE	GRIFF	4
13	12293200/0	DADO	NUT	ECROU	MUTTER	4
14	22041955/0	BUSSOLA	BUSH	DOUILLE	BUCHSE	4
15	12792610/0	VITE	SCREW	VIS	SCHRAUBE	2
16	12793700/0	VITE	SCREW	VIS	SCHRAUBE	2
17	12155000/0	DADO	NUT	ECROU	MUTTER	2
18	12793700/0	VITE M8 x 30	SCREW M8 x 30	VIS M8 x 30	SCHRAUBE M8 x 30	3/2
-	12793900/0	VITE M8 x 60	SCREW M8 x 60	VIS M8 x 60	SCHRAUBE M8 x 60	0/1
19	12293201/0	DADO	NUT	ECROU	MUTTER	3/2
-	12155000/0	DADO	NUT	ECROU	MUTTER	0/1
20	22120152/0	CRUSCOTTO GIALLO	YELLOW DASH BOARD	CONSOLE JAUNE	GELB KONSOLE	1
21	22943006/0	VITE	SCREW	VIS	SCHRAUBE	1
22	12728460/0	VITE	SCREW	VIS	SCHRAUBE	1
23	81007280/0	ASS. LEVA + MANOPOLINA	LEVER+KNOB ASS.Y	ENS. LEVIER+POIGNEE	HEBEL+GRIFF SATZ	1

CN 71503522/0

Printed in Italy

Pos. Nr.	Codice Code Kodex	Descrizione	Description	Description	Beschreibung	Q.tà Q.ty-Q.tè Menge
↓						
24	12791500/0	VITE	SCREW	VIS	SCHRAUBE	1
25	12530060/0	RONDELLA ELASTICA	SPRING WASHER	RONDELLE ELASTIQUE	FERDERSCHEIBE	1
26	12533040/0	RONDELLA	WASHER	RONDELLE	SCHIBE	2
27	12154510/0	DADO	NUT	ECROU	MUTTER	1
28	22981467/0	PIASTRINA	PLATE	PLAQUETTE	PLATTE	1
29	12735105/0	VITE	SCREW	VIS	SCHRAUBE	2
32	81003289/0	LEVA FRENO MOTORE	BRAKE LEVER	LEVIER FREIN MOTEUR	MOTORBREMSEHEBEL	1
33	22041966/0	BOCCOLA	BUSH	DOUILLE	BUCHSE	2
34	81007160/0	CAVO ACCELERATORE	THROTTLE CABLE	CABLE ACCELERATEUR	BESCHLEUNIGER KABEL	1
35	81000626/0	CAVO FRENO MOTORE	THREAD MOTOR BRAKE	CABLE FREIN MOTEUR	MOTORBREMSEKABEL	1
		TD 434 (Quantum XM)	TD 434 (Quantum XM)	TD 434 (Quantum XM)	TD 434 (Quantum XM)	
-	81000627/0	CAVO FRENO MOTORE	THREAD MOTOR BRAKE	CABLE FREIN MOTEUR	MOTORBREMSEKABEL	1
		TD 434 (Sprint 375)	TD 434 (Sprint 375)	TD 434 (Sprint 375)	TD 434 (Sprint 375)	
-	81000623/0	CAVO FRENO MOTORE	THREAD MOTOR BRAKE	CABLE FREIN MOTEUR	MOTORBREMSEKABEL	1
		TD 434-484 (Tecumseh)	TD 434-484 (Tecumseh)	TD 434-484 (Tecumseh)	TD 434-484 (Tecumseh)	
-	81000624/0	CAVO FRENO MOTORE	THREAD MOTOR BRAKE	CABLE FREIN MOTEUR	MOTORBREMSEKABEL	1
		TD 484 (Quantum XM)	TD 484 (Quantum XM)	TD 484 (Quantum XM)	TD 484 (Quantum XM)	
-	81000625/0	CAVO FRENO MOTORE	THREAD MOTOR BRAKE	CABLE FREIN MOTEUR	MOTORBREMSEKABEL	1
		TD 484 (Sprint 375)	TD 484 (Sprint 375)	TD 484 (Sprint 375)	TD 484 (Sprint 375)	
36	14356743/0	ETICHETTA (Tecumseh)	LABEL (Tecumseh)	ETIQUETTE (Tecumseh)	ETIKETTE (Tecumseh)	1
-	14356744/0	ETICHETTA (B&S)	LABEL (B&S)	ETIQUETTE (B&S)	ETIKETTE (B&S)	1
37	22545152/0	PIASTRINA	PLATE	PLAQUETTE	PLATTE	2
38	12731350/0	VITE	SCREW	VIS	SCHRAUBE	4
39	22060192/0	CARTER	DECK	CHASSIS	CHASSIS	1
39A	12727791/0	VITE	SCREW	VIS	SCHRAUBE	1
40	81003288/0	LEVA TRAZIONE	DRIVING LEVER	LEVIER TRACTION	ANTRIEBHEBEL	1
40A	22041965/0	BOCCOLA	BUSH	DOUILLE	BUCHSE	2
		Varianti per avviamento elettrico	Parts for electric start	Composants pour démarrage électrique	Elektrostart Bestandteile	
201*	18450050/0	INTERRUTTORE	SWITCH	INTERRUPTEUR	SCHALTER	1
202*	18204190/1	ASSIEME CABLAGGIO	CABLES UNIT	ENS. CABLAGE	KABEL	1
203*	18120050/0	BATTERIA 12V - 2,5 AH	BATTERY 12V - 2,5 AH	BATTERIE 12V - 2,5 AH	BATTERIE 12V - 2,5 AH	1
204	22517855/0	PERNO	PIN	PIVOT	BOLZEN	2
205	12523000/0	RONDELLA	WASHER	RONDELLE	SCHIBE	2
206	12540020/0	RONDELLA	WASHER	RONDELLE	SCHIBE	2
207*	18204110/0	CARICA BATTERIA	BATTERY CHARGER	CHARGEUR DE BATTERIE	LADGERAET	1
		Variante acceleratore	Throttle variants	Variantes de comande d'acceleration	Anderungen auf Gashebel	
221	81007080/0	ASSIEME ACCELERATORE	TROTTLER UNIT ASS.Y	ENS. ACCELERATEUR	BESCHLEUNIGER	1
222	81007279/0	ASS. LEVA + MANOPOLINA	LEVER+KNOB ASS.Y	ENS. LEVIER+POIGNEE	HEBEL+GRIFF SATZ	1
223	12815000/0	VITE	SCREW	VIS	SCHRAUBE	1
224	12508100/0	RONDELLA ELASTICA	SPRING WASHER	RONDELLE ELASTIQUE	FERDERSCHEIBE	1
225	12521360/0	RONDELLA	WASHER	RONDELLE	SCHIBE	2
226	22171005/0	DISTANZIALE	SPACER	ENTRETOISE	DISTANZRING	1
227	12581500/0	GROWER	GROWER	GROWER	FEDERRING	1
228	12291000/0	DADO	NUT	ECROU	MUTTER	1
229	14356702/0	ETICHETTA (Tecumseh)	LABEL (Tecumseh)	ETIQUETTE (Tecumseh)	ETIKETTE (Tecumseh)	1
-	14356703/0	ETICHETTA (B&S)	LABEL (B&S)	ETIQUETTE (B&S)	ETIKETTE (B&S)	1
		Variante regime fisso	R.p.m. variants	Variantes pour modèle à regime fixe	Anderungen für Modelle mit fixierter Drehzahl	
251	22601000/0	PROTEZIONE	PROTECTION	PROTECTION	SCHUTZ	1

RUOTE E REGOLAZIONE
WHEELS AND HEIGHT ADJUSTING
ROUES ET REGLAGE HAUTEUR DE COUPE
RAEDER UND SCHNITTVERSTELLUNG



Dovendo sostituire in garanzia le parti contrassegnate con * rivolgersi al Costruttore del motore

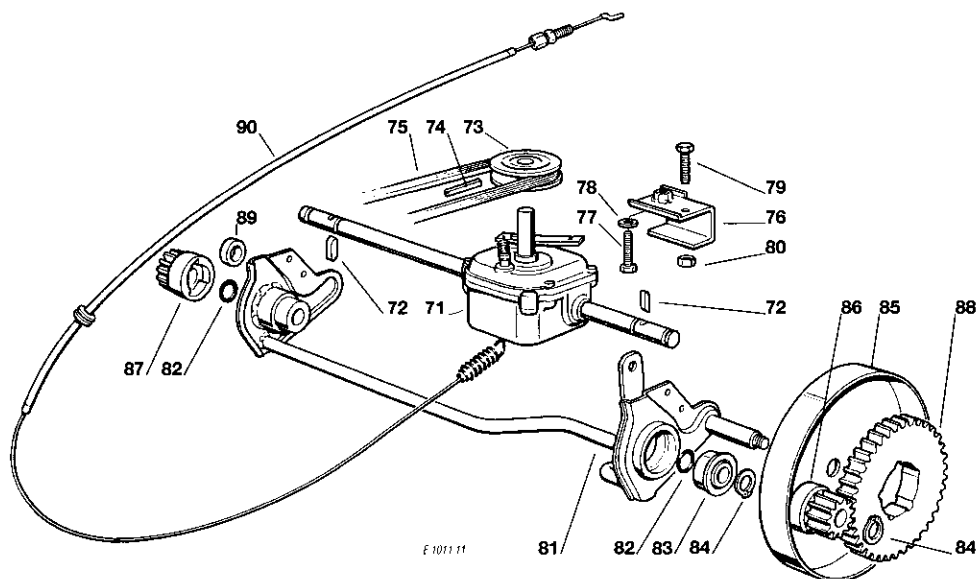
If you have to change the pieces indicated with * on warranty you adress to after sales service of Engine Manufacturer

Si vous devez substituer les pièces indiquées avec * sous garantie vous devez vous adresser au service après ventes de la Mainson Constructrice du moteur

Bitte wenden sie sich bei Garantierparaturen der mit * gekennzeichneten Teile an die Kundenienststelle des Motorhersteller

Pos. Nr.	Codice Code Kodex	Descrizione	Description	Description	Beschreibung	Q.tà Q.ty-Q.tè Menge
41	81007317/0	RUOTA SCOLPITA Ø 170	NOBBLY WHEEL Ø 170	ROUE SCULPTEE Ø 170	RAD M. STOLLENPR. Ø 170	2
42	22110282/0	COPRIMOZZO BIANCO	WHITE HUB CAP	COUVRE-MOYEU BLANCHE	WEISSE RADKAPPE	2
-	22110288/0	COPRIMOZZO GIALLO	YELLOW HUB CAP	COUVRE-MOYEU JAUNE	GELB RADKAPPE	2
43	81007318/0	RUOTA SCOLPITA Ø 210	NOBBLY WHEEL Ø 210	ROUE SCULPTEE Ø 210	RAD M. STOLLENPR. Ø 210	2
44	22110281/0	COPRIMOZZO BIANCO	WHITE HUB CAP	COUVRE-MOYEU BLANCHE	WEISSE RADKAPPE	2
-	22110287/0	COPRIMOZZO GIALLO	YELLOW HUB CAP	COUVRE-MOYEU JAUNE	GELB RADKAPPE	2
45	22122200/0	CUSCINETTO	BEARING	COUSSINET	KUGELLAGER	8
46	81001274/0	ASSE RUOTE ANTERIORI	FRONT WHEEL AXLE	AXE ROUE ANTERIEURE	VORDERRAEDER ACHSE	1
47	12521350/0	RONDELLA	WASHER	RONDELLE	SCHEIBE	2
48	12155000/0	DADO	NUT	ECROU	MUTTER	4
49	12530150/0	RONDELLA ELASTICA	SPRING WASHER	RONDELLE ELASTIQUE	ELASTISCHE SCHEIBE	2
50	81001276/0	ASTA	ROD	TIGE	STANGE	1
51	12436050/0	PIASTRINA	PLATE	PLAQUETTE	PLÄTTCHEN	2
52	22446180/0	MOLLA	SPRING	RESSORT	FEDER	1
53	81003279/1	LEVA REGOLAZIONE	ADJUSTMENT LEVER	LEVIER REGLAGE	VERSTELLUNG HEBEL	1
54	22397000/0	MANOPOLA	KNOB	POIGNEE	GRIFF	1
55	12789000/0	VITE	SCREW	VIS	SCHRAUBE	2
56	12154330/0	DADO	NUT	ECROU	MUTTER	2

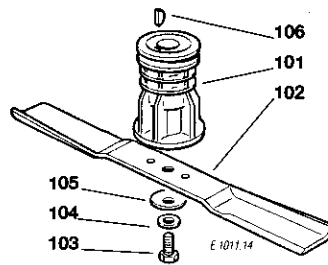
**GRUPPO TRAZIONE
REAR DRIVE
GROUPE TRACTION
ANTRIEB**



71	18652002/0	GRUPPO TRAZIONE (PLASTICA)	REAR DRIVE (PLASTIC)	GROUPE TRACTION (PLASTIQUE)	ANTRIEB (KUNSTOFF)	1
-	18652012/0	GRUPPO TRAZIONE (ALLUMINIO)	REAR DRIVE (ALUMINIUM)	GROUPE TRACTION (ALUMINIUM)	ANTRIEB (ALUMINIUM)	1
72	22328600/1	LINGUETTA TRASCINAMENTO	DRIVING KEY	CLAVETTE	MITNEHMERLAPPEN	2
73	22601904/0	PULEGGIA 4 KM/H	PULLEY 4 KM/H	POULIE 4 KM/H	RIEMENSCHLEIBE 4 KM/H	1
74	12645705/0	SPINA	PIN	GOUPILLE	STIFT	1
75	35063800/0	CINGHIA Z 27	BELT Z 27	COURROIE Z 27	RIEMEN Z 27	1
76	81005104/0	SUPPORTO TRAZIONE	SUPPORT	SUPPORT	ANTRIEBHALTER	1
77	12793600/0	VITE	SCREW	VIS	SCHRAUBE	1
78	12521350/0	RONDELLA	WASHER	RONDELLE	SCHEIBE	1
79	12689515/0	VITE	SCREW	VIS	SCHRAUBE	1
80	12154500/0	DADO	NUT	ECROU	MUTTER	1
81	81001252/1	ASSE RUOTE POSTERIORE	REAR WHEELS AXLE	AXE ROUES ARRIERE	HINTERRAEDER ACHSE	1
82	12019900/0	ANELLO OR	OR RING	BAGUE OR	RING OR	2
83	22122200/0	CUSCINETTO	BEARING	ROULEMENT	KUGELLAGER	2
84	12608600/0	SEEGER	SEEGER	SEEGER	SEEGER	4
85	81006846/0	PROTEZIONE RUOTE	WHEEL GUARD	PROTECTION ROUE	RAEDERSCHUTZ	2
86	22570120/0	PIGNONE SINISTRO	LEFT PINION	PIGNON GAUCHE	RECHT RITZEL	1
87	22570110/0	PIGNONE DESTRO	RIGHT PINION	PIGNON DROITE	LINCHT RITZEL	1
88	22120105/1	CORONA	RING GEAR	COURONNE	KRANZ	2
89	22170800/0	DISTANZIALE	SPACER	ENTRETOISE	DISTANZRING	1
90	81001143/0	COMANDO TRAZIONE	REAR DRIVE	GROUPE TRACTION	ANTRIEB	1

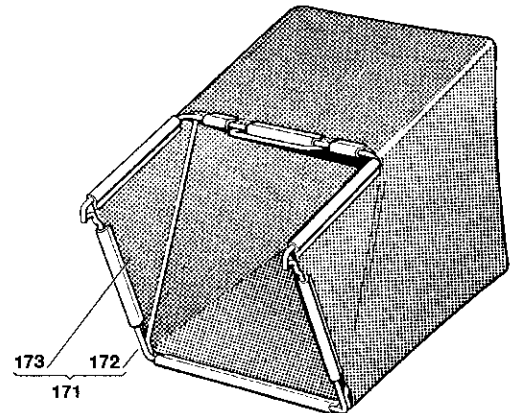
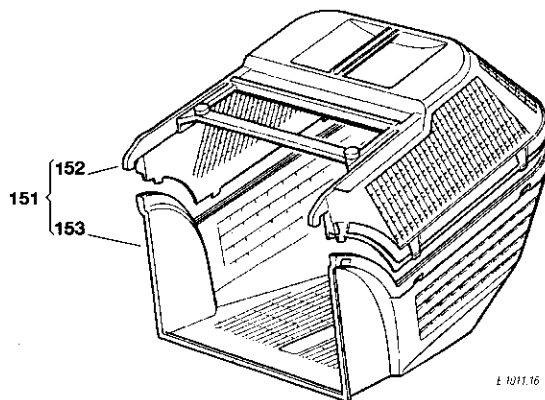
Pos. Nr.	Codice Code Kodex	Descrizione	Description	Description	Beschreibung	Q.tà Q.ty-Q.tè Menge
----------	-------------------	-------------	-------------	-------------	--------------	----------------------------

**GRUPPO COLTELLO
BLADE ASS.Y
GROUPE DES LAMES
MESSERSATZT**



101	22465607/0	MOZZO	HUB	MOYEU	HALTER	1
102	81004346/2	COLTELLO STANDARD	STANDARD BLADE	LAME STANDARD	STANDARD MESSER	1
-	81004397/0	COLTELLO ALETTATO	WINGS BLADE	LAME À AILETTES	FLUEGELMESSER	1
103	12735698/0	VITE	SCREW	VIS	SCHRAUBE	1
104	12523080/0	RONDELLA	WASHER	RONDELLE	SCHEIBE	1
105	22160400/0	DISCO ELASTICO	ELASTIC WASHER	RONDELLE ELASTIQUE	ELASTISCHE SCHEIBE	1
106	12139100/0	LINGUETTA	FEATHER	CLAVETTE	KEIL	1

**SACCO RACCOGLIERBA E DOTAZIONE
GRASS-CATCHER AND SCREWS OUTFITS
BAC DE RAMASSAGE ET DOTATION VISSERIE
GRASFANGKORB UND SCHRAUBENSATZ**



151	94004000/0	SACCO COMPLETO	COMPLETE GRASS-BOX	BAC COMPLET	KOMPLETTER KORB	1
152	22486073/0	PARTE SUPERIORE SACCO	UPPER GRASS-BOX	PARTIE SUPERIEURE SAC	KORB OBERTeil	1
153	22486074/0	PARTE INFERIORE SACCO	LOWER GRASS-BOX	PARTIE INFERIEURE SAC	KORB UNTERTEIL	1
171	94005000/0	ASSIEME SACCO TELA	CANVASS GRASSCATCHER ASS.Y	ENSEMBLE SAC EN TOILE	KOMPLETTER SACK	1
172	81006418/0	TELAIO	CHASSIS	CHASSIS	RAHMEN	1
173	81002105/0	TELA SACCO	FABRIC BOX	TOILE POUR SAC	TUCK FÜR SACK	1
-	81008605/0	DOTAZIONE VITERIA	SCREWS OUTFIT	DOTATION VISSERIE	SCHRAUBEN SATZ	1