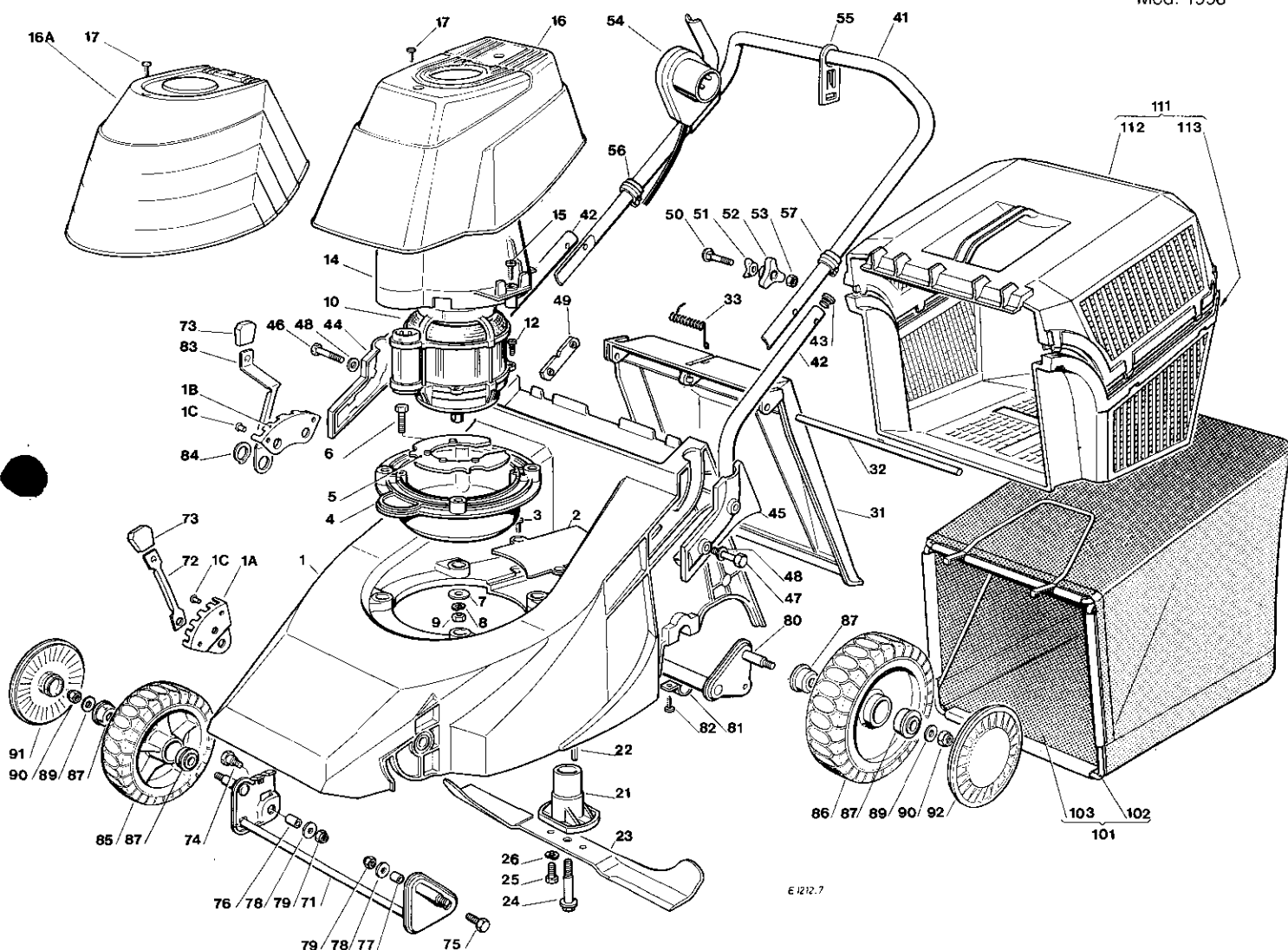


VISTE ESPLOSE  
EXPLODED VIEWS

VUES ECLATEES  
SPRENGZEICHNUNGEN

T 430  
T 430 S  
T 480

Mod. 1996



E 1212.7

Pos. Nr.	Codice Kodex Code	Descrizione	Description	Description	Beschreibung	Q.tà Q.ty Q.tè Menge
1	81001415/1	CHASSIS ROSSO (T 430)	RED DECK (T 430)	CHASSIS ROUGE (T 430)	ROTES GEHÄUSE (T 430)	1
—	81001417/1	CHASSIS GIALLO (T 430)	YELLOW DECK (T 430)	CHASSIS JAUNE (T 430)	GELBES GEHÄUSE (T 430)	1
—	81001421/1	CHASSIS VERDE (T 430)	GREEN DECK (T 430)	CHASSIS VERT (T 430)	GRÜNES GEHÄUSE (T 430)	1
—	81001416/1	CHASSIS ROSSO (T 480)	RED DECK (T 480)	CHASSIS ROUGE (T 480)	ROTES GEHÄUSE (T 480)	1
—	81001418/1	CHASSIS GIALLO (T 480)	YELLOW DECK (T 480)	CHASSIS JAUNE (T 480)	GELBES GEHÄUSE (T 480)	1
—	81001422/1	CHASSIS VERDE (T 480)	GREEN DECK (T 480)	CHASSIS VERT (T 480)	GRÜNES GEHÄUSE (T 480)	1
1A	22735535/0	SETTORE REGOLAZIONE	ADJUSTERS SECTOR	SECTEUR REGLAGE	VERSTELLUNGSSEKTOR	1
1B	22735508/0	SETTORE REGOLAZIONE	ADJUSTERS SECTDR	SECTEUR REGLAGE	VERSTELLUNGSSEKTOR	1
1C	12500070/0	RIVETTO	RIVET	RIVET	NIETE	3
2	22060171/0	CARTER (T 430)	DECK (T 430)	CHASSIS (T 430)	CHASSIS (T 430)	1
—	22060172/0	CARTER (T 480)	DECK (T 480)	CHASSIS (T 480)	CHASSIS (T 480)	1
3	12728680/0	VITE	SCREW	VIS	SCHRAUBE	2
4	22207202/1	FLANGIA	FLANGE	BRIDE	FLANSCH	1
5	22720360/1	SCHERMO VENTILAZIONE	VENTILATION SCREEN	ECRAN VENTILATION	ÜFTUNGSSCHIRM	1
6	12691600/0	VITE	SCREW	VIS	SCHRAUBE	4
7	12523070/0	RONDELLA	WASHER	RONDELLE	SCHEIBE	4
8	12583500/0	GROWER	GROWER	GROWER	FEDERRING	4
9	12293200/0	DADO	NUT	ECROU	MUTTER	4
10	18563068/0	MOTORE IBMEI 1300W (230V)	IBMEI MOTOR 1300W (230V)	MOTEUR IBMEI 1300W (230V)	MOTOR IBMEI 1300W (230V)	1
—	18563008/0	MOTORE RST 1300W (220-230V)	RST MOTOR 1300W (220-230V)	MOTEUR RST 1300W (220-230V)	MOTOR RST 1300W (220-230V)	1
—	18563069/0	MOTDRE IBMEI 1300W (240V)	IBMEI MOTOR 1300W (240V)	MOTEUR IBMEI 1300W (240V)	MOTOR IBMEI 1300W (240V)	1
—	18563061/1	MOTORE IBMEI 1600W (230V)	IBMEI MOTOR 1600W (230V)	MOTEUR IBMEI 1600W (230V)	MOTOR IBMEI 1600W (230V)	1
—	18563009/0	MOTORE RST 1600W (230V)	RST MOTOR 1600W (230V)	MOTEUR RST 1600W (230V)	MOTOR RST 1600W (230V)	1

Pos. Nr.	Codice Kodex Code	Descrizione	Description	Description	Beschreibung	Q.tà Q.ty Q.tè Menge
—	18563047/1	MOTORE IBMEI 1600W (240V)	IBMEI MOTOR 1600W (240V)	MOTEUR IBMEI 1600W (240V)	MOTOR IBMEI 1600W (240V)	1
10A	18740051/0	VENTOLA	FAN	VENTILATEUR	LÜFTER	1
10B	18222037/0	CONDENSATORE 16 µF	CONDENSER 16 µF	CONDENSEUR 16 µF	KONDENSATOR 16 µF	1
—	18222038/0	CONDENSATORE 20 µF	CONDENSER 20 µF	CONDENSEUR 20 µF	KONDENSATOR 20 µF	1
12	12735410/0	VITE	SCREW	VIS	SCHRAUBE	4
14	22785061/0	SUPPORTO CAPOTTINA	COVER SUPPORT	SUPPORT CAPOT	HAUBEHALTER	1
15	12728710/0	VITE	SCREW	VIS	SCHRAUBE	4
16	81002059/0	ASS. CAPOTTINA	COVER ASS.Y	ENS. CAPOT	KOMPLETTE HAUSE	1
16A	81002057/0	ASS. CAPOTTINA	COVER ASS.Y	ENS. CAPOT	KOMPLETTE HAUSE	1
17	12728680/0	VITE	SCREW	VIS	SCHRAUBE	2
21	22463187/1	MOZZO	HUB	MOYEU	HALTER	1
22	12139440/0	LINGUETTA	FEATHER	CLAVETTE	KEIL	1
23	81004396/0	COLTELLO ALETTATO (41 cm.)	WINGS BLADE (41 cm.)	LAME À AILETTES (41 cm.)	FLUEGEL MESSER (41 cm.)	1
—	81004341/2	COLTELLO STANDARD (41 cm.)	STANDARD BLADE (41 cm.)	LAME STANDARD (41 cm.)	STANDARD MESSER (41 cm.)	1
—	81004397/0	COLTELLO ALETTATO (46 cm.)	WINGS BLADE (46 cm.)	LAME À AILETTES (46 cm.)	FLUEGEL MESSER (46 cm.)	1
—	81004346/2	COLTELLO STANDARD (46 cm.)	STANDARD BLADE (46 cm.)	LAME STANDARD (46 cm.)	STANDARD MESSER (46 cm.)	1
24	81004353/1	VITE	SCREW	VIS	SCHRAUBE	1
25	12793101/0	VITE	SCREW	VIS	SCHRAUBE	1
26	12583500/0	GROWER	GROWER	GROWER	FEDERRING	2
31	22600023/2	PARASASSI	STONE-GUARD	PARE-PIERRES	PRALLBLECH	1
32	22517907/0	PERNO	PIN	PIVOT	BOLZEN	1
33	22450270/0	MOLLA	SPRING	RESSORT	FEDER	1
41	81006945/1	MANICO SUPERIORE	UPPER HANDLE	PARTIE SUP. MANCHERON	HOLMBOBERTEIL	1
42	81006917/1	MANICO INFERIORE	LOWER HANDLE	PARTIE INF. MANCHERON	HOLMUNTERTEIL	2
43	18566110/0	PUNTALE	CAP	BOUCHON	GUMMISTOPFEN	2
44	22600042/0	PROTEZ. MANICO DX	RIGHT HANDLE PROT.	PRDT. MANCHERON DX	HDLM SCHUTZ RECHTS	1
45	22600043/0	PROTEZ. MANICO SX	LEFT HANDLE PROT.	PROT. MANCHERON SX	HOLM SCHUTZ LINKS	1
46	12691400/0	VITE	SCREW	VIS	SCHRAUBE	2
47	12691900/0	VITE	SCREW	VIS	SCHRAUBE	2
48	12521350/0	RONDELLA	WASHER	RONDELLE	SCHEIBE	4
49	81005102/0	PIASTRINA FISSAGGIO MANICO	PLATE FOR HANDLE FASTENING	PLAQUETTE FIXAGE MANCHERON	HOLMBEFESTIGUNG PLÄTTCHEN	1
49A	22551632/0	PIASTRINA FISSAGGIO MANICO	PLATE FDR HANDLE FASTENING	PLAQUETTE FIXAGE MANCHERON	HOLMBEFESTIGUNG PLÄTTCHEN	1
50	12819120/0	VITE	SCREW	VIS	SCHRAUBE	2
51	22680006/0	ROSETTA	WASHER	RDNDELLE	SCHEIBE	2
52	22399900/0	MANOPOLINA	KNOB	POIGNEE	GRIFF	2
53	12293200/0	DADO	NUT	ECROU	MUTTER	2
54	18710562/0	SALVAMOTDRE M.M. 8,5 AMP. 602 MS (1300W IBMEI/RST)	DEAD HAND SWITCH 8,5 AMP. 602 MS (1300W IBMEI/RST)	INT. MAIN MORTE 8,5 AMP. 602 MS (1300W IBMEI/RST)	TOT MANSCHALTER 8,5 AMP. 602 MS (1300W IBMEI/RST)	1
—	18710563/0	SALVAMOTORE M.M. 8,5 AMP. 603 MS (1300W IBMEI/RST) SOLO PER SVIZZERA	DEAD HAND SWITCH 8,5 AMP. 603 MS (1300W IBMEI/RST) ONLY FOR SWITZERLAND	INT. MAIN MORTE 8,5 AMP. 603 MS (1300W IBMEI/RST) SEULEMENT POUR LA SUISSE	TOT MANSCHALTER 8,5 AMP. 603 MS (1300W IBMEI/RST) NUR FÜR SCHWEIZ	1
—	18710624/0	SALVAMOTORE M.M. 8,5 AMP. 607 MS (1300W IBMEI)	DEAD HAND SWITCH 8,5 AMP. 607 MS (1300W IBMEI)	INT. MAIN MORTE 8,5 AMP. 607 MS (1300W IBMEI)	TOT MANSCHALTER 8,5 AMP. 607 MS (1300W IBMEI)	1
—	18710604/0	SALVAMOTORE M.M. 10 AMP. 602 MS (1600W IBMEI/RST)	DEAD HAND SWITCH 10 AMP. 602 MS (1600W IBMEI/RST)	INT. MAIN MORTE 10 AMP. 602 MS (1600W IBMEI/RST)	TOT MANSCHALTER 10 AMP. 602 MS (1600W IBMEI/RST)	1
—	18710572/0	SALVAMOTORE M.M. 10 AMP. 603 MS (1600W IBMEI/RST) SOLO PER SVIZZERA	DEAD HAND SWITCH 10 AMP. 603 MS (1600W IBMEI/RST) ONLY FOR SWITZERLAND	INT. MAIN MORTE 10 AMP. 603 MS (1600W IBMEI/RST) SEULEMENT POUR LA SUISSE	TOT MANSCHALTER 10 AMP. 603 MS (1600W IBMEI/RST) NUR FÜR SCHWEIZ	1
—	18710628/0	SALVAMOTORE M.M. 10 607 MS (1600W IBMEI)	DEAD HAND SWITCH 10 607 MS (1600W IBMEI)	INT. MAIN MORTE 10 607 MS (1600W IBMEI)	TOT MANSCHALTER 10 607 MS (1600W IBMEI)	1
55	22195101/1	FERMACAVO	FAIR LEAD	FIXATION CABLE	KABELBEFESTIGUNG	1
56	22192000/1	FASCETTA ANCORAGGIO	ANCHOR CLAMP	CDLLIER ANCRAGE	BDWDENZUGHALTER	1
57	22192151/0	FERMACAVO	FAIR LEAD	FIXATION CABLE	KABELBEFESTIGUNG	1
71	81001408/0	ASSE RUOTE ANT. (T 430)	FRONT WHEEL AXLE (T 430)	AXE ROUES AVANT (T 430)	VORDERRADACHSE (T 430)	1
—	81001410/0	ASSE RUOTE ANT. (T 480)	FRONT WHEEL AXLE (T 480)	AXE ROUES AVANT (T 480)	VORDERRADACHSE (T 480)	1
72	22321502/0	LEVA REGOLAZIONE	ADJUSTMENT LEVER	LEVIER REGLAGE	VERSTELLUNGHEBEL	1
73	22400000/1	MANOPOLINA	KNOB	POIGNEE	GRIFF	2
74	22519510/0	PERNO	PIN	PIVOT	BOLZEN	1
75	12691100/0	VITE	SCREW	VIS	SCHRAUBE	1
76	22170950/0	DISTANZIALE DX	SPACER DX	ENTRETOISE DX	DISTANZRING DX	1
77	22170940/0	DISTANZIALE SX	SPACER SX	ENTRETOISE SX	DISTANZRING SX	1
78	12523060/0	ROSETTA	WASHER	RONDELLE	SCHEIBE	2
79	12155000/0	DADO	NUT	ECROU	MUTTER	2
80	81001406/0	ASSE RUOTE PDST.	REAR WHEEL AXLE	AXE ROUES ARRIERE	HINTERRADACHSE	1
81	22545152/0	PIASTRINA	PLATE	PLAQUETTE	PLATTE	2
82	12735402/0	VITE	SCREW	VIS	SCHRAUBE	4
83	22321497/0	LEVA REGOLAZIONE	ADJUSTMENT LEVER	LEVIER REGLAGE	VERSTELLUNGHEBEL	1
84	12609260/0	ANELLO ARRESTO	RING	ANNEAU DE TENNUE	RING	1
85	81007317/0	RUOTA SCOLPITA Ø 170	KNOBBL Y WHEEL Ø 170	ROUE SCULPTEE Ø 170	RAD M. STD LLENPR. Ø 170	2
86	81007318/0	RUOTA SCOLPITA Ø 210	KNOBBL Y WHEEL Ø 210	ROUE SCULPTEE Ø 210	RAD M. STOLLENPR. Ø 210	2
87	22122200/0	CUSCINETTO	BEARING	RDULEMENT	KUGELLAGER	8
88	12530150/0	ROSETTA ELASTICA	ELASTIC WASHER	RONDELLE ELASTIQUE	ELASTISCHE SCHEIBE	4
89	12521350/0	ROSETTA	WASHER	RONDELLE	SCHEIBE	4
90	12155000/0	DADO	NUT	ECROU	MUTTER	4
91	22110282/0	CDPRIMOZZD BIANCO	WHITE HUB CAP	COUVRE-MOYEU BLANCHE	WEISSE RADKAPPE	2
—	22110288/0	COPRIMOZZO GIALLO	YELLOW HUB CAP	COUVRE-MOYEU JAUNE	GELB RADKAPPE	2
92	22110281/0	COPRIMOZZO BIANCO	WHITE HUB CAP	COUVRE-MOYEU BLANCHE	WEISSE RADKAPPE	2
—	22110287/0	COPRIMOZZO GIALLO	YELLOW HUB CAP	COUVRE-MOYEU JAUNE	GELBE RADKAPPE	2
101	96400000/0	ASS. SACCO IN TELA	CANVASS GRASSCATCHER ASS.Y	ENSEMBLE SAC EN TOILE	KOMPLETTER SACK	1
102	81006430/0	TELAIO	CHASSIS	CHASSIS	RAHMEN	1
103	81002124/0	TELA SACCO	FABRIC BOX	TOILE POUR SAC	TUCK FÜR SACK	1
111	96500000/0	SACCO COMPLETO	COMPLETE GRASS-BOX	SAC COMPLET	KOMPLETTER KORB	1
112	22486065/0	PORTE SUP. SACCO	UPPER GRASS-BOX	PARTIE SUP. SAC	KORB OBERTEIL	1
113	22486064/0	PORTE INF. SACCO	LOWER GRASS-BOX	PARTIE INF. SAC	KORB UNTERTEIL	1
115	12521350/0	RONDELLA	WASHER	RONDELLE	SCHEIBE	2
—	81008594/0	DOTAZIONE VITERIA	SCREWS OUTFIT	DOTATION VISSERIE	SCHRAUBEN SATZ	1