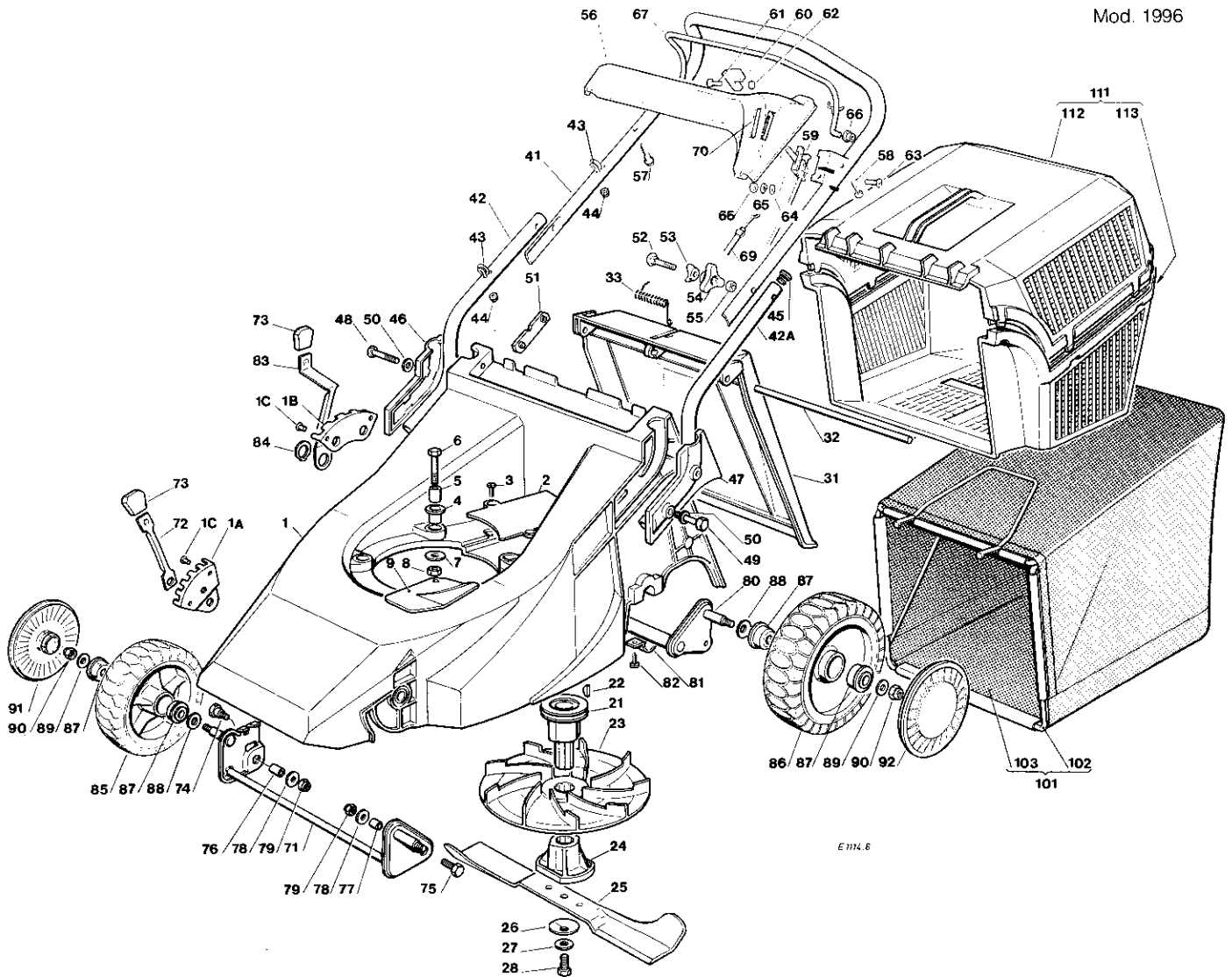


Mod. 1996



Pos. Nr.	Codice Kodex Code	Descrizione	Description	Description	Beschreibung	Q.tà Q.ty Q.tè Menge
1	81001415/1	CHASSIS ROSSO (T 434)	RED DECK (T 434)	CHASSIS ROUGE (T 434)	ROTES GEHÄUSE (T 434)	1
—	81001417/1	CHASSIS GIALLO (T 434)	YELLOW DECK (T 434)	CHASSIS JAUNE (T 434)	GELBES GEHÄUSE (T 434)	1
—	81001421/1	CHASSIS VERDE (T 434)	GREEN DECK (T 434)	CHASSIS VERT (T 434)	GRÜNES GEHÄUSE (T 434)	1
—	81001416/1	CHASSIS ROSSO (T 484)	RED DECK (T 484)	CHASSIS ROUGE (T 484)	ROTES GEHÄUSE (T 484)	1
—	81001418/1	CHASSIS GIALLO (T 484)	YELLOW DECK (T 484)	CHASSIS JAUNE (T 484)	GELBES GEHÄUSE (T 484)	1
—	81001422/1	CHASSIS VERDE (T 484)	GREEN DECK (T 484)	CHASSIS VERT (T 484)	GRÜNES GEHÄUSE (T 484)	1
1A	22735535/0	SETTORE REGOLAZIONE	ADJUSTERS SECTOR	SECTEUR REGLAGE	VERSTELLUNGSSEKTOR	1
1B	22735508/0	SETTORE REGOLAZIONE	ADJUSTERS SECTOR	SECTEUR REGLAGE	VERSTELLUNGSSEKTOR	1
1C	12500070/0	RIVETTO	RIVET	RIVET	NIETE	3
2	22060171/0	CARTER (T 434)	DECK (T 434)	CHASSIS (T 434)	CHASSIS (T 434)	1
—	22060172/0	CARTER (T 484)	DECK (T 484)	CHASSIS (T 484)	CHASSIS (T 484)	1
3	12728680/0	VITE	SCREW	VIS	SCHRAUBE	2
4	22040265/0	BUSSOLA	BUSH	DOUILLE	BUCHSE	3
5	22167840/0	DISTANZIALE	SPACER	ENTRETOISE	DISTANZRING	3
6	12691800/0	VITE	SCREW	VIS	SCHRAUBE	3
7	12523070/0	RONDELLA	WASHER	RONDELLE	SCHIBE	3
8	12155000/0	DADO	NUT	ECROU	MUTTER	3
9	22484070/0	PARACALORE	MUFFLER GUARD	GRILLE DE PROTECTION	SCHUTZABDECKUNG	1
21	22465605/0	MOZZO GIRANTE	HUB FAN	MOYEU VENTILATEUR	HALTER LUEFTER	1
22	12139100/0	LINGUETTA	FEATHER	CLAVETTE	KEIL	1
23	22245080/0	GIRANTE	FAN	VENTILATEUR	LUEFTER	1
24	22465604/0	MOZZO	HUB	MOYEU	HALTER	1
25	81004396/0	COLTELLO ALETTATO (41 cm.)	WINGS BLADE (41 cm.)	LAME À AILETTES (41 cm.)	FLUEGEL MESSER (41 cm.)	1
—	81004341/2	COLTELLO STANDARD (41 cm.)	STANDARD BLADE (41 cm.)	LAME STANDARD (41 cm.)	STANDARD MESSER (41 cm.)	1
—	81004397/0	COLTELLO ALETTATO (46 cm.)	WINGS BLADE (46 cm.)	LAME À AILETTES (46 cm.)	FLUEGEL MESSER (46 cm.)	1
—	81004346/2	COLTELLO STANDARD (46 cm.)	STANDARD BLADE (46 cm.)	LAME STANDARD (46 cm.)	STANDARD MESSER (46 cm.)	1
26	22160400/0	DISCO ELASTICO	ELASTIC WASHER	RONDELLE ELASTIQUES	ELASTISCHE SCHEIBE	1
27	12523080/0	RONDELLA	WASHER	RONDELLE	SCHIBE	1
28	12736820/0	VITE	SCREW	VIS	SCHRAUBE	1
31	22600023/2	PARASASSI	STONE-GUARD	PARE-PIERRES	PRALLBLECH	1

Pos. Nr.	Codice Kodex Code	Descrizione	Description	Description	Beschreibung	Q.tà Q.ty Q.té
32	22517907/0	PERNO	PIN	PIVOT	BOLZEN	1
33	22450270/0	MOLLA	SPRING	RESSORT	FEDER	1
41	81007002/0	PORTE SUPERIORE MANICO	UPPER HANDLE	PARTIE SUP. MANCHERON	HOLMOBERTEIL	1
42A	81006917/0	MANICO INFERIORE SX	LEFT LOWER HANDLE	PARTIE INF. MANCHERON SX	HOLMUNTERTEIL LINKS	1
42	81007015/0	MANICO INFERIORE DX	RIGHT UPPER HANDLE	PARTIE SUP. MANCHERON DX	HOLMUNTERTEIL RECHTS	1
43	22430309/0	MOLLA	SPRING	RESSORT	FEDER	2
44	12154330/0	DADO	NUT	ECROU	MUTTER	2
45	18566110/0	PUNTALE	CAP	BOUCHON	GUMMISTOPFEN	2
46	22600042/0	PROTEZ. MANICO DX	RIGHT HANDLE PROT.	PROT. MANCHERON DX	HOLM SCHUTZ RECHTS	1
47	22600043/0	PROTEZ. MANICO SX	LEFT HANDLE PROT.	PROT. MANCHERON SX	HOLM SCHUTZ LINKS	1
48	12691400/0	VITE	SCREW	VIS	SCHRAUBE	2
49	12691900/0	VITE	SCREW	VIS	SCHRAUBE	2
50	12521350/0	RONDELLA	WASHER	RONDELLE	SCHEIBE	4
51	22551632/1	PIASTRINA FISSAGGIO MANICO	PLATE FOR HANDLE FASTENING	PLAQUETTE FIXAGE MANCHERON	HDLMBEFESTIGUNG PLÄTTCHEN	2
52	12819120/0	VITE	SCREW	VIS	SCHRAUBE	2
53	22680006/1	ROSETTA	WASHER	RONDELLE	SCHEIBE	2
54	22399900/0	MANOPOLINA	KNOB	POIGNÉE	GRIFF	2
55	12293200/0	DADO	NUT	ECROU	MUTTER	2
56	22120150/0	CRUSCOTTO ROSSO	RED DASH BOARD	CONSOLE ROUGE	ROTE KONSOLE	1
—	22120148/0	CRUSCOTTO GIALLO	YELLOW DASH BOARD	CONSOLE JAUNE	GELBE KONSOLE	1
—	22120164/0	CRUSCOTTO NERO	BLACK DASH BOARD	CONSOLE NOIRE	SCHWARZE KONSOLE	1
57	22943006/0	VITE	SCREW	VIS	SCHRAUBE	1
58	12728460/0	VITE	SCREW	VIS	SCHRAUBE	1
59	81007138/0	ASSIEME ACCELERATORE	TROTTLER UNIT ASS.Y	ENS. ACCELERATEUR	BESCHLEUNIGER	1
60	22399801/0	MANOPOLINA	KNOB	POIGNÉE	GRIFF	1
61	12726388/0	VITE	SCREW	VIS	SCHRAUBE	1
62	12290800/0	DADO	NUT	ECROU	MUTTER	1
63	12788910/0	VITE	SCREW	VIS	SCHRAUBE	2
64	12523020/0	RONDELLA	WASHER	RONDELLE	SCHEIBE	2
65	12581500/0	GROWER	GROWER	GROWER	FEDERRING	2
66	12291000/0	DADO	NUT	ECROU	MUTTER	2
67	81003291/1	ASS. LEVA FRENO MOTORE	BRAKE LEVER ASS.Y	ENS. LEVIER FREIN MOTEUR	MOTORBREMSEHEBEL	1
68	22041966/0	BUSSOLA	BUSH	DDUILLÉ	BUCHSE	2
69	81001106/2	ASS. CAVO FRENO MOTDRE T 434 (QUANTUM XM)	THREAD MOTOR ASS.Y T 434 (QUANTUM XM)	CABLE FREIN MDTEUR T 434 (QUANTUM XM)	MOTORBREMSEKABEL T 434 (QUANTUM XM)	1
—	81000620/1	ASS. CAVO FRENO MOTORE T 434 (SPRINT 375/QUATTRO)	THREAD MOTOR ASS.Y T 434 (SPRINT 375/QUATTRO)	CABLE FREIN MDTEUR T 434 (SPRINT 375/QUATTRO)	MOTORBREMSEKABEL T 434 (SPRINT 375/QUATTRO)	1
—	81000622/2	ASS. CAVO FRENO MOTORE T 434-TD484 (TECUMSEH)	THREAD MOTOR ASS.Y T 434-TD484 (TECUMSEH)	CABLE FREIN MOTEUR T 434-TD484 (TECUMSEH)	MOTORBREMSEKABEL T 434-TD484 (TECUMSEH)	1
—	810001105/1	ASS. CAVO FRENO MOTORE T 484 (QUANTUM XM)	THREAD MOTOR ASS.Y T 484 (QUANTUM XM)	CABLE FREIN MOTEUR T 484 (QUANTUM XM)	MOTORBREMSEKABEL T 484 (QUANTUM XM)	1
—	81000621/1	ASS. CAVO FRENO MOTORE T 484 (SPRINT 375/QUATTRO)	THREAD MOTOR ASS.Y T 484 (SPRINT 375/QUATTRO)	CABLE FREIN MOTEUR T 484 (SPRINT 375/QUATTRO)	MOTORBREMSEKABEL T 484 (SPRINT 375/QUATTRO)	1
70	14356692/0	ETICHETTA (TECUMSEH)	LABEL (TECUMSEH)	ETIQUETTE (TECUMSEH)	ETIKETTE (TECUMSEH)	1
—	14356693/0	ETICHETTA (B&S)	LABEL (B&S)	ETIQUETTE (B&S)	ETIKETTE (B&S)	1
71	81001408/0	ASSE RUOTE ANT. (T 434)	FRONT WHEELS AXLE (T 434)	AXE RDUES AVANT (T 434)	VORDERRADACHSE (T 434)	1
—	81001410/0	ASSE RUOTE ANT. (T 484)	FRONT WHEELS AXLE (T 484)	AXE ROUES AVANT (T 484)	VORDERRADACHSE (T 484)	1
72	22321502/0	LEVA REGOLAZIONE	ADJUSTMENT LEVER	LEVIER REGLAGE	VERSTELLUNGSHABEL	1
73	22400000/1	MANOPOLINA	KNOB	POIGNÉE	GRIFF	2
74	22519510/0	PERNO	PIN	PIVOT	BOLZEN	1
75	12691100/0	VITE	SCREW	VIS	SCHRAUBE	1
76	22170950/0	DISTANZIALE DX	SPACER DX	ENTRETOISE DX	DISTANZRING DX	1
77	22170940/0	DISTANZIALE SX	SPACER SX	ENTRETOISE SX	DISTANZRING SX	1
78	12523060/0	ROSETTA	WASHER	RONDELLE	SCHEIBE	2
79	12155000/0	DADO	NUT	ECROU	MUTTER	2
80	81001406/0	ASSE RUOTE POST.	REAR WHEELS AXLE	AXE ROUES ARRIERE	HINTERRADACHSE	1
81	22545152/0	PIASTRINA	PLATE	PLAQUETTE	PLÄTTCHEN	2
82	12735402/0	VITE	SCREW	VIS	SCHRAUBE	4
83	22321497/0	LEVA REGOLAZIONE	ADJUSTMENT LEVER	LEVIER REGLAGE	VERSTELLUNGSHABEL	1
84	12609260/0	ANELLO ARRESTO	RING	ANNEAU DE TENNUE	RING	1
85	81007317/0	RUOTA SCOLPITA Ø 170	KNOBBLY WHEEL Ø 170	ROUE SCULPTEE Ø 170	RAD M. STDLENPR. Ø 170	2
86	81007318/0	RUOTA SCOLPITA Ø 210	KNOBBLY WHEEL Ø 210	ROUE SCULPTEE Ø 210	RAD M. STOLLENPR. Ø 210	2
87	22122200/0	CUSCINETTO	BEARING	COUSSINET	KUGELLAGER	8
88	12530150/0	RDSETTA ELASTICA	ELASTIC WASHER	RONDELLE ELASTIQUE	ELASTISCHE SCHEIBE	4
89	12521350/0	RDSETTA	WASHER	RONDELLE	SCHEIBE	4
90	12155000/0	DADD	NUT	ECROU	MUTTER	4
91	22110282/0	COPRIMOZZO BIANCO	WHITE HUB CAP	COUVRE-MOYEU BLANC	WEISSE RADKAPPE	2
—	22110288/0	COPRIMOZZO GIALLO	YELLOW HUB CAP	COUVRE-MOYEU JAUNE	GELBE RADKAPPE	2
92	22110281/0	COPRIMOZZO BIANCO	WHITE HUB CAP	COUVRE-MOYEU BLANC	WEISSE RADKAPPE	2
—	22110287/0	COPRIMOZZO GIALLO	YELLOW HUB CAP	COUVRE-MOYEU JAUNE	GELBE RADKAPPE	2
101	96400000/0	ASS. SACCO IN TELA	CANVASS GRASSCATCHER ASS.Y	ENSEMBLE SAC EN TOILE	KOMPLETTER SACK	1
102	81006430/0	TELAIO	CHASSIS	CHASSIS	RAHMEN	1
103	81002124/0	TELA SACCO	FABRIC BOX	TOILE POUR SAC	TUCK FÜR SACK	1
111	96500000/0	SACCO COMPLETO	COMPLETE GRASS-BOX	SAC COMPLET	KOMPLETTER KORB	1
112	22486065/0	PORTE SUP. SACCO	UPPER GRASS-BOX	PARTIE SUP. SAC	OBERTEILER KORB	1
113	22486064/0	PORTE INF. SACCO	LOWER GRASS-BOX	PARTIE INF. SAC	UNTERTEILER KORB	1
—	81008606/0	DOTAZIONE VITERIA	SCREWS DUTFIT	DOTATION VISSERIE	SCHRAUBEN SATZ	1
—	81008499/1	DOTAZIONE CRUSCOTTO	DASH-BOARD OUTFIT	DOTATION CONSOLE	KONSOLE SATZ	1