

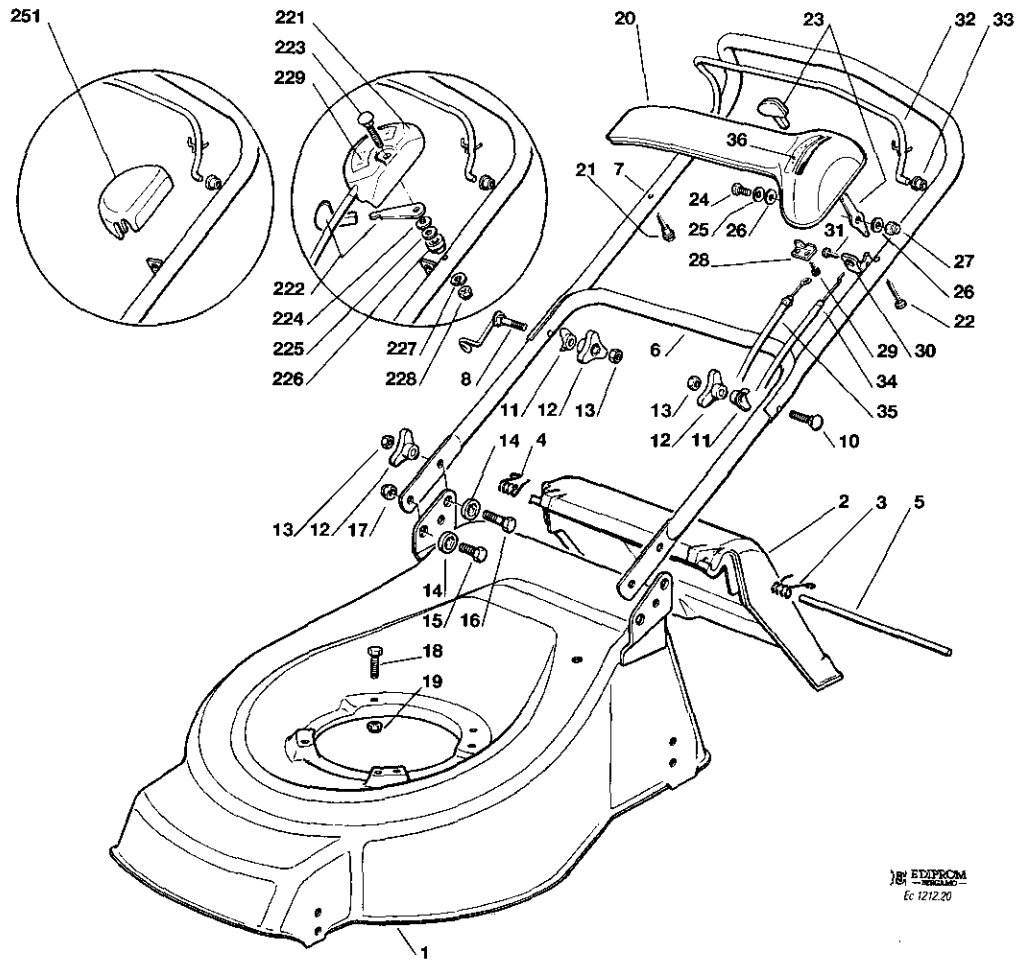
VISTE ESPLOSE
EXPLODED VIEWS

VUES ECLATEES
SPRENGZEICHNUNGEN

TD 434
TD 484

CHASSIS - MANICO - COMANDI
DECK - HANDLE - CONTROLS
CHASSIS - MANCHERON - COMMANDES
GEHÄUSE - HOLM - BETÄTIGUNGEN

Mod. 1996

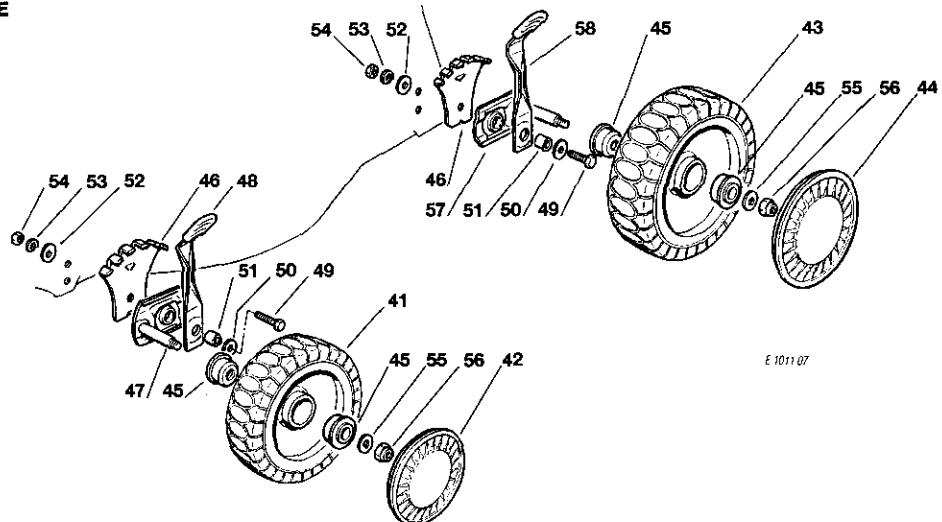


EDIPROM
E: 1212.20

Pos. Nr.	Codice Code Kodex	Descrizione	Description	Description	Beschreibung	Q.tà Q.ty-Q.tè Menge
1	81001370/0	CHASSIS VERDE TD 434	GREEN DECK TD 434	CHASSIS VERT TD 434	GRÜN GEHÄUSE TD 434	1
-	81001372/0	CHASSIS VERDE TD 484	GREEN DECK TD 484	CHASSIS VERT TD 484	GRÜN GEHÄUSE TD 484	1
-	81001348/0	CHASSIS GIALLO TD 434	YELLOW DECK TD 434	CHASSIS JAUNE TD 434	GELB GEHÄUSE TD 434	1
-	81001350/0	CHASSIS GIALLO TD 484	YELLOW DECK TD 484	CHASSIS JAUNE TD 484	GELB GEHÄUSE TD 484	1
-	81001338/0	CHASSIS ROSSO TD 434	RED DECK TD 434	CHASSIS ROUGE TD 434	ROT GEHÄUSE TD 434	1
-	81001339/0	CHASSIS ROSSO TD 484	RED DECK TD 484	CHASSIS ROUGE TD 484	ROT GEHÄUSE TD 484	1
2	22600046/1	PARASASSI	STONE-GUARD	PARE-PIERRES	PRALLBLECH	1
3	22450420/1	MOLLA SINISTRA	LEFT SPRING	RESSORT GAUCHE	LINK FEDER	1
4	22450410/1	MOLLA DESTRA	RIGHT SPRING	RESSORT DROITE	RECHTE FEDER	1
5	22517906/0	PERNO	PIN	PIVOT	BOLZEN	1
6	81006512/0	PARTE INFERIORE MANICO	LOWER HANDLE	PARTIE INF. MANCHERON	HOLMUNTERTEIL	1
7	81006998/1	PARTE SUPERIORE MANICO	UPPER HANDLE	PARTIE SUP. MANCHERON	HOLMOBERTEIL	1
8	81003801/0	MOLLA GUIDA	SPRING	RESSORT	FEDER	1
10	12819201/0	VITE	SCREW	VIS	SCHRAUBE	1
11	22680006/1	RONDELLA	WASHER	RONDELLE	SCHEIBE	2
12	22399900/0	MANOPOLINA	KNOB	POIGNÉE	GRIFT	4
13	12293200/0	DADO	NUT	ECROU	MUTTER	4
14	22041955/0	BUSSOLA	BUSH	DOUILLE	BUCHSE	4
15	12792610/0	VITE	SCREW	VIS	SCHRAUBE	2
16	12793700/0	VITE	SCREW	VIS	SCHRAUBE	2
17	12155000/0	DADO	NUT	ECROU	MUTTER	2
18	12793700/0	VITE M8 x 30	SCREW M8 x 30	VIS M8 x 30	SCHRAUBE M8 x 30	3/2
-	12691800/0	VITE M8 x 60	SCREW M8 x 60	VIS M8 x 60	SCHRAUBE M8 x 60	0/1
19	12293201/0	DADO	NUT	ECROU	MUTTER	3/2
-	12155000/0	DADO	NUT	ECROU	MUTTER	0/1
20	22120152/0	CRUSCOTTO GIALLO	YELLOW DASH BOARD	CONSOLE JAUNE	GELB KONSOLE	1

Pos. Nr.	Codice Code Kodex	Descrizione	Description	Description	Beschreibung	Q.tà Q.ty-Q.té Menge
↓						
-	22120158/0	CRUSCOTTO NERO	BLACK DASH BOARD	CONSOLE NOIRE	SCHWARZE KONSOLE	1
-	22120154/0	CRUSCOTTO ROSSO	RED DASH BOARD	CONSOLE ROUGE	ROTE KONSOLE	1
21	22943006/0	VITE	SCREW	VIS	SCHRAUBE	1
22	12728460/0	VITE	SCREW	VIS	SCHRAUBE	1
23	81007280/1	ASS. LEVA + MANOPOLINA	LEVER + KNOB ASS.Y	ENS. LEVIER + POIGNEE	HEBEL + GRIFF SATZ	1
24	12791500/0	VITE	SCREW	VIS	SCHRAUBE	1
25	12530060/0	RONDELLA ELASTICA	SPRING WASHER	RONDELLE ELASTIQUE	FEDERSCHEIBE	1
26	12523040/0	RONDELLA	WASHER	RONDELLE	SCHIBE	2
27	12154510/0	DADO	NUT	ECROU	MUTTER	1
28	22981467/0	PIASTRINA	PLATE	PLAQUETTE	PLATTE	1
29	12735105/0	VITE	SCREW	VIS	SCHRAUBE	2
30	22806612/0	SUPPORTO	SUPPORT	SUPPORT	HALTER	1
31	12728518/0	VITE	SCREW	VIS	SCHRAUBE	1
32	81003291/1	LEVA FRENO MOTORE	BRAKE LEVER	LEVIER FREIN MOTEUR	MOTORBREMSEHEBEL	1
33	22041966/0	BOCCOLA	BUSH	DOUILLE	BUCHSE	2
34	81007160/0	CAVO ACCELERATORE	THROTTLE CABLE	CABLE ACCELERATEUR	BESCHLEUNIGER KABEL	1
35	81000633/0	CAVO FRENO MOTORE	THREAD MOTOR BRAKE	CABLE FREIN MOTEUR	MOTORBREMSEKABEL	1
		TD 434 (Quantum XM)	TD 434 (Quantum XM)	TD 434 (Quantum XM)	TD 434 (Quantum XM)	
-	81000627/0	CAVO FRENO MOTORE	THREAD MOTOR BRAKE	CABLE FREIN MOTEUR	MOTORBREMSEKABEL	1
		TD 434 (Sprint 375 - Quattro)	TD 434 (Sprint 375 - Quattro)	TD 434 (Sprint 375 - Quattro)	TD 434 (Sprint 375 - Quattro)	
-	81000623/1	CAVO FRENO MOTORE	THREAD MOTOR BRAKE	CABLE FREIN MOTEUR	MOTORBREMSEKABEL	1
		TD 434-484 (Tecumseh)	TD 434-484 (Tecumseh)	TD 434-484 (Tecumseh)	TD 434-484 (Tecumseh)	
-	81000631/0	CAVO FRENO MOTORE	THREAD MOTOR BRAKE	CABLE FREIN MOTEUR	MOTORBREMSEKABEL	1
		TD 484 (Quantum XM)	TD 484 (Quantum XM)	TD 484 (Quantum XM)	TD 484 (Quantum XM)	
-	81000625/0	CAVO FRENO MOTORE	THREAD MOTOR BRAKE	CABLE FREIN MOTEUR	MOTORBREMSEKABEL	1
		TD 484 (Sprint 375 - Quattro)	TD 484 (Sprint 375 - Quattro)	TD 484 (Sprint 375 - Quattro)	TD 484 (Sprint 375 - Quattro)	
-	81000624/0	CAVO FRENO MOTORE	THREAD MOTOR BRAKE	CABLE FREIN MOTEUR	MOTORBREMSEKABEL	1
		TD 484 (Honda GXV 140)	TD 484 (Honda GXV 140)	TD 484 (Honda GXV 140)	TD 484 (Honda GXV 140)	
36	14356743/0	ETICHETTA (Tecumseh Honda)	LABEL (Tecumseh Honda)	ETIQUETTE (Tecumseh Honda)	ETIKETTE (Tecumseh Honda)	1
-	14356744/0	ETICHETTA (B&S)	LABEL (B&S)	ETIQUETTE (B&S)	ETIKETTE (B&S)	1
		Variante acceleratore	Throttle variants	Variantes de comande d'acceleration	Anderungen auf Gashebel	
221	81007080/0	ASSIEME ACCELERATORE	TROTTLER UNIT ASS.Y	ENS. ACCELERATEUR	BESCHLEUNIGER	1
222	81007279/0	ASS. LEVA + MANOPOLINA	LEVER+KNOB ASS.Y	ENS. LEVIER+POIGNEE	HEBEL+GRIFF SATZ	1
223	12815000/0	VITE	SCREW	VIS	SCHRAUBE	1
224	12508100/0	RONDELLA ELASTICA	SPRING WASHER	RONDELLE ELASTIQUE	FEDERSCHEIBE	1
225	12521360/0	RONDELLA	WASHER	RONDELLE	SCHIBE	1
226	22171005/0	DISTANZIALE	SPACER	ENTRETOISE	DISTANZRING	1
227	12581500/0	GROWER	GROWER	GROWER	FEDERRING	1
228	12291000/0	DADO	NUT	ECROU	MUTTER	1
229	14356702/0	ETICHETTA (Tecumseh Honda)	LABEL (Tecumseh Honda)	ETIQUETTE (Tecumseh Honda)	ETIKETTE (Tecumseh Honda)	1
-	14356703/0	ETICHETTA (B&S)	LABEL (B&S)	ETIQUETTE (B&S)	ETIKETTE (B&S)	1
		Variante regime fisso	R.p.m. variants	Variantes pour modèle à regime fixe	Anderungen für Modelle mit fixierter Drehzahl	
251	22601000/0	PROTEZIONE	PROTECTION	PROTECTION	SCHUTZ	1

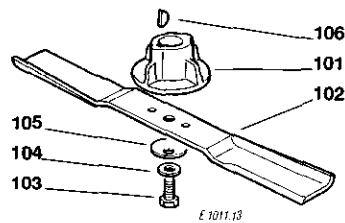
RUOTE E REGOLAZIONE
WHEELS AND HEIGHT ADJUSTING
ROUES ET REGLAGE HAUTEUR DE COUPE
RAEDER UND SCHNITTVERSTELLUNG



E 1011 07

Pos. Nr.	Codice Code Kodex	Descrizione	Description	Description	Beschreibung	Q.tà Q.ty-Q.tè Menge
41	81007317/0	RUOTA SCOLPITA Ø 170	KNOBBLY WHEEL Ø 170	ROUE SCULPTEE Ø 170	RAD M. STOLLENPR. Ø 170	2
42	22110282/0	COPRIMOZZO BIANCO	WHITE HUB CAP	COUVRE-MOYEU BLANCHE	WEISSE RADKAPPE	2
-	22110288/0	COPRIMOZZO GIALLO	YELLOW HUB CAP	COUVRE-MOYEU JAUNE	GELB RADKAPPE	2
43	81007318/0	RUOTA SCOLPITA Ø 210	KNOBBLY WHEEL Ø 210	ROUE SCULPTEE Ø 210	RAD M. STOLLENPR. Ø 210	2
44	22110281/0	COPRIMOZZO BIANCO	WHITE HUB CAP	COUVRE-MOYEU BLANCHE	WEISSE RADKAPPE	2
-	22110287/0	COPRIMOZZO GIALLO	YELLOW HUB CAP	COUVRE-MOYEU JAUNE	GELB RADKAPPE	2
45	22034508/0	BOCCOLA	BUSHING	DOUILLE	BÜCHSE	8
46	22735547/0	SETTORE REGOLAZIONE	ADJUSTERS SECTOR	SECTEUR REGLAGE	VERSTELLUNGSSEKTOR	4
47	81005082/0	SUPPORTO RUOTA	WHEEL SUPPORT	SUPPORT ROUE	RADHALTER	2
48	81003285/0	LEVA REGOLAZIONE	ADJUSTMENT LEVER	LEVIER REGLAGE	VERSTELLUNGHEBEL	2
49	12793701/0	VITE	SCREW	VIS	SCHRAUDE	4
50	12521350/0	RONDELLA	WASHER	RONDELLE	SCHEIBE	4
51	22171001/0	DISTANZIALE	SPACER	ENTRETOISE	DISTANZRING	4
52	12523070/0	RONDELLA	WASHER	RONDELLE	SCHEIBE	4
53	12583500/0	GROWER	GROWER	GROWER	FEDERRING	4
54	12293200/0	DADO	NUT	ECROU	MUTTER	4
55	12523060/0	RONDELLA	WASHER	RONDELLE	SCHEIBE	4
56	12155000/0	DADO	NUT	ECROU	MUTTER	4
57	81005084/0	SUPPORTO RUOTA	WHEEL SUPPORT	SUPPORT ROUE	RADHALTER	2
58	81003286/0	LEVA REGOLAZIONE	ADJUSTMENT LEVER	LEVIER REGLAGE	VERSTELLUNGHEBEL	2

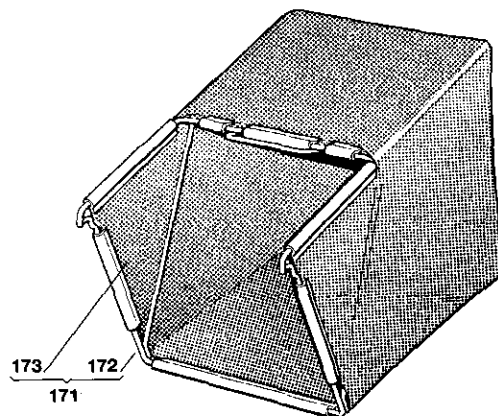
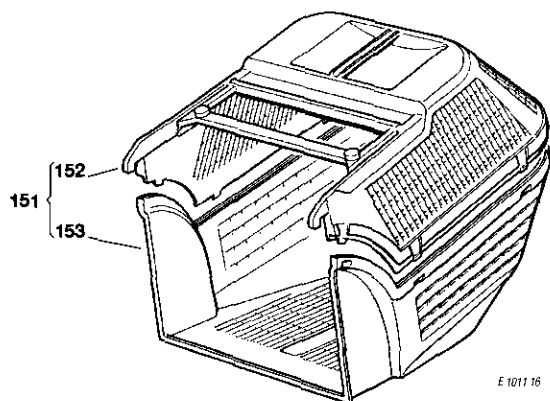
**GRUPPO COLTELLO
BLADE ASS.Y
GROUPE DES LAMES
MESSERSATZT**



101	22463012/1	MOZZO	HUB	MOYEU	HALTER	1
102	81004341/2	COLTELLO STANDARD cm 41	STANDARD BLADE cm 41	LAME STANDARD cm 41	STANDARD MESSER cm 41	1
-	81004396/0	COLTELLO ALETTATO cm 41	WINGS BLADE cm 41	LAME À AILETTES cm 41	FLUEGELMESSER cm 41	1
-	81004346/2	COLTELLO STANDARD cm 46	STANDARD BLADE cm 46	LAME STANDARD cm 46	STANDARD MESSER cm 46	1
-	81004397/0	COLTELLO ALETTATO cm 46	WINGS BLADE cm 46	LAME À AILETTES cm 46	FLUEGELMESSER cm 46	1
103	12735698/0	VITE	SCREW	VIS	SCHRAUBE	1
104	12523080/0	RONDELLA	WASHER	RONDELLE	SCHEIBE	1
105	22160400/0	DISCO ELASTICO	ELASTIC WASHER	RONDELLE ELASTIQUE	ELASTISCHE SCHEIBE	1
106	12139100/0	LINGUETTA	FEATHER	CLAVETTE	KEIL	1

Pos. Nr.	Codice Code Kodex	Descrizione	Description	Description	Beschreibung	Q.tà Q.ty-Q.tè Menge
----------	-------------------	-------------	-------------	-------------	--------------	----------------------------

SACCO RACCOGLIERBA E DOTAZIONE
GRASS-CATCHER AND SCREWS OUTFITS
BAC DE RAMASSAGE ET DOTATION VISSERIE
GRASFANGKORB UND SCHRAUBENSATZ



151	94004000/0	SACCO COMPLETO	COMPLETE GRASS-BOX	BAC COMPLET	KOMPLETTER KORB	1
152	22486073/0	PORTE SUPERIORE SACCO	UPPER GRASS-BOX	PARTIE SUPERIEURE SAC	KORB OBERTEIL	1
153	22486074/0	PORTE INFERIORE SACCO	LOWER GRASS-BOX	PARTIE INFERIEURE SAC	KORB UNTERTEIL	1
171	94005000/0	ASSIEME SACCO TELA	CANVASS GRASSCATCHER ASS.Y	ENSEMBLE SAC EN TOILE	KOMPLETTER SACK	1
172	81006418/0	TELAIO	CHASSIS	CHASSIS	RAHMEN	1
173	81002105/0	TELA SACCO	FABRIC BOX	TOILE POUR SAC	TUCK FÜR SACK	1
-	81008614/0	DOTAZIONE VITERIA	SCREWS OUTFIT	DOTATION VISSERIE	SCHRAUBEN SATZ	1
-	81008609/0	DOTAZIONE CRUSCOTTO	DASH-BOARD OUTFIT	DOTATION CONSOLE	KONSOLE SATZ	1