

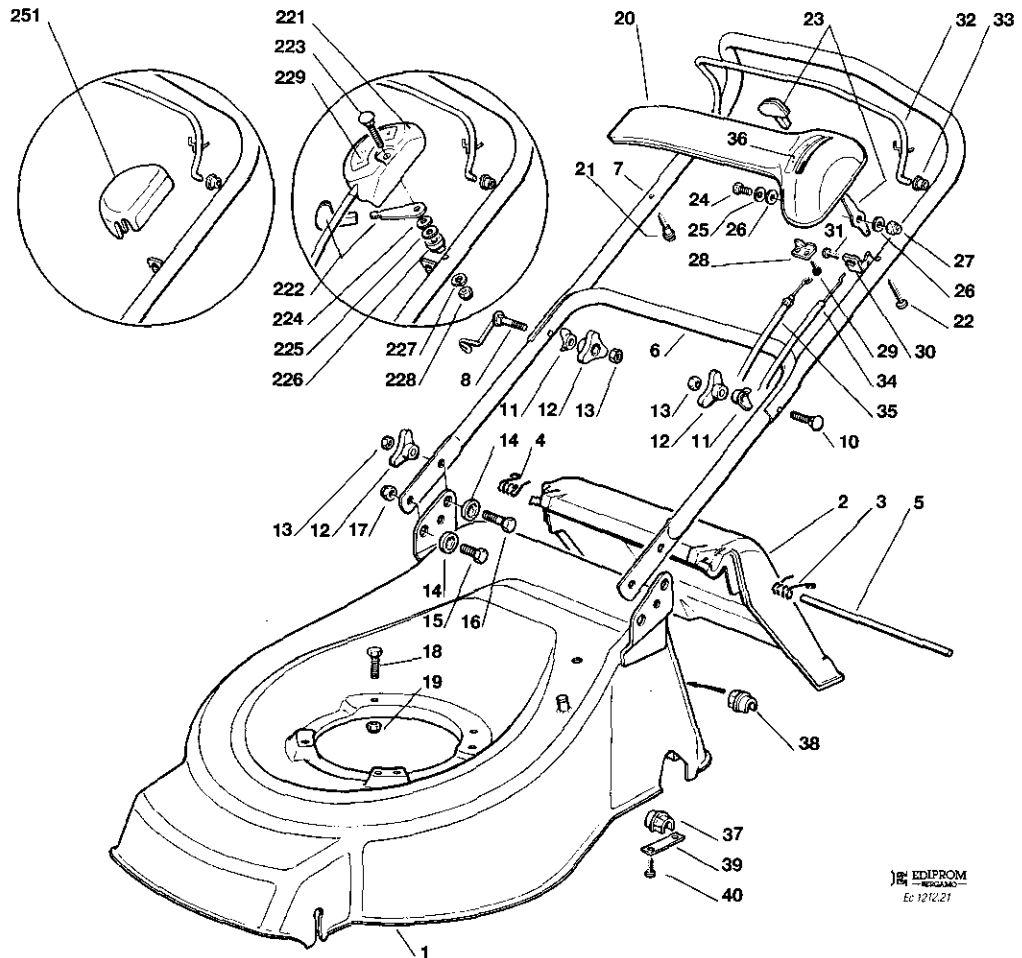
VISTE ESPLOSE  
EXPLODED VIEWS

VUES ECLATEES  
SPRENGZEICHNUNGEN

TDL 434  
TDL 484

CHASSIS - MANICO - COMANDI  
DECK - HANDLE - CONTROLS  
CHASSIS - MANCHERON - COMMANDES  
GEHÄUSE - HOLM - BETÄTIGUNGEN

Mod. 1996



| Pos. Nr. | Codice Code Kodex | Descrizione            | Description         | Description           | Beschreibung         | Q.tà<br>Q.ty-Q.tè<br>Menge |
|----------|-------------------|------------------------|---------------------|-----------------------|----------------------|----------------------------|
| 1        | 81001375/0        | CHASSIS VERDE TDL 434  | GREEN DECK TDL 434  | CHASSIS VERT TDL 434  | GRÜN GEHÄUSE TDL 434 | 1                          |
| -        | 81001377/0        | CHASSIS VERDE TDL 484  | GREEN DECK TDL 484  | CHASSIS VERT TDL 484  | GRÜN GEHÄUSE TDL 484 | 1                          |
| -        | 81001353/0        | CHASSIS GIALLO TDL 434 | YELLOW DECK TDL 434 | CHASSIS JAUNE TDL 434 | GELB GEHÄUSE TDL 434 | 1                          |
| -        | 81001355/0        | CHASSIS GIALLO TDL 484 | YELLOW DECK TDL 484 | CHASSIS JAUNE TDL 484 | GELB GEHÄUSE TDL 484 | 1                          |
| -        | 81001343/0        | CHASSIS ROSSO TDL 434  | RED DECK TDL 434    | CHASSIS ROUGE TDL 434 | ROT GEHÄUSE TDL 434  | 1                          |
| -        | 81001344/0        | CHASSIS ROSSO TDL 484  | RED DECK TDL 484    | CHASSIS ROUGE TDL 484 | ROT GEHÄUSE TDL 484  | 1                          |
| 2        | 22600046/1        | PARASASSI              | STONE-GUARD         | PAIRE-PIERRES         | PRALLBLECH           | 1                          |
| 3        | 22450420/1        | MOLLA SINISTRA         | LEFT SPRING         | RESSORT GAUCHE        | LINK FEDER           | 1                          |
| 4        | 22450410/1        | MOLLA DESTRA           | RIGHT SPRING        | RESSORT DROITE        | RECHTE FEDER         | 1                          |
| 5        | 22517906/0        | PERNO                  | PIN                 | PIVOT                 | BOLZEN               | 1                          |
| 6        | 81006512/0        | PARTE INFERIORE MANICO | LOWER HANDLE        | PARTIE INF. MANCHERON | HOLMUNTERTEIL        | 1                          |
| 7        | 81006998/1        | PARTE SUPERIORE MANICO | UPPER HANDLE        | PARTIE SUP. MANCHERON | HOLMOBERTEIL         | 1                          |
| 8        | 81003801/0        | MOLLA GUIDA            | SPRING              | RESSORT               | FEDER                | 1                          |
| 10       | 12819201/0        | VITE                   | SCREW               | VIS                   | SCHRAUBE             | 1                          |
| 11       | 22680006/1        | RONDELLA               | WASHER              | RONDELLE              | SCHEIBE              | 2                          |
| 12       | 22399900/0        | MANOPOLINA             | KNOB                | POIGNEE               | GRIFT                | 4                          |
| 13       | 12293200/0        | DADO                   | NUT                 | ECROU                 | MUTTER               | 4                          |
| 14       | 22041955/0        | BUSSOLA                | BUSH                | DOUILLE               | BUCHSE               | 4                          |
| 15       | 12792610/0        | VITE                   | SCREW               | VIS                   | SCHRAUBE             | 2                          |
| 16       | 12793700/0        | VITE                   | SCREW               | VIS                   | SCHRAUBE             | 2                          |
| 17       | 12155000/0        | DADO                   | NUT                 | ECROU                 | MUTTER               | 2                          |
| 18       | 12793700/0        | VITE M8 x 30           | SCREW M8 x 30       | VIS M8 x 30           | SCHRAUBE M8 x 30     | 3/2                        |
| -        | 12691800/0        | VITE M8 x 60           | SCREW M8 x 60       | VIS M8 x 60           | SCHRAUBE M8 x 60     | 0/1                        |
| 19       | 12293201/0        | DADO                   | NUT                 | ECROU                 | MUTTER               | 3/2                        |
| -        | 12155000/0        | DADO                   | NUT                 | ECROU                 | MUTTER               | 0/1                        |
| 20       | 22120152/0        | CRUSCOTTO GIALLO       | YELLOW DASH BOARD   | CONSOLE JAUNE         | GELB KONSOLE         | 1                          |
| -        | 22120158/0        | CRUSCOTTO NERO         | BLACK DASH BOARD    | CONSOLE NOIRE         | SCHWARZE KONSOLE     | 1                          |

EDIPROM  
REGAL  
Ec 12/2,21

| Pos. Nr. | Codice Code Kodex | Descrizione                    | Description                    | Description                    | Beschreibung                   | Q.tà Q.ty-Q.tè Menge |
|----------|-------------------|--------------------------------|--------------------------------|--------------------------------|--------------------------------|----------------------|
| ↓        |                   |                                |                                |                                |                                |                      |
| -        | 22120154/0        | CRUSCOTTO ROSSO                | RED DASH BOARD                 | CONSOLE ROUGE                  | ROTE KONSOLE                   | 1                    |
| 21       | 22943006/0        | VITE                           | SCREW                          | VIS                            | SCHRAUBE                       | 1                    |
| 22       | 12728460/0        | VITE                           | SCREW                          | VIS                            | SCHRAUBE                       | 1                    |
| 23       | 81007280/1        | ASS. LEVA + MANOPOLINA         | LEVER+KNOB ASS.Y               | ENS. LEVIER+POIGNEE            | HEBEL+GRIFF SATZ               | 1                    |
| 24       | 12791500/0        | VITE                           | SCREW                          | VIS                            | SCHRAUBE                       | 1                    |
| 25       | 12530060/0        | RONDELLA ELASTICA              | SPRING WASHER                  | RONDELLE ELASTIQUE             | FERDERSCHEIBE                  | 1                    |
| 26       | 12523040/0        | RONDELLA                       | WASHER                         | RONDELLE                       | SCHEIBE                        | 2                    |
| 27       | 12154510/0        | DADO                           | NUT                            | ECROU                          | MUTTER                         | 1                    |
| 28       | 22981467/0        | PIASTRINA                      | PLATE                          | PLAQUETTE                      | PLATTE                         | 1                    |
| 29       | 12735105/0        | VITE                           | SCREW                          | VIS                            | SCHRAUBE                       | 2                    |
| 30       | 22806612/0        | SUPPORTO                       | SUPPORT                        | SUPPORT                        | HALTER                         | 1                    |
| 31       | 12728518/0        | VITE                           | SCREW                          | VIS                            | SCHRAUBE                       | 1                    |
| 32       | 81003291/1        | LEVA FRENO MOTORE              | BRAKE LEVER                    | LEVIER FREIN MOTEUR            | MOTORBREMSEHEBEL               | 1                    |
| 33       | 22041966/0        | BOCCOLA                        | BUSH                           | DOUILLE                        | BUCHSE                         | 2                    |
| 34       | 81007160/0        | CAVO ACCELERATORE              | THROTTLE CABLE                 | CABLE ACCELERATEUR             | BESCHLEUNIGER KABEL            | 1                    |
| 35       | 81000633/0        | CAVO FRENO MOTORE              | THREAD MOTOR BRAKE             | CABLE FREIN MOTEUR             | MOTORBREMSEKABEL               | 1                    |
|          |                   | TDL 434 (Quantum XM)           | TDL 434 (Quantum XM)           | TDL 434 (Quantum XM)           | TDL 434 (Quantum XM)           |                      |
| -        | 81000627/0        | CAVO FRENO MOTORE              | THREAD MOTOR BRAKE             | CABLE FREIN MOTEUR             | MOTORBREMSEKABEL               | 1                    |
|          |                   | TDL 434 (Sprint 375 - Quattro) | TDL 434 (Sprint 375 - Quattro) | TDL 434 (Sprint 375 - Quattro) | TDL 434 (Sprint 375 - Quattro) |                      |
| -        | 81000623/1        | CAVO FRENO MOTORE              | THREAD MOTOR BRAKE             | CABLE FREIN MOTEUR             | MOTORBREMSEKABEL               | 1                    |
|          |                   | TDL 434-484 (Tecumseh)         | TDL 434-484 (Tecumseh)         | TDL 434-484 (Tecumseh)         | TDL 434-484 (Tecumseh)         |                      |
| -        | 81000631/0        | CAVO FRENO MOTORE              | THREAD MOTOR BRAKE             | CABLE FREIN MOTEUR             | MOTORBREMSEKABEL               | 1                    |
|          |                   | TDL 484 (Quantum XM)           | TDL 484 (Quantum XM)           | TDL 484 (Quantum XM)           | TDL 484 (Quantum XM)           |                      |
| -        | 81000625/0        | CAVO FRENO MOTORE              | THREAD MOTOR BRAKE             | CABLE FREIN MOTEUR             | MOTORBREMSEKABEL               | 1                    |
|          |                   | TDL 484 (Sprint 375 - Quattro) | TDL 484 (Sprint 375 - Quattro) | TDL 484 (Sprint 375 - Quattro) | TDL 484 (Sprint 375 - Quattro) |                      |
| -        | 81000624/0        | CAVO FRENO MOTORE              | THREAD MOTOR BRAKE             | CABLE FREIN MOTEUR             | MOTORBREMSEKABEL               | 1                    |
|          |                   | TDL 484 (Honda GXV 140)        | TDL 484 (Honda GXV 140)        | TDL 484 (Honda GXV 140)        | TDL 484 (Honda GXV 140)        |                      |
| 36       | 14356743/0        | ETICHETTA (Tecumseh Honda)     | LABEL (Tecumseh Honda)         | ETIQUETTE (Tecumseh Honda)     | ETIKETTE (Tecumseh Honda)      | 1                    |
| -        | 14356744/0        | ETICHETTA (B&S)                | LABEL (B&S)                    | ETIQUETTE (B&S)                | ETIKETTE (B&S)                 | 1                    |
| 37       | 22038403/0        | BRONZINA SINISTRA              | LEFT BUSH                      | DOUILLE GAUCHE                 | LINK BUCHSE                    | 1                    |
| 38       | 22038402/0        | BRONZINA DESTRA                | RIGHT BUSH                     | DOUILLE DROITE                 | RECHT BUCHSE                   | 1                    |
| 39       | 22545142/0        | PIASTRINA                      | PLATE                          | PLAQUETTE                      | PLATTE                         | 2                    |
| 40       | 12731350/0        | VITE                           | SCREW                          | VIS                            | SCHRAUBE                       | 4                    |

**Variante acceleratore**

**Throttle variants**

**Variantes de comande d'acceleration**

**Anderungen auf Gashebel**

|     |            |                            |                        |                            |                           |   |
|-----|------------|----------------------------|------------------------|----------------------------|---------------------------|---|
| 221 | 81007080/0 | ASSIEME ACCELERATORE       | TROTTLE UNIT ASS.Y     | ENS. ACCELERATEUR          | BESCHLEUNIGER             | 1 |
| 222 | 81007279/0 | ASS. LEVA + MANOPOLINA     | LEVER+KNOB ASS.Y       | ENS. LEVIER+POIGNEE        | HEBEL+GRIFF SATZ          | 1 |
| 223 | 12815000/0 | VITE                       | SCREW                  | VIS                        | SCHRAUBE                  | 1 |
| 224 | 125081D0/0 | RONDELLA ELASTICA          | SPRING WASHER          | RONDELLE ELASTIQUE         | FERDERSCHEIBE             | 1 |
| 225 | 12521360/0 | RONDELLA                   | WASHER                 | RONDELLE                   | SCHEIBE                   | 1 |
| 226 | 22171005/0 | DISTANZIALE                | SPACER                 | ENTRETOISE                 | DISTANZRING               | 1 |
| 227 | 12581500/0 | GROWER                     | GROWER                 | GROWER                     | FEDERRING                 | 1 |
| 228 | 12291000/0 | DADO                       | NUT                    | ECROU                      | MUTTER                    | 1 |
| 229 | 14356702/0 | ETICHETTA (Tecumseh Honda) | LABEL (Tecumseh Honda) | ETIQUETTE (Tecumseh Honda) | ETIKETTE (Tecumseh Honda) | 1 |
| -   | 14356703/0 | ETICHETTA (B&S)            | LABEL (B&S)            | ETIQUETTE (B&S)            | ETIKETTE (B&S)            | 1 |

**Variante regime fisso**

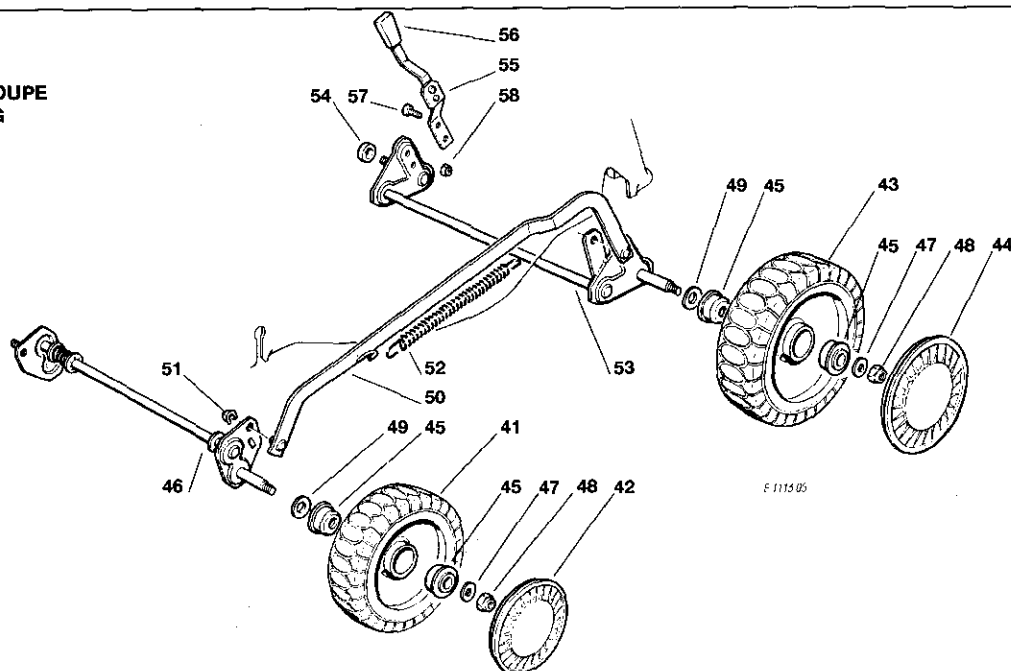
**R.p.m. variants**

**Variantes pour modèle à regime fixe**

**Anderungen für Modelle mit fixierter Drehzahl**

|     |            |            |            |            |        |   |
|-----|------------|------------|------------|------------|--------|---|
| 251 | 22601000/0 | PROTEZIONE | PROTECTION | PROTECTION | SCHUTZ | 1 |
|-----|------------|------------|------------|------------|--------|---|

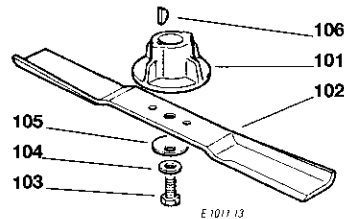
**RUOTE E REGOLAZIONE  
WHEELS AND HEIGHT ADJUSTING  
ROUES ET REGLAGE HAUTEUR DE COUPE  
RAEDER UND SCHNITTVERSTELLUNG**



F 1115 05

| Pos. Nr. | Codice Code Kodex | Descrizione                            | Description                       | Description                        | Beschreibung                    | Q.tà<br>Q.ty-Q.tè<br>Menge |
|----------|-------------------|--|-----------------------------------|------------------------------------|---------------------------------|----------------------------|
| 41       | 81007317/0        | RUOTA SCOLPITA Ø 170                   | KNOBBLY WHEEL Ø 170               | ROUE SCULPTEE Ø 170                | RAD M. STOLLENPR. Ø 170         | 2                          |
| 42       | 22110282/0        | COPRIMOZZO BIANCO                      | WHITE HUB CAP                     | COUVRE-MOYEU BLANCHE               | WEISSE RADKAPPE                 | 2                          |
| -        | 22110288/0        | COPRIMOZZO GIALLO                      | YELLOW HUB CAP                    | COUVRE-MOYEU JAUNE                 | GELB RADKAPPE                   | 2                          |
| 43       | 81007318/0        | RUOTA SCOLPITA Ø 210                   | KNOBBLY WHEEL Ø 210               | ROUE SCULPTEE Ø 210                | RAD M. STOLLENPR. Ø 210         | 2                          |
| 44       | 22110281/0        | COPRIMOZZO BIANCO                      | WHITE HUB CAP                     | COUVRE-MOYEU BLANCHE               | WEISSE RADKAPPE                 | 2                          |
| -        | 22110287/0        | COPRIMOZZO GIALLO                      | YELLOW HUB CAP                    | COUVRE-MOYEU JAUNE                 | GELB RADKAPPE                   | 2                          |
| 45       | 22122200/0        | CUSCINETTO                             | BEARING                           | COUSSINET                          | KUGELLAGER                      | 8                          |
| 46       | 81001272/0        | ASSE RUOTE ANTERIORE<br>TDL 434        | FRONT WHEELS AXLE<br>TDL 434      | AXE ROUES AVANT<br>TDL 434         | VORDERRADACHSE<br>TDL 434       | 1                          |
| -        | 81001274/0        | ASSE RUOTE ANTERIORE<br>TDL 484        | FRONT WHEELS AXLE<br>TDL 484      | AXE ROUES AVANT<br>TDL 484         | VORDERRADACHSE<br>TDL 484       | 1                          |
| 47       | 12521350/0        | RONDELLA                               | WASHER                            | RONDELLE                           | SCHEIBE                         | 4                          |
| 48       | 12155000/0        | DADO                                   | NUT                               | ECROU                              | MUTTER                          | 4                          |
| 49       | 12530150/0        | RONDELLA ELASTICA                      | ELASTIC WASHER                    | RONDELLE ELASTIQUE                 | ELASTISCHE SCHEIBE              | 4                          |
| 50       | 81001275/0        | ASTA COMANDO TDL 434                   | ADJUSTMENT ROD TDL 434            | TIGE COMMANDE TDL 434              | STELLSTAB TDL 434               | 1                          |
| -        | 81001276/0        | ASTA COMANDO TDL 484                   | ADJUSTMENT ROD TDL 484            | TIGE COMMANDE TDL 484              | STELLSTAB TDL 484               | 1                          |
| 51       | 12436050/0        | PIASTRINA                              | PLATE                             | PLAQUETTE                          | PLÄTTCHEN                       | 2                          |
| 52       | 22446180/0        | MOLLA                                  | SPRING                            | RESSORT                            | FEDER                           | 1                          |
| 53       | 81001278/0        | ASSE RUOTE POSTERIORE<br>TDL 434 - 484 | REAR WHEELS AXLE<br>TDL 434 - 484 | AXE ROUES ARRIERE<br>TDL 434 - 484 | HINTERRADACHSE<br>TDL 434 - 484 | 1                          |
| 54       | 22170800/0        | DISTANZIALE                            | SPACER                            | ENTRETOISE                         | DOSTANZRING                     | 1                          |
| 55       | 81003279/1        | LEVA REGOLAZIONE                       | ADJUSTMENT LEVER                  | LEVIER REGLAGE                     | VERSTELLUNG HEBEL               | 1                          |
| 56       | 22397000/0        | MANOPOLA                               | KNOB                              | POIGNEE                            | GRIFF                           | 1                          |
| 57       | 12789000/0        | VITE                                   | SCREW                             | VIS                                | SCHRAUBE                        | 2                          |
| 58       | 12154330/0        | DADO                                   | NUT                               | ECROU                              | MUTTER                          | 2                          |

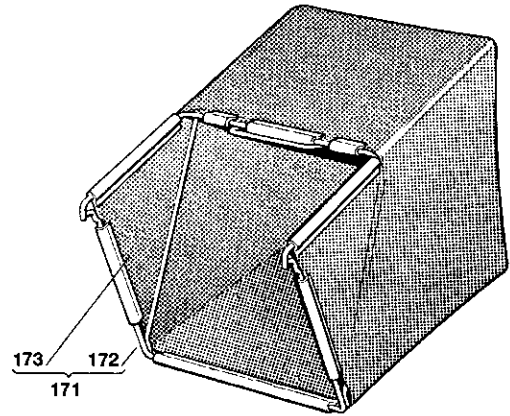
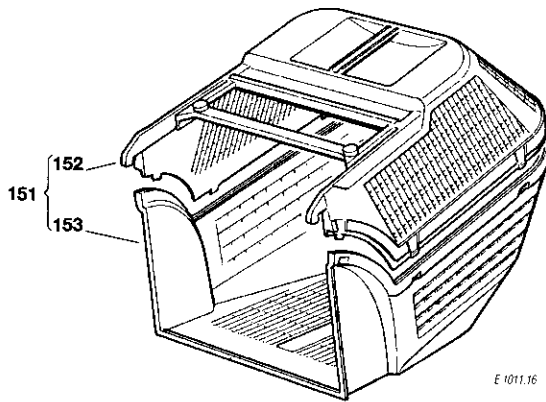
**GRUPPO COLTELLO  
BLADE ASS.Y  
GROUPE DES LAMES  
MESSERSATZ**



|     |            |                         |                      |                       |                       |   |
|-----|------------|-------------------------|----------------------|-----------------------|-----------------------|---|
| 101 | 22463012/1 | MOZZO                   | HUB                  | MOYEU                 | HALTER                | 1 |
| 102 | 81004341/2 | COLTELLO STANDARD cm 41 | STANDARD BLADE cm 41 | LAME STANDARD cm 41   | STANDARD MESSER cm 41 | 1 |
| -   | 81004396/0 | COLTELLO ALETTATO cm 41 | WINGS BLADE cm 41    | LAME À AILETTES cm 41 | FLUEGELMESSER cm 41   | 1 |
| -   | 81004346/2 | COLTELLO STANDARD cm 46 | STANDARD BLADE cm 46 | LAME STANDARD cm 46   | STANDARD MESSER cm 46 | 1 |
| -   | 81004397/0 | COLTELLO ALETTATO cm 46 | WINGS BLADE cm 46    | LAME À AILETTES cm 46 | FLUEGELMESSER cm 46   | 1 |
| 103 | 12735698/0 | VITE                    | SCREW                | VIS                   | SCHRAUBE              | 1 |
| 104 | 12523080/0 | RONDELLA                | WASHER               | RONDELLE              | SCHEIBE               | 1 |
| 105 | 22160400/0 | DISCO ELASTICO          | ELASTIC WASHER       | RONDELLE ELASTIQUE    | ELASTISCHE SCHEIBE    | 1 |
| 106 | 12139100/0 | LINGUETTA               | FEATHER              | CLAVETTE              | KEIL                  | 1 |

| Pos. Nr. | Codice Code Kodex | Descrizione | Description | Description | Beschreibung | Q.tà<br>Q.ty-Q.tè<br>Menge |
|----------|-------------------|-------------|-------------|-------------|--------------|----------------------------|
|----------|-------------------|-------------|-------------|-------------|--------------|----------------------------|

**SACCO RACCOGLIERBA E DOTAZIONE  
GRASS-CATCHER AND SCREWS OUTFITS  
BAC DE RAMASSAGE ET DOTATION VISSERIE  
GRASFANGKORB UND SCHRAUBENSATZ**



|     |            |                       |                               |                       |                 |   |
|-----|------------|-----------------------|-------------------------------|-----------------------|-----------------|---|
| 151 | 94004000/0 | SACCO COMPLETO        | COMPLETE GRASS-BOX            | BAC COMPLET           | KOMPLETTER KORB | 1 |
| 152 | 22486073/0 | PARTE SUPERIORE SACCO | UPPER GRASS-BOX               | PARTIE SUPERIEURE SAC | KORB OBERTEIL   | 1 |
| 153 | 22486074/0 | PARTE INFERIORE SACCO | LOWER GRASS-BOX               | PARTIE INFERIEURE SAC | KORB UNTERTEIL  | 1 |
| 171 | 94005000/0 | ASSIEME SACCO TELA    | CANVASS GRASSCATCHER<br>ASS.Y | ENSEMBLE SAC EN TOILE | KOMPLETTER SACK | 1 |
| 172 | 81006418/0 | TELAIO                | CHASSIS                       | CHASSIS               | RAHMEN          | 1 |
| 173 | 81002105/0 | TELA SACCO            | FABRIC BOX                    | TOILE POUR SAC        | TUCK FÜR SACK   | 1 |
| -   | 81008614/0 | DOTAZIONE VITERIA     | SCREWS OUTFIT                 | DOTATION VISSERIE     | SCHRAUBEN SATZ  | 1 |
| -   | 81008609/0 | DOTAZIONE CRUSCOTTO   | DASH-BOARD OUTFIT             | DOTATION CONSOLE      | KONSOLE SATZ    | 1 |