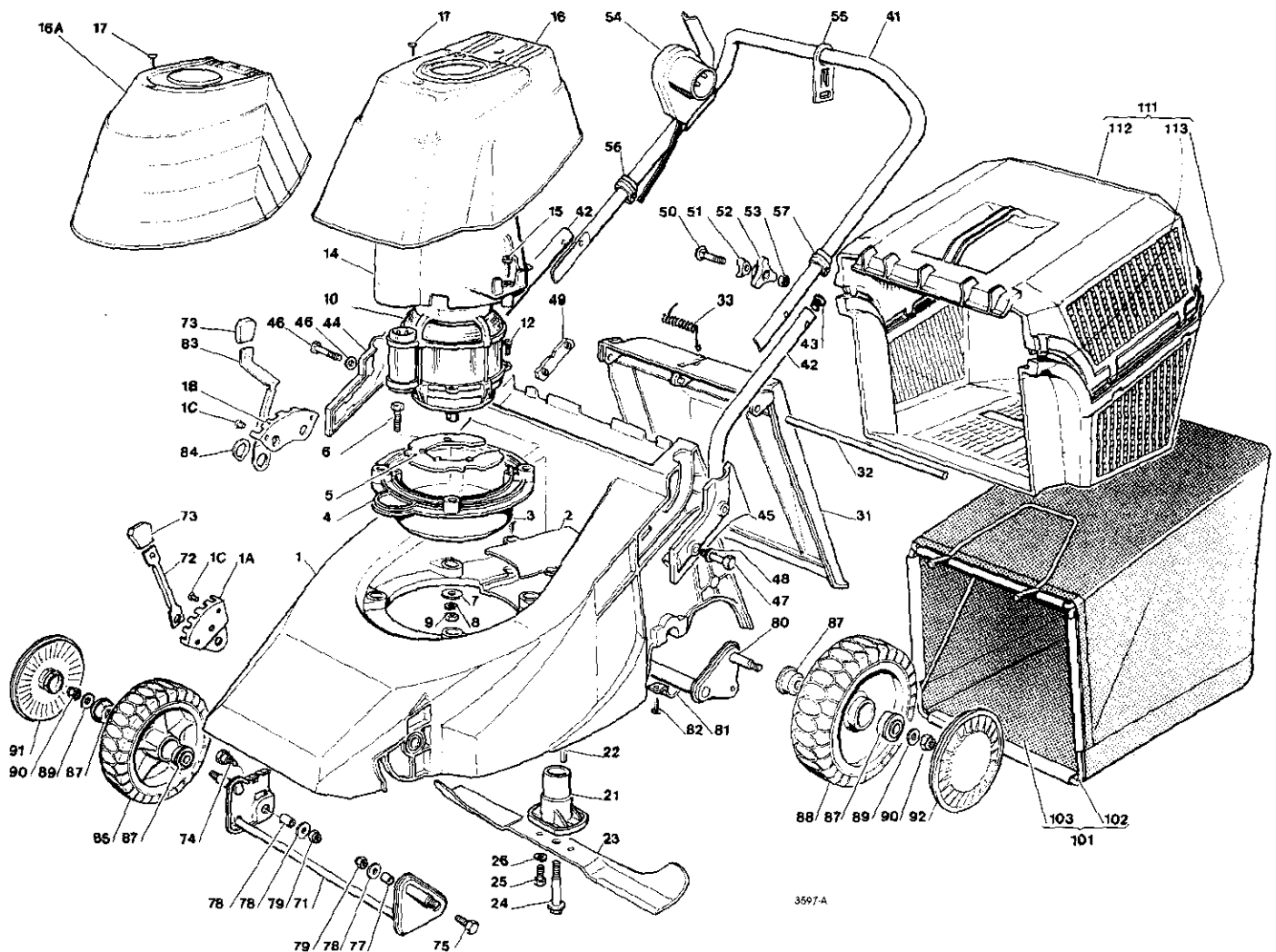


VISTE ESPLOSE  
EXPLODED VIEWS

VUES ECLATEES  
SPRENGZEICHNUNGEN

T 430  
T 430 S  
T 480

Mod. 1998



Pos. Nr.	Codice Kodex Code	Descrizione	Description	Description	Beschreibung	Q.tà Q.ty Q.tè Menge
1	81001415/1	CHASSIS ROSSO T 430	RED DECK T 430	CHÂSSIS ROUGE T 430	ROTES GEHÄUSE T 430	1
—	81001417/1	CHASSIS GIALLO T 430	YELLOW DECK T 430	CHÂSSIS JAUNE T 430	GELBES GEHÄUSE T 430	1
—	81001421/1	CHASSIS VERDE T 430	GREEN DECK T 430	CHÂSSIS VERT T 430	GRÜNES GEHÄUSE T 430	1
—	81001416/1	CHASSIS ROSSO T 480	RED DECK T 480	CHÂSSIS ROUGE T 480	ROTES GEHÄUSE T 480	1
—	81001418/1	CHASSIS GIALLO T 480	YELLOW DECK T 480	CHÂSSIS JAUNE T 480	GELBES GEHÄUSE T 480	1
—	81001422/1	CHASSIS VERDE T 480	GREEN DECK T 480	CHÂSSIS VERT T 480	GRÜNES GEHÄUSE T 480	1
1A	22735535/0	SETTORE REGOLAZIONE	ADJUSTMENT SECTOR	SECTEUR REGLAGE	VERSTELLUNGSEKTOR	1
1B	22735508/0	SETTORE REGOLAZIONE	ADJUSTMENT SECTOR	SECTEUR REGLAGE	VERSTELLUNGSEKTOR	1
1C	12500070/0	RIVETTO	RIVET	RIVET	NIETE	3
2	22060171/0	CARTER CINGHIA T 430	BELT PROTECTIDN T 430	PROTECTION COURROIRE T 430	RIEMENSCHUTZ T 430	1
—	22060172/0	CARTER CINGHIA T 480	BELT PROTECTION T 480	PROTECTION COURROIRE T 480	RIEMENSCHUTZ T 480	1
3	12728680/0	VITE	SCREW	VIS	SCHRAUBE	2
4	22207202/1	FLANGIA	FLANGE	BRIDE	FLANSCH	1
5	22720360/1	SCHERMO VENTILAZIONE	VENTILATION SCREEN	ECRAN VENTILATION	LÜFTUNGSSCHIRM	1
6	12691600/0	VITE	SCREW	VIS	SCHRAUBE	4
7	12523070/0	RONDELLA	WASHER	RONDELLE	SCHIEBE	4
8	12583500/0	GROWER	GROWER	GROWER	FEDERRING	4
9	12293200/0	DADO	NUT	ECROU	MUTTER	4
10		MOTORE	MOTOR	MOTEUR	MOTOR	
—	18563068/1	IBMEI 1300W (230V)	IBMEI 1300W (230V)	IBMEI 1300W (230V)	IBMEI 1300W (230V)	1
—	18563008/0	RST 1300W (220-230V)	RST 1300W (220-230V)	RST 1300W (220-230V)	RST 1300W (220-230V)	1
—	18563069/1	IBMEI 1300W (240V)	IBMEI 1300W (240V)	IBMEI 1300W (240V)	IBMEI 1300W (240V)	1
—	18563061/2	IBMEI 1600W (230V)	IBMEI 1600W (230V)	IBMEI 1600W (230V)	IBMEI 1600W (230V)	1
—	18563009/0	RST 1600W (230V)	RST 1600W (230V)	RST 1600W (230V)	RST 1600W (230V)	1
—	18563047/2	IBMEI 1600W (240V)	IBMEI 1600W (240V)	IBMEI 1600W (240V)	IBMEI 1600W (240V)	1
10A	18740051/0	VENTOLA	FAN	VENTILATEUR	LÜFTER	1
10B	18222037/0	CONDENSATORE 16 µF	CONDENSER 16 µF	CONDENSEUR 16 µF	KONDENSATOR 16 µF	1
—	18222038/0	CONDENSATORE 20 µF	CONDENSER 20 µF	CONDENSEUR 20 µF	KONDENSATOR 20 µF	1

Pos. Nr.	Codice Kodex Code	Descrizione	Description	Description	Beschreibung	Q.tà Q.ty Q.tè Menge
12	12735410/0	VITE	SCREW	VIS	SCHRAUBE	4
14	22785061/0	SUPPORTO CAPOTTINA	COVER SUPPORT	SUPPORT CAPOT	HAUBEHALTER	1
15	12728710/0	VITE	SCREW	VIS	SCHRAUBE	4
16	81002059/0	ASS. CAPOTTINA	COVER ASS.Y	ENS. CAPOT	KOMPLETTE HAUBE	1
16A	81002057/0	ASS. CAPOTTINA	COVER ASS.Y	ENS. CAPOT	KOMPLETTE HAUBE	1
17	12728680/0	VITE	SCREW	VIS	SCHRAUBE	2
21	22463187/1	MOZZO	HUB	MOYEU	NABE	1
22	12139440/0	LINGUETTA	FEATHER	CLAVETTE	KEIL	1
23	81004396/0	COLTELLO ALETTATO 41 cm.	WINGED BLADE 41 cm.	LAME AILETTÉE 41 cm.	FLÜGELMESSER 41 cm.	1
—	81004341/2	COLTELLO STANOARD 41 cm.	STANDARD BLADE 41 cm.	LAME STANDARD 41 cm.	STANDARD MESSER 41 cm.	1
—	81004397/0	COLTELLO ALETTATO 46 cm.	WINGED BLADE 46 cm.	LAME AILETTÉE 46 cm.	FLÜGELMESSER 46 cm.	1
—	81004346/2	COLTELLO STANDARD 46 cm.	STANDARD BLADE 46 cm.	LAME STANDARD 46 cm.	STANDARD MESSER 46 cm.	1
24	81004353/1	VITE	SCREW	VIS	SCHRAUBE	1
25	12793101/0	VITE	SCREW	VIS	SCHRAUBE	1
26	12583500/0	GROWER	GROWER	GROWER	FEDERRING	2
31	22600023/2	PARASASSI	STONE-GUARD	PARE-PIERRES	PRALLBLECH	1
32	22517907/0	PERNO	PIN	PIVOT	BOLZEN	1
33	22450270/0	MOLLA	SPRING	RESSORT	FEDER	1
41	81006945/1	MANICO SUPERIORE	UPPER HANDLE	PARTIE SUP. MANCHERON	OVERHOLM	1
42	81006917/0	MANICO INFERIDRE	LOWER HANDLE	PARTIE INF. MANCHERON	UNTERHDLM	2
43	18566110/0	PUNTALE	CAP	BOUCHON	GUMMISTOPFEN	2
44	22600042/0	PROTEZ. MANICO DX	RIGHT HANDLE PROT.	PROT. MANCHERON DROITE	RECHTER HOLMSCHUTZ	1
45	22600043/0	PROTEZ. MANICO SX	LEFT HANDLE PROT.	PROT. MANCHERON GAUCHE	LINKER HOLMSCHUTZ	1
46	12691400/0	VITE	SCREW	VIS	SCHRAUBE	2
47	12691900/0	VITE	SCREW	VIS	SCHRAUBE	2
48	12521350/0	RONDELLA	WASHER	RONDELLE	SCHIBE	4
49	81005102/0	PIASTRINA FISSAGGIO MANICO	PLATE FDR HANDLE FASTENING	PLAQUETTE FIXAGE MANCHERON	HOLMBEFESTIGUNG PLÄTTCHEN	1
49A	22551632/0	PIASTRINA FISSAGGIO MANICO	PLATE FOR HANDLE FASTENING	PLAQUETTE FIXAGE MANCHERON	HDLMBEFESTIGUNG PLÄTTCHEN	1
50	12819120/0	VITE	SCREW	VIS	SCHRAUBE	2
51	22680006/0	ROSETTA	WASHER	RONDELLE	SCHIBE	2
52	22399900/0	MANOPOLINA	KNOB	POIGNÉE	GRIFF	2
53	12293200/0	DADO	NUT	ECROU	MUTTER	2
54	—	SALVAMOTORE M.M.	DEAD HAND SWITCH	INT. MAIN MORTE	TOT MANSCHALTER	—
—	18710562/0	8,5 A 602 MS (1300W IBMEI/RST)	8,5 A 602 MS (1300W IBMEI/RST)	8,5 A 602 MS (1300W IBMEI/RST)	8,5 A 602 MS (1300W IBMEI/RST)	1
—	18710563/0	8,5 A 603 MS (1300W IBMEI/RST)	8,5 A 603 MS (1300W IBMEI/RST)	8,5 A 603 MS (1300W IBMEI/RST)	8,5 A 603 MS (1300W IBMEI/RST)	1
—	—	SOLO PER SVIZZERA	ONLY FOR SWITZERLAND	SEULEMENT POUR LA SUISSE	NUR FÜR SCHWEIZ	—
—	18710624/1	8,5 A 607 MS (1300W IBMEI)	8,5 A 607 MS (1300W IBMEI)	8,5 A 607 MS (1300W IBMEI)	8,5 A 607 MS (1300W IBMEI)	1
—	18710604/0	10 A 602 MS (1600W IBMEI/RST)	10 A 602 MS (1600W IBMEI/RST)	10 A 602 MS (1600W IBMEI/RST)	10 A 602 MS (1600W IBMEI/RST)	1
—	18710572/0	10 A 603 MS (1600W IBMEI/RST)	10 A 603 MS (1600W IBMEI/RST)	10 A 603 MS (1600W IBMEI/RST)	10 A 603 MS (1600W IBMEI/RST)	1
—	—	SOLO PER SVIZZERA	ONLY FOR SWITZERLAND	SEULEMENT POUR LA SUISSE	NUR FÜR SCHWEIZ	—
—	18710628/0	10 607 MS (1600W IBMEI)	10 607 MS (1600W IBMEI)	10 607 MS (1600W IBMEI)	10 607 MS (1600W IBMEI)	1
55	22195101/1	FERMACAVD	FAIR LEAD	FIXATION CABLE	KABELBEFESTIGUNG	1
56	22192000/1	FASCETTA ANCORAGGIO	ANCHOR CLAMP	COLLIER ANCRAGE	BOWDENZUGHALTER	—
57	22192151/0	FERMACAVO	FAIR LEAD	FIXATION CABLE	KABELBEFESTIGUNG	1
71	81001408/0	ASSE RUOTE ANT. T 430	FRONT WHEEL AXLE T 430	AXE ROUES AVANT T 430	VORDERRADACHSE T 430	1
—	81001410/0	ASSE RUOTE ANT. T 480	FRONT WHEEL AXLE T 480	AXE ROUES AVANT T 480	VORDERRADACHSE T 480	1
72	22321502/0	LEVA REGOLAZIONE	ADJUSTMENT LEVER	LEVIER REGLAGE	VERSTELLUNGHEBEL	1
73	22400000/1	MANOPOLINA	KNOB	POIGNÉE	GRIFF	2
74	22519510/0	PERNO	PIN	PIVOT	BOLZEN	1
75	12691100/0	VITE	SCREW	VIS	SCHRAUBE	1
76	22170950/0	DISTANZIALE DX	RIGHT SPACER	ENTRETOISE DROITE	RECHTER DISTANZRING	1
77	22170940/0	DISTANZIALE SX	LEFT SPACER	ENTRETOISE GAUCHE	LINKER DISTANZRING	1
78	12523060/0	ROSETTA	WASHER	RONDELLE	SCHIBE	2
79	12155000/0	DADO	NUT	ECROU	MUTTER	2
80	81001406/0	ASSE RUOTE POST.	REAR WHEEL AXLE	AXE ROUES ARRIERE	HINTERRADACHSE	1
81	22545152/0	PIASTRINA	PLATE	PLAQUETTE	PLATTE	2
82	12735402/0	VITE	SCREW	VIS	SCHRAUBE	4
83	22321497/0	LEVA REGOLAZIONE	ADJUSTMENT LEVER	LEVIER REGLAGE	VERSTELLUNGHEBEL	1
84	12609260/0	ANELLO ARRESTO	RING	ANNEAU DE TENNUE	RING	1
85	81007317/0	RUOTA SCOLPITA Ø 170	KNOBBLY WHEEL Ø 170	ROUE SCULPTEE Ø 170	RAD M. STOLLENPR. Ø 170	2
86	81007318/1	RUOTA SCOLPITA Ø 210	KNOBBLY WHEEL Ø 210	ROUE SCULPTEE Ø 210	RAD M. STOLLENPR. Ø 210	2
87	22122200/0	CUSCINETTO	BEARING	ROULEMENT	KUGELLAGER	8
88	12530150/0	ROSETTA ELASTICA	ELASTIC WASHER	RONDELLE ELASTIQUE	ELASTISCHE SCHIBE	4
89	12521350/0	ROSETTA	WASHER	RONDELLE	SCHIBE	4
90	12155000/0	DADO	NUT	ECROU	MUTTER	4
91	22110282/0	COPRIMOZZO BIANCO	WHITE HUB CAP	COUVRE-MOYEU BLANC	WEIÙE RADKAPPE	2
—	22110288/0	COPRIMOZZO GIALLO	YELLOW HUB CAP	COUVRE-MOYEU JAUNE	GELBE RADKAPPE	2
—	22110290/0	COPRIMOZZO RDSSO	RED HUB CAP	COUVRE-MOYEU ROUGE	ROTE RADKAPPE	2
92	22110281/0	COPRIMOZZO BIANCO	WHITE HUB CAP	COUVRE-MOYEU BLANC	WEIÙE RADKAPPE	2
—	22110287/0	COPRIMOZZO GIALLO	YELLOW HUB CAP	COUVRE-MOYEU JAUNE	GELBE RADKAPPE	2
—	22110289/0	COPRIMOZZO ROSSO	RED HUB CAP	COUVRE-MOYEU ROUGE	ROTE RADKAPPE	2
101	96400000/0	ASS. SACCO IN TELA	CANVASS GRASSCATCHER ASS.Y	ENSEMBLE SAC EN TOILE	KOMPLETTER SACK	1
102	81006430/0	TELAIO	CHASSIS	CHÁSSIS	RAHMEN	1
103	81002124/1	TELA SACCO	FABRIC BOX	TOILE POUR SAC	TUCK FÜR SACK	1
111	96500000/0	SACCO COMPLETO	COMPLETE GRASS-BOX	SAC COMPLET	KOMPLETTER KORB	1
112	22486065/0	PORTE SUP. SACCO	UPPER GRASS-BOX	PARTIE SUP. SAC	OBERKORB	1
113	22486064/0	PORTE INF. SACCO	LOWER GRASS-BOX	PARTIE INF. SAC	UNTERKORB	1
115	12521350/0	RONDELLA	WASHER	RONDELLE	SCHIBE	2
—	81008594/0	DOTAZIONE VITERIA	SCREWS OUTFIT	DOTATION VISSERIE	SCHRAUBEN SATZ	1