

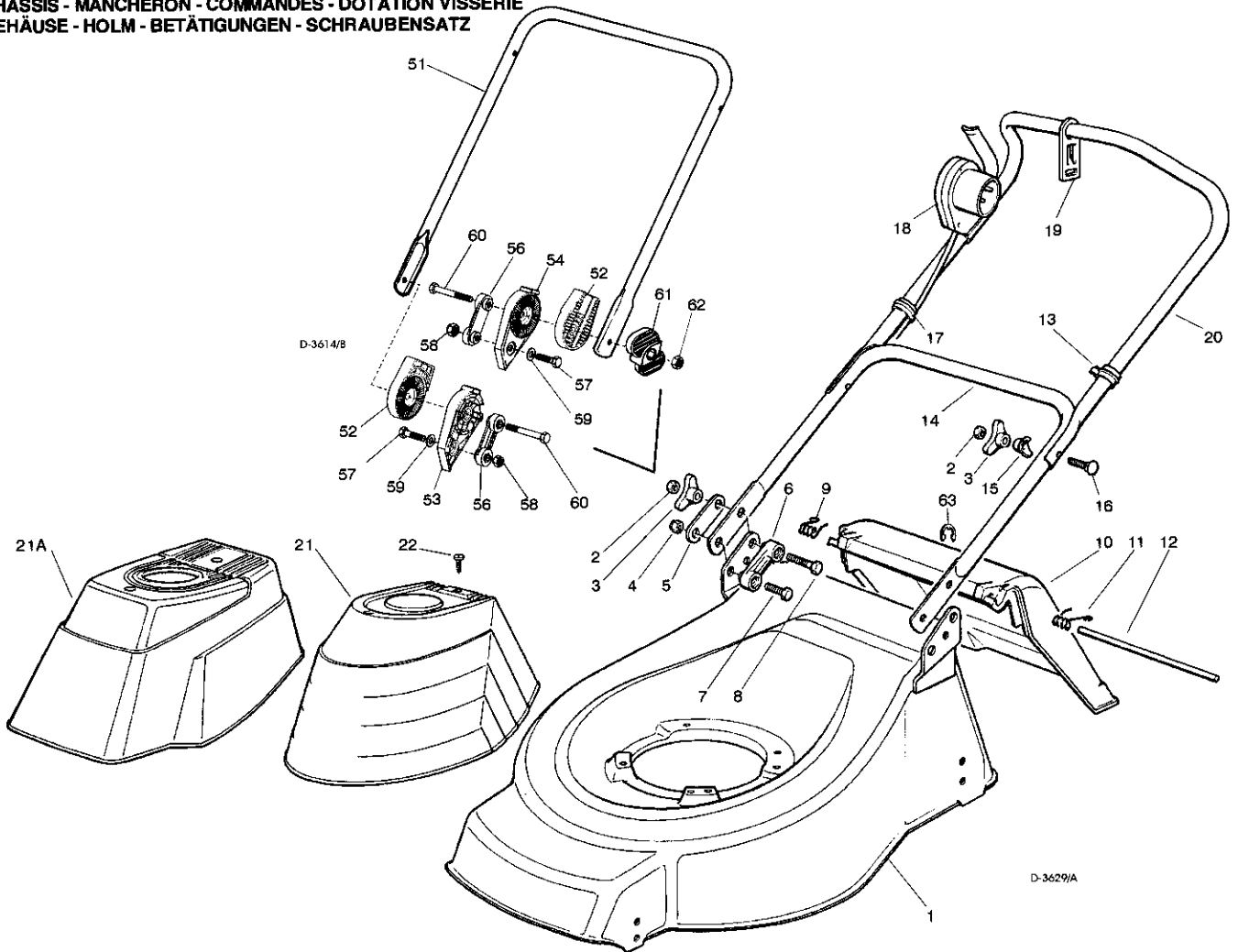
VISTE ESPLOSE
EXPLODED VIEWS

VUES ECLATEES
SPRENGZEICHNUNGEN

TD 430
TD 430S
TD 480

Mod. 1998

CHASSIS - MANICO - COMANDI - DOTAZIONE VITERIE
DECK - HANDLE - CONTROLS - SCREWS OUTFITS
CHÂSSIS - MANCHERON - COMMANDES - DOTATION VISSERIE
GEHÄUSE - HOLM - BETÄTIGUNGEN - SCHRAUBENSATZ



T-3629/A

Pos. Nr.	Codice Code Kodex	Descrizione	Description	Description	Beschreibung	Q.tà Q.ty-Q.tè Menge
1	81001338/0	CHASSIS ROSSO TD 430	RED DECK TD 430	CHÂSSIS ROUGE TD 430	ROTES GEHÄUSE TD 430	1
—	81001348/0	CHASSIS GIALLO TD 430	YELLOW DECK TD 430	CHÂSSIS JAUNE TD 430	GELBES GEHÄUSE TD 430	1
—	81001370/0	CHASSIS VERDE TD 430	GREEN DECK TD 430	CHÂSSIS VERT TD 430	GRÜNES GEHÄUSE TD 430	1
—	81001339/0	CHASSIS ROSSO TD 480	RED DECK TD 480	CHÂSSIS ROUGE TD 480	ROTES GEHÄUSE R TD 480	1
—	81001350/0	CHASSIS GIALLO TD 480	YELLOW DECK TD 480	CHÂSSIS JAUNE TD 480	GELBES GEHÄUSE TD 480	1
—	81001372/0	CHASSIS VERDE TD 480	GREEN DECK TD 480	CHÂSSIS VERT TD 480	GRÜNES GEHÄUSE TD 480	1
2	12293200/0	DADO	NUT	ECROU	MUTTER	4
3	22399900/0	MANOPOLINA	KNOB	POIGNÉE	GRIFF	4
4	12155000/0	DADO	NUT	ECROU	MUTTER	2
5	22551574/0	PIASTRINA ESTERNA	OUTSIDE PLAQUE	PLAQUETTE EXTERNE	ISOLIERPLATTE	2
6	22551575/0	PIASTRINA INTERNA	INSIDE PLAQUE	PLAQUETTE INTERNE	ISOLIERPLATTE	2
7	12793300/0	VITE	SCREW	VIS	SCHRAUBE	2
8	12691115/0	VITE	SCREW	VIS	SCHRAUBE	2
9	22450410/1	MOLLA DESTRA	RIGHT SPRING	RESSORT DROITE	RECHTE FEDER	1
10	22600046/1	PARASASSI	STONE-GUARD	PARE-PIERRES	PRALLBLECH	1
11	22450420/1	MOLLA SINISTRA	LEFT SPRING	RESSORT GAUCHE	LINKE FEDER	1
12	22517906/1	PERNO	PIN	PIVOT	BOLZEN	1
14	81006512/0	PARTE INFERIORE MANICO	LOWER HANDLE	PARTIE INF. MANCHERON	UNTERHOLM	1
15	22680006/1	RONDELLA	WASHER	RONDELLE	SCHIBE	2
16	12819201/0	VITE	SCREW	VIS	SCHRAUBE	2
17	22192000/1	FASCETTA ANCORAGGIO	ANCHOR CLAMP	COLLIER ANCRAGE	BOWDENZUGHALTER	2
18	18710562/0	SALVAMOTORE M.M.	DEAD HAND SWITCH M.M.	INT. MAIN MORTE	TOT MANSCHALTER M.M.	1
—	18710563/0	8,5 A 602 MS (1300W IBMEI)	8,5 A 602 MS (1300W IBMEI)	8,5 A 602 MS (1300W IBMEI)	8,5 A 602 MS (1300W IBMEI)	1
—	18710624/1	8,5 A 607 MS (1300W IBMEI)	8,5 A 607 MS (1300W IBMEI)	8,5 A 607 MS (1300W IBMEI)	8,5 A 607 MS (1300W IBMEI)	1
—	18710623/0	9,5 A 607 MS (1600W)	9,5 A 607 MS (1600W)	9,5 A 607 MS (1600W)	9,5 A 607 MS (1600W)	1
—	18710604/0	10 A 602 MS (1600W)	10 A 602 MS (1600W)	10 A 602 MS (1600W)	10 A 602 MS (1600W)	1

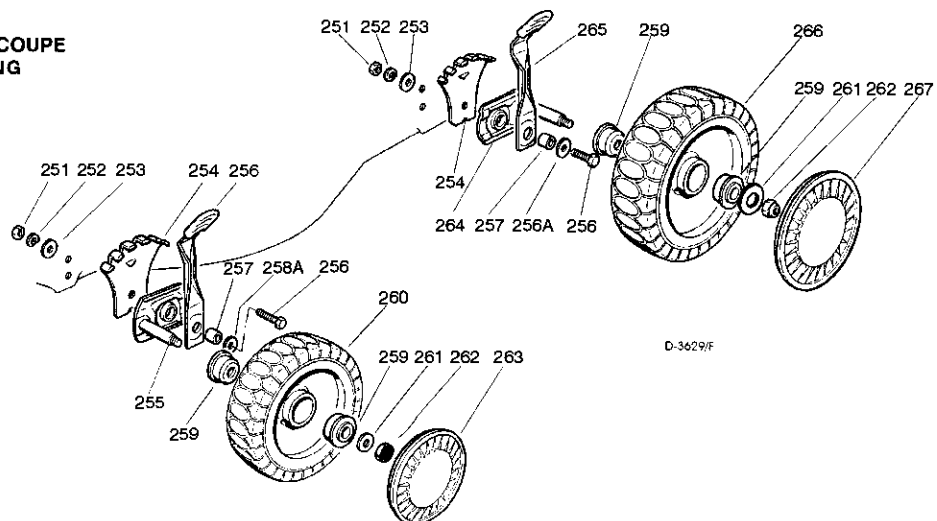
Pos. Nr.	Codice Code Kodex	Descrizione	Description	Description	Beschreibung	Q.tà Q.ty-Q.tè Menge
—	18710572/0	10 A 603 MS (1600W) SOLO PER SVIZZERA	10 A 603 MS (1600W) ONLY FOR SWITZERLAND	10 A 603 MS (1600W) SEUL. POUR LA SUISSE	10 A 603 MS (1600W) NUR FÜR SCHWEIZ	1
—	18710628/0	10 A 607 MS (1600W IBMEI)	10 A 607 MS (1600W IBMEI)	10 A 607 MS (1600W IBMEI)	10 A 607 MS (1600W IBMEI)	1
19	22195101/1	FERMACAVO	FAIR LEAD	FIXATION CABLE	KABELBEFESTIGUNG	1
20	81007017/1	PARTE SUPERIORE MANICO	UPPER HANDLE	PARTIE SUP. MANCHERON	OBERHOLM	1
21	81002057/0	CAPOTINA	COVER	CAPOT	HAUBE	1
21A	81002059/0	CAPOTINA	COVER	CAPOT	HAUBE	1
22	12728680/0	VITE	SCREW	VIS	SCHRAUDE	2

—	81008596/0	DOTAZIONE VITERIA	SCREWS OUTFIT	DOTATION VISSERIE	SCHRAUBEN SATZ	1
---	------------	-------------------	---------------	-------------------	----------------	---

T-3614/B

	VARIANTE REGOLAZIONE MANICO	HANDLE ADJUSTMENT VARIANT	VARIANTE REGLAGE POIGNEE	GRIFFEINSTELLVARIANTE		
51	81006510/0	PARTE INFR. MANICO	LOWER HANDLE	PARTIE INF. MANCHERDN	UNTERHOLM	1
52	22785081/0	SUPPORTO ESTERNO	EXTERNAL SUPPORT	SUPPORT EXTERNE	AUßENHALTERUNG	2
53	22785082/0	SUPPORTO INTERNO DX	RH INTERNAL SUPPORT	SUPPORT INTERNE DROIT	INNENHALTERUNG RECHTS	1
54	22785083/0	SUPPORTO INTERNO SX	LH INTERNAL SUPPORT	SUPPORT INTERNE GAUCHE	INNENHALTERUNG LINKS	1
56	22551575/0	PIASTRINA INTERNA	INSIDE PLAQUE	PLAQUETTE INTERNE	ISOLIER PLATTE	2
57	12793701/0	VITE	SCREW	VIS	SCHRAUBE	2
58	12155000/0	DADO	NUT	ECROU	MUTTER	2
59	12521350/0	RONDELLA	WASHER	RONDELLE	SCHEIBE	2
60	12691810/0	VITE	SCREW	VIS	SCHRAUBE	2
61	22399803/0	MANOPOLINA	KNOB	POIGNÉE	GRIFF	2
62	12293202/0	DADO	NUT	ECROU	MUTTER	2
63	12000930/0	ANELLO ELASTICO	SNAP RING	ANNEAU RESSORT	SPRENGRING	1
—	81008622/0	DOTAZ. VITERIA	SCREWS OUTFIT	DOTATION VISSERIE	SCHRAUBEN SATZ	1

**RUOTE E REGOLAZIONE
WHEELS AND HEIGHT ADJUSTING
ROUES ET REGLAGE HAUTEUR DE COUPE
RAEDER UND SCHNITTVERSTELLUNG**

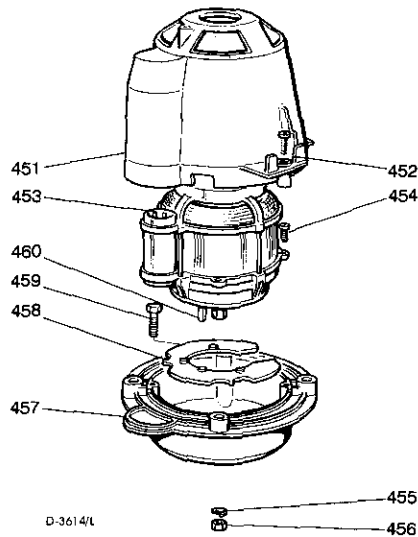


T-3629/F

251	12293200/0	DADO	NUT	ECROU	MUTTER	4
252	12583500/0	GROWER	GROWER	GROWER	FEDERRING	4
253	12523070/0	RONDELLA	WASHER	RONDELLE	SCHEIBE	4
254	22735547/0	SETTORE REGOLAZIONE	ADJUSTMENT SECTOR	SECTEUR REGLAGE	VERSTELLUNGSEKTOR	4
255	81005082/0	SUPPORTO RUOTA	WHEEL SUPPORT	SUPPORT ROUE	RADHALTER	2
256	81003285/0	LEVA REGOLAZIONE	ADJUSTMENT LEVER	LEVIER REGLAGE	VERSTELLUNGHEBEL	2
257	22171001/0	DISTANZIALE	SPACER	ENTRETOISE	DISTANZRING	4
258	12793701/0	VITE	SCREW	VIS	SCHRAUDE	4
258A	12521350/0	RONDELLA	WASHER	RONDELLE	SCHEIBE	4
259	22034508/0	BOCCOLA	BUSH	DOUILLE	BUCHSE	8
260	81007317/0	RUOTA SCOLPITA Ø 170	KNOBBLY WHEEL Ø 170	ROUE SCULPTEE Ø 170	RAD M. STOLLENPR. Ø 170	2
261	12523060/0	RONDELLA	WASHER	RONDELLE	SCHEIBE	4
262	12155000/0	DADO	NUT	ECROU	MUTTER	4
263	22110282/0	COPRIMOZZO BIANCO	WHITE HUB CAP	COUVRE-MOYEU BLANC	WEIßE RADKAPPE	2
—	22110288/0	COPRIMOZZO GIALLO	YELLOW HUB CAP	COUVRE-MOYEU JAUNE	GELBE RADKAPPE	2
—	22110290/0	COPRIMOZZO ROSSO	RED HUB CAP	COUVRE-MOYEU ROUGE	ROTE RADKAPPE	2
264	81005084/0	SUPPORTO RUOTA	WHEEL SUPPORT	SUPPORT ROUE	RADHALTER	2
265	81003286/0	LEVA REGOLAZIONE	ADJUSTMENT LEVER	LEVIER REGLAGE	VERSTELLUNGHEBEL	2
266	81007318/1	RUOTA SCOLPITA Ø 210	KNOBBLY WHEEL Ø 210	ROUE SCULPTEE Ø 210	RAD M. STOLLENPR. Ø 210	2
267	22110281/0	COPRIMOZZO BIANCO	WHITE HUB CAP	COUVRE-MOYEU BLANC	WEIßE RADKAPPE	2
—	22110287/0	COPRIMOZZO GIALLO	YELLOW HUB CAP	COUVRE-MOYEU JAUNE	GELBE RADKAPPE	2
—	22110289/0	COPRIMOZZO ROSSO	RED HUB CAP	COUVRE-MOYEU ROUGE	ROTE RADKAPPE	2

Pos. Nr.	Codice Code Kodex	Descrizione	Description	Description	Beschreibung	Q.tà Q.ty-Q.tè Menge
----------	-------------------	-------------	-------------	-------------	--------------	----------------------------

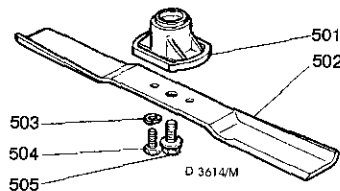
**GRUPPO MOTORE ELETTRICO
MOTOR ASS.Y
MOTEUR ELECTRIQUE
ELEKTROMOTOR**



T-3614/L

451	22785061/0	SUPPORTO CAPOTTINA	COVER SUPPORT	SUPPORT CAPOT	HAUBEHALTER	1
452	12728710/0	VITE	SCREW	VIS	SCHRAUBE	4
453		MOTORE	MOTOR	MOTEUR	MOTOR	
—	18563068/1	IBMEI 1300W (230V)	IBMEI 1300W (230V)	IBMEI 1300W (230V)	IBMEI 1300W (230V)	1
—	18563008/0	RST 1300W (220-230V)	RST 1300W (220-230V)	RST 1300W (220-230V)	RST 1300W (220-230V)	1
—	18563069/1	IBMEI 1300W (240V)	IBMEI 1300W (240V)	IBMEI 1300W (240V)	IBMEI 1300W (240V)	1
—	18563061/2	IBMEI 1600W (230V)	IBMEI 1600W (230V)	IBMEI 1600W (230V)	IBMEI 1600W (230V)	1
—	18563009/0	RST 1600W (230V)	RST 1600W (230V)	RST 1600W (230V)	RST 1600W (230V)	1
—	18563047/2	IBMEI 1600W (240V)	IBMEI 1600W (240V)	IBMEI 1600W (240V)	IBMEI 1600W (240V)	1
453A	18740049/0	VENTOLA PER MOTORE	MOTOR FAN	VENTILATEUR MOTEUR	LÜFTER	1
—	18740051/0	VENTOLA PER MOTORE RST	RST MOTOR FAN	VENTILATEUR MOTEUR RST	RST LÜFTER	1
453B	18222037/0	CONDENSATORE 16 µF	CONDENSER 16 µF	CONDENSEUR 16 µF	KONDENSATOR 16 µF	1
—	18222038/0	CONDENSATORE 20 µF	CONDENSER 20 µF	CONDENSEUR 20 µF	KONDENSATOR 20 µF	1
454	12735410/0	VITE	SCREW	VIS	SCHRAUBE	4
455	12583500/0	GROWER	GROWER	GROWER	FEDERRING	4
456	12293200/0	DADO	NUT	ECROU	MUTTER	4
457	22207211/3	FLANGIA	FLANGE	BRIDE	FLANSCH	1
458	22720360/1	SCHERMO VENTILAZIONE	VENTILATION SCREEN	ECRAN VENTILATION	LÜFTUNGSSCHIRM	1
459	12793700/0	VITE	SCREW	VIS	SCHRAUBE	4
460	12139440/0	LINGUETTA	FEATHER	CLAVETTE	KEIL	1

**GRUPPO COLTELLO
BLADE ASS.Y
GROUPE LAME
MESSERSATZ**

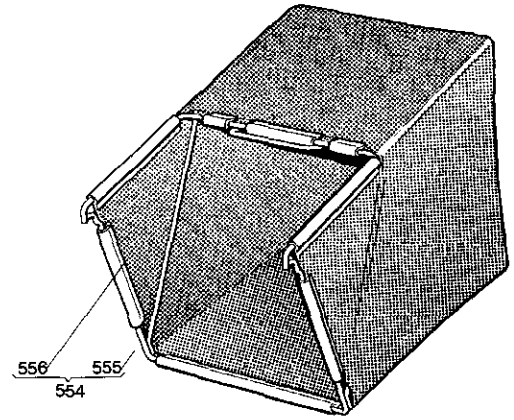
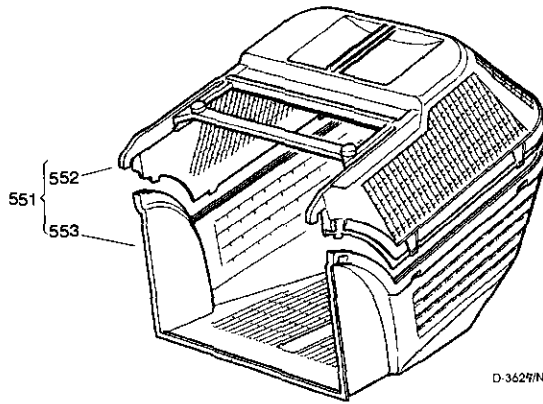


1-3621/M

501	22463186/1	MOZZO	HUB	MOYEU	NABE	1
502	81004341/2	COLTELLO STANDARD 41 cm.	STANDARD BLADE 41 cm.	LAME STANDARD 41 cm.	STANDARD MESSER 41 cm.	1
—	81004396/0	COLTELLO ALETTATO 41 cm.	WINGED BLADE 41 cm.	LAME AILETTÉE 41 cm.	FLÜGELMESSER 41 cm.	1
—	81004346/2	COLTELLO STANDARD 46 cm.	STANDARD BLADE 46 cm.	LAME STANDARD 46 cm.	STANDARD MESSER 46 cm.	1
—	81004397/0	COLTELLO ALETTATO 46 cm.	WINGED BLADE 46 cm.	LAME AILETTÉE 46 cm.	FLÜGELMESSER 46 cm.	1
503	12583500/0	GROWER	GROWER	GROWER	FEDERRING	2
504	12793101/0	VITE	SCREW	VIS	SCHRAUBE	2
505	81004352/0	VITE	SCREW	VIS	SCHRAUBE	1

Pos. Nr.	Codice Code Kodex	Descrizione	Description	Description	Beschreibung	Q.tà Q.ty-Q.tè Menge
----------	-------------------	-------------	-------------	-------------	--------------	----------------------------

**SACCO RACCOGLIERBA
GRASS-CATCHER
BAC DE RAMASSAGE
GRASFANGKORB**



551	94004000/0	SACCO COMPLETO	COMPLETE GRASS-BOX	BAC COMPLET	KOMPLETTER KORB	1
552	22486073/0	PARTE SUPERIORE SACCO	UPPER GRASS-BOX	PARTIE SUPERIEURE SAC	OBERKORB	1
553	22486074/0	PARTE INFERIORE SACCO	LOWER GRASS-BOX	PARTIE INFERIEURE SAC	UNTERKORB	1
554	94005000/0	ASSIEME SACCO TELA	CANVASS GRASSCATCHER ASS.Y	ENSEMBLE SAC EN TOILE	KOMPLETTER SACK	1
555	81006418/0	TELAIO	CHASSIS	CHÂSSIS	RAHMEN	1
556	81002105/2	TELA SACCO	FABRIC BOX	TOILE POUR SAC	TUCK FÜR SACK	1