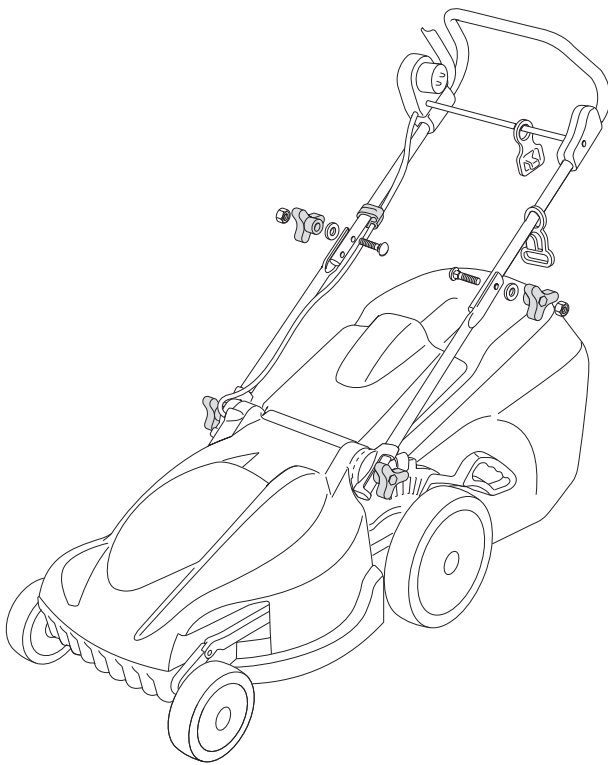


ILLUSTRATED PARTS LIST

EL 380



- Use GLOBAL GARDEN PRODUCT Genuine Spare Parts specified in the parts list for repair and/or replacement.
- The contents described in the parts list may change due to improvement.
- The drawings of the spare parts are only indicative and might not represent the part in question exactly.
- The indications "right" - "left" - "front" - "rear" refer to the position of the operator when using the machine.
- When placing orders of parts for repair and/or replacement, make sure that the illustrated parts list is the one applying to the machine's year of manufacture, as shown on the identification plate attached to the machine.

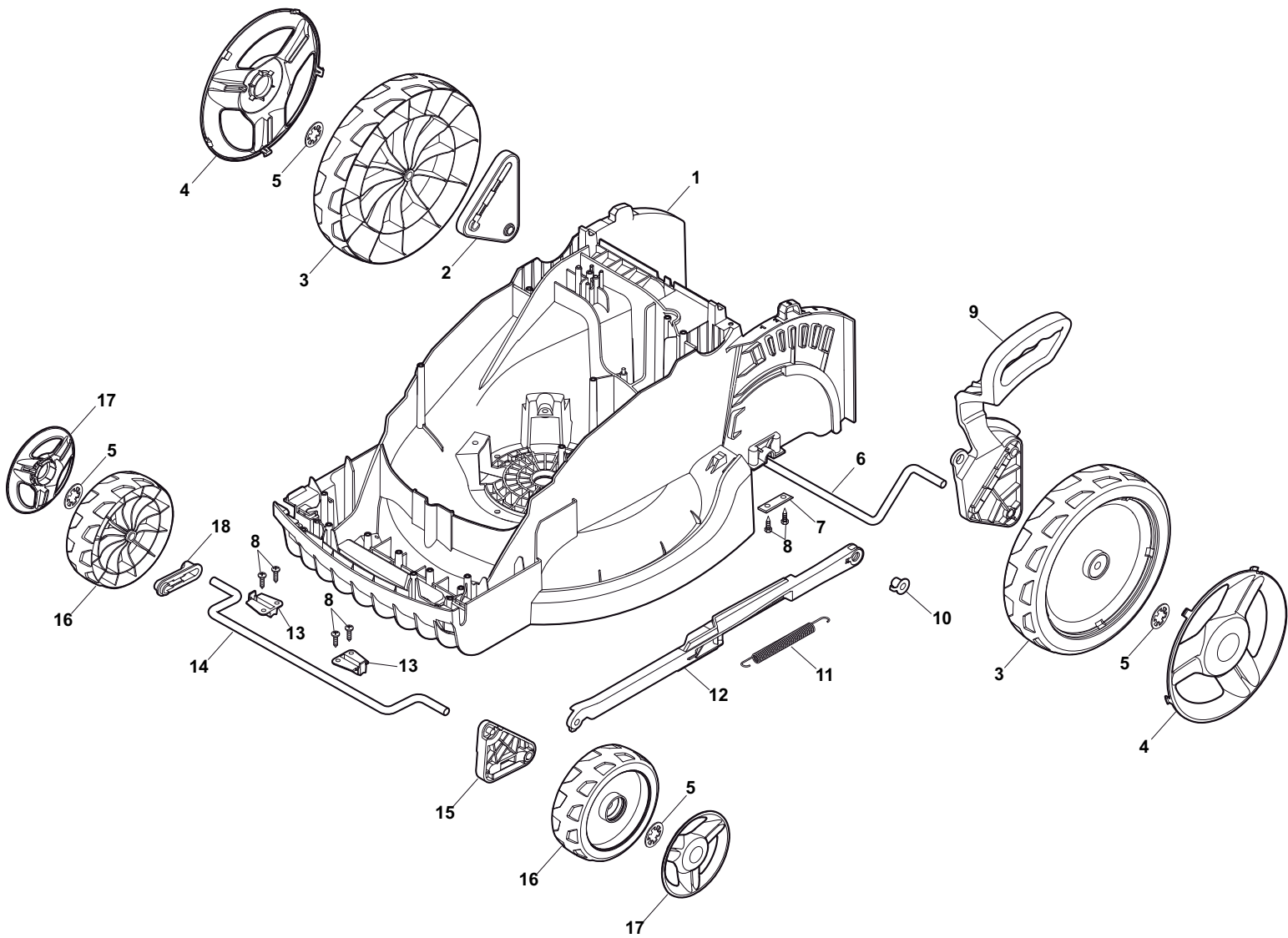
© Copyright 2012 Global Garden Products

All content is subject to copyright by Global Garden Products and may not be reproduced in whole or in part by any means, electronic or otherwise, without prior written approval.

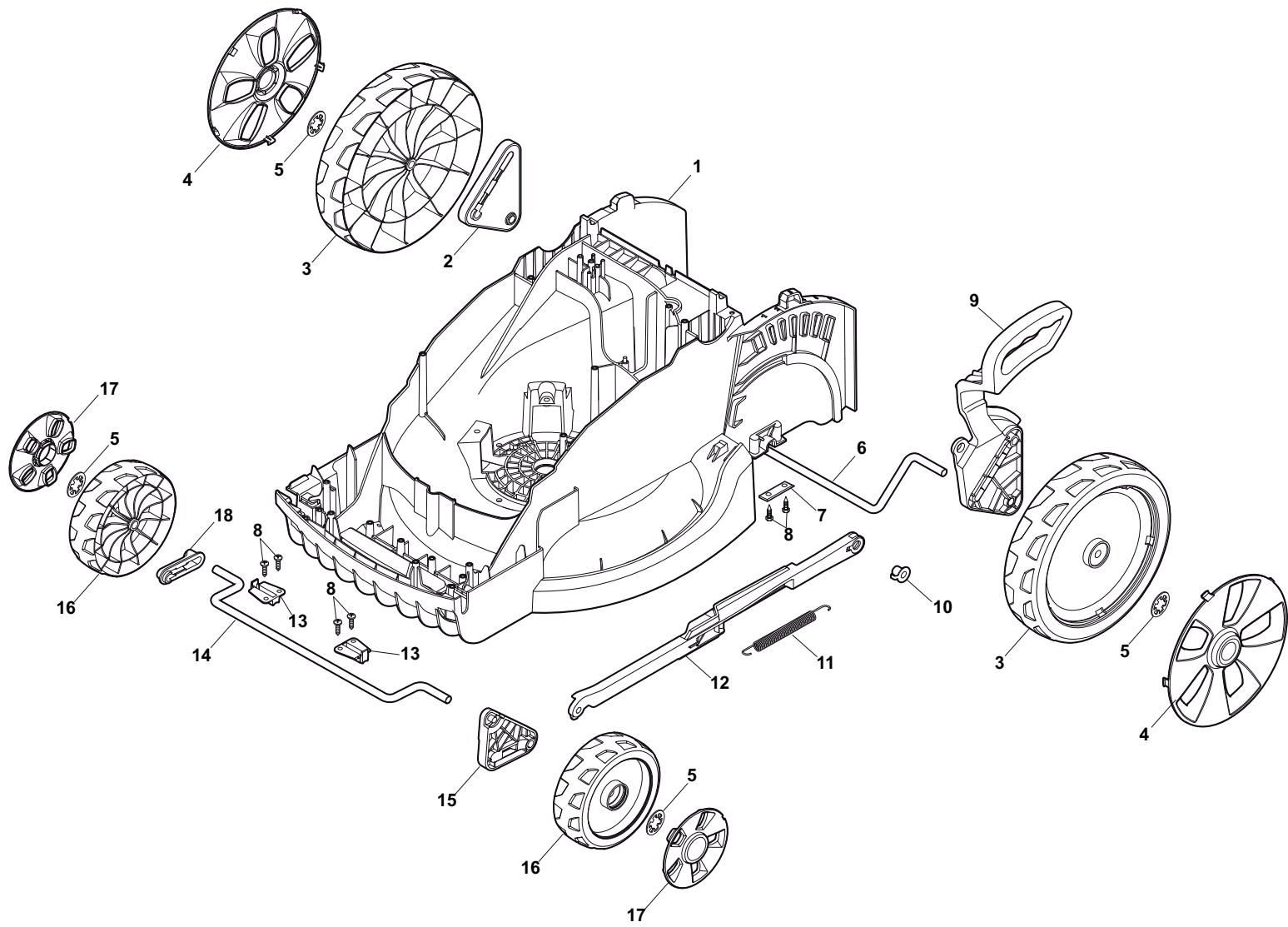
THIS INFORMATION IS NOT INTENDED FOR SALE OR RESALE, AND THIS NOTICE MUST REMAIN ON ALL COPIES.



GLOBAL GARDEN PRODUCTS

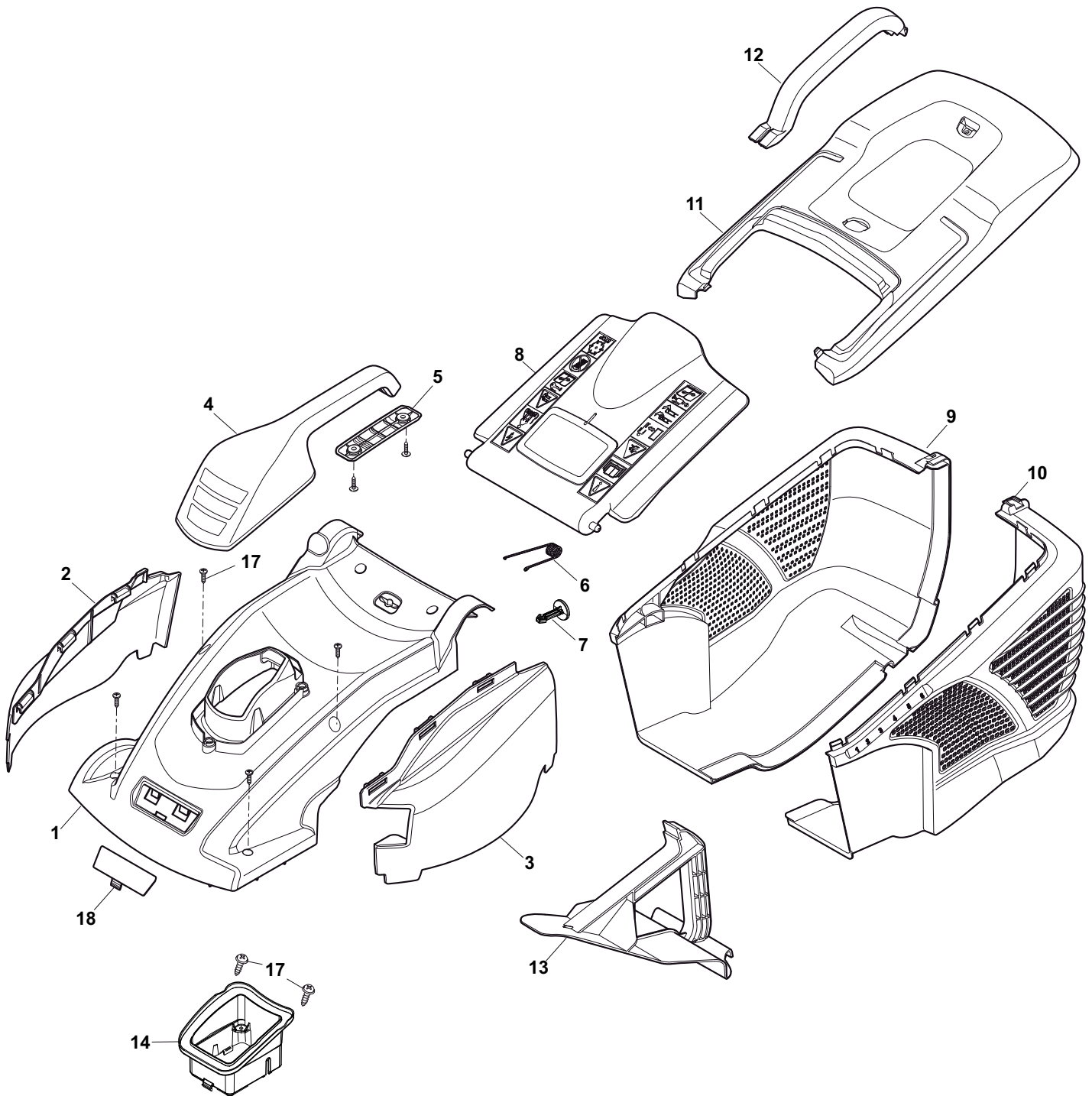


Pos.	Part No.	Q.ty	Description	Descrizione	Description	Beschreibung
1	322066760/0	1	Deck Grey	Chassis Grigio	Châssis Gris	Gehäuse Grau
2	322785387/0	1	Support, Wheels	Supporto Ruote	Support Roue	Halter, Rad
3	322686105/0	2	Wheel Ø 250	Ruota Ø 250	Roue Ø 250	Rad Ø 250
4	322110700/0	2	Hub Cap Yellow	Coprimezzo Giallo	Couvre-Moyeu Jaune	Radkappe Gelb
4	322110691/0	2	Hub Cap White	Coprimezzo Bianco	Couvre-Moyeu Blanche	Radkappe Vit
4	322110684/0	2	Hub Cap Grey	Coprimezzo Grigio	Couvre-Moyeu Gris	Radkappe Grau
5	112604903/0	1	Crown Fastener	Fissatore A Corona	Fixateur A Couronne	Kronescheibe
6	122033425/0	1	Axle, Rear Wheels	Asse Ruote Posteriore	Axe Roues Arriere	Achse, Hinterrad
7	322545142/0	2	Plate	Piastrina	Plaquette	Plättchen
8	112728714/0	8	Screw	Vite	Vis	Schraube
9	322785388/0	1	Lever, Height Adjustment	Leva Regolazione Altezza	Levier Reglage Hauteur	Hebel, Höneverstellung
10	322524354/0	1	Pin	Perno	Goupille	Stift
11	122446195/0	1	Spring	Molla	Ressort	Feder
12	322869680/0	1	Rod, Height Adjustment Grey	Asta Comando Regol. Altezza Grigio	Tige Commande Reglage Hauteur Gris	Stange, Höneverstellung Grau
12	322869685/0	1	Rod, Height Adjustment Black	Asta Comando Regol. Altezza Nero	Tige Commande Reglage Hauteur Noir	Stange, Höneverstellung Schwarz
13	322785415/0	2	Plate	Piastrina	Plaquette	Plättchen
14	122033424/0	1	Axle, Front Wheels	Asse Ruote Anteriore	Axe Roues Avant	Achse, Vorderrad
15	322785386/0	1	Support, Wheels Grey	Supporto Ruote Grigio	Support Roue Gris	Halter, Rad Grau
15	322785422/0	1	Support, Wheels Black	Supporto Ruote Nero	Support Roue Noir	Halter, Rad Schwarz
16	322686104/0	2	Wheel Ø 150	Ruota Ø 150	Roue Ø 150	Rad Ø 150
17	322110699/0	2	Hub Cap Yellow	Coprimezzo Giallo	Couvre-Moyeu Jaune	Radkappe Gelb
17	322110690/0	2	Hub Cap White	Coprimezzo Bianco	Couvre-Moyeu Blanche	Radkappe Vit
17	322110683/0	2	Hub Cap Grey	Coprimezzo Grigio	Couvre-Moyeu Gris	Radkappe Grau
18	322785385/0	1	Support, Wheels	Supporto Ruote	Support Roue	Halter, Rad



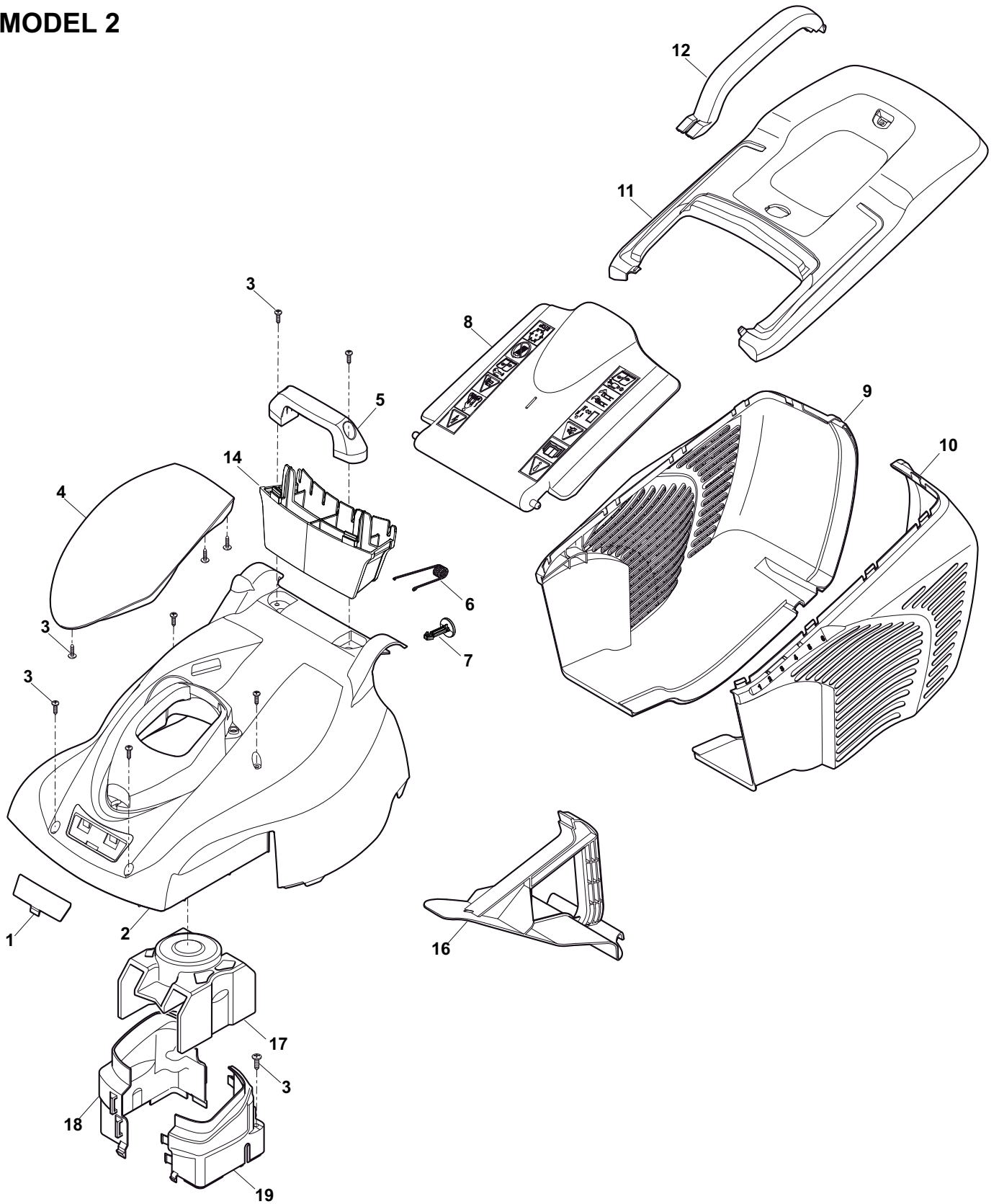
Pos.	Part No.	Q.ty	Description	Descrizione	Description	Beschreibung
1	322066760/0	1	Deck Grey	Chassis Grigio	Châssis Gris	Gehäuse Grau
2	322785387/0	1	Support, Wheels	Supporto Ruote	Support Roue	Halter, Rad
3	322686105/0	2	Wheel Ø 250	Ruota Ø 250	Roue Ø 250	Rad Ø 250
4	322110637/0	2	Hub Cap Grey	Coprizzo Grigio	Couvre-Moyeu Gris	Radkappe Grau
5	112604903/0	4	Crown Fastener	Fissatore A Corona	Fixateur A Couronne	Kronescheibe
6	122033425/0	1	Axle, Rear Wheels	Asse Ruote Posteriore	Axe Roues Arriere	Achse, Hinterrad
7	322545142/0	2	Plate	Piastrina	Plaquette	Plättchen
8	112728714/0	8	Screw	Vite	Vis	Schraube
9	322785388/0	1	Lever, Height Adjustment	Leva Regolazione Altezza	Levier Reglage Hauteur	Hebel, Höneverstellung
10	322524354/0	1	Pin	Perno	Goupille	Stift
11	122446195/0	1	Spring	Molla	Ressort	Feder
12	322869680/0	1	Rod, Height Adjustment Grey	Asta Comando Regol. Altezza Grigio	Tige Commande Reglage Hauteur Gris	Stange, Höneverstellung Grau
12	322869685/0	1	Rod, Height Adjustment Black	Asta Comando Regol. Altezza Nero	Tige Commande Reglage Hauteur Noir	Stange, Höneverstellung Schwarz
13	322785415/0	2	Plate	Piastrina	Plaquette	Plättchen
14	122033424/0	1	Axle, Front Wheels	Asse Ruote Anteriore	Axe Roues Avant	Achse, Vorderrad
15	322785386/0	1	Support, Wheels Grey	Supporto Ruote Grigio	Support Roue Gris	Halter, Rad Grau
15	322785422/0	1	Support, Wheels Black	Supporto Ruote Nero	Support Roue Noir	Halter, Rad Schwarz
16	322686104/0	2	Wheel Ø 150	Ruota Ø 150	Roue Ø 150	Rad Ø 150
17	322110685/0	2	Hub Cap Grey	Coprizzo Grigio	Couvre-Moyeu Gris	Radkappe Grau
18	322785385/0	1	Support, Wheels	Supporto Ruote	Support Roue	Halter, Rad

MODEL 1

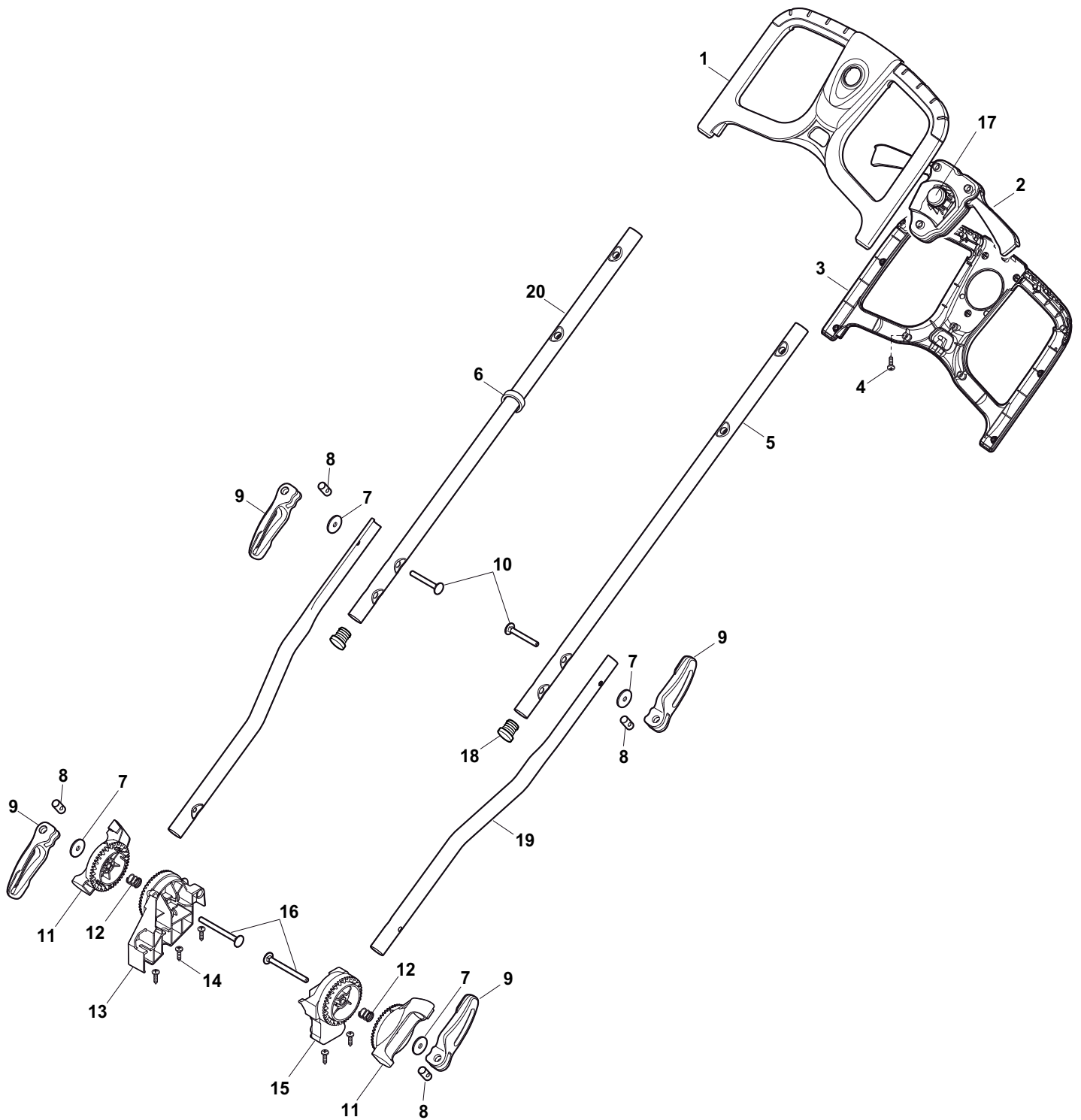


Pos.	Part No.	Q.ty	Description	Descrizione	Description	Beschreibung
1	322055158/0	1	Deck White	Chassis Bianco	Châssis Blanche	Gehäuse weibe
2	322109856/0	1	Right Side Cover	Copertura Laterare Destra	Couvre latéral Droit	Rechte Seitentür
3	322109854/0	1	Left Side Cover	Copertura Laterare Sinistra	Couvre latéral Gauche	Linke Seitentür
4	322393658/0	1	Cover	Capottina	Capot	Haube
5	322393659/0	1	Handle, Lower Part	Parte Inf Maniglia	Poignée, Partie Inferieure	Griff, Unterteil
6	122450470/0	1	Spring	Molla	Ressort	Feder
7	322524356/0	1	Pin	Perno	Goupille	Stift
8	322600242/0	1	Stone-Guard	Parasassi	Pare-Pierres	Prallblech
9	322486293/0	1	Grass-Box, R Lower	Sacco, Parte Inf Dx	Sac, Partie Inferieure D	Korb, R Unterteil
10	322486294/0	1	Grass-Box, L Lower	Sacco, Parte Inf Sx	Sac, Partie Inferieure G	Korb, L Unterteil
11	322486309/0	1	Grass-Box, Upper Red	Sacco, Parte Sup. Rosso	Sac, Partie Sup. Rouge	Korb, Oberteil Rot
11	322486308/0	1	Grass-Box, Upper White	Sacco, Parte Sup. Bianco	Sac, Partie Sup. Blanche	Korb, Oberteil Vit
11	322486323/0	1	Grass-Box, Upper Yellow	Sacco, Parte Sup. Giallo	Sac, Partie Sup. Jaune	Korb, Oberteil Gelb
11	322486329/0	1	Grass-Box, Upper Grey	Sacco, Parte Sup. Grigio	Sac, Partie Sup. Gris	Korb, Oberteil Grau
12	322393656/0	1	Handle	Maniglia	Poignée	Griff
13	322140242/0	1	Mulching Plug	Tappo Mulching	Bouchon Mulching	Gummistopfen Mulching
14	322393672/0	1	Engine Protection	Protezione Motore	Protection du moteur	Motorschutz
17	112728714/0	12	Screw	Vite	Vis	Schraube
18	322055168/0	1	Frontal Plate	Piastra Frontale	Avant Plaquette	Front Plättchen

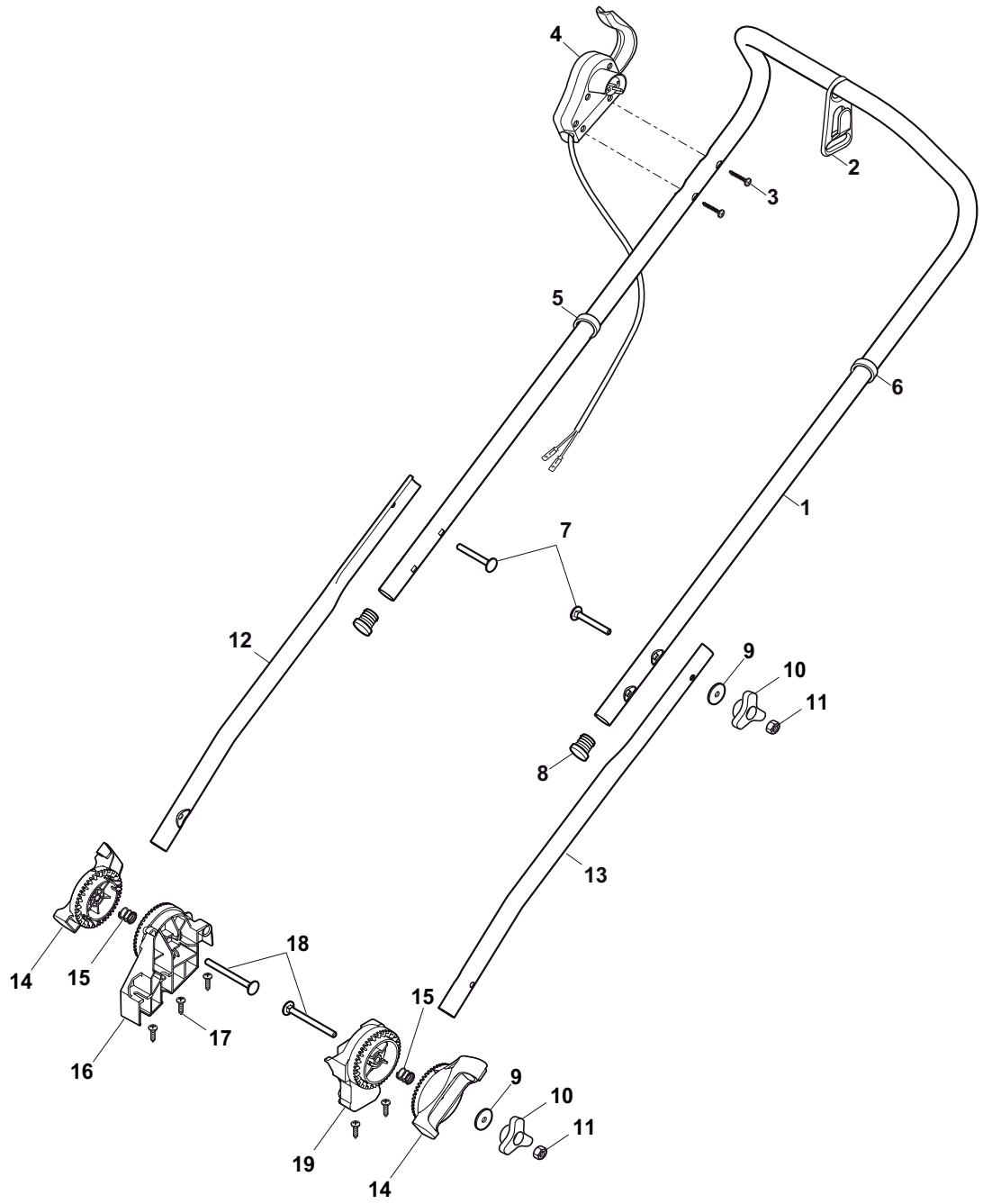
MODEL 2



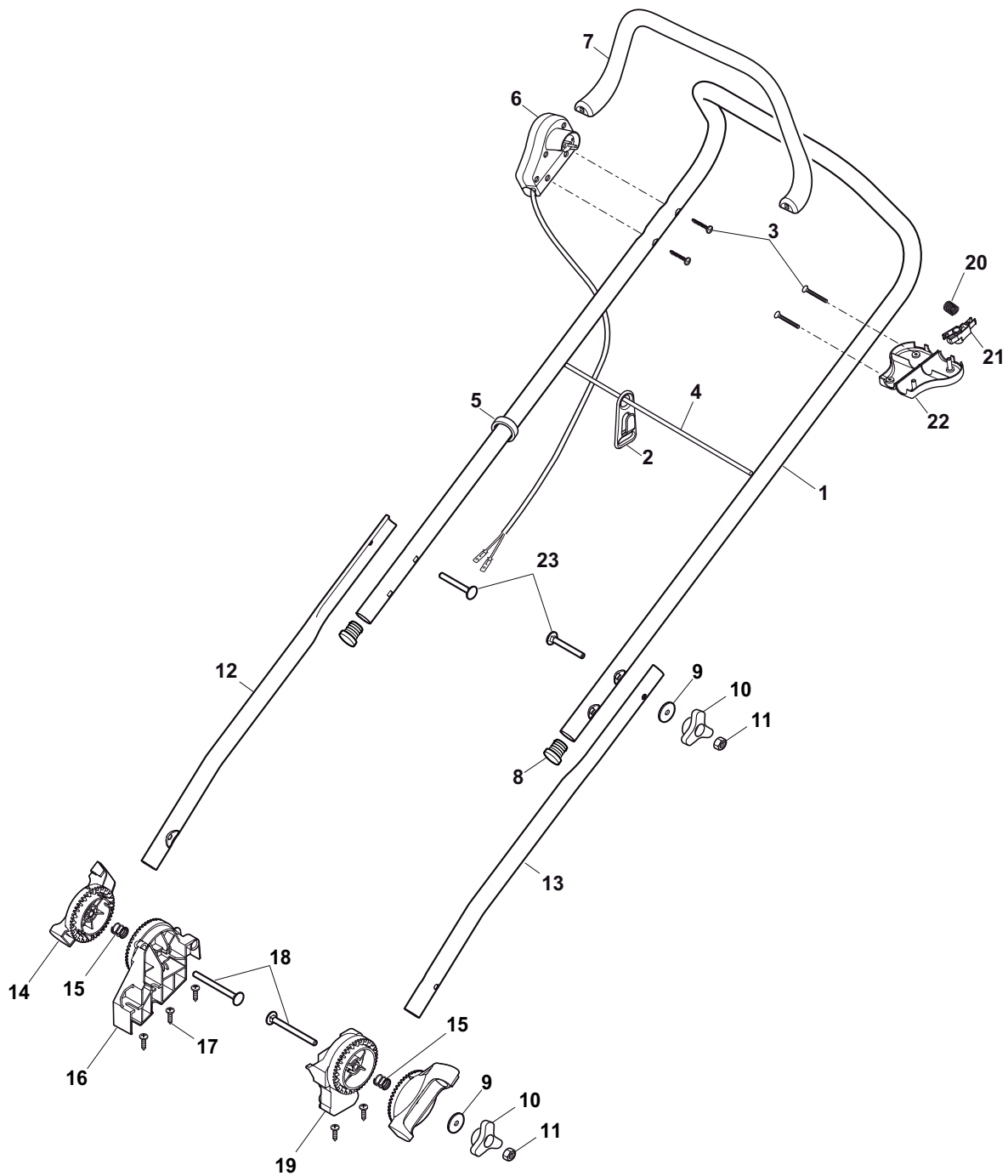
Pos.	Part No.	Q.ty	Description	Descrizione	Description	Beschreibung
1	322055168/0	1	Frontal Plate	Piastra Frontale	Avant Plaquette	Front Plättchen
2	322055161/0	1	Deck Red	Chassis Rosso	Châssis Rouge	Gehäuse Rot
3	112728714/0	12	Screw	Vite	Vis	Schraube
4	322393661/0	1	Cover	Capottina	Capot	Haube
5	322393668/0	1	Handle	Maniglia	Poignée	Griff
6	122450470/0	1	Spring	Molla	Ressort	Feder
7	322524356/0	1	Pin	Perno	Goupille	Stift
8	322600235/0	1	Stone-Guard	Parasassi	Pare-Pierres	Prallblech
9	322486299/0	1	Grass-Box, R Lower	Sacco, Parte Inf Dx	Sac, Partie Inferieure D	Korb, R Unterteil
10	322486300/0	1	Grass-Box, L Lower	Sacco, Parte Inf Sx	Sac, Partie Inferieure G	Korb, L Unterteil
11	322486309/0	1	Grass-Box, Upper Red	Sacco, Parte Sup. Rosso	Sac, Partie Sup. Rouge	Korb, Oberteil Rot
11	322486308/0	1	Grass-Box, Upper White	Sacco, Parte Sup. Bianco	Sac, Partie Sup. Blanche	Korb, Oberteil Vit
11	322486323/0	1	Grass-Box, Upper Yellow	Sacco, Parte Sup. Giallo	Sac, Partie Sup. Jaune	Korb, Oberteil Gelb
11	322486329/0	1	Grass-Box, Upper Grey	Sacco, Parte Sup. Grigio	Sac, Partie Sup. Gris	Korb, Oberteil Grau
12	322393656/0	1	Handle	Maniglia	Poignée	Griff
14	322393677/0	1	Handle Protection	Protezione Maniglia	Protection du Poignée	Griffschutz
16	322140242/0	1	Mulching Plug	Tappo Mulching	Bouchon Mulching	Gummistopfen Mulching
17	322393676/0	1	Engine Protection	Protezione Motore	Protection du moteur	Motorschutz
18	322393670/0	1	Right Engine Cover	Copertura Motore Destra	Couverture du moteur, D	Recht Motorabdeckung
19	322393671/0	1	Left Engine Cover	Copertura Motore Sinistra	Couverture du moteur, G	Linke Motorabdeckung



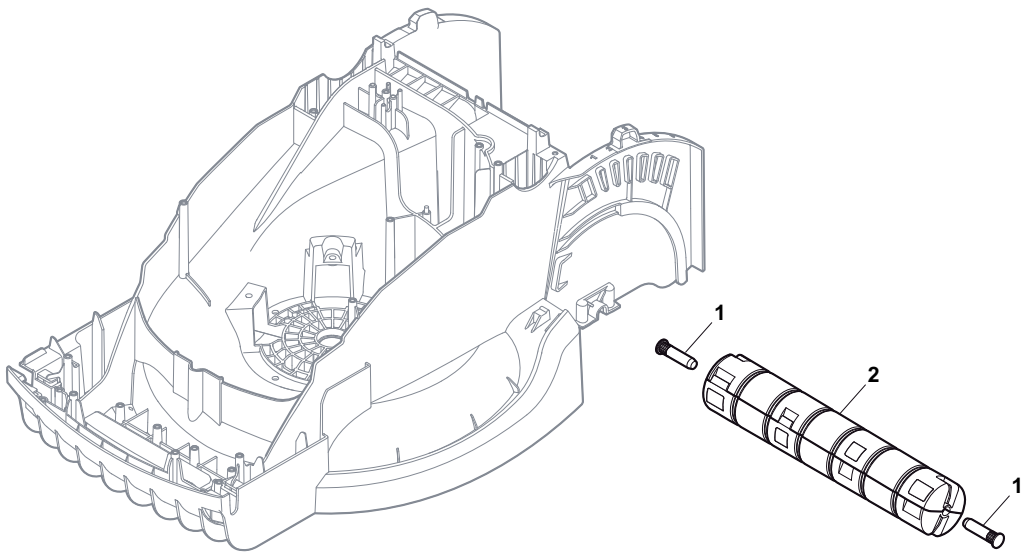
Pos.	Part No.	Q.ty	Description	Descrizione	Description	Beschreibung
1	322291032/0	1	Upper Half Handgrip Switch	Semiinpugnatura Sup. Salvamotore	Poignée Demi Sup. Int. Main Morte	Oberteil Hälfte Tot Manschalter
2	381600521/0	1	Dead Hand Switch (CE)	Salvamotore (CE)	Int. Main Morte (CE)	Tot Manschalter (CE)
2	381600522/0	1	Dead Hand Switch (SEV)	Salvamotore (SEV)	Int. Main Morte (SEV)	Tot Manschalter (SEV)
2	381600523/0	1	Dead Hand Switch (UK Yellow)	Salvamotore (UK Yellow)	Int. Main Morte (UK Yellow)	Tot Manschalter (UK Yellow)
2	381600524/0	1	Dead Hand Switch (Battery, Yellow)	Salvamotore (Battery, Yellow)	Int. Main Morte (Battery, Yellow)	Tot Manschalter (Battery, Yellow)
2	381600527/0	1	Dead Hand Switch (UK Red)	Salvamotore (UK Red)	Int. Main Morte (UK Red)	Tot Manschalter(UK Red)
2	381600528/0	1	Dead Hand Switch (Battery, Red)	Salvamotore (Battery, Red)	Int. Main Morte (Battery, Red)	Tot Manschalter (Battery, Red)
3	322291033/0	1	Lower Half Handgrip Switch	Semiinpugnatura Inf. Salvamotore	Poignée Demi Inferiure Int. Main Morte	Untere Hälfte Tot Manschalter
4	112728713/0	11	Screw	Vite	Vis	Schraube
5	381007515/0	1	Handle, Lower Part Left	Manico, Parte Inf Sx	Mancheron, Partie Inf. G	Holm, Unterteil
6	122192000/1	1	Clamp	Fascetta	Collier	Bowdenzughalter
7	112523050/0	4	Washer	Rosetta	Rondelle	Scheibe
8	122524352/0	4	Pin	Perno	Goupille	Stift
9	322319519/0	4	Fixing Lever Handle Yellow	Leva Fix Manico Giallo	Fixation de la poignée de levier Jaune	Fixing Hebelgriff Gelb
9	322319520/0	4	Fixing Lever Handle Grey	Leva Fix Manico Grigio	Fixation de la poignée de levier Gris	Fixing Hebelgriff Grau
10	122943016/0	2	Screw	Vite	Vis	Schraube
11	322246100/0	2	Handle Joint Grey	Giunto Manico Grigio	Mancheron Jointe Gris	Gelenk Grau
12	122430210/0	2	Spring	Molla	Ressort	Feder
13	322745052/0	2	Right Joint	Giunto Destro	Jointe Droite	Gelenk Rechte
14	112728714/0	5	Screw	Vite	Vis	Schraube
15	322745051/0	1	Left Joint	Giunto Sinistro	Jointe Gauche	Gelenk Linke
16	122943017/0	2	Screw	Vite	Vis	Schraube
17	118450077/0	1	Switch	Interuttore	Interrupteur	Schalter
18	118566112/0	2	Cap	Puntale	Bouchon	Gummistopfen
19	381007513/0	2	Handle, Lower Part	Manico, Parte Inf	Mancheron, Partie Inf.	Holm, Unterteil
20	381007514/0	1	Handle, Upper Part Right	Manico, Parte Inf Dx	Mancheron, Partie Inf. D	Holm, Unterteil



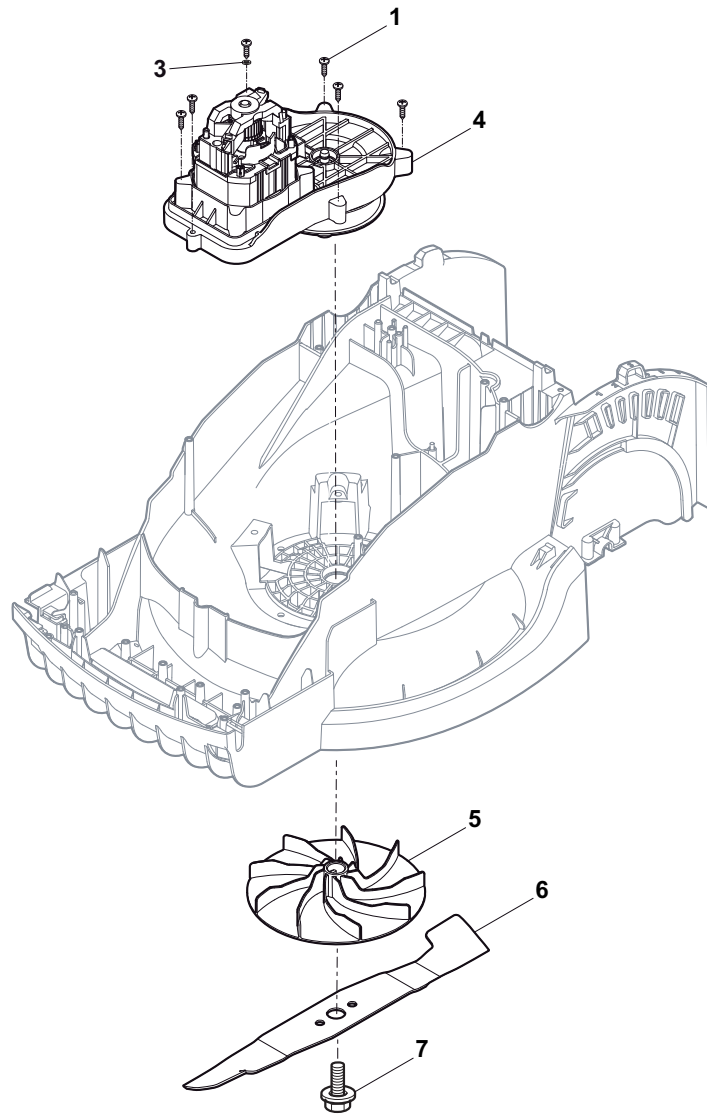
Pos.	Part No.	Q.ty	Description	Descrizione	Description	Beschreibung
1	381007516/0	1	Handle, Upper Part	Manico, Parte Sup	Mancheron, Partie Superieur	Holm, Oberteil
2	322195101/4	1	Fairlead	Fermacavo	Fixation Cable	Kabelbefestigung
3	112728701/0	2	Screw	Vite	Vis	Schraube
4	381600500/2	1	Dead Hand Switch (CE)	Salvatore (CE)	Int. Main Morte (CE)	Tot Manschalter (CE)
4	381600501/2	1	Dead Hand Switch (UK)	Salvatore (UK)	Int. Main Morte (UK)	Tot Manschalter (UK)
4	381600502/2	1	Dead Hand Switch (CH)	Salvatore (CH)	Int. Main Morte (CH)	Tot Manschalter (CH)
5	122192000/1	1	Fairlead	Fermacavo	Fixation Cable	Kabelbefestigung
6	22192151/0	1	Fairlead	Fermacavo	Fixation Cable	Kabelbefestigung
7	122943016/0	2	Screw	Vite	Vis	Schraube
8	118566112/0	2	Cap	Puntale	Bouchon	Gummistopfen
9	112523050/0	4	Washer	Rosetta	Rondelle	Scheibe
10	122399900/0	4	Black Knob	Manopolina Nera	Poignée Noir	Griff Svart
11	112154521/0	4	Nut	Dado	Ecrou	Mutter
12	381007517/0	1	Right Handle, Lower Part	Manico, Parte Inf Dx	Mancheron, Partie Inf D	Holm, Rechte Unterteil
13	381007518/0	1	Left Handle, Lower Part	Manico, Parte Inf Sx	Mancheron, Partie Inf G	Holm, Linke Unterteil
14	322246100/0	2	Handle Joint Grey	Giunto Manico Grigio	Mancheron Jointe Gris	Gelenk Grau
15	122430210/0	2	Spring	Molla	Ressort	Feder
16	322745052/0	2	Right Joint	Giunto Destro	Jointe Droite	Gelenk Rechte
17	112728714/0	5	Screw	Vite	Vis	Schraube
18	122943017/0	2	Screw	Vite	Vis	Schraube
19	322745051/0	1	Left Joint	Giunto Sinistro	Jointe Gauche	Gelenk Linke



Pos.	Part No.	Q.ty	Description	Descrizione	Description	Beschreibung
1	381007516/0	1	Handle, Upper Part	Manico, Parte Sup	Mancheron, Partie Sup	Holm, Oberteil
2	322195101/4	1	Fairlead	Fermacavo	Fixation Cable	Kabelbefestigung
3	112728701/0	4	Screw	Vite	Vis	Schraube
4	22010250/0	1	Rod, Fairlead Bearing	Asta Aggancio Fermacavo	Tige Support Serrecable	Stift
5	122192000/1	1	Fairlead	Fermacavo	Fixation Cable	Kabelbefestigung
6	381600503/4	1	Dead Hand Switch (CE)	Salvatore (CE)	Int. Main Morte (CE)	Tot Manschalter (CE)
6	381600504/4	1	Dead Hand Switch (UK)	Salvatore (UK)	Int. Main Morte (UK)	Tot Manschalter (UK)
6	381600505/3	1	Dead Hand Switch (CH)	Salvatore (CH)	Int. Main Morte (CH)	Tot Manschalter (CH)
7	322322880/1	1	Handgrip Black	Impugnatura Manico Nera	Poignée Noire	Handgriff Schwarz
7	322322882/1	1	Handgrip Red	Impugnatura Manico Rossa	Poignée Rouge	Handgriff Rot
7	322322883/1	1	Handgrip Yellow	Impugnatura Manico Gialla	Poignée Jaune	Handgriff Gelb
8	118566112/0	2	Cap	Puntale	Bouchon	Gummistopfen
9	112523050/0	4	Washer	Rosetta	Rondelle	Scheibe
10	122399900/0	4	Black Knob	Manopolina Nera	Poignée Noir	Griff Svart
11	112154521/0	4	Nut	Dado	Ecrou	Mutter
12	381007517/0	1	Right Handle, Lower Part	Manico, Parte Inf Dx	Mancheron, Partie Inf D	Holm, Rechte Unterteil
13	381007518/0	1	Left Handle, Lower Part	Manico, Parte Inf Sx	Mancheron, Partie Inf G	Holm, Linke Unterteil
14	322246100/0	2	Handle Joint Grey	Giunto Manico Grigio	Mancheron Jointe Gris	Gelenk Grau
15	122430210/0	2	Spring	Molla	Ressort	Feder
16	322745052/0	2	Right Joint	Giunto Destro	Jointe Droite	Gelenk Rechte
17	112728714/0	5	Screw	Vite	Vis	Schraube
18	122943017/0	2	Screw	Vite	Vis	Schraube
19	322745051/0	1	Left Joint	Giunto Sinistro	Jointe Gauche	Gelenk Linke
20	22450115/0	1	Spring	Molla	Ressort	Feder
21	322230350/1	1	Fulcrum Pin	Fulcro	Point D'Appui	Gelenkpunkt
22	322785144/1	1	Support	Supporto	Support	Halter
23	122943016/0	2	Screw	Vite	Vis	Schraube



Pos.	Part No.	Q.ty	Description	Descrizione	Description	Beschreibung
1	122519824/0	2	Screw	Vite	Vis	Schraube
2	322670014/0	2	Roller	Roller	Roller	Roller



Pos.	Part No.	Q.ty	Description	Descrizione	Description	Beschreibung
1	112728714/0	5	Screw	Vite	Vis	Schraube
3	112523020/0	1	Washer	Rosetta	Rondelle	Scheibe
4	118563696/0	1	Motor 1600W	Motore 1600W	Moteur 1600W	Motor 1600W
4	118563697/0	1	Motor 1800W	Motore 1800W	Moteur 1800W	Motor 1800W
5	322465644/0	1	Hub Fan	Mozzo Girante	Moyeu Ventilateur	Läufendenabe
5	322465602/1	1	Hub Fan (for Model 1)	Mozzo Girante (for Model 1)	Moyeu Ventilateur (for Model 1)	Läufendenabe (for Model 1)
6	181004154/0	1	Blade	Coltello	Lame	Messer
7	381004352/1	1	Screw	Vite	Vis	Schraube