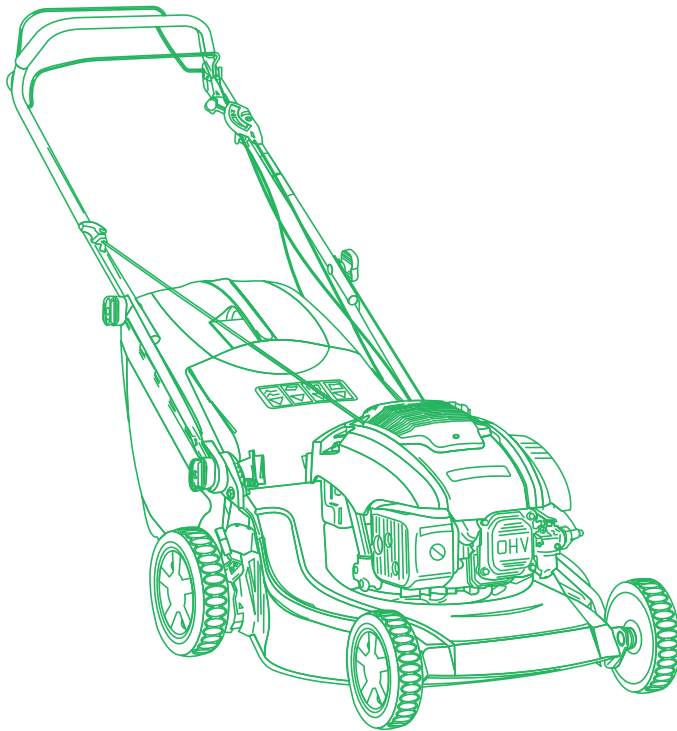


ILLUSTRATED PARTS LIST

CS 434
CR 434



- Use GLOBAL GARDEN PRODUCT Genuine Spare Parts specified in the parts list for repair and/or replacement.
- The contents described in the parts list may change due to improvement.
- The drawings of the spare parts are only indicative and might not represent the part in question exactly.
- The indications "right" - "left" - "front" - "rear" refer to the position of the operator when using the machine.
- When placing orders of parts for repair and/or replacement, make sure that the illustrated parts list is the one applying to the machine's year of manufacture, as shown on the identification plate attached to the machine.

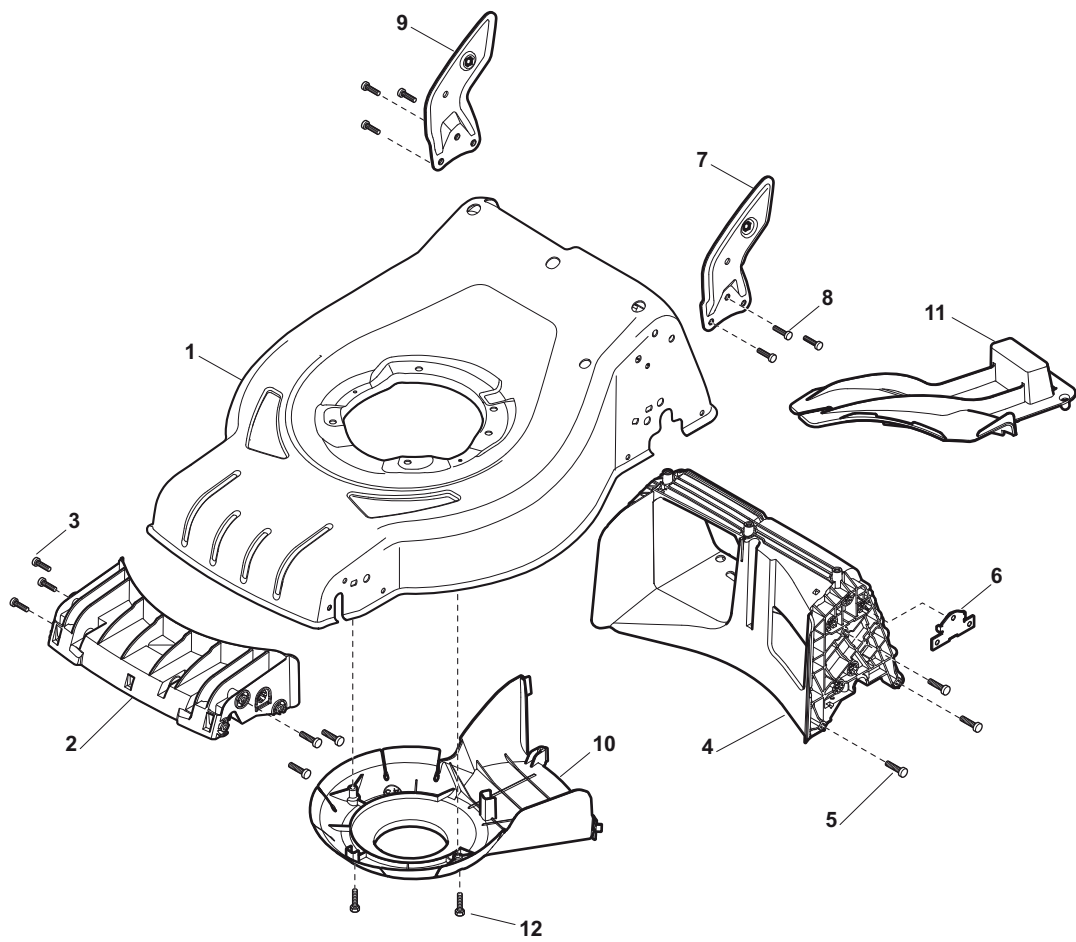
© Copyright 2012 Global Garden Products

All content is subject to copyright by Global Garden Products and may not be reproduced in whole or in part by any means, electronic or otherwise, without prior written approval.

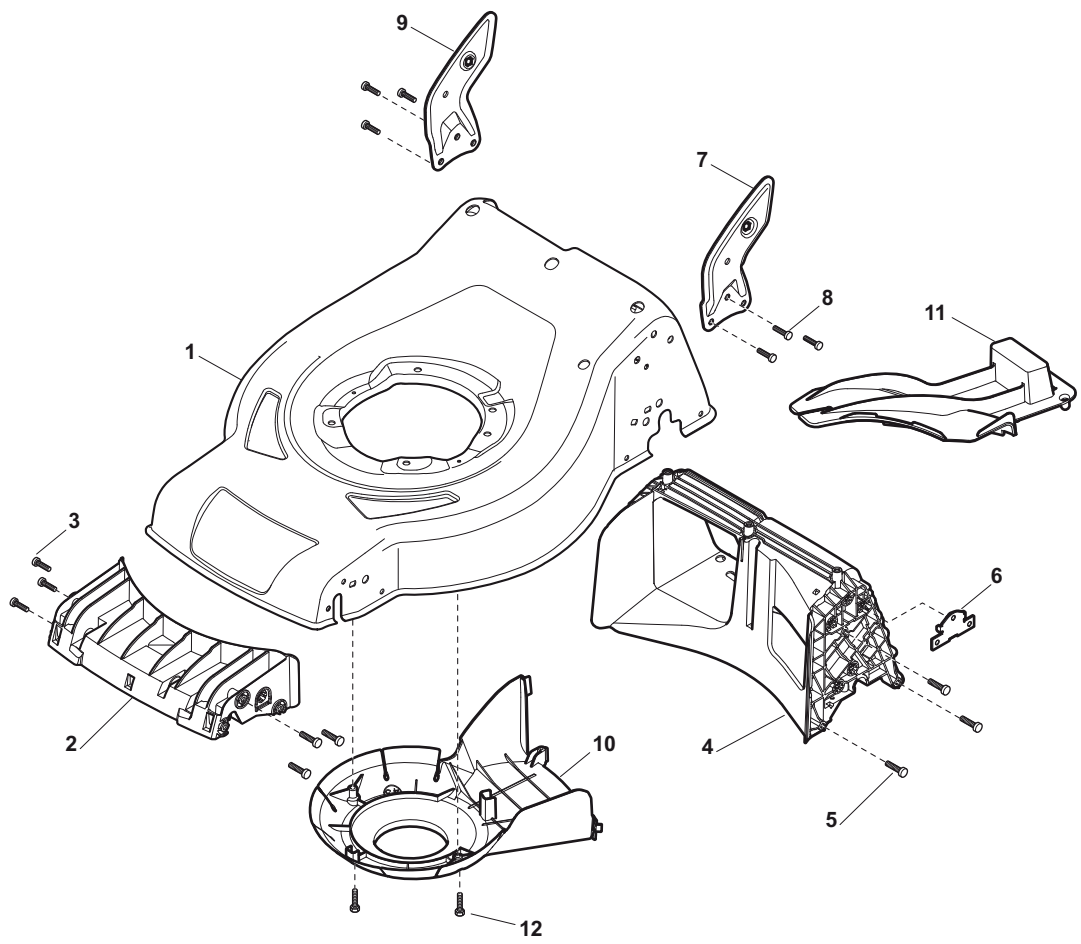
THIS INFORMATION IS NOT INTENDED FOR SALE OR RESALE, AND THIS NOTICE MUST REMAIN ON ALL COPIES.



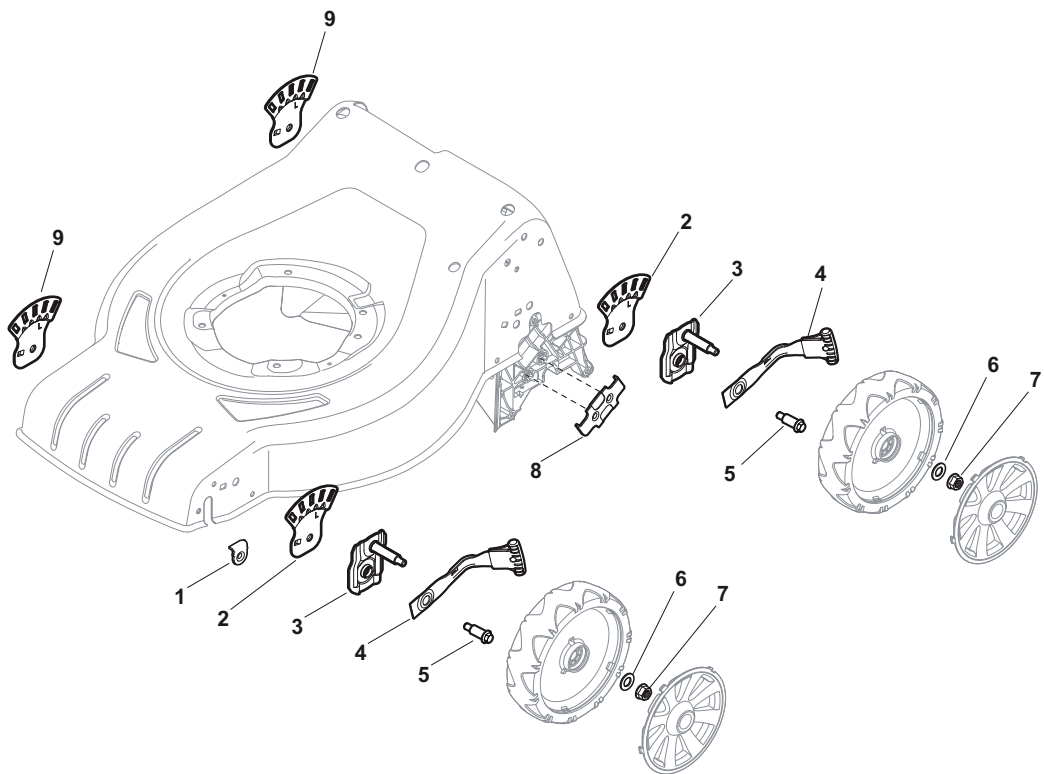
GLOBAL GARDEN PRODUCTS



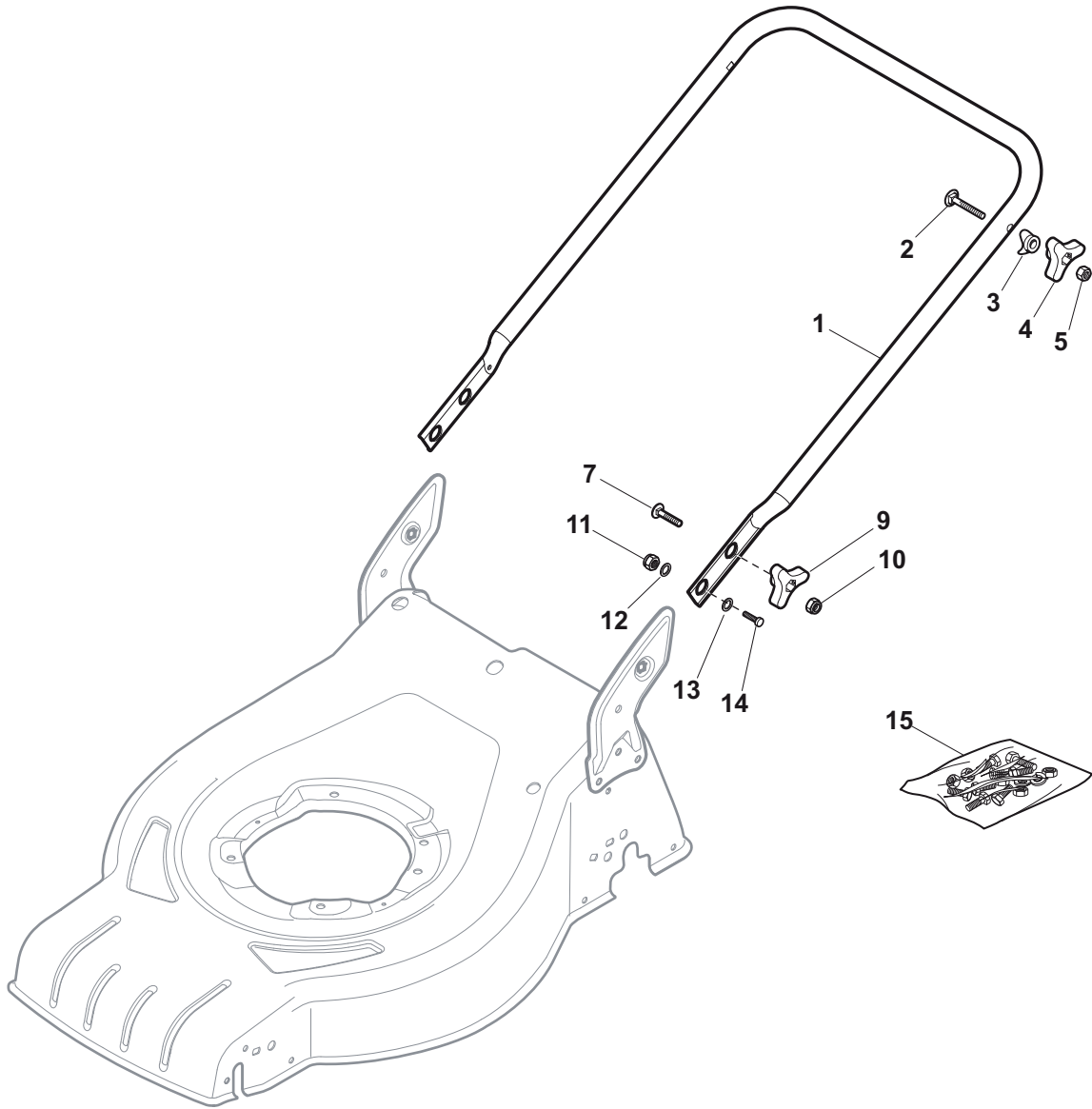
| POS | PART. NO | Q.ty | DESCRIPTION | DESCRIZIONE | DESCRIPTION | BESCHREIBUNG | REMARKS |
|-----|-------------|------|---------------------|---------------------|----------------------|-----------------------|---------|
| 1 | 381004017/0 | 1 | Deck Red | Chassis Rosso | Châssis Rouge | Gehäuse Rot | |
| 2 | 322108300/0 | 1 | Front Conveyor Assy | Convogl. Anteriore | Ens. Convoyeur Avant | Hinterleitblechvorder | |
| 3 | 112728699/0 | 6 | Screw | Vite | Vis | Schraube | |
| 4 | 322108302/0 | 1 | Rear Conveyor Assy | Convogl. Posteriore | Ens. Convoyeur Post. | Hinterleitblechsatz | |
| 5 | 112728699/0 | 6 | Screw | Vite | Vis | Schraube | |
| 6 | 322545213/0 | 2 | Plate | Piastrina | Plaquette | Platte | |
| 7 | 381005139/0 | 1 | Bracket, L | Staffa Sx | Bride G | Pratze, Linke | |
| 8 | 112727801/0 | 6 | Screw | Vite | Vis | Schraube | |
| 9 | 381005137/0 | 1 | Bracket, R | Staffa Dx | Bride D | Pratze, Rechte | |
| 10 | 322060241/0 | 1 | Protection, Belt | Carter Cinghia | Protection Courroire | Schutz, Riemen | |
| 11 | 322140240/0 | 1 | Deflector | Deflettore | Deflecteur | Deflektor | |
| 12 | 12728530/0 | 2 | Screw | Vite | Vis | Schraube | |



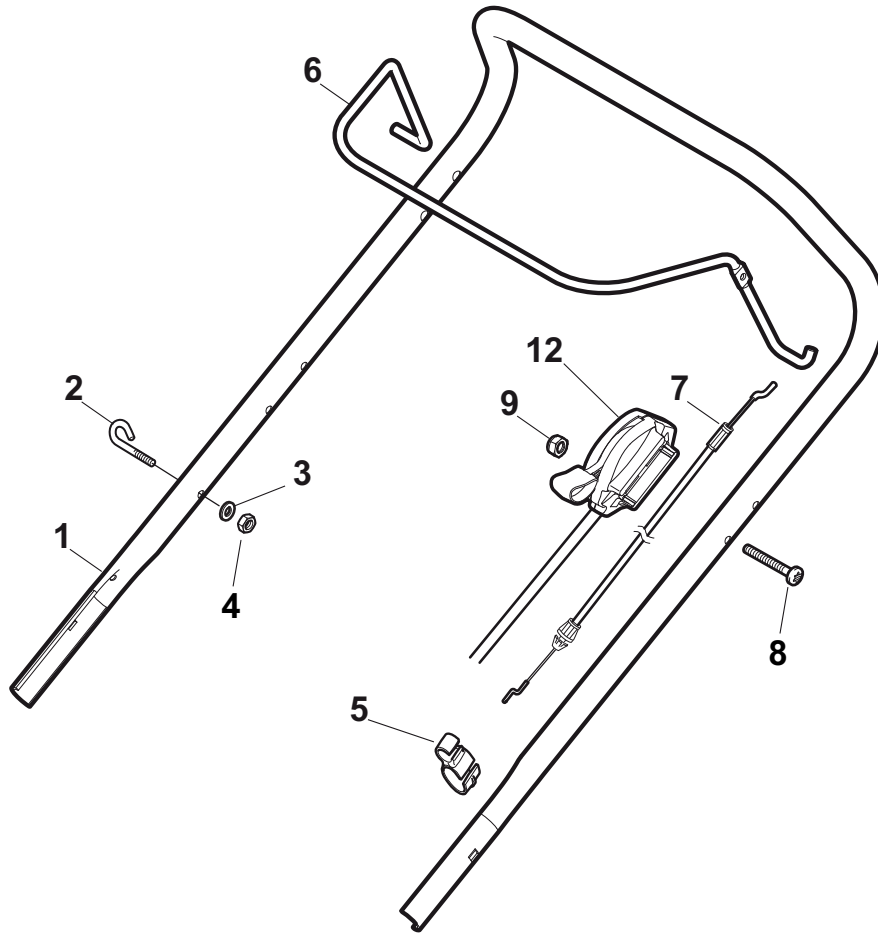
| POS | PART. NO | Q.ty | DESCRIPTION | DESCRIZIONE | DESCRIPTION | BESCHREIBUNG | REMARKS |
|-----|-------------|------|---------------------|---------------------|----------------------|-----------------------|---------|
| 1 | 381004019/0 | 1 | Deck Red | Chassis Rosso | Châssis Rouge | Gehäuse Rot | |
| 2 | 322108300/0 | 1 | Front Conveyor Assy | Convogl. Anteriore | Ens. Convoyeur Avant | Hinterleitblechvorder | |
| 3 | 112728699/0 | 6 | Screw | Vite | Vis | Schraube | |
| 4 | 322108302/0 | 1 | Rear Conveyor Assy | Convogl. Posteriore | Ens. Convoyeur Post. | Hinterleitblechsatz | |
| 5 | 112728699/0 | 6 | Screw | Vite | Vis | Schraube | |
| 6 | 322545213/0 | 2 | Plate | Piastrina | Plaquette | Platte | |
| 7 | 381005139/0 | 1 | Bracket, L | Staffa Sx | Bride G | Pratze, Linke | |
| 8 | 112727801/0 | 6 | Screw | Vite | Vis | Schraube | |
| 9 | 381005137/0 | 1 | Bracket, R | Staffa Dx | Bride D | Pratze, Rechte | |
| 10 | 322060241/0 | 1 | Protection, Belt | Carter Cinghia | Protection Courroire | Schutz, Riemen | |
| 11 | 322140240/0 | 1 | Deflector | Deflettore | Deflecteur | Deflektor | |
| 12 | 12728530/0 | 2 | Screw | Vite | Vis | Schraube | |



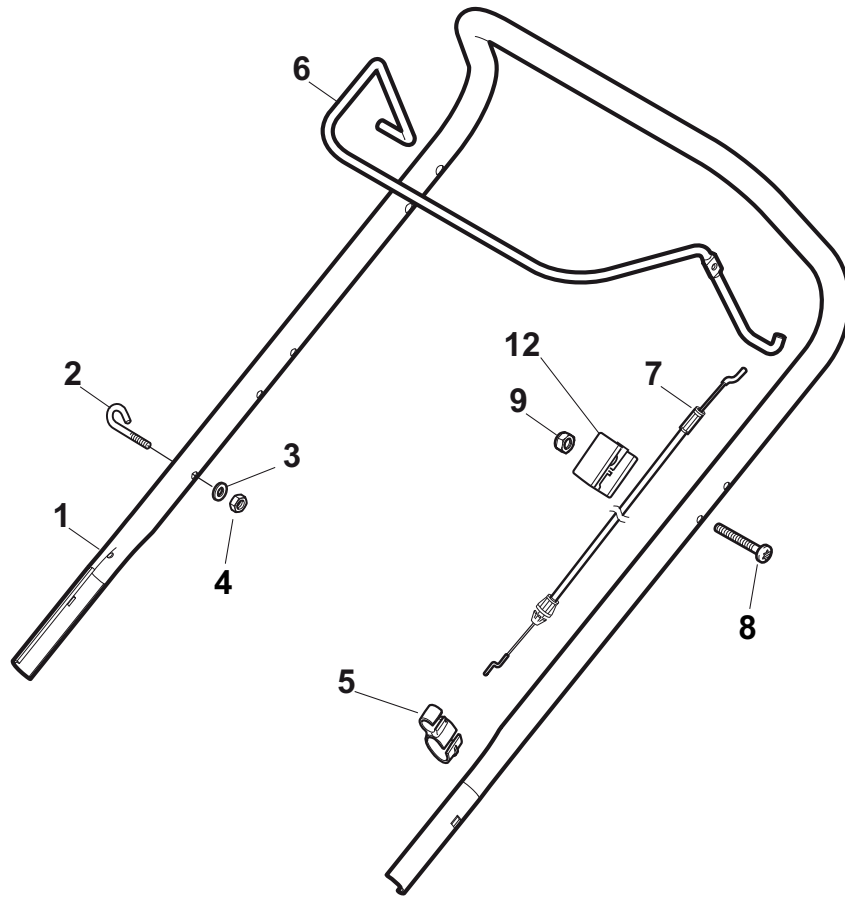
| POS | PART. NO | Q.ty | DESCRIPTION | DESCRIZIONE | DESCRIPTION | BESCHREIBUNG | REMARKS |
|-----|-------------|------|---------------------------|--------------------------|-------------------------|-------------------------|---------|
| 1 | 322545189/0 | 2 | Plate | Piastrina | Plaquette | Plättchen | |
| 2 | 322735597/1 | 2 | Sector, Height Adjustment | Settore Di Regolazione | Secteur Reglage | Sektor, Höheverstellung | |
| 3 | 381005141/0 | 4 | Support, Wheel | Supporto Ruota | Support Roue | Halter, Rad | |
| 4 | 381003354/0 | 4 | Lever, Height Adjustment | Leva Regolazione Altezza | Levier, Reglage Hauteur | Hebel, Höheverstellung | |
| 5 | 22519811/0 | 4 | Pin | Perno | Pivot | Bolzen | |
| 6 | 12521350/0 | 4 | Washer | Rosetta | Rondelle | Scheibe | |
| 7 | 12155000/0 | 4 | Nut | Dado | Ecrou | Mutter | |
| 8 | 322545211/0 | 2 | Plate | Piastrina | Plaquette | Plättchen | |
| 9 | 322735595/1 | 2 | Sector, Height Adjustment | Settore Di Regolazione | Secteur Reglage | Sektor, Höheverstellung | |



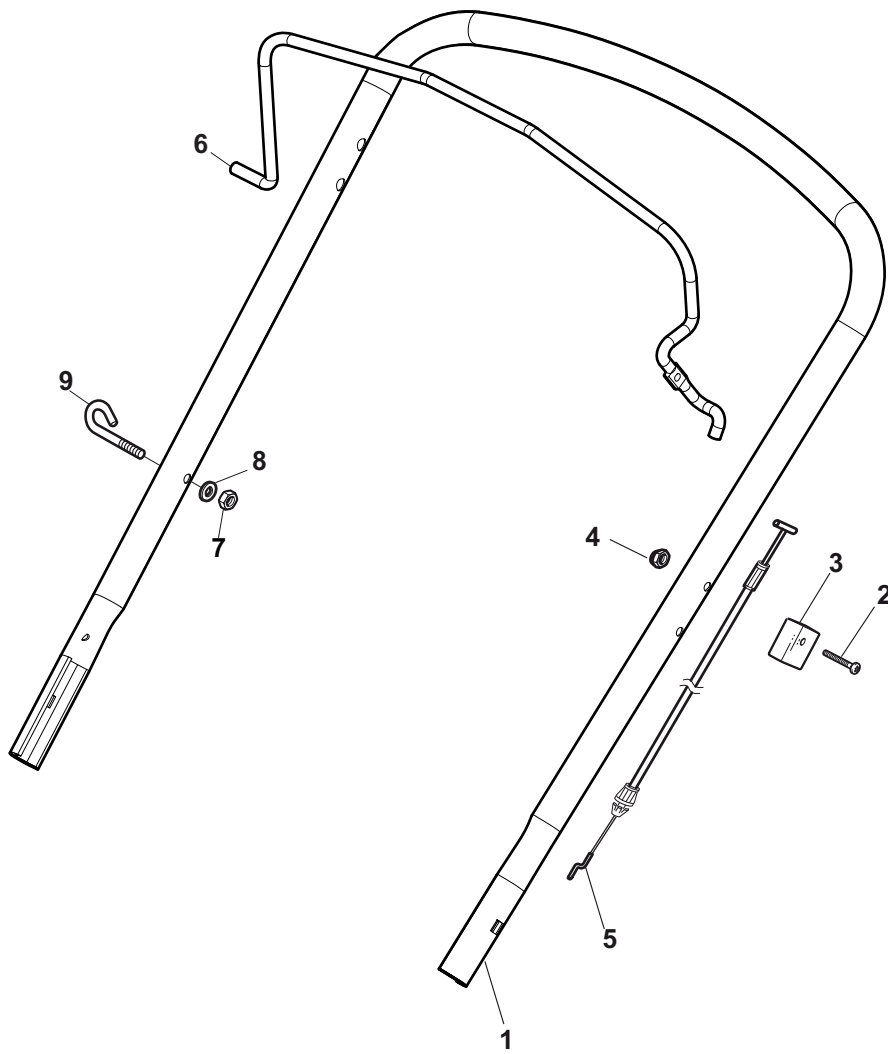
| POS | PART. NO | Q.ty | DESCRIPTION | DESCRIZIONE | DESCRIPTION | BESCHREIBUNG | REMARKS |
|-----|-------------|------|--------------------|-------------------|------------------------------|--------------------|---------|
| 1 | 381006737/0 | 1 | Handle, Lower Part | Manico, Parte Inf | Mancheron, Partie Inferieure | Holm, Unterteil | |
| 2 | 112819110/0 | 2 | Screw | Vite | Vis | Schraube | |
| 3 | 122671651/0 | 2 | Washer | Rosetta | Rondelle | Scheibe | |
| 4 | 22399900/0 | 2 | Knob | Manopolina | Poignée | Griff | Black |
| 4 | 322399840/0 | 2 | Knob | Manopolina | Poignée | Griff | Yellow |
| 4 | 322399846/0 | 2 | Knob | Manopolina | Poignée | Griff | Red |
| 5 | 12293200/0 | 2 | Nut | Dado | Ecrou | Mutter | |
| 7 | 12818900/0 | 2 | Screw | Vite | Vis | Schraube | |
| 9 | 22399900/0 | 2 | Knob | Manopolina | Poignée | Griff | Black |
| 9 | 322399840/0 | 2 | Knob | Manopolina | Poignée | Griff | Yellow |
| 9 | 322399846/0 | 2 | Knob | Manopolina | Poignée | Griff | Red |
| 10 | 12293200/0 | 2 | Nut | Dado | Ecrou | Mutter | |
| 11 | 12155000/0 | 2 | Nut | Dado | Ecrou | Mutter | |
| 12 | 12521350/0 | 2 | Washer | Rosetta | Rondelle | Scheibe | |
| 13 | 12369500/0 | 2 | Elastic Washer | Rosetta Elastica | Rondelle Elastique | Elastische Scheibe | |
| 14 | 12760605/0 | 2 | Screw | Vite | Vis | Schraube | |
| 15 | 381008691/0 | 1 | Outfit, Screws | Dotazione Viteria | Dotation Visserie | Satz, Schrauben | Black |
| 15 | 381008692/0 | 1 | Outfit, Screws | Dotazione Viteria | Dotation Visserie | Satz, Schrauben | Yellow |
| 15 | 381008695/0 | 1 | Outfit, Screws | Dotazione Viteria | Dotation Visserie | Satz, Schrauben | Red |



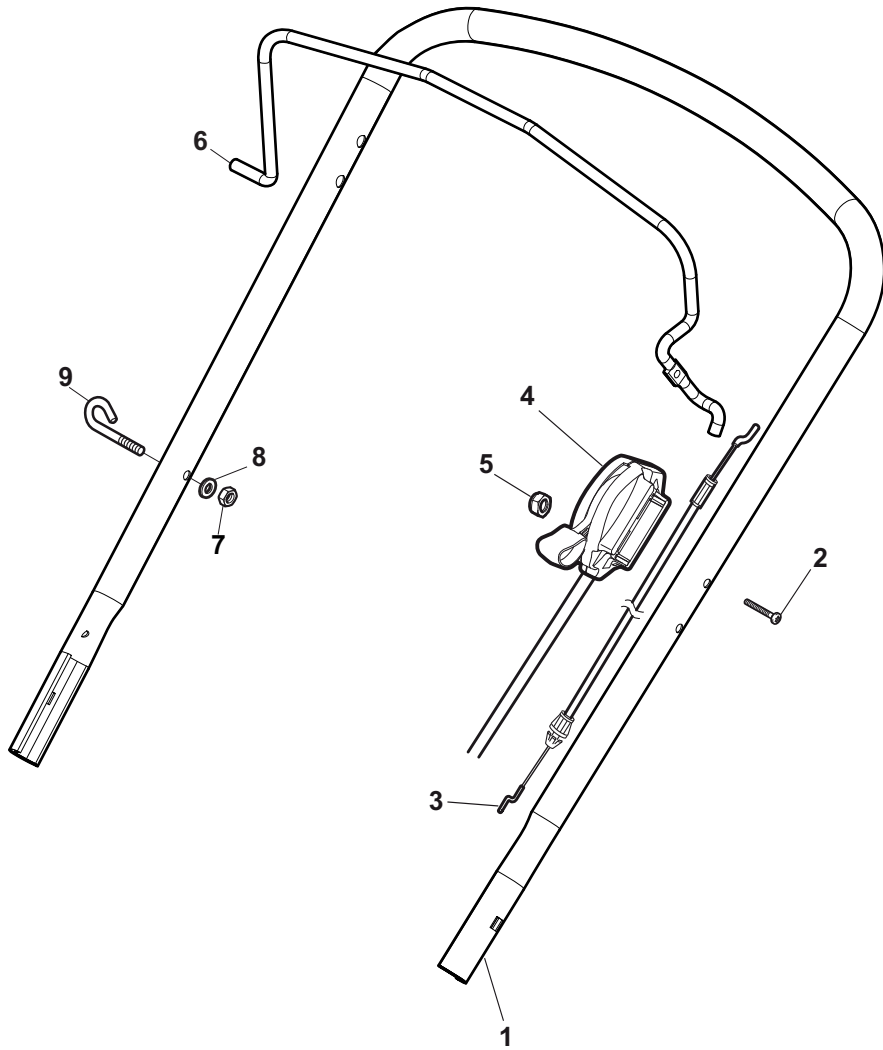
| POS | PART. NO | Q.ty | DESCRIPTION | DESCRIZIONE | DESCRIPTION | BESCHREIBUNG | REMARKS |
|-----|-------------|------|---|--|--|----------------------------------|----------------------|
| 1 | 381006739/0 | 1 | Handle, Upper Part | Manico, Parte Sup | Mancheron, Partie Superieure | Holm, Oberteil | |
| 1 | 381006745/0 | 1 | Handle, Upper Part with sponge handgrip | Manico, Parte Sup. con impugnatura in spugna | Mancheron, Partie Superieure avec éponge poignée | Holm, Oberteil Handgriff Schwamm | |
| 2 | 22430313/0 | 1 | Guide Spring | Molla Guida | Ressort De Guide | Feder Führer | |
| 3 | 12521330/0 | 1 | Washer | Rosetta | Rondelle | Scheibe | |
| 4 | 12154510/0 | 1 | Nut | Dado | Ecrou | Mutter | |
| 5 | 118390020/0 | 1 | Fairlead | Fermacavo | Fixation Cable | Kabelbefestigung | |
| 6 | 181003363/1 | 1 | Lever, Engine Brake Black | Leva Freno Motore Nero | Levier Frein Moteur Noire | Hebel, Motorbremse, Schwarz | |
| 6 | 381003365/0 | 1 | Lever, Engine Brake Yellow | Leva Freno Motore Giallo | Levier Frein Moteur Jaune | Hebel, Motorbremse, Gelb | |
| 6 | 381003376/0 | 1 | Lever, Engine Brake Red | Leva Freno Motore Rosso | Levier Frein Moteur Rouge | Hebel, Motorbremse, Rot | |
| 7 | 181030054/0 | 1 | Cable, Thread Engine Brake | Cavo Freno Motore | Cable Frein Moteur | Kabel, Motorbremse | GGP150cc |
| 7 | 181030056/0 | 1 | Cable, Thread Engine Brake | Cavo Freno Motore | Cable Frein Moteur | Kabel, Motorbremse | B&S-GGP-B&S E Series |
| 7 | 181030069/0 | 1 | Cable, Thread Engine Brake | Cavo Freno Motore | Cable Frein Moteur | Kabel, Motorbremse | Honda |
| 8 | 12727783/0 | 1 | Screw | Vite | Vis | Schraube | |
| 9 | 12154510/0 | 1 | Nut | Dado | Ecrou | Mutter | |
| 12 | 181005532/0 | 1 | Throttle Cable | Cavo Acceleratore | Cable, Accelérateur | Gashebel Kabel | GGP100cc |
| 12 | 181005533/0 | 1 | Throttle Cable | Cavo Acceleratore | Cable, Accelérateur | Gashebel Kabel | B&S E Series |
| 12 | 181005511/0 | 1 | Throttle Cable | Cavo Acceleratore | Cable, Accelérateur | Gashebel Kabel | B&S |
| 12 | 181005517/0 | 1 | Throttle Cable | Cavo Acceleratore | Cable, Accelérateur | Gashebel Kabel | GGP |
| 12 | 181005504/1 | 1 | Throttle Cable | Cavo Acceleratore | Cable, Accelérateur | Gashebel Kabel | GGP150cc |
| 12 | 181005517/0 | 1 | Throttle Cable | Cavo Acceleratore | Cable, Accelérateur | Gashebel Kabel | Honda |



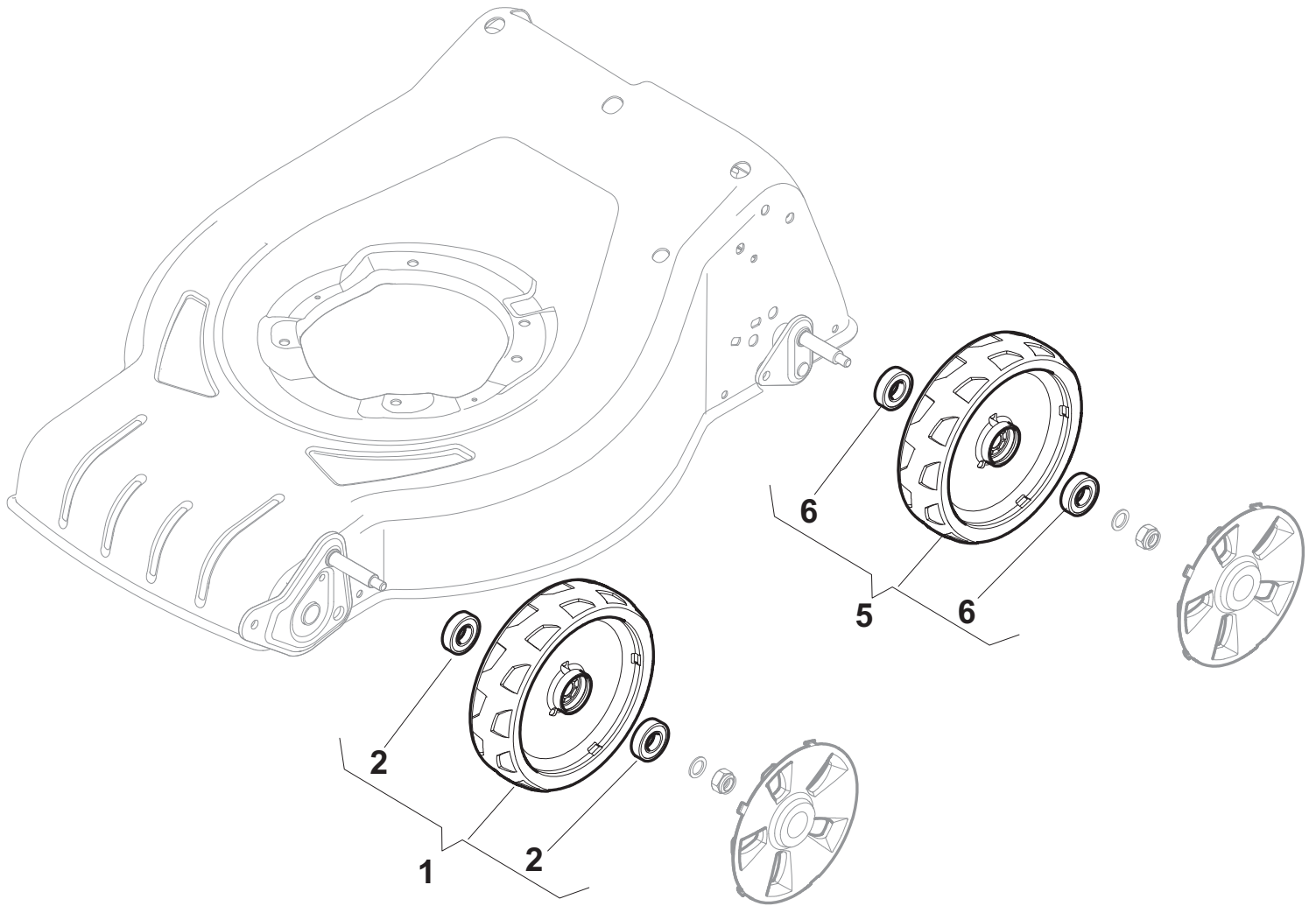
| POS | PART. NO | Q.ty | DESCRIPTION | DESCRIZIONE | DESCRIPTION | BESCHREIBUNG | REMARKS |
|-----|-------------|------|---|--|--|----------------------------------|----------------------|
| 1 | 381006739/0 | 1 | Handle, Upper Part | Manico, Parte Sup | Mancheron, Partie Superieure | Holm, Oberteil | |
| 1 | 381006745/0 | 1 | Handle, Upper Part with sponge handgrip | Manico, Parte Sup. con impugantura in spugna | Mancheron, Partie Superieure avec éponge poignée | Holm, Oberteil Handgriff Schwamm | |
| 2 | 22430313/0 | 1 | Guide Spring | Molla Guida | Ressort De Guide | Feder Führer | |
| 3 | 12521330/0 | 1 | Washer | Rosetta | Rondelle | Scheibe | |
| 4 | 12154510/0 | 1 | Nut | Dado | Ecrou | Mutter | |
| 5 | 118390020/0 | 1 | Fairlead | Fermacavo | Fixation Cable | Kabelbefestigung | |
| 6 | 181003363/1 | 1 | Lever, Engine Brake Black | Leva Freno Motore Nero | Levier Frein Moteur Noire | Hebel, Motorbremse, Schwarz | |
| 6 | 381003365/0 | 1 | Lever, Engine Brake Yellow | Leva Freno Motore Giallo | Levier Frein Moteur Jaune | Hebel, Motorbremse, Gelb | |
| 6 | 381003376/0 | 1 | Lever, Engine Brake Red | Leva Freno Motore Rosso | Levier Frein Moteur Rouge | Hebel, Motorbremse, Rot | |
| 7 | 181030054/0 | 1 | Cable, Thread Engine Brake | Cavo Freno Motore | Cable Frein Moteur | Kabel, Motorbremse | GGP150cc |
| 7 | 181030056/0 | 1 | Cable, Thread Engine Brake | Cavo Freno Motore | Cable Frein Moteur | Kabel, Motorbremse | B&S-GGP-B&S E Series |
| 7 | 181030069/0 | 1 | Cable, Thread Engine Brake | Cavo Freno Motore | Cable Frein Moteur | Kabel, Motorbremse | Honda |
| 8 | 12727783/0 | 1 | Screw | Vite | Vis | Schraube | |
| 9 | 12154510/0 | 1 | Nut | Dado | Ecrou | Mutter | |
| 12 | 22551640/0 | 1 | Plate | Piastrina | Plaquette | Plättchen | |



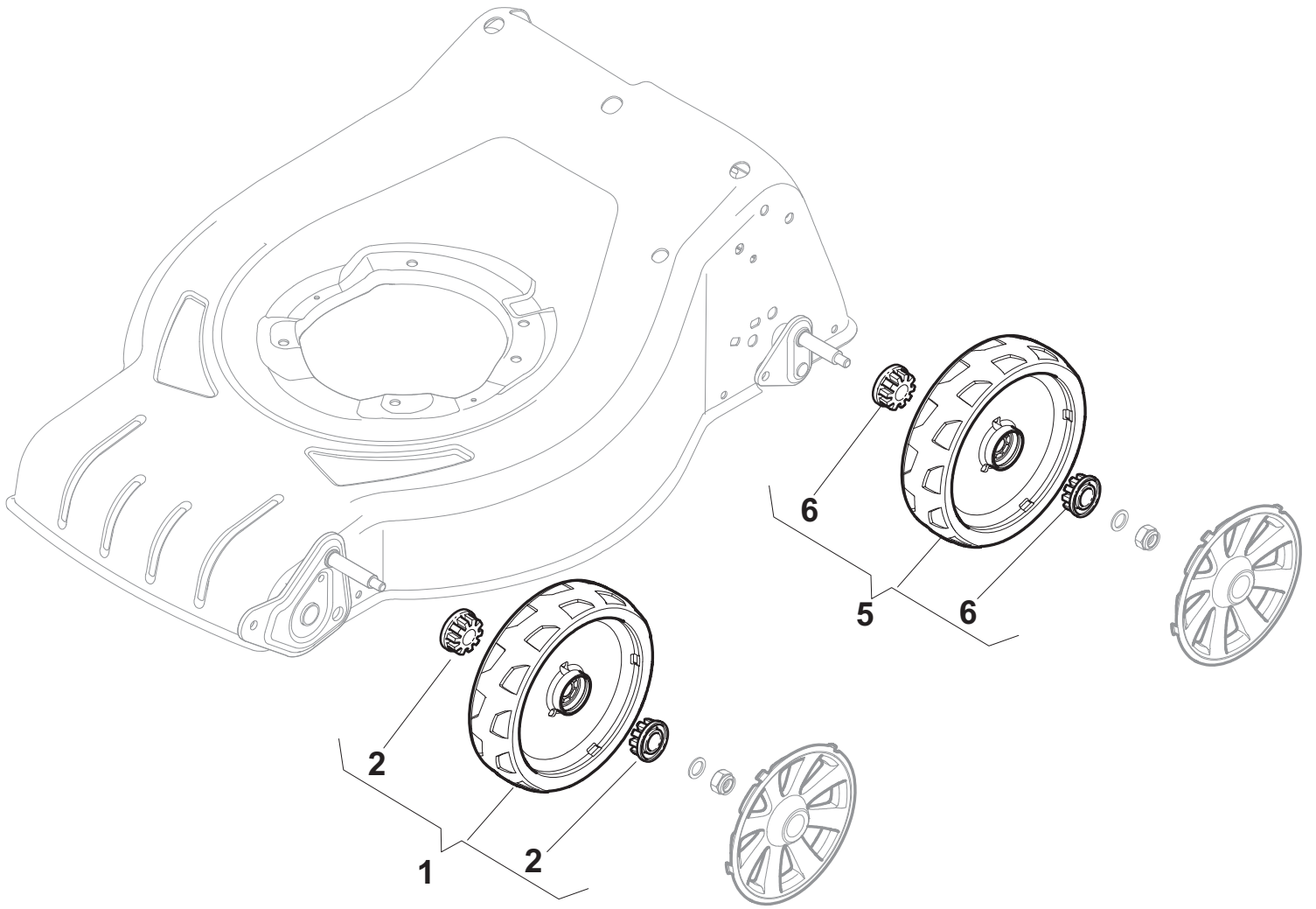
| POS | PART. NO | Q.ty | DESCRIPTION | DESCRIZIONE | DESCRIPTION | BESCHREIBUNG | REMARKS |
|-----|-------------|------|------------------------|-------------------|-----------------------|--------------------|---------------|
| 1 | 381006740/0 | 1 | Handle, Upper Part | Manico, Parte Sup | Mancheron, Partie Sup | Holm, Oberteil | |
| 2 | 112727788/0 | 1 | Screw | Vite | Vis | Schraube | |
| 3 | 322551640/0 | 1 | Plate | Piastrina | Plaquette | Plättchen | |
| 4 | 112154510/0 | 1 | Nut | Dado | Ecrou | Mutter | |
| 5 | 181030053/0 | 1 | Cable, Thread Engine B | Cavo Freno Motore | Cable Frein Moteur | Kabel, Motorbremse | GGP150cc |
| 5 | 181030084/0 | 1 | Cable, Thread Engine B | Cavo Freno Motore | Cable Frein Moteur | Kabel, Motorbremse | B&S-GGP-Honda |
| 6 | 181003369/0 | 1 | Lever, Engine Brake | Leva Freno Motore | Levier Frein Moteur | Hebel, Motorbremse | |
| 7 | 112154510/0 | 1 | Nut | Dado | Ecrou | Mutter | |
| 8 | 112521330/0 | 1 | Washer | Rosetta | Rondelle | Scheibe | |
| 9 | 122430313/0 | 1 | Guide Spring | Molla Guida | Ressort De Guide | Feder Führer | |



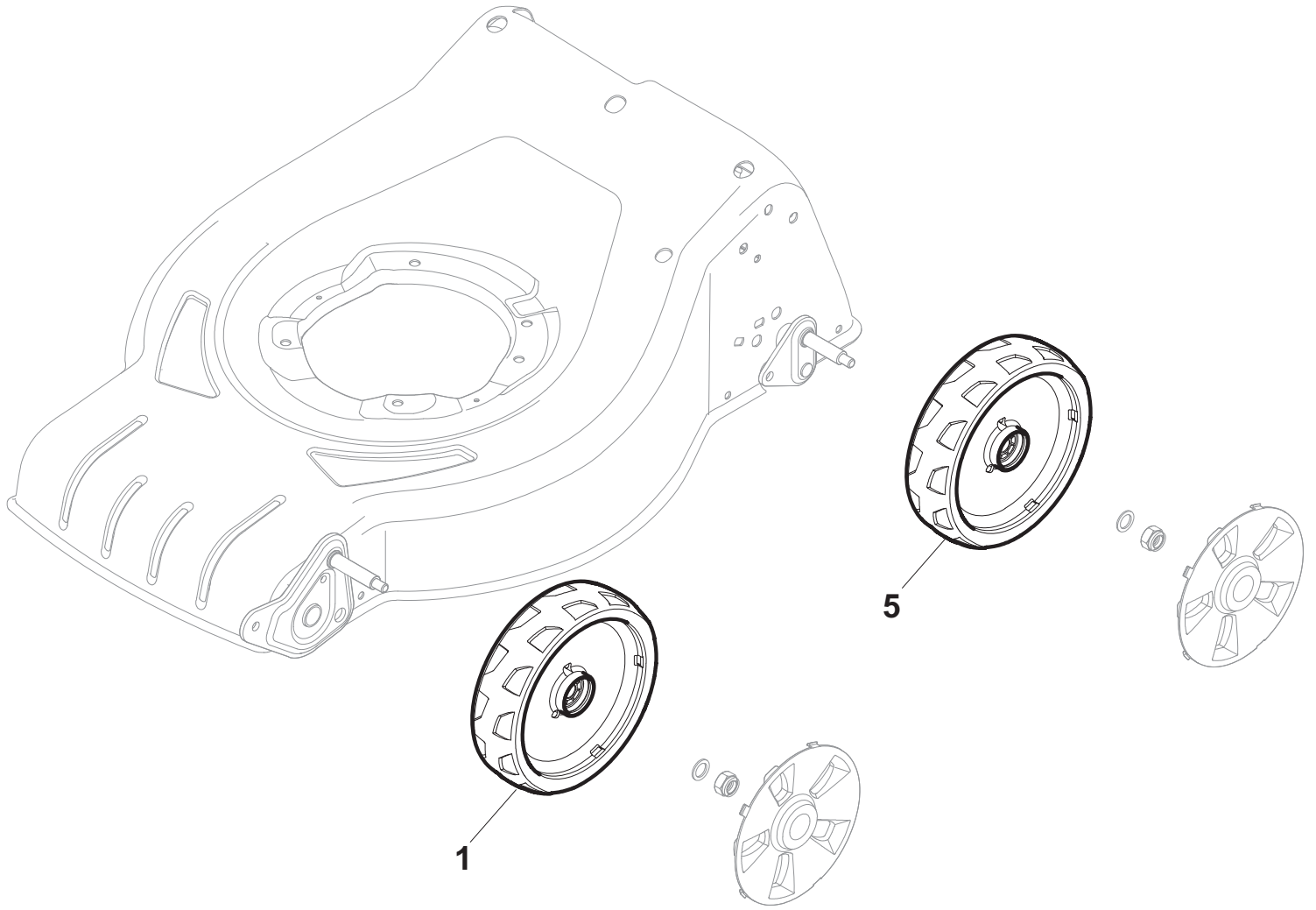
| POS | PART. NO | Q.ty | DESCRIPTION | DESCRIZIONE | DESCRIPTION | BESCHREIBUNG | REMARKS |
|-----|-------------|------|----------------------------|-------------------|------------------------------|--------------------|-----------|
| 1 | 381006740/0 | 1 | Handle, Upper Part | Manico, Parte Sup | Mancheron, Partie Superieure | Holm, Oberteil | |
| 2 | 112727788/0 | 1 | Screw | Vite | Vis | Schraube | |
| 3 | 181030053/0 | 1 | Cable, Thread Engine Brake | Cavo Freno Motore | Cable Frein Moteur | Kabel, Motorbremse | GGP150cc |
| 3 | 181030084/0 | 1 | Cable, Thread Engine Brake | Cavo Freno Motore | Cable Frein Moteur | Kabel, Motorbremse | GGP-B&S |
| 4 | 181005521/0 | 1 | Throttle Cable | Cavo Acceleratore | Cable, Accelérateur | Gashebel Kabel | GGP150cc |
| 4 | 181005522/0 | 1 | Throttle Cable | Cavo Acceleratore | Cable, Accelérateur | Gashebel Kabel | GGP-Honda |
| 4 | 181005534/0 | 1 | Throttle Cable | Cavo Acceleratore | Cable, Accelérateur | Gashebel Kabel | GGP 100cc |
| 4 | 181005535/0 | 1 | Throttle Cable | Cavo Acceleratore | Cable, Accelérateur | Gashebel Kabel | Honda-GGP |
| 4 | 181005536/0 | 1 | Throttle Cable | Cavo Acceleratore | Cable, Accelérateur | Gashebel Kabel | B&S575 |
| 5 | 112154510/0 | 1 | Nut | Dado | Ecrou | Mutter | |
| 6 | 181003369/0 | 1 | Lever, Engine Brake | Leva Freno Motore | Levier Frein Moteur | Hebel, Motorbremse | |
| 7 | 112154510/0 | 1 | Nut | Dado | Ecrou | Mutter | |
| 8 | 112521330/0 | 1 | Washer | Rosetta | Rondelle | Scheibe | |
| 9 | 122430313/0 | 1 | Guide Spring | Molla Guida | Ressort De Guide | Feder Führer | |



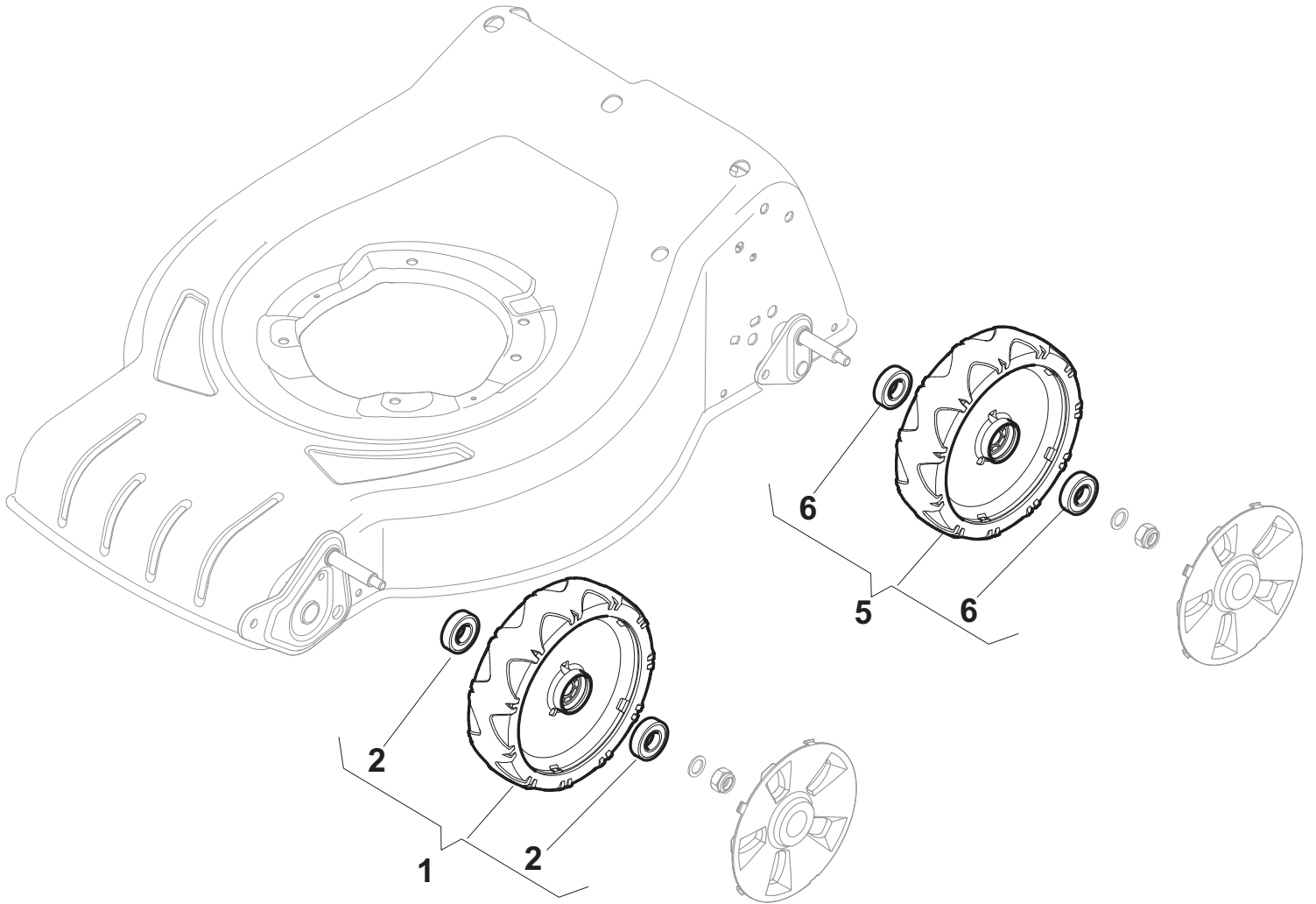
| POS | PART. NO | Q.ty | DESCRIPTION | DESCRIZIONE | DESCRIPTION | BESCHREIBUNG | REMARKS |
|-----|-------------|------|-------------|-------------|-------------|--------------|---------|
| 1 | 381007448/0 | 2 | Wheel Ø 180 | Ruota Ø 180 | Roue Ø 180 | Rad Ø 180 | |
| 2 | 19216035/0 | 4 | Bearing | Cuscinetto | Coussinet | Lager | |
| 5 | 381007448/0 | 2 | Wheel Ø 180 | Ruota Ø 180 | Roue Ø 180 | Rad Ø 180 | |
| 6 | 19216035/0 | 4 | Bearing | Cuscinetto | Coussinet | Lager | |



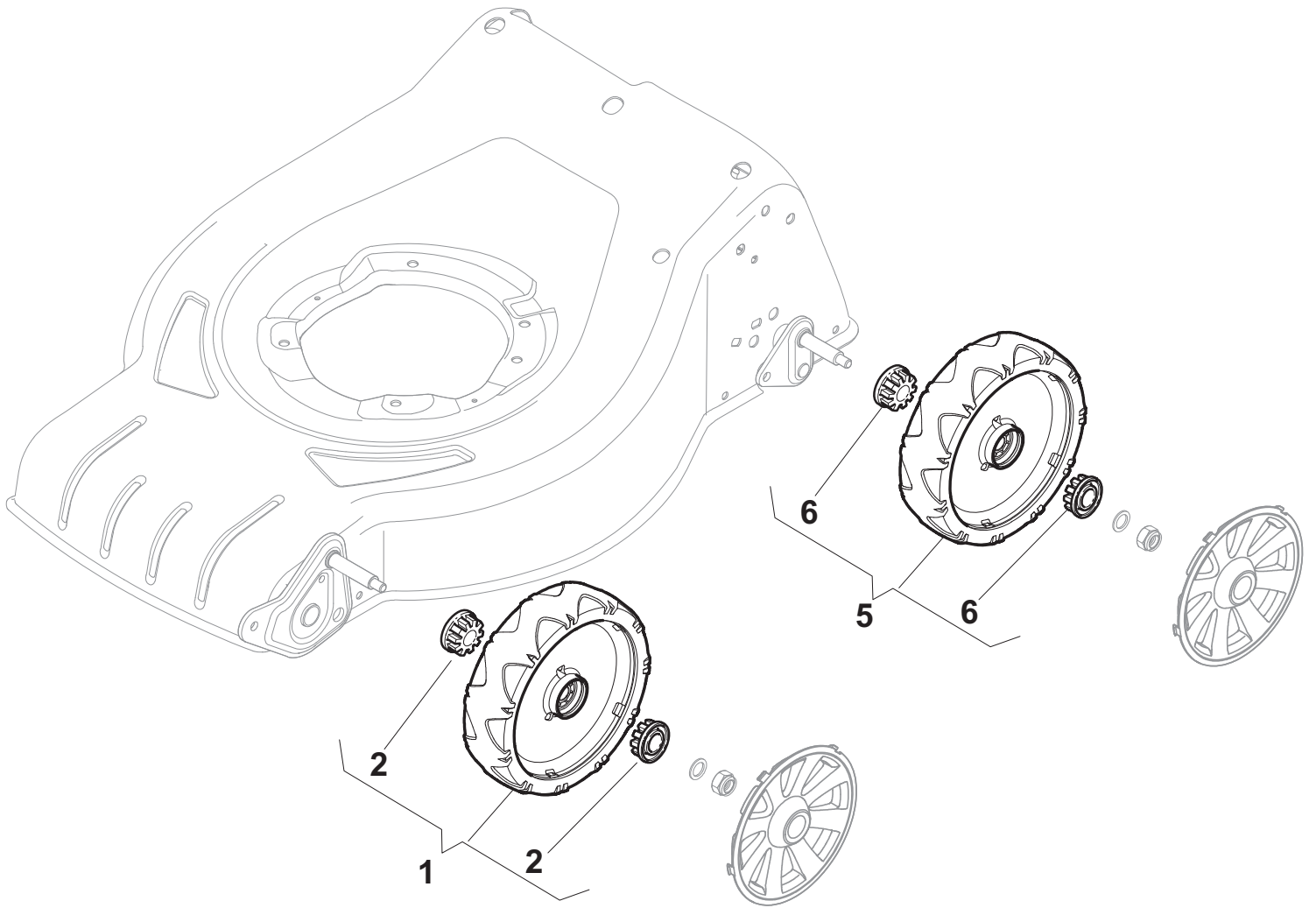
| POS | PART. NO | Q.ty | DESCRIPTION | DESCRIZIONE | DESCRIPTION | BESCHREIBUNG | REMARKS |
|-----|-------------|------|-------------|-------------|-------------|--------------|---------|
| 1 | 381007442/0 | 2 | Wheel Ø 180 | Ruota Ø 180 | Roue Ø 180 | Rad Ø 180 | |
| 2 | 322042064/0 | 4 | Bush | Bussola | Douille | Buchse | |
| 5 | 381007442/0 | 2 | Wheel Ø 180 | Ruota Ø 180 | Roue Ø 180 | Rad Ø 180 | |
| 6 | 322042064/0 | 4 | Bush | Bussola | Douille | Buchse | |



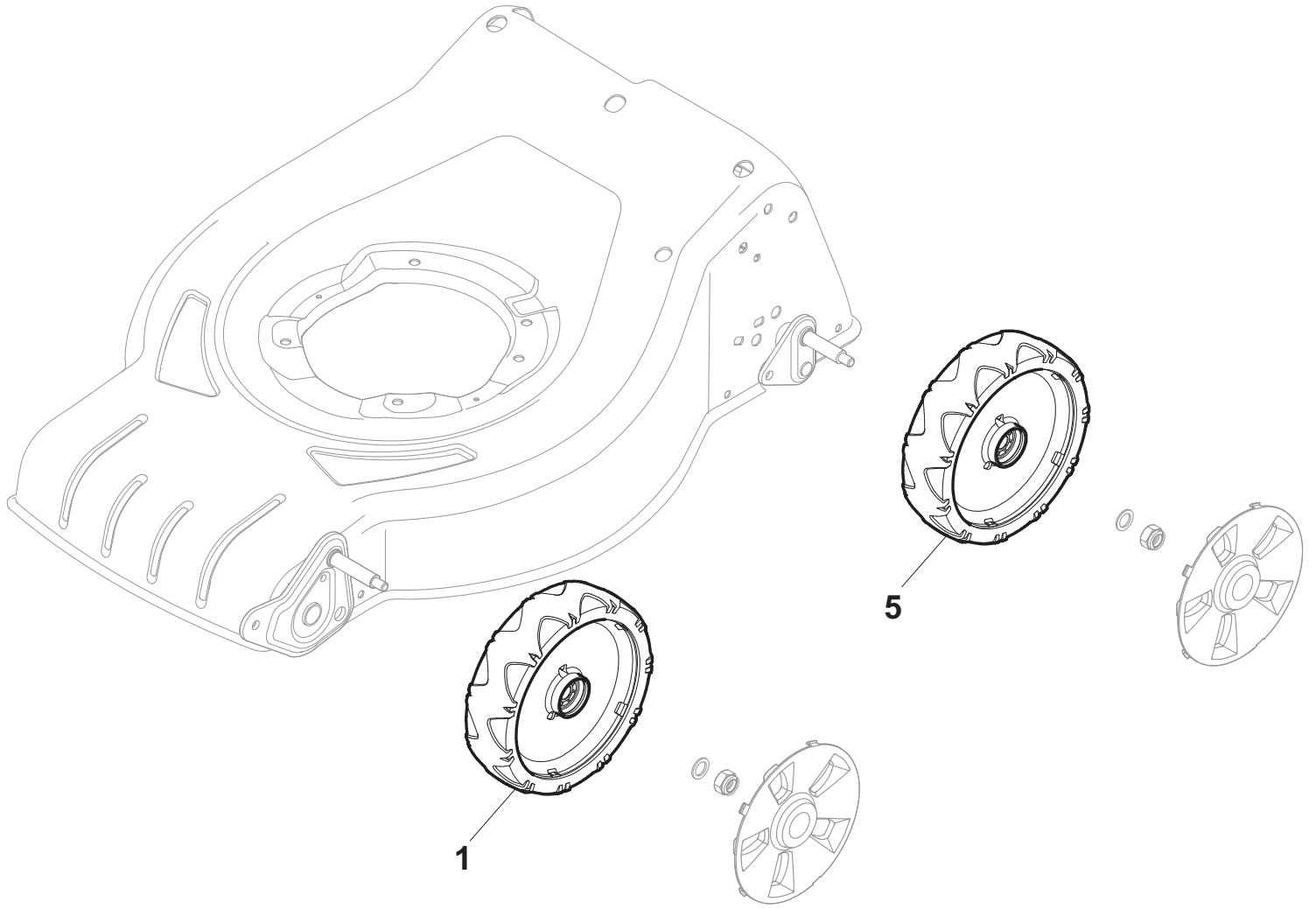
| POS | PART. NO | Q.ty | DESCRIPTION | DESCRIZIONE | DESCRIPTION | BESCHREIBUNG | REMARKS |
|-----|-------------|------|-------------|-------------|-------------|--------------|---------|
| 1 | 381007438/0 | 2 | Wheel Ø 180 | Ruota Ø 180 | Roue Ø 180 | Rad Ø 180 | |
| 5 | 381007438/0 | 4 | Wheel Ø 180 | Ruota Ø 180 | Roue Ø 180 | Rad Ø 180 | |



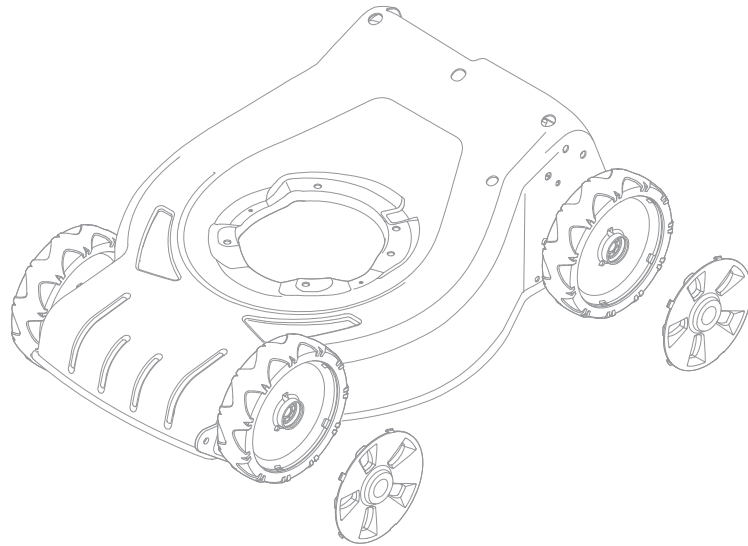
| POS | PART. NO | Q.ty | DESCRIPTION | DESCRIZIONE | DESCRIPTION | BESCHREIBUNG | REMARKS |
|-----|-------------|------|-------------|-------------|-------------|--------------|---------|
| 1 | 381007450/0 | 2 | Wheel Ø 180 | Ruota Ø 180 | Roue Ø 180 | Rad Ø 180 | |
| 2 | 19216035/0 | 4 | Bearing | Cuscinetto | Coussinet | Lager | |
| 5 | 381007450/0 | 2 | Wheel Ø 180 | Ruota Ø 180 | Roue Ø 180 | Rad Ø 180 | |
| 6 | 19216035/0 | 4 | Bearing | Cuscinetto | Coussinet | Lager | |



| POS | PART. NO | Q.ty | DESCRIPTION | DESCRIZIONE | DESCRIPTION | BESCHREIBUNG | REMARKS |
|-----|-------------|------|-------------|-------------|-------------|--------------|---------|
| 1 | 381007444/0 | 2 | Wheel Ø 180 | Ruota Ø 180 | Roue Ø 180 | Rad Ø 180 | |
| 2 | 322042064/0 | 4 | Bush | Bussola | Douille | Buchse | |
| 5 | 381007444/0 | 2 | Wheel Ø 180 | Ruota Ø 180 | Roue Ø 180 | Rad Ø 180 | |
| 6 | 322042064/0 | 4 | Bush | Bussola | Douille | Buchse | |



| POS | PART. NO | Q.ty | DESCRIPTION | DESCRIZIONE | DESCRIPTION | BESCHREIBUNG | REMARKS |
|-----|-------------|------|-------------|-------------|-------------|--------------|---------|
| 1 | 381007440/0 | 2 | Wheel Ø 180 | Ruota Ø 180 | Roue Ø 180 | Rad Ø 180 | |
| 5 | 381007440/0 | 4 | Wheel Ø 180 | Ruota Ø 180 | Roue Ø 180 | Rad Ø 180 | |



1



2



3



4



5



6



7

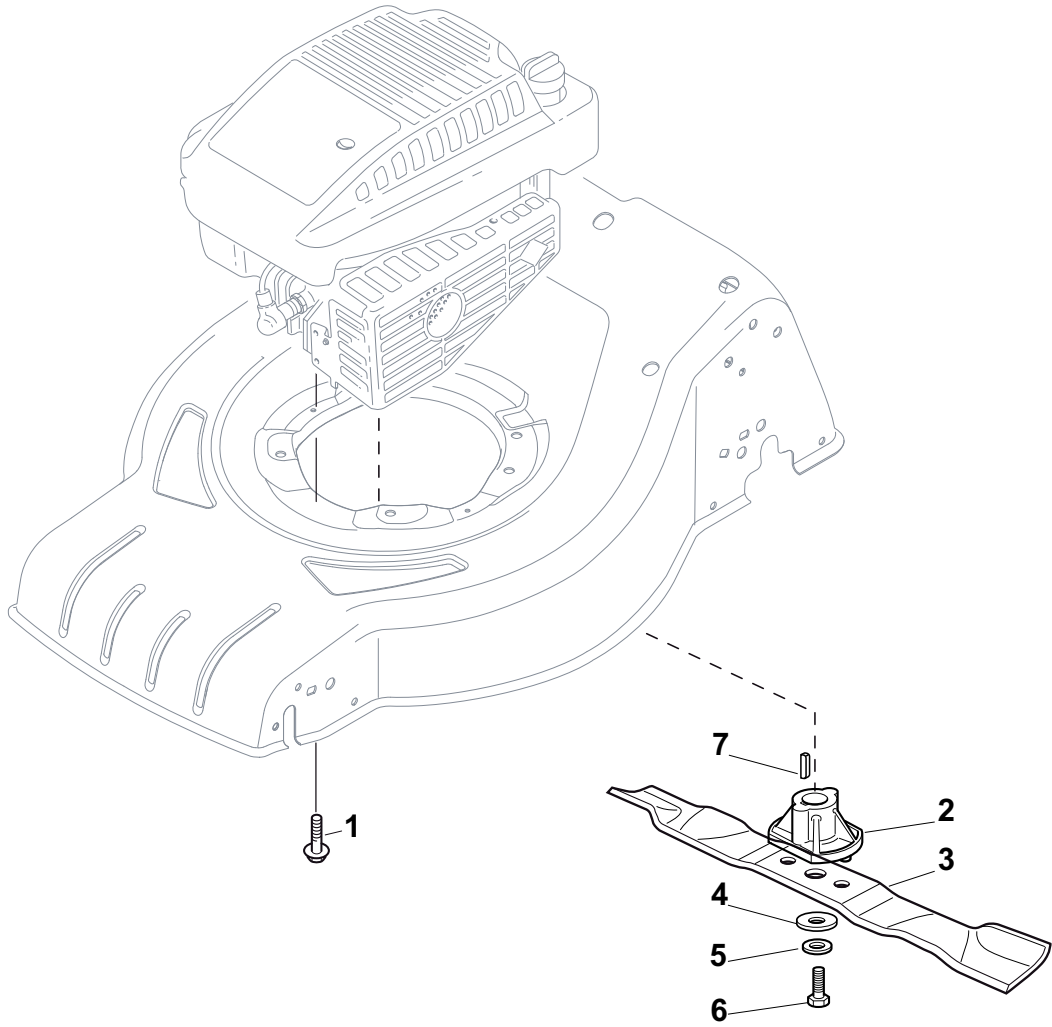


8

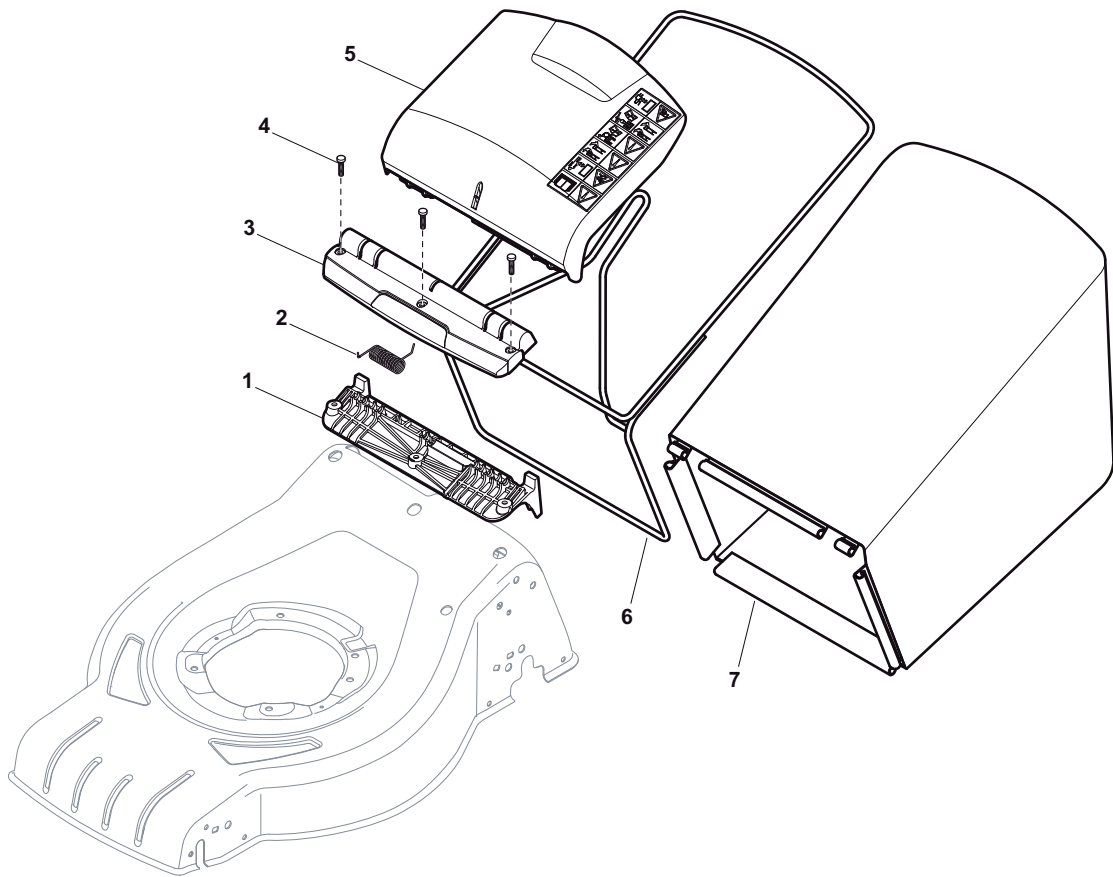


9

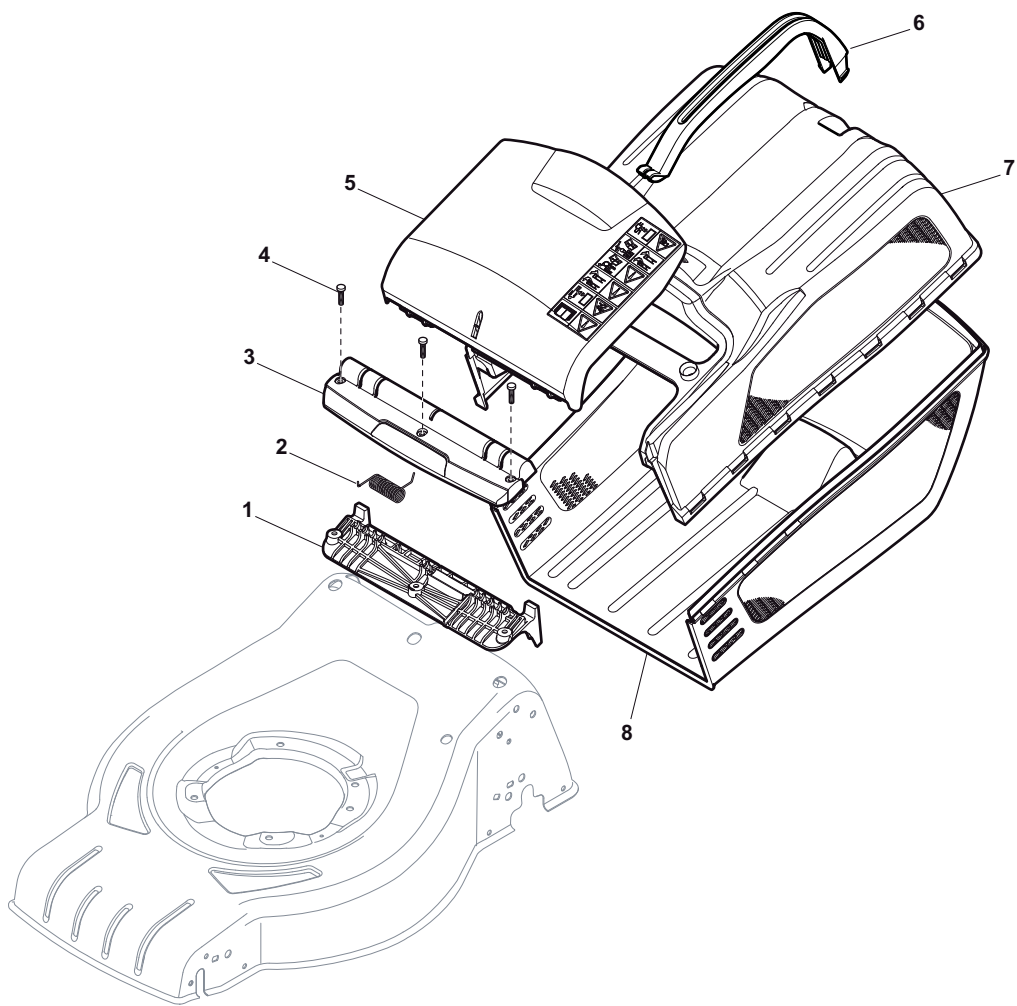
| POS | PART. NO | Q.ty | DESCRIPTION | DESCRIZIONE | DESCRIPTION | BESCHREIBUNG | REMARKS |
|-----|-------------|------|--------------|-------------------|--------------|--------------|---------|
| A1 | 22110344/0 | 2 | Hub Cap Grey | Coprимozzo Grigio | Couvre-Moyeu | Radkappe | |
| A2 | 22110395/0 | 2 | Hub Cap Grey | Coprимozzo Grigio | Couvre-Moyeu | Radkappe | |
| A2 | 22110347/0 | 2 | Hub Cap Grey | Coprимozzo Grigio | Couvre-Moyeu | Radkappe | |
| A3 | 22110381/0 | 2 | Hub Cap Grey | Coprимozzo Grigio | Couvre-Moyeu | Radkappe | |
| A4 | 22110416/0 | 2 | Hub Cap Grey | Coprимozzo Grigio | Couvre-Moyeu | Radkappe | |
| A5 | 22110491/0 | 2 | Hub Cap Grey | Coprимozzo Grigio | Couvre-Moyeu | Radkappe | |
| A6 | 22110493/0 | 2 | Hub Cap Grey | Coprимozzo Grigio | Couvre-Moyeu | Radkappe | |
| A7 | 22110495/0 | 2 | Hub Cap Grey | Coprимozzo Grigio | Couvre-Moyeu | Radkappe | |
| A8 | 322110636/0 | 2 | Hub Cap Grey | Coprимozzo Grigio | Couvre-Moyeu | Radkappe | |
| A9 | 322110638/0 | 2 | Hub Cap Grey | Coprимozzo Grigio | Couvre-Moyeu | Radkappe | |



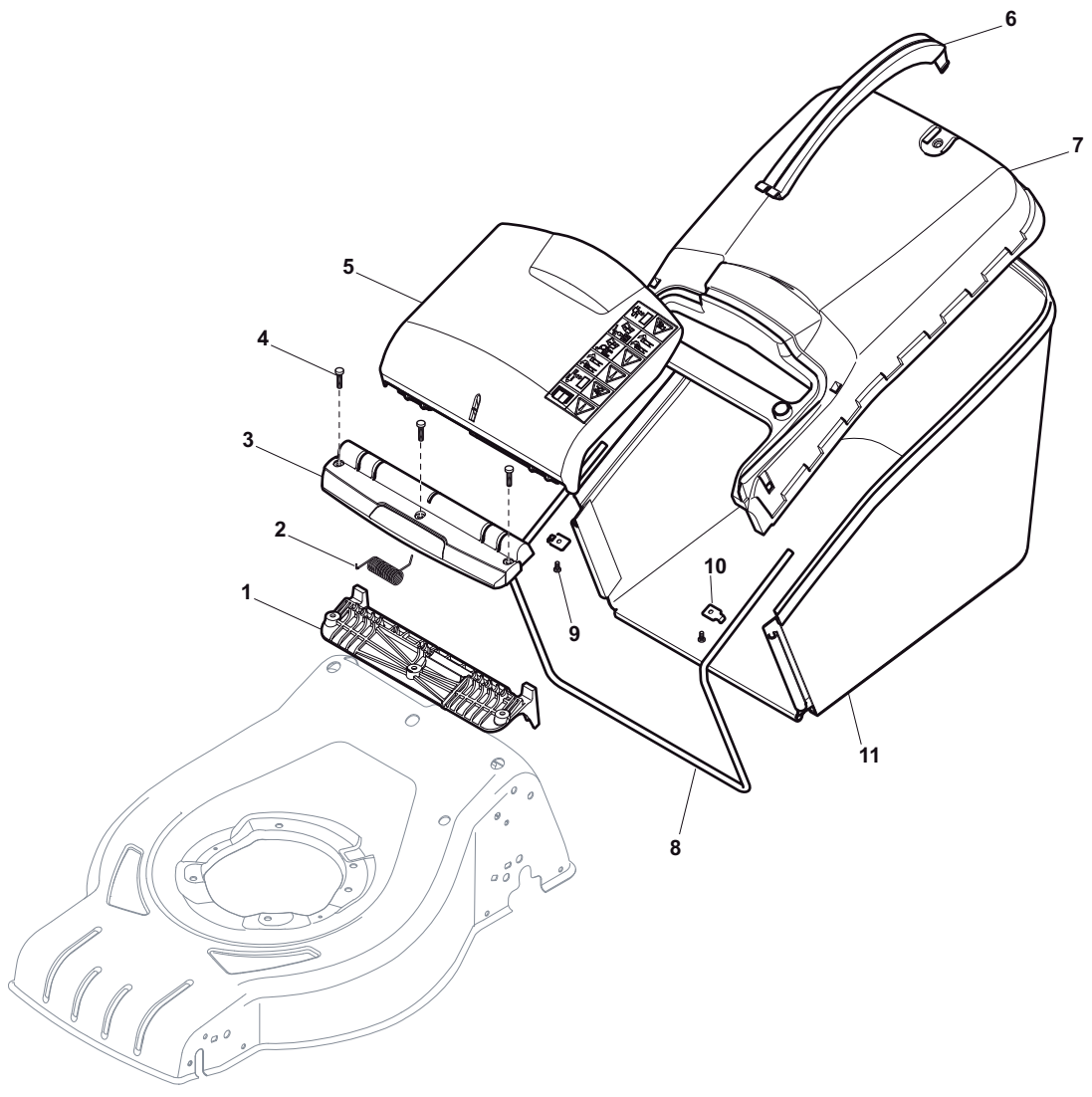
| POS | PART. NO | Q.ty | DESCRIPTION | DESCRIZIONE | DESCRIPTION | BESCHREIBUNG | REMARKS |
|-----|-------------|------|----------------------------|---------------------------------|-------------------------------|---------------------------|---------------|
| 1 | 112735109/1 | 1 | Screw | Vite | Vis | Schraube | GGP196cc |
| 1 | 112735108/1 | 2 | Screw | Vite | Vis | Schraube | GGP196cc |
| 1 | 112735108/1 | 3 | Screw | Vite | Vis | Schraube | B&S-GGP-Honda |
| 1 | 112691100/0 | 3 | Screw | Vite | Vis | Schraube | B&S E Series |
| 2 | 22463012/2 | 1 | Hub, Crankshaft Ø 22.2 | Mozzo, Albero Motore Ø 22.2 | Moyeu, Arbre Moteur Ø 22.2 | Halter, Motorwelle Ø 22.2 | B&S-GGP |
| 2 | 122463020/1 | 1 | Hub, Crankshaft Ø 25 | Mozzo, Albero Motore Ø 25 | Moyeu, Arbre Moteur Ø 25 | Halter, Motorwelle Ø 25 | Honda |
| 3 | 81004341/3 | 1 | Blade Standard | Coltello Standard | Lame Standard | Messer Standard | |
| 4 | 22160400/0 | 1 | Elastic Washer | Disco Elastico | Rondelle Elastique | Elastischescheibe | |
| 5 | 12523080/0 | 1 | Washer | Rosetta | Rondelle | Scheibe | |
| 6 | 12735698/0 | 1 | Screw | Vite | Vis | Schraube | |
| 7 | 12139100/0 | 1 | Feather, Crankshaft Ø 22.2 | Linguetta, Albero Motore Ø 22.2 | Clavette, Arbre Moteur Ø 22.2 | Keil, Motorwelle Ø 22.2 | B&S-GGP |
| 7 | 12139150/0 | 1 | Feather, Crankshaft Ø 25 | Linguetta, Albero Motore Ø 25 | Clavette, Arbre Moteur Ø 25 | Keil, Motorwelle Ø 25 | Honda |



| POS | PART. NO | Q.ty | DESCRIPTION | DESCRIZIONE | DESCRIPTION | BESCHREIBUNG | REMARKS |
|-----|-------------|------|---------------------|--------------|--------------|--------------|---------|
| 1 | 322785331/0 | 1 | Support | Supporto | Support | Halter | |
| 2 | 122450464/0 | 1 | Spring | Molla | Ressort | Feder | |
| 3 | 322109557/0 | 1 | Cover, Grey | Copertura | Couvre | Kappe | Grey |
| 3 | 322109556/0 | 1 | Cover, Yellow | Copertura | Couvre | Kappe | Yellow |
| 4 | 112728699/0 | 3 | Screw | Vite | Vis | Schraube | |
| 5 | 322600216/1 | 1 | Stone-Guard, Grey | Parasassi | Pare-Pierres | Prallblech | Grey |
| 5 | 322600214/1 | 1 | Stone-Guard, Yellow | Parasassi | Pare-Pierres | Prallblech | Yellow |
| 6 | 181006409/0 | 1 | Chassis Box | Telaio Sacco | Châssis Bac | Rahmen Sack | |
| 7 | 181002319/0 | 1 | Box, Fabric | Sacco, Tela | Sac, Toile | Sack, Tuck | |



| POS | PART. NO | Q.ty | DESCRIPTION | DESCRIZIONE | DESCRIPTION | BESCHREIBUNG | REMARKS |
|-----|-------------|------|---------------------|--------------------|------------------------|----------------|---------|
| 1 | 322785331/0 | 1 | Support | Supporto | Support | Halter | |
| 2 | 122450464/0 | 1 | Spring | Molla | Ressort | Feder | |
| 3 | 322109557/0 | 1 | Cover, Grey | Copertura | Couvre | Kappe | Grey |
| 3 | 322109556/0 | 1 | Cover, Yellow | Copertura | Couvre | Kappe | Yellow |
| 4 | 112728699/0 | 3 | Screw | Vite | Vis | Schraube | |
| 5 | 322600216/1 | 1 | Stone-Guard, Grey | Parasassi | Pare-Pierres | Prallblech | Grey |
| 5 | 322600214/1 | 1 | Stone-Guard, Yellow | Parasassi | Pare-Pierres | Prallblech | Yellow |
| 6 | 322393645/0 | 1 | Handle | Maniglia | Poignée | Griff | |
| 7 | 322486263/0 | 1 | Grassbox Upper Part | Parte Sup.Sacco | Sac, Partie Superieure | Korb Oberteil | |
| 8 | 322486267/0 | 1 | Grassbox Lower Part | Parte Infer. Sacco | Sac, Partie Inferieure | Korb Unterteil | |



| POS | PART. NO | Q.ty | DESCRIPTION | DESCRIZIONE | DESCRIPTION | BESCHREIBUNG | REMARKS |
|-----|-------------|------|---------------------|-----------------|------------------------|---------------|---------|
| 1 | 322785331/0 | 1 | Support | Supporto | Support | Halter | |
| 2 | 122450464/0 | 1 | Spring | Molla | Ressort | Feder | |
| 3 | 322109557/0 | 1 | Cover, Grey | Copertura | Couvre | Kappe | Grey |
| 3 | 322109556/0 | 1 | Cover, Yellow | Copertura | Couvre | Kappe | Yellow |
| 4 | 112728699/0 | 3 | Screw | Vite | Vis | Schraube | |
| 5 | 322600216/1 | 1 | Stone-Guard, Grey | Parasassi | Pare-Pierres | Prallblech | Grey |
| 5 | 322600214/1 | 1 | Stone-Guard, Yellow | Parasassi | Pare-Pierres | Prallblech | Yellow |
| 6 | 322393649/0 | 1 | Handle | Maniglia | Poignée | Griff | |
| 6 | 322393646/0 | 1 | Handle | Maniglia | Poignée | Griff | |
| 7 | 322486270/0 | 1 | Grassbox Upper Part | Parte Sup.Sacco | Sac, Partie Superieure | Korb Oberteil | Grey |
| 7 | 322486264/0 | 1 | Grassbox Upper Part | Parte Sup.Sacco | Sac, Partie Superieure | Korb Oberteil | Yellow |
| 8 | 122608561/0 | 1 | Stiffening Lower | Rinforzo Inf | Réinforcement Inf | Verstärkung | |
| 9 | 12728692/0 | 2 | Screw | Vite | Vis | Schraube | |
| 10 | 322545159/0 | 2 | Plate | Piastrina | Plaquette | Plättchen | |
| 11 | 181002318/0 | 1 | Box, Fabric | Sacco, Tela | Sac, Toile | Sack, Tuck | |