

# ILLUSTRATED PARTS LIST

## NT-NTL 534 W NT-NTL 534 WQ



- Use GLOBAL GARDEN PRODUCT Genuine Spare Parts specified in the parts list for repair and/or replacement.
- The contents described in the parts list may change due to improvement.
- The drawings of the spare parts are only indicative and might not represent the part in question exactly.
- The indications "right" - "left" - "front" - "rear" refer to the position of the operator when using the machine.
- When placing orders of parts for repair and/or replacement, make sure that the illustrated parts list is the one applying to the machine's year of manufacture, as shown on the identification plate attached to the machine.

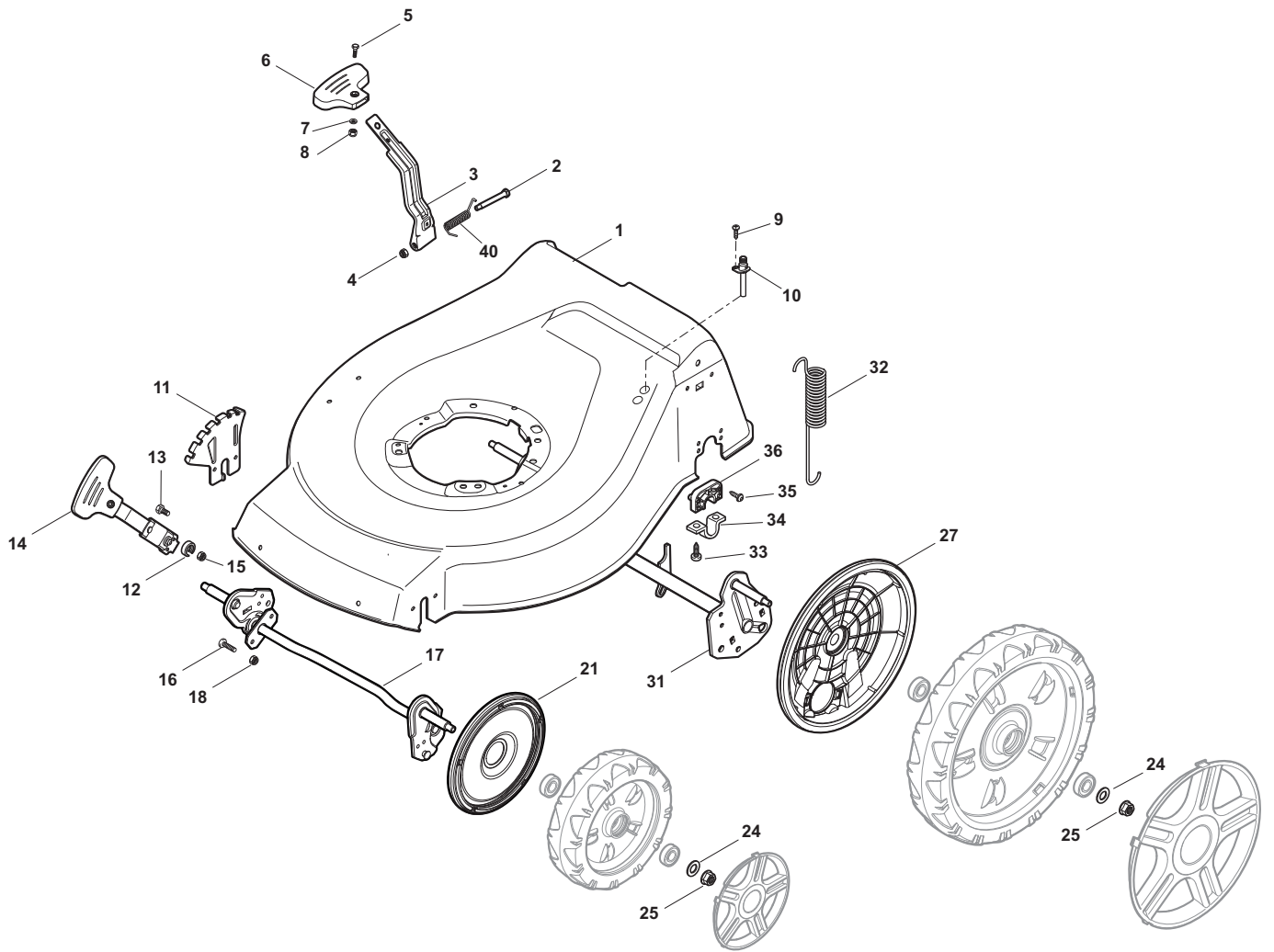
© Copyright 2012 Global Garden Products

All content is subject to copyright by Global Garden Products and may not be reproduced in whole or in part by any means, electronic or otherwise, without prior written approval.

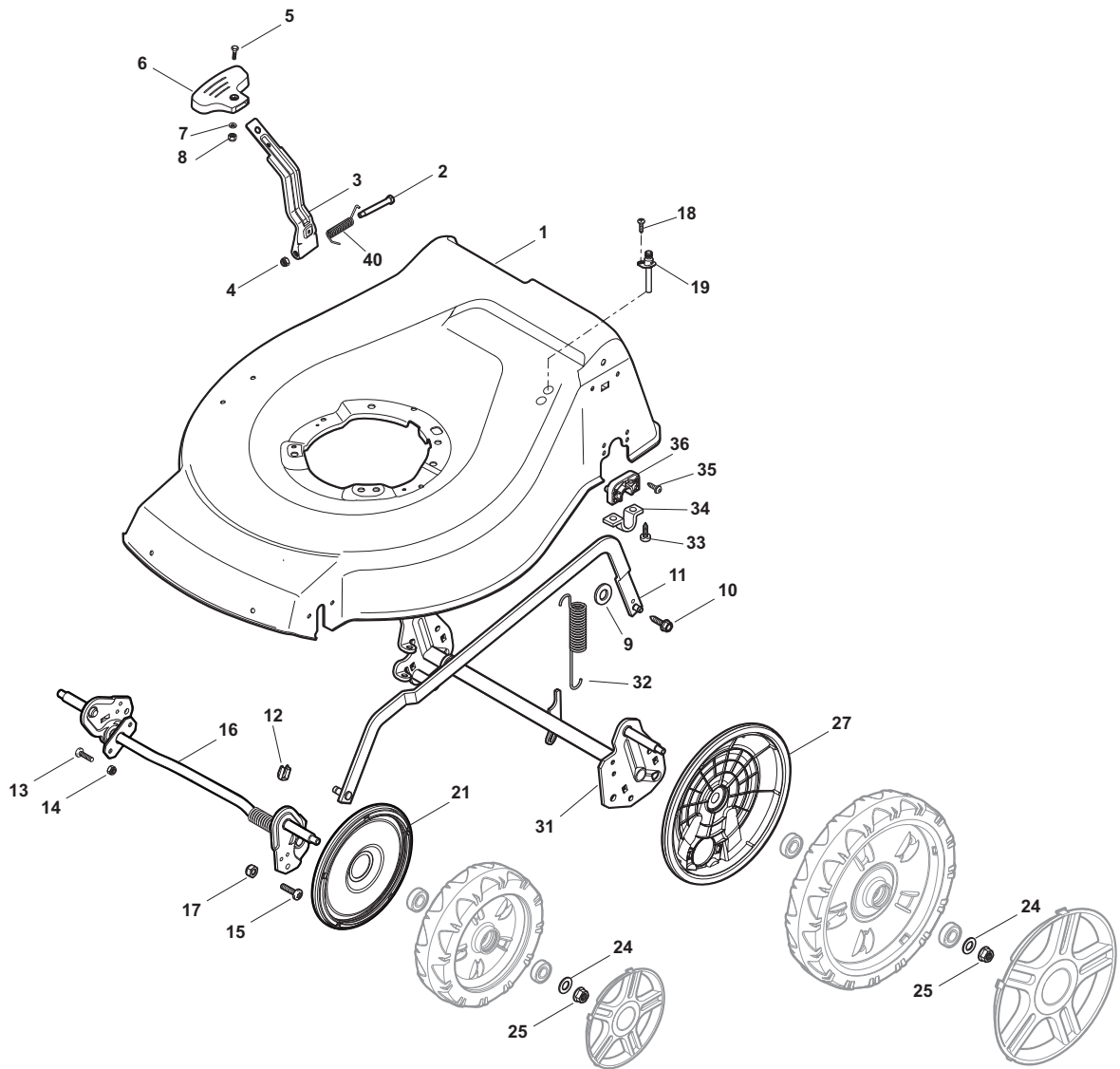
THIS INFORMATION IS NOT INTENDED FOR SALE OR RESALE, AND THIS NOTICE MUST REMAIN ON ALL COPIES.



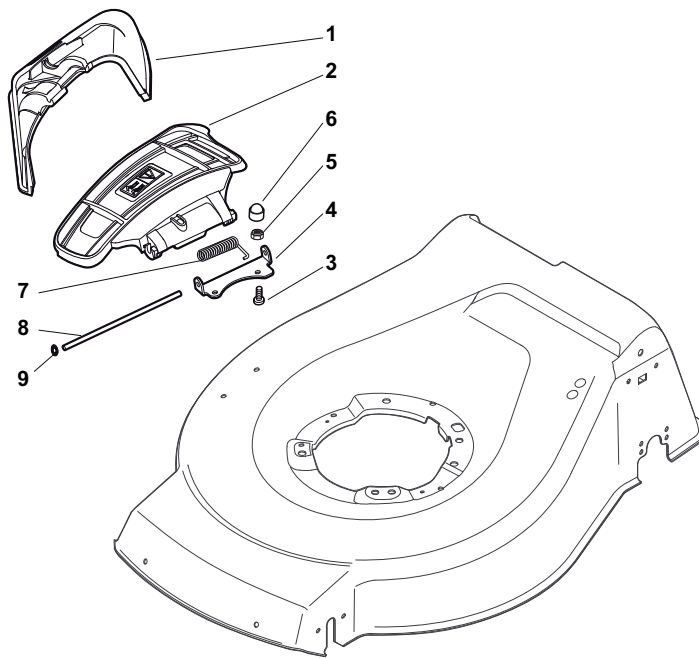
GLOBAL GARDEN PRODUCTS



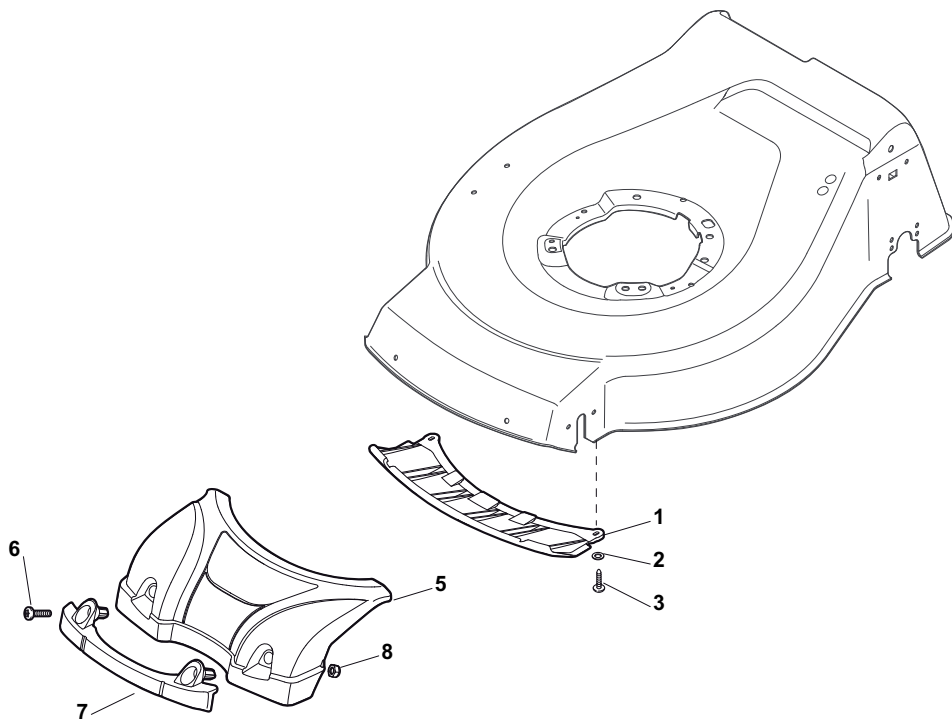
POS	PART. NO	Q.ty	DESCRIPTION	DESCRIZIONE	DESCRIPTION	BESCHREIBUNG	REMARKS
1	381004540/0	1	Deck Red	Chassis Rosso	Châssis Rouge	Gehäuse Rot	
1	381004590/0	1	Deck Yellow	Chassis Giallo	Châssis Jaune	Gehäuse Gelb	
1	381004542/0	1	Deck Red	Chassis Rosso	Châssis Rouge	Gehäuse Rot	Side Discharge
2	122534131/0	1	Pin	Perno	Pivot	Bolzen	
3	322322853/0	1	Lever, Height Adjustment	Leva Regolazione Altezza	Levier, Reglage Hauteur	Hebel, Höheverstellung	
4	12154510/0	1	Nut	Dado	Ecrou	Mutter	
5	12788512/0	1	Screw	Vite	Vis	Schraube	
6	322394503/0	1	Knob	Manopolina	Poignée	Griff	
7	12521310/0	1	Washer	Rondella	Rondelle	Scheibe	
8	12150000/0	1	Nut	Dado	Ecrou	Mutter	
9	12728450/0	1	Screw	Vite	Vis	Schraube	
10	322034002/0	1	Washing Connection	Attacco Acqua Lavaggio	Attaque Lavage	Waschenverbindung	
11	322735589/0	1	Sector, Height Adjustment	Settore Regolazione Altezza	Secteur Reglage Hauteur	Sektor, Höheverstellung	
12	22171002/0	2	Spacer	Distanziale	Entretoise	Distanzring	
13	12789000/0	2	Screw	Vite	Vis	Schraube	
14	381003351/0	1	Lever, Height Adjustment	Leva Regolazione Altezza	Levier Reglage Hauteur	Hebel, Höneverstellung	
15	12154330/0	2	Nut	Dado	Ecrou	Mutter	
16	112727803/0	4	Screw	Vite	Vis	Schraube	
17	381002885/1	1	Axle, Front Wheels	Asse Ruote Anteriori	Axe Roues Avant	Achse, Vorderrad	
18	12154510/0	4	Nut	Dado	Ecrou	Mutter	
21	322600145/0	2	Protection, Wheel	Prot. Ruote	Protection Roue	Schütz, Räder	
24	12521350/0	4	Washer	Rondella	Rondelle	Scheibe	
25	12155000/0	4	Nut	Dado	Ecrou	Mutter	
27	322600208/0	2	Protection, Wheel	Prot. Ruote	Protection Roue	Schütz, Räder	
31	381302831/0	1	Axle, Rear Wheels	Asse Ruote Posteriori	Axe Roues Arriere	Achse, Hinterrad	
32	122450460/0	1	Spring	Molla	Ressort	Feder	
33	112728697/0	4	Screw	Vite	Vis	Schraube	
34	22545152/0	2	Plate	Piastrina	Plaquette	Platte	
35	112728697/0	4	Screw	Vite	Vis	Schraube	
36	322785304/0	2	Support	Supporto	Support	Halter	
40	122446192/0	1	Spring	Molla	Ressort	Feder	



POS	PART. NO	Q.ty	DESCRIPTION	DESCRIZIONE	DESCRIPTION	BESCHREIBUNG	REMARKS
1	381004540/0	1	Deck Red	Chassis Rosso	Châssis Rouge	Gehäuse Rot	
1	381004590/0	1	Deck Yellow	Chassis Giallo	Châssis Jaune	Gehäuse Gelb	
1	381004542/0	1	Deck Red	Chassis Rosso	Châssis Rouge	Gehäuse Rot	Side Discharge
2	122534131/0	1	Pin	Perno	Pivot	Bolzen	
3	322322853/0	1	Lever, Height Adjustment	Leva Regolazione Altezza	Levier, Reglage Hauteur	Hebel, Höheverstellung	
4	12154510/0	1	Nut	Dado	Ecrou	Mutter	
5	12788512/0	1	Screw	Vite	Vis	Schraube	
6	322394503/0	1	Knob	Manopolina	Poignée	Griff	
7	12521310/0	1	Washer	Rondella	Rondelle	Scheibe	
8	12150000/0	1	Nut	Dado	Ecrou	Mutter	
9	12369500/0	1	Washer	Rondella	Rondelle	Scheibe	
10	122943013/0	1	Screw	Vite	Vis	Schraube	
11	381002032/0	1	Rod, Height Adjustment	Asta Comando Regol. Altezza	Tige Commande Reglage Hauteur	Stange, Höheverstellung	
12	112436051/0	1	Plate	Piastrina	Plaquette	Plättchen	
13	112727803/0	3	Screw	Vite	Vis	Schraube	
14	12154510/0	3	Nut	Dado	Ecrou	Mutter	
15	112727801/0	1	Screw	Vite	Vis	Schraube	
16	381002887/1	1	Axle, Front Wheels	Asse Ruote Anteriori	Axe Roues Avant	Achse, Vorderrad	
17	12154510/0	1	Nut	Dado	Ecrou	Mutter	
18	12728450/0	1	Screw	Vite	Vis	Schraube	
19	322034002/0	1	Washing Connection	Attacco Acqua Lavaggio	Attaque Lavage	Waschenverbindung	
21	322600145/0	2	Protection, Wheel	Prot. Ruote	Protection Roue	Schütz, Räder	
24	12521350/0	4	Washer	Rondella	Rondelle	Scheibe	
25	12155000/0	4	Nut	Dado	Ecrou	Mutter	
27	322600208/0	2	Protection, Wheel	Prot. Ruote	Protection Roue	Schütz, Räder	
31	381302831/0	1	Axle, Rear Wheels	Asse Ruote Posteriori	Axe Roues Arriere	Achse, Hinterrad	
32	122450460/0	1	Spring	Molla	Ressort	Feder	
33	112728697/0	4	Screw	Vite	Vis	Schraube	
34	22545152/0	2	Plate	Piastrina	Plaquette	Platte	
35	112728697/0	4	Screw	Vite	Vis	Schraube	
36	322785304/0	2	Support	Supporto	Support	Halter	
40	122446192/0	1	Spring	Molla	Ressort	Feder	

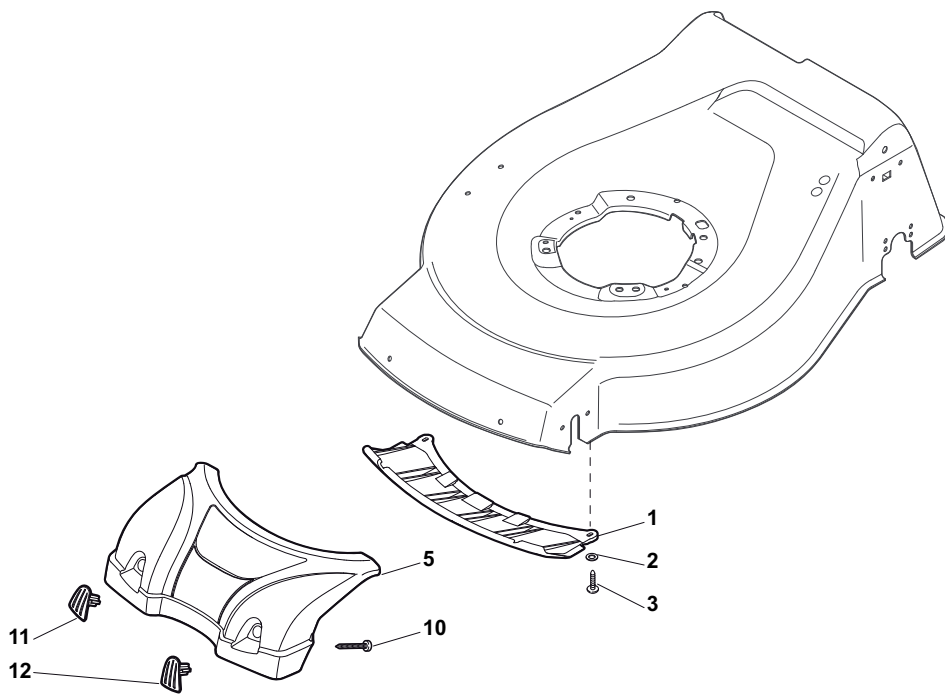


POS	PART. NO	Q.ty	DESCRIPTION	DESCRIZIONE	DESCRIPTION	BESCHREIBUNG	REMARKS
1	322108295/0	1	Stone-Guard	Parasassi	Pare-Pierres	Prallblech	
2	322600195/0	1	Ejection Guard	Protezione Uscita	Protection Sortie	Auswurfschutz	
3	112727803/0	2	Screw	Vite	Vis	Schraube	
4	322806639/0	1	Fulcrum Pin	Fulcro	Point D'Appui	Gelenkpunkt	
5	12154510/0	2	Nut	Dado	Ecrou	Mutter	
6	18203853/0	2	Protection	Cappuccio	Capuchon	Stecker	
7	122450456/0	1	Spring	Molla	Ressort	Feder	
8	122517869/0	1	Pin	Perno	Pivot	Bolzen	
9	12604896/0	2	Crown Fastener	Fissatore A Corona	Fixateur A Couronne	Kronescheibe	

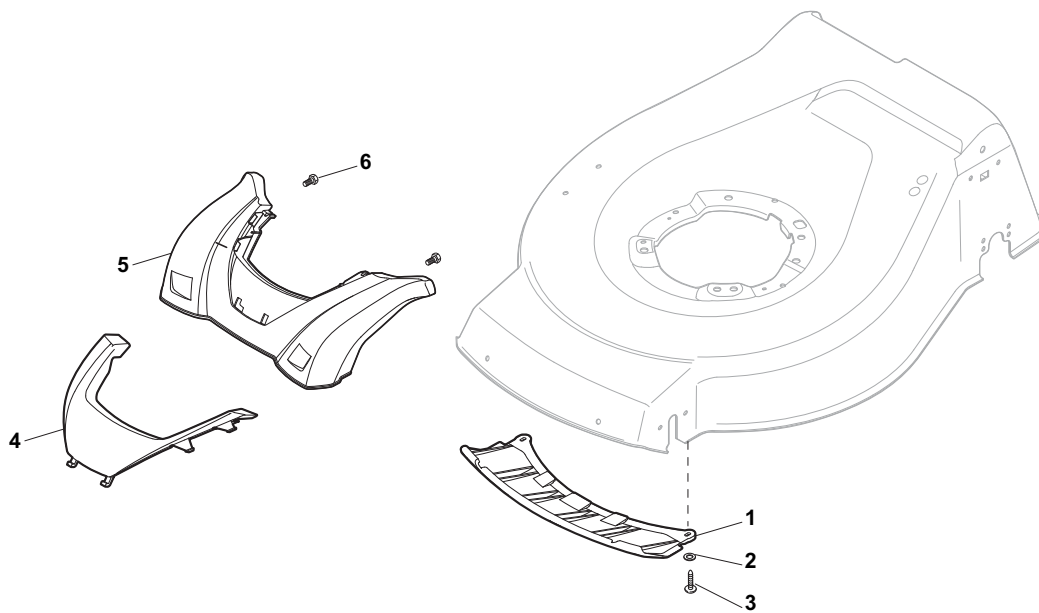




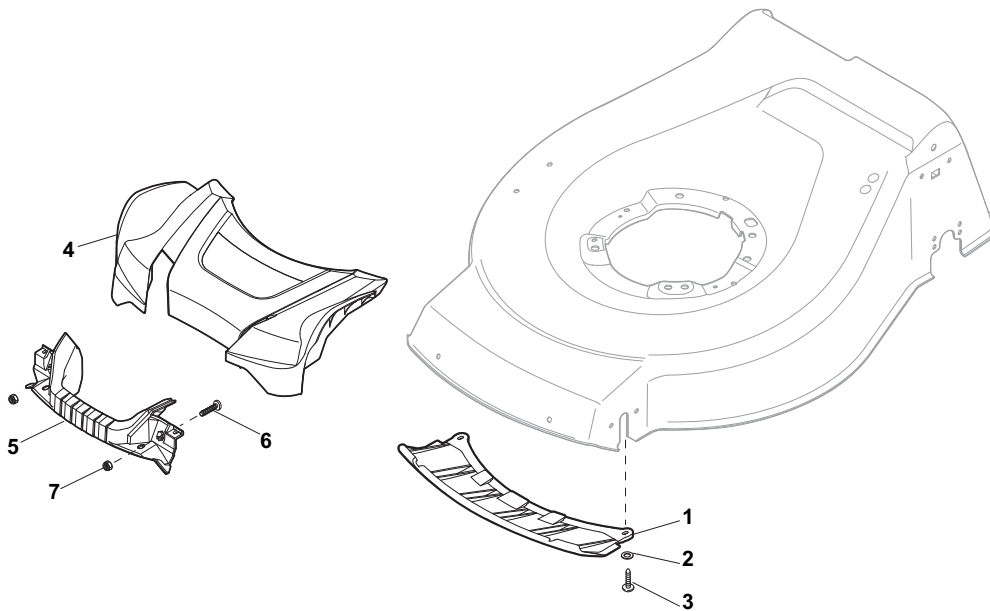
POS	PART. NO	Q.ty	DESCRIPTION	DESCRIZIONE	DESCRIPTION	BESCHREIBUNG	REMARKS
1	322500103/0	1	Front Combi	Pettine Anteriore	Peigne Avant	Vorne Comb	
2	112523000/1	2	Washer	Rosetta	Rondelle	Scheibe	
3	12728124/0	2	Screw	Vite	Vis	Schraube	
5	322226145/0	1	Mask, Red	Mascherina, Rosso	Mesque, Rouge	Maske, Rot	
5	322226154/0	1	Mask, Black	Mascherina, Nero	Mesque, Noire	Maske, Schwarz	
5	322226146/0	1	Mask, Black	Mascherina, Nero	Mesque, Noire	Maske, Schwarz	
5	322226152/0	1	Mask, Yellow	Mascherina, Giallo	Mesque, Jaune	Maske, Gelb	
6	112727799/0	2	Screw	Vite	Vis	Schraube	
7	322393638/0	1	Handle, Black	Maniglia, Nero	Poignee, Noire	Griff, Schwarz	
7	322393640/0	1	Handle, Yellow	Maniglia, Gialla	Poignee, Jaune	Griff, Gelb	
7	322393639/0	1	Handle, Grey	Maniglia, Grigio	Poignee, Gris	Griff, Grau	
8	12154510/0	2	Nut	Dado	Ecrou	Mutter	



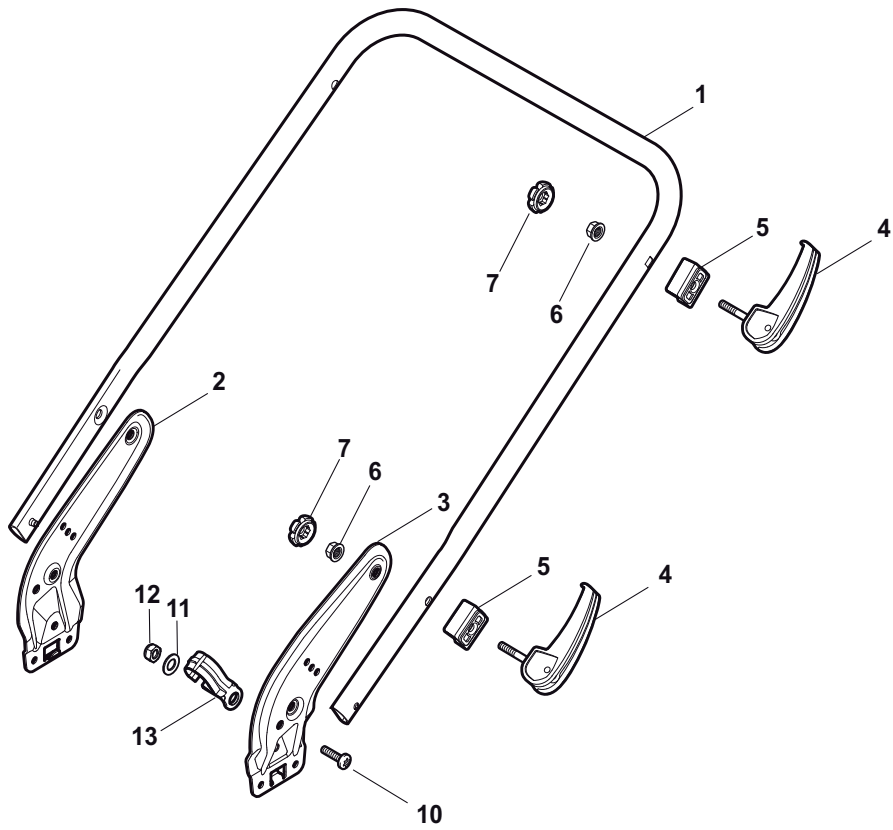
POS	PART. NO	Q.ty	DESCRIPTION	DESCRIZIONE	DESCRIPTION	BESCHREIBUNG	REMARKS
1	322500103/0	1	Front Combi	Pettine Anteriore	Peigne Avant	Vorne Comb	
2	112523000/1	2	Washer	Rosetta	Rondelle	Scheibe	
3	12728124/0	2	Screw	Vite	Vis	Schraube	
5	322226146/0	1	Mask, Black	Mascherina, Nero	Mesque, Noire	Maske, Schwarz	
5	322226152/0	1	Mask, Yellow	Mascherina, Giallo	Mesque, Jaune	Maske, Gelb	
5	322226145/0	1	Mask, Red	Mascherina, Rosso	Mesque, Rouge	Maske, Rot	
5	322226154/0	1	Mask, Black	Mascherina, Nero	Mesque, Noire	Maske, Schwarz	
10	112728697/0	2	Screw	Vite	Vis	Schraube	
11	322820082/0	1	Cap	Tappo	Bouchon	Gummistopfen	
12	322820083/0	1	Cap	Tappo	Bouchon	Gummistopfen	



POS	PART. NO	Q.ty	DESCRIPTION	DESCRIZIONE	DESCRIPTION	BESCHREIBUNG	REMARKS
1	322500103/0	1	Front Combi	Pettine Anteriore	Peigne Avant	Vorne Comb	
2	112523000/1	2	Washer	Rosetta	Rondelle	Scheibe	
3	12728124/0	2	Screw	Vite	Vis	Schraube	
4	322226167/0	1	Frontal Plate	Placca Frontale	Plaque Frontale	Frontplatte	
5	322226166/0	1	Mask, Black	Mascherina, Nero	Mesque, Noire	Maske, Schwarz	
6	12728300/0	2	Screw	Vite	Vis	Schraube	

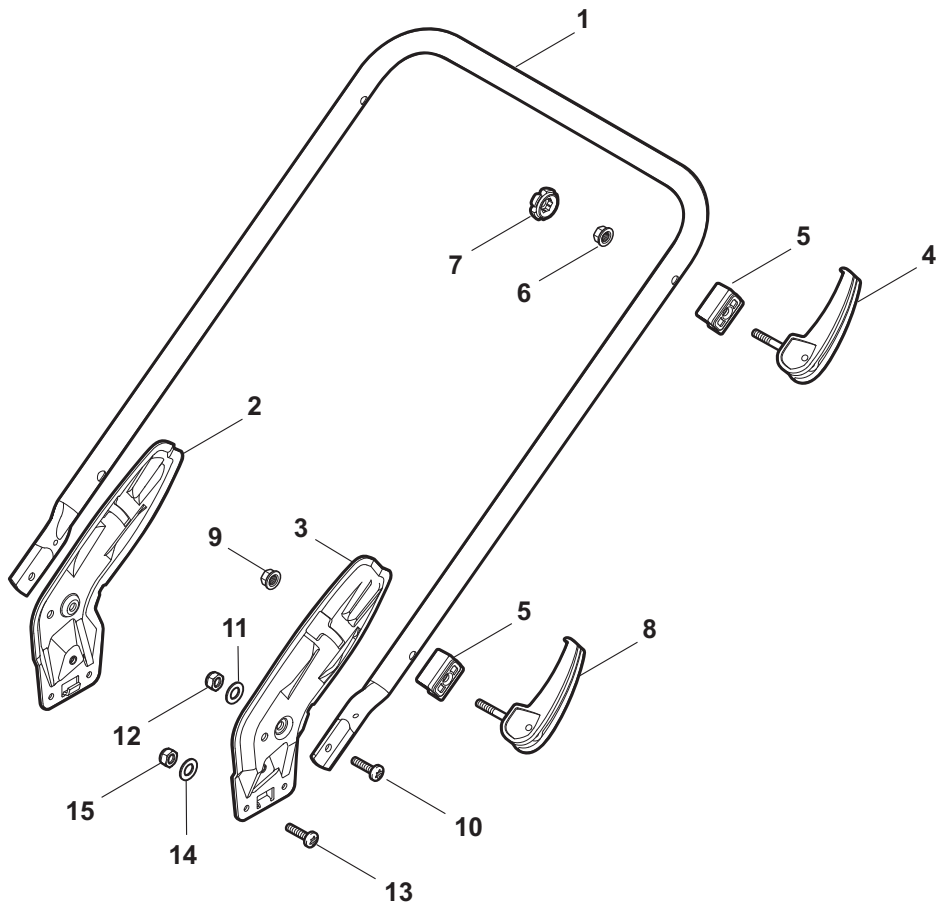


POS	PART. NO	Q.ty	DESCRIPTION	DESCRIZIONE	DESCRIPTION	BESCHREIBUNG	REMARKS
1	322500103/0	1	Front Combi	Pettine Anteriore	Peigne Avant	Vorne Comb	
2	112523000/1	2	Washer	Rosetta	Rondelle	Scheibe	
3	12728124/0	2	Screw	Vite	Vis	Schraube	
4	322226158/0	1	Mask, Black	Mascherina, Nero	Mesque, Noire	Maske, Schwarz	
5	322393642/0	1	Bumper	Bumper	Bumper	Bumper	
6	12727799/0	2	Screw	Vite	Vis	Schraube	
7	12154510/0	2	Nut	Dado	Ecrou	Mutter	

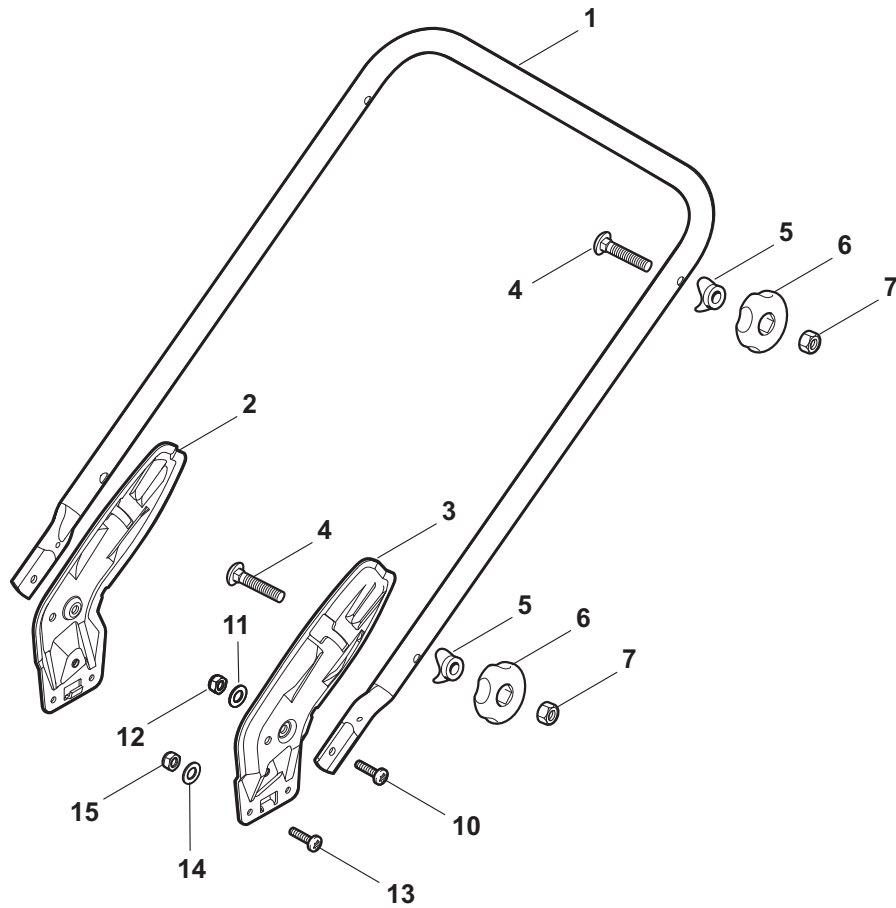




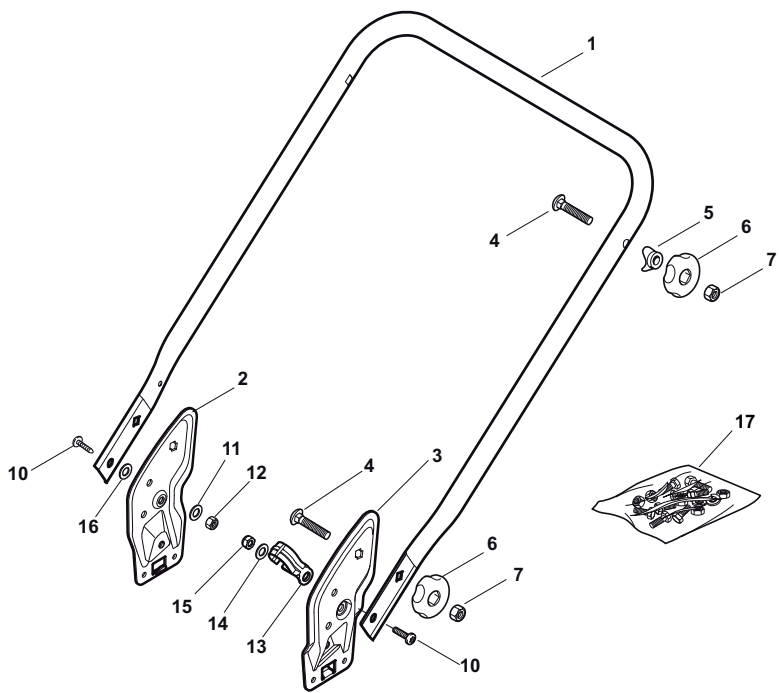
POS	PART. NO	Q.ty	DESCRIPTION	DESCRIZIONE	DESCRIPTION	BESCHREIBUNG	REMARKS
1	381006719/0	1	Handle, Lower Part	Manico, Parte Inf	Mancheron, Partie Inferieure	Holm, Unterteil	Black
1	381006720/0	1	Handle, Lower Part	Manico, Parte Inf	Mancheron, Partie Inferieure	Holm, Unterteil	Grey
2	381005149/0	1	Bracket, R	Staffa Dx	Bride D	Pratze, Rechte	
3	381005151/0	1	Bracket, L	Staffa Sx	Bride G	Pratze, Linke	
4	381003253/0	4	Handle	Maniglia	Poignee	Griff	
5	322680016/0	4	Support	Supporto	Support	Halter	
6	22131750/0	4	Nut	Dado	Ecrou	Mutter	
7	322399835/0	4	Knob	Manopolina	Poignée	Griff	
10	12760605/0	2	Screw	Vite	Vis	Schraube	
11	25038002/1	1	Bush	Bussola	Douille	Buchse	
12	12155000/0	2	Nut	Dado	Ecrou	Mutter	
13	322192156/0	1	Fair Led	Fascetta	Fixation De Cable	Kabelbefestigung	



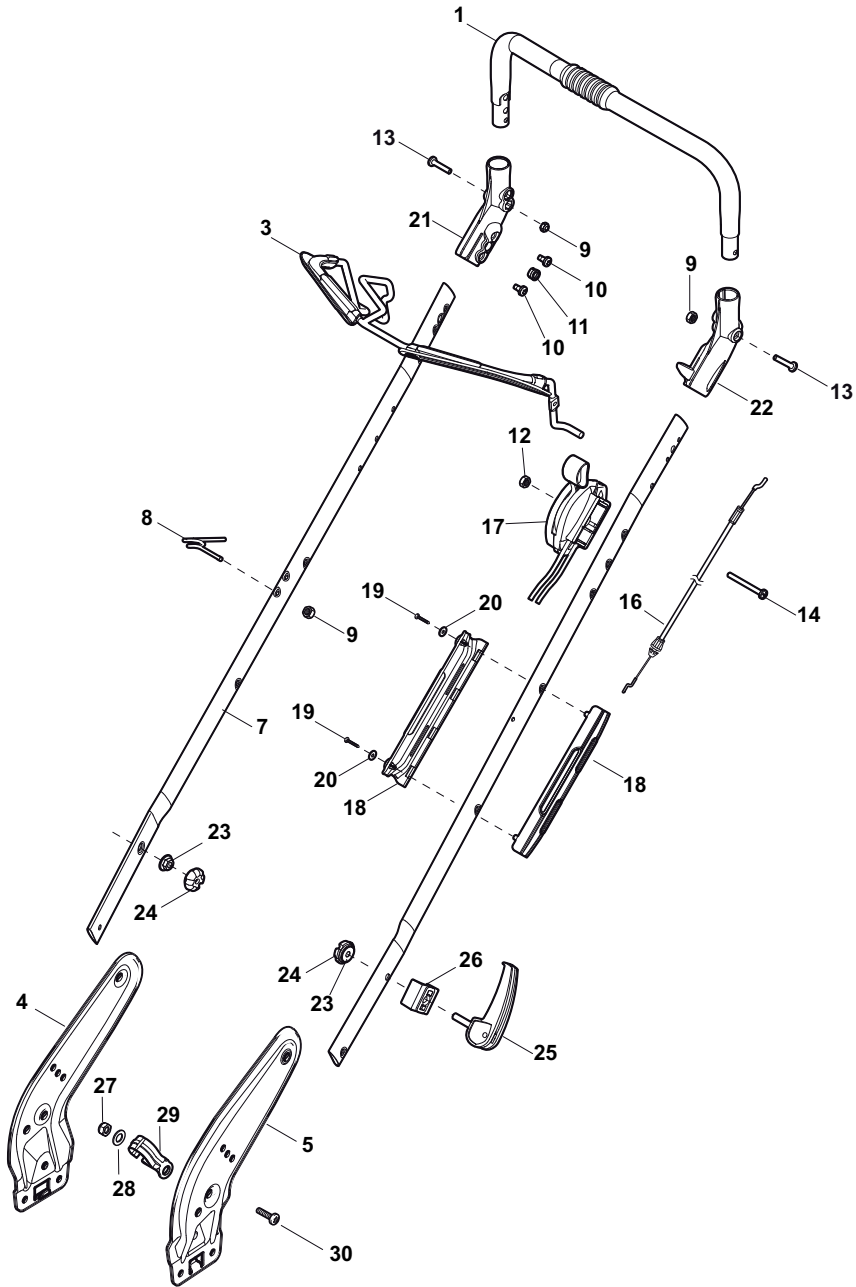
POS	PART. NO	Q.ty	DESCRIPTION	DESCRIZIONE	DESCRIPTION	BESCHREIBUNG	REMARKS
1	381006891/0	1	Handle, Lower Part	Manico, Parte Inf	Mancheron, Partie Infer	Holm, Unterteil	
2	381005125/0	1	Bracket, R	Staffa Dx	Bride D	Pratze, Rechte	
3	381005127/0	1	Bracket, L	Staffa Sx	Bride G	Pratze, Linke	
4	381003253/0	2	Handle	Maniglia	Poignee	Griff	
5	322680016/0	4	Support	Supporto	Support	Halter	
6	22131750/0	2	Nut	Dado	Ecrou	Mutter	
7	322399835/0	2	Knob	Manopolina	Poignée	Griff	
8	381003254/0	1	Handle	Maniglia	Poignee	Griff	
9	112154220/0	2	Nut	Dado	Ecrou	Mutter	
10	12760605/0	2	Screw	Vite	Vis	Schraube	
11	12521350/0	2	Washer	Rosetta	Rondelle	Scheibe	
12	12155000/0	2	Nut	Dado	Ecrou	Mutter	
13	112727803/0	6	Screw	Vite	Vis	Schraube	
14	12523040/0	6	Washer	Rosetta	Rondelle	Scheibe	
15	12154510/0	6	Nut	Dado	Ecrou	Mutter	



POS	PART. NO	Q.ty	DESCRIPTION	DESCRIZIONE	DESCRIPTION	BESCHREIBUNG	REMARKS
1	381006891/0	1	Handle, Lower Part	Manico, Parte Inf	Mancheron, Partie Inf.	Holm, Unterteil	
2	381005125/0	1	Bracket, R	Staffa Dx	Bride D	Pratze, Rechte	
3	381005127/0	1	Bracket, L	Staffa Sx	Bride G	Pratze, Linke	
4	12819120/0	4	Screw	Vite	Vis	Schraube	
5	22680006/1	4	Washer	Rosetta	Rondelle	Scheibe	
6	322399804/1	4	Knob	Manopolina	Poignée	Griff	
7	12293200/0	4	Nut	Dado	Ecrou	Mutter	
10	12760605/0	2	Screw	Vite	Vis	Schraube	
11	12521350/0	2	Washer	Rosetta	Rondelle	Scheibe	
12	12155000/0	2	Nut	Dado	Ecrou	Mutter	
13	112727803/0	6	Screw	Vite	Vis	Schraube	
14	12523040/0	6	Washer	Rosetta	Rondelle	Scheibe	
15	12154510/0	6	Nut	Dado	Ecrou	Mutter	

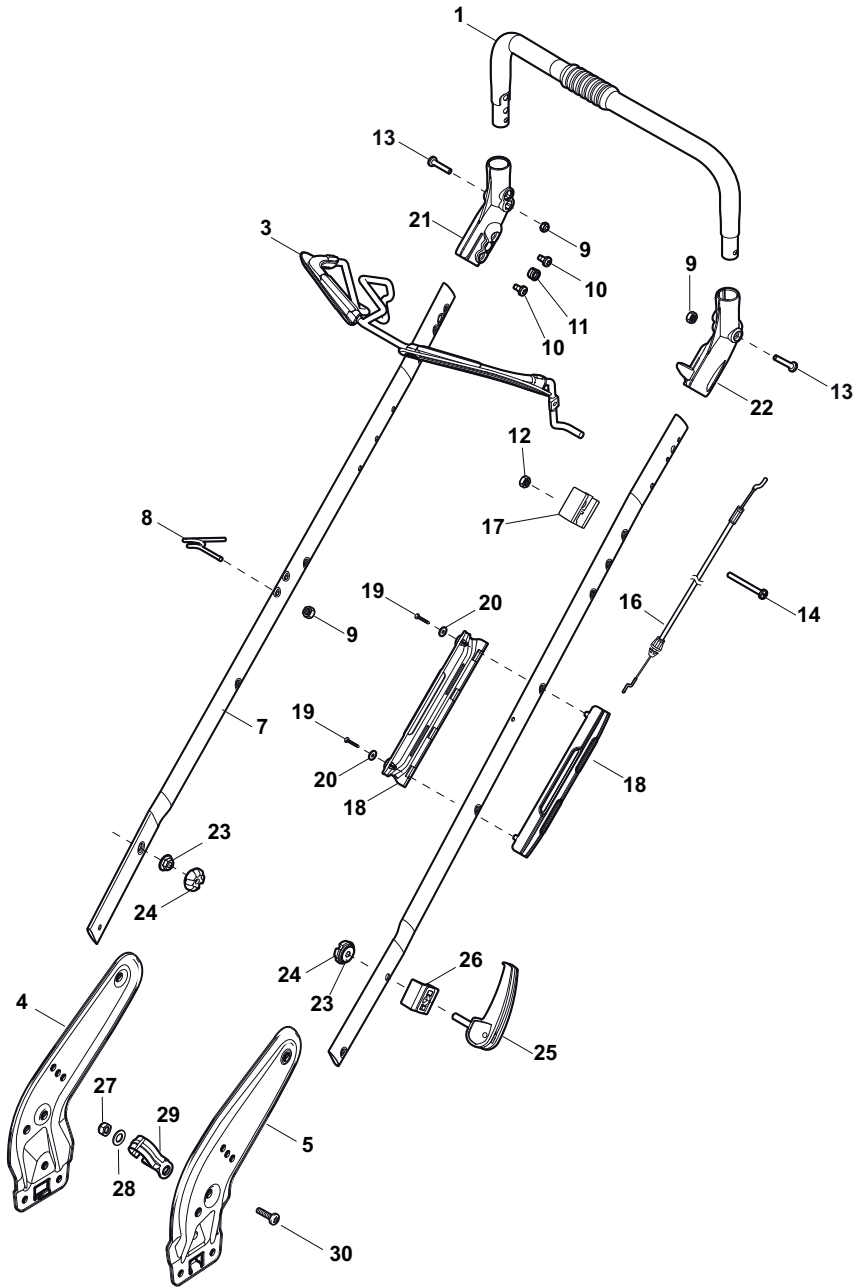


POS	PART. NO	Q.ty	DESCRIPTION	DESCRIZIONE	DESCRIPTION	BESCHREIBUNG	REMARKS
1	381007043/0	1	Handle, Lower Part	Manico, Parte Inf	Mancheron, Partie Inf.	Holm, Unterteil	
2	381005133/0	1	Bracket, L	Staffa Sx	Bride G	Pratze, Linke	
3	381005135/0	1	Bracket, L	Staffa Sx	Bride G	Pratze, Linke	
4	12819120/0	4	Screw	Vite	Vis	Schraube	
5	22680006/1	4	Washer	Rosetta	Rondelle	Scheibe	
6	322399804/1	4	Knob	Manopolina	Poignée	Griff	
7	12293200/0	4	Nut	Dado	Ecrou	Mutter	
10	12760605/0	3	Screw	Vite	Vis	Schraube	
11	25038002/1	2	Bush	Bussola	Douille	Buchse	
12	12155000/0	2	Nut	Dado	Ecrou	Mutter	
13	322192156/0	1	Fair Led	Fascetta	Fixation De Cable	Kabelbefestigung	
14	12523040/0	1	Washer	Rosetta	Rondelle	Scheibe	
15	12154510/0	1	Nut	Dado	Ecrou	Mutter	
16	12369500/0	2	Elastic Washer	Rosetta Elastica	Rondelle Elastique	Elastische Scheibe	
17	381008686/0	1	Outfit, Screws	Dotazione Viteria	Dotation Visserie	Satz, Schrauben	

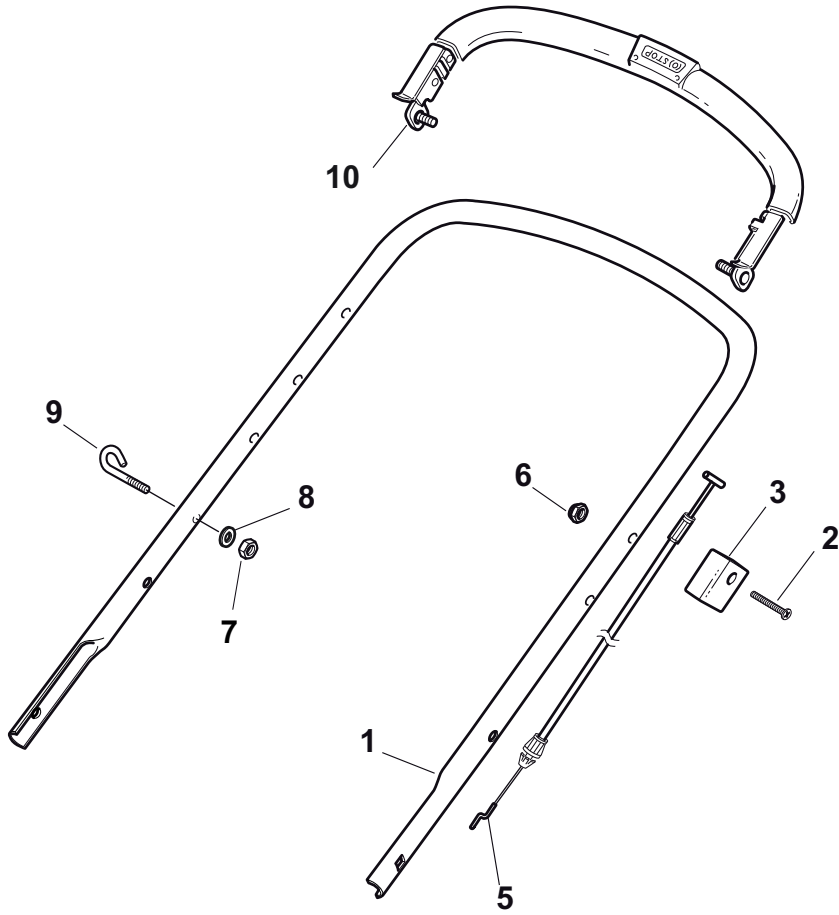




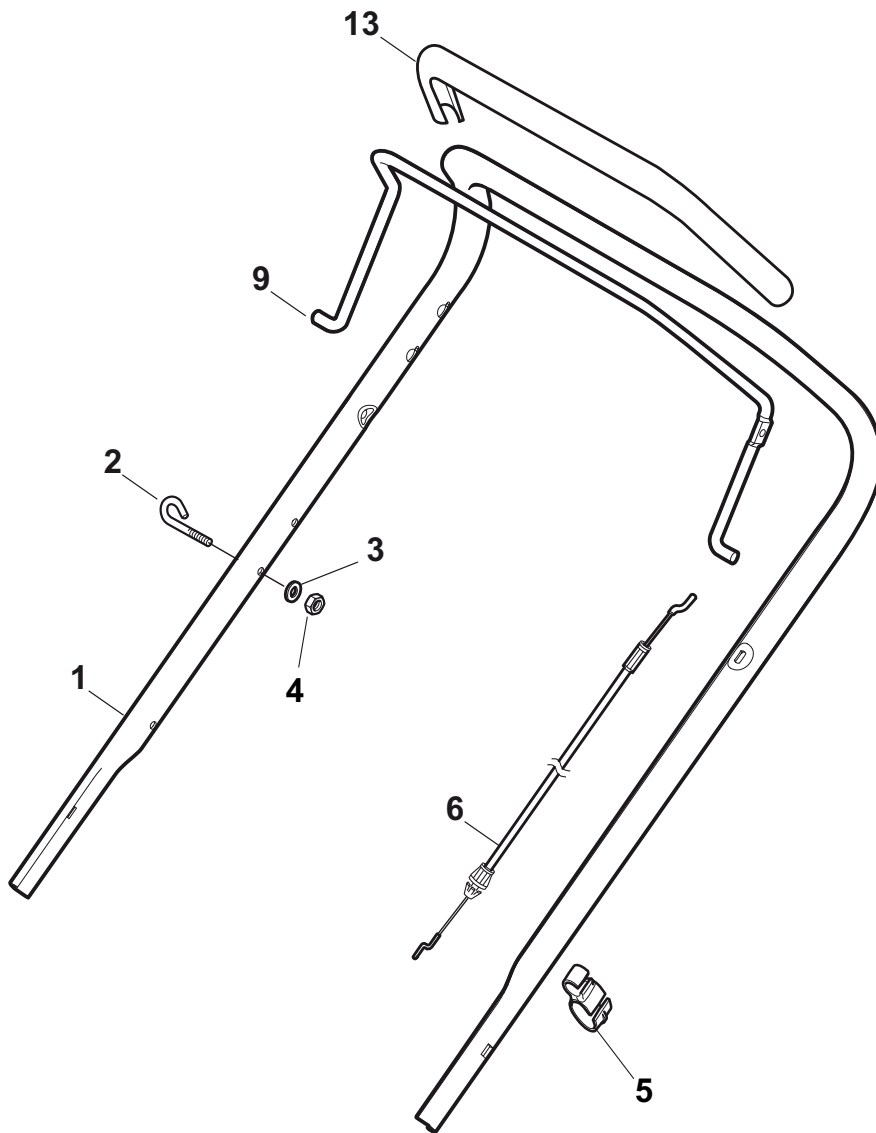
POS	PART. NO	Q.ty	DESCRIPTION	DESCRIZIONE	DESCRIPTION	BESCHREIBUNG	REMARKS
1	381006670/2	1	Handgrip	Impugnatura Manico	Poignée	Handgriff	
3	381003344/0	1	Lever, Engine Brake	Leva Freno Motore	Levier Frein Moteur	Hebel, Motorbremse	
4	381005149/0	1	Bracket, R	Staffa Dx	Bride D	Pratze, Rechte	
5	381005127/0	1	Bracket, L	Staffa Sx	Bride G	Pratze, Linke	
7	381006773/0	2	Handle Black	Manico Nero	Mancheron Noire	Holm Schwarz	
7	381006774/0	2	Handle Grey	Manico Grigio	Mancheron Gris	Holm Grau	
8	22430309/0	1	Guide Spring	Molla Guida	Ressort De Guide	Feder Führer	
9	12154330/0	2	Nut	Dado	Ecrou	Mutter	
10	112735662/1	4	Screw	Vite	Vis	Schraube	
11	322041967/0	2	Bush	Bussola	Douille	Buchse	
12	12154510/0	3	Nut	Dado	Ecrou	Mutter	
13	112728721/0	2	Screw	Vite	Vis	Schraube	
14	12727786/0	1	Screw	Vite	Vis	Schraube	
16	181030074/0	1	Cable, Thread Engine Brake	Cavo Freno Motore	Cable Frein Moteur	Kabel, Motorbremse	
17	181005502/1	1	Throttle Cable	Cavo Acceleratore	Cable, Accelérateur	Gashebel Kabel	B&S
17	181005513/0	1	Throttle Cable	Cavo Acceleratore	Cable, Accelérateur	Gashebel Kabel	Honda AC
17	181005512/0	1	Throttle Cable	Cavo Acceleratore	Cable, Accelérateur	Gashebel Kabel	GGP-Honda
17	181005525/0	1	Throttle Cable	Cavo Acceleratore	Cable, Accelérateur	Gashebel Kabel	B&S 575
18	322806644/0	1	Protection	Protezione	Protection	Schutz	
19	12727812/0	2	Screw	Vite	Vis	Schraube	
20	112523000/1	2	Washer	Rosetta	Rondelle	Scheibe	
21	322488301/0	1	Support	Supporto	Support	Halter	
22	322488303/0	1	Support	Supporto	Support	Halter	
23	112154220/0	2	Nut	Dado	Ecrou	Mutter	
24	322399835/0	2	Knob	Manopolina	Poignée	Griff	
25	381003253/0	2	Handle	Maniglia	Poignée	Griff	
26	322680017/0	2	Support	Supporto	Support	Halter	
27	12155000/0	1	Nut	Dado	Ecrou	Mutter	
28	25038002/1	1	Bush	Bussola	Douille	Buchse	
29	322192156/0	1	Fair Led	Fascetta	Fixation De Cable	Kabelbefestigung	
30	12760605/0	1	Screw	Vite	Vis	Schraube	



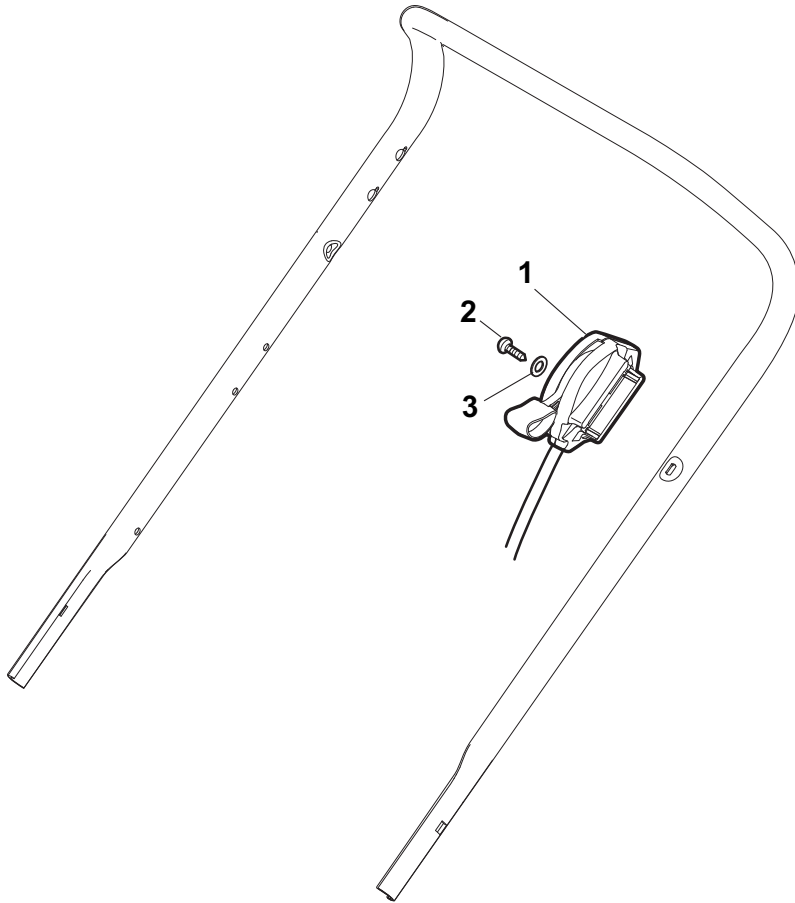
POS	PART. NO	Q.ty	DESCRIPTION	DESCRIZIONE	DESCRIPTION	BESCHREIBUNG	REMARKS
1	381006670/2	1	Handgrip	Impugnatura Manico	Poignée	Handgriff	
3	381003344/0	1	Lever, Engine Brake	Leva Freno Motore	Levier Frein Moteur	Hebel, Motorbremse	
4	381005149/0	1	Bracket, R	Staffa Dx	Bride D	Pratze, Rechte	
5	381005151/0	1	Bracket, L	Staffa Sx	Bride G	Pratze, Linke	
7	381006773/0	1	Handle Black	Manico Nero	Mancheron Noire	Holm Schwarz	
7	381006774/0	1	Handle Grey	Manico Grigio	Mancheron Gris	Holm Grau	
8	22430309/0	1	Guide Spring	Molla Guida	Ressort De Guide	Feder Führer	
9	12154330/0	2	Nut	Dado	Ecrou	Mutter	
10	112735662/1	4	Screw	Vite	Vis	Schraube	
11	322041967/1	2	Bush	Bussola	Douille	Buchse	
12	12154510/0	3	Nut	Dado	Ecrou	Mutter	
13	112728721/0	2	Screw	Vite	Vis	Schraube	
14	12727784/0	1	Screw	Vite	Vis	Schraube	
16	181030074/0	1	Cable, Thread Engine Brake	Cavo Freno Motore	Cable Frein Moteur	Kabel, Motorbremse	
17	322551639/0	1	Plate	Piastrina	Plaquette	Plättchen	
18	322806644/0	1	Protection	Protezione	Protection	Schutz	
19	12727812/0	2	Screw	Vite	Vis	Schraube	
20	112523000/1	2	Washer	Rosetta	Rondelle	Scheibe	
21	322488301/0	1	Support	Supporto	Support	Halter	
22	322488303/0	1	Support	Supporto	Support	Halter	
23	112154220/0	2	Nut	Dado	Ecrou	Mutter	
24	322399835/0	2	Knob	Manopolina	Poignée	Griff	
25	381003253/0	2	Handle	Maniglia	Poignee	Griff	
26	322680017/0	2	Support	Supporto	Support	Halter	
27	12155000/0	1	Nut	Dado	Ecrou	Mutter	
28	25038002/1	1	Bush	Bussola	Douille	Buchse	
29	322192156/0	1	Fair Led	Fascetta	Fixation De Cable	Kabelbefestigung	
30	12760605/0	1	Screw	Vite	Vis	Schraube	



POS	PART. NO	Q.ty	DESCRIPTION	DESCRIZIONE	DESCRIPTION	BESCHREIBUNG	REMARKS
1	81006979/2	1	Handle, Upper Part	Manico, Parte Sup	Mancheron, Partie Superieure	Holm, Oberteil	
2	12727787/0	1	Screw	Vite	Vis	Schraube	
3	22551640/0	1	Plate	Piastrina	Plaquette	Plättchen	
5	181030056/0	1	Cable, Thread Engine Brake	Cavo Freno Motore	Cable Frein Moteur	Kabel, Motorbremse	GGP150cc
5	181030057/0	1	Cable, Thread Engine Brake	Cavo Freno Motore	Cable Frein Moteur	Kabel, Motorbremse	GGP-B&S-Honda
6	12154510/0	1	Nut	Dado	Ecrou	Mutter	
7	12154510/0	1	Nut	Dado	Ecrou	Mutter	
8	12521330/0	1	Washer	Rosetta	Rondelle	Scheibe	
9	22430313/0	1	Guide Spring	Molla Guida	Ressort De Guide	Feder Führer	
10	381003330/0	1	Lever, Engine Brake	Leva Freno Motore	Levier Frein Moteur	Hebel, Motorbremse	

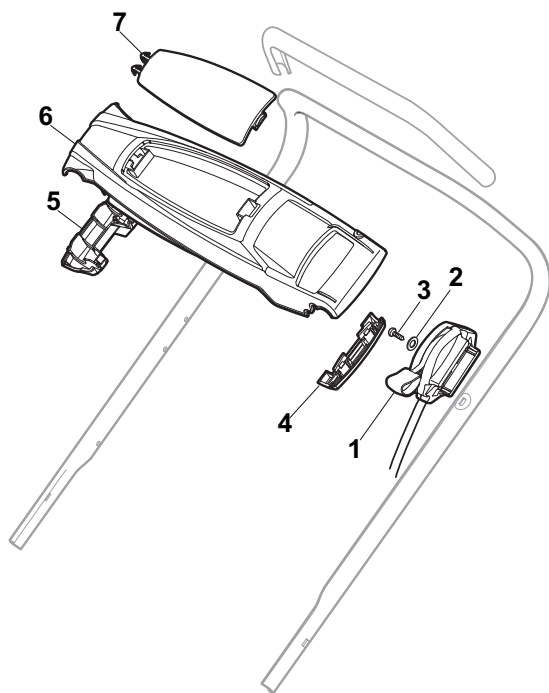


POS	PART. NO	Q.ty	DESCRIPTION	DESCRIZIONE	DESCRIPTION	BESCHREIBUNG	REMARKS
1	381007520/0	1	Handle, Upper Part	Manico, Parte Sup	Mancheron, Partie Superieure	Holm, Oberteil	
2	22430313/0	1	Guide Spring	Molla Guida	Ressort De Guide	Feder Führer	
3	12521330/0	1	Washer	Rosetta	Rondelle	Scheibe	
4	12154510/0	1	Nut	Dado	Ecrou	Mutter	
5	118390020/0	1	Fairlead	Fermacavo	Fixation Cable	Kabelbefestigung	
6	181030053/0	1	Cable, Thread Engine Brake	Cavo Freno Motore	Cable Frein Moteur	Kabel, Motorbremse	GGP-B&S
6	181030054/0	1	Cable, Thread Engine Brake	Cavo Freno Motore	Cable Frein Moteur	Kabel, Motorbremse	GGP150cc
6	181030070/0	1	Cable, Thread Engine Brake	Cavo Freno Motore	Cable Frein Moteur	Kabel, Motorbremse	Honda
9	181003363/1	1	Lever, Engine Brake Black	Leva Freno Motore Nero	Levier Frein Moteur Noire	Hebel, Motorbremse, Schwarz	
13	22291050/0	1	Handgrip Black	Impugnatura Manico Nera	Poignée Noire	Handgriff Schwarz	

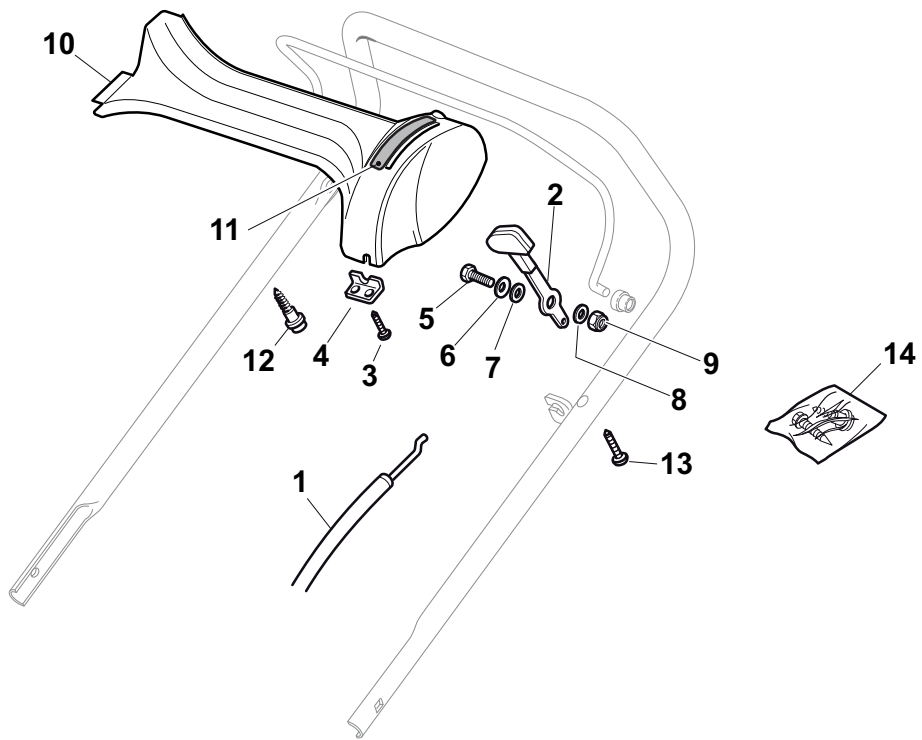




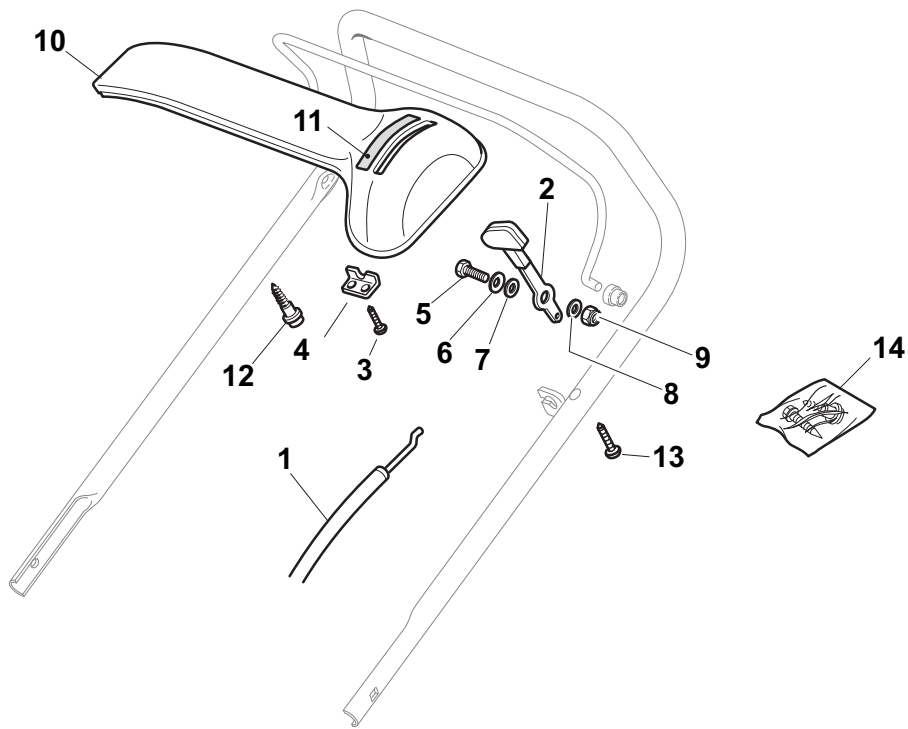
POS	PART. NO	Q.ty	DESCRIPTION	DESCRIZIONE	DESCRIPTION	BESCHREIBUNG	REMARKS
1	181005501/1	1	Throttle Cable	Cavo Acceleratore	Cable, Accelérateur	Gashebel Kabel	GGP
1	181005501/1	1	Throttle Cable	Cavo Acceleratore	Cable, Accelérateur	Gashebel Kabel	Honda
1	181005502/1	1	Throttle Cable	Cavo Acceleratore	Cable, Accelérateur	Gashebel Kabel	B&S
1	181005503/1	1	Throttle Cable	Cavo Acceleratore	Cable, Accelérateur	Gashebel Kabel	Honda AC
1	181005504/1	1	Throttle Cable	Cavo Acceleratore	Cable, Accelérateur	Gashebel Kabel	GGP150cc
1	181005515/0	1	Throttle Cable	Cavo Acceleratore	Cable, Accelérateur	Gashebel Kabel	B&S E Series
1	181005537/0	1	Throttle Cable	Cavo Acceleratore	Cable, Accelérateur	Gashebel Kabel	GGP100cc
2	12735103/0	1	Screw	Vite	Vis	Schraube	
3	12523040/0	1	Washer	Rosetta	Rondelle	Scheibe	



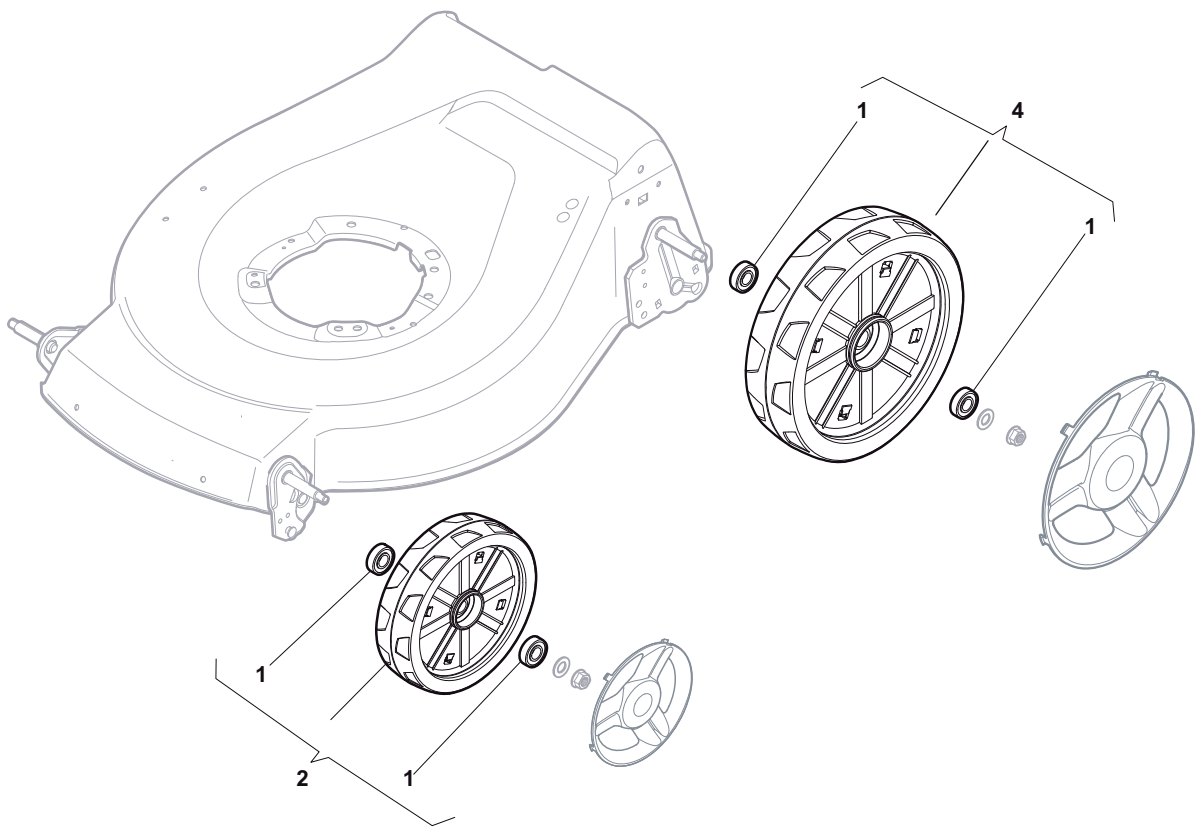
POS	PART. NO	Q.ty	DESCRIPTION	DESCRIZIONE	DESCRIPTION	BESCHREIBUNG	REMARKS
1	181005501/1	1	Throttle Cable	Cavo Acceleratore	Cable, Accelérateur	Gashebel Kabel	GGP-Honda
1	181005502/1	1	Throttle Cable	Cavo Acceleratore	Cable, Accelérateur	Gashebel Kabel	B&S
1	181005503/1	1	Throttle Cable	Cavo Acceleratore	Cable, Accelérateur	Gashebel Kabel	Honda AC
1	181005504/1	1	Throttle Cable	Cavo Acceleratore	Cable, Accelérateur	Gashebel Kabel	GGP150cc
1	181005515/0	1	Throttle Cable	Cavo Acceleratore	Cable, Accelérateur	Gashebel Kabel	B&S 575
1	181005520/1	1	Throttle Cable	Cavo Acceleratore	Cable, Accelérateur	Gashebel Kabel	DOV 750
1	181005523/0	1	Throttle Cable	Cavo Acceleratore	Cable, Accelérateur	Gashebel Kabel	DOV 850
1	181005537/0	1	Throttle Cable	Cavo Acceleratore	Cable, Accelérateur	Gashebel Kabel	GGP100cc
2	112154510/0	1	Nut	Dado	Ecrou	Mutter	
3	112727788/0	1	Screw	Vite	Vis	Schraube	
4	322546055/0	1	Plate	Piastrina	Plaquette	Plättchen	Red
4	322546057/0	1	Plate	Piastrina	Plaquette	Plättchen	Yellow
5	322546054/0	1	Plate	Piastrina	Plaquette	Plättchen	Red
5	322546056/0	1	Plate	Piastrina	Plaquette	Plättchen	Yellow
6	322120190/0	1	Dash Board Red	Cruscotto Rosso	Console Rouge	Konsole Rote	Red
6	322120192/0	1	Dash Board Cover	Copertura Cruscotto	Console Couverture	Konsole Haube	Yellow
7	322120191/0	1	Dash Board Yellow	Cruscotto Giallo	Console Jaune	Konsole Gelbe	



POS	PART. NO	Q.ty	DESCRIPTION	DESCRIZIONE	DESCRIPTION	BESCHREIBUNG	REMARKS
1	81007160/0	1	Throttle Cable	Cavo Acceleratore	Cable, Accelérateur	Gashebel Kabel	
2	81007280/2	1	Lever, Throttle	Leva, Acceleratore	Levier,	Hebel, Beshleuniger	B&S-GGP-Honda
2	81007221/0	1	Lever, Throttle	Leva, Acceleratore	Levier,	Hebel, Beshleuniger	GGP 150cc - B&S450-500
3	12735105/0	2	Screw	Vite	Vis	Schraube	
4	22981467/0	1	Plate	Piastrina	Plaquette	Platte	
5	12791500/0	1	Screw	Vite	Vis	Schraube	
6	12530060/0	1	Elastic Washer	Rosetta Elastica	Rondelle Elastique	Elastische Scheibe	
7	12523040/0	1	Washer	Rosetta	Rondelle	Scheibe	
8	12523040/0	1	Washer	Rosetta	Rondelle	Scheibe	
9	12154510/0	1	Nut	Dado	Ecrou	Mutter	
10	22120152/0	1	Dash Board Yellow	Cruscotto Giallo	Console Jaune	Konsole Gelbe	
10	22120154/0	1	Dash Board Red	Cruscotto Rosso	Console Rouge	Konsole Rote	
10	22120158/0	1	Dash Board Black	Cruscotto Nero	Console Noire	Konsole Schwarze	
11	114356744/1	1	Label	Etichetta	Etiquette	Etikette	B&S
11	114356906/1	1	Label	Etichetta	Etiquette	Etikette	B&S DOV
11	114356743/1	1	Label	Etichetta	Etiquette	Etikette	GGP
11	114356743/1	1	Label	Etichetta	Etiquette	Etikette	Honda
11	114357646/1	1	Label	Etichetta	Etiquette	Etikette	Honda AC
12	22943006/0	1	Screw	Vite	Vis	Schraube	
13	12728460/0	1	Screw	Vite	Vis	Schraube	
14	81008609/0	1	Outfit, Dash-Board Screws	Dotazione Viteria Cruscotto	Dotation Visserie Console	Satz, Konsole Schrauben	

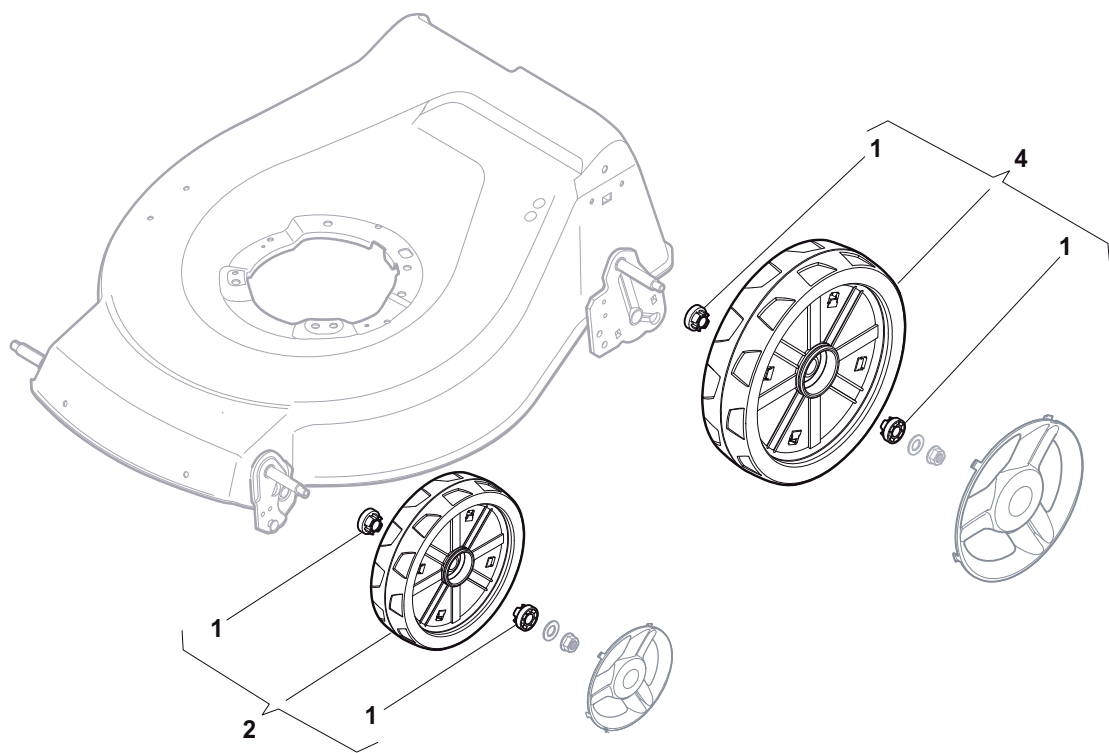


POS	PART. NO	Q.ty	DESCRIPTION	DESCRIZIONE	DESCRIPTION	BESCHREIBUNG	REMARKS
1	81007160/0	1	Throttle Cable	Cavo Acceleratore	Cable, Accelérateur	Gashebel Kabel	
2	81007280/2	1	Lever, Throttle	Leva, Acceleratore	Levier,	Hebel, Beshleuniger	B&S-GGP-Honda
2	81007221/0	1	Lever, Throttle	Leva, Acceleratore	Levier,	Hebel, Beshleuniger	GGP 150cc - B&S450-500
3	12735105/0	2	Screw	Vite	Vis	Schraube	
4	22981467/0	1	Plate	Piastrina	Plaquette	Platte	
5	12791500/0	1	Screw	Vite	Vis	Schraube	
6	12530060/0	1	Elastic Washer	Rosetta Elastica	Rondelle Elastique	Elastische Scheibe	
7	12523040/0	1	Washer	Rosetta	Rondelle	Scheibe	
8	12523040/0	1	Washer	Rosetta	Rondelle	Scheibe	
9	12154510/0	1	Nut	Dado	Ecrou	Mutter	
10	322120189/0	1	Dash Board Red	Cruscotto Rosso	Console Rouge	Konsole Rote	
11	114356744/1	1	Label	Etichetta	Etiquette	Etikette	B&S
11	114356906/1	1	Label	Etichetta	Etiquette	Etikette	B&S DOV
11	114356743/1	1	Label	Etichetta	Etiquette	Etikette	GGP
11	114356743/1	1	Label	Etichetta	Etiquette	Etikette	Honda
11	114357646/1	1	Label	Etichetta	Etiquette	Etikette	Honda AC
12	22943006/0	1	Screw	Vite	Vis	Schraube	
13	12728460/0	1	Screw	Vite	Vis	Schraube	
14	81008609/0	1	Outfit, Dash-Board Screws	Dotazione Viteria Cruscotto	Dotation Visserie Console	Satz, Konsole Schrauben	

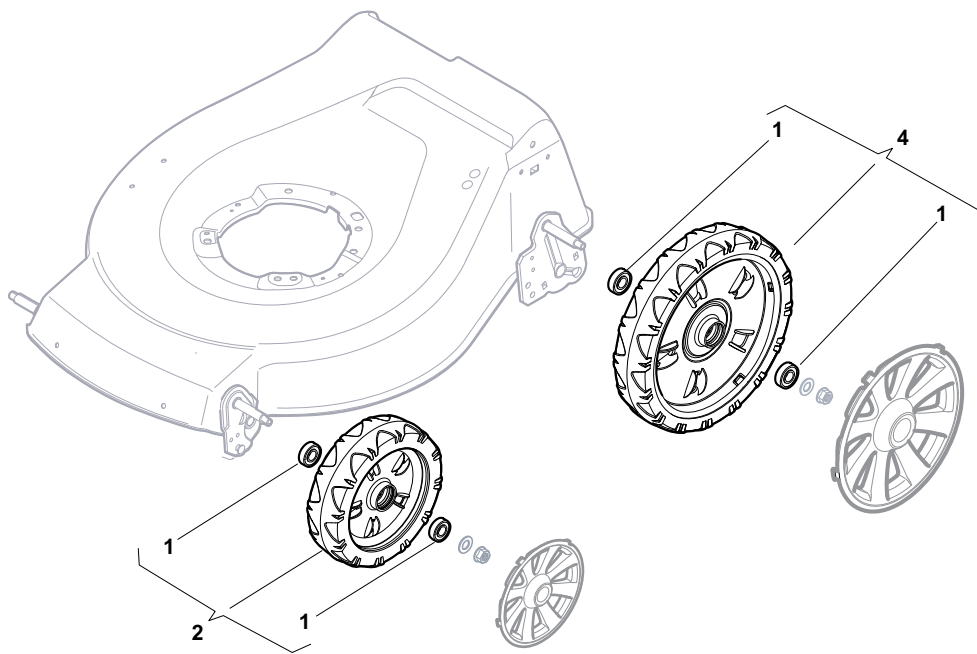




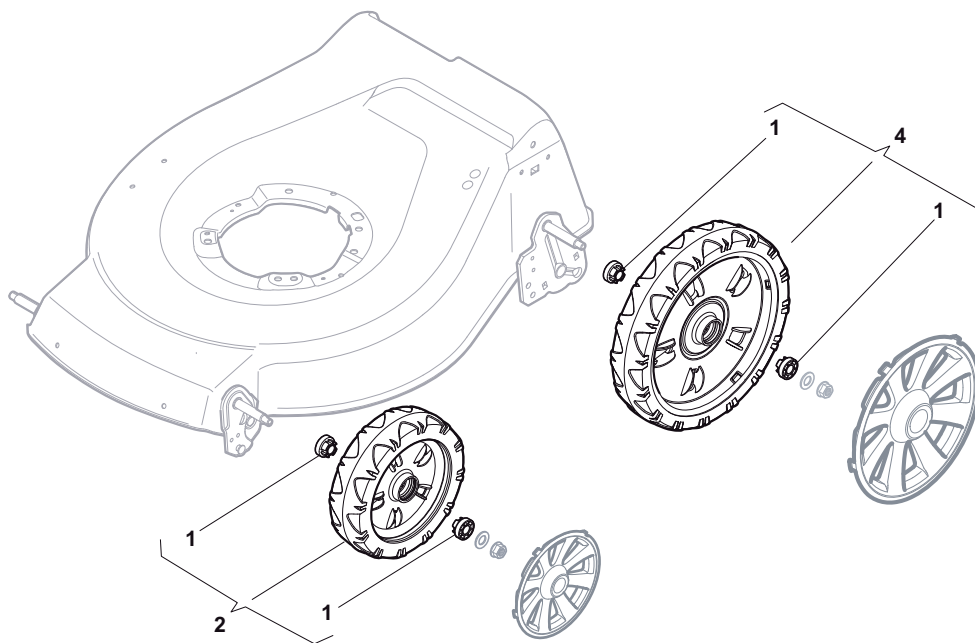
POS	PART. NO	Q.ty	DESCRIPTION	DESCRIZIONE	DESCRIPTION	BESCHREIBUNG	REMARKS
1	119216035/0	2	Bearing	Cuscinetto	Coussinet	Lager	
2	381007483/0	4	Wheel Ø 200	Ruota Ø 200	Roue Ø 200	Rad Ø 200	
4	381007478/0	4	Wheel Ø 280	Ruota Ø 280	Roue Ø 280	Rad Ø 280	



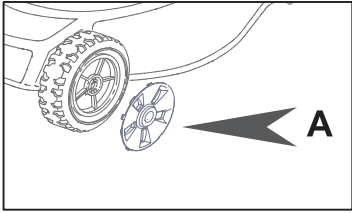
POS	PART. NO	Q.ty	DESCRIPTION	DESCRIZIONE	DESCRIPTION	BESCHREIBUNG	REMARKS
1	322042064/0	8	Bush	Bussola	Douille	Buchse	
2	381007481/0	4	Wheel Ø 200	Ruota Ø 200	Roue Ø 200	Rad Ø 200	
4	381007485/0	4	Wheel Ø 280	Ruota Ø 280	Roue Ø 280	Rad Ø 280	



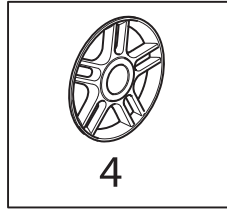
POS	PART. NO	Q.ty	DESCRIPTION	DESCRIZIONE	DESCRIPTION	BESCHREIBUNG	REMARKS
1	19216035/0	8	Bearing	Cuscinetto	Coussinet	Lager	
2	381007416/1	4	Wheel Ø 200	Ruota Ø 200	Roue Ø 200	Rad Ø 200	
4	381007417/1	4	Wheel Ø 280	Ruota Ø 280	Roue Ø 280	Rad Ø 280	



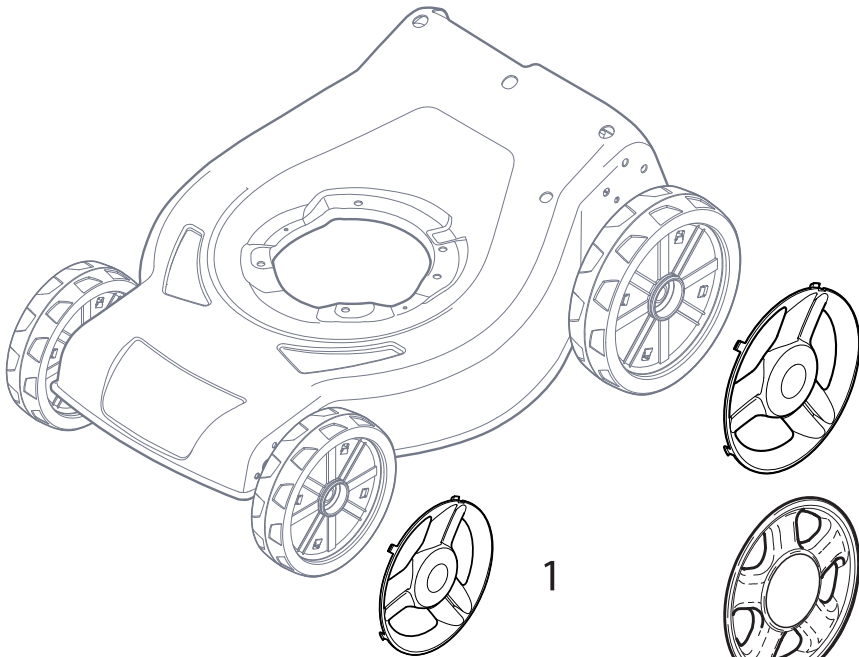
POS	PART. NO	Q.ty	DESCRIPTION	DESCRIZIONE	DESCRIPTION	BESCHREIBUNG	REMARKS
1	322042063/0	8	Bush	Bussola	Douille	Buchse	
2	381007435/0	4	Wheel Ø 200	Ruota Ø 200	Roue Ø 200	Rad Ø 200	
4	381007436/0	4	Wheel Ø 280	Ruota Ø 280	Roue Ø 280	Rad Ø 280	



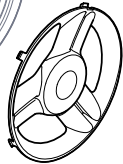
+



= A4



1 ← B



1



2



2



3



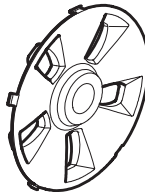
3



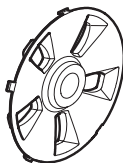
4



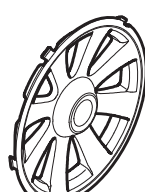
4



5



5



6

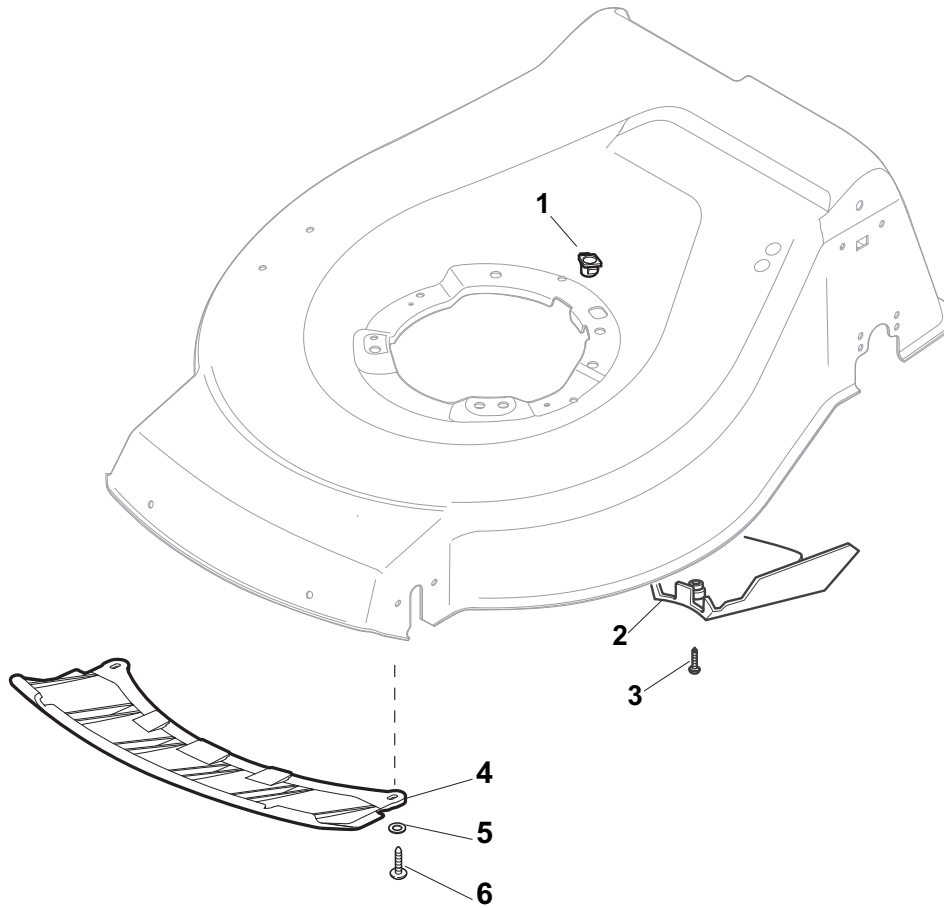


6

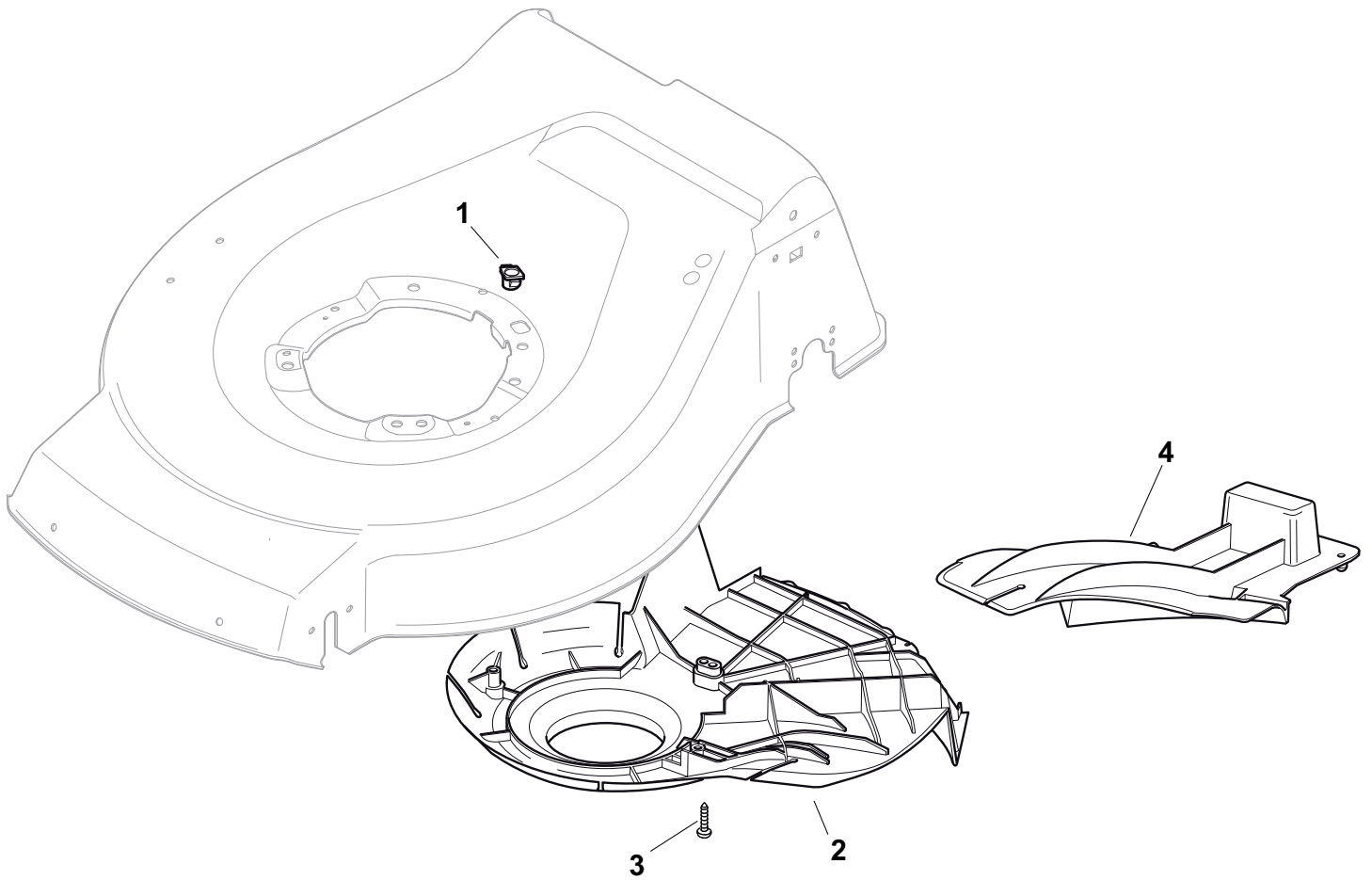
A →



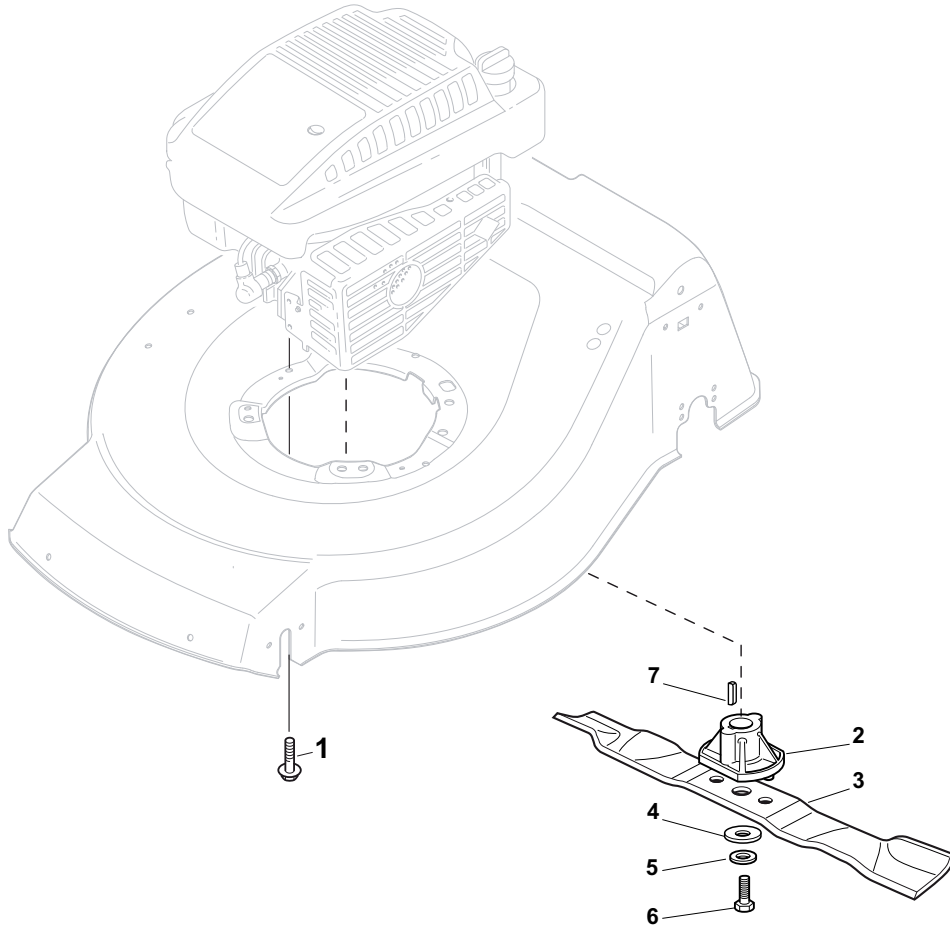
POS	PART. NO	Q.ty	DESCRIPTION	DESCRIZIONE	DESCRIPTION	BESCHREIBUNG	REMARKS
A1	322110687/0	2	Hub Cap Grey	Coprимozzo Grigio	Couvre-Moyeu	Radkappe	
A2	22110382/0	2	Hub Cap Grey	Coprимozzo Grigio	Couvre-Moyeu	Radkappe	
A3	22110417/0	2	Hub Cap Grey	Coprимozzo Grigio	Couvre-Moyeu	Radkappe	
A4	22110492/0	2	Hub Cap Grey	Coprимozzo Grigio	Couvre-Moyeu	Radkappe	
A5	322110643/0	2	Hub Cap Grey	Coprимozzo Grigio	Couvre-Moyeu	Radkappe	
A6	322110645/0	2	Hub Cap Grey	Coprимozzo Grigio	Couvre-Moyeu	Radkappe	
B1	322110641/0	2	Hub Cap Grey	Coprимozzo Grigio	Couvre-Moyeu	Radkappe	
B2	22110511/0	2	Hub Cap Grey	Coprимozzo Grigio	Couvre-Moyeu	Radkappe	
B3	322110590/0	2	Hub Cap Grey	Coprимozzo Grigio	Couvre-Moyeu	Radkappe	
B4	22110560/0	2	Hub Cap Grey	Coprимozzo Grigio	Couvre-Moyeu	Radkappe	
B5	322110644/0	2	Hub Cap Grey	Coprимozzo Grigio	Couvre-Moyeu	Radkappe	
B6	322110646/0	2	Hub Cap Grey	Coprимozzo Grigio	Couvre-Moyeu	Radkappe	



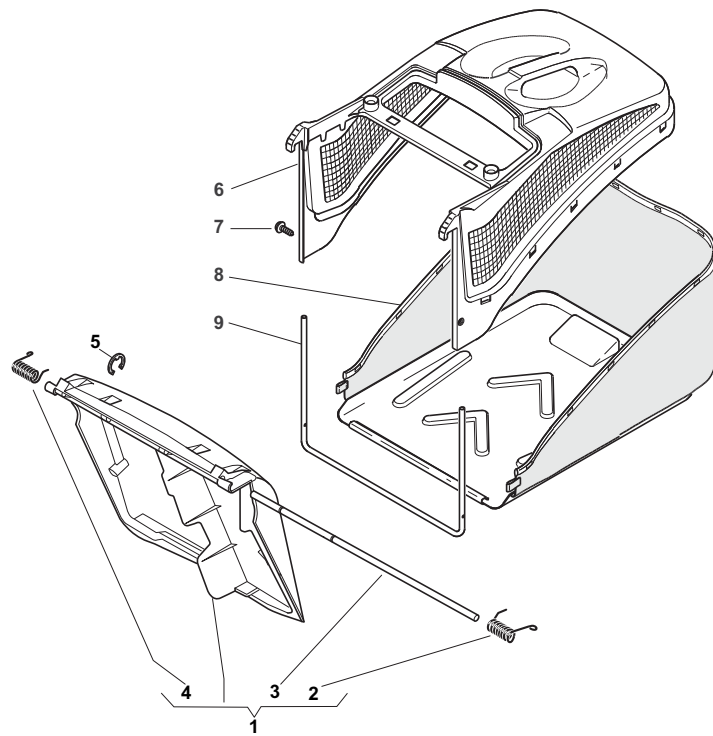
POS	PART. NO	Q.ty	DESCRIPTION	DESCRIZIONE	DESCRIPTION	BESCHREIBUNG	REMARKS
1	22291150/0	1	Rubber Insert	Inserto In Gomma	Insert De	Gummi Einsatz	
2	22060192/0	1	Protection, Belt	Carter Cinghia	Protection	Schutz, Riemen	
3	12728530/0	1	Screw	Vite	Vis	Schraube	



POS	PART. NO	Q.ty	DESCRIPTION	DESCRIZIONE	DESCRIPTION	BESCHREIBUNG	REMARKS
1	22291150/0	1	Rubber Insert	Inserto In Gomma	Insert De	Gummi Einsatz	
2	322060198/1	1	Protection, Belt	Carter Cinghia	Protection	Schutz, Riemen	
3	12728530/0	3	Screw	Vite	Vis	Schraube	
4	22140223/0	1	Deflector	Deflettore	Deflecteur	Deflektor	

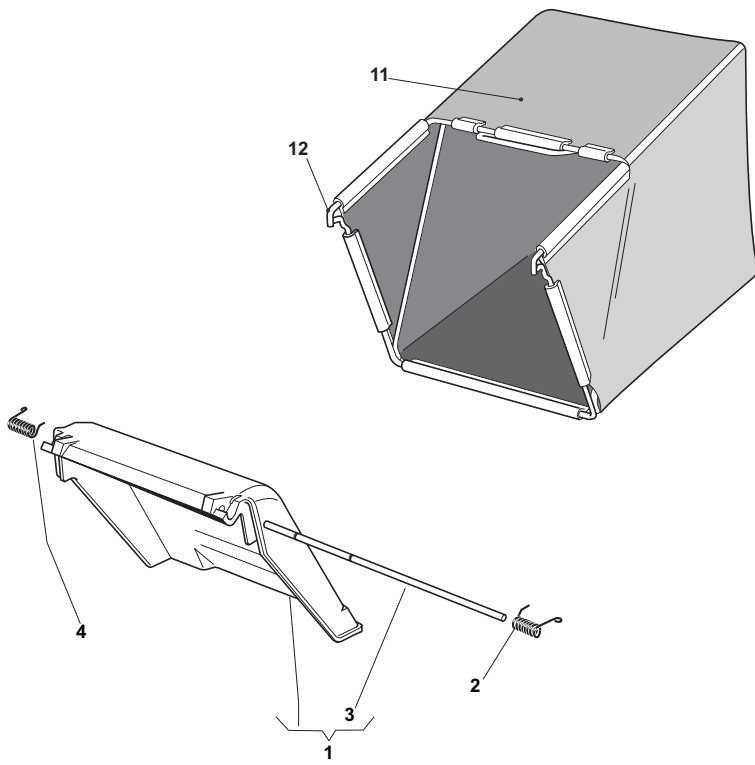


POS	PART. NO	Q.ty	DESCRIPTION	DESCRIZIONE	DESCRIPTION	BESCHREIBUNG	REMARKS
1	112735108/1	3	Screw	Vite	Vis	Schraube	B&S-GGP-Honda
1	112735108/1	2	Screw	Vite	Vis	Schraube	GGP 196cc
1	112735109/1	1	Screw	Vite	Vis	Schraube	GGP 196cc
2	22463012/2	1	Hub, Crankshaft Ø 22.2	Mozzo, Albero Motore Ø 22.2	Moyeu, Arbre Moteur Ø 22.2	Halter, Motorwelle Ø 22.2	B&S-GGP
2	122463020/1	1	Hub, Crankshaft Ø 25	Mozzo, Albero Motore Ø 25	Moyeu, Arbre Moteur Ø 25	Halter, Motorwelle Ø 25	Honda
3	181004458/0	1	Blade Standard	Coltello Standard	Lame Standard	Messer Standard	
3	81004381/1	1	Blade Standard	Coltello Standard	Lame Standard	Messer Standard	
4	22160400/0	1	Elastic Washer	Disco Elastico	Rondelle Elastique	Elastischescheibe	
5	12523080/0	1	Washer	Rosetta	Rondelle	Scheibe	
6	12735698/0	1	Screw	Vite	Vis	Schraube	
7	12139100/0	1	Feather, Crankshaft Ø 22.2	Linguetta, Albero Motore Ø 22.2	Clavette, Arbre Moteur Ø 22.2	Keil, Motorwelle Ø 22.2	B&S-GGP
7	12139150/0	1	Feather, Crankshaft Ø 25	Linguetta, Albero Motore Ø 25	Clavette, Arbre Moteur Ø 25	Keil, Motorwelle Ø 25	Honda

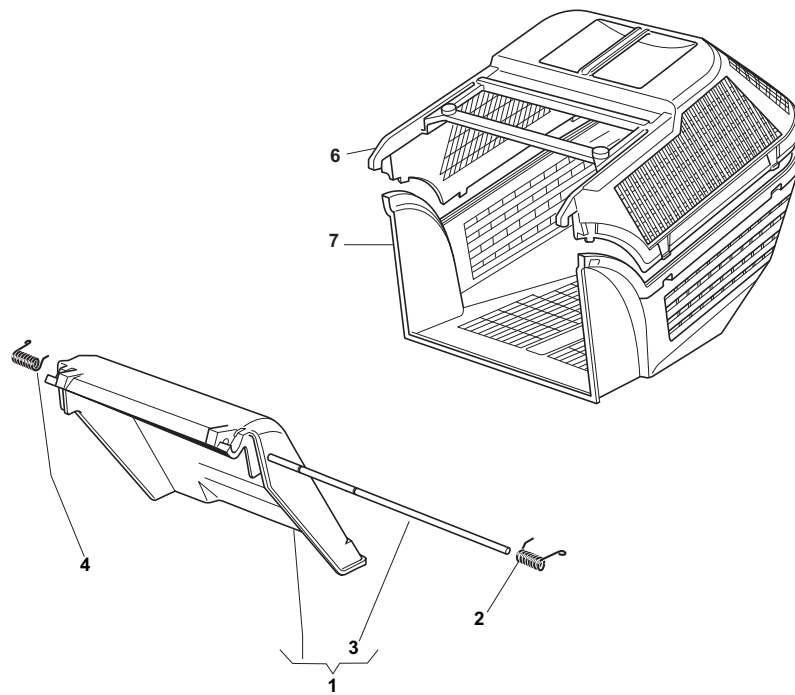




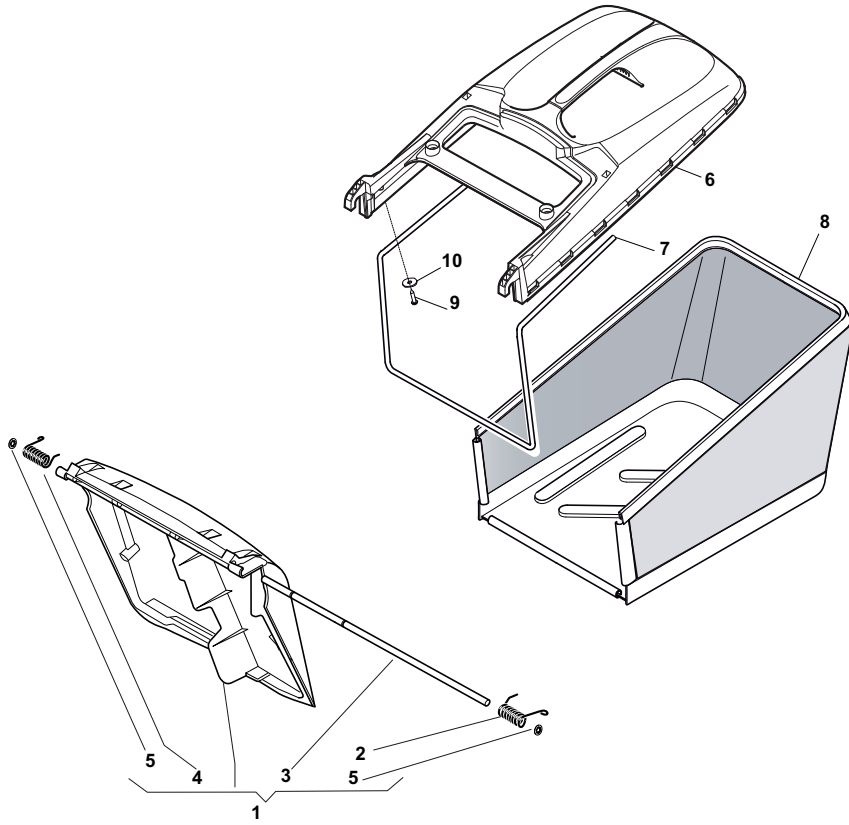
POS	PART. NO	Q.ty	DESCRIPTION	DESCRIZIONE	DESCRIPTION	BESCHREIBUNG	REMARKS
1	381008021/2	1	Stone-Guard	Parasassi	Pare-Pierres	Prallblech	
2	22450420/1	1	R Spring	Molla Dx	Ressort D	Rechte Feder	
3	22517906/1	1	Pin	Perno	Pivot	Bolzen	
4	22450410/1	1	L Spring	Molla Sx	Ressort G	Linke Feder	
5	12000930/0	1	Snap Ring	Anello Elastico	Anneau Ressort	Sprengring	
6	22486093/0	1	Grass-Box, Upper	Sacco, Parte Sup	Sac, Partie	Korb, Oberteil	
7	12728445/0	2	Screw	Vite	Vis	Schraube	
8	81002195/0	1	Box, Fabric	Sacco, Tela	Sac, Toile	Sack, Tuck	
9	22608523/0	1	Stiffening Lower	Rinforzo Inf	Réinforcement Inf	Verstärkung	



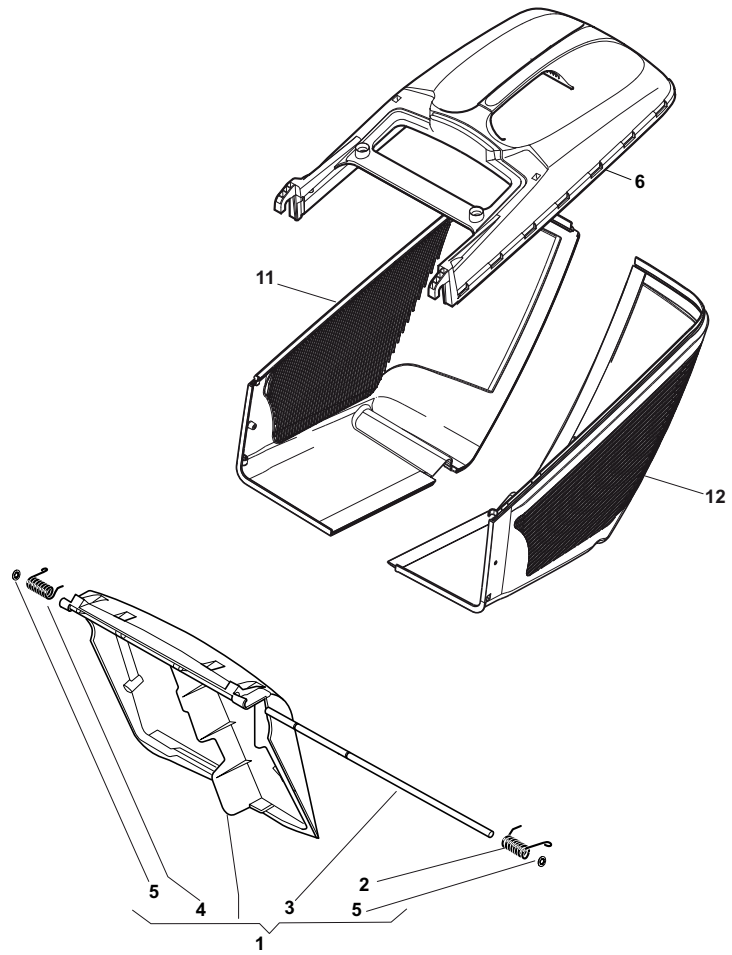
POS	PART. NO	Q.ty	DESCRIPTION	DESCRIZIONE	DESCRIPTION	BESCHREIBUNG	REMARKS
1	381007308/2	1	Stone-Guard	Parasassi	Pare-Pierres	Prallblech	
2	122450466/0	1	L Spring	Molla Sx	Ressort G	Linke Feder	
3	122517882/0	1	Pin	Perno	Pivot	Bolzen	
4	122450465/0	1	R Spring	Molla Dx	Ressort D	Rechte Feder	
6	322486073/1	1	Grass-Box, Upper	Sacco, Parte Sup	Sac, Partie Superieure	Korb, Oberteil	
11	81002105/2	1	Box, Fabric	Sacco, Tela	Sac, Toile	Sack, Tuck	
12	81006418/0	1	Chassis Box	Telaio Sacco	Châssis Bac	Rahmen Sack	



POS	PART. NO	Q.ty	DESCRIPTION	DESCRIZIONE	DESCRIPTION	BESCHREIBUNG	REMARKS
1	381007308/2	1	Stone-Guard	Parasassi	Pare-Pierres	Prallblech	
2	122450466/0	1	L Spring	Molla Sx	Ressort G	Linke Feder	
3	122517882/0	1	Pin	Perno	Pivot	Bolzen	
4	122450465/0	1	R Spring	Molla Dx	Ressort D	Rechte Feder	
6	322486073/1	1	Grass-Box, Upper	Sacco, Parte Sup	Sac, Partie Superieure	Korb, Oberteil	
7	22486074/0	1	Grass-Box, Lower	Sacco, Parte Inf	Sac, Partie Inferieure	Korb, Unterteil	



POS	PART. NO	Q.ty	DESCRIPTION	DESCRIZIONE	DESCRIPTION	BESCHREIBUNG	REMARKS
1	381008081/2	1	Stone-Guard	Parasassi	Pare-Pierres	Prallblech	
2	122450466/0	1	L Spring	Molla Sx	Ressort G	Linke Feder	
3	122517882/0	1	Pin	Perno	Pivot	Bolzen	
4	122450465/0	1	R Spring	Molla Dx	Ressort D	Rechte Feder	
6	22486101/0	1	Grass-Box, Upper	Sacco, Parte Sup	Sac, Partie Superieure	Korb, Oberteil	
7	22608525/0	1	Stiffening Lower	Rinforzo Inf	Réinforcement Inf	Verstärkung	
8	81002211/0	1	Box, Fabric	Sacco, Tela	Sac, Toile	Sack, Tuck	
9	12728680/0	2	Screw	Vite	Vis	Schraube	
10	12523050/0	2	Washer	Rosetta	Rondelle	Scheibe	





POS	PART. NO	Q.ty	DESCRIPTION	DESCRIZIONE	DESCRIPTION	BESCHREIBUNG	REMARKS
1	381008081/2	1	Stone-Guard	Parasassi	Pare-Pierres	Prallblech	
2	122450466/0	1	L Spring	Molla Sx	Ressort G	Linke Feder	
3	122517882/0	1	Pin	Perno	Pivot	Bolzen	
4	122450465/0	1	R Spring	Molla Dx	Ressort D	Rechte Feder	
6	22486101/0	1	Grass-Box, Upper	Sacco, Parte Sup	Sac, Partie	Korb, Oberteil	
11	322486150/1	1	Grass-Box, R Lower	Sacco, Parte Inf Dx	Sac, Partie Inf. D	Korb, R Unterteil	
12	322486151/1	1	Grass-Box, L Lower	Sacco, Parte Inf Sx	Sac, Partie Inf. G	Korb, L Unterteil	