

# ILLUSTRATED PARTS LIST

## CA 534 TR 4S CA 534 TR-E 4S



- Use GLOBAL GARDEN PRODUCT Genuine Spare Parts specified in the parts list for repair and/or replacement.
- The contents described in the parts list may change due to improvement.
- The drawings of the spare parts are only indicative and might not represent the part in question exactly.
- The indications "right" - "left" - "front" - "rear" refer to the position of the operator when using the machine.
- When placing orders of parts for repair and/or replacement, make sure that the illustrated parts list is the one applying to the machine's year of manufacture, as shown on the identification plate attached to the machine.

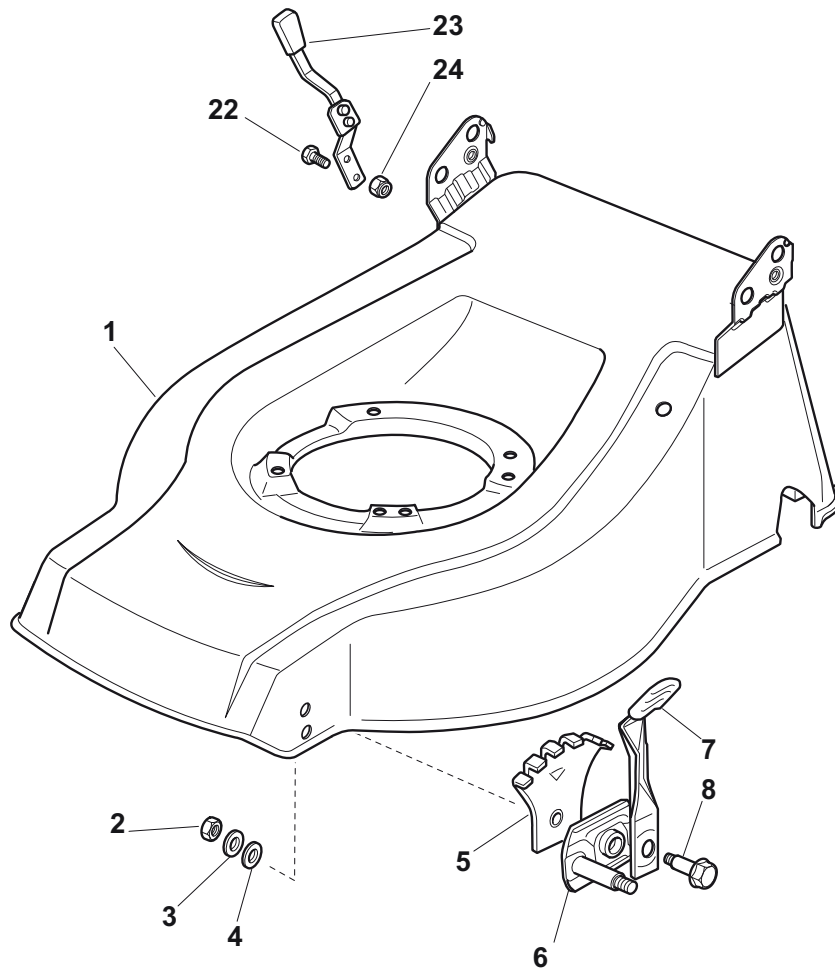
© Copyright 2012 Global Garden Products

All content is subject to copyright by Global Garden Products and may not be reproduced in whole or in part by any means, electronic or otherwise, without prior written approval.

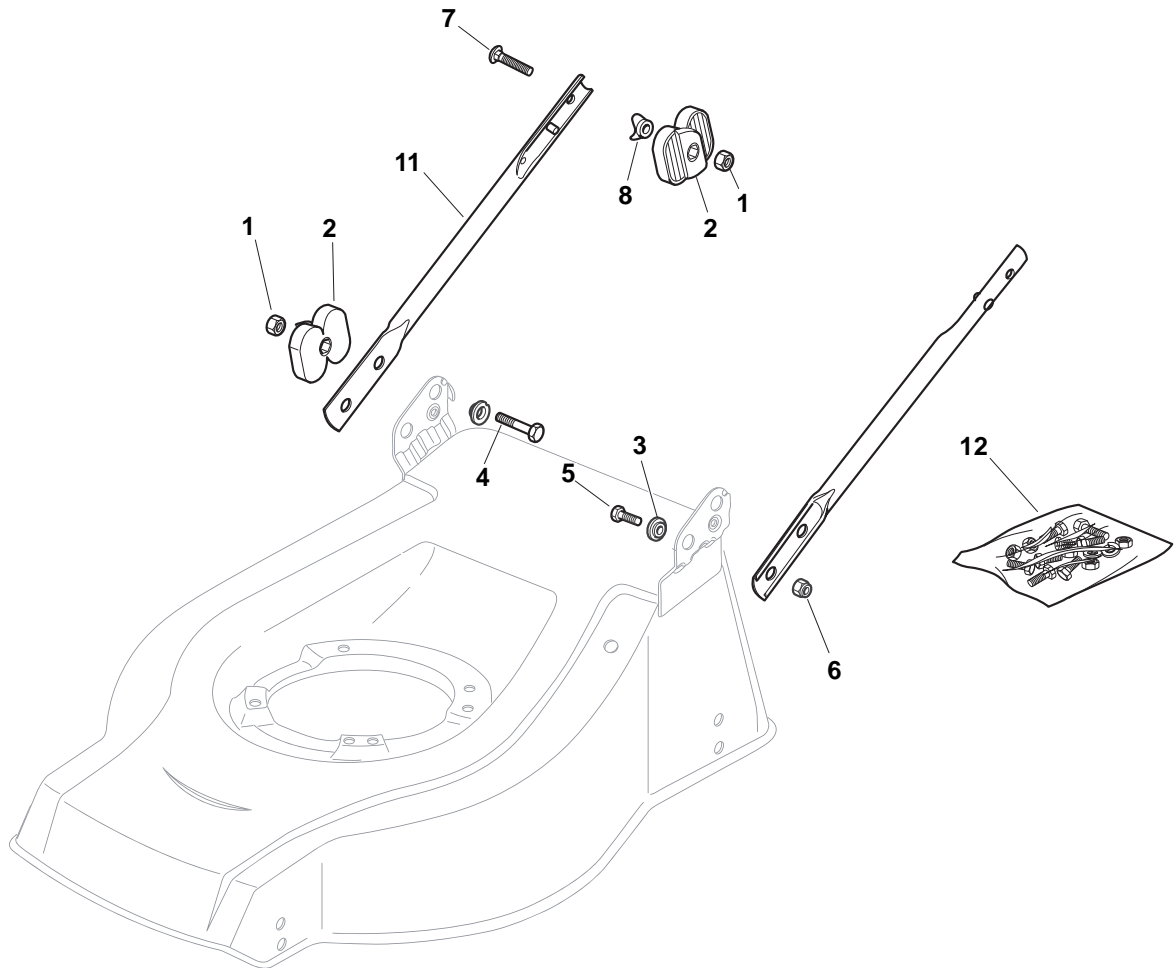
THIS INFORMATION IS NOT INTENDED FOR SALE OR RESALE, AND THIS NOTICE MUST REMAIN ON ALL COPIES.



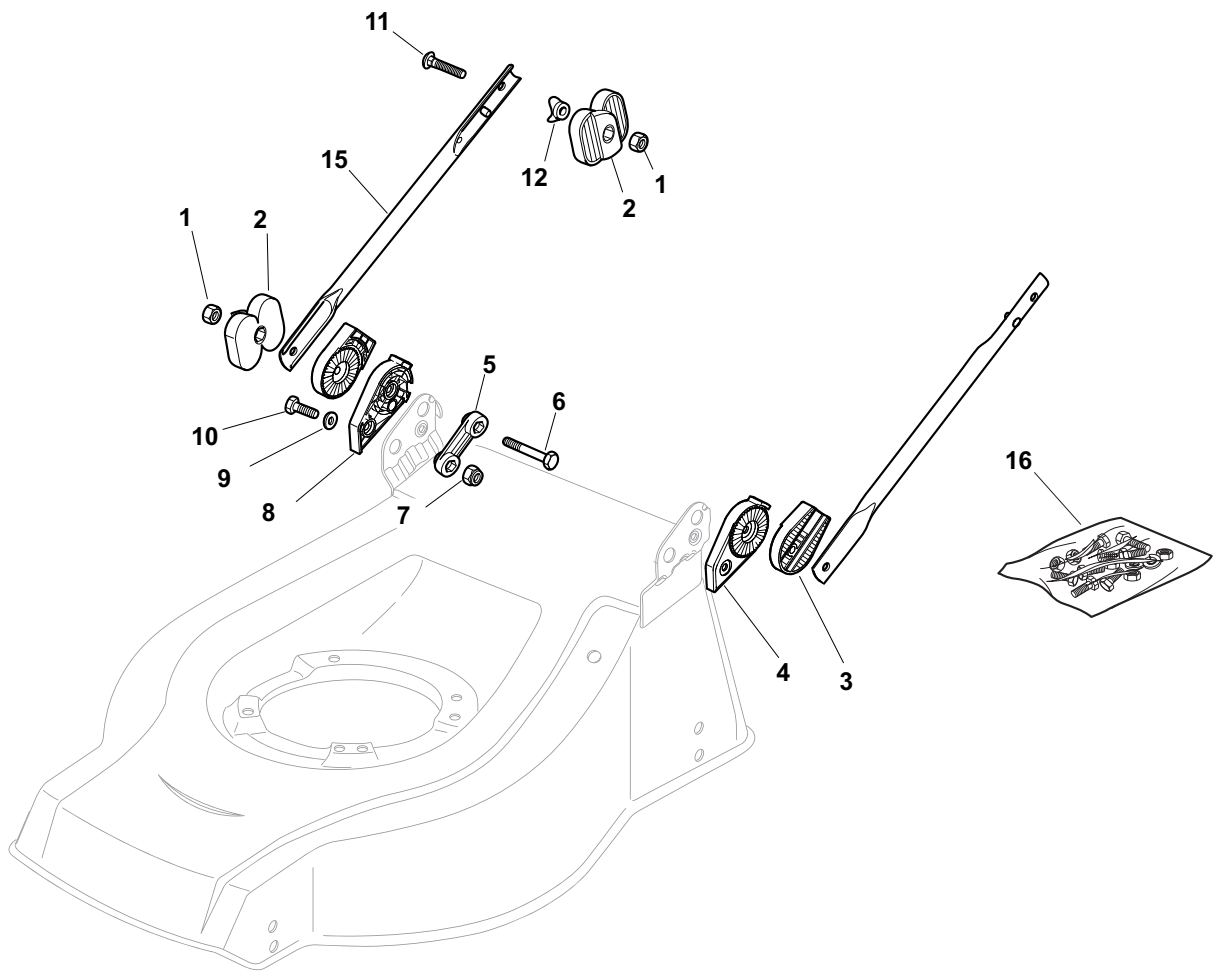
GLOBAL GARDEN PRODUCTS



POS	PART. NO	Q.ty	DESCRIPTION	DESCRIZIONE	DESCRIPTION	BESCHREIBUNG	REMARKS
1	81002350/0	1	Deck Red	Chassis Rosso	Châssis Rouge	Gehäuse Rot	
2	12293200/0	2	Nut	Dado	Ecrou	Mutter	
3	12583500/0	2	Grower	Grower	Grower	Federring	
4	12523070/0	2	Washer	Rosetta	Rondelle	Scheibe	
5	22735547/0	2	Sector, Height Adjustment	Settore Regolazione Altezza	Secteur Reglage Hauteur	Sektor, Höheverstellung	
6	81005082/0	2	Support, Wheel	Supporto Ruota	Support Roue	Halter, Rad	
7	81003285/1	2	Lever, Height Adjustment	Leva Regolazione Altezza	Levier, Reglage Hauteur	Hebel, Höheverstellung	
8	22519811/0	2	Pin	Perno	Pivot	Bolzen	
22	12789000/0	2	Screw	Vite	Vis	Schraube	
23	81003279/2	1	Lever, Height Adjustment	Leva Regolazione Altezza	Levier, Reglage Hauteur	Hebel, Höheverstellung	
24	12154330/0	2	Nut	Dado	Ecrou	Mutter	



POS	PART. NO	Q.ty	DESCRIPTION	DESCRIZIONE	DESCRIPTION	BESCHREIBUNG	REMARKS
1	12293202/0	4	Nut	Dado	Ecrou	Mutter	
2	22399803/0	4	Knob	Manopolina	Poignée	Griff	
3	22041955/0	4	Bush	Bussola	Douille	Buchse	
4	12793700/0	2	Screw	Vite	Vis	Schraube	
5	12792610/0	2	Screw	Vite	Vis	Schraube	
6	12155000/0	2	Nut	Dado	Ecrou	Mutter	
7	12819125/0	2	Screw	Vite	Vis	Schraube	
8	22680006/1	2	Washer	Rosetta	Rondelle	Scheibe	
11	81006973/0	2	Handle, Lower Part	Manico, Parte Inf	Mancheron, Partie Inferieure	Holm, Unterteil	
12	81008633/0	1	Outfit, Screws	Dotazione Viteria	Dotation Visserie	Satz, Schrauben	

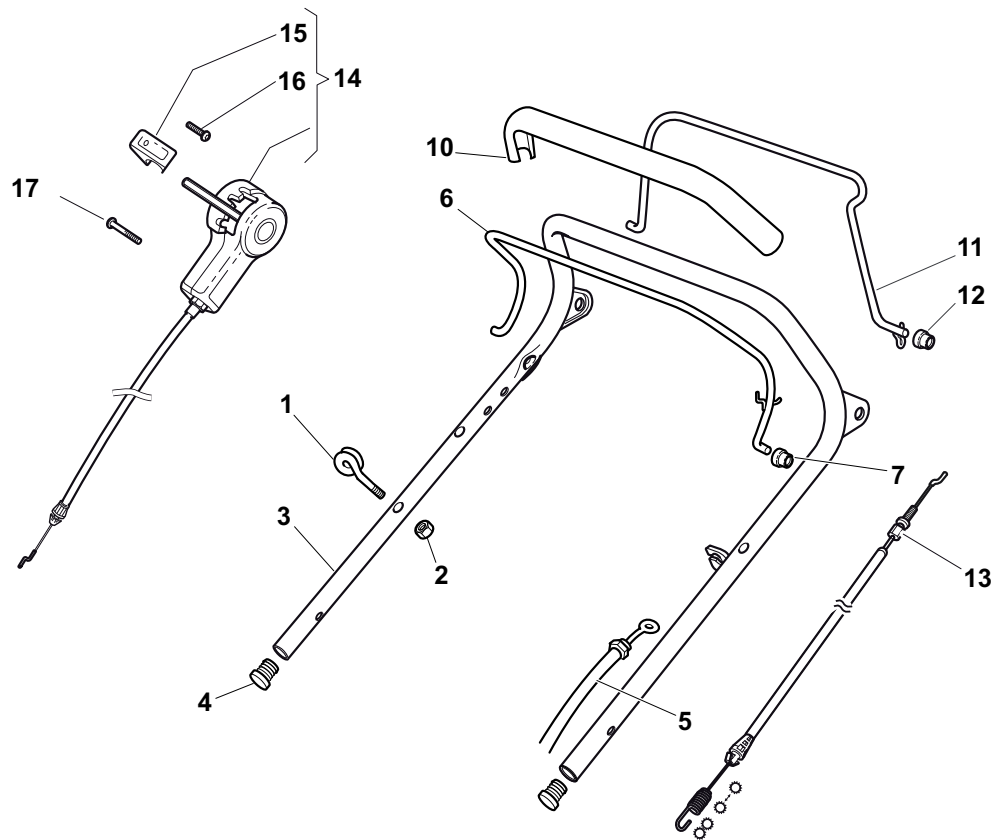


POS	PART. NO	Q.ty	DESCRIPTION	DESCRIZIONE	DESCRIPTION	BESCHREIBUNG	REMARKS
1	12293202/0	4	Nut	Dado	Ecrou	Mutter	
2	22399803/0	4	Knob	Manopolina	Poignée	Griff	
3	22785081/1	2	Support, External	Supporto Esterno	Support Externe	Halter, Außere	
4	22785083/1	1	Support, L Internal	Supporto Interno	Support Interne G	Halter, Innere L	
5	22551575/0	2	Plate, Inside	Piastrina Interna	Plaquette Interne	Platte, Innere	
6	12691810/0	2	Screw	Vite	Vis	Schraube	
7	12155000/0	2	Nut	Dado	Ecrou	Mutter	
8	22785082/0	1	Support, R Internal	Supporto Interno	Support Interne D	Halter, Innere R	
9	12521350/0	2	Washer	Rosetta	Rondelle	Scheibe	
10	12793701/0	2	Screw	Vite	Vis	Schraube	
11	12819125/0	2	Screw	Vite	Vis	Schraube	
12	22680006/1	2	Washer	Rosetta	Rondelle	Scheibe	
15	81006531/0	2	Handle, Lower Part	Manico, Parte Inf	Mancheron, Partie Inferieure	Holm, Unterteil	
16	81008633/0	1	Outfit, Screws	Dotazione Viteria	Dotation Visserie	Satz, Schrauben	

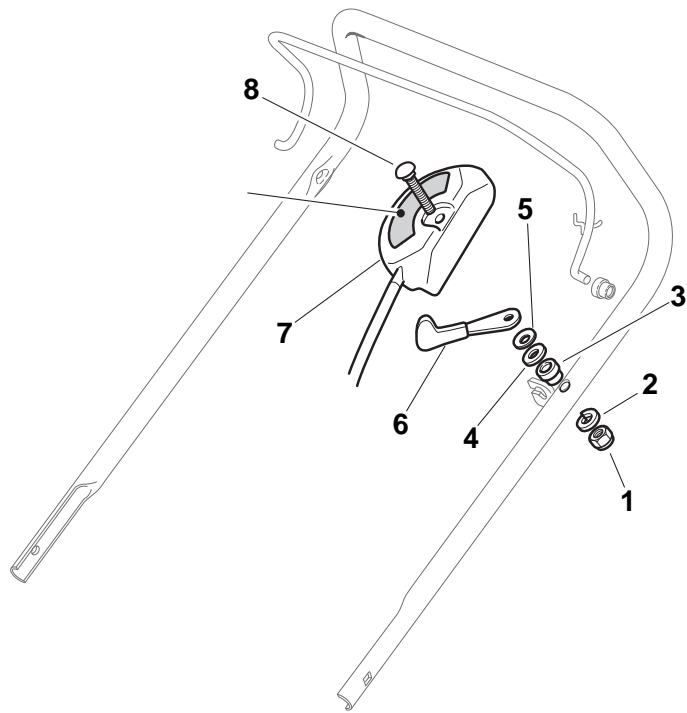




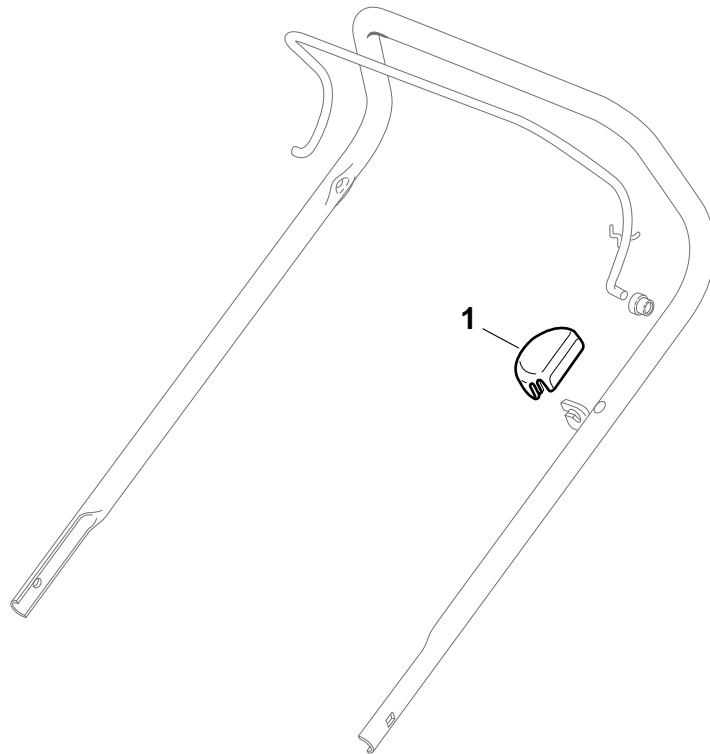
POS	PART. NO	Q.ty	DESCRIPTION	DESCRIZIONE	DESCRIPTION	BESCHREIBUNG	REMARKS
1	81006979/2	1	Handle, Upper Part	Manico, Parte Sup	Mancheron, Partie Sup.	Holm, Oberteil	
2	12689500/0	1	Screw	Vite	Vis	Schraube	
3	22551640/0	1	Plate	Piastrina	Plaquette	Plättchen	
4	381000709/2	1	Cable, Rear Drive	Cavo Comando Trazione	Câble, Comm. Traction	Kabel, Antrieb	
5	81003297/1	1	Driving Lever	Leva Trazione	Levier Traction	Antriebhebel	
6	81000754/0	1	Cable, Thread Engine Brake	Cavo Freno Motore	Cable Frein Moteur	Kabel, Motorbremse	Honda - B&S625-675
6	81000743/0	1	Cable, Thread Engine Brake	Cavo Freno Motore	Cable Frein Moteur	Kabel, Motorbremse	GGP150cc
6	81000657/0	1	Cable, Thread Engine Brake	Cavo Freno Motore	Cable Frein Moteur	Kabel, Motorbremse	GGP/B&S450-500
6	181030011/0	1	Cable, Thread Engine Brake	Cavo Freno Motore	Cable Frein Moteur	Kabel, Motorbremse	DOV
7	81003298/1	1	Lever, Engine Brake	Leva Freno Motore	Levier Frein Moteur	Hebel, Motorbremse	
8	12154510/0	1	Nut	Dado	Ecrou	Mutter	
9	81007110/0	1	Cable, Speed Drive Control	Cavo Comando Marce	Cable, Comm. Changement Vitesse	Kabel, Gängeschaltun	
10	22399809/0	1	Knob	Manopolina	Poignée	Griff	
11	12728300/0	1	Screw	Vite	Vis	Schraube	
12	12728702/0	2	Screw	Vite	Vis	Schraube	



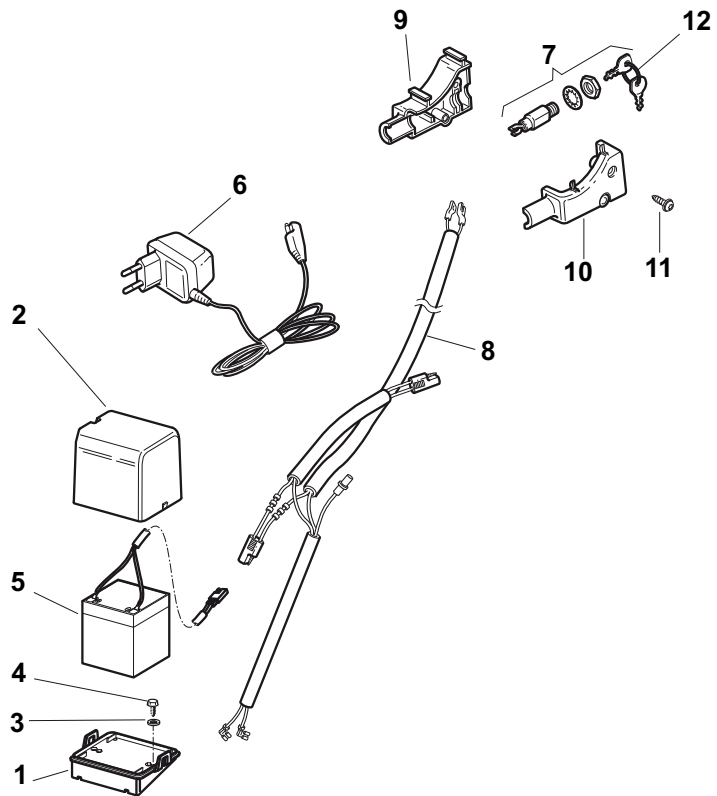
POS	PART. NO	Q.ty	DESCRIPTION	DESCRIZIONE	DESCRIPTION	BESCHREIBUNG	REMARKS
1	22430309/0	1	Guide Spring	Molla Guida	Ressort De Guide	Feder Führer	
2	12154330/0	1	Nut	Dado	Ecrou	Mutter	
3	81006989/0	1	Handle, Upper Part	Manico, Parte Sup	Mancheron, Partie Superieure	Holm, Oberteil	
4	18566112/0	2	Cap	Puntale	Bouchon	Gummistopfen	
5	81000611/0	1	Cable, Thread Engine Brake	Cavo Freno Motore	Cable Frein Moteur	Kabel, Motorbremse	GGP150cc
5	81000640/0	1	Cable, Thread Engine Brake	Cavo Freno Motore	Cable Frein Moteur	Kabel, Motorbremse	Honda
5	81000643/0	1	Cable, Thread Engine Brake	Cavo Freno Motore	Cable Frein Moteur	Kabel, Motorbremse	B&S450-500
5	81000756/0	1	Cable, Thread Engine Brake	Cavo Freno Motore	Cable Frein Moteur	Kabel, Motorbremse	GGP
5	81000756/0	1	Cable, Thread Engine Brake	Cavo Freno Motore	Cable Frein Moteur	Kabel, Motorbremse	B&S675Es
5	81000756/0	1	Cable, Thread Engine Brake	Cavo Freno Motore	Cable Frein Moteur	Kabel, Motorbremse	B&S625-675
5	181030009/0	1	Cable, Thread Engine Brake	Cavo Freno Motore	Cable Frein Moteur	Kabel, Motorbremse	DOV
6	81003291/3	1	Lever, Engine Brake	Leva Freno Motore	Levier Frein Moteur	Hebel, Motorbremse	
7	22041966/0	2	Bush	Bussola	Douille	Buchse	
10	22291050/0	1	Handgrip Black	Impugnatura Manico Nera	Poignée Noire	Handgriff Schwarz	
11	22041965/1	2	Bush	Bussola	Douille	Buchse	
12	81003288/1	1	Lever, Driving	Leva Trazione	Levier Traction	Hebel, Antrieb	
13	81000668/1	1	Cable, Rear Drive	Cavo Comando Trazione	Câble, Commande Traction	Kabel, Antrieb	
14	81007110/0	1	Cable, Speed Drive Control	Cavo Comando Marce	Cable, Comm. Changement Vitesse	Kabel, Gängeschaltun	
15	22399809/0	1	Knob	Manopolina	Poignée	Griff	
16	12728300/0	1	Screw	Vite	Vis	Schraube	
17	12728702/0	2	Screw	Vite	Vis	Schraube	



POS	PART. NO	Q.ty	DESCRIPTION	DESCRIZIONE	DESCRIPTION	BESCHREIBUNG	REMARKS
1	12291000/0	1	Nut	Dado	Ecrou	Mutter	
2	12581500/0	1	Grower	Grower	Grower	Federring	
3	22171005/0	1	Spacer	Distanziale	Entretoise	Distanzring	
4	12521360/0	1	Washer	Rosetta	Rondelle	Scheibe	
5	12508100/0	1	Spring Washer	Rosetta Elastica	Rondelle Elastique	Elastische Scheibe	
6	81007279/1	1	Lever, Throttle	Leva, Acceleratore	Levier, Accelérateur	Hebel, Beschleuniger	B&S-GGP-Honda
6	81007220/0	1	Lever, Throttle	Leva, Acceleratore	Levier, Accelérateur	Hebel, Beschleuniger	B&S450-500/GGP150cc
7	81007080/0	1	Throttle Cable	Cavo Acceleratore	Cable, Accelérateur	Gashebel Kabel	
8	12815000/0	1	Screw	Vite	Vis	Schraube	
9	14356703/0	1	Label	Etichetta	Etiquette	Etikette	B&S
9	114356905/0	1	Label	Etichetta	Etiquette	Etikette	B&S DOV
9	14356702/0	1	Label	Etichetta	Etiquette	Etikette	GGP
9	114364264/0	1	Label	Etichetta	Etiquette	Etikette	GGP AVS
9	14356702/0	1	Label	Etichetta	Etiquette	Etikette	Honda
9	114356905/0	1	Label	Etichetta	Etiquette	Etikette	Honda AC

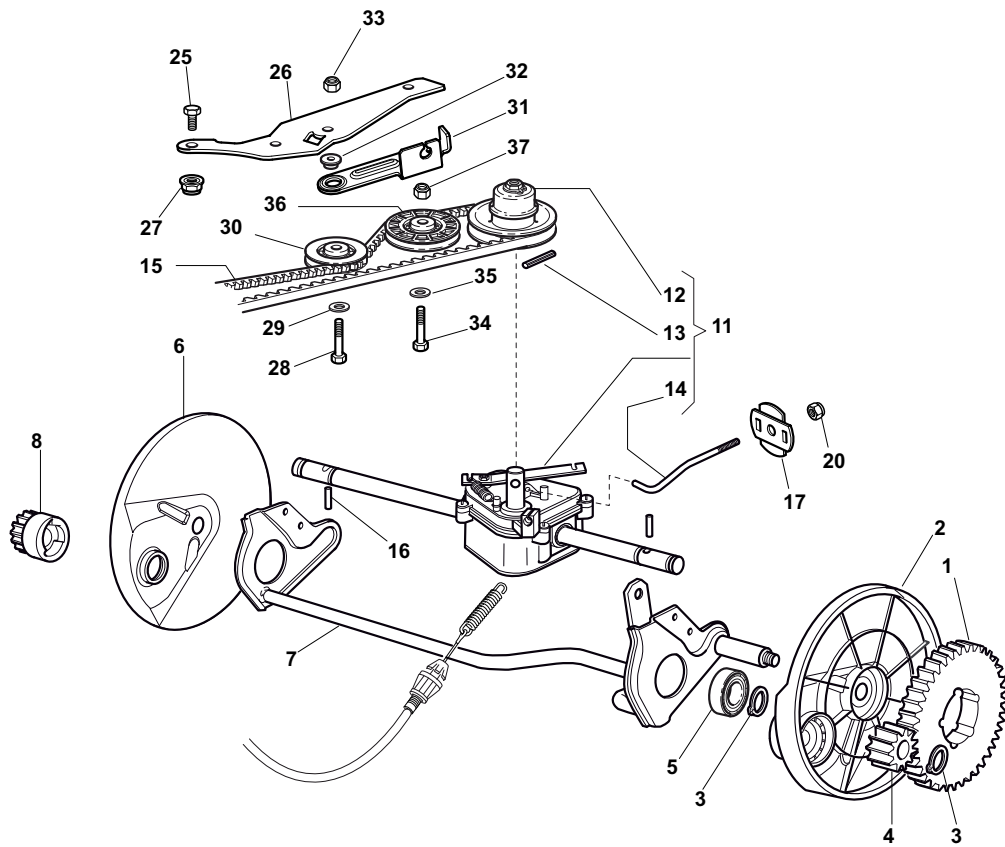


POS	PART. NO	Q.ty	DESCRIPTION	DESCRIZIONE	DESCRIPTION	BESCHREIBUNG	REMARKS
1	22601000/0	1	Protection	Protezione	Protection	Schutz	

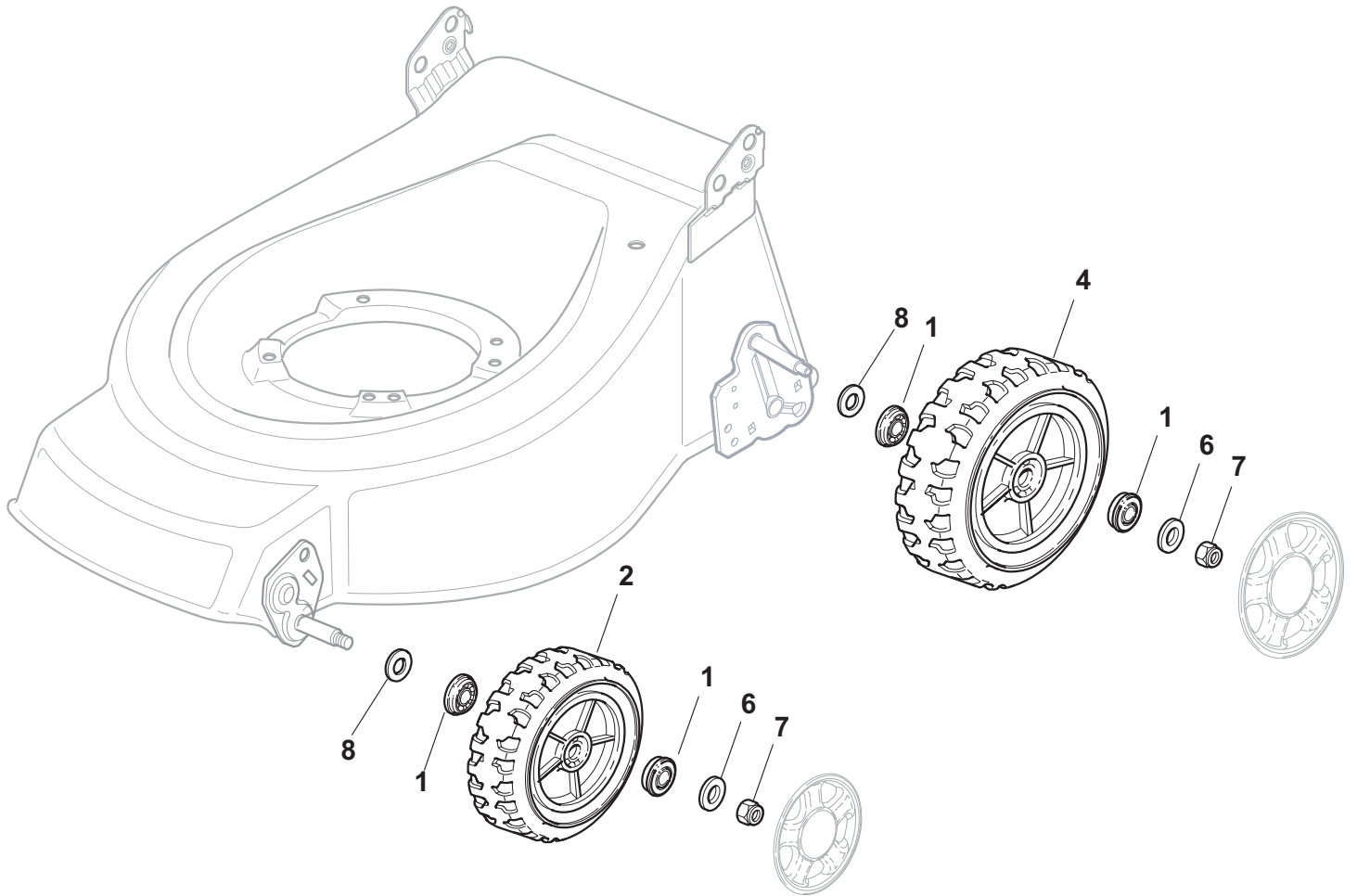




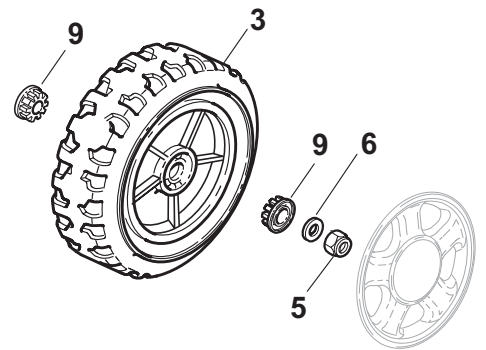
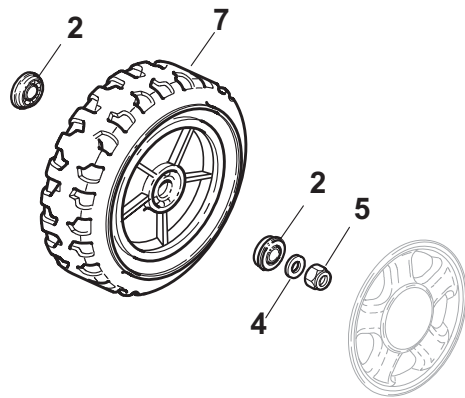
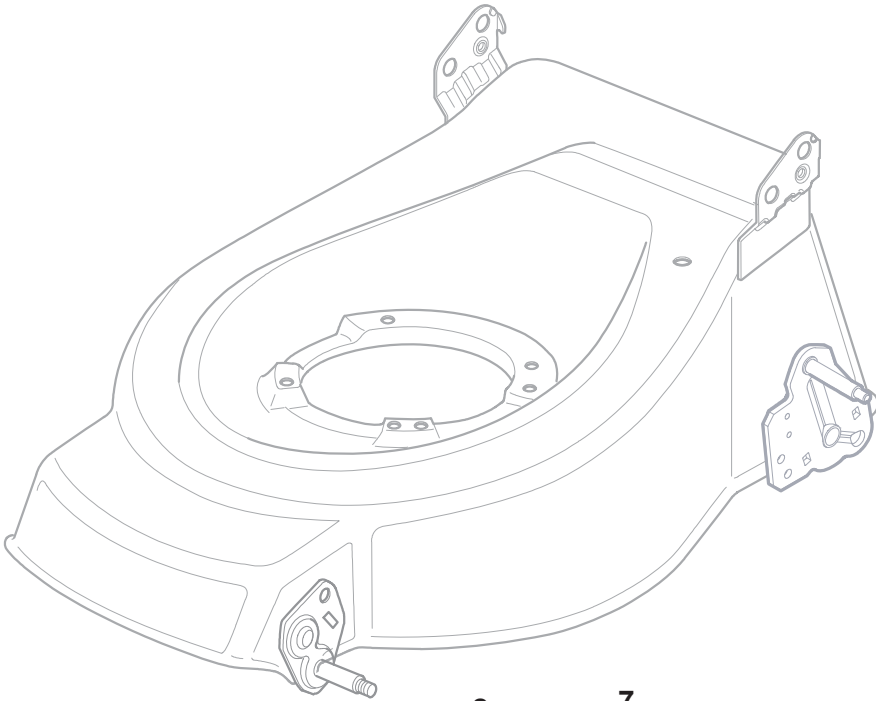
POS	PART. NO	Q.ty	DESCRIPTION	DESCRIZIONE	DESCRIPTION	BESCHREIBUNG	REMARKS
1	22785123/0	1	Support, Battery	Supporto Batteria	Support Batterie	Halter, Batterie	
2	22109530/0	1	Cover	Coperchio	Couvercle	Deckel	
3	12521310/0	2	Washer	Rosetta	Rondelle	Scheibe	
4	12731590/0	2	Screw	Vite	Vis	Schraube	
5	18120052/0	1	Battery	Batteria	Batterie	Batterie	
6	18204120/0	1	Battery Charger	Carica Batteria	Chargeur De	Ladgerät	CE
6	18204121/0	1	Battery Charger	Carica Batteria	Chargeur De	Ladgerät	UK
7	18450050/0	1	Switch	Interruttore	Interrupteur	Schalter	
8	118204192/3	1	Cable, Start	Cavo Avviamento	Cable Démarrage	Kabel, Start	B&S-GGP
8	18204198/0	1	Cable, Start	Cavo Avviamento	Cable Démarrage	Kabel, Start	Honda
9	22722804/0	1	R Protection	Protezione Dx	Protection D	Rechte Schutz	
10	22722805/0	1	L Protection	Protezione Sx	Protection G	Linke Schutz	
11	12728300/0	1	Screw	Vite	Vis	Schraube	
12	18210016/1	1	Starting Key	Chiave Avviamento	Clef A Demarrage	Schlüssel Für Start	



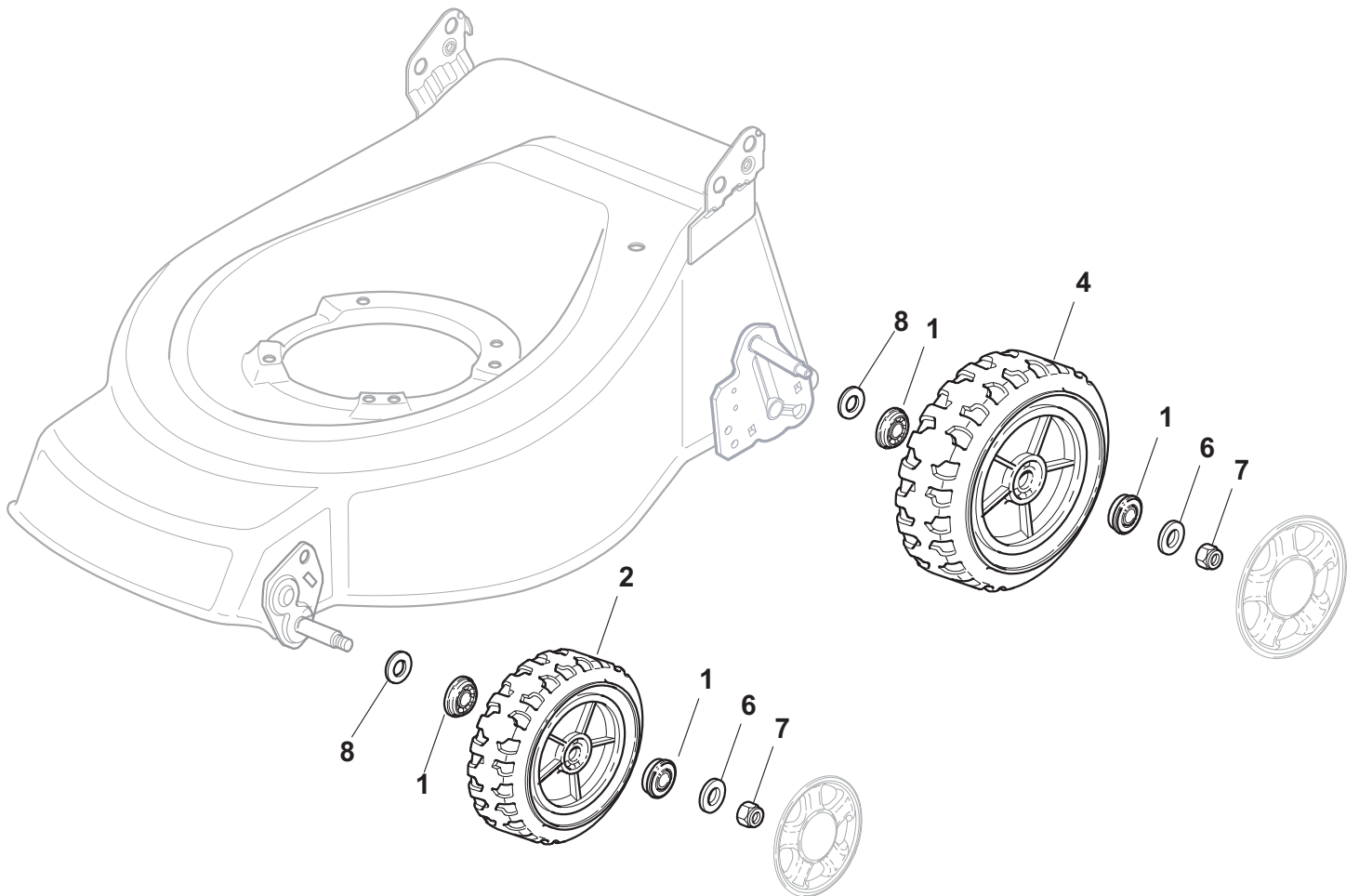
POS	PART. NO	Q.ty	DESCRIPTION	DESCRIZIONE	DESCRIPTION	BESCHREIBUNG	REMARKS
1	22120105/1	2	Ring Gear	Corona	Couronne	Kranz	
2	22600093/0	1	Protection, L Wheel	Prot. Ruote Sx	Protection Roue G	Schütz, Linkes	
3	12608600/0	4	Seeger	Seeger	Seeger	Seeger	
4	22570120/1	1	Pinion L	Pignone Sx	Pignon G	Ritzel Linkes	
5	19216035/0	2	Bearing	Cuscinetto	Coussinet	Lager	
6	22600092/0	1	Protection, R Wheel	Prot. Ruote Dx	Protection Roue D	Schütz, Rechtes	
7	81000147/0	1	Axle, Rear Wheels	Asse Ruote Posteriori	Axe Roues Arriere	Achse, Hinterrad	
8	22570110/1	1	Pinion R	Pignone Dx	Pignon D	Ritzel Rechtes	
11	181003102/0	1	Gear Box	Gruppo Trazione	Groupe Traction	Antrieb	
12	122601925/0	1	Pulley	Puleggia	Poulie	Riemenscheibe	
13	12645700/0	1	Pin	Spina	Goupille	Stift	
14	22033285/0	1	Adjustment Rod	Asta Regolazione	Tige Reglage	Verstellungstange	
15	35064010/0	1	Belt	Cinghia	Courroie	Riemen	
16	22753000/0	2	Pin	Spina	Goupille	Stift	
17	22675113/0	2	Washer	Rosetta	Rondelle	Scheibe	
20	12154510/0	1	Nut	Dado	Ecrou	Mutter	
25	12791011/0	1	Screw	Vite	Vis	Schraube	
26	322806625/1	1	Support	Supporto	Support	Halter	
27	12292102/0	1	Nut	Dado	Ecrou	Mutter	
28	12689500/0	1	Screw	Vite	Vis	Schraube	
29	12523050/0	1	Washer	Rosetta	Rondelle	Scheibe	
30	22601915/0	1	Pulley	Puleggia	Poulie	Riemenscheibe	
31	22806623/0	1	Support	Supporto	Support	Halter	
32	22671656/0	1	Washer	Rosetta	Rondelle	Scheibe	
33	12154510/0	1	Nut	Dado	Ecrou	Mutter	
34	12674700/0	1	Screw	Vite	Vis	Schraube	
35	12523050/0	1	Washer	Rosetta	Rondelle	Scheibe	
36	22601914/0	1	Pulley	Puleggia	Poulie	Riemenscheibe	
37	12154510/0	1	Nut	Dado	Ecrou	Mutter	



POS	PART. NO	Q.ty	DESCRIPTION	DESCRIZIONE	DESCRIPTION	BESCHREIBUNG	REMARKS
1	22122200/0	8	Bearing	Cuscinetto	Coussinet	Lager	
2	81007351/0	2	Wheel Ø 170	Ruota Ø 170	Roue Ø 170	Rad Ø 170	
4	81007343/0	2	Wheel Ø 210	Ruota Ø 210	Roue Ø 210	Rad Ø 210	
6	12523060/0	4	Washer	Rosetta	Rondelle	Scheibe	
7	12155000/0	4	Nut	Dado	Ecrou	Mutter	
8	12530150/0	4	Elastic Washer	Rosetta Elastica	Rondelle Elastique	Elastische Scheibe	

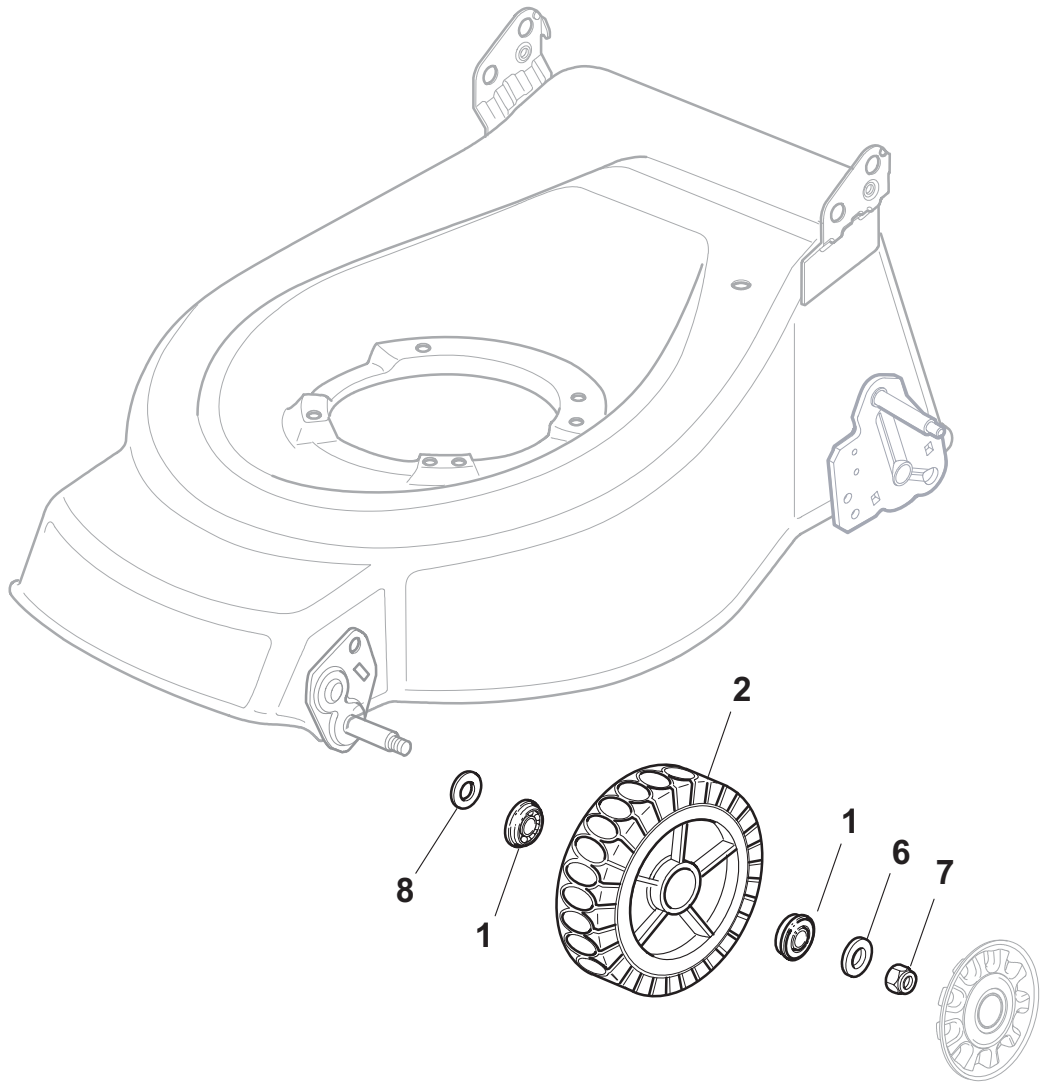


POS	PART. NO	Q.ty	DESCRIPTION	DESCRIZIONE	DESCRIPTION	BESCHREIBUNG	REMARKS
2	22122200/0	2	Bearing	Cuscinetto	Coussinet	Lager	
3	81007343/0	2	Wheel Ø 210	Ruota Ø 210	Roue Ø 210	Rad. Ø 210	
4	12369500/0	4	Elastic Washer	Rosetta Elastica	Rondelle Elastique	Elastische Scheibe	
5	12155000/0	4	Nut	Dado	Ecrou	Mutter	
6	12523060/0	4	Washer	Rosetta	Rondelle	Scheibe	
7	381007420/1	2	Wheel Ø 170	Ruota Ø 170	Roue Ø 170	Rad Ø 170	
9	22034508/0	4	Bush	Bussola	Douille	Buchse	

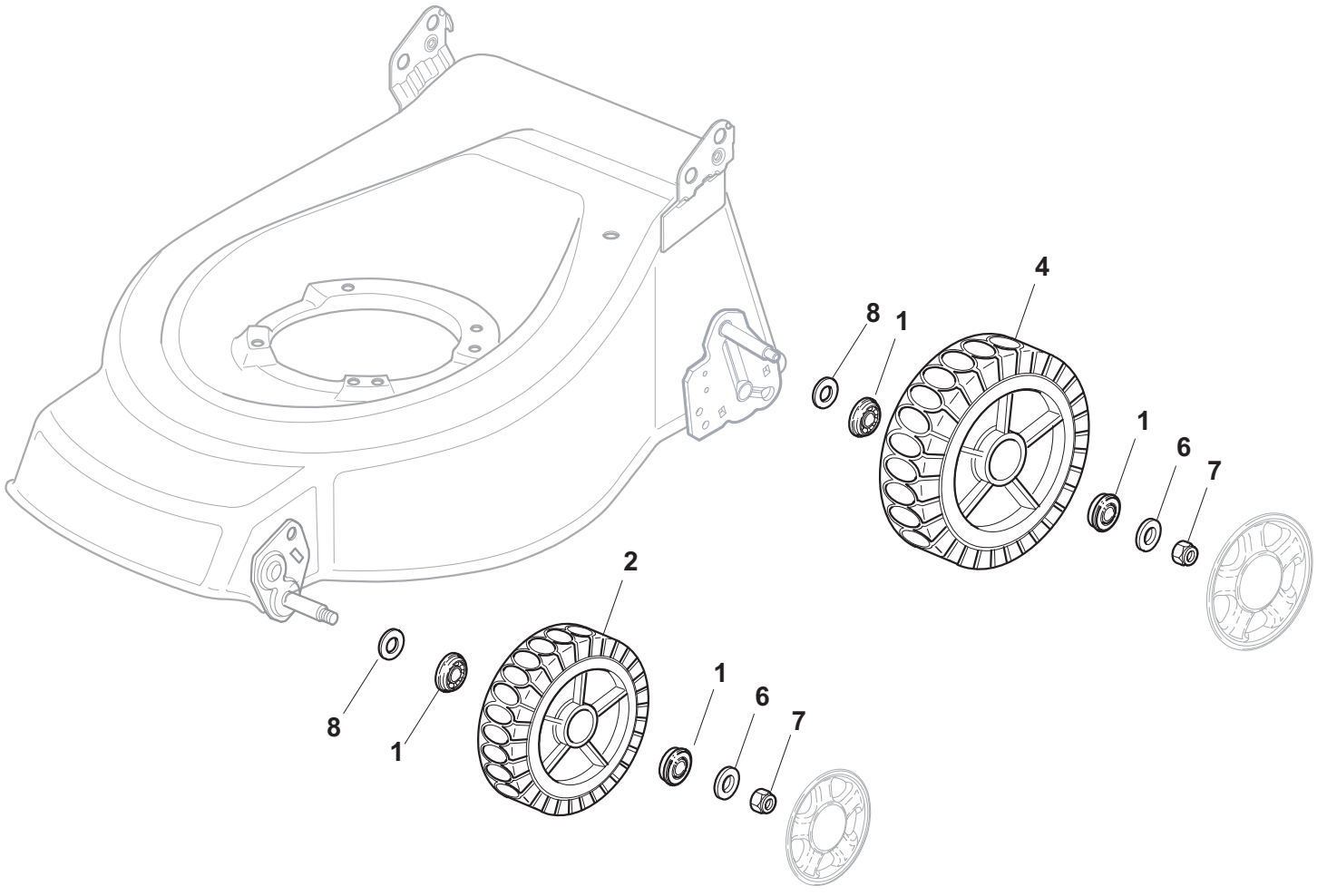




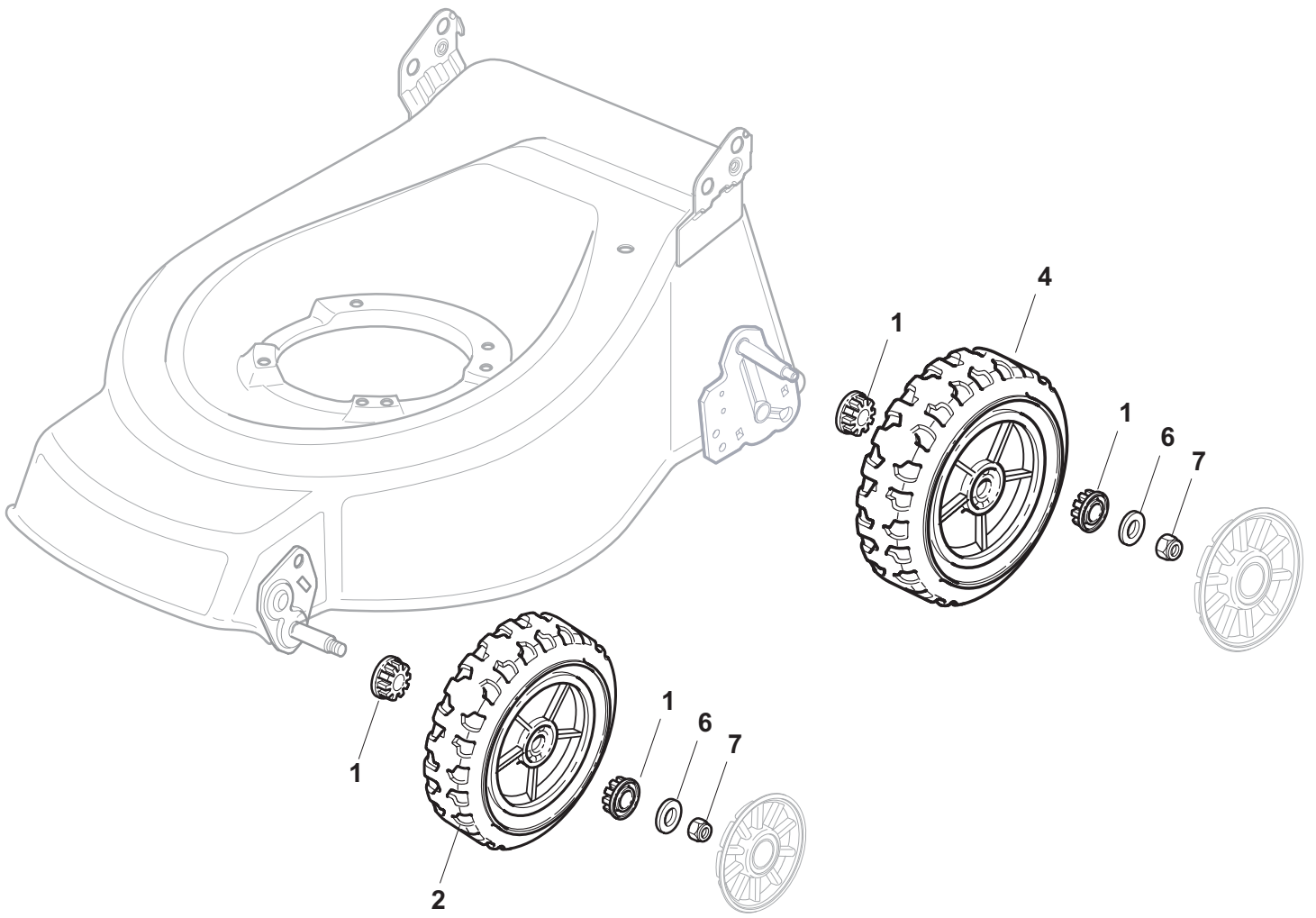
POS	PART. NO	Q.ty	DESCRIPTION	DESCRIZIONE	DESCRIPTION	BESCHREIBUNG	REMARKS
1	22122200/0	8	Bearing	Cuscinetto	Coussinet	Lager	
2	381007420/1	2	Wheel Ø 170	Ruota Ø 170	Roue Ø 170	Rad Ø 170	
4	381007390/1	2	Wheel Ø 210	Ruota Ø 210	Roue Ø 210	Rad Ø 210	
6	12523060/0	4	Washer	Rosetta	Rondelle	Scheibe	
7	12155000/0	4	Nut	Dado	Ecrou	Mutter	
8	12530150/0	4	Elastic Washer	Rosetta Elastica	Rondelle Elastique	Elastische Scheibe	



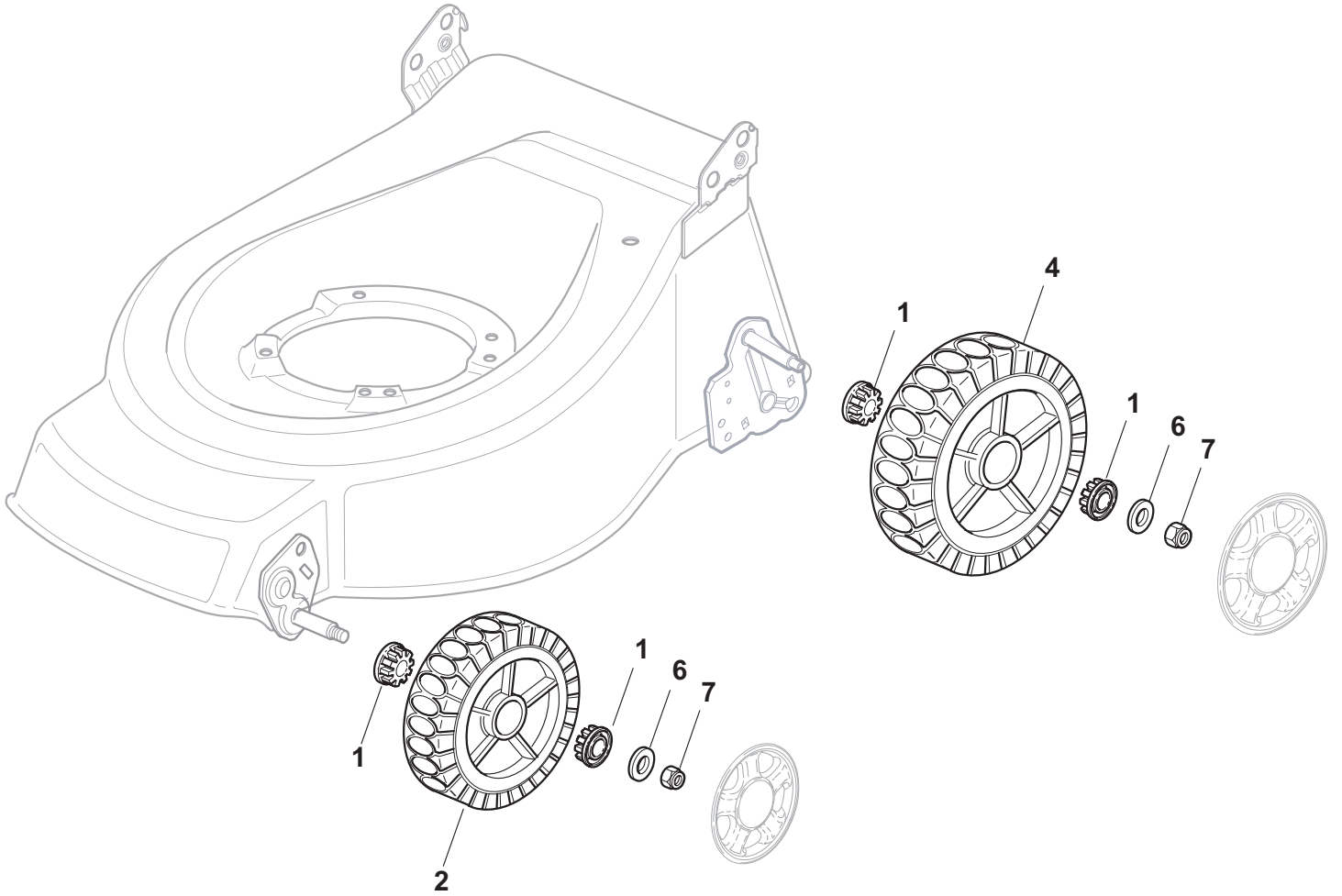
POS	PART. NO	Q.ty	DESCRIPTION	DESCRIZIONE	DESCRIPTION	BESCHREIBUNG	REMARKS
1	22122200/0	8	Bearing	Cuscinetto	Coussinet	Lager	
2	81007336/0	4	Wheel, Knobbly Ø 170	Ruota Scolpita Ø 170	Roue Sculptee Ø 170	Rad M. Stollenpr. Ø 170	
6	12523060/0	4	Washer	Rosetta	Rondelle	Scheibe	
7	12155000/0	4	Nut	Dado	Ecrou	Mutter	
8	12530150/0	4	Elastic Washer	Rosetta Elastica	Rondelle Elastique	Elastische Scheibe	



POS	PART. NO	Q.ty	DESCRIPTION	DESCRIZIONE	DESCRIPTION	BESCHREIBUNG	REMARKS
1	22122200/0	8	Bearing	Cuscinetto	Coussinet	Lager	
2	81007336/0	2	Wheel, Knobbly Ø 170	Ruota Scolpita Ø 170	Roue Sculptee Ø 170	Rad M. Stollenpr. Ø 170	
4	81007337/0	2	Wheel, Knobbly Ø 210	Ruota Scolpita Ø 210	Roue Sculptee Ø 210	Rad M. Stollenpr. Ø 210	
6	12521350/0	4	Washer	Rosetta	Rondelle	Scheibe	
7	12155000/0	4	Nut	Dado	Ecrou	Mutter	
8	12530150/0	4	Elastic Washer	Rosetta Elastica	Rondelle Elastique	Elastische Scheibe	
9	12369500/0	4	Elastic Washer	Rosetta Elastica	Rondelle Elastique	Elastische Scheibe	

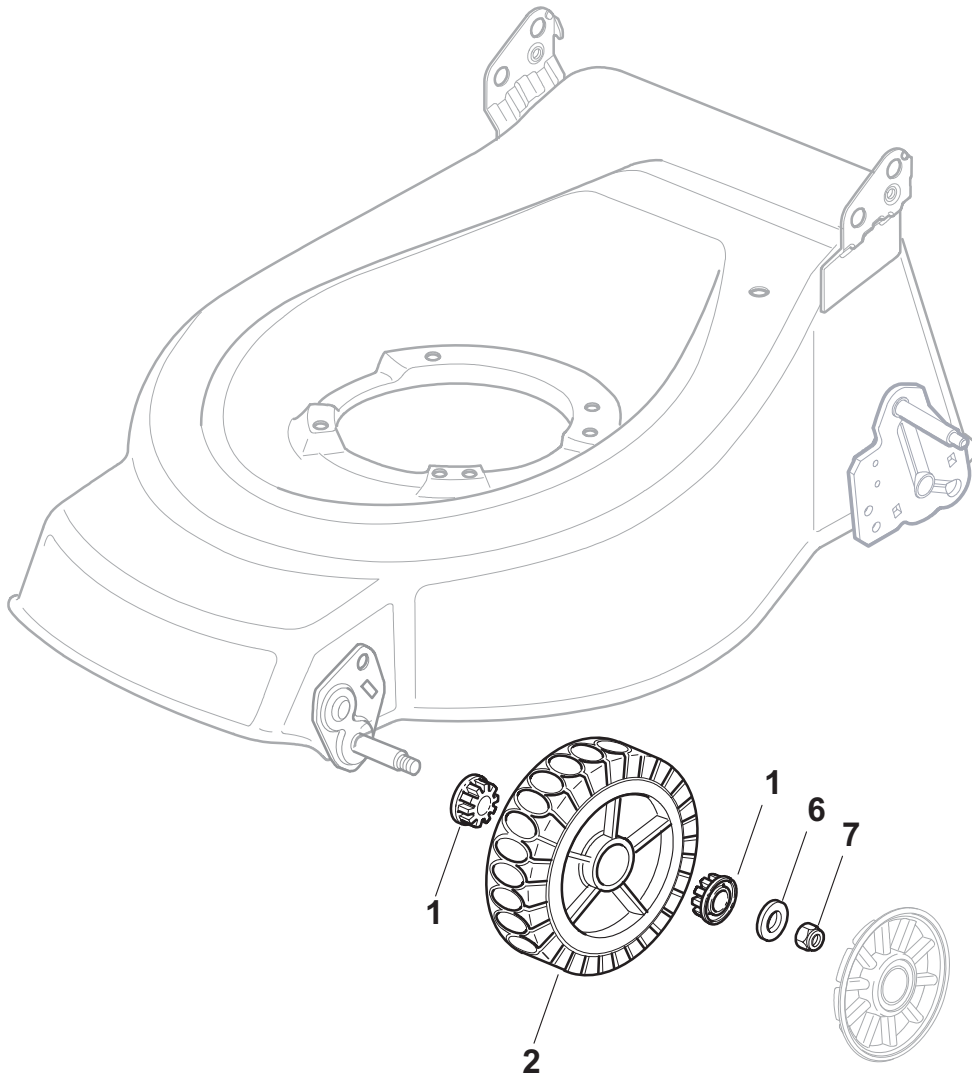


POS	PART. NO	Q.ty	DESCRIPTION	DESCRIZIONE	DESCRIPTION	BESCHREIBUNG	REMARKS
1	22034508/0	8	Bush	Bussola	Douille	Buchse	
2	81007351/0	2	Wheel Ø 170	Ruota Ø 170	Roue Ø 170	Rad Ø 170	
4	81007343/0	2	Wheel Ø 210	Ruota Ø 210	Roue Ø 210	Rad Ø 210	
6	12523060/0	4	Washer	Rosetta	Rondelle	Scheibe	
7	12155000/0	4	Nut	Dado	Ecrou	Mutter	

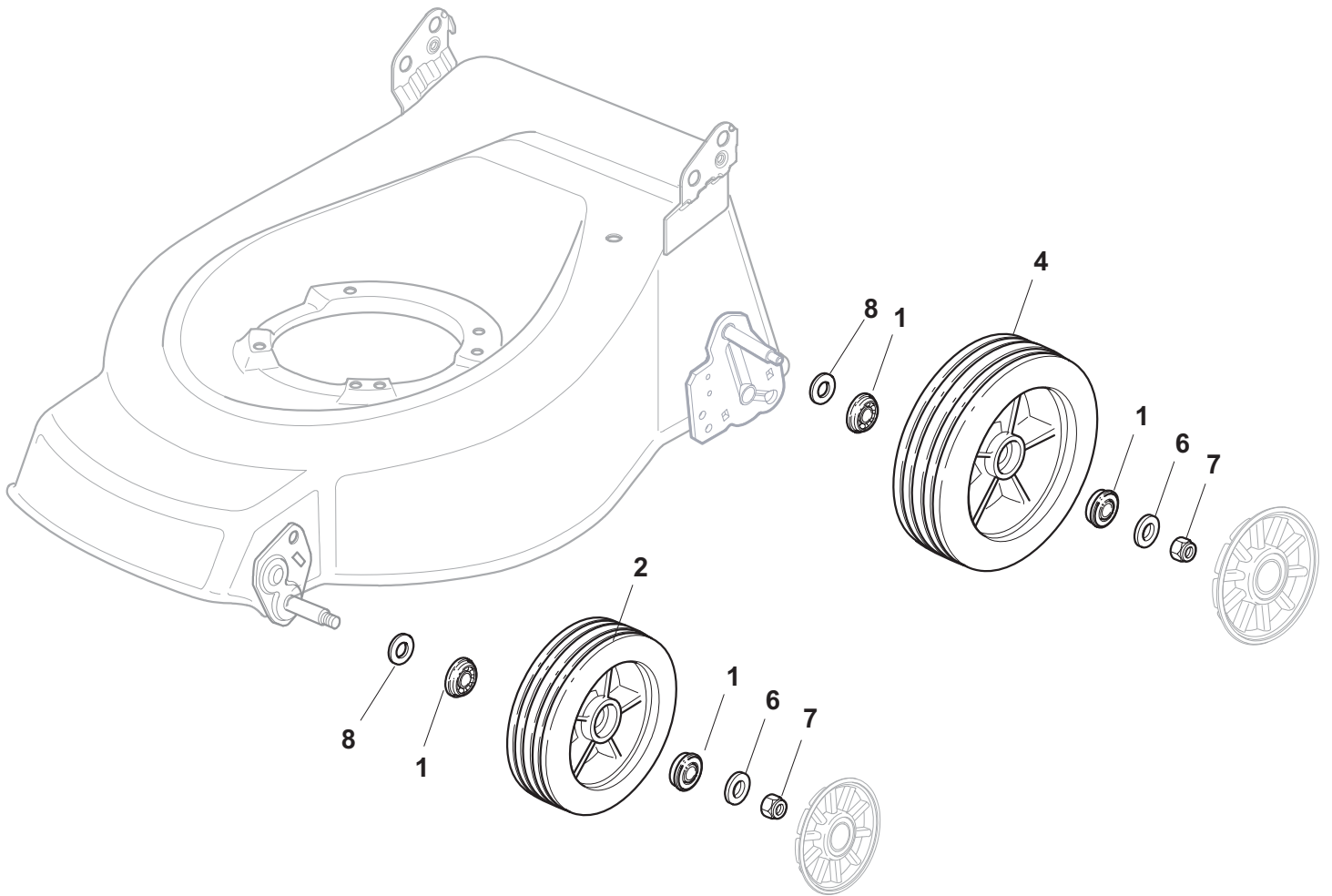




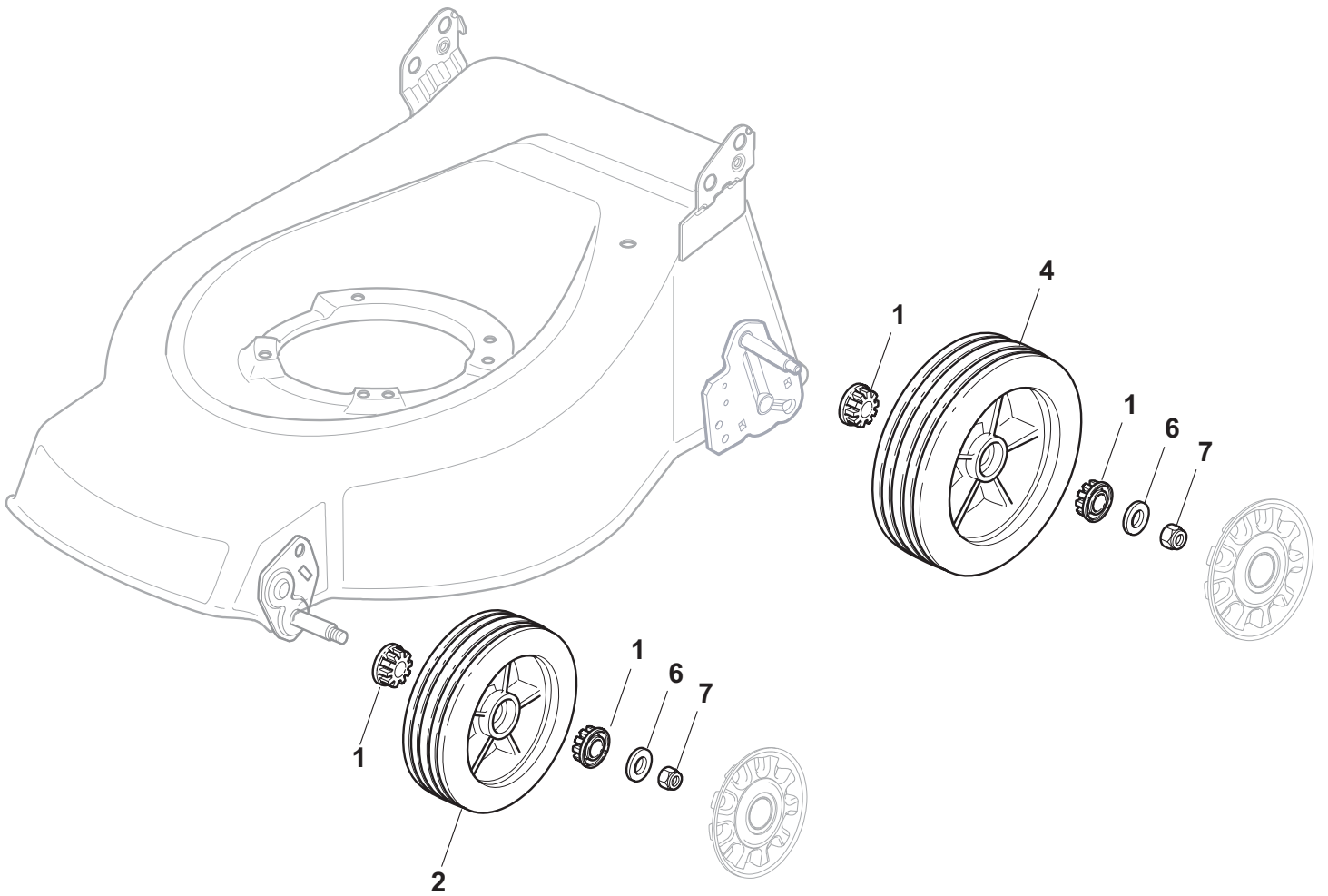
POS	PART. NO	Q.ty	DESCRIPTION	DESCRIZIONE	DESCRIPTION	BESCHREIBUNG	REMARKS
1	22122200/0	8	Bearing	Cuscinetto	Coussinet	Lager	
2	81007336/0	2	Wheel, Knobbly Ø 170	Ruota Scolpita Ø 170	Roue Sculptee Ø 170	Rad M. Stollenpr. Ø 170	
4	81007337/0	2	Wheel, Knobbly Ø 210	Ruota Scolpita Ø 210	Roue Sculptee Ø 210	Rad M. Stollenpr. Ø 210	
6	12521350/0	4	Washer	Rosetta	Rondelle	Scheibe	
7	12155000/0	4	Nut	Dado	Ecrou	Mutter	
8	12530150/0	4	Elastic Washer	Rosetta Elastica	Rondelle Elastique	Elastische Scheibe	
9	12369500/0	4	Elastic Washer	Rosetta Elastica	Rondelle Elastique	Elastische Scheibe	



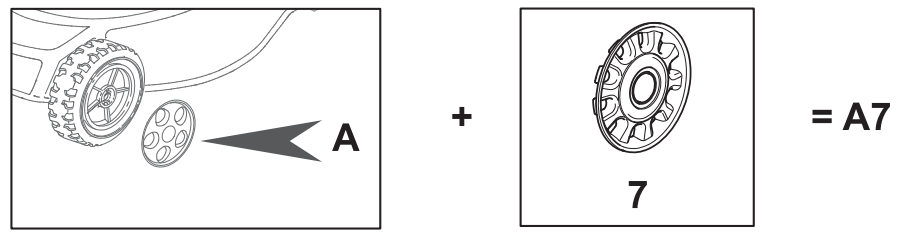
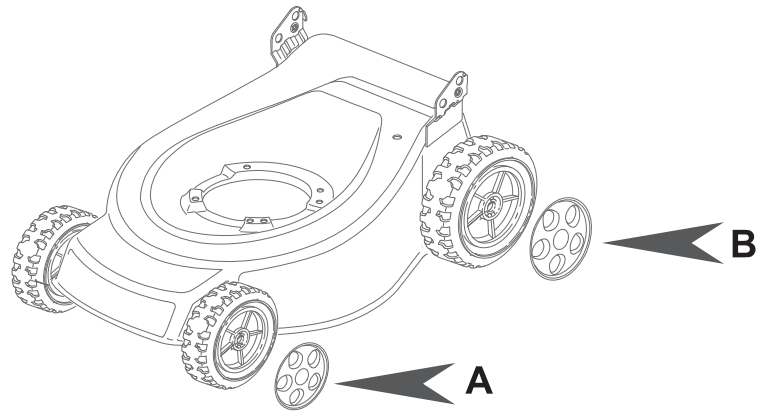
POS	PART. NO	Q.ty	DESCRIPTION	DESCRIZIONE	DESCRIPTION	BESCHREIBUNG	REMARKS
1	22034508/0	8	Bush	Bussola	Douille	Buchse	
2	81007336/0	4	Wheel, Knobbly Ø 170	Ruota Scolpita Ø 170	Roue Sculptee Ø 170	Rad M. Stollenpr. Ø 170	
6	12523060/0	4	Washer	Rosetta	Rondelle	Scheibe	
7	12155000/0	4	Nut	Dado	Ecrou	Mutter	



POS	PART. NO	Q.ty	DESCRIPTION	DESCRIZIONE	DESCRIPTION	BESCHREIBUNG	REMARKS
1	22122200/0	8	Bearing	Cuscinetto	Coussinet	Lager	
2	81007326/0	2	Wheel Ø 170	Ruota Rigata Ø 170	Roue Ø 170	Rad. Ø 170	
4	81007328/0	2	Wheel Ø 210	Ruota Rigata Ø 210	Roue Ø 210	Rad. Ø 210	
6	12523060/0	4	Washer	Rosetta	Rondelle	Scheibe	
7	12155000/0	4	Nut	Dado	Ecrou	Mutter	
8	12530150/0	4	Elastic Washer	Rosetta Elastica	Rondelle Elastique	Elastische Scheibe	



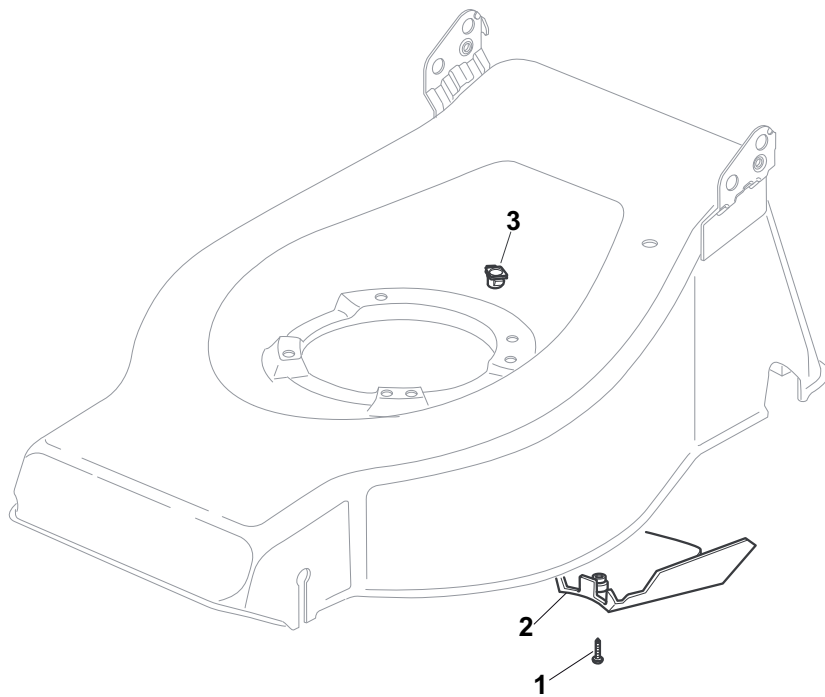
POS	PART. NO	Q.ty	DESCRIPTION	DESCRIZIONE	DESCRIPTION	BESCHREIBUNG	REMARKS
1	22034508/0	8	Bush	Bussola	Douille	Buchse	
2	81007326/0	2	Wheel Ø 170	Ruota Rigata Ø 170	Roue Ø 170	Rad. Ø 170	
4	81007328/0	2	Wheel Ø 210	Ruota Rigata Ø 210	Roue Ø 210	Rad. Ø 210	
6	12523060/0	4	Washer	Rosetta	Rondelle	Scheibe	
7	12155000/0	4	Nut	Dado	Ecrou	Mutter	



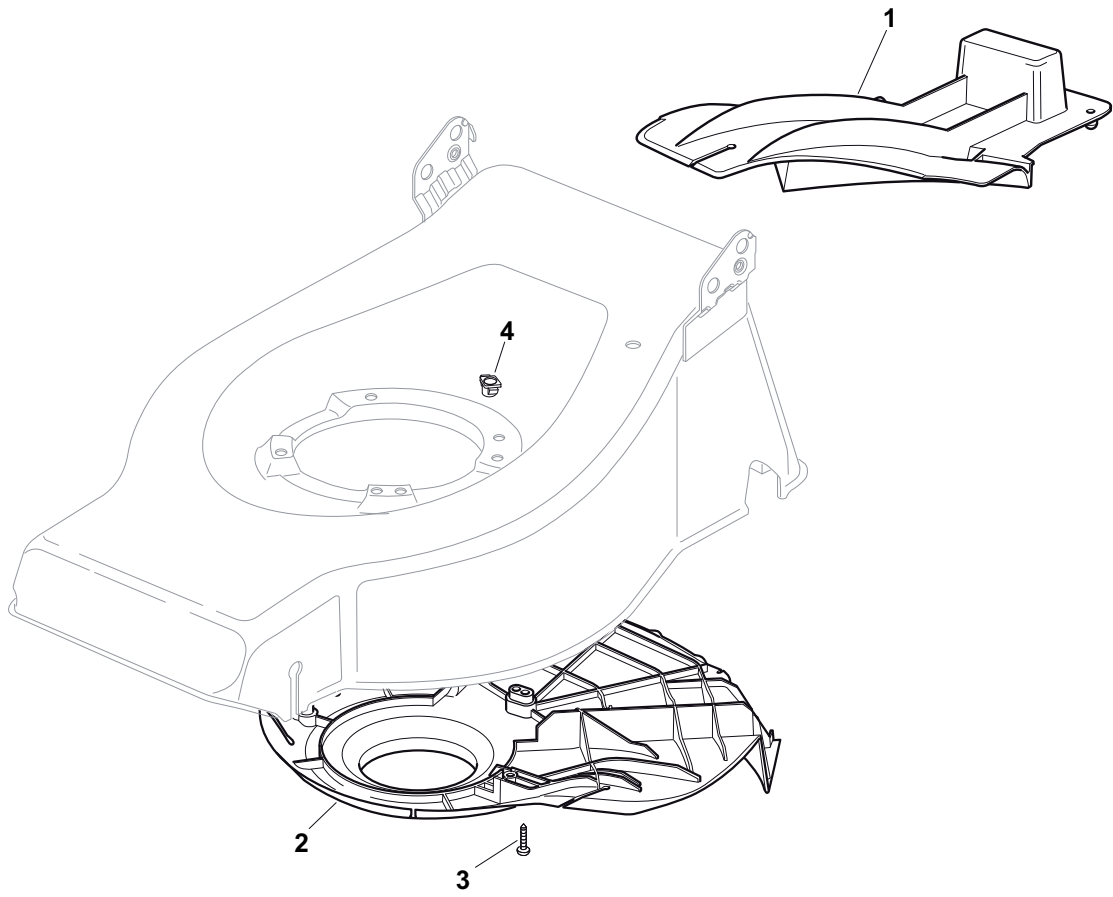
- 1**
- 2**
- 3**
- 4**
- 5**
- 6**
- 7**
- 8**



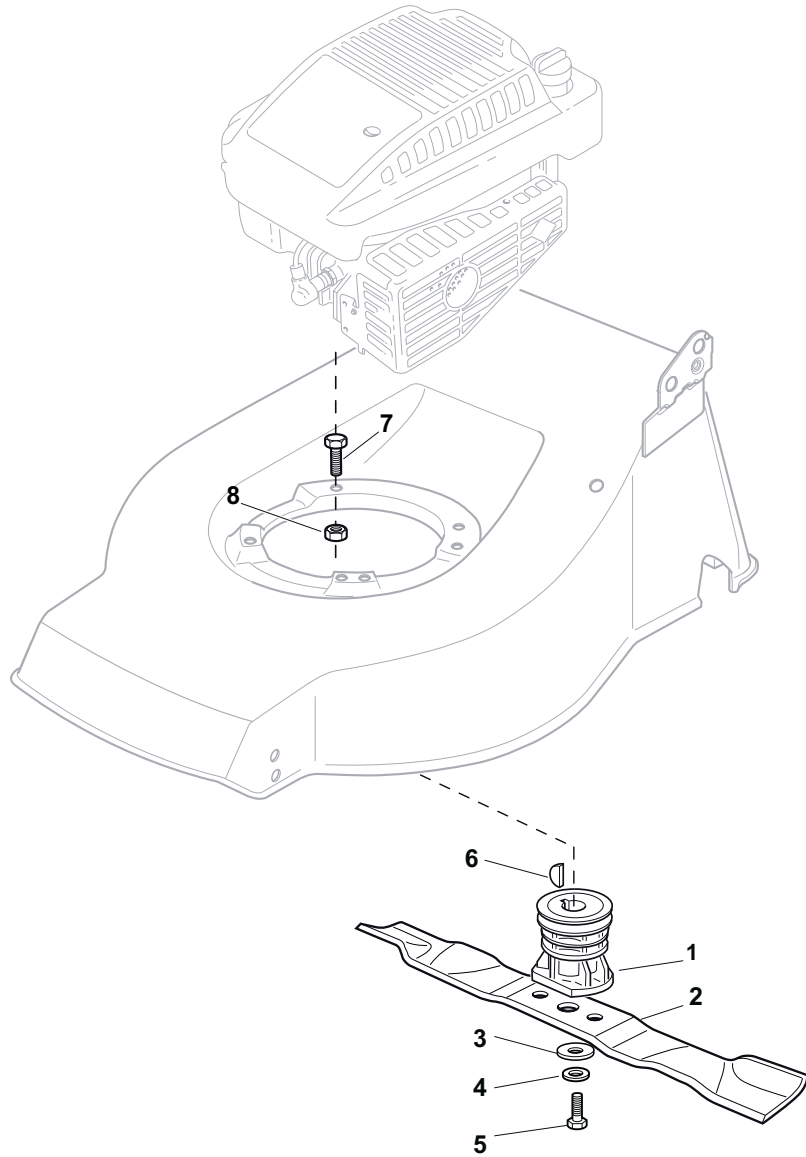
POS	PART. NO	Q.ty	DESCRIPTION	DESCRIZIONE	DESCRIPTION	BESCHREIBUNG	REMARKS
B1	22110251/0	4	Hub Cap White	Coprimozzo Bianco	Couvre-Moyeu Blanc	Radkappe Weiße	
A1	22110252/1	4	Hub Cap White	Coprimozzo Bianco	Couvre-Moyeu Blanc	Radkappe Weiße	
B1	22110253/0	4	Hub Cap Yellow	Coprimozzo Giallo	Couvre-Moyeu Jaune	Radkappe Gelbe	
A1	22110254/1	4	Hub Cap Yellow	Coprimozzo Giallo	Couvre-Moyeu Jaune	Radkappe Gelbe	
B1	22110255/1	4	Hub Cap Red	Coprimozzo Rosso	Couvre-Moyeu Rouge	Radkappe Rot	
A1	22110256/0	4	Hub Cap Red	Coprimozzo Rosso	Couvre-Moyeu Rouge	Radkappe Rot	
B2	22110313/0	4	Hub Cap White	Coprimozzo Bianco	Couvre-Moyeu Blanc	Radkappe Weiße	
B2	22110314/0	4	Hub Cap Grey	Coprimozzo Grigio	Couvre-Moyeu Gris	Radkappe Grau	
A2	22110344/0	4	Hub Cap White	Coprimozzo Bianco	Couvre-Moyeu Blanc	Radkappe Weiße	
A2	22110395/0	4	Hub Cap Grey	Coprimozzo Grigio	Couvre-Moyeu Gris	Radkappe Grau	
A3	22110347/0	4	Hub Cap Grey	Coprimozzo Grigio	Couvre-Moyeu Gris	Radkappe Grau	
A3	22110348/0	4	Hub Cap Grey	Coprimozzo Grigio	Couvre-Moyeu Gris	Radkappe Grau	
A4	22110381/0	4	Hub Cap Grey	Coprimozzo Grigio	Couvre-Moyeu Gris	Radkappe Grau	
B4	22110382/0	4	Hub Cap Grey	Coprimozzo Grigio	Couvre-Moyeu Gris	Radkappe Grau	
A5	22110416/0	4	Hub Cap Grey	Coprimozzo Grigio	Couvre-Moyeu Gris	Radkappe Grau	
B5	22110417/0	4	Hub Cap Grey	Coprimozzo Grigio	Couvre-Moyeu Gris	Radkappe Grau	
A6	22110491/0	4	Hub Cap Grey	Coprimozzo Grigio	Couvre-Moyeu Gris	Radkappe Grau	
B6	22110492/0	4	Hub Cap Grey	Coprimozzo Grigio	Couvre-Moyeu Gris	Radkappe Grau	
A7	22110493/0	4	Hub Cap Grey	Coprimozzo Grigio	Couvre-Moyeu Gris	Radkappe Grau	
B7	22110494/0	4	Hub Cap Grey	Coprimozzo Grigio	Couvre-Moyeu Gris	Radkappe Grau	
A8	22110495/0	4	Hub Cap Grey	Coprimozzo Grigio	Couvre-Moyeu Gris	Radkappe Grau	
B8	22110496/0	4	Hub Cap Grey	Coprimozzo Grigio	Couvre-Moyeu Gris	Radkappe Grau	



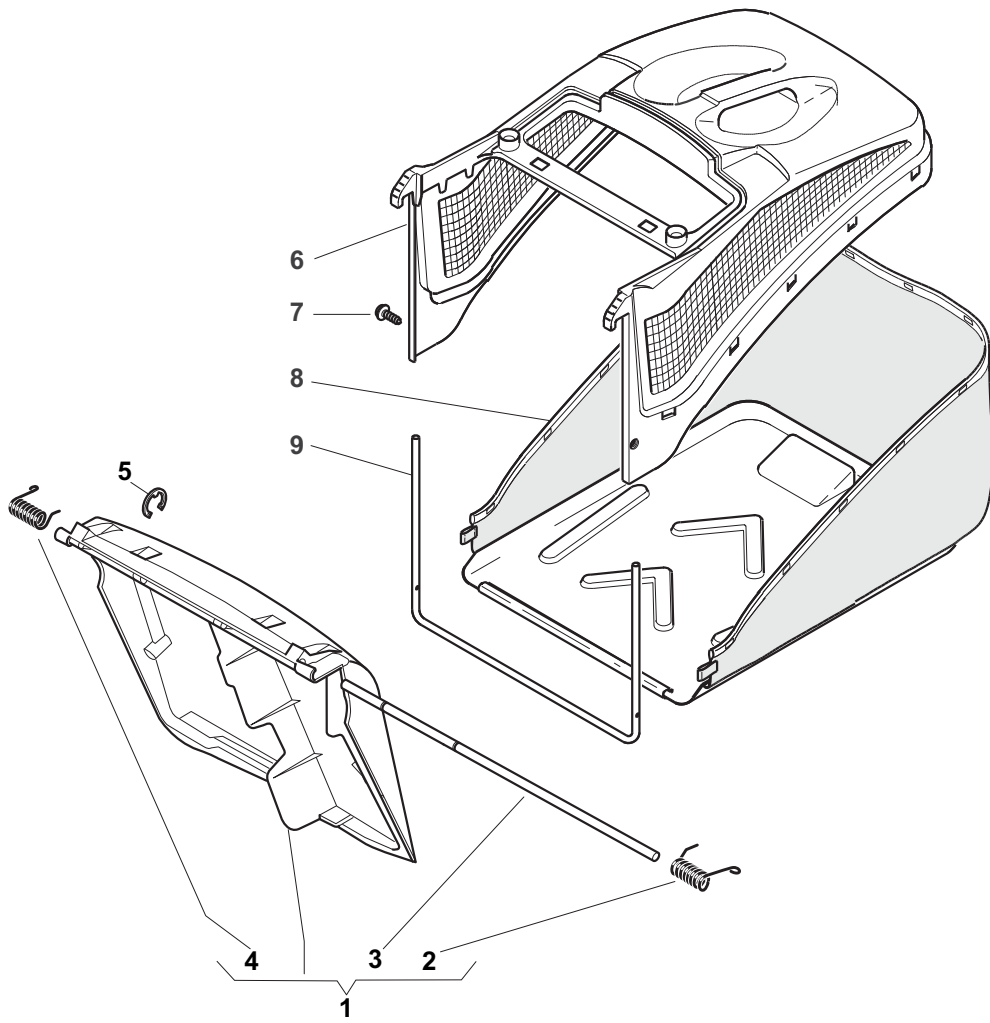
POS	PART. NO	Q.ty	DESCRIPTION	DESCRIZIONE	DESCRIPTION	BESCHREIBUNG	REMARKS
1	12728530/0	1	Screw	Vite	Vis	Schraube	
2	122060196/0	1	Protection, Belt	Carter Cinghia	Protection	Schutz, Riemen	
3	22291150/0	1	Rubber Insert	Insero In Gomma	Insert De	Gummi Einsatz	



POS	PART. NO	Q.ty	DESCRIPTION	DESCRIZIONE	DESCRIPTION	BESCHREIBUNG	REMARKS
1	22140222/0	1	Deflector	Deflettore	Deflecteur	Deflektor	
2	322060197/3	1	Protection	Carter	Protection	Schutz	
3	12728530/0	3	Screw	Vite	Vis	Schraube	
4	22291150/0	1	Rubber Insert	Inserto In Gomma	Insert De	Gummi Einsatz	

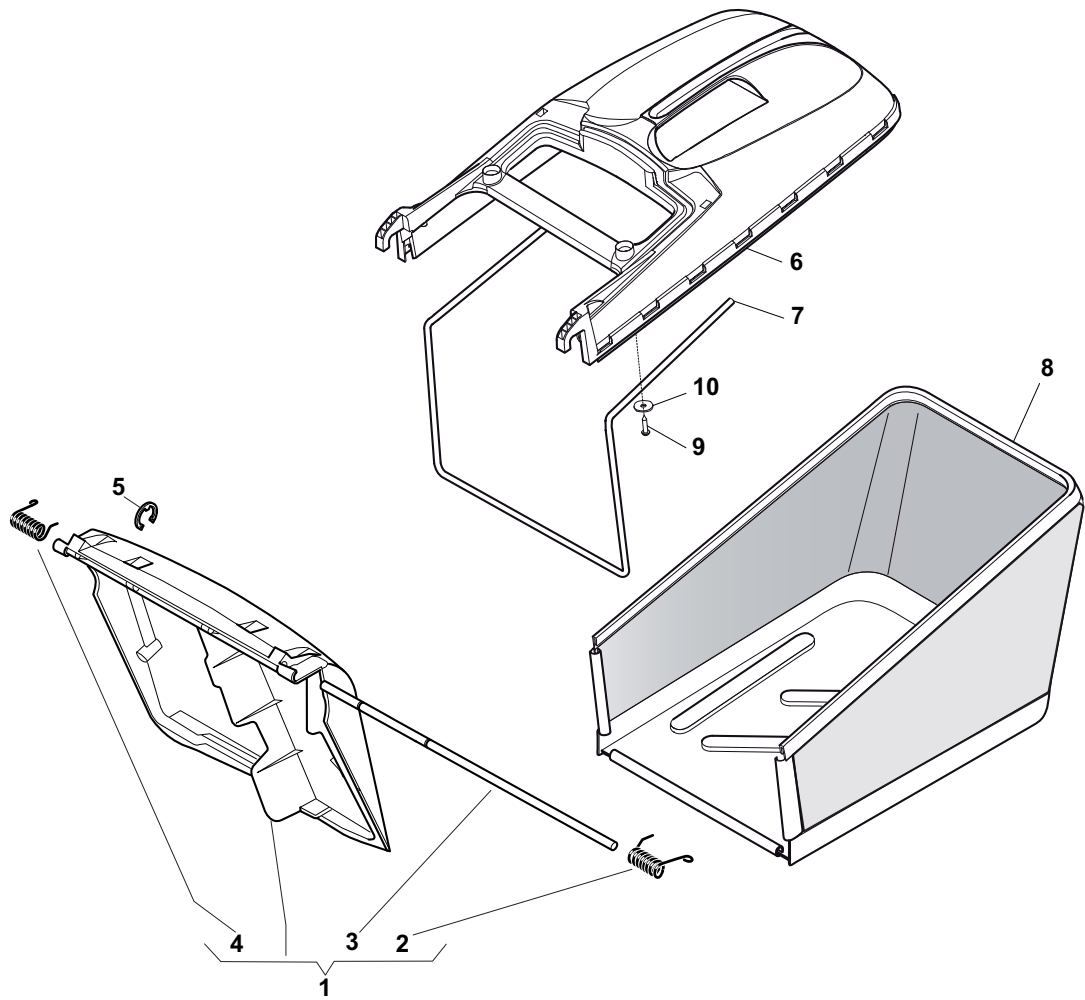


POS	PART. NO	Q.ty	DESCRIPTION	DESCRIZIONE	DESCRIPTION	BESCHREIBUNG	REMARKS
1	122465607/3	1	Hub With Pulley, Crankshaft Ø 22	Mozzo Con Puleggia, Albero Motore Ø 22	Moyeu Avec Poulie, Arbre Moteur Ø 22	Nabe Mit Scheibe, Motorwelle Ø 22	GGP-B&S
1	122465608/2	1	Hub With Pulley, Crankshaft Ø 25	Mozzo Con Puleggia, Albero Motore Ø 25	Moyeu Avec Poulie, Arbre Moteur Ø 25	Nabe Mit Scheibe, Motorwelle Ø 25	Honda
2	81004381/1	1	Blade Standard	Coltello Standard	Lame Standard	Messer Standard	
2	81004398/0	1	Blade Winged	Coltello Alettato	Lame Ailette	Messer Flügel	
3	22160400/0	1	Elastic Washer	Disco Elastico	Rondelle Elastique	Elastischescheibe	
4	12523080/0	1	Washer	Rosetta	Rondelle	Scheibe	
5	12735698/0	1	Screw	Vite	Vis	Schraube	
6	12139100/0	1	Feather, Crankshaft Ø 22.2	Linguetta, Albero Motore Ø 22.2	Clavette, Arbre Moteur Ø 22.2	Keil, Motorwelle Ø 22.2	GGP-B&S
6	12139150/0	1	Feather, Crankshaft Ø 25	Linguetta, Albero Motore Ø 25	Clavette, Arbre Moteur Ø 25	Keil, Motorwelle Ø 25	Honda
7	112691100/0	1	Screw	Vite	Vis	Schraube	
7	112793701/0	2	Screw	Vite	Vis	Schraube	
8	112154210/0	3	Nut	Dado	Ecrou	Mutter	

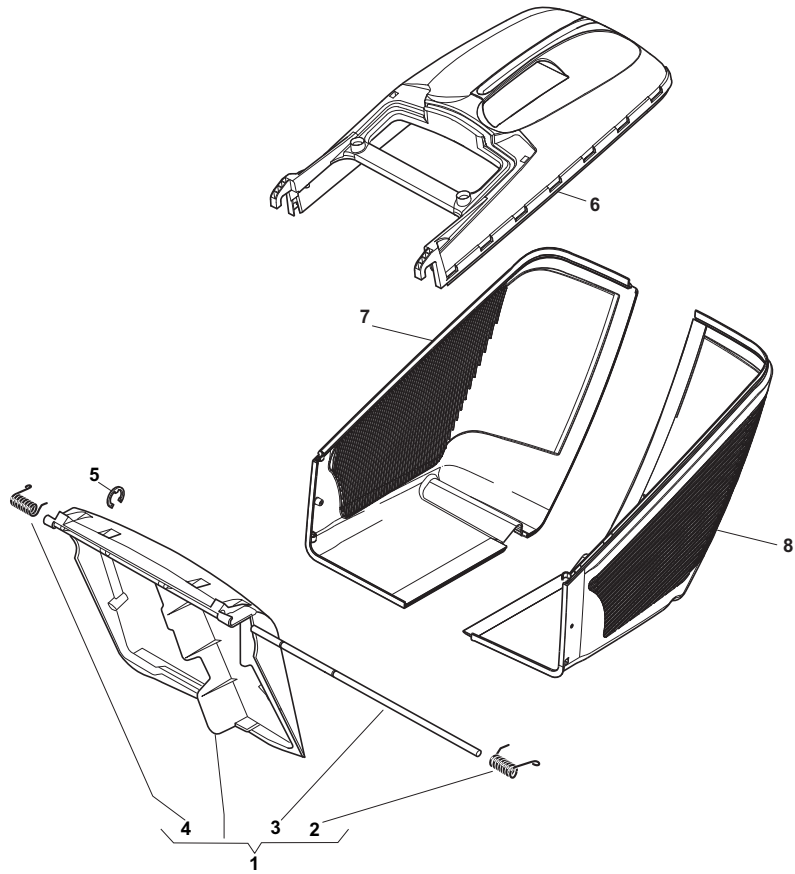




POS	PART. NO	Q.ty	DESCRIPTION	DESCRIZIONE	DESCRIPTION	BESCHREIBUNG	REMARKS
1	381008021/2	1	Stone-Guard	Parasassi	Pare-Pierres	Prallblech	
2	22450420/1	1	R Spring	Molla Dx	Ressort D	Rechte Feder	
3	22517906/1	1	Pin	Perno	Pivot	Bolzen	
4	22450410/1	1	L Spring	Molla Sx	Ressort G	Linke Feder	
5	12000930/0	1	Snap Ring	Anello Elastico	Anneau Ressort	Sprengring	
6	22486093/0	1	Grass-Box, Upper	Sacco, Parte Sup	Sac, Partie	Korb, Oberteil	
7	12728445/0	2	Screw	Vite	Vis	Schraube	
8	81002195/0	1	Box, Fabric	Sacco, Tela	Sac, Toile	Sack, Tuck	
9	22608523/0	1	Stiffening Lower	Rinforzo Inf	Réinforcement Inf	Verstärkung	



POS	PART. NO	Q.ty	DESCRIPTION	DESCRIZIONE	DESCRIPTION	BESCHREIBUNG	REMARKS
1	381008021/2	1	Stone-Guard	Parasassi	Pare-Pierres	Prallblech	
2	22450420/1	1	L Spring	Molla Sx	Ressort G	Linke Feder	
3	22517906/1	1	Pin	Perno	Pivot	Bolzen	
4	22450410/1	1	R Spring	Molla Dx	Ressort D	Rechte Feder	
5	12000930/0	1	Snap Ring	Anello Elastico	Anneau Ressort	Sprengring	
6	22486101/0	1	Grass-Box, Upper	Sacco, Parte Sup	Sac, Partie	Korb, Oberteil	
7	22608525/0	1	Stiffening Lower	Rinforzo Inf	Réinforcement Inf	Verstärkung	
8	81002211/0	1	Box, Fabric	Sacco, Tela	Sac, Toile	Sack, Tuck	
9	12728680/0	2	Screw	Vite	Vis	Schraube	
10	12523050/0	2	Washer	Rosetta	Rondelle	Scheibe	



POS	PART. NO	Q.ty	DESCRIPTION	DESCRIZIONE	DESCRIPTION	BESCHREIBUNG	REMARKS
1	381008021/2	1	Stone-Guard	Parasassi	Pare-Pierres	Prallblech	
2	22450420/1	1	L Spring	Molla Sx	Ressort G	Linke Feder	
3	22517906/1	1	Pin	Perno	Pivot	Bolzen	
4	22450410/1	1	R Spring	Molla Dx	Ressort D	Rechte Feder	
5	12000930/0	1	Snap Ring	Anello Elastico	Anneau Ressort	Sprengring	
6	22486101/0	1	Grass-Box, Upper	Sacco, Parte Sup	Sac, Partie	Korb, Oberteil	
7	322486150/1	1	Grass-Box, R Lower	Sacco, Parte Inf Dx	Sac, Partie Inf. D	Korb, R Unterteil	
8	322486151/1	1	Grass-Box, L Lower	Sacco, Parte Inf Sx	Sac, Partie Inf. G	Korb, L Unterteil	