

ILLUSTRATED PARTS LIST

DM 554 W TR

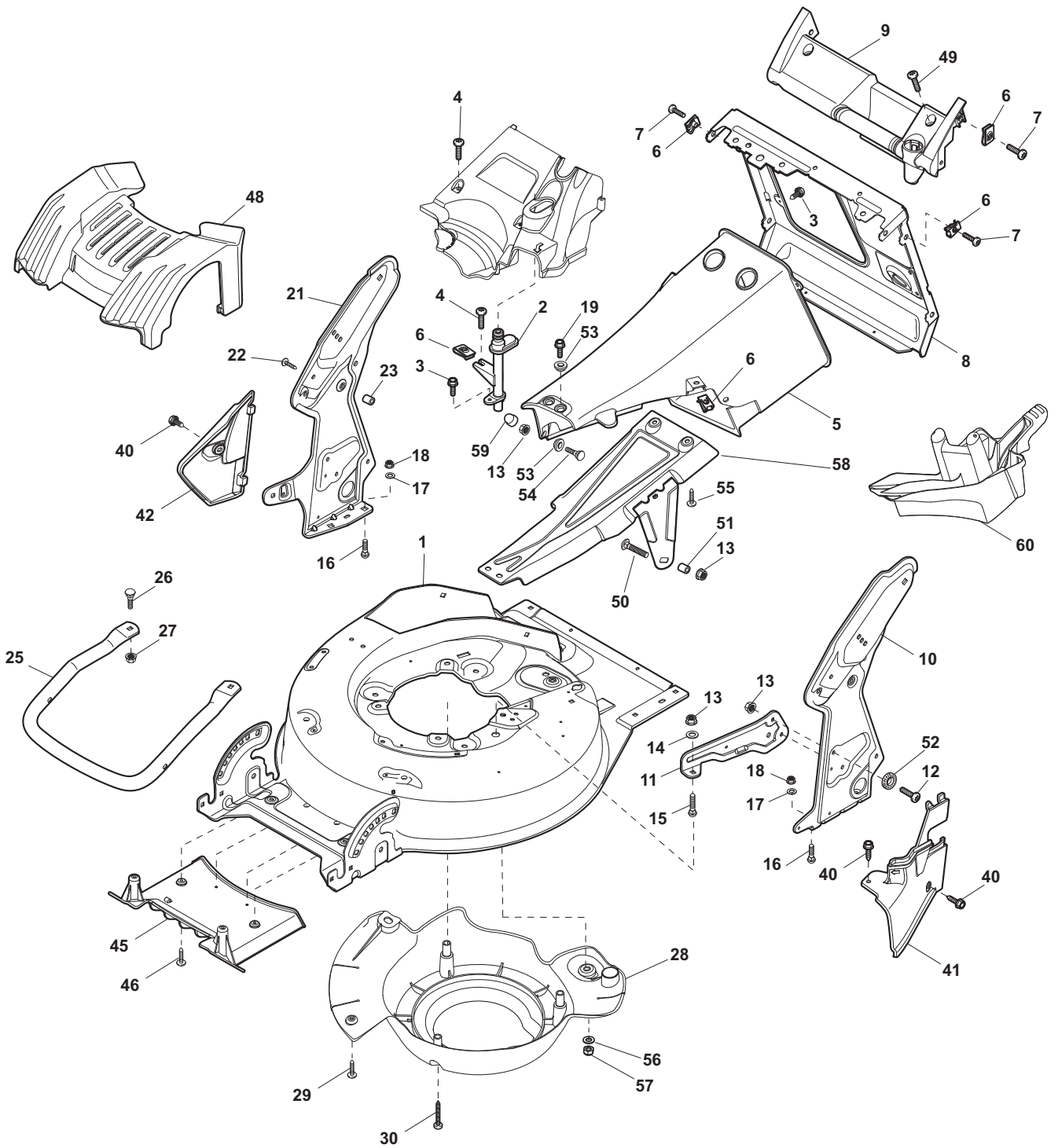


- Use GLOBAL GARDEN PRODUCT Genuine Spare Parts specified in the parts list for repair and/or replacement.
- The contents described in the parts list may change due to improvement.
- The drawings of the spare parts are only indicative and might not represent the part in question exactly.
- The indications "right" - "left" - "front" - "rear" refer to the position of the operator when using the machine.
- When placing orders of parts for repair and/or replacement, make sure that the illustrated parts list is the one applying to the machine's year of manufacture, as shown on the identification plate attached to the machine.

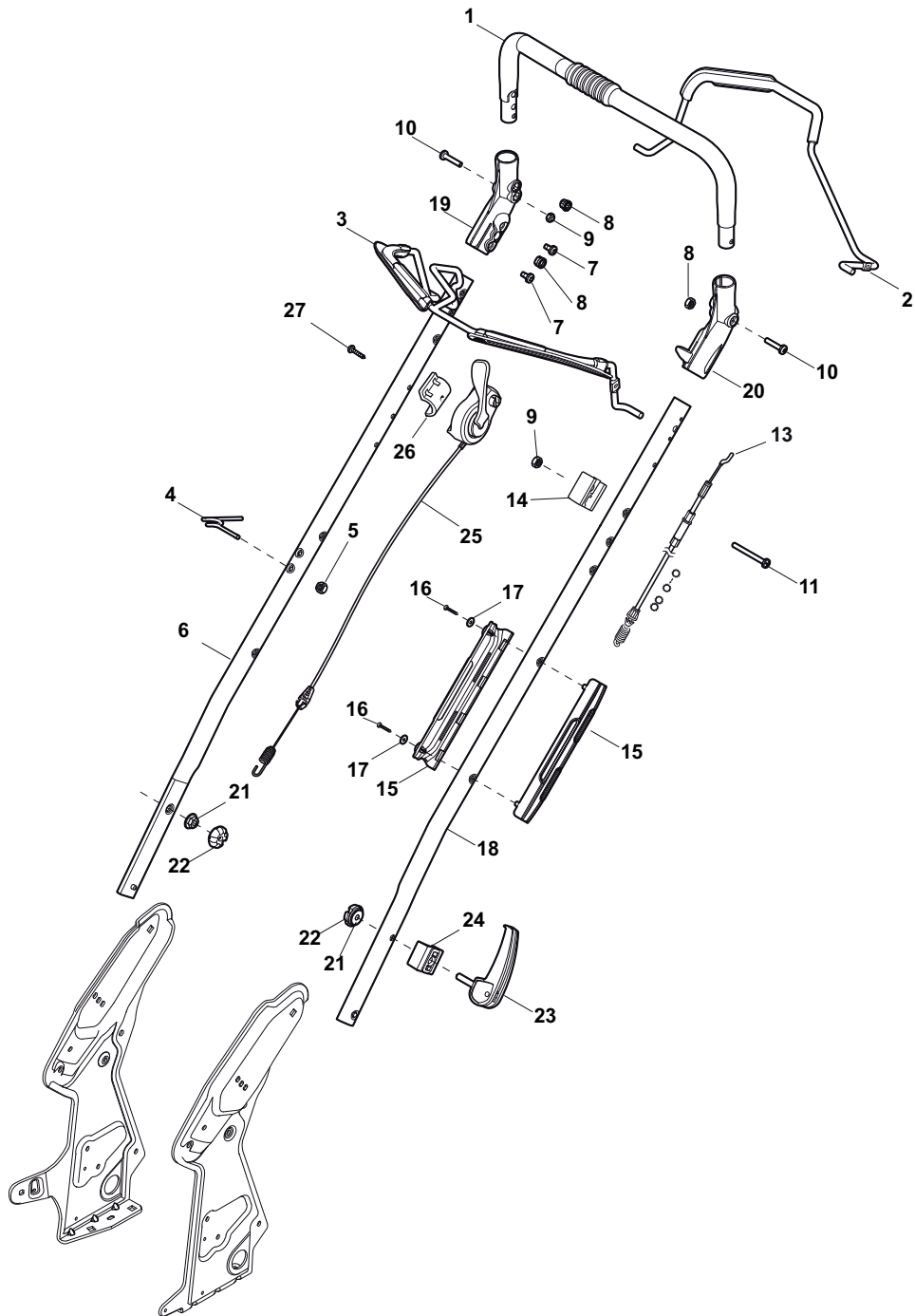
© Copyright 2012 Global Garden Products

All content is subject to copyright by Global Garden Products and may not be reproduced in whole or in part by any means, electronic or otherwise, without prior written approval.

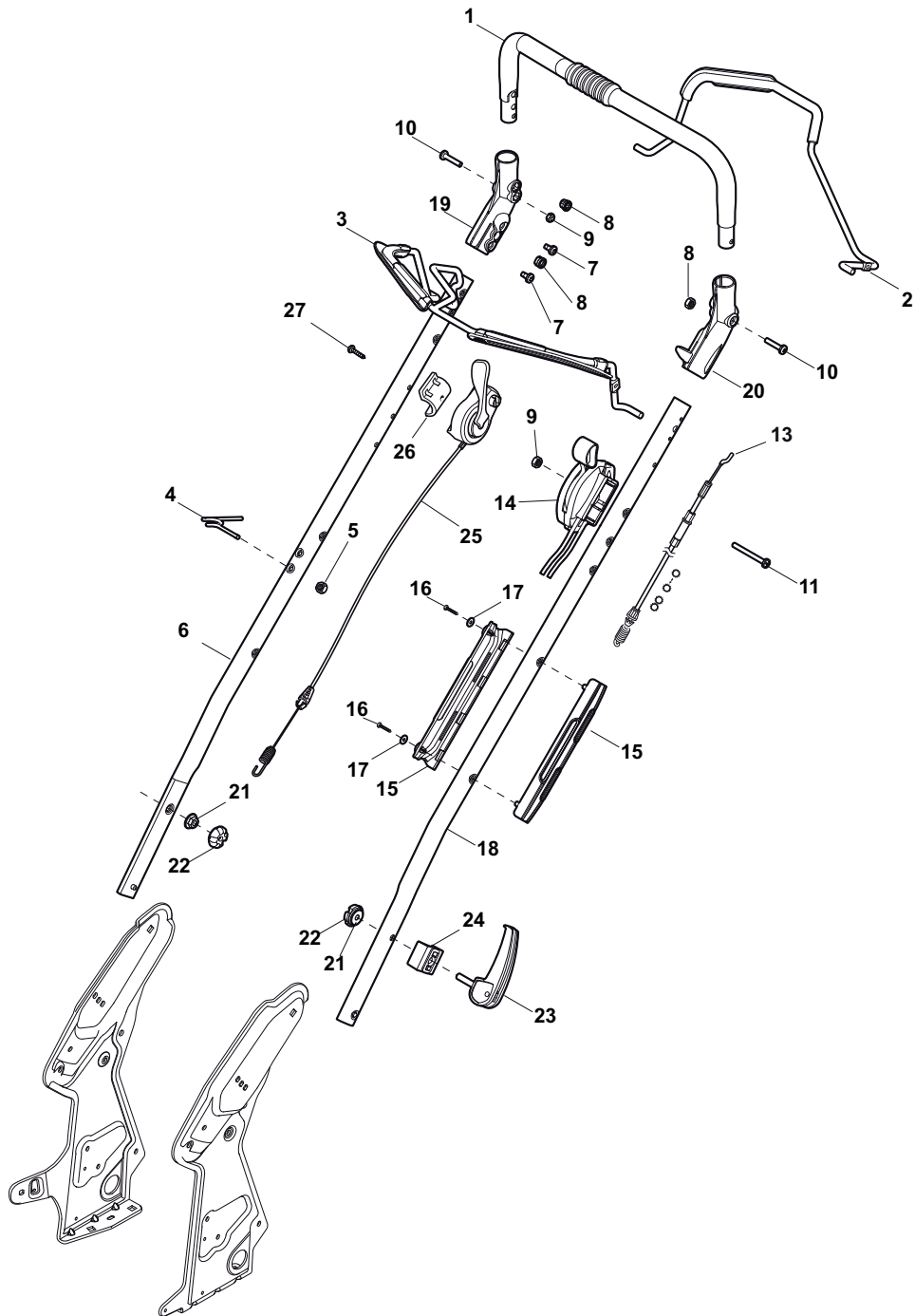
THIS INFORMATION IS NOT INTENDED FOR SALE OR RESALE, AND THIS NOTICE MUST REMAIN ON ALL COPIES.



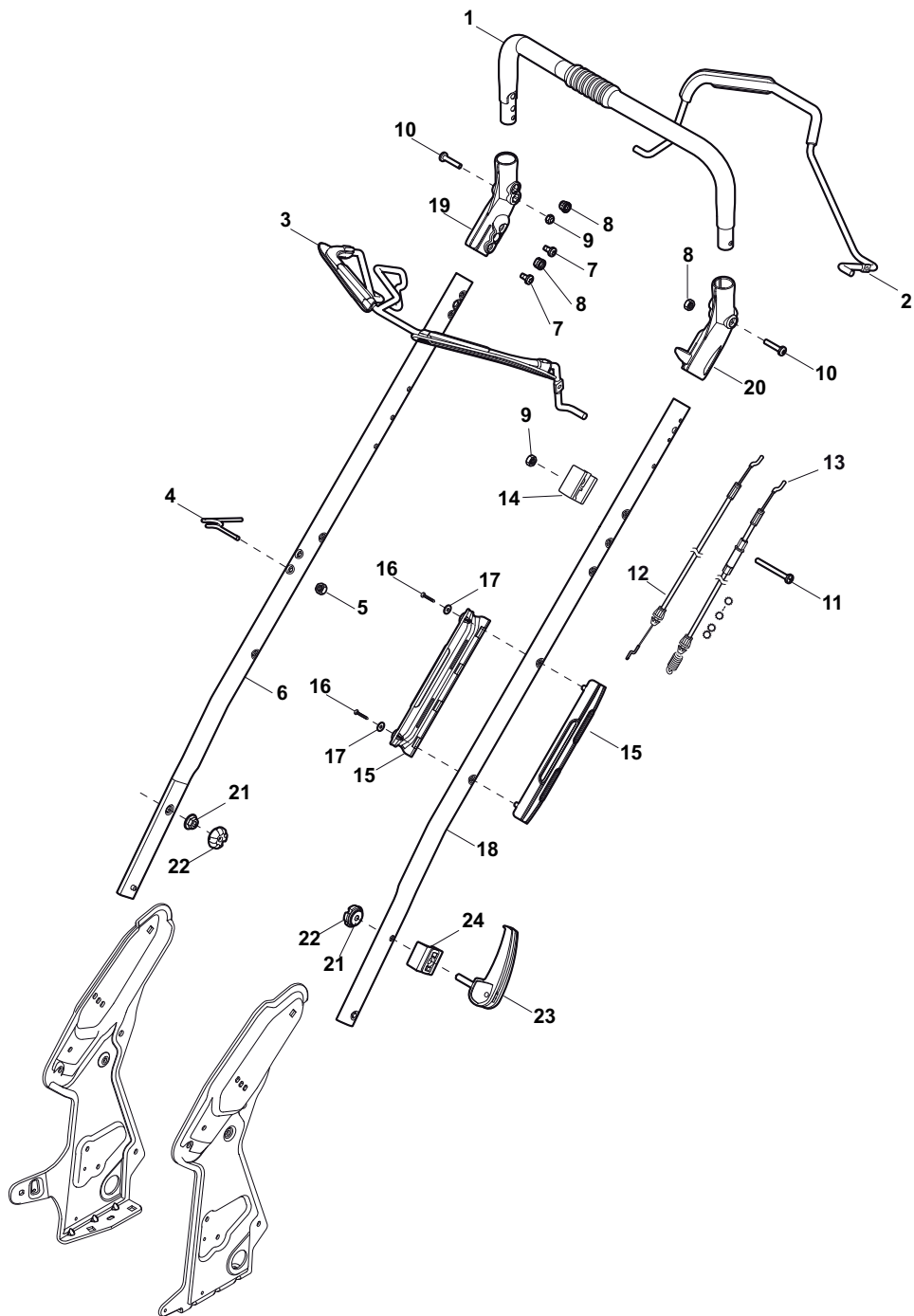
| POS | PART. NO | Q.ty | DESCRIPTION | DESCRIZIONE | DESCRIPTION | BESCHREIBUNG | REMARKS |
|-----|-------------|------|---------------------|----------------------|---------------------|--------------------|---------|
| 1 | 381004054/0 | 1 | Deck Yellow | Chassis Giallo | Châssis Jaune | Gehäuse Gelb | |
| 2 | 322034001/1 | 1 | Washing Connection | Attacco Lavaggio | Attaque Lavage | Waschenverbindung | |
| 3 | 125943004/0 | 5 | Screw | Vite | Vis | Schraube | |
| 4 | 112727802/0 | 2 | Screw | Vite | Vis | Schraube | |
| 5 | 322108294/0 | 1 | Conveyor Yellow | Convogliatore Giallo | Convoyeur Jaune | Leitblechsatz Gelb | |
| 6 | 112437507/0 | 12 | Plate | Piastrina | Plaquette | Plättchen | |
| 7 | 112727802/0 | 8 | Screw | Vite | Vis | Schraube | |
| 8 | 381545321/1 | 1 | Rear Plate | Piastra Posteriore | Plaque Arriere | Hintere Platte | TR |
| 8 | 381545323/1 | 1 | Rear Plate | Piastra Posteriore | Plaque Arriere | Hintere Platte | TR/E |
| 9 | 322785282/0 | 1 | Support | Supporto | Support | Halter | |
| 10 | 381545333/0 | 1 | Bracket, L | Staffa Sx | Bride G | Pratze, Linke | |
| 11 | 322545191/0 | 1 | Support | Supporto | Support | Halter | |
| 12 | 112727803/0 | 2 | Screw | Vite | Vis | Schraube | |
| 13 | 12154510/0 | 4 | Nut | Dado | Ecrou | Mutter | |
| 14 | 12521330/0 | 1 | Washer | Rosetta | Rondelle | Scheibe | |
| 15 | 12815200/0 | 1 | Screw | Vite | Vis | Schraube | |
| 16 | 12818690/0 | 4 | Screw | Vite | Vis | Schraube | |
| 17 | 12521350/0 | 4 | Washer | Rosetta | Rondelle | Scheibe | |
| 18 | 12155000/0 | 4 | Nut | Dado | Ecrou | Mutter | |
| 19 | 12729601/1 | 2 | Screw | Vite | Vis | Schraube | |
| 21 | 381545331/0 | 1 | Bracket, R | Staffa Dx | Bride D | Pratze, Rechte | |
| 22 | 112735662/1 | 2 | Screw | Vite | Vis | Schraube | |
| 23 | 122534128/0 | 2 | Pin | Piolo | Bondon | Dübel | |
| 25 | 381393702/0 | 2 | Protection | Protezione | Protection | Schutz | |
| 26 | 12815205/0 | 2 | Screw | Vite | Vis | Schraube | |
| 27 | 12154510/0 | 2 | Nut | Dado | Ecrou | Mutter | |
| 28 | 322060240/0 | 1 | Protection Mulching | Carter Mulching | Protection Mulching | Schutz Mulching | |
| 29 | 125943004/0 | 2 | Screw | Vite | Vis | Schraube | |
| 30 | 112735115/0 | 3 | Screw | Vite | Vis | Schraube | |
| 31 | 322500052/2 | 1 | Shoe | Pattino | Bloc De Glissement | Gleitblock | |
| 32 | 12731580/0 | 2 | Screw | Vite | Vis | Schraube | |
| 33 | 12521331/0 | 2 | Washer | Rosetta | Rondelle | Scheibe | |
| 34 | 381003338/0 | 1 | Lever | Leva Comando | Levier | Hebel | |
| 35 | 21660100/0 | 1 | Washer | Rosetta | Rondelle | Scheibe | |
| 36 | 12521370/0 | 1 | Washer | Rondella | Rondelle | Scheibe | |
| 37 | 12154210/0 | 1 | Nut | Dado | Ecrou | Mutter | |
| 38 | 322320009/0 | 1 | Lever | Leva | Levier | Hebel | |
| 39 | 122042022/0 | 1 | Bush | Bussola | Douille | Buchse | |
| 40 | 125943004/0 | 3 | Screw | Vite | Vis | Schraube | |
| 41 | 322109830/0 | 1 | Guard Black | Carter Nero | Carter Noire | Blech Schwarz | |
| 42 | 322109825/0 | 1 | Guard Black | Carter Nero | Carter Noire | Blech Schwarz | |
| 45 | 322500101/0 | 1 | Air Intake Grill | Griglia Aspirazione | Grille D'Aspiration | Ansauggitter | |
| 46 | 112728706/0 | 2 | Screw | Vite | Vis | Schraube | |
| 46 | 12728703/0 | 4 | Screw | Vite | Vis | Schraube | |
| 48 | 322226140/0 | 1 | Mask, Yellow | Mascherina, Giallo | Mesque, Jaune | Maske, Gelb | |
| 48 | 322226141/0 | 1 | Mask, Black | Mascherina, Nero | Mesque, Noir | Maske, Schwarz | |
| 49 | 112727801/0 | 2 | Screw | Vite | Vis | Schraube | |
| 50 | 112815270/0 | 2 | Screw | Vite | Vis | Schraube | |
| 51 | 122671664/0 | 2 | Spacer | Distanziale | Entretoise | Distanzring | |
| 52 | 12540040/0 | 2 | Washer | Rosetta | Rondelle | Scheibe | |
| 53 | 325160039/0 | 6 | Spacer | Distanziale | Entretoise | Distanzring | |
| 54 | 112794986/0 | 1 | Screw | Vite | Vis | Schraube | |
| 55 | 112727799/0 | 2 | Screw | Vite | Vis | Schraube | |
| 56 | 12521350/0 | 1 | Washer | Rondella | Rondelle | Scheibe | |
| 57 | 12155000/0 | 1 | Nut | Dado | Ecrou | Mutter | |
| 58 | 381608501/0 | 1 | Stiffening Lower | Rinforzo Inf | Réinforcement Inf | Verstärkung | |
| 59 | 18203853/0 | 1 | Protection | Cappuccio | Capuchon | Stecker | |
| 60 | 322140238/0 | 1 | Deflector | Deflettore Mulching | Deflecteur | Deflektor | |



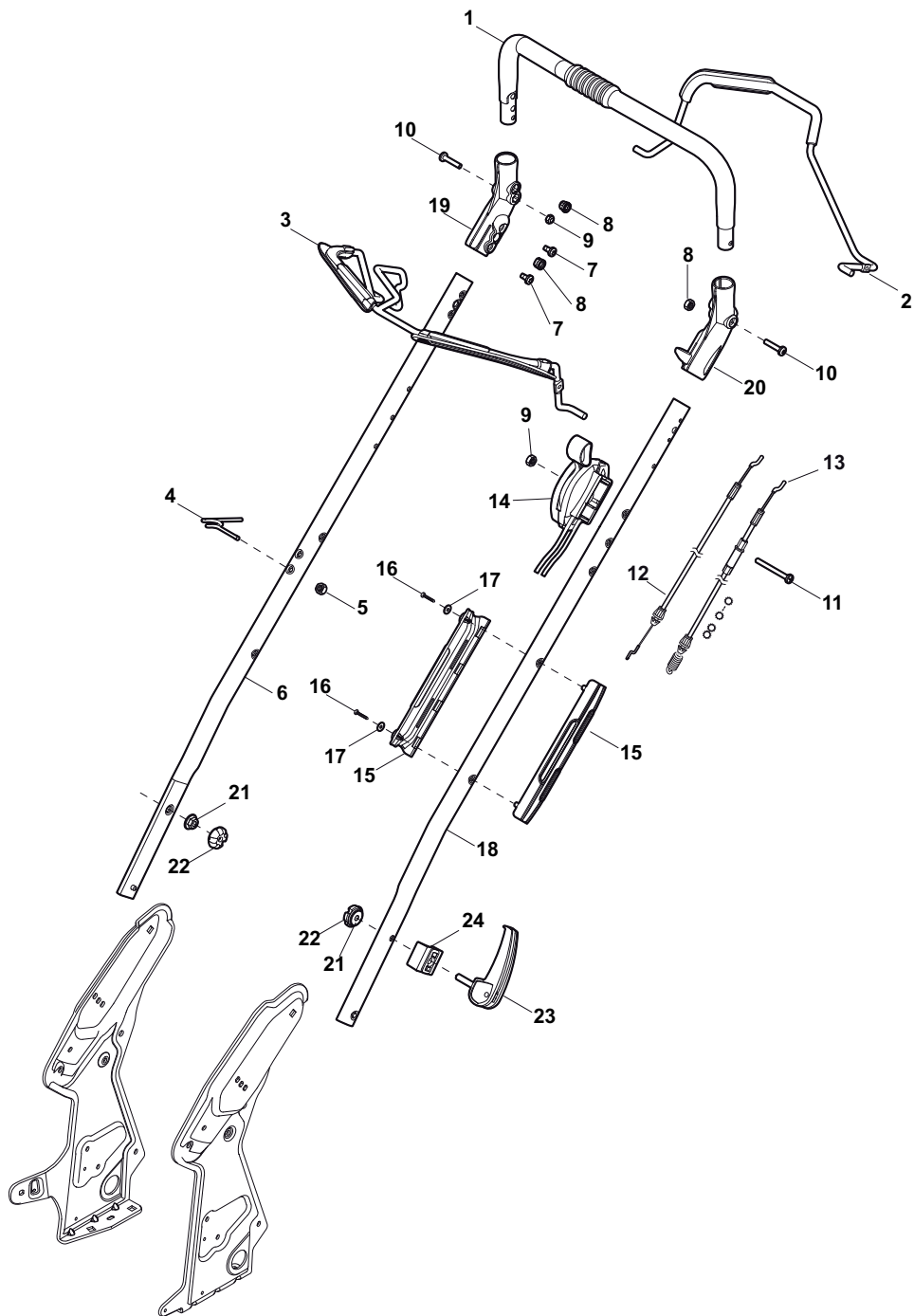
| POS | PART. NO | Q.ty | DESCRIPTION | DESCRIZIONE | DESCRIPTION | BESCHREIBUNG | REMARKS |
|-----|-------------|------|-----------------------------|------------------------------------|--|--------------------------------|---------|
| 1 | 381006670/2 | 1 | Handgrip | Impugnatura Manico | Poignée | Handgriff | |
| 2 | 381003349/0 | 1 | Lever, Driving | Leva Trazione | Levier Traction | Hebel, Antrieb | |
| 3 | 381003346/0 | 1 | Lever, Engine Brake | Leva Freno Motore | Levier Frein Moteur | Hebel, Motorbremse | |
| 4 | 22430309/0 | 1 | Guide Spring | Molla Guida | Ressort De Guide | Feder Führer | |
| 5 | 12154330/0 | 1 | Nut | Dado | Ecrou | Mutter | |
| 6 | 381006895/0 | 1 | Handle Black, R | Manico Nero, Dx | Mancheron Noire, D | Holm Schwarz, Rechte | |
| 6 | 381006821/0 | 1 | Handle Grey, R | Manico Grigio, Dx | Mancheron Gris, D | Holm Grau, Rechte | |
| 7 | 112735662/1 | 4 | Screw | Vite | Vis | Schraube | |
| 8 | 322041967/1 | 3 | Bush | Bussola | Douille | Buchse | |
| 9 | 12154510/0 | 3 | Nut | Dado | Ecrou | Mutter | |
| 10 | 112728721/0 | 2 | Screw | Vite | Vis | Schraube | |
| 11 | 12727784/0 | 1 | Screw | Vite | Vis | Schraube | |
| 13 | 381030068/0 | 1 | Cable, Rear Drive | Cavo Comando Trazione | Câble, Commande Traction | Kabel, Antrieb | |
| 14 | 322551639/0 | 1 | Plate | Piastrina | Plaquette | Plättchen | |
| 15 | 322806644/0 | 1 | Protection | Protezione | Protection | Schutz | |
| 16 | 12727812/0 | 2 | Screw | Vite | Vis | Schraube | |
| 17 | 112523000/1 | 2 | Washer | Rosetta | Rondelle | Scheibe | |
| 18 | 381006897/0 | 1 | Handle Black, L | Manico Nero, Sx | Mancheron Noire, G | Holm Schwarz, Linke | |
| 18 | 381006823/0 | 1 | Handle Grey, L | Manico Grigio, Sx | Mancheron Gris, G | Holm Grau, Linke | |
| 19 | 322488301/0 | 1 | Support | Supporto | Support | Halter | |
| 20 | 322488303/0 | 1 | Support | Supporto | Support | Halter | |
| 21 | 112154220/0 | 2 | Nut | Dado | Ecrou | Mutter | |
| 22 | 322399835/0 | 2 | Knob | Manopolina | Poignée | Griff | |
| 23 | 381003253/0 | 2 | Handle | Maniglia | Poignee | Griff | |
| 24 | 322680017/0 | 2 | Support | Supporto | Support | Halter | |
| 25 | 381030064/0 | 1 | Cable, Mechanical Clutch | Cavo Comando Frizione Meccanica | Câble, Commande Embrayage Mecanique | Kabel, Mechanische Kupplung | |
| 26 | 322000020/0 | 1 | Support | Supporto | Support | Halter | |
| 27 | 12727786/0 | 2 | Screw | Vite | Vis | Schraube | |



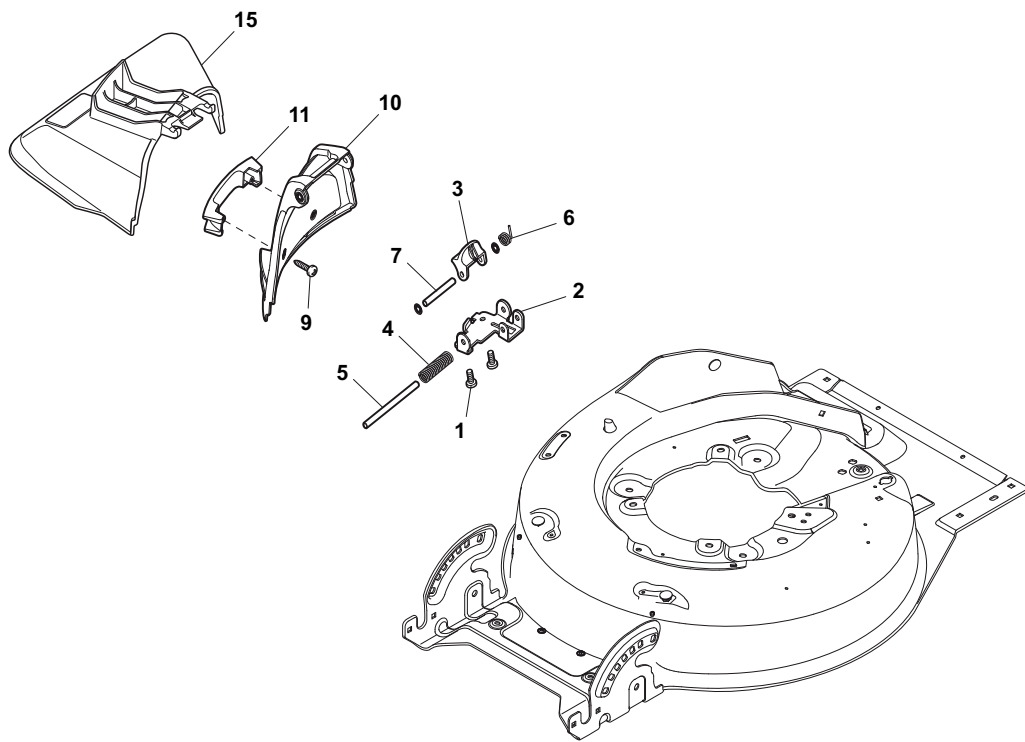
| POS | PART. NO | Q.ty | DESCRIPTION | DESCRIZIONE | DESCRIPTION | BESCHREIBUNG | REMARKS |
|-----|-------------|------|-----------------------------|------------------------------------|--|--------------------------------|---------|
| 1 | 381006670/2 | 1 | Handgrip | Impugnatura Manico | Poignée | Handgriff | |
| 2 | 381003349/0 | 1 | Lever, Driving | Leva Trazione | Levier Traction | Hebel, Antrieb | |
| 3 | 381003346/0 | 1 | Lever, Engine Brake | Leva Freno Motore | Levier Frein Moteur | Hebel, Motorbremse | |
| 4 | 22430309/0 | 1 | Guide Spring | Molla Guida | Ressort De Guide | Feder Führer | |
| 5 | 12154330/0 | 1 | Nut | Dado | Ecrou | Mutter | |
| 6 | 381006895/0 | 1 | Handle Black, R | Manico Nero, Dx | Mancheron Noire, D | Holm Schwarz, Rechte | |
| 6 | 381006821/0 | 1 | Handle Grey, R | Manico Grigio, Dx | Mancheron Gris, D | Holm Grau, Rechte | |
| 7 | 112735662/1 | 4 | Screw | Vite | Vis | Schraube | |
| 8 | 322041967/1 | 3 | Bush | Bussola | Douille | Buchse | |
| 9 | 12154510/0 | 3 | Nut | Dado | Ecrou | Mutter | |
| 10 | 112728721/0 | 2 | Screw | Vite | Vis | Schraube | |
| 11 | 12727786/0 | 1 | Screw | Vite | Vis | Schraube | |
| 13 | 381030067/0 | 1 | Cable, Rear Drive | Cavo Comando Trazione | Câble, Commande Traction | Kabel, Antrieb | |
| 14 | 181005509/0 | 1 | Throttle Cable | Cavo Acceleratore | Cable, Accelérateur | Gashebel Kabel | Honda |
| 14 | 181005510/0 | 1 | Throttle Cable | Cavo Acceleratore | Cable, Accelérateur | Gashebel Kabel | B&S |
| 15 | 322806644/0 | 1 | Protection | Protezione | Protection | Schutz | |
| 16 | 12727812/0 | 2 | Screw | Vite | Vis | Schraube | |
| 17 | 112523000/1 | 2 | Washer | Rosetta | Rondelle | Scheibe | |
| 18 | 381006897/0 | 1 | Handle Black, L | Manico Nero, Sx | Mancheron Noire, G | Holm Schwarz, Linke | |
| 18 | 381006823/0 | 1 | Handle Grey, L | Manico Grigio, Sx | Mancheron Gris, G | Holm Grau, Linke | |
| 19 | 322488301/0 | 1 | Support | Supporto | Support | Halter | |
| 20 | 322488303/0 | 1 | Support | Supporto | Support | Halter | |
| 21 | 112154220/0 | 2 | Nut | Dado | Ecrou | Mutter | |
| 22 | 322399835/0 | 2 | Knob | Manopolina | Poignée | Griff | |
| 23 | 381003253/0 | 2 | Handle | Maniglia | Poignée | Griff | |
| 24 | 322680017/0 | 2 | Support | Supporto | Support | Halter | |
| 25 | 381030064/0 | 1 | Cable, Mechanical Clutch | Cavo Comando Frizione Meccanica | Câble, Commande Embrayage Mecanique | Kabel, Mechanische Kupplung | |
| 26 | 322000020/0 | 1 | Support | Supporto | Support | Halter | |
| 27 | 12727786/0 | 2 | Screw | Vite | Vis | Schraube | |



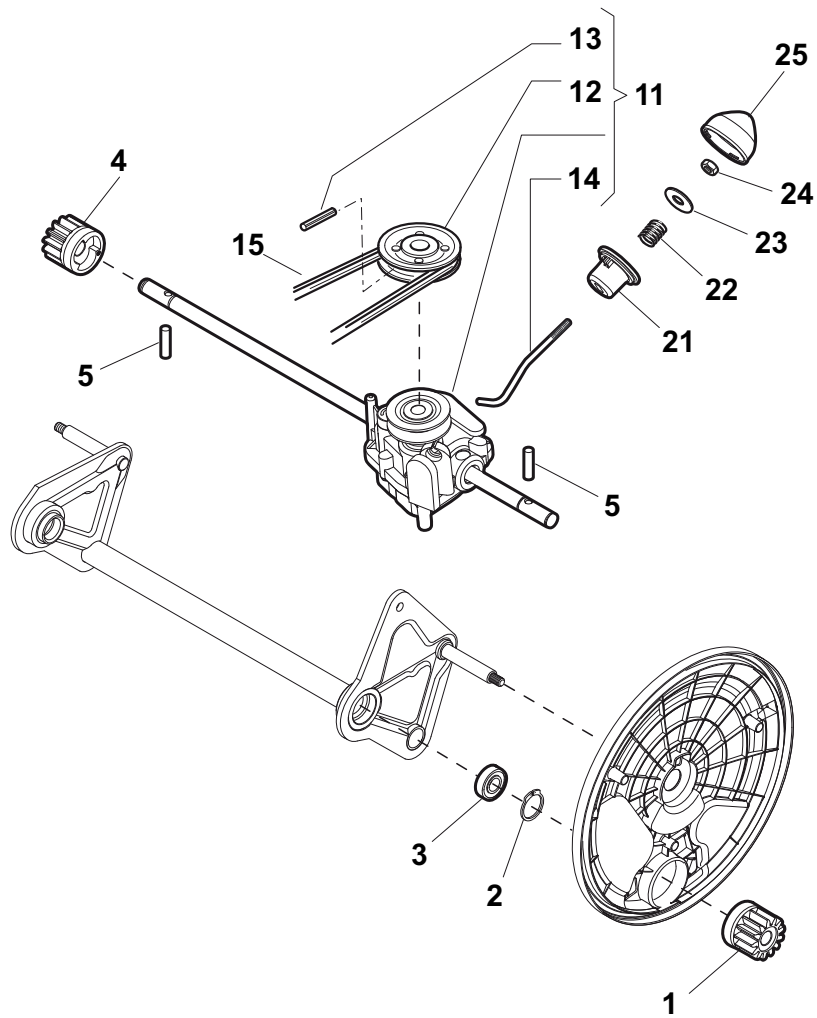
| POS | PART. NO | Q.ty | DESCRIPTION | DESCRIZIONE | DESCRIPTION | BESCHREIBUNG | REMARKS |
|-----|-------------|------|--------------------------|-------------------------|--------------------------|----------------------|---------|
| 1 | 381006670/2 | 1 | Handgrip | Impugnatura Manico | Poignée | Handgriff | |
| 2 | 381003349/0 | 1 | Lever, Driving | Leva Trazione | Levier Traction | Hebel, Antrieb | |
| 3 | 381003344/0 | 1 | Lever, Engine Brake | Leva Freno Motore | Levier Frein Moteur | Hebel, Motorbremse | |
| 4 | 22430309/0 | 1 | Guide Spring | Molla Guida | Ressort De Guide | Feder Führer | |
| 5 | 12154330/0 | 1 | Nut | Dado | Ecrou | Mutter | |
| 6 | 381006895/0 | 1 | Handle Black, R | Manico Nero, Parte Dx | Mancheron Noire, D | Holm Schwarz, Rechte | |
| 6 | 381006821/0 | 1 | Handle Grey, R | Manico Grigio, Parte Dx | Mancheron Gris, D | Holm Grau, Rechte | |
| 7 | 112735662/1 | 4 | Screw | Vite | Vis | Schraube | |
| 8 | 322041967/1 | 4 | Bush | Bussola | Douille | Buchse | |
| 9 | 12154510/0 | 3 | Nut | Dado | Ecrou | Mutter | |
| 10 | 112728721/0 | 2 | Screw | Vite | Vis | Schraube | |
| 11 | 12727784/0 | 1 | Screw | Vite | Vis | Schraube | |
| 12 | 181030066/0 | 1 | Cable, Thread Eng. Brake | Cavo Freno Motore | Cable Frein Moteur | Kabel, Motorbremse | |
| 13 | 381030068/0 | 1 | Cable, Rear Drive | Cavo Comando Trazione | Câble, Commande Traction | Kabel, Antrieb | |
| 14 | 322551639/0 | 1 | Plate | Piastrina | Plaquette | Plättchen | |
| 15 | 322806644/0 | 1 | Protection | Protezione | Protection | Schutz | |
| 16 | 12727812/0 | 2 | Screw | Vite | Vis | Schraube | |
| 17 | 112523000/1 | 2 | Washer | Rosetta | Rondelle | Scheibe | |
| 18 | 381006897/0 | 1 | Handle Black, L | Manico Nero, Sx | Mancheron Noire, G | Holm Schwarz, Linke | |
| 18 | 381006823/0 | 1 | Handle Grey, L | Manico Grigio, Sx | Mancheron Gris, G | Holm Grau, Linke | |
| 19 | 322488301/0 | 1 | Support | Supporto | Support | Halter | |
| 20 | 322488303/0 | 1 | Support | Supporto | Support | Halter | |
| 21 | 112154220/0 | 2 | Nut | Dado | Ecrou | Mutter | |
| 22 | 322399835/0 | 2 | Knob | Manopolina | Poignée | Griff | |
| 23 | 381003253/0 | 2 | Handle | Maniglia | Poignee | Griff | |
| 24 | 322680017/0 | 2 | Support | Supporto | Support | Halter | |



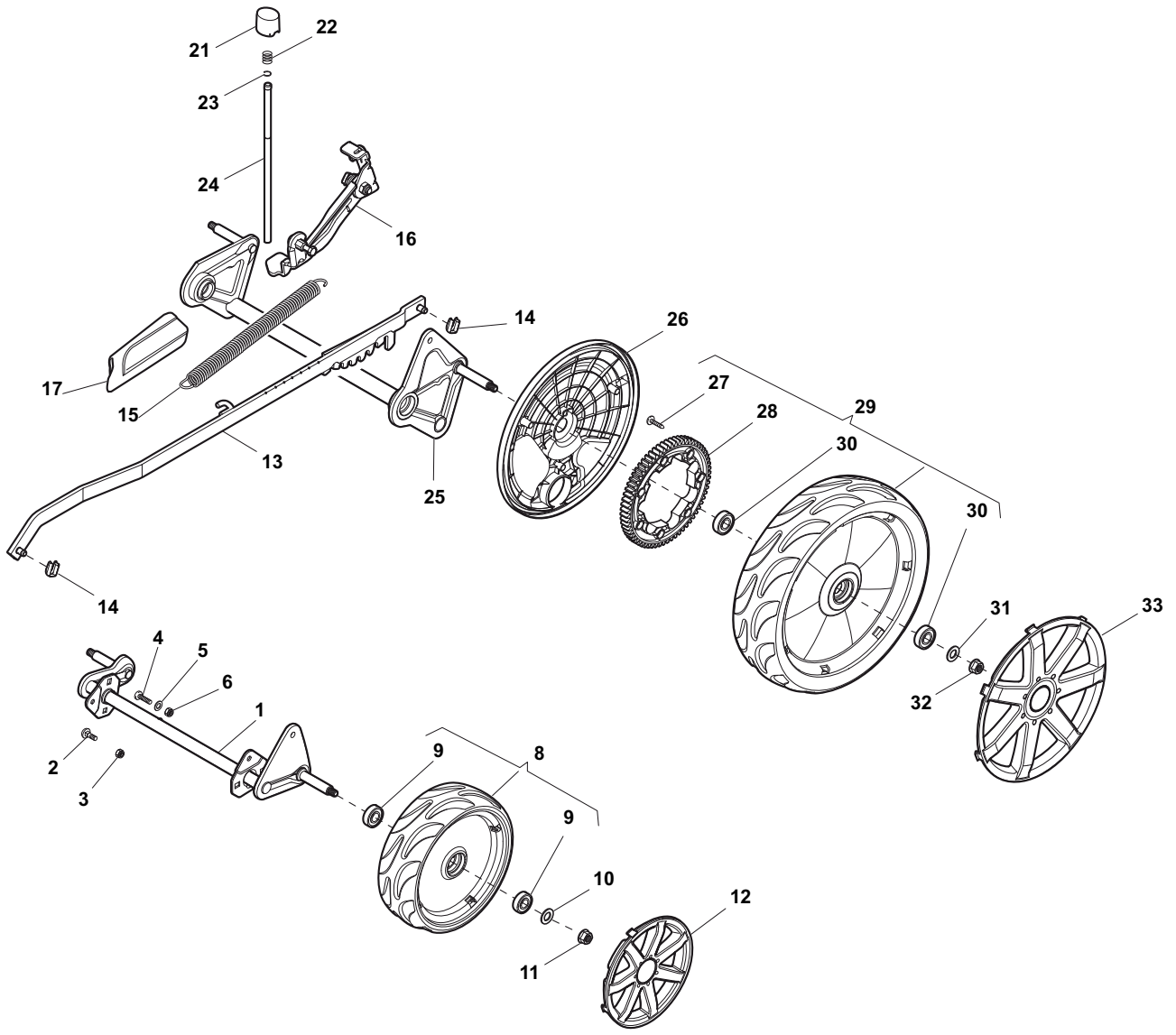
| POS | PART. NO | Q.ty | DESCRIPTION | DESCRIZIONE | DESCRIPTION | BESCHREIBUNG | REMARKS |
|-----|-------------|------|--------------------------|-------------------------|--------------------------|----------------------|---------|
| 1 | 381006670/2 | 1 | Handgrip | Impugnatura Manico | Poignée | Handgriff | |
| 2 | 381003349/0 | 1 | Lever, Driving | Leva Trazione | Levier Traction | Hebel, Antrieb | |
| 3 | 381003344/0 | 1 | Lever, Engine Brake | Leva Freno Motore | Levier Frein Moteur | Hebel, Motorbremse | |
| 4 | 22430309/0 | 1 | Guide Spring | Molla Guida | Ressort De Guide | Feder Führer | |
| 5 | 12154330/0 | 1 | Nut | Dado | Ecrou | Mutter | |
| 6 | 381006895/0 | 1 | Handle Black, R | Manico Nero, Parte Dx | Mancheron Noire, D | Holm Schwarz, Rechte | |
| 6 | 381006821/0 | 1 | Handle Grey, R | Manico Grigio, Parte Dx | Mancheron Gris, D | Holm Grau, Rechte | |
| 7 | 112735662/1 | 4 | Screw | Vite | Vis | Schraube | |
| 8 | 322041967/1 | 4 | Bush | Bussola | Douille | Buchse | |
| 9 | 12154510/0 | 3 | Nut | Dado | Ecrou | Mutter | |
| 10 | 112728721/0 | 2 | Screw | Vite | Vis | Schraube | |
| 11 | 12727786/0 | 1 | Screw | Vite | Vis | Schraube | |
| 12 | 181030065/0 | 1 | Cable, Thread Eng. Brake | Cavo Freno Motore | Cable Frein Moteur | Kabel, Motorbremse | |
| 13 | 381030067/0 | 1 | Cable, Rear Drive | Cavo Comando Trazione | Câble, Commande Traction | Kabel, Antrieb | |
| 14 | 181005507/0 | 1 | Throttle Cable | Cavo Acceleratore | Cable, Accelérateur | Gashebel Kabel | GGP |
| 14 | 181005508/0 | 1 | Throttle Cable | Cavo Acceleratore | Cable, Accelérateur | Gashebel Kabel | B&S |
| 15 | 322806644/0 | 1 | Protection | Protezione | Protection | Schutz | |
| 16 | 12727812/0 | 2 | Screw | Vite | Vis | Schraube | |
| 17 | 112523000/1 | 2 | Washer | Rosetta | Rondelle | Scheibe | |
| 18 | 381006897/0 | 1 | Handle Black, L | Manico Nero, Sx | Mancheron Noire, G | Holm Schwarz, Linke | |
| 18 | 381006823/0 | 1 | Handle Grey, L | Manico Grigio, Sx | Mancheron Gris, G | Holm Grau, Linke | |
| 19 | 322488301/0 | 1 | Support | Supporto | Support | Halter | |
| 20 | 322488303/0 | 1 | Support | Supporto | Support | Halter | |
| 21 | 112154220/0 | 2 | Nut | Dado | Ecrou | Mutter | |
| 22 | 322399835/0 | 2 | Knob | Manopolina | Poignée | Griff | |
| 23 | 381003253/0 | 2 | Handle | Maniglia | Poignée | Griff | |
| 24 | 322680017/0 | 2 | Support | Supporto | Support | Halter | |



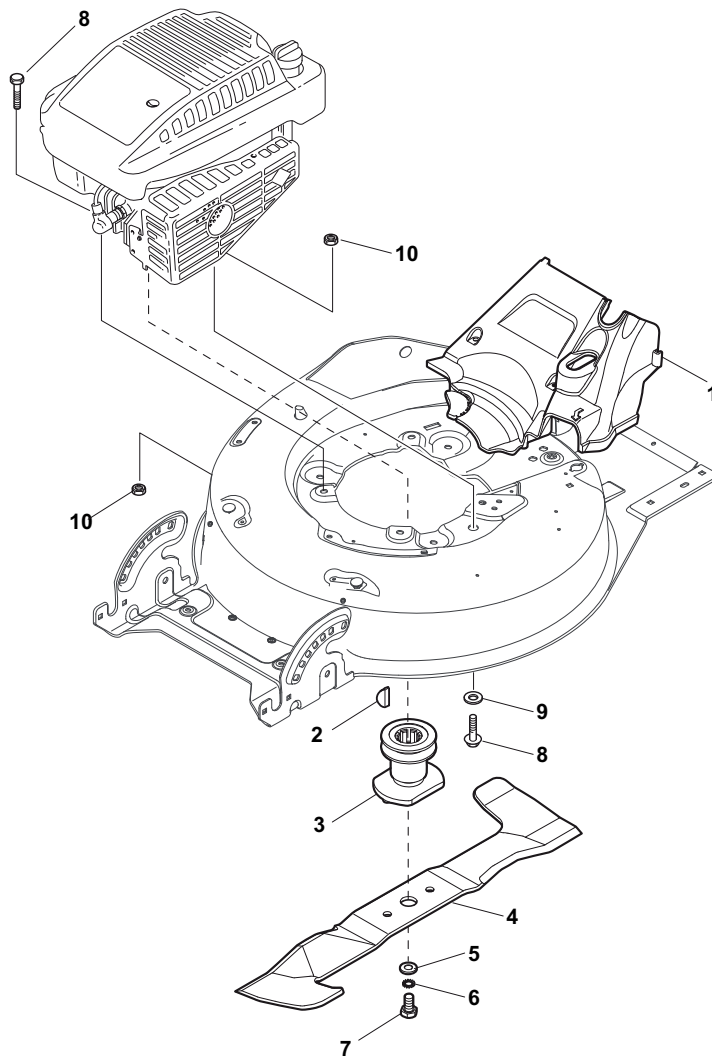
| POS | PART. NO | Q.ty | DESCRIPTION | DESCRIZIONE | DESCRIPTION | BESCHREIBUNG | REMARKS |
|-----|-------------|------|----------------|-------------------|-------------------|---------------|---------|
| 1 | 112727803/0 | 2 | Screw | Vite | Vis | Schraube | |
| 2 | 322806635/1 | 1 | Fulcrum Pin | Fulcro | Point D'Appui | Gelenkpunkt | |
| 3 | 322783010/1 | 1 | Button | Pulsante | Poussoir | Druckknopf | |
| 4 | 122450456/0 | 1 | Spring | Molla | Ressort | Feder | |
| 5 | 122517864/0 | 1 | Pin | Perno | Pivot | Bolzen | |
| 6 | 122450457/0 | 1 | Spring | Molla | Ressort | Feder | |
| 7 | 122517866/0 | 1 | Pin | Perno | Pivot | Bolzen | |
| 9 | 112728706/0 | 2 | Screw | Vite | Vis | Schraube | |
| 10 | 322600200/0 | 1 | Ejection Guard | Protezione Uscita | Protection Sortie | Auswurfschutz | |
| 11 | 322393633/0 | 1 | Handle | Maniglia | Poignee | Griff | |
| 15 | 322108289/0 | 1 | Ejection Guard | Protezione Uscita | Protection Sortie | Auswurfschutz | |



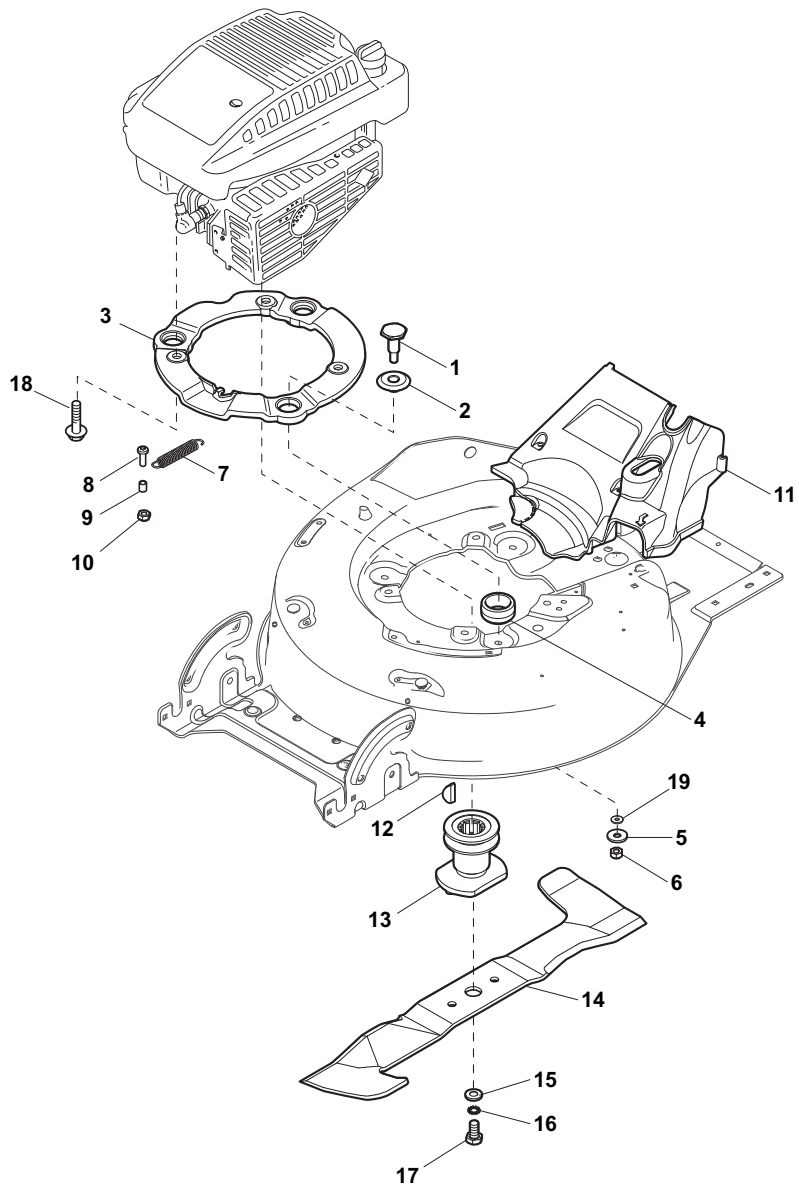
| POS | PART. NO | Q.ty | DESCRIPTION | DESCRIZIONE | DESCRIPTION | BESCHREIBUNG | REMARKS |
|-----|-------------|------|----------------|------------------|-----------------|-------------------|---------|
| 1 | 122570132/0 | 1 | Pinion L | Pignone Sx | Pignon G | Ritzel Linkes | |
| 2 | 12608600/0 | 4 | Seeger | Seeger | Seeger | Seeger | |
| 3 | 19216035/0 | 2 | Bearing | Cuscinetto | Coussinet | Lager | |
| 4 | 122570131/0 | 1 | Pinion R | Pignone Dx | Pignon D | Ritzel Rechtes | |
| 5 | 22753000/0 | 2 | Pin | Spina | Goupille | Stift | |
| 11 | 181003106/0 | 1 | Gear Box | Gruppo Trazione | Groupe Traction | Antrieb | |
| 12 | 122601908/1 | 1 | Pulley | Puleggia | Poulie | Riemenscheibe | |
| 13 | 12645705/0 | 1 | Pin | Spina | Goupille | Stift | |
| 14 | 122033290/0 | 1 | Adjustment Rod | Asta Regolazione | Tige Reglage | Verstellungstange | |
| 15 | 135064392/0 | 1 | Belt | Cinghia | Courroie | Riemen | |
| 21 | 22041957/1 | 1 | Bush | Bussola | Douille | Buchse | |
| 22 | 22450063/0 | 1 | Spring | Molla | Ressort | Feder | |
| 23 | 22680009/0 | 1 | Washer | Rosetta | Rondelle | Scheibe | |
| 24 | 12154510/0 | 1 | Nut | Dado | Ecrou | Mutter | |
| 25 | 322109550/0 | 1 | Cap | Tappo | Bouchon | Gummistopfen | |



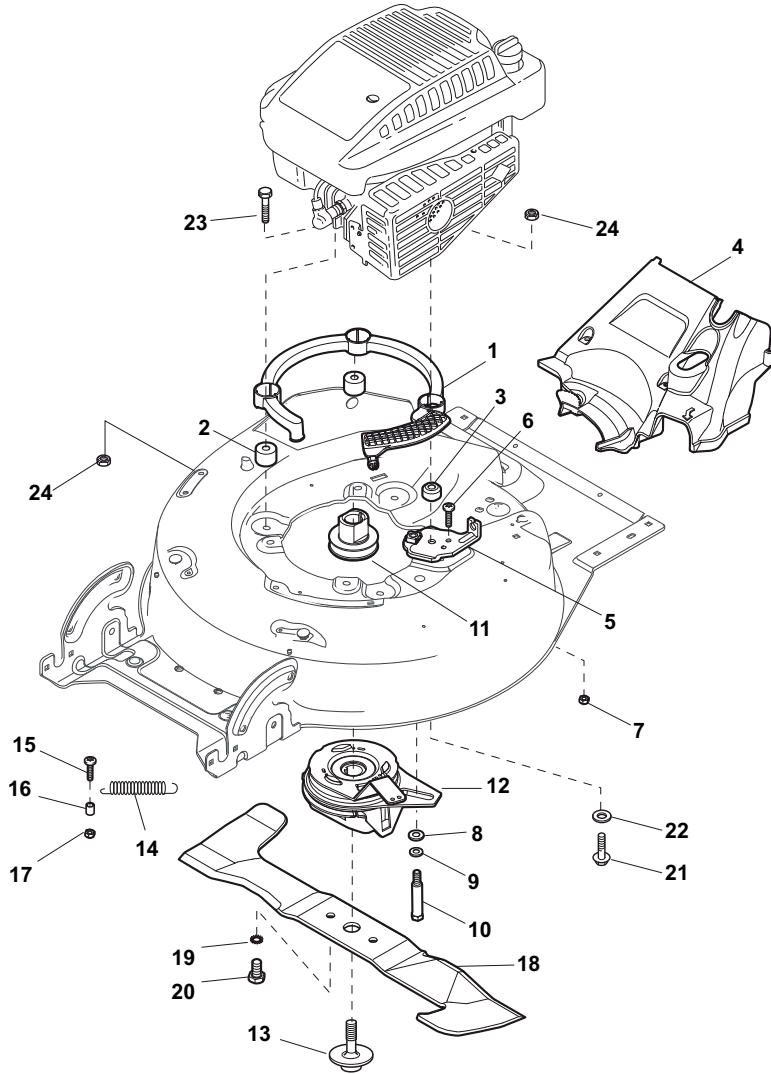
| POS | PART. NO | Q.ty | DESCRIPTION | DESCRIZIONE | DESCRIPTION | BESCHREIBUNG | REMARKS |
|-----|-------------|------|--------------------------|-----------------------------|-------------------------------|-------------------------|---------|
| 1 | 381302801/0 | 1 | Axle, Front Wheels | Asse Ruote Anteriori | Axe Roues Avant | Achse, Vorderrad | |
| 2 | 12815205/0 | 4 | Screw | Vite | Vis | Schraube | |
| 3 | 12154510/0 | 4 | Nut | Dado | Ecrou | Mutter | |
| 4 | 112727799/0 | 2 | Screw | Vite | Vis | Schraube | |
| 5 | 12523040/0 | 2 | Washer | Rosetta | Rondelle | Scheibe | |
| 6 | 12154510/0 | 2 | Nut | Dado | Ecrou | Mutter | |
| 8 | 381007394/1 | 2 | Wheel Ø 210 | Ruota Ø 210 | Roue Ø 210 | Rad Ø 210 | |
| 9 | 19216035/0 | 4 | Bearing | Cuscinetto | Coussinet | Lager | |
| 10 | 12521350/0 | 2 | Washer | Rosetta | Rondelle | Scheibe | |
| 11 | 12155000/0 | 2 | Nut | Dado | Ecrou | Mutter | |
| 12 | 322110597/0 | 2 | Hub Cap | Coprizzo | Couvre-Moyeu | Radkappe | |
| 13 | 381002035/0 | 1 | Rod, Height Adjustment | Asta Comando Regol. Altezza | Tige Commande Reglage Hauteur | Stange, Höheverstellung | |
| 14 | 112436051/0 | 2 | Plate | Piastrina | Plaquette | Plättchen | |
| 15 | 122450459/1 | 1 | Spring | Molla | Ressort | Feder | |
| 16 | 381003337/1 | 1 | Lever, Height Adjustment | Leva Regolazione Altezza | Levier, Reglage Hauteur | Hebel, Höheverstellung | |
| 17 | 322570202/0 | 1 | Cover | Copertura | Couvre | Kappe | |
| 21 | 322602012/1 | 1 | Button | Pulsante | Poussoir | Druckknopf | |
| 22 | 122450462/0 | 1 | Spring | Molla | Ressort | Feder | |
| 23 | 12000930/0 | 1 | Snap Ring | Anello Elastico | Anneau Ressort | Sprengring | |
| 24 | 122033351/1 | 1 | Rod | Astina | Tige | Stange | |
| 25 | 381002899/0 | 1 | Axle, Rear Wheels | Asse Ruote Posteriori | Axe Roues Arriere | Achse, Hinterrad | |
| 26 | 322600179/0 | 2 | Protection, Wheel | Prot. Ruote | Protection Roue | Schütz | |
| 27 | 12728691/0 | 6 | Screw | Vite | Vis | Schraube | |
| 28 | 322120113/0 | 2 | Ring Gear | Corona Trascinamento | Couronne | Kranz | |
| 29 | 381007398/1 | 2 | Wheel Ø 300 | Ruota Ø 300 | Roue Ø 300 | Rad Ø 300 | |
| 30 | 19216035/0 | 4 | Bearing | Cuscinetto | Coussinet | Lager | |
| 31 | 12521350/0 | 2 | Washer | Rosetta | Rondelle | Scheibe | |
| 32 | 12155000/0 | 2 | Nut | Dado | Ecrou | Mutter | |
| 33 | 322110599/0 | 2 | Hub Cap | Coprizzo | Couvre-Moyeu | Radkappe | |



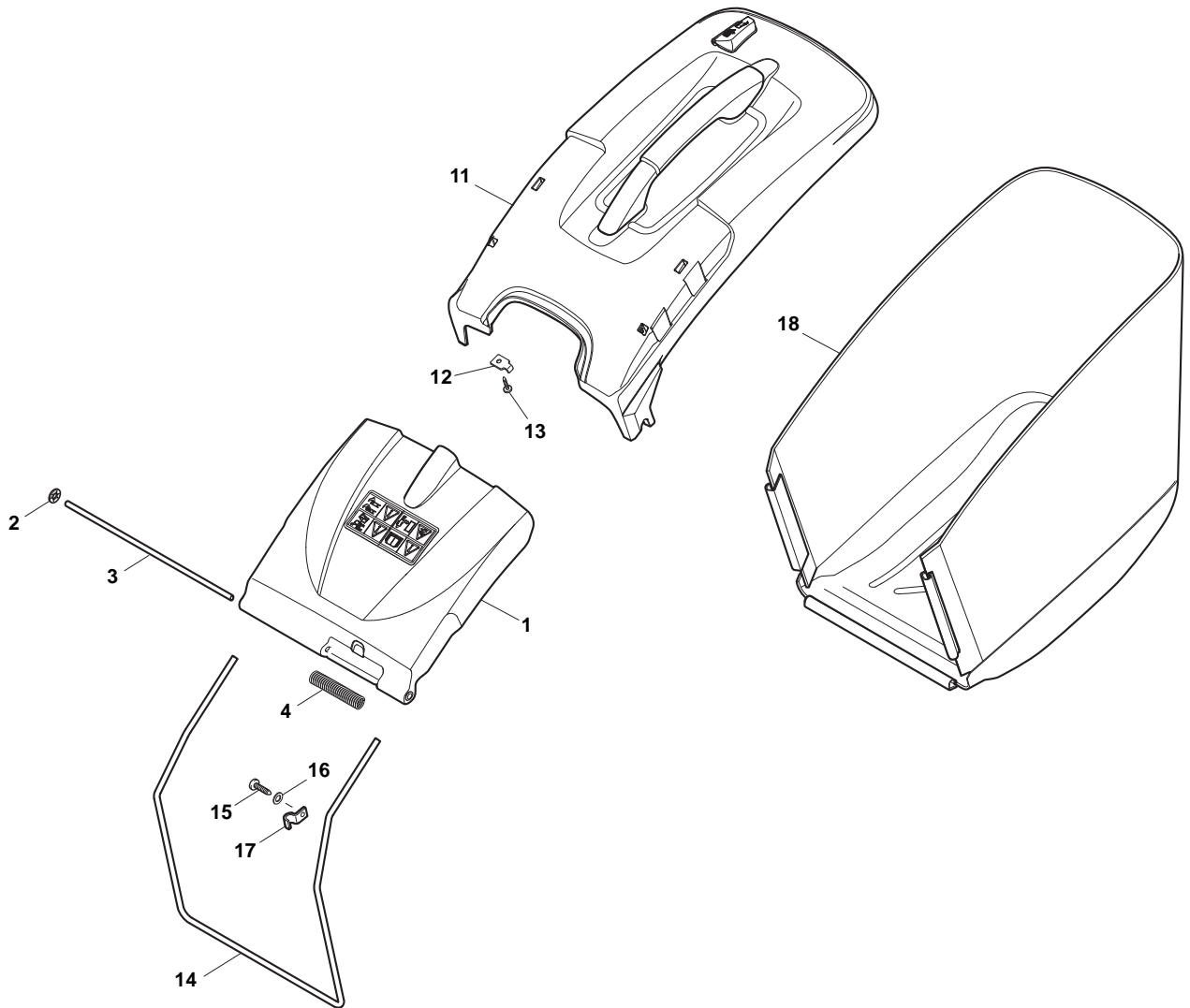
| POS | PART. NO | Q.ty | DESCRIPTION | DESCRIZIONE | DESCRIPTION | BESCHREIBUNG | REMARKS |
|-----|-------------|------|----------------------------------|--|--------------------------------------|-----------------------------------|-------------|
| 1 | 322060234/0 | 1 | Protection | Carter | Protection | Schutz | |
| 2 | 12139100/0 | 1 | Feather, Crankshaft Ø 22.2 | Linguetta, Albero Motore Ø 22.2 | Clavette, Arbre Moteur Ø 22.2 | Keil, Motorwelle Ø 22.2 | GGP - B&S |
| 2 | 12139150/0 | 1 | Feather, Crankshaft Ø 25 | Linguetta, Albero Motore Ø 25 | Clavette, Arbre Moteur Ø 25 | Keil, Motorwelle Ø 25 | Honda |
| 3 | 122465607/3 | 1 | Hub With Pulley, Crankshaft Ø 22 | Mozzo Con Puleggia, Albero Motore Ø 22 | Moyeu Avec Poulie, Arbre Moteur Ø 22 | Nabe Mit Scheibe, Motorwelle Ø 22 | GGP - B&S |
| 3 | 122465608/2 | 1 | Hub With Pulley, Crankshaft Ø 25 | Mozzo Con Puleggia, Albero Motore Ø 25 | Moyeu Avec Poulie, Arbre Moteur Ø 25 | Nabe Mit Scheibe, Motorwelle Ø 25 | Honda |
| 4 | 181004453/0 | 1 | Blade Standard | Coltello Standard | Lame Standard | Messer Standard | |
| 5 | 22160400/0 | 1 | Elastic Washer | Disco Elastico | Rondelle Elastique | Elastischescheibe | |
| 6 | 12523080/0 | 1 | Washer | Rosetta | Rondelle | Scheibe | |
| 7 | 12735698/0 | 1 | Screw | Vite | Vis | Schraube | |
| 8 | 12691100/0 | 1 | Screw | Vite | Vis | Schraube | B&S 675 |
| 8 | 12691100/0 | 2 | Screw | Vite | Vis | Schraube | B&S 675 |
| 8 | 12691800/0 | 3 | Screw | Vite | Vis | Schraube | B&S 625-750 |
| 8 | 12691100/0 | 3 | Screw | Vite | Vis | Schraube | GGP |
| 8 | 12691800/0 | 3 | Screw | Vite | Vis | Schraube | Honda |
| 9 | 12521350/0 | 1 | Washer | Rosetta | Rondelle | Scheibe | |
| 10 | 12154210/0 | 3 | Nut | Dado | Ecrou | Mutter | |



| POS | PART. NO | Q.ty | DESCRIPTION | DESCRIZIONE | DESCRIPTION | BESCHREIBUNG | REMARKS |
|-----|-------------|------|----------------------------------|--|--------------------------------------|-----------------------------------|-----------|
| 1 | 122519816/0 | 3 | Pin | Perno | Pivot | Bolzen | |
| 2 | 22672201/0 | 3 | Washer | Rondella | Rondelle | Scheibe | |
| 3 | 322207226/0 | 1 | Flange | Flangia | Bride | Flansch | |
| 4 | 322250014/0 | 3 | Grommet | Gommino | Caoutchouc | Gummi | |
| 5 | 122170850/0 | 3 | Spacer | Distanziale | Entretoise | Distanzring | |
| 6 | 12155000/0 | 3 | Nut | Dado | Ecrou | Mutter | |
| 7 | 122450461/0 | 1 | Spring | Molla | Ressort | Feder | |
| 8 | 112727801/0 | 1 | Screw | Vite | Vis | Schraube | |
| 9 | 122170846/0 | 1 | Spacer | Distanziale | Entretoise | Distanzring | |
| 10 | 12154510/0 | 1 | Nut | Dado | Ecrou | Mutter | |
| 11 | 322060234/0 | 1 | Protection | Carter | Protection | Schutz | |
| 12 | 12139100/0 | 1 | Feather, Crankshaft Ø 22.2 | Linguetta, Albero Motore Ø 22.2 | Clavette, Arbre Moteur Ø 22.2 | Keil, Motorwelle Ø 22.2 | GGP - B&S |
| 12 | 12139150/0 | 1 | Feather, Crankshaft Ø 25 | Linguetta, Albero Motore Ø 25 | Clavette, Arbre Moteur Ø 25 | Keil, Motorwelle Ø 25 | Honda |
| 13 | 122465638/1 | 1 | Hub With Pulley, Crankshaft Ø 22 | Mozzo Con Puleggia, Albero Motore Ø 22 | Moyeu Avec Poulie, Arbre Moteur Ø 22 | Nabe Mit Scheibe, Motorwelle Ø 22 | GGP - B&S |
| 13 | 122465639/1 | 1 | Hub With Pulley, Crankshaft Ø 25 | Mozzo Con Puleggia, Albero Motore Ø 25 | Moyeu Avec Poulie, Arbre Moteur Ø 25 | Nabe Mit Scheibe, Motorwelle Ø 25 | Honda |
| 14 | 181004454/0 | 1 | Blade | Coltello | Lame | Messer | |
| 15 | 22160400/0 | 1 | Elastic Washer | Disco Elastico | Rondelle Elastique | Elastischescheibe | |
| 16 | 12523080/0 | 1 | Washer | Rosetta | Rondelle | Scheibe | |
| 17 | 12736815/0 | 1 | Screw | Vite | Vis | Schraube | |
| 18 | 112735108/1 | 3 | Screw | Vite | Vis | Schraube | |



| POS | PART. NO | Q.ty | DESCRIPTION | DESCRIZIONE | DESCRIPTION | BESCHREIBUNG | REMARKS |
|-----|-------------|------|---------------------------|--------------------------------|-----------------------------|----------------------------|-----------|
| 1 | 322170962/0 | 1 | Protection | Protezione | Protection | Schutz | |
| 2 | 22170835/0 | 2 | Spacer | Distanziale | Entretoise | Distanzring | |
| 3 | 122170836/1 | 1 | Spacer | Distanziale | Entretoise | Distanzring | |
| 4 | 322060235/0 | 1 | Protection | Carter | Protection | Schutz | |
| 5 | 381545329/0 | 1 | Support | Supporto | Support | Halter | |
| 6 | 112727802/0 | 1 | Screw | Vite | Vis | Schraube | |
| 7 | 12154510/0 | 1 | Nut | Dado | Ecrou | Mutter | |
| 8 | 22671653/0 | 1 | Washer | Rosetta | Rondelle | Scheibe | |
| 9 | 12540060/0 | 1 | Washer | Rondella | Rondelle | Scheibe | |
| 10 | 122534127/0 | 1 | Pin | Piolo | Bondon | Dübel | |
| 11 | 122601922/0 | 1 | Pulley, Crankshaft Ø 22.2 | Puleggia, Albero Motore Ø 22.2 | Poulie, Arbre Moteur Ø 22.2 | Scheibe, Motorwelle Ø 22.2 | GGP - B&S |
| 11 | 122601923/0 | 1 | Pulley, Crankshaft Ø 25 | Puleggia, Albero Motore Ø 25 | Poulie, Arbre Moteur Ø 25 | Scheibe, Motorwelle Ø 25 | Honda |
| 12 | 118399051/0 | 1 | Mechanical Clutch | Ass. Frizione Meccanica | Embrayage Mecanique | Mechanische Kupplung | |
| 13 | 12735460/0 | 1 | Screw | Vite | Vis | Schraube | |
| 14 | 122446188/0 | 1 | Spring | Molla | Ressort | Feder | |
| 15 | 112727801/0 | 1 | Screw | Vite | Vis | Schraube | |
| 16 | 122170846/0 | 1 | Spacer | Distanziale | Entretoise | Distanzring | |
| 17 | 12154510/0 | 1 | Nut | Dado | Ecrou | Mutter | |
| 18 | 181004455/0 | 1 | Blade | Coltello | Lame | Messer | |
| 19 | 12540060/0 | 2 | Washer | Rondella | Rondelle | Scheibe | |
| 20 | 12794110/0 | 2 | Screw | Vite | Vis | Schraube | |
| 21 | 12692050/0 | 1 | Screw | Vite | Vis | Schraube | |
| 22 | 12521350/0 | 1 | Washer | Rosetta | Rondelle | Scheibe | |
| 23 | 12691700/0 | 2 | Screw | Vite | Vis | Schraube | |
| 24 | 12154210/0 | 3 | Nut | Dado | Ecrou | Mutter | |



| POS | PART. NO | Q.ty | DESCRIPTION | DESCRIZIONE | DESCRIPTION | BESCHREIBUNG | REMARKS |
|-----|-------------|------|------------------|--------------------|---------------------|--------------------|--------------|
| 1 | 322600180/3 | 1 | Stone-Guard | Parasassi | Pare-Pierres | Prallblech | |
| 2 | 12604899/0 | 2 | Crown Fastener | Fissatore A Corona | Fixateur A Couronne | Kronescheibe | |
| 3 | 122517863/0 | 1 | Pin | Perno | Pivot | Bolzen | |
| 4 | 122450455/1 | 1 | Spring | Molla | Ressort | Feder | |
| 11 | 381486007/0 | 1 | Grass-Box, Upper | Sacco, Parte Sup | Sac, Partie | Korb, Oberteil | |
| 12 | 322545159/0 | 2 | Plate | Piastrina | Plaquette | Plättchen | |
| 13 | 12728689/0 | 2 | Screw | Vite | Vis | Schraube | |
| 14 | 122608542/0 | 1 | Stiffening Lower | Rinforzo Inf | Réinforcement Inf | Verstärkung Untere | |
| 15 | 12728689/0 | 2 | Screw | Vite | Vis | Schraube | |
| 16 | 12521320/0 | 2 | Washer | Rosetta | Rondelle | Scheibe | |
| 17 | 325774220/0 | 2 | Plate | Piastrina | Plaquette | Plättchen | |
| 18 | 181002298/1 | 1 | Box, Fabric | Sacco, Tela | Sac, Toile | Sack, Tuck | STD |
| 18 | 181002303/2 | 1 | Box, Fabric | Sacco, Tela | Sac, Toile | Sack, Tuck | Castelgarden |
| 18 | 181002302/2 | 1 | Box, Fabric | Sacco, Tela | Sac, Toile | Sack, Tuck | Stiga |