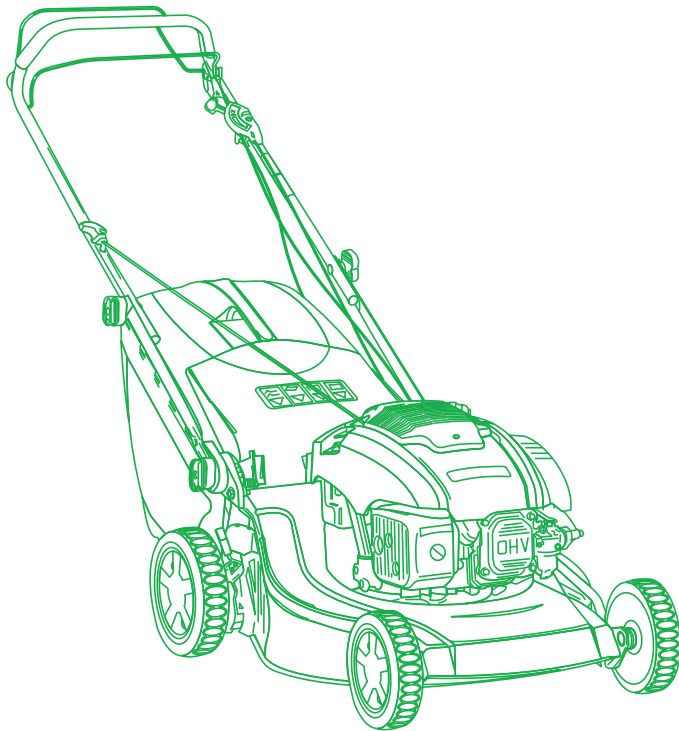


ILLUSTRATED PARTS LIST

NP 534 WTR 3S NP 534 WTR-E 3S

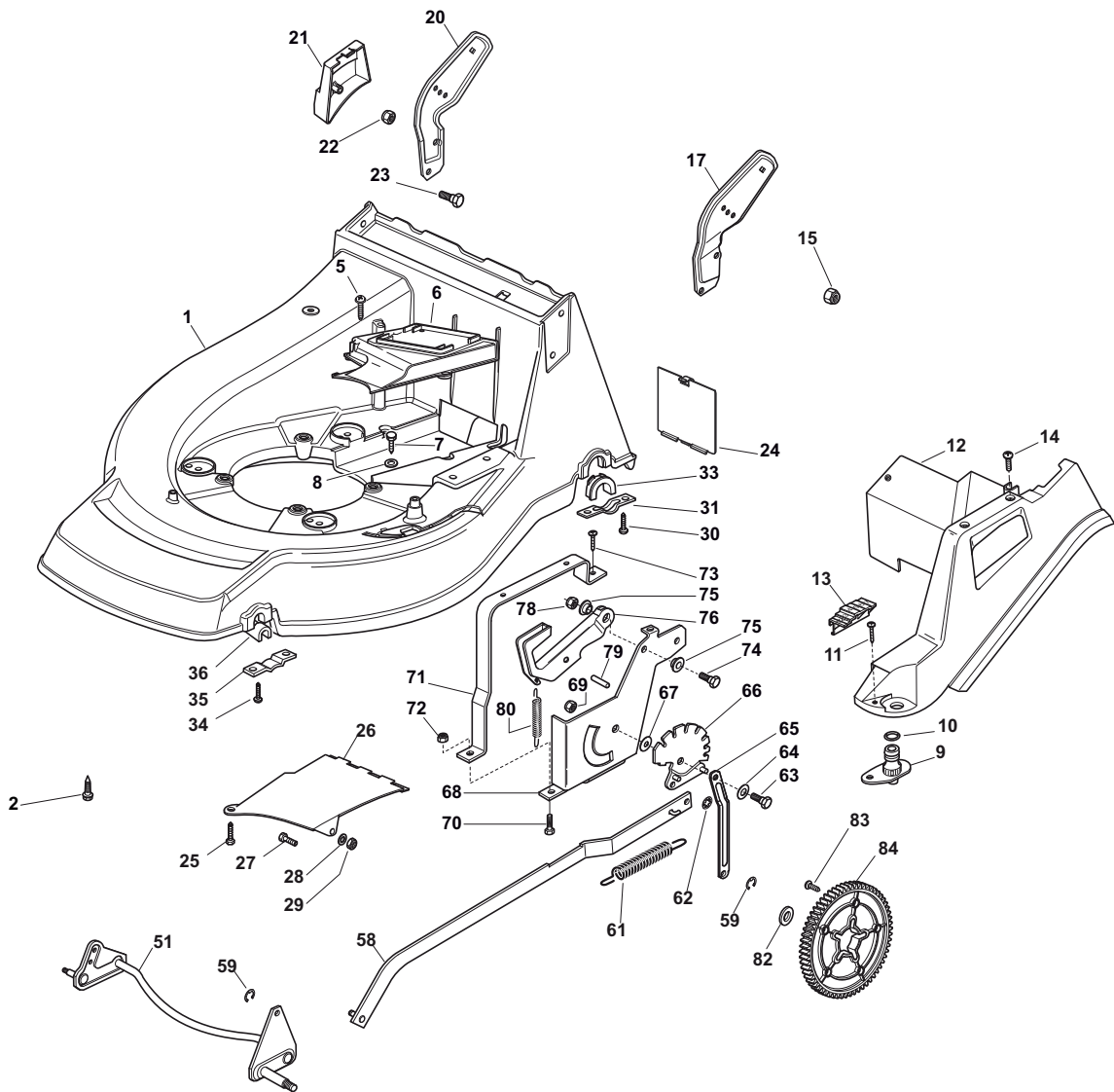


- Use GLOBAL GARDEN PRODUCT Genuine Spare Parts specified in the parts list for repair and/or replacement.
- The contents described in the parts list may change due to improvement.
- The drawings of the spare parts are only indicative and might not represent the part in question exactly.
- The indications "right" - "left" - "front" - "rear" refer to the position of the operator when using the machine.
- When placing orders of parts for repair and/or replacement, make sure that the illustrated parts list is the one applying to the machine's year of manufacture, as shown on the identification plate attached to the machine.

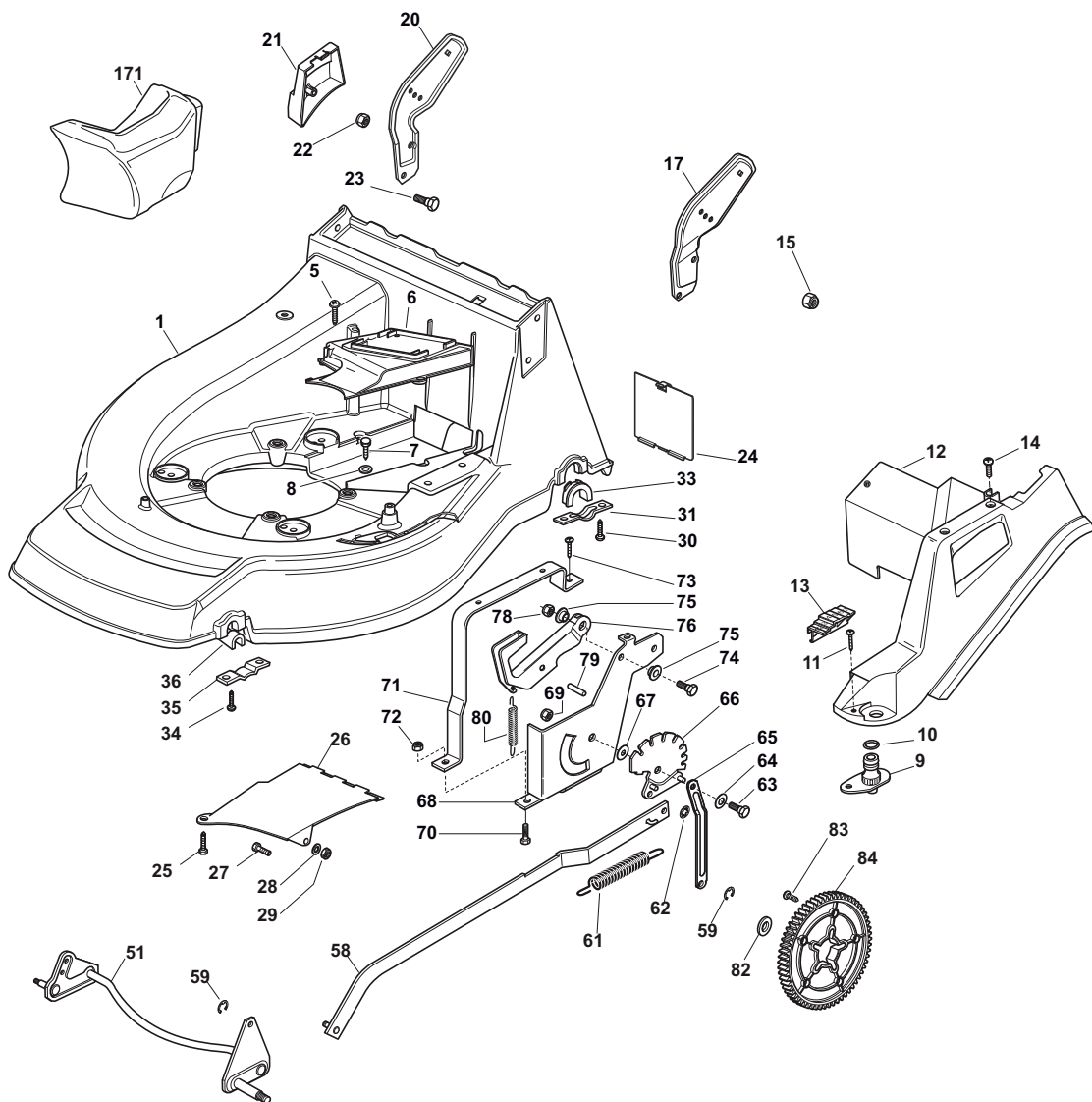
© Copyright 2012 Global Garden Products

All content is subject to copyright by Global Garden Products and may not be reproduced in whole or in part by any means, electronic or otherwise, without prior written approval.

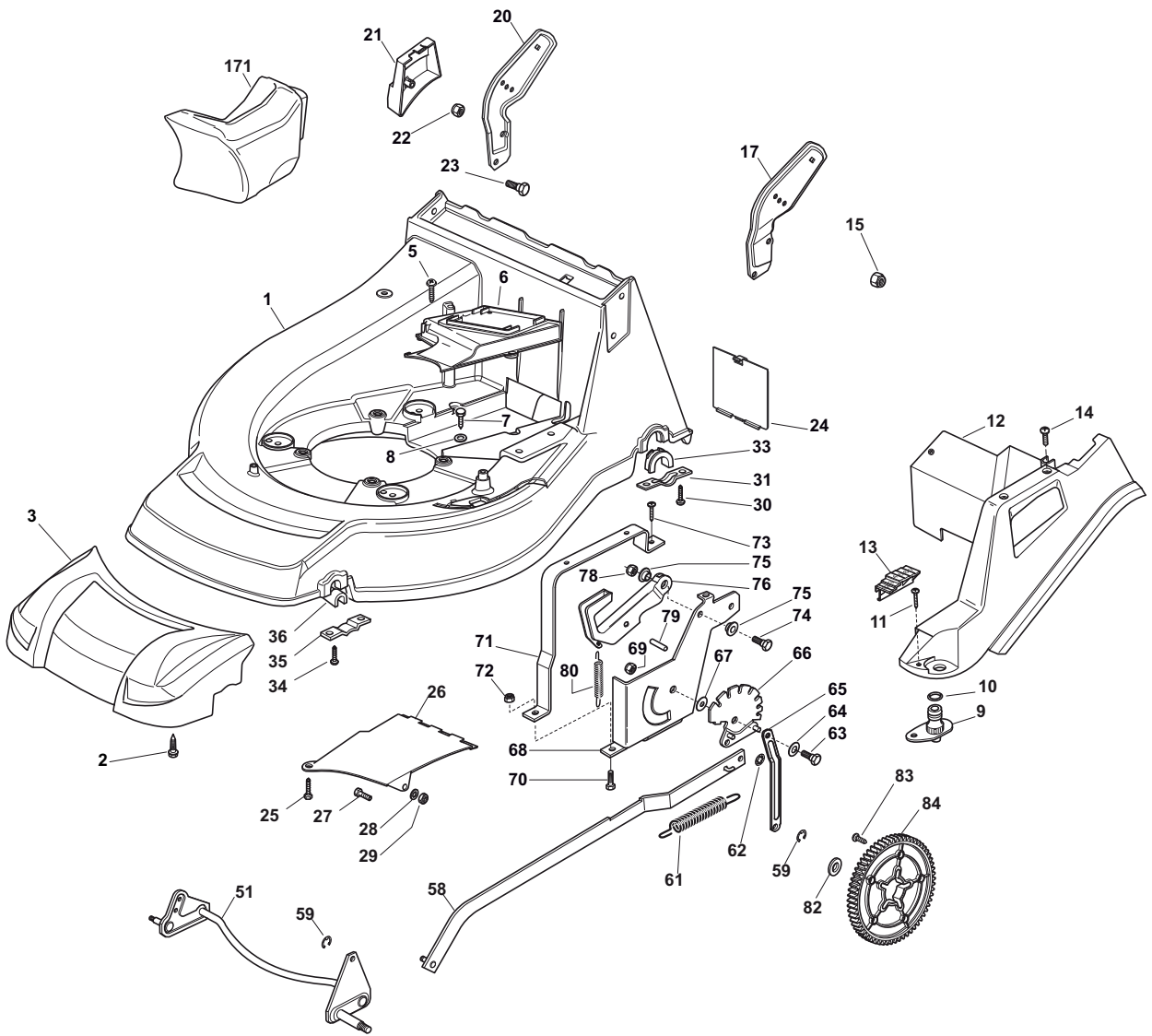
THIS INFORMATION IS NOT INTENDED FOR SALE OR RESALE, AND THIS NOTICE MUST REMAIN ON ALL COPIES.



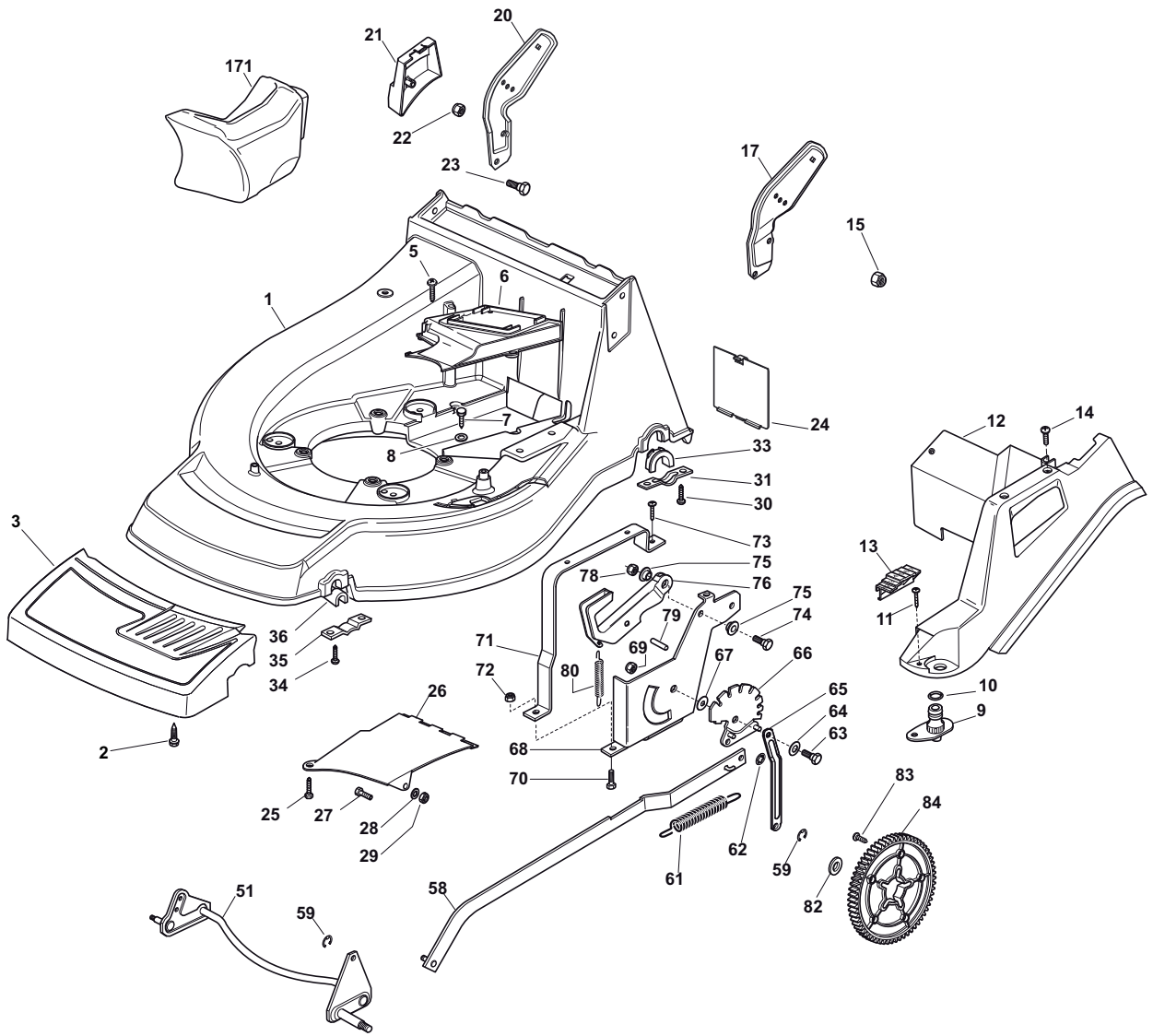
POS	PART. NO	Q.ty	DESCRIPTION	DESCRIZIONE	DESCRIPTION	BESCHREIBUNG	REMARKS
1	381003543/1	1	Deck Red	Chassis Rosso	Châssis Rouge	Gehäuse Rot	
5	12728522/0	2	Screw	Vite	Vis	Schraube	
6	22060200/1	1	Protection, Belt	Carter Cinghia	Protection	Schutz, Riemen	
7	12729600/0	1	Screw	Vite	Vis	Schraube	
8	12523040/0	2	Washer	Rosetta	Rondelle	Scheibe	
9	22034000/0	1	Washing Connection	Attacco Acqua Lavaggio	Attaque Lavage	Waschenverbindung	
10	19035000/0	1	Or Ring	Anello Or	Bague Or	Ring Or	
11	12728519/0	3	Screw	Vite	Vis	Schraube	
12	322060144/3	1	Deck, Adjustment	Carter Regolazione	Châssis Reglage	Gehäuse	
13	22570200/0	1	Plate, Cutting Positions	Placchetta Posizioni	Plaquette Reglage	Platte, Höheverstellung	
14	12728520/0	1	Screw	Vite	Vis	Schraube	
15	12155000/0	2	Nut	Dado	Ecrou	Mutter	
17	22778397/1	1	Bracket, L	Staffa Sx	Bride G	Pratze, Linke	
20	22778396/1	1	Bracket, R	Staffa Dx	Bride D	Pratze, Rechte	
21	22601001/0	1	Protection	Protezione	Protection	Schutz	
22	12155000/0	2	Nut	Dado	Ecrou	Mutter	
23	12793301/0	2	Screw	Vite	Vis	Schraube	
24	22595352/0	1	Inspection Door	Portina Chiusura	Voyant De Visite	Abdeckplatte	
25	12729600/0	1	Screw	Vite	Vis	Schraube	
26	22108205/0	1	Conveyor	Convogliatore	Convoyeur	Konveyor	
27	12789000/0	1	Screw	Vite	Vis	Schraube	
28	12523020/0	1	Washer	Rosetta	Rondelle	Scheibe	
29	12154330/0	1	Nut	Dado	Ecrou	Mutter	
30	12731350/0	4	Screw	Vite	Vis	Schraube	
31	322545177/0	2	Plate	Piastrina	Plaquette	Platte	
33	22038407/0	2	Brass	Bronzina	Douille	Buchse	
34	12731350/0	4	Screw	Vite	Vis	Schraube	
35	22545156/0	2	Plate	Piastrina	Plaquette	Platte	
36	22038400/1	2	Brass	Bronzina	Douille	Buchse	
51	381002865/1	1	Axle, Front Wheels	Asse Ruote Anteriori	Axe Roues Avant	Achse, Vorderrad	
58	381002023/0	1	Rod, Height Adjustment	Asta Comando Regol. Altezza	Tige Commande Reglage Hauteur	Stange, Höheverstellung	
59	12000930/0	2	Snap Ring	Anello Elastico	Anneau Ressort	Sprengring	
61	122446187/0	1	Spring	Molla	Ressort	Feder	
62	12604899/0	2	Crown Fastener	Fissatore A Corona	Fixateur A Couronne	Kronescheibe	
63	22529662/0	1	Fulcrum Pin	Perno Fulcro	Pivot	Bolzen	
64	22672151/0	1	Washer	Rosetta	Rondelle	Scheibe	
65	322033299/0	1	Rod, Rear Wheels Axle	Asta Asse Posteriore	Tige, Axe Roue Arrieres	Stange, Hinterradachse	
66	381000499/0	1	Sector, Height Adjustment	Settore Regolazione Altezza	Secteur Reglage Hauteur	Sektor, Höheverstellung	
67	22672152/0	1	Washer	Rosetta	Rondelle	Scheibe	
68	22785109/0	1	Support, Height Adjustment	Supporto Regolazione Altezza	Support Reglage	Halter, Höheverstellung	
69	12293201/0	1	Nut	Dado	Ecrou	Mutter	
70	12793301/0	2	Screw	Vite	Vis	Schraube	
71	22785113/0	1	Support, Handle	Supporto Maniglia	Support Poignée	Halter, Griff	
72	12293201/0	2	Nut	Dado	Ecrou	Mutter	
73	12729600/0	1	Screw	Vite	Vis	Schraube	
74	12793301/0	1	Screw	Vite	Vis	Schraube	
75	25038002/1	2	Bush	Bussola	Douille	Buchse	
76	322393611/2	1	Handle	Maniglia	Poignée	Griff	
78	12293201/0	1	Nut	Dado	Ecrou	Mutter	
79	12622640/0	1	Pin	Spina	Goupille	Stift	
80	22446175/0	1	Spring	Molla	Ressort	Feder	
82	22675100/0	2	Washer	Rosetta	Rondelle	Scheibe	
83	12728691/0	6	Screw	Vite	Vis	Schraube	
84	22120110/0	2	Sprocket	Ruota Dentata	Couronne	Zahnkettenrad	



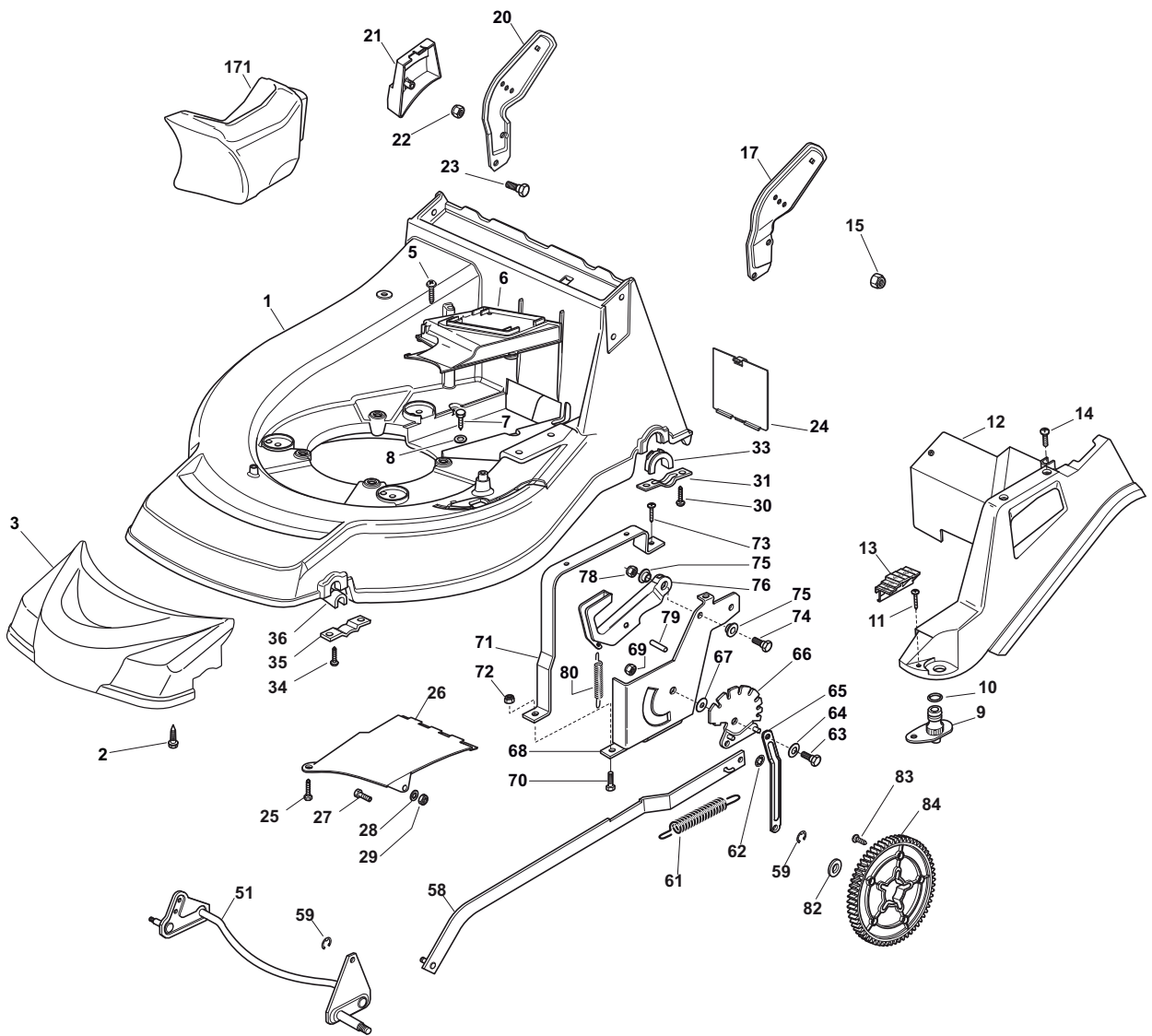
POS	PART. NO	Q.ty	DESCRIPTION	DESCRIZIONE	DESCRIPTION	BESCHREIBUNG	REMARKS
1	381003543/1	1	Deck Red	Chassis Rosso	Châssis Rouge	Gehäuse Rot	
5	12728522/0	2	Screw	Vite	Vis	Schraube	
6	22060200/1	1	Protection, Belt	Carter Cinghia	Protection	Schutz, Riemen	
7	12729600/0	1	Screw	Vite	Vis	Schraube	
8	12523040/0	2	Washer	Rosetta	Rondelle	Scheibe	
9	22034000/0	1	Washing Connection	Attacco Lavaggio	Attaque Lavage	Waschenverbindung	
10	19035000/0	1	Or Ring	Anello Or	Bague Or	Ring Or	
11	12728519/0	3	Screw	Vite	Vis	Schraube	
12	322060144/3	1	Deck, Adjustment	Carter Regolazione	Châssis Reglage	Gehäuse	
13	22570200/0	1	Plate, Cutting Positions	Placchetta Posizioni	Plaquette Reglage	Platte, Höheverstellung	
14	12728520/0	1	Screw	Vite	Vis	Schraube	
15	12155000/0	2	Nut	Dado	Ecrou	Mutter	
17	22778397/1	1	Bracket, L	Staffa Sx	Bride G	Pratze, Linke	
20	22778396/1	1	Bracket, R	Staffa Dx	Bride D	Pratze, Rechte	
21	22601001/0	1	Protection	Protezione	Protection	Schutz	
22	12155000/0	2	Nut	Dado	Ecrou	Mutter	
23	12793301/0	2	Screw	Vite	Vis	Schraube	
24	22595352/0	1	Inspection Door	Portina Chiusura	Voyant De Visite	Abdeckplatte	
25	12729600/0	1	Screw	Vite	Vis	Schraube	
26	22108205/0	1	Conveyor	Convogliatore	Convoyeur	Konveyor	
27	12789000/0	1	Screw	Vite	Vis	Schraube	
28	12523020/0	1	Washer	Rosetta	Rondelle	Scheibe	
29	12154330/0	1	Nut	Dado	Ecrou	Mutter	
30	12731350/0	4	Screw	Vite	Vis	Schraube	
31	322545177/0	2	Plate	Piastrina	Plaquette	Platte	
33	22038407/0	2	Brass	Bronzina	Douille	Buchse	
34	12731350/0	4	Screw	Vite	Vis	Schraube	
35	22545156/0	2	Plate	Piastrina	Plaquette	Platte	
36	22038400/1	2	Brass	Bronzina	Douille	Buchse	
51	381002865/1	1	Axle, Front Wheels	Asse Ruote Anteriori	Axe Roues Avant	Achse, Vorderrad	
58	381002023/0	1	Rod, Height Adjustment	Asta Comando Regol. Altezza	Tige Commande Reglage Hauteur	Stange, Höheverstellung	
59	12000930/0	2	Snap Ring	Anello Elastico	Anneau Ressort	Sprengring	
61	122446187/0	1	Spring	Molla	Ressort	Feder	
62	12604899/0	2	Crown Fastener	Fissatore A Corona	Fixateur A Couronne	Kronescheibe	
63	22529662/0	1	Fulcrum Pin	Perno Fulcro	Pivot	Bolzen	
64	22672151/0	1	Washer	Rosetta	Rondelle	Scheibe	
65	322033299/0	1	Rod, Rear Wheels Axle	Asta Asse Posteriore	Tige, Axe Roue Arrieres	Stange, Hinterradachse	
66	381000499/0	1	Sector, Height Adjustment	Settore Regolazione Altezza	Secteur Reglage Hauteur	Sektor, Höheverstellung	
67	22672152/0	1	Washer	Rosetta	Rondelle	Scheibe	
68	22785109/0	1	Support, Height Adjustment	Supporto Regolazione Altezza	Support Reglage	Halter, Höheverstellung	
69	12293201/0	1	Nut	Dado	Ecrou	Mutter	
70	12793301/0	2	Screw	Vite	Vis	Schraube	
71	22785113/0	1	Support, Handle	Supporto Maniglia	Support Poignée	Halter, Griff	
72	12293201/0	2	Nut	Dado	Ecrou	Mutter	
73	12729600/0	1	Screw	Vite	Vis	Schraube	
74	12793301/0	1	Screw	Vite	Vis	Schraube	
75	25038002/1	2	Bush	Bussola	Douille	Buchse	
76	322393611/2	1	Handle	Maniglia	Poignée	Griff	
78	12293201/0	1	Nut	Dado	Ecrou	Mutter	
79	12622640/0	1	Pin	Spina	Goupille	Stift	
80	22446175/0	1	Spring	Molla	Ressort	Feder	
82	22675100/0	2	Washer	Rosetta	Rondelle	Scheibe	
83	12728691/0	6	Screw	Vite	Vis	Schraube	
84	22120110/0	2	Sprocket	Ruota Dentata	Couronne	Zahnkettenrad	
171	22140224/0	1	Cap	Tappo	Bouchon	Gummistopfen	



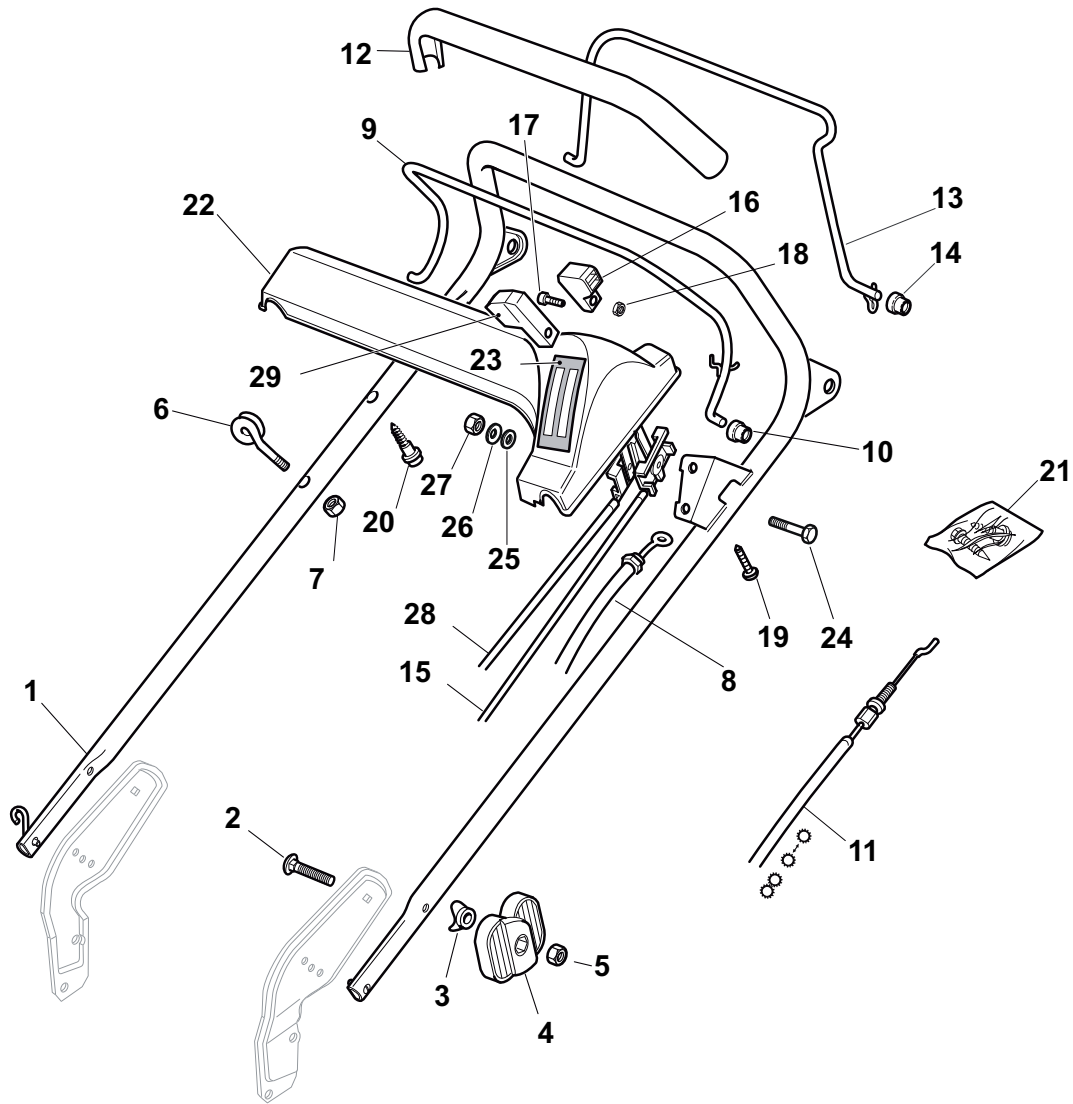
POS	PART. NO	Q.ty	DESCRIPTION	DESCRIZIONE	DESCRIPTION	BESCHREIBUNG	REMARKS
1	381003543/1	1	Deck Red	Chassis Rosso	Châssis Rouge	Gehäuse Rot	
2	12735402/0	4	Screw	Vite	Vis	Schraube	
3	322226112/1	1	Mask, Grey	Mascherina, Grigio	Mesque, Gris	Maske, Grau	
5	12728522/0	2	Screw	Vite	Vis	Schraube	
6	22060200/1	1	Protection, Belt	Carter Cinghia	Protection	Schutz, Riemen	
7	12729600/0	1	Screw	Vite	Vis	Schraube	
8	12523040/0	2	Washer	Rosetta	Rondelle	Scheibe	
9	22034000/0	1	Washing Connection	Attacco Lavaggio	Attaque Lavage	Waschenverbindung	
10	19035000/0	1	Or Ring	Anello Or	Bague Or	Ring Or	
11	12728519/0	3	Screw	Vite	Vis	Schraube	
12	322060144/3	1	Deck, Adjustment	Carter Regolazione	Châssis Reglage	Gehäuse	
13	22570200/0	1	Plate, Cutting Positions	Placchetta Posizioni	Plaquette Reglage	Platte, Höheverstellung	
14	12728520/0	1	Screw	Vite	Vis	Schraube	
15	12155000/0	2	Nut	Dado	Ecrou	Mutter	
17	22778397/1	1	Bracket, L	Staffa Sx	Bride G	Pratze, Linke	
20	22778396/1	1	Bracket, R	Staffa Dx	Bride D	Pratze, Rechte	
21	22601001/0	1	Protection	Protezione	Protection	Schutz	
22	12155000/0	2	Nut	Dado	Ecrou	Mutter	
23	12793301/0	2	Screw	Vite	Vis	Schraube	
24	22595352/0	1	Inspection Door	Portina Chiusura	Voyant De Visite	Abdeckplatte	
25	12729600/0	1	Screw	Vite	Vis	Schraube	
26	22108205/0	1	Conveyor	Convogliatore	Convoyeur	Konveyor	
27	12789000/0	1	Screw	Vite	Vis	Schraube	
28	12523020/0	1	Washer	Rosetta	Rondelle	Scheibe	
29	12154330/0	1	Nut	Dado	Ecrou	Mutter	
30	12731350/0	4	Screw	Vite	Vis	Schraube	
31	322545177/0	2	Plate	Piastrina	Plaquette	Platte	
33	22038407/0	2	Brass	Bronzina	Douille	Buchse	
34	12731350/0	4	Screw	Vite	Vis	Schraube	
35	22545156/0	2	Plate	Piastrina	Plaquette	Platte	
36	22038400/1	2	Brass	Bronzina	Douille	Buchse	
51	381002865/1	1	Axle, Front Wheels	Asse Ruote Anteriori	Axe Roues Avant	Achse, Vorderrad	
58	381002023/0	1	Rod, Height Adjustment	Asta Comando Regol. Altezza	Tige Commande Reglage Hauteur	Stange, Höheverstellung	
59	12000930/0	2	Snap Ring	Anello Elastico	Anneau Ressort	Sprengring	
61	122446187/0	1	Spring	Molla	Ressort	Feder	
62	12604899/0	2	Crown Fastener	Fissatore A Corona	Fixateur A Couronne	Kronescheibe	
63	22529662/0	1	Fulcrum Pin	Perno Fulcro	Pivot	Bolzen	
64	22672151/0	1	Washer	Rosetta	Rondelle	Scheibe	
65	322033299/0	1	Rod, Rear Wheels Axle	Asta Asse Posteriore	Tige, Axe Roue Arrieres	Stange, Hinterradachse	
66	381000499/0	1	Sector, Height Adjustment	Settore Regolazione Altezza	Secteur Reglage Hauteur	Sektor, Höheverstellung	
67	22672152/0	1	Washer	Rosetta	Rondelle	Scheibe	
68	22785109/0	1	Support, Height Adjustment	Supporto Regolazione Altezza	Support Reglage	Halter, Höheverstellung	
69	12293201/0	1	Nut	Dado	Ecrou	Mutter	
70	12793301/0	2	Screw	Vite	Vis	Schraube	
71	22785113/0	1	Support, Handle	Supporto Maniglia	Support Poignée	Halter, Griff	
72	12293201/0	2	Nut	Dado	Ecrou	Mutter	
73	12729600/0	1	Screw	Vite	Vis	Schraube	
74	12793301/0	1	Screw	Vite	Vis	Schraube	
75	25038002/1	2	Bush	Bussola	Douille	Buchse	
76	322393611/2	1	Handle	Maniglia	Poignée	Griff	
78	12293201/0	1	Nut	Dado	Ecrou	Mutter	
79	12622640/0	1	Pin	Spina	Goupille	Stift	
80	22446175/0	1	Spring	Molla	Ressort	Feder	
82	22675100/0	2	Washer	Rosetta	Rondelle	Scheibe	
83	12728691/0	6	Screw	Vite	Vis	Schraube	
84	22120110/0	2	Sprocket	Ruota Dentata	Couronne	Zahnkettenrad	
171	22140224/0	1	Cap	Tappo	Bouchon	Gummistopfen	



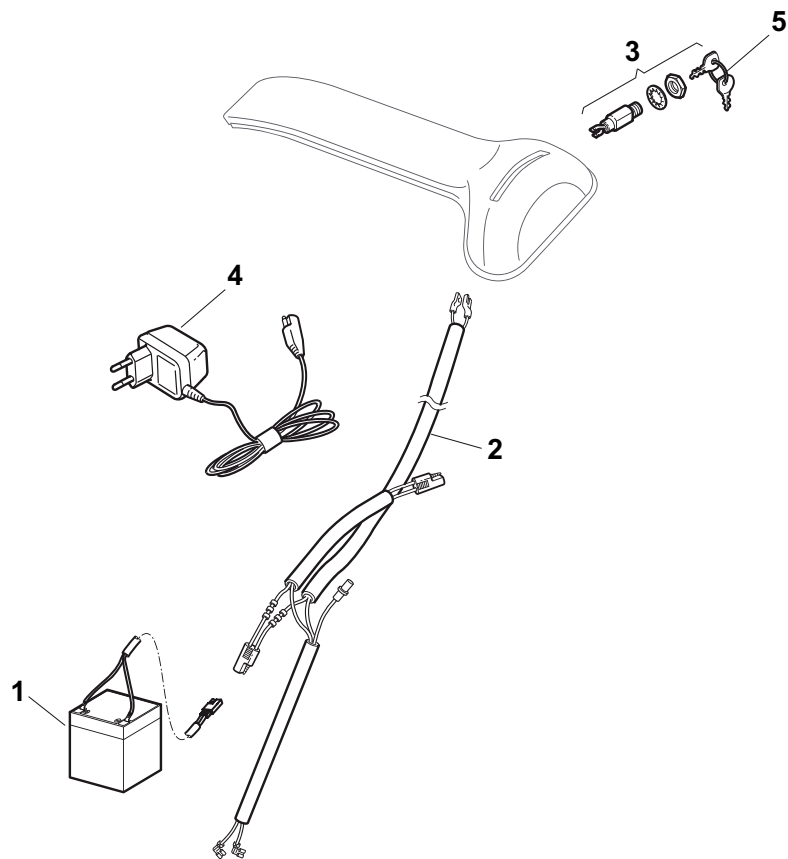
POS	PART. NO	Q.ty	DESCRIPTION	DESCRIZIONE	DESCRIPTION	BESCHREIBUNG	REMARKS
1	381003543/1	1	Deck Red	Chassis Rosso	Châssis Rouge	Gehäuse Rot	
2	12735402/0	4	Screw	Vite	Vis	Schraube	
3	22226050/0	1	Mask, Black	Mascherina, Nero	Mesque, Noir	Maske, Schwarz	
5	12728522/0	2	Screw	Vite	Vis	Schraube	
6	22060200/1	1	Protection, Belt	Carter Cinghia	Protection	Schutz, Riemen	
7	12729600/0	1	Screw	Vite	Vis	Schraube	
8	12523040/0	2	Washer	Rosetta	Rondelle	Scheibe	
9	22034000/0	1	Washing Connection	Attacco Lavaggio	Attaque Lavage	Waschenverbindung	
10	19035000/0	1	Or Ring	Anello Or	Bague Or	Ring Or	
11	12728519/0	3	Screw	Vite	Vis	Schraube	
12	322060144/3	1	Deck, Adjustment	Carter Regolazione	Châssis Reglage	Gehäuse	
13	22570200/0	1	Plate, Cutting Positions	Placchetta Posizioni	Plaquette Reglage	Platte, Höheverstellung	
14	12728520/0	1	Screw	Vite	Vis	Schraube	
15	12155000/0	2	Nut	Dado	Ecrou	Mutter	
17	22778397/1	1	Bracket, L	Staffa Sx	Bride G	Pratze, Linke	
20	22778396/1	1	Bracket, R	Staffa Dx	Bride D	Pratze, Rechte	
21	22601001/0	1	Protection	Protezione	Protection	Schutz	
22	12155000/0	2	Nut	Dado	Ecrou	Mutter	
23	12793301/0	2	Screw	Vite	Vis	Schraube	
24	22595352/0	1	Inspection Door	Portina Chiusura	Voyant De Visite	Abdeckplatte	
25	12729600/0	1	Screw	Vite	Vis	Schraube	
26	22108205/0	1	Conveyor	Convogliatore	Convoyeur	Konveyor	
27	12789000/0	1	Screw	Vite	Vis	Schraube	
28	12523020/0	1	Washer	Rosetta	Rondelle	Scheibe	
29	12154330/0	1	Nut	Dado	Ecrou	Mutter	
30	12731350/0	4	Screw	Vite	Vis	Schraube	
31	322545177/0	2	Plate	Piastrina	Plaquette	Platte	
33	22038407/0	2	Brass	Bronzina	Douille	Buchse	
34	12731350/0	4	Screw	Vite	Vis	Schraube	
35	22545156/0	2	Plate	Piastrina	Plaquette	Platte	
36	22038400/1	2	Brass	Bronzina	Douille	Buchse	
51	381002865/1	1	Axle, Front Wheels	Asse Ruote Anteriori	Axe Roues Avant	Achse, Vorderrad	
58	381002023/0	1	Rod, Height Adjustment	Asta Comando Regol. Altezza	Tige Commande Reglage Hauteur	Stange, Höheverstellung	
59	12000930/0	2	Snap Ring	Anello Elastico	Anneau Ressort	Sprengring	
61	122446187/0	1	Spring	Molla	Ressort	Feder	
62	12604899/0	2	Crown Fastener	Fissatore A Corona	Fixateur A Couronne	Kronescheibe	
63	22529662/0	1	Fulcrum Pin	Perno Fulcro	Pivot	Bolzen	
64	22672151/0	1	Washer	Rosetta	Rondelle	Scheibe	
65	322033299/0	1	Rod, Rear Wheels Axle	Asta Asse Posteriore	Tige, Axe Roue Arrieres	Stange, Hinterradachse	
66	381000499/0	1	Sector, Height Adjustment	Settore Regolazione Altezza	Secteur Reglage Hauteur	Sektor, Höheverstellung	
67	22672152/0	1	Washer	Rosetta	Rondelle	Scheibe	
68	22785109/0	1	Support, Height Adjustment	Supporto Regolazione Altezza	Support Reglage	Halter, Höheverstellung	
69	12293201/0	1	Nut	Dado	Ecrou	Mutter	
70	12793301/0	2	Screw	Vite	Vis	Schraube	
71	22785113/0	1	Support, Handle	Supporto Maniglia	Support Poignée	Halter, Griff	
72	12293201/0	2	Nut	Dado	Ecrou	Mutter	
73	12729600/0	1	Screw	Vite	Vis	Schraube	
74	12793301/0	1	Screw	Vite	Vis	Schraube	
75	25038002/1	2	Bush	Bussola	Douille	Buchse	
76	322393611/2	1	Handle	Maniglia	Poignée	Griff	
78	12293201/0	1	Nut	Dado	Ecrou	Mutter	
79	12622640/0	1	Pin	Spina	Goupille	Stift	
80	22446175/0	1	Spring	Molla	Ressort	Feder	
82	22675100/0	2	Washer	Rosetta	Rondelle	Scheibe	
83	12728691/0	6	Screw	Vite	Vis	Schraube	
84	22120110/0	2	Sprocket	Ruota Dentata	Couronne	Zahnkettenrad	
171	22140224/0	1	Cap	Tappo	Bouchon	Gummistopfen	



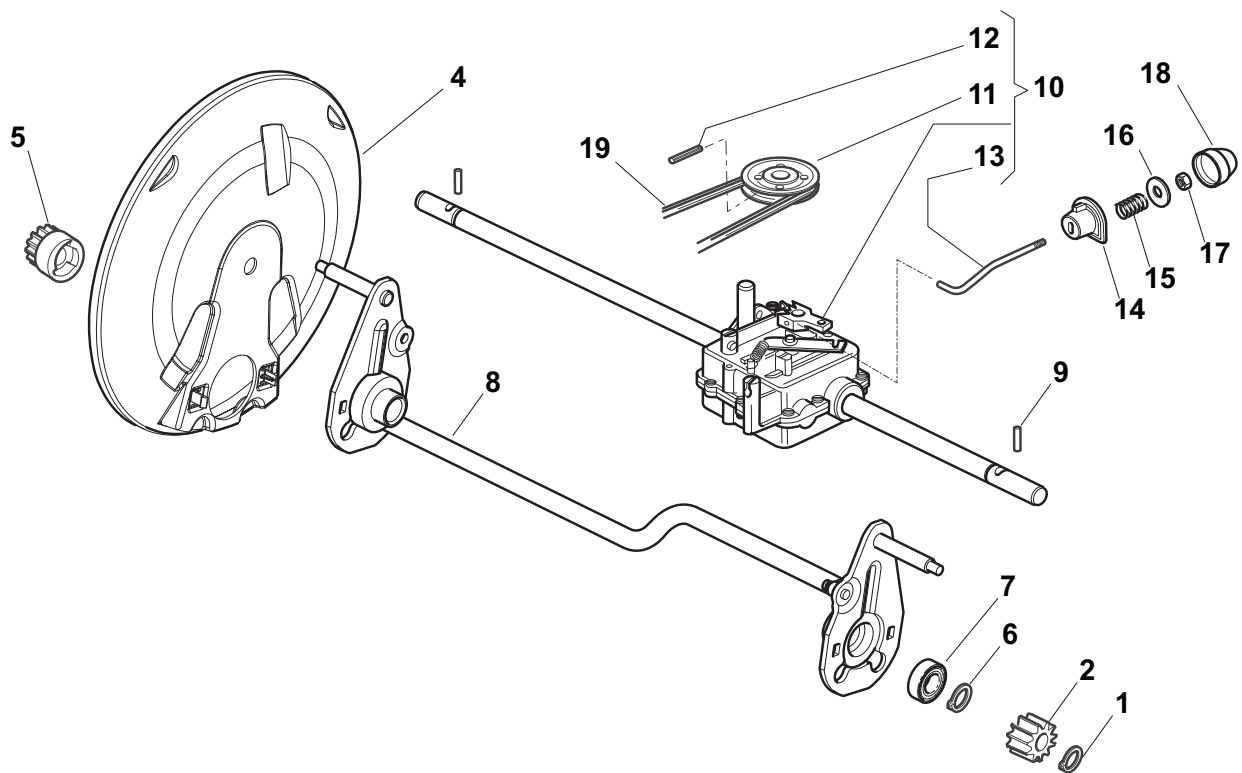
POS	PART. NO	Q.ty	DESCRIPTION	DESCRIZIONE	DESCRIPTION	BESCHREIBUNG	REMARKS
1	381003543/1	1	Deck Red	Chassis Rosso	Châssis Rouge	Gehäuse Rot	
2	12735402/0	4	Screw	Vite	Vis	Schraube	
3	322226124/0	1	Mask, Black	Mascherina, Nero	Mesque, Noir	Maske, Schwarz	
5	12728522/0	2	Screw	Vite	Vis	Schraube	
6	22060200/1	1	Protection, Belt	Carter Cinghia	Protection	Schutz, Riemen	
7	12729600/0	1	Screw	Vite	Vis	Schraube	
8	12523040/0	2	Washer	Rosetta	Rondelle	Scheibe	
9	22034000/0	1	Washing Connection	Attacco Lavaggio	Attaque Lavage	Waschenverbindung	
10	19035000/0	1	Or Ring	Anello Or	Bague Or	Ring Or	
11	12728519/0	3	Screw	Vite	Vis	Schraube	
12	322060144/3	1	Deck, Adjustment	Carter Regolazione	Châssis Reglage	Gehäuse	
13	22570200/0	1	Plate, Cutting Positions	Placchetta Posizioni	Plaquette Reglage	Platte, Höheverstellung	
14	12728520/0	1	Screw	Vite	Vis	Schraube	
15	12155000/0	2	Nut	Dado	Ecrou	Mutter	
17	22778397/1	1	Bracket, L	Staffa Sx	Bride G	Pratze, Linke	
20	22778396/1	1	Bracket, R	Staffa Dx	Bride D	Pratze, Rechte	
21	22601001/0	1	Protection	Protezione	Protection	Schutz	
22	12155000/0	2	Nut	Dado	Ecrou	Mutter	
23	12793301/0	2	Screw	Vite	Vis	Schraube	
24	22595352/0	1	Inspection Door	Portina Chiusura	Voyant De Visite	Abdeckplatte	
25	12729600/0	1	Screw	Vite	Vis	Schraube	
26	22108205/0	1	Conveyor	Convogliatore	Convoyeur	Konveyor	
27	12789000/0	1	Screw	Vite	Vis	Schraube	
28	12523020/0	1	Washer	Rosetta	Rondelle	Scheibe	
29	12154330/0	1	Nut	Dado	Ecrou	Mutter	
30	12731350/0	4	Screw	Vite	Vis	Schraube	
31	322545177/0	2	Plate	Piastrina	Plaquette	Platte	
33	22038407/0	2	Brass	Bronzina	Douille	Buchse	
34	12731350/0	4	Screw	Vite	Vis	Schraube	
35	22545156/0	2	Plate	Piastrina	Plaquette	Platte	
36	22038400/1	2	Brass	Bronzina	Douille	Buchse	
51	381002865/1	1	Axle, Front Wheels	Asse Ruote Anteriori	Axe Roues Avant	Achse, Vorderrad	
58	381002023/0	1	Rod, Height Adjustment	Asta Comando Regol. Altezza	Tige Commande Reglage Hauteur	Stange, Höheverstellung	
59	12000930/0	2	Snap Ring	Anello Elastico	Anneau Ressort	Sprengring	
61	122446187/0	1	Spring	Molla	Ressort	Feder	
62	12604899/0	2	Crown Fastener	Fissatore A Corona	Fixateur A Couronne	Kronescheibe	
63	22529662/0	1	Fulcrum Pin	Perno Fulcro	Pivot	Bolzen	
64	22672151/0	1	Washer	Rosetta	Rondelle	Scheibe	
65	322033299/0	1	Rod, Rear Wheels Axle	Asta Asse Posteriore	Tige, Axe Roue Arrieres	Stange, Hinterradachse	
66	381000499/0	1	Sector, Height Adjustment	Settore Regolazione Altezza	Secteur Reglage Hauteur	Sektor, Höheverstellung	
67	22672152/0	1	Washer	Rosetta	Rondelle	Scheibe	
68	22785109/0	1	Support, Height Adjustment	Supporto Regolazione Altezza	Support Reglage	Halter, Höheverstellung	
69	12293201/0	1	Nut	Dado	Ecrou	Mutter	
70	12793301/0	2	Screw	Vite	Vis	Schraube	
71	22785113/0	1	Support, Handle	Supporto Maniglia	Support Poignée	Halter, Griff	
72	12293201/0	2	Nut	Dado	Ecrou	Mutter	
73	12729600/0	1	Screw	Vite	Vis	Schraube	
74	12793301/0	1	Screw	Vite	Vis	Schraube	
75	25038002/1	2	Bush	Bussola	Douille	Buchse	
76	322393611/2	1	Handle	Maniglia	Poignée	Griff	
78	12293201/0	1	Nut	Dado	Ecrou	Mutter	
79	12622640/0	1	Pin	Spina	Goupille	Stift	
80	22446175/0	1	Spring	Molla	Ressort	Feder	
82	22675100/0	2	Washer	Rosetta	Rondelle	Scheibe	
83	12728691/0	6	Screw	Vite	Vis	Schraube	
84	22120110/0	2	Sprocket	Ruota Dentata	Couronne	Zahnkettenrad	
171	22140224/0	1	Cap	Tappo	Bouchon	Gummistopfen	



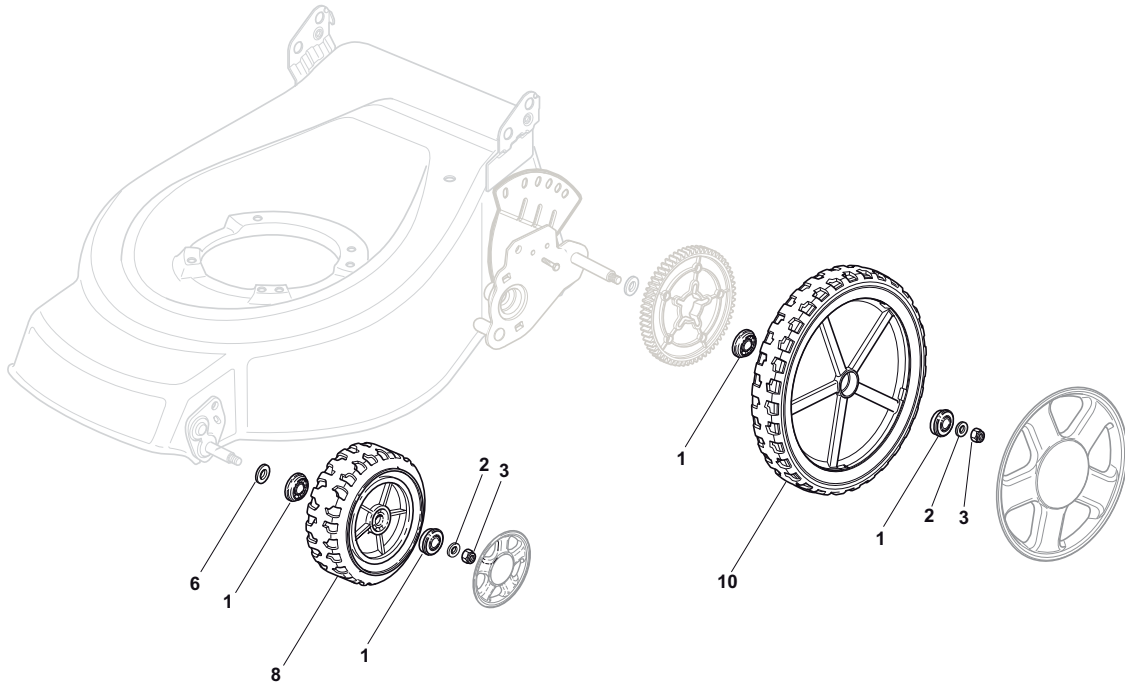
POS	PART. NO	Q.ty	DESCRIPTION	DESCRIZIONE	DESCRIPTION	BESCHREIBUNG	REMARKS
1	81007028/1	1	Handle, Upper Part	Manico, Parte Sup	Mancheron, Partie Superieure	Holm, Oberteil	
2	12819120/0	2	Screw	Vite	Vis	Schraube	
3	22680006/1	2	Washer	Rosetta	Rondelle	Scheibe	
4	22399803/0	2	Knob	Manopolina	Poignée	Griff	
5	12293200/0	2	Nut	Dado	Ecrou	Mutter	
6	22430309/0	1	Guide Spring	Molla Guida	Ressort De Guide	Feder Führer	
7	12154330/0	1	Nut	Dado	Ecrou	Mutter	
8	81000629/1	1	Cable, Thread Engine Brake	Cavo Freno Motore	Cable Frein Moteur	Kabel, Motorbremse	Tecumseh
8	81000616/1	1	Cable, Thread Engine Brake	Cavo Freno Motore	Cable Frein Moteur	Kabel, Motorbremse	Honda
8	81000634/0	1	Cable, Thread Engine Brake	Cavo Freno Motore	Cable Frein Moteur	Kabel, Motorbremse	B&S
8	81000631/0	1	Cable, Thread Engine Brake	Cavo Freno Motore	Cable Frein Moteur	Kabel, Motorbremse	GGP
9	81003291/3	1	Lever, Engine Brake	Leva Freno Motore	Levier Frein Moteur	Hebel, Motorbremse	
10	22041966/0	2	Bush	Bussola	Douille	Buchse	
11	81000670/0	1	Cable, Rear Drive	Cavo Comando Trazione	Câble, Commande Traction	Kabel, Antrieb	
12	22291050/0	1	Handgrip Black	Impugnatura Manico Nera	Poignée Noire	Handgriff Schwarz	
13	81003288/1	1	Lever, Driving	Leva Trazione	Levier Traction	Hebel, Antrieb	
14	22041965/1	2	Bush	Bussola	Douille	Buchse	
15	81007091/0	1	Throttle Cable	Cavo Acceleratore	Cable, Accelérateur	Gashebel Kabel	B&S
15	81007092/0	1	Throttle Cable	Cavo Acceleratore	Cable, Accelérateur	Gashebel Kabel	GGP-Honda
16	22399801/0	1	Knob	Manopolina	Poignée	Griff	
17	122726388/0	2	Screw	Vite	Vis	Schraube	
18	12290800/0	2	Nut	Dado	Ecrou	Mutter	
19	12728460/0	1	Screw	Vite	Vis	Schraube	
20	22943006/0	1	Screw	Vite	Vis	Schraube	
21	81008499/1	1	Outfit, Dash-Board Screws	Dotazione Viteria Cruscotto	Dotation Visserie Console	Satz, Konsole Schrauben	
22	22120148/0	1	Dash Board Yellow	Cruscotto Giallo	Console Jaune	Konsole Gelbe	
22	22120150/0	1	Dash Board Red	Cruscotto Rosso	Console Rouge	Konsole Rote	
22	22120164/0	1	Dash Board Black	Cruscotto Nero	Console Noire	Konsole Schwarze	
23	14356693/0	1	Label	Etichetta	Etiquette	Etikette	B&S-GGP
23	114357387/0	1	Label	Etichetta	Etiquette	Etikette	B&S 700
23	14356692/0	1	Label	Etichetta	Etiquette	Etikette	Honda
23	114357387/0	1	Label	Etichetta	Etiquette	Etikette	Honda AC
24	12788910/0	2	Screw	Vite	Vis	Schraube	
25	12523020/0	2	Washer	Rosetta	Rondelle	Scheibe	
26	12581500/0	2	Grower	Grower	Grower	Federring	
27	12291000/0	2	Nut	Dado	Ecrou	Mutter	
28	81007099/0	1	Cable, Speed Drive Control	Cavo Comando Marce	Cable, Comm. Changement Vitesse	Kabel, Gängeschaltun	
29	22399802/0	1	Knob	Manopolina	Poignée	Griff	



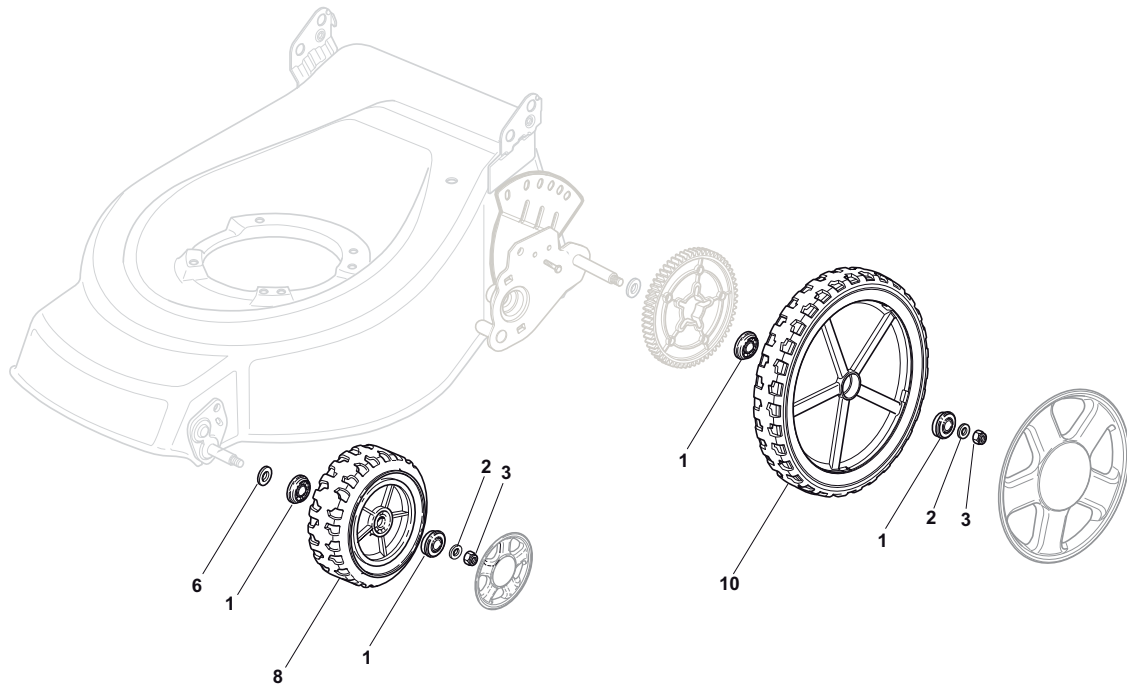
POS	PART. NO	Q.ty	DESCRIPTION	DESCRIZIONE	DESCRIPTION	BESCHREIBUNG	REMARKS
1	18120052/0	1	Battery	Batteria	Batterie	Batterie	
2	118204192/3	1	Cable, Start	Cavo Avviamento	Cable Démarrage	Kabel, Start	B&S-GGP
2	18204198/0	1	Cable, Start	Cavo Avviamento	Cable Démarrage	Kabel, Start	Honda
3	18450050/0	1	Switch	Interruttore	Interrupteur	Schalter	
4	18204120/0	1	Battery Charger	Carica Batteria	Chargeur De	Ladgerät	CE
4	18204121/0	1	Battery Charger	Carica Batteria	Chargeur De	Ladgerät	UK
5	18210016/1	1	Starting Key	Chiave Avviamento	Clef A Demarrage	Schlüssel Für Start	



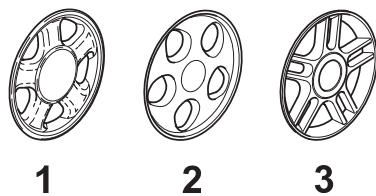
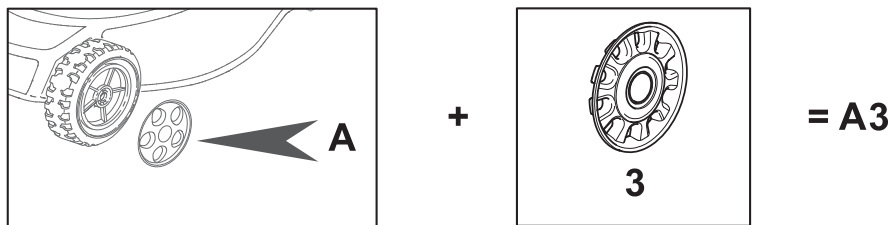
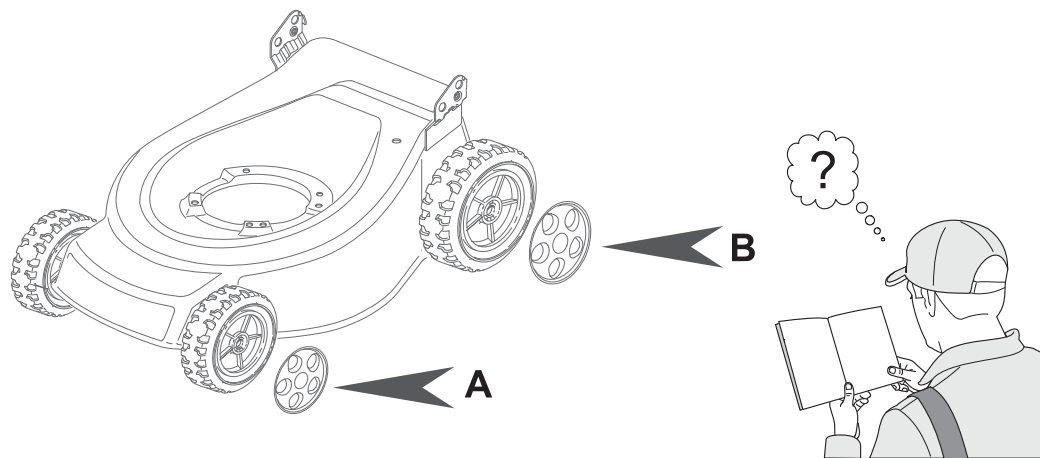
POS	PART. NO	Q.ty	DESCRIPTION	DESCRIZIONE	DESCRIPTION	BESCHREIBUNG	REMARKS
1	112608600/0	2	Seeger	Seeger	Seeger	Seeger	
2	122570120/1	1	Pinion Left	Pignone Sx	Pignon Gauche	Ritzel Linkes	
4	322600160/0	2	Protection, Wheel	Protezione Ruota	Protection Roue	Schütz, Räder	
5	122570110/1	1	Pinion Right	Pignone Dx	Pignon Droit	Ritzel Rechtes	
6	112608600/0	2	Seeger	Seeger	Seeger	Seeger	
7	119216035/0	2	Bearing	Cuscinetto	Roulement	Kugellager	
8	381302867/0	1	Axle, Rear Wheels	Asse Ruote Posteriore	Axe Roues Arriere	Achse, Hinterrad	
9	122753000/0	2	Pin	Spina	Goupille	Stift	
10	181003080/0	1	Gear Box	Gruppo Trazione	Groupe Traction	Antrieb	
11	122601908/0	1	Pulley	Puleggia	Poulie	Riemenscheibe	
12	112645705/0	1	Elastic Pin	Spina Elastica	Goupille Élastique	Stift	
13	122033282/1	1	Adjustment Rod	Asta Regolazione	Tige Reglage	Verstellungstange	
14	122041957/1	1	Bushing	Boccola	Douille	Büchse	
15	122450063/0	1	Spring	Molla	Ressort	Feder	
16	322680009/0	1	Washer	Rondella	Rondelle	Scheibe	
17	112154510/0	1	Nut	Dado	Ecrou	Mutter	
18	122110230/0	1	Hub Cover	Coprizzo	Couvre Moyeu	Nabedeckel	
19	135064197/0	1	Belt	Cinghia	Courroie	Riemen	



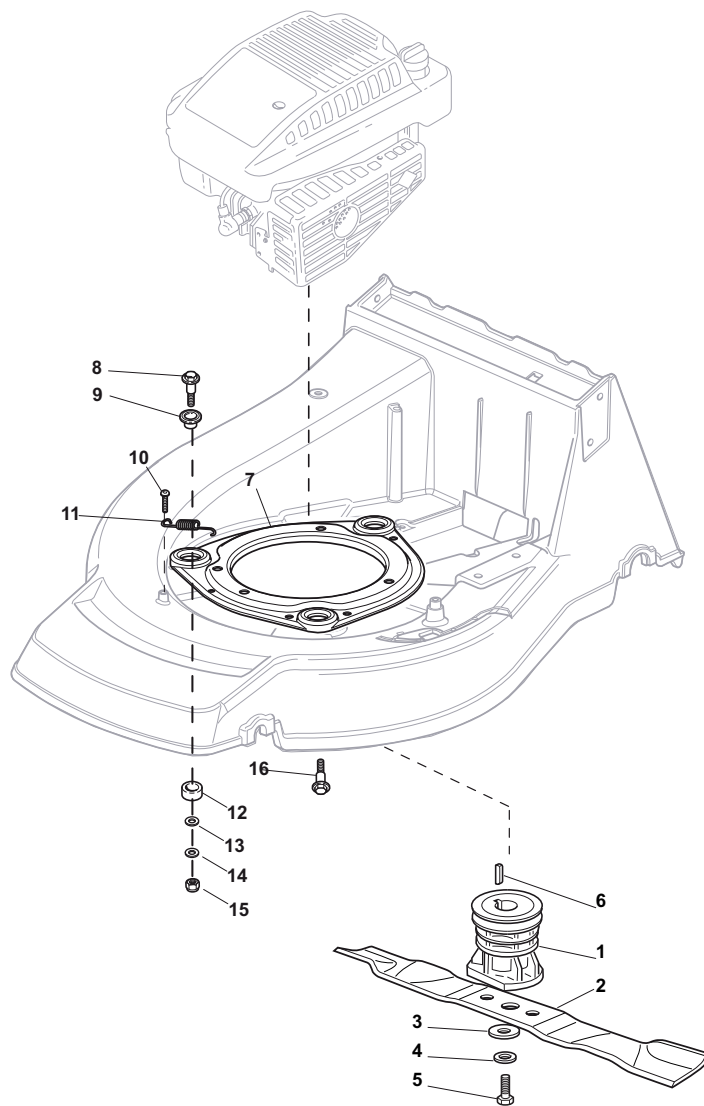
POS	PART. NO	Q.ty	DESCRIPTION	DESCRIZIONE	DESCRIPTION	BESCHREIBUNG	REMARKS
1	22122200/0	8	Bearing	Cuscinetto	Coussinet	Lager	
2	12521350/0	4	Washer	Rosetta	Rondelle	Scheibe	
3	12155000/0	2	Nut	Dado	Ecrou	Mutter	
6	12530150/0	2	Washer	Rosetta	Rondelle	Scheibe	
8	381007390/1	2	Wheel Ø 210	Ruota Ø 210	Roue Ø 210	Rad Ø 210	
10	381007391/1	2	Wheel Ø 300	Ruota Ø 300	Roue Ø 300	Rad Ø 300	



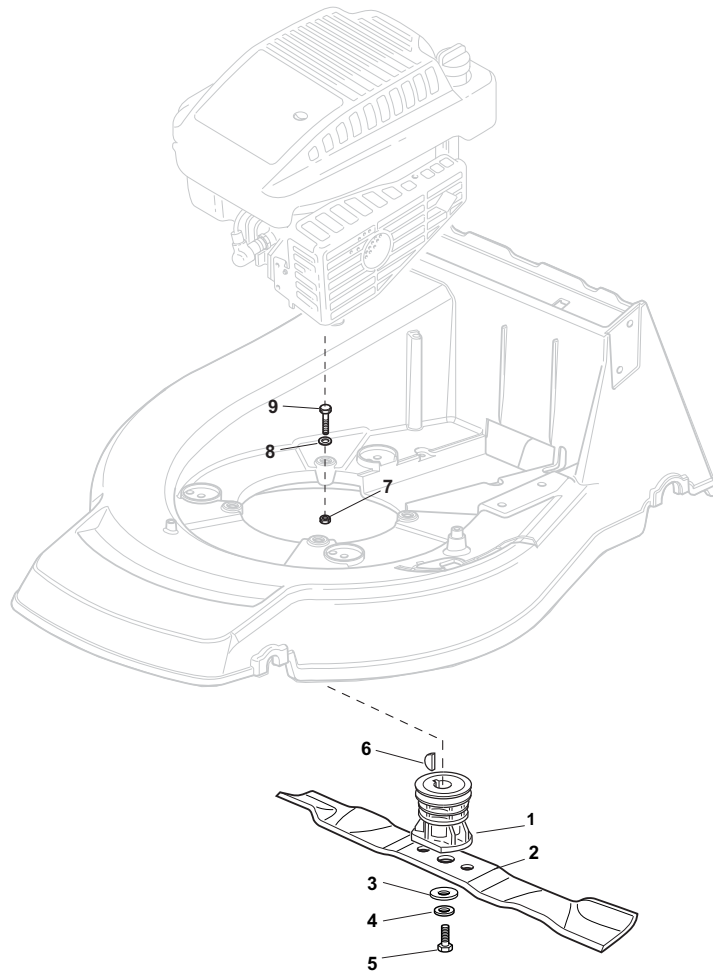
POS	PART. NO	Q.ty	DESCRIPTION	DESCRIZIONE	DESCRIPTION	BESCHREIBUNG	REMARKS
1	22122200/0	8	Bearing	Cuscinetto	Coussinet	Lager	
2	12521350/0	4	Washer	Rosetta	Rondelle	Scheibe	
3	12155000/0	2	Nut	Dado	Ecrou	Mutter	
6	12530150/0	2	Washer	Rosetta	Rondelle	Scheibe	
8	81007343/0	2	Wheel Ø 210	Ruota Ø 210	Roue Ø 210	Rad Ø 210	
10	81007380/0	2	Wheel Ø 300	Ruota Ø 300	Roue Ø 300	Rad Ø 300	



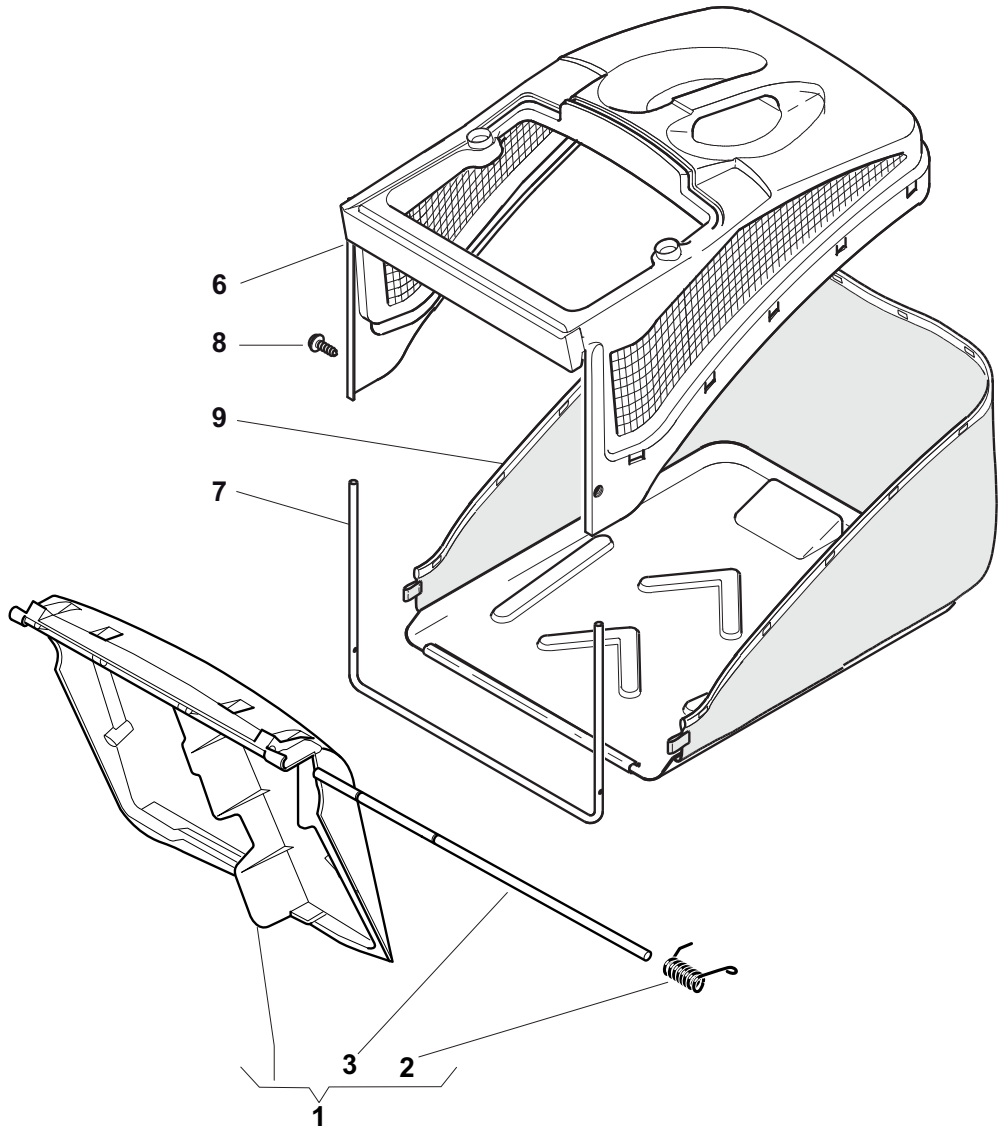
POS	PART. NO	Q.ty	DESCRIPTION	DESCRIZIONE	DESCRIPTION	BESCHREIBUNG	REMARKS
A1	22110382/0	2	Hub Cap	Coprimozzo	Couvre-Moyeu	Radkappe	
B1	22110511/0	2	Hub Cap	Coprimozzo	Couvre-Moyeu	Radkappe	
A2	22110417/0	2	Hub Cap	Coprimozzo	Couvre-Moyeu	Radkappe	
B2	322110590/0	2	Hub Cap	Coprimozzo	Couvre-Moyeu	Radkappe	
A3	22110492/0	2	Hub Cap	Coprimozzo	Couvre-Moyeu	Radkappe	
B3	322110560/0	2	Hub Cap	Coprimozzo	Couvre-Moyeu	Radkappe	



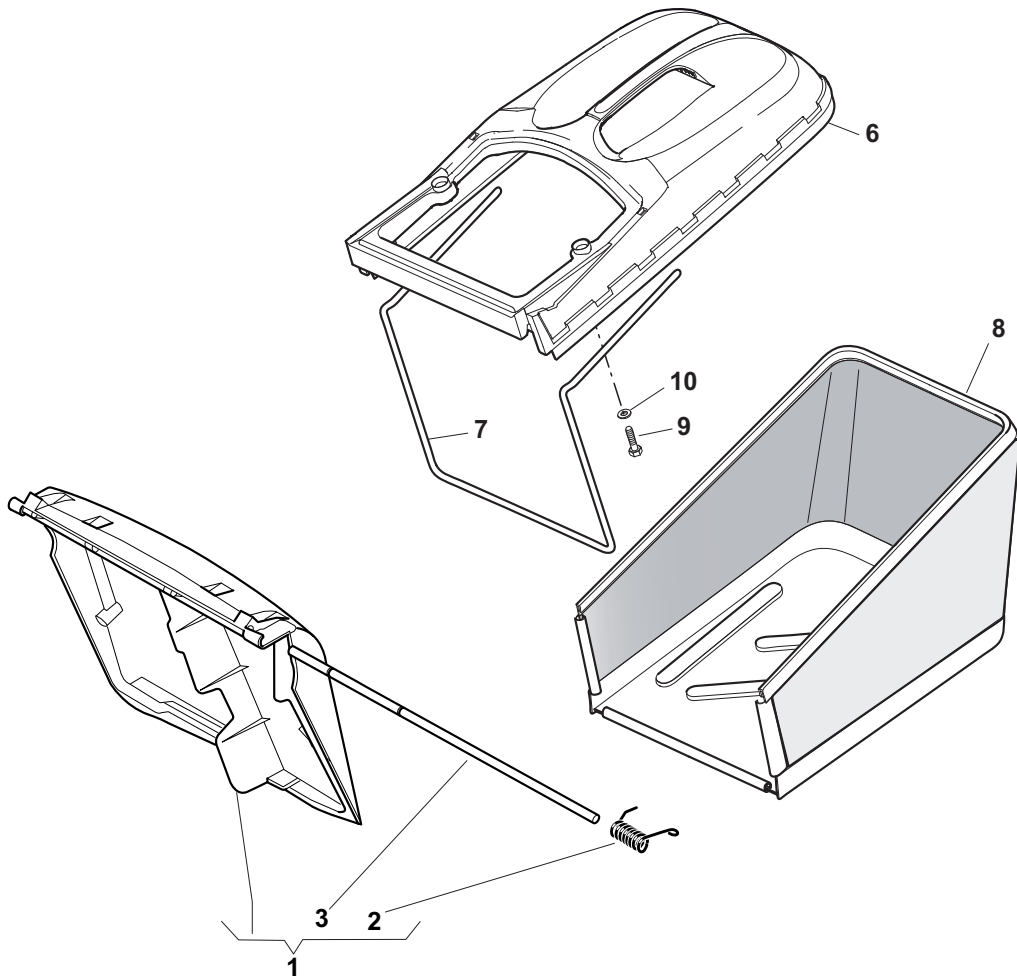
POS	PART. NO	Q.ty	DESCRIPTION	DESCRIZIONE	DESCRIPTION	BESCHREIBUNG	REMARKS
1	122465638/1	1	Hub With Pulley, Crankshaft Ø 22	Mozzo Con Puleggia, Albero Motore Ø 22	Moyeu Avec Poulie, Arbre Moteur Ø 22	Nabe Mit Scheibe, Motorwelle Ø 22	GGP-B&S
1	122465639/1	1	Hub With Pulley, Crankshaft Ø 25	Mozzo Con Puleggia, Albero Motore Ø 25	Moyeu Avec Poulie, Arbre Moteur Ø 25	Nabe Mit Scheibe, Motorwelle Ø 25	Honda
2	81004381/1	1	Blade Standard	Coltello Standard	Lame Standard	Messer Standard	
2	81004383/0	1	Blade, Avs	Coltello, Avs	Lame, Avs	Messer, Avs	
3	22160400/0	1	Elastic Washer	Disco Elastico	Rondelle Elastique	Elastischescheibe	
4	12523080/0	1	Washer	Rosetta	Rondelle	Scheibe	
5	12736815/0	1	Screw	Vite	Vis	Schraube	
6	12139100/0	1	Feather, Crankshaft Ø 22.2	Linguetta, Albero Motore Ø 22.2	Clavette, Arbre Moteur Ø 22.2	Keil, Motorwelle Ø 22.2	GGP-B&S
6	12139150/0	1	Feather, Crankshaft Ø 25	Linguetta, Albero Motore Ø 25	Clavette, Arbre Moteur Ø 25	Keil, Motorwelle Ø 25	Honda
7	22207223/0	1	Flange	Flangia	Bride	Flansch	
8	22524329/0	3	Pin	Perno	Pivot	Bolzen	
9	22672201/0	3	Washer	Rosetta	Rondelle	Scheibe	
10	12729601/1	1	Screw	Vite	Vis	Schraube	
11	22450445/0	1	Spring	Molla	Ressort	Feder	
12	22250012/0	3	Grommet	Gommino	Caoutchouc	Gummi	
13	22671651/0	3	Washer	Rosetta	Rondelle	Scheibe	
14	12521350/0	3	Washer	Rosetta	Rondelle	Scheibe	
15	12155000/0	3	Nut	Dado	Ecrou	Mutter	
16	112735108/1	3	Screw	Vite	Vis	Schraube	



POS	PART. NO	Q.ty	DESCRIPTION	DESCRIZIONE	DESCRIPTION	BESCHREIBUNG	REMARKS
1	122465607/3	1	Hub With Pulley, Crankshaft Ø 22	Mozzo Con Puleggia, Albero Motore Ø 22	Moyeu Avec Poulie, Arbre Moteur Ø 22	Nabe Mit Scheibe, Motorwelle Ø 22	GGP-B&S
1	122465608/2	1	Hub With Pulley, Crankshaft Ø 25	Mozzo Con Puleggia, Albero Motore Ø 25	Moyeu Avec Poulie, Arbre Moteur Ø 25	Nabe Mit Scheibe, Motorwelle Ø 25	Honda
2	81004383/0	1	Blade Standard	Coltello Standard	Lame Standard	Messer Standard	
3	22160400/0	1	Elastic Washer	Disco Elastico	Rondelle Elastique	Elastischescheibe	
4	12523080/0	1	Washer	Rosetta	Rondelle	Scheibe	
5	12735698/0	1	Screw	Vite	Vis	Schraube	
6	12139100/0	1	Feather, Crankshaft Ø 22.2	Linguetta, Albero Motore Ø 22.2	Clavette, Arbre Moteur Ø 22.2	Keil, Motorwelle Ø 22.2	GGP-B&S
6	12139150/0	1	Feather, Crankshaft Ø 25	Linguetta, Albero Motore Ø 25	Clavette, Arbre Moteur Ø 25	Keil, Motorwelle Ø 25	Honda
7	12155000/0	3	Nut	Dado	Ecrou	Mutter	
8	12521350/0	3	Washer	Rosetta	Rondelle	Scheibe	
9	12691800/0	2	Screw	Vite	Vis	Schraube	B&S
9	12692080/0	1	Screw	Vite	Vis	Schraube	B&S
9	12691900/0	3	Screw	Vite	Vis	Schraube	Honda-GGP



POS	PART. NO	Q.ty	DESCRIPTION	DESCRIZIONE	DESCRIPTION	BESCHREIBUNG	REMARKS
1	381008050/0	1	Stone-Guard	Parasassi	Pare-Pierres	Prallblech	
2	22451000/0	1	Spring	Molla	Ressort	Feder	
3	22517857/0	1	Pin	Perno	Pivot	Bolzen	
6	22486094/0	1	Grass-Box, Upper	Sacco, Parte Sup	Sac, Partie	Korb, Oberteil	
7	22608524/0	1	Stiffening Lower	Rinforzo Inf	Réinforcement Inf	Verstärkung	
8	12728445/0	2	Screw	Vite	Vis	Schraube	
9	81002196/0	1	Box, Fabric	Sacco, Tela	Sac, Toile	Sack, Tuck	



POS	PART. NO	Q.ty	DESCRIPTION	DESCRIZIONE	DESCRIPTION	BESCHREIBUNG	REMARKS
1	381008050/0	1	Stone-Guard	Parasassi	Pare-Pierres	Prallblech	
2	22451000/0	1	Spring	Molla	Ressort	Feder	
3	22517857/0	1	Pin	Perno	Pivot	Bolzen	
6	22486102/0	1	Grass-Box, Upper	Sacco, Parte Sup	Sac, Partie	Korb, Oberteil	
7	22608526/0	1	Stiffening Lower	Rinforzo Inf	Réinforcement Inf	Verstärkung	
8	81002212/0	1	Box, Fabric	Sacco, Tela	Sac, Toile	Sack, Tuck	
9	12728680/0	2	Screw	Vite	Vis	Schraube	
10	12523050/0	2	Washer	Rosetta	Rondelle	Scheibe	