

# ILLUSTRATED PARTS LIST

## NTL 534 WTR NTL 534 WTR Q

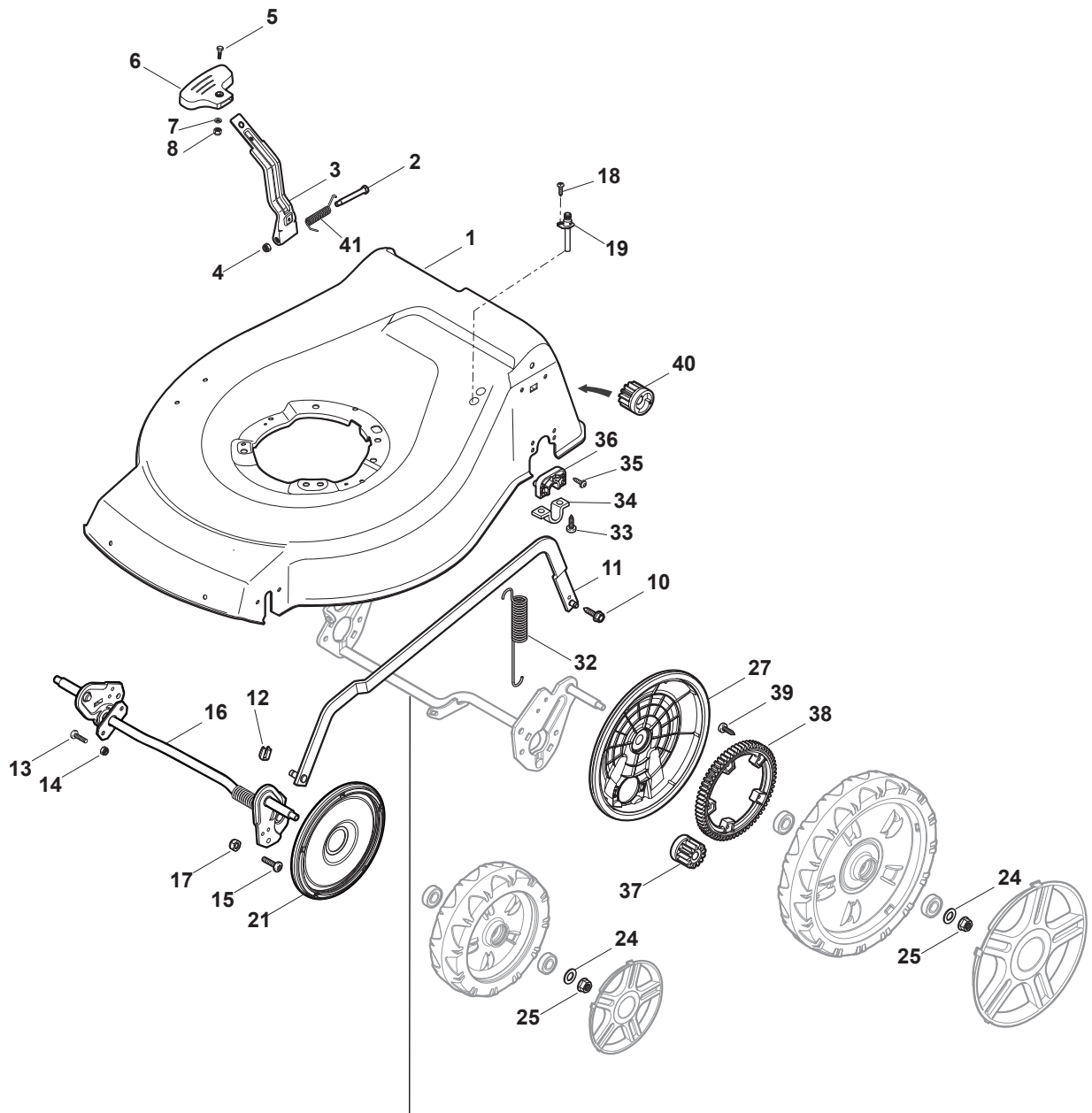


- Use GLOBAL GARDEN PRODUCT Genuine Spare Parts specified in the parts list for repair and/or replacement.
- The contents described in the parts list may change due to improvement.
- The drawings of the spare parts are only indicative and might not represent the part in question exactly.
- The indications "right" - "left" - "front" - "rear" refer to the position of the operator when using the machine.
- When placing orders of parts for repair and/or replacement, make sure that the illustrated parts list is the one applying to the machine's year of manufacture, as shown on the identification plate attached to the machine.

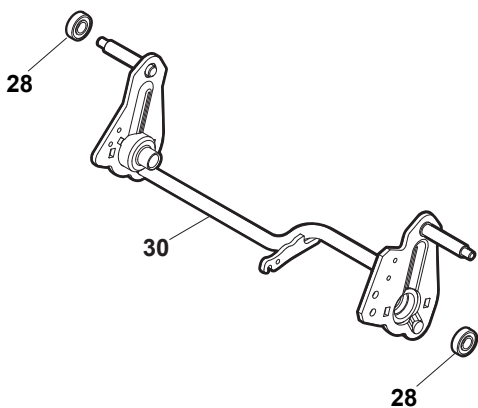
© Copyright 2012 Global Garden Products

All content is subject to copyright by Global Garden Products and may not be reproduced in whole or in part by any means, electronic or otherwise, without prior written approval.

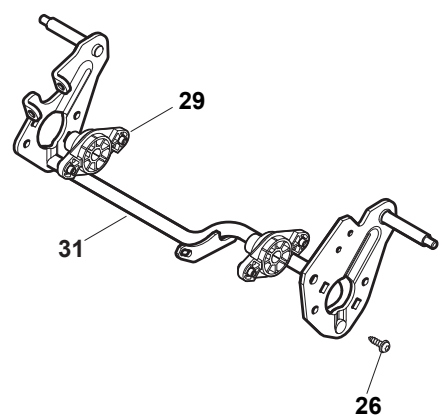
THIS INFORMATION IS NOT INTENDED FOR SALE OR RESALE, AND THIS NOTICE MUST REMAIN ON ALL COPIES.



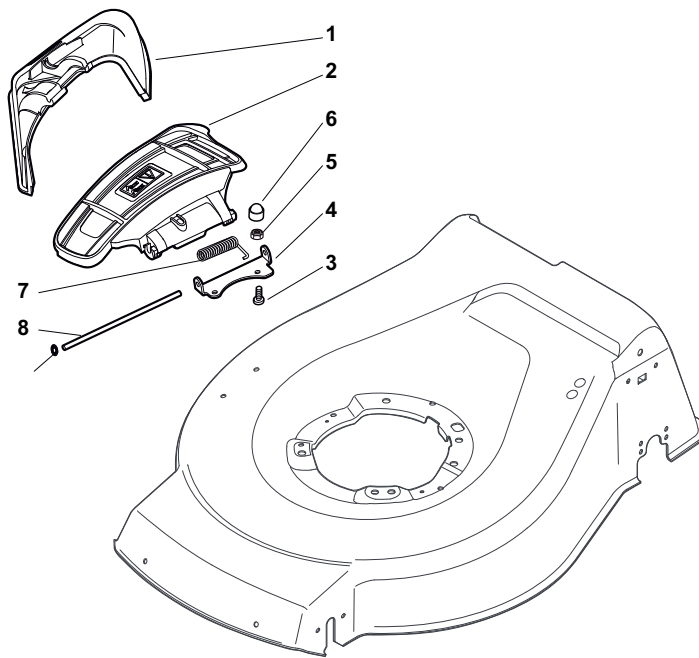
**Rear Axle with Bearing**



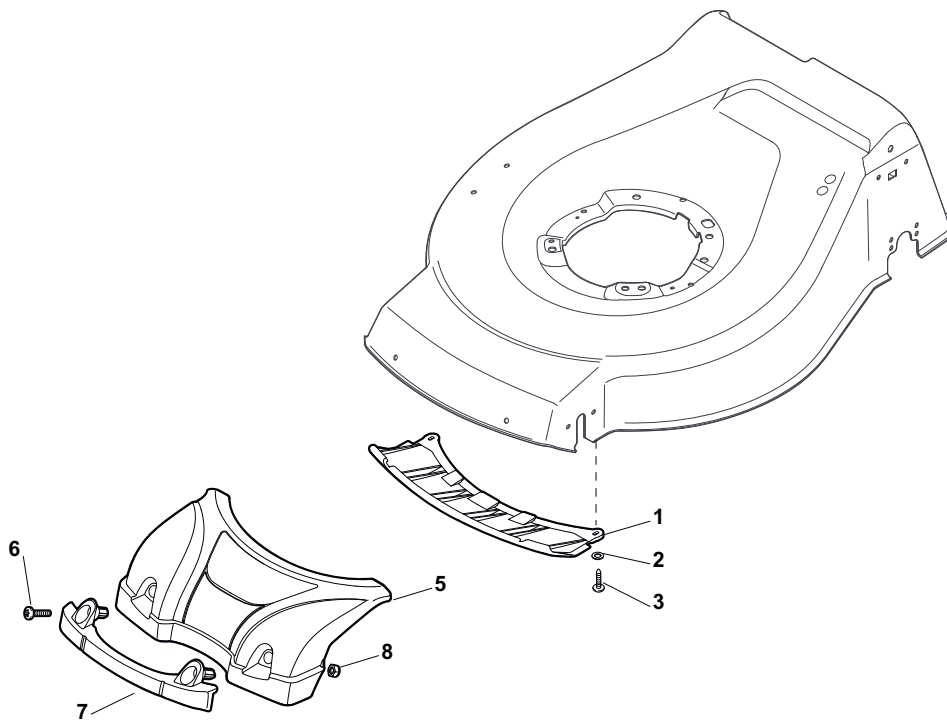
**Rear Axle with Plastic Bushing**



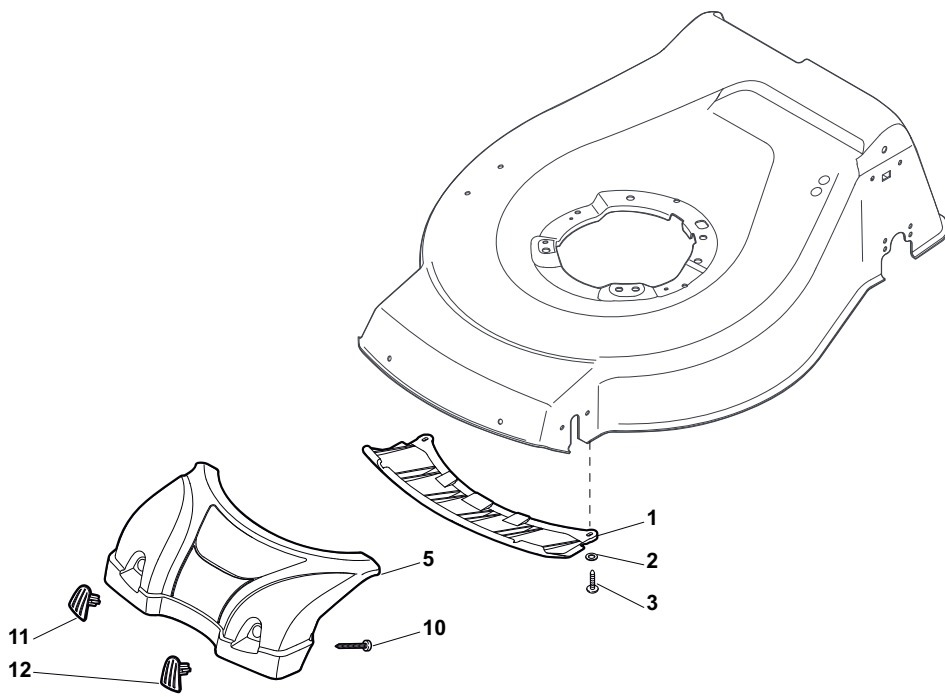
| POS | PART. NO    | Q.ty | DESCRIPTION              | DESCRIZIONE                 | DESCRIPTION                   | BESCHREIBUNG            | REMARKS             |
|-----|-------------|------|--------------------------|-----------------------------|-------------------------------|-------------------------|---------------------|
| 1   | 381004540/0 | 1    | Deck Red                 | Chassis Rosso               | Châssis Rouge                 | Gehäuse Rot             |                     |
| 1   | 381004590/0 | 1    | Deck Yellow              | Chassis Giallo              | Châssis Jaune                 | Gehäuse Gelb            |                     |
| 1   | 381004542/0 | 1    | Deck Red                 | Chassis Rosso               | Châssis Rouge                 | Gehäuse Rot             | Side Discharge      |
| 2   | 122534131/0 | 1    | Pin                      | Perno                       | Pivot                         | Bolzen                  |                     |
| 3   | 381003398/0 | 1    | Lever, Height Adjustment | Leva Regolazione Altezza    | Levier Reglage Hauteur        | Hebel, Höneverstellung  |                     |
| 4   | 112154510/0 | 1    | Nut                      | Dado                        | Ecrou                         | Mutter                  |                     |
| 5   | 112788512/0 | 1    | Screw                    | Vite                        | Vis                           | Schraube                |                     |
| 6   | 322394503/0 | 1    | Knob                     | Manopolina                  | Poignée                       | Griff                   |                     |
| 7   | 112521310/0 | 1    | Washer                   | Rosetta                     | Rondelle                      | Scheibe                 |                     |
| 8   | 112150000/0 | 1    | Nut                      | Dado                        | Ecrou                         | Mutter                  |                     |
| 10  | 122943013/0 | 1    | Screw                    | Vite                        | Vis                           | Schraube                |                     |
| 11  | 381002032/0 | 1    | Rod, Height Adjustment   | Asta Comando Regol. Altezza | Tige Commande Reglage Hauteur | Stange, Höneverstellung |                     |
| 12  | 112436051/0 | 1    | Plate                    | Piastrina                   | Plaquette                     | Plättchen               |                     |
| 13  | 112727803/0 | 3    | Screw                    | Vite                        | Vis                           | Schraube                |                     |
| 14  | 112154510/0 | 3    | Nut                      | Dado                        | Ecrou                         | Mutter                  |                     |
| 15  | 112727801/0 | 1    | Screw                    | Vite                        | Vis                           | Schraube                |                     |
| 16  | 381002887/1 | 1    | Axle, Front Wheels       | Asse Ruote Anteriori        | Axe Roues Avant               | Achse, Vorderrad        |                     |
| 17  | 112154510/0 | 1    | Nut                      | Dado                        | Ecrou                         | Mutter                  |                     |
| 18  | 112728450/0 | 1    | Screw                    | Vite                        | Vis                           | Schraube                |                     |
| 19  | 322034002/0 | 1    | Washing Connection       | Attacco Acqua Lavaggio      | Attaque Lavage                | Waschenverbindung       |                     |
| 21  | 322600145/0 | 2    | Protection, Wheel        | Protezione Ruote            | Protection Roue               | Schütz, Räder           |                     |
| 24  | 112521350/0 | 4    | Washer                   | Rosetta                     | Rondelle                      | Scheibe                 |                     |
| 25  | 112155000/0 | 4    | Nut                      | Dado                        | Ecrou                         | Mutter                  |                     |
| 26  | 112728697/0 | 4    | Screw                    | Vite                        | Vis                           | Schraube                |                     |
| 27  | 322600208/0 | 2    | Protection, Wheel        | Protezione Ruote            | Protection Roue               | Schütz, Räder           |                     |
| 28  | 119216035/0 | 2    | Bearing                  | Cuscinetto                  | Coussinet                     | Lager                   |                     |
| 29  | 322042063/0 | 2    | Bush                     | Bussola                     | Douille                       | Büchse                  |                     |
| 30  | 381302835/1 | 1    | Axle, Rear Wheels        | Asse Ruote Posteriore       | Axe Roues Arriere             | Achse, Hinterrad        | for Bearing         |
| 31  | 381302839/0 | 1    | Axle, Rear Wheels        | Asse Ruote Posteriore       | Axe Roues Arriere             | Achse, Hinterrad        | for Plastic Bushing |
| 32  | 122450460/0 | 1    | Spring                   | Molla                       | Ressort                       | Feder                   |                     |
| 33  | 112728697/0 | 4    | Screw                    | Vite                        | Vis                           | Schraube                |                     |
| 34  | 322545152/0 | 2    | Plate                    | Piastrina                   | Plaquette                     | Plättchen               |                     |
| 35  | 112728697/0 | 4    | Screw                    | Vite                        | Vis                           | Schraube                |                     |
| 36  | 322785304/1 | 2    | Support                  | Supporto                    | Support                       | Halter                  |                     |
| 37  | 122570134/0 | 1    | Pinion L                 | Pignone Sx                  | Pignon G                      | Ritzel Linkes           |                     |
| 38  | 322120115/0 | 2    | Ring Gear                | Corona                      | Couronne                      | Kranz                   |                     |
| 39  | 112728706/0 | 6    | Screw                    | Vite                        | Vis                           | Schraube                |                     |
| 40  | 122570133/0 | 1    | Pinion R                 | Pignone Dx                  | Pignon D                      | Ritzel Rechtes          |                     |
| 41  | 122446192/0 | 1    | Spring                   | Molla                       | Ressort                       | Feder                   |                     |



| POS | PART. NO    | Q.ty | DESCRIPTION    | DESCRIZIONE        | DESCRIPTION         | BESCHREIBUNG  | REMARKS |
|-----|-------------|------|----------------|--------------------|---------------------|---------------|---------|
| 1   | 322108295/0 | 1    | Stone-Guard    | Parasassi          | Pare-Pierres        | Prallblech    |         |
| 2   | 322600195/0 | 1    | Ejection Guard | Protezione Uscita  | Protection Sortie   | Auswurfschutz |         |
| 3   | 112727803/0 | 2    | Screw          | Vite               | Vis                 | Schraube      |         |
| 4   | 322806639/0 | 1    | Fulcrum Pin    | Perno Fulcro       | Pivot               | Gelenkpunkt   |         |
| 5   | 112154510/0 | 2    | Nut            | Dado               | Ecrou               | Mutter        |         |
| 6   | 118203853/0 | 2    | Protection     | Cappuccio          | Capuchon            | Stecker       |         |
| 7   | 122450456/0 | 1    | Spring         | Molla              | Ressort             | Feder         |         |
| 8   | 122517869/0 | 1    | Pin            | Perno              | Pivot               | Bolzen        |         |
| 9   | 112604896/0 | 2    | Crown Fastener | Fissatore A Corona | Fixateur A Couronne | Kronescheibe  |         |

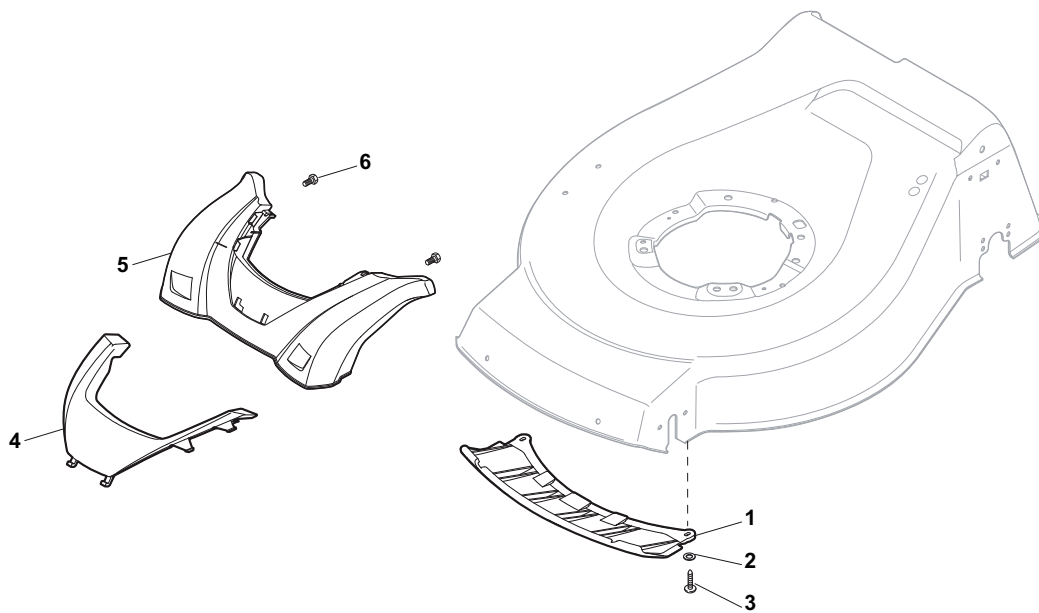


| POS | PART. NO    | Q.ty | DESCRIPTION    | DESCRIZIONE        | DESCRIPTION    | BESCHREIBUNG   | REMARKS |
|-----|-------------|------|----------------|--------------------|----------------|----------------|---------|
| 1   | 322500103/0 | 1    | Front Combi    | Pettine Anteriore  | Vorne Comb     | Peigne Avant   |         |
| 2   | 112523000/1 | 2    | Washer         | Rosetta            | Rondelle       | Scheibe        |         |
| 3   | 112728124/0 | 2    | Screw          | Vite               | Vis            | Schraube       |         |
| 5   | 322226145/0 | 1    | Mask, Red      | Mascherina, Rosso  | Mesque, Rouge  | Maske, Rot     |         |
| 5   | 322226146/0 | 1    | Mask, Yellow   | Mascherina, Giallo | Mesque, Jaune  | Maske, Gelb    |         |
| 5   | 322226152/0 | 1    | Mask, Black    | Mascherina, Nero   | Mesque, Noir   | Maske, Schwarz |         |
| 5   | 322226154/0 | 1    | Mask, Black    | Mascherina, Nero   | Mesque, Noir   | Maske, Schwarz |         |
| 6   | 112727799/0 | 2    | Screw          | Vite               | Vis            | Schraube       |         |
| 7   | 322393638/0 | 1    | Handle, Black  | Maniglia, Nero     | Poignee, Noir  | Griff, Schwarz |         |
| 7   | 322393639/0 | 1    | Handle, Grey   | Maniglia Grigio    | Poignee, Gris  | Griff, Grau    |         |
| 7   | 322393640/0 | 1    | Handle, Yellow | Maniglia, Gialla   | Poignee, Jaune | Griff, Gelb    |         |
| 8   | 112154510/0 | 2    | Nut            | Dado               | Ecrou          | Mutter         |         |

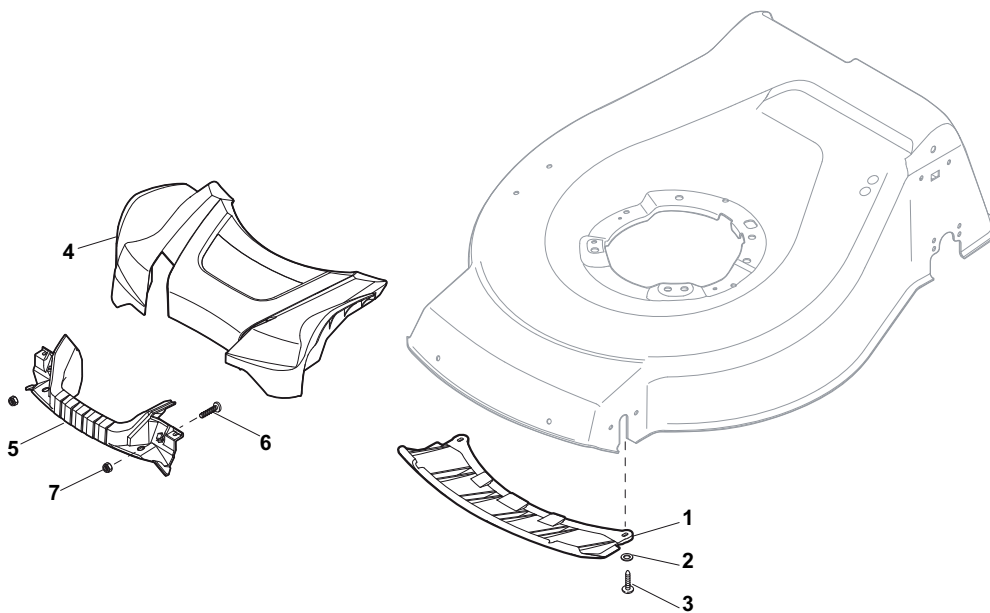




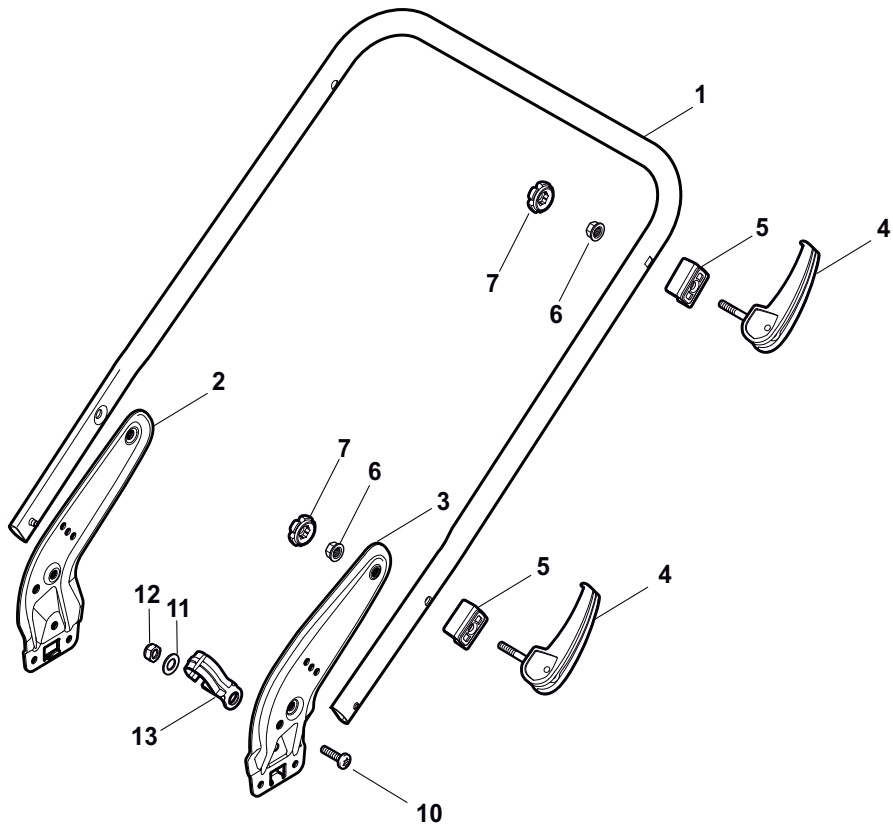
| POS | PART. NO    | Q.ty | DESCRIPTION  | DESCRIZIONE        | DESCRIPTION   | BESCHREIBUNG   | REMARKS |
|-----|-------------|------|--------------|--------------------|---------------|----------------|---------|
| 1   | 322500103/0 | 1    | Front Combi  | Pettine Anteriore  | Vorne Comb    | Peigne Avant   |         |
| 2   | 112523000/1 | 2    | Washer       | Rosetta            | Rondelle      | Scheibe        |         |
| 3   | 112728124/0 | 2    | Screw        | Vite               | Vis           | Schraube       |         |
| 5   | 322226145/0 | 1    | Mask, Red    | Mascherina, Rosso  | Mesque, Rouge | Maske, Rot     |         |
| 5   | 322226146/0 | 1    | Mask, Yellow | Mascherina, Giallo | Mesque, Jaune | Maske, Gelb    |         |
| 5   | 322226152/0 | 1    | Mask, Black  | Mascherina, Nero   | Mesque, Noir  | Maske, Schwarz |         |
| 5   | 322226154/0 | 1    | Mask, Black  | Mascherina, Nero   | Mesque, Noir  | Maske, Schwarz |         |
| 10  | 112728697/0 | 2    | Screw        | Vite               | Vis           | Schraube       |         |
| 11  | 322820082/0 | 1    | Cap          | Puntale            | Bouchon       | Gummistopfen   |         |
| 12  | 322820083/0 | 1    | Cap          | Puntale            | Bouchon       | Gummistopfen   |         |



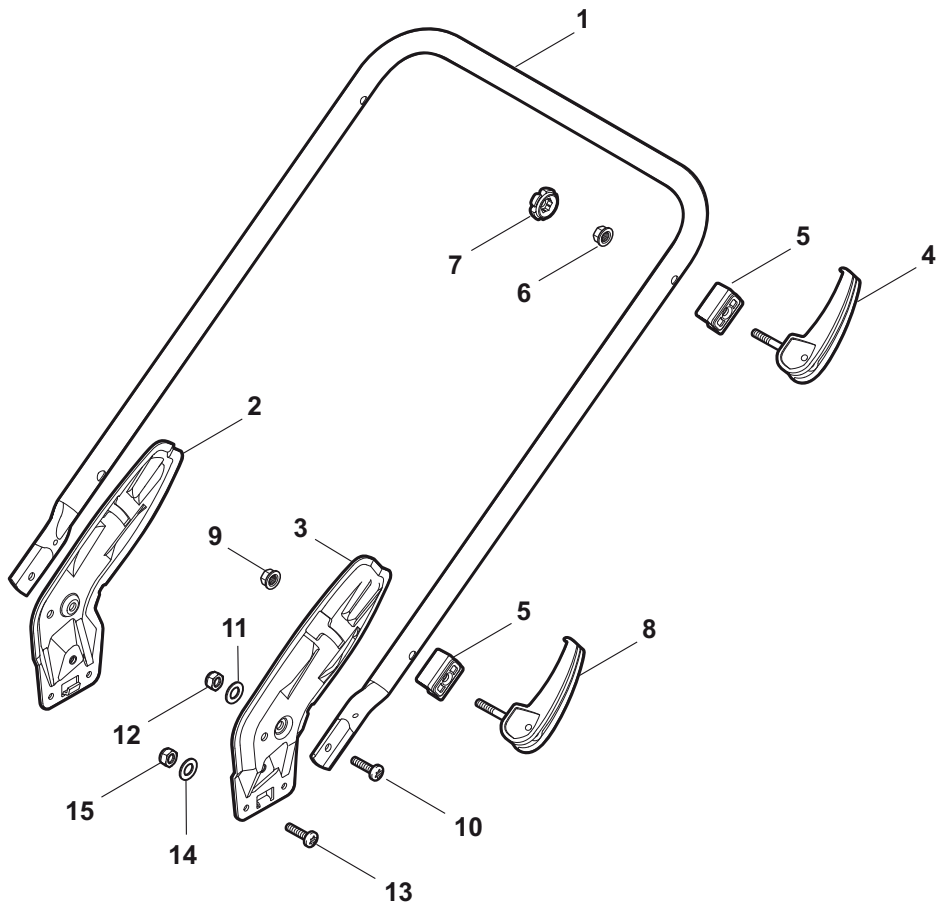
| POS | PART. NO    | Q.ty | DESCRIPTION   | DESCRIZIONE       | DESCRIPTION     | BESCHREIBUNG    | REMARKS |
|-----|-------------|------|---------------|-------------------|-----------------|-----------------|---------|
| 1   | 322500103/0 | 1    | Front Combi   | Pettine Anteriore | Vorne Comb      | Peigne Avant    |         |
| 2   | 112523000/1 | 2    | Washer        | Rosetta           | Rondelle        | Scheibe         |         |
| 3   | 112728124/0 | 2    | Screw         | Vite              | Vis             | Schraube        |         |
| 4   | 322226167/0 | 1    | Frontal Plate | Piastra Frontale  | Avant Plaquette | Front Plättchen |         |
| 5   | 322226166/0 | 1    | Mask, Black   | Mascherina, Nero  | Mesque, Noir    | Maske, Schwarz  |         |
| 6   | 112728300/0 | 2    | Screw         | Vite              | Vis             | Schraube        |         |



| POS | PART. NO    | Q.ty | DESCRIPTION | DESCRIZIONE       | DESCRIPTION  | BESCHREIBUNG   | REMARKS |
|-----|-------------|------|-------------|-------------------|--------------|----------------|---------|
| 1   | 322500103/0 | 1    | Front Combi | Pettine Anteriore | Vorne Comb   | Peigne Avant   |         |
| 2   | 112523000/1 | 2    | Washer      | Rosetta           | Rondelle     | Scheibe        |         |
| 3   | 112728124/0 | 2    | Screw       | Vite              | Vis          | Schraube       |         |
| 4   | 322226158/0 | 1    | Mask, Black | Mascherina, Nero  | Mesque, Noir | Maske, Schwarz |         |
| 5   | 322393642/0 | 1    | Bumper      | Bumper            | Bumper       | Bumper         |         |
| 6   | 112727799/0 | 2    | Screw       | Vite              | Vis          | Schraube       |         |
| 7   | 112154510/0 | 2    | Nut         | Dado              | Ecrou        | Mutter         |         |

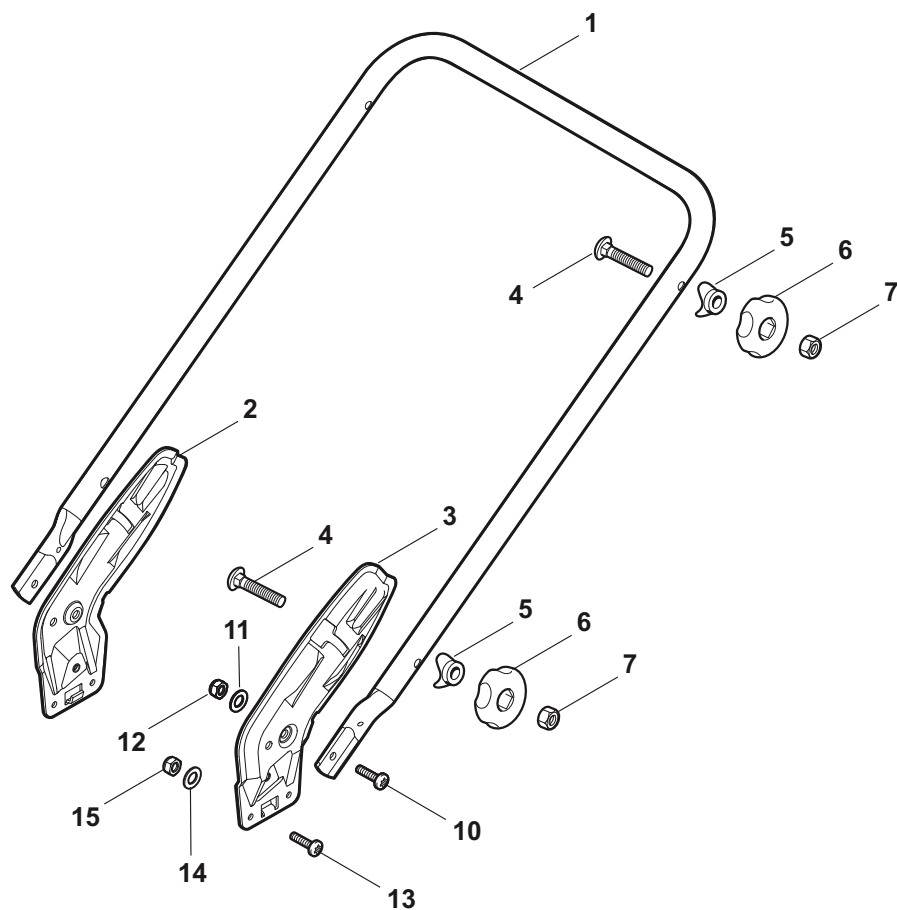


| POS | PART. NO    | Q.ty | DESCRIPTION        | DESCRIZIONE        | DESCRIPTION                | BESCHREIBUNG       | REMARKS |
|-----|-------------|------|--------------------|--------------------|----------------------------|--------------------|---------|
| 1   | 381006719/0 | 1    | Handle, Lower Part | Parte Inf Maniglia | Poignée, Partie Inferieure | Griff, Unterteil   | Black   |
| 1   | 381006720/0 | 1    | Handle, Lower Part | Parte Inf Maniglia | Poignée, Partie Inferieure | Griff, Unterteil   | Grey    |
| 2   | 381005149/0 | 1    | Bracket, R         | Staffa Dx          | Etrier Droit               | Steigbügel, Rechte |         |
| 3   | 381005151/0 | 1    | Bracket, L         | Staffa Sx          | Etrier Gauche              | Steigbügel, Linke  |         |
| 4   | 381003253/0 | 2    | Handle             | Maniglia           | Poignée                    | Griff              |         |
| 5   | 322680016/0 | 4    | Support            | Supporto           | Support                    | Halter             |         |
| 6   | 122131750/0 | 4    | Nut                | Dado               | Ecrou                      | Mutter             |         |
| 7   | 322399835/0 | 4    | Knob               | Manopolina         | Poignée                    | Griff              |         |
| 10  | 112760605/0 | 2    | Screw              | Vite               | Vis                        | Schraube           |         |
| 11  | 125038002/1 | 2    | Bush               | Bussola            | Douille                    | Büchse             |         |
| 12  | 112155000/0 | 2    | Nut                | Dado               | Ecrou                      | Mutter             |         |
| 13  | 322192156/0 | 1    | Fair Led           | Fascetta           | Collier                    | Bowdenzughalter    |         |
| 14  | 381103350/0 | 2    | Handle             | Maniglia           | Poignée                    | Griff              |         |

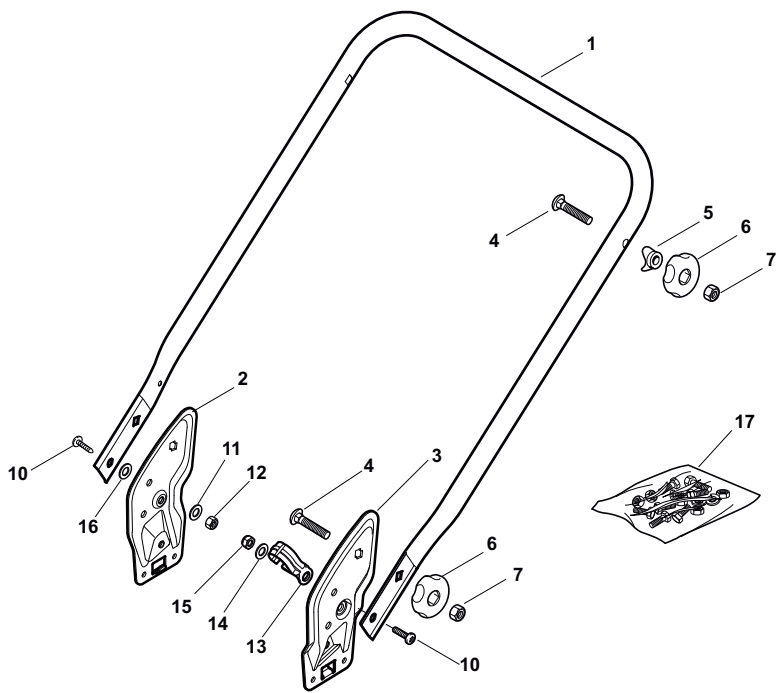




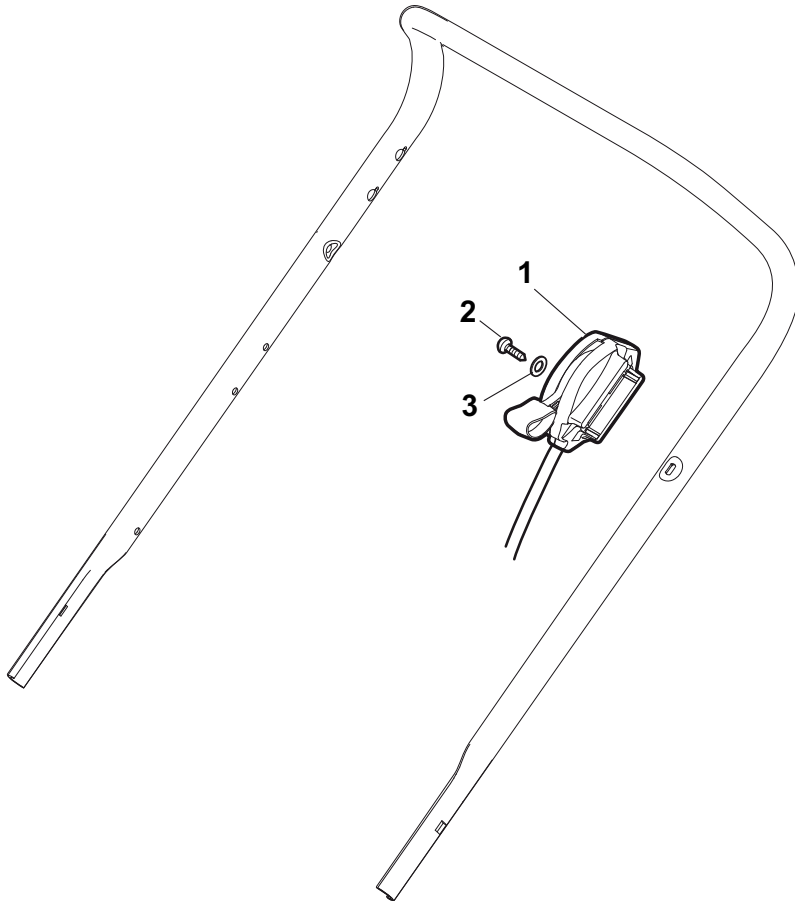
| POS | PART. NO    | Q.ty | DESCRIPTION        | DESCRIZIONE        | DESCRIPTION                | BESCHREIBUNG       | REMARKS |
|-----|-------------|------|--------------------|--------------------|----------------------------|--------------------|---------|
| 1   | 381006891/0 | 1    | Handle, Lower Part | Parte Inf Maniglia | Poignée, Partie Inferieure | Griff, Unterteil   |         |
| 2   | 381005125/0 | 1    | Bracket, R         | Staffa Dx          | Etrier Droit               | Steigbügel, Rechte |         |
| 3   | 381005127/0 | 1    | Bracket, L         | Staffa Sx          | Etrier Gauche              | Steigbügel, Linke  |         |
| 4   | 381103350/0 | 2    | Handle             | Maniglia           | Poignée                    | Griff              |         |
| 5   | 322680016/0 | 4    | Support            | Supporto           | Support                    | Halter             |         |
| 6   | 122131750/0 | 2    | Nut                | Dado               | Ecrou                      | Mutter             |         |
| 7   | 322399835/0 | 2    | Knob               | Manopolina         | Poignée                    | Griff              |         |
| 8   | 381003254/0 | 2    | Handle             | Maniglia           | Poignée                    | Griff              |         |
| 9   | 112154220/0 | 2    | Nut                | Dado               | Ecrou                      | Mutter             |         |
| 10  | 112760605/0 | 2    | Screw              | Vite               | Vis                        | Schraube           |         |
| 11  | 112521350/0 | 2    | Washer             | Rosetta            | Rondelle                   | Scheibe            |         |
| 12  | 112155000/0 | 2    | Nut                | Dado               | Ecrou                      | Mutter             |         |
| 13  | 112727803/0 | 6    | Screw              | Vite               | Vis                        | Schraube           |         |
| 14  | 112523040/0 | 6    | Washer             | Rosetta            | Rondelle                   | Scheibe            |         |
| 15  | 112154510/0 | 6    | Nut                | Dado               | Ecrou                      | Mutter             |         |



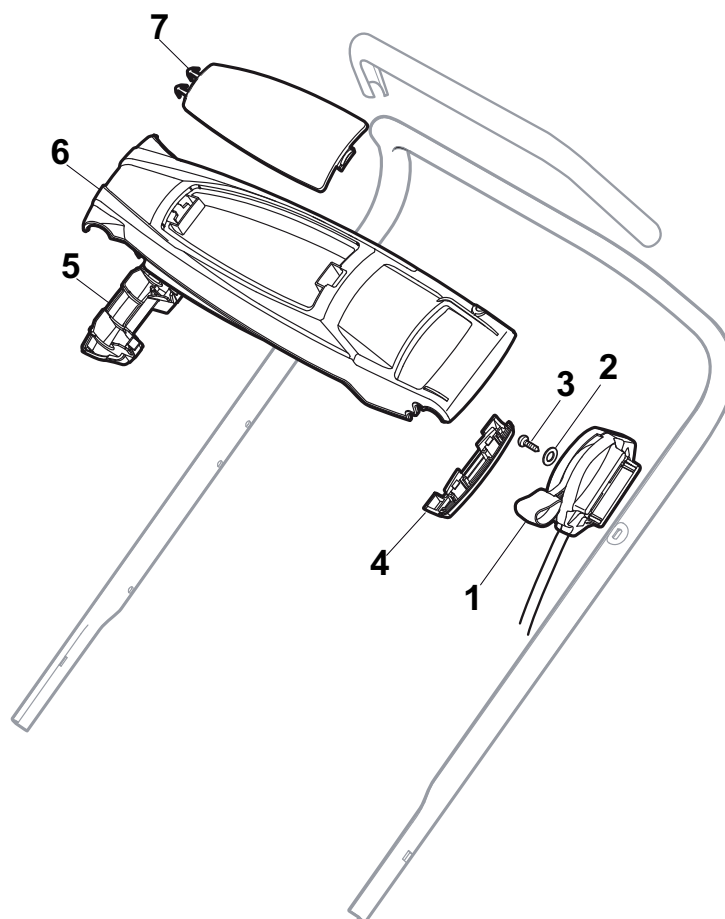
| POS | PART. NO    | Q.ty | DESCRIPTION        | DESCRIZIONE        | DESCRIPTION                | BESCHREIBUNG       | REMARKS |
|-----|-------------|------|--------------------|--------------------|----------------------------|--------------------|---------|
| 1   | 381006889/0 | 1    | Handle, Lower Part | Parte Inf Maniglia | Poignée, Partie Inferieure | Griff, Unterteil   |         |
| 2   | 381005125/0 | 1    | Bracket, R         | Staffa Dx          | Etrier Droit               | Steigbügel, Rechte |         |
| 3   | 381005127/0 | 1    | Bracket, L         | Staffa Sx          | Etrier Gauche              | Steigbügel, Linke  |         |
| 4   | 112819120/0 | 4    | Screw              | Vite               | Vis                        | Schraube           |         |
| 5   | 122680006/1 | 4    | Washer             | Rosetta            | Rondelle                   | Scheibe            |         |
| 6   | 322399804/1 | 4    | Knob               | Manopolina         | Poignée                    | Griff              |         |
| 7   | 112293200/0 | 4    | Nut                | Dado               | Ecrou                      | Mutter             |         |
| 10  | 112760605/0 | 2    | Screw              | Vite               | Vis                        | Schraube           |         |
| 11  | 112521350/0 | 2    | Washer             | Rosetta            | Rondelle                   | Scheibe            |         |
| 12  | 112155000/0 | 2    | Nut                | Dado               | Ecrou                      | Mutter             |         |
| 13  | 112727803/0 | 6    | Screw              | Vite               | Vis                        | Schraube           |         |
| 14  | 112523040/0 | 6    | Washer             | Rosetta            | Rondelle                   | Scheibe            |         |
| 15  | 112154510/0 | 6    | Nut                | Dado               | Ecrou                      | Mutter             |         |



| POS | PART. NO    | Q.ty | DESCRIPTION        | DESCRIZIONE        | DESCRIPTION                | BESCHREIBUNG       | REMARKS |
|-----|-------------|------|--------------------|--------------------|----------------------------|--------------------|---------|
| 1   | 381007043/0 | 1    | Handle, Lower Part | Parte Inf Maniglia | Poignée, Partie Inferieure | Griff, Unterteil   |         |
| 2   | 381005133/0 | 1    | Bracket, R         | Staffa Dx          | Etrier Droit               | Steigbügel, Rechte |         |
| 3   | 381005135/0 | 1    | Bracket, L         | Staffa Sx          | Etrier Gauche              | Steigbügel, Linke  |         |
| 4   | 112819120/0 | 1    | Screw              | Vite               | Vis                        | Schraube           |         |
| 5   | 122680006/1 | 4    | Washer             | Rosetta            | Rondelle                   | Scheibe            |         |
| 6   | 322399804/1 | 4    | Knob               | Manopolina         | Poignée                    | Griff              |         |
| 7   | 112293200/0 | 4    | Nut                | Dado               | Ecrou                      | Mutter             |         |
| 10  | 112760605/0 | 4    | Screw              | Vite               | Vis                        | Schraube           |         |
| 11  | 125038002/1 | 1    | Bush               | Bussola            | Douille                    | Büchse             |         |
| 12  | 112155000/0 | 2    | Nut                | Dado               | Ecrou                      | Mutter             |         |
| 13  | 322192156/0 | 2    | Fair Led           | Fascetta           | Collier                    | Bowdenzughalter    |         |
| 14  | 112523040/0 | 1    | Washer             | Rosetta            | Rondelle                   | Scheibe            |         |
| 15  | 112154510/0 | 1    | Nut                | Dado               | Ecrou                      | Mutter             |         |
| 16  | 112369500/0 | 1    | Elastic Washer     | Disco Elastico     | Disque Elastique           | Federscheibe       |         |
| 17  | 381008686/0 | 2    | Outfit, Screws     | Dotazione Viteria  | Dotation Visserie          | Satz, Schrauben    |         |

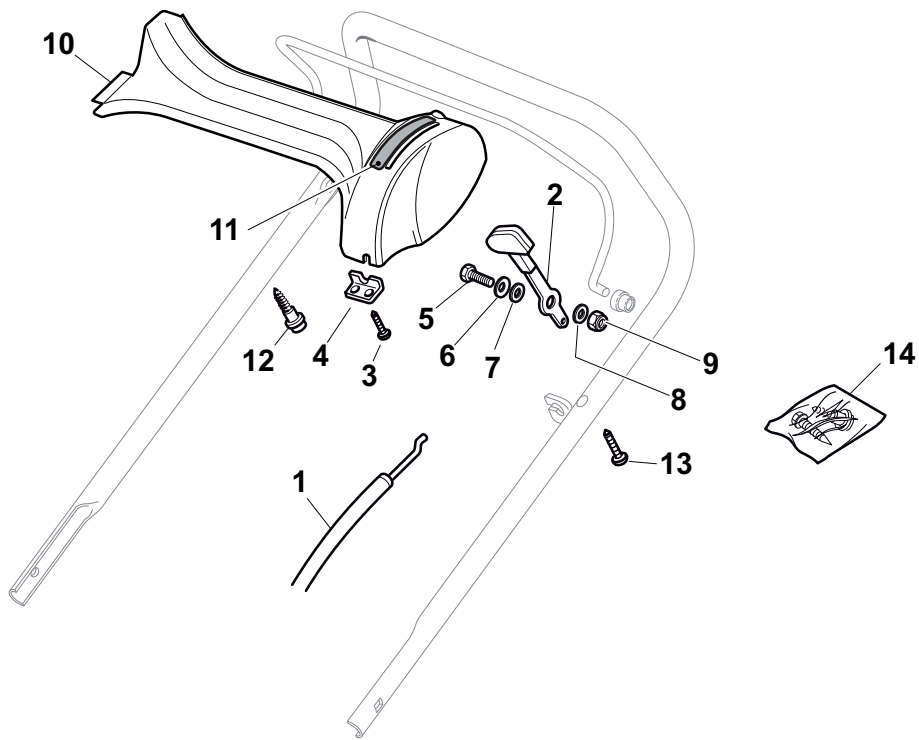


| POS | PART. NO    | Q.ty | DESCRIPTION    | DESCRIZIONE       | DESCRIPTION         | BESCHREIBUNG   | REMARKS      |
|-----|-------------|------|----------------|-------------------|---------------------|----------------|--------------|
| 1   | 181005501/1 | 1    | Throttle Cable | Cavo Acceleratore | Cable, Accelérateur | Gashebel Kabel | GGP          |
| 1   | 181005501/1 | 1    | Throttle Cable | Cavo Acceleratore | Cable, Accelérateur | Gashebel Kabel | Honda        |
| 1   | 181005502/1 | 1    | Throttle Cable | Cavo Acceleratore | Cable, Accelérateur | Gashebel Kabel | B&S          |
| 1   | 181005503/1 | 1    | Throttle Cable | Cavo Acceleratore | Cable, Accelérateur | Gashebel Kabel | Honda AC     |
| 1   | 181005504/1 | 1    | Throttle Cable | Cavo Acceleratore | Cable, Accelérateur | Gashebel Kabel | GGP 150cc    |
| 1   | 181005525/0 | 1    | Throttle Cable | Cavo Acceleratore | Cable, Accelérateur | Gashebel Kabel | B&S E Series |
| 1   | 181005537/0 | 1    | Throttle Cable | Cavo Acceleratore | Cable, Accelérateur | Gashebel Kabel | GGP 100cc    |
| 2   | 112735103/0 | 1    | Screw          | Vite              | Vis                 | Schraube       |              |
| 3   | 112523040/0 | 1    | Washer         | Rosetta           | Rondelle            | Scheibe        |              |

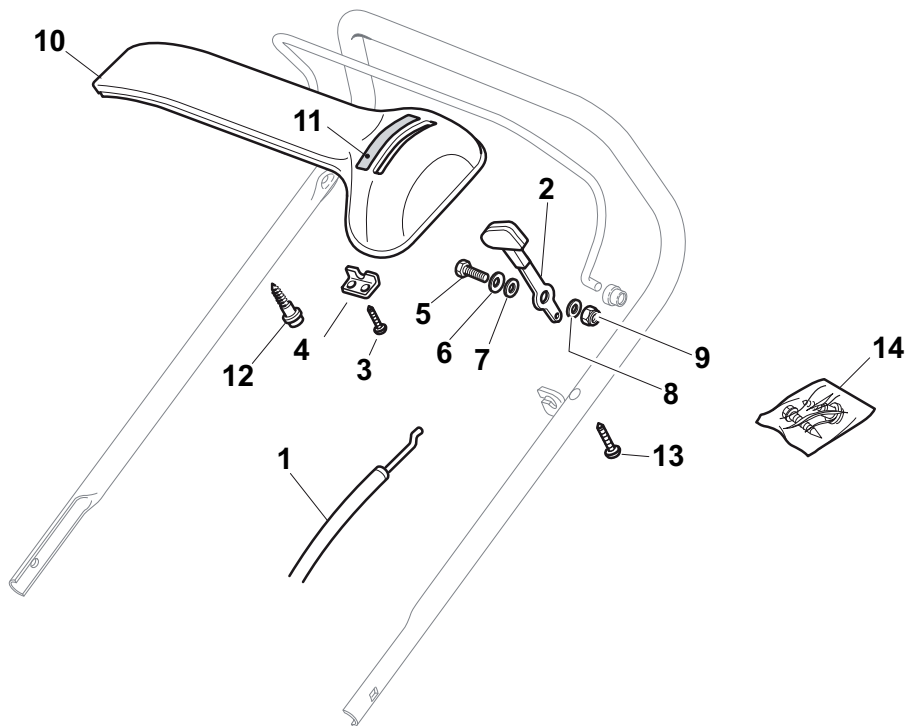




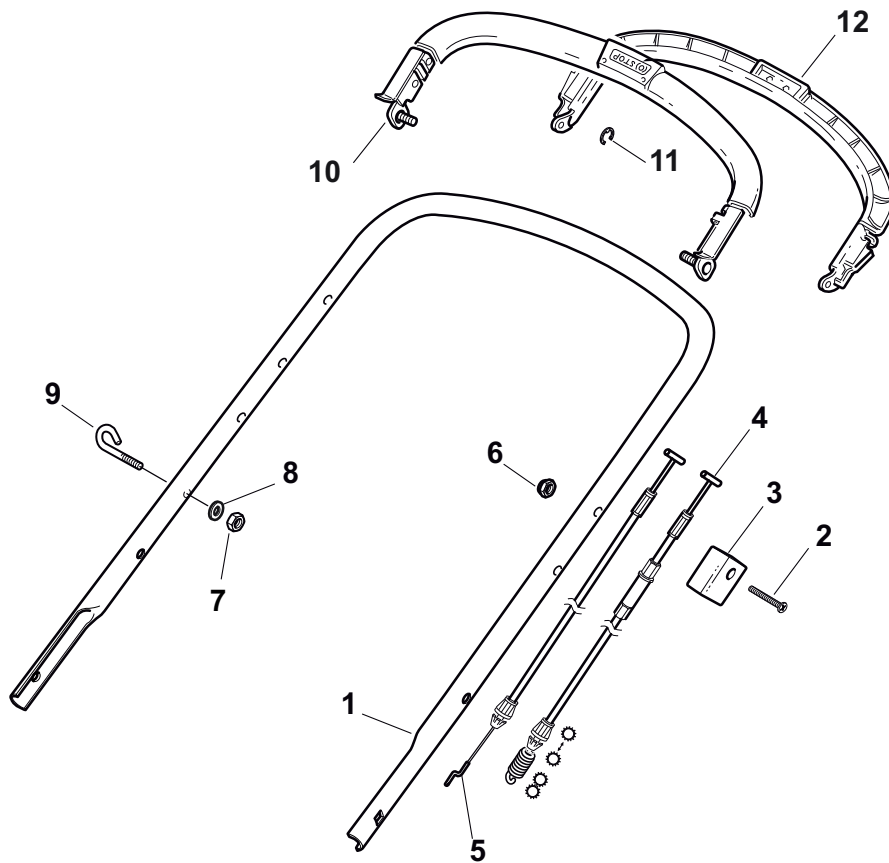
| POS | PART. NO    | Q.ty | DESCRIPTION       | DESCRIZIONE         | DESCRIPTION         | BESCHREIBUNG   | REMARKS   |
|-----|-------------|------|-------------------|---------------------|---------------------|----------------|-----------|
| 1   | 181005501/1 | 1    | Throttle Cable    | Cavo Acceleratore   | Cable, Accelérateur | Gashebel Kabel | GGP-Honda |
| 1   | 181005502/1 | 1    | Throttle Cable    | Cavo Acceleratore   | Cable, Accelérateur | Gashebel Kabel | B&S       |
| 1   | 181005503/1 | 1    | Throttle Cable    | Cavo Acceleratore   | Cable, Accelérateur | Gashebel Kabel | Honda AC  |
| 1   | 181005504/1 | 1    | Throttle Cable    | Cavo Acceleratore   | Cable, Accelérateur | Gashebel Kabel | GGP150cc  |
| 1   | 181005505/1 | 1    | Throttle Cable    | Cavo Acceleratore   | Cable, Accelérateur | Gashebel Kabel | B&S BBC   |
| 1   | 181005506/1 | 1    | Throttle Cable    | Cavo Acceleratore   | Cable, Accelérateur | Gashebel Kabel | Honda BBC |
| 1   | 181005515/0 | 1    | Throttle Cable    | Cavo Acceleratore   | Cable, Accelérateur | Gashebel Kabel | B&S 575   |
| 1   | 181005520/1 | 1    | Throttle Cable    | Cavo Acceleratore   | Cable, Accelérateur | Gashebel Kabel | DOV 750   |
| 1   | 181005523/1 | 1    | Throttle Cable    | Cavo Acceleratore   | Cable, Accelérateur | Gashebel Kabel | DOV 850   |
| 1   | 181005537/0 | 1    | Throttle Cable    | Cavo Acceleratore   | Cable, Accelérateur | Gashebel Kabel | GGP100cc  |
| 2   | 112154510/0 | 1    | Nut               | Dado                | Ecrou               | Mutter         |           |
| 3   | 112727788/0 | 1    | Screw             | Vite                | Vis                 | Schraube       |           |
| 4   | 322546055/0 | 1    | Plate             | Piastrina           | Plaquette           | Plättchen      |           |
| 4   | 322546057/0 | 1    | Plate             | Piastrina           | Plaquette           | Plättchen      |           |
| 5   | 322546054/0 | 1    | Plate             | Piastrina           | Plaquette           | Plättchen      |           |
| 5   | 322546056/0 | 1    | Plate             | Piastrina           | Plaquette           | Plättchen      |           |
| 6   | 322120190/0 | 1    | Dash Board Red    | Cruscotto Rosso     | Console Rouge       | Konsole Rote   |           |
| 6   | 322120192/0 | 1    | Dash Board Yellow | Cruscotto Giallo    | Console Jaune       | Konsole Gelbe  |           |
| 7   | 322120191/0 | 1    | Dash Board Cover  | Copertura Cruscotto | Console Couverture  | Konsole Haube  |           |



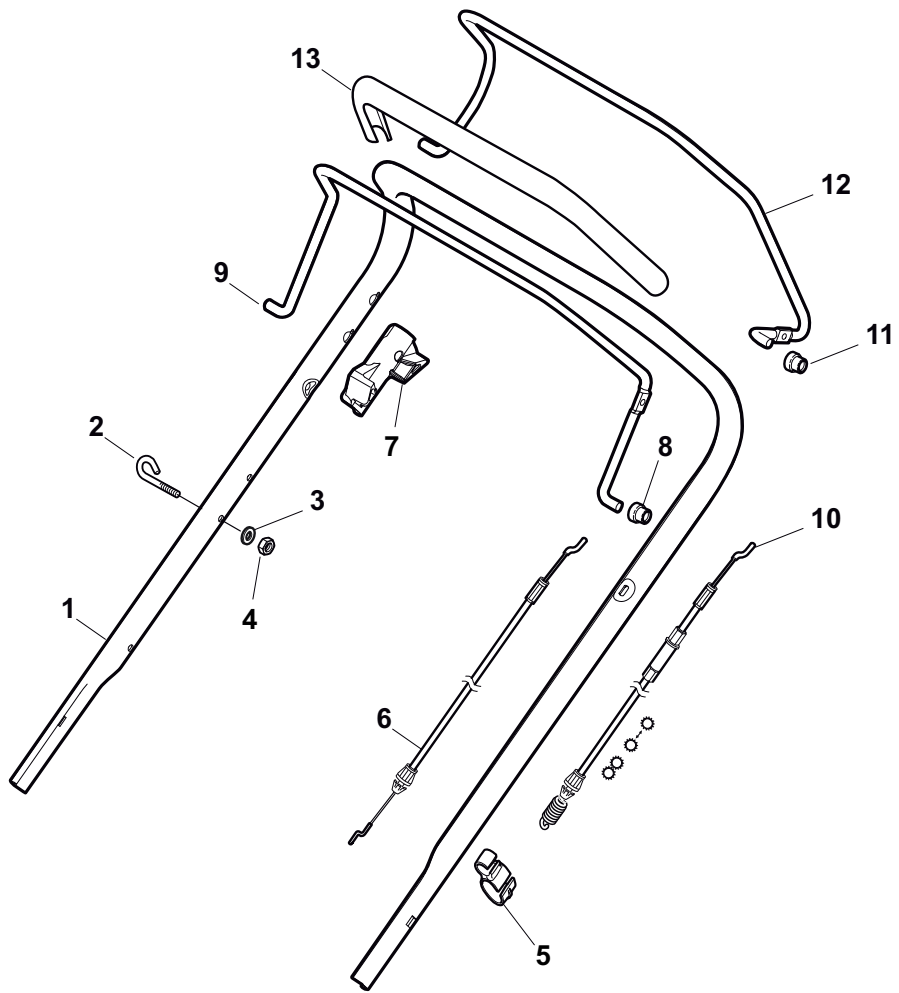
| POS | PART. NO    | Q.ty | DESCRIPTION     | DESCRIZIONE        | DESCRIPTION          | BESCHREIBUNG        | REMARKS                   |
|-----|-------------|------|-----------------|--------------------|----------------------|---------------------|---------------------------|
| 1   | 481007160/0 | 1    | Throttle Cable  | Cavo Acceleratore  | Cable, Accelérateur  | Gashebel Kabel      |                           |
| 2   | 381007221/0 | 1    | Lever, Throttle | Leva, Acceleratore | Levier, Accelérateur | Hebel, Beshleuniger | GGP 150cc -<br>B&S450-500 |
| 2   | 381007280/2 | 1    | Lever, Throttle | Leva, Acceleratore | Levier, Accelérateur | Hebel, Beshleuniger | B&S-GGP-Honda             |
| 3   | 112735105/0 | 2    | Screw           | Vite               | Vis                  | Schraube            |                           |
| 4   | 322981467/0 | 1    | Plate           | Piastrina          | Plaque               | Plättchen           |                           |
| 5   | 112791500/0 | 1    | Screw           | Vite               | Vis                  | Schraube            |                           |
| 6   | 112530060/0 | 1    | Elastic Washer  | Disco Elastico     | Disque Elastique     | Federscheibe        |                           |
| 7   | 112523040/0 | 1    | Washer          | Rosetta            | Rondelle             | Scheibe             |                           |
| 8   | 112523040/0 | 1    | Washer          | Rosetta            | Rondelle             | Scheibe             |                           |
| 9   | 112154510/0 | 1    | Nut             | Dado               | Ecrou                | Mutter              |                           |
| 10  | 322120189/0 | 1    | Dash Board Red  | Cruscotto Rosso    | Console Rouge        | Konsole Rote        |                           |
| 11  | 114356743/1 | 1    | Label           | Etichetta          | Etiquette            | Etikette            | GGP                       |
| 11  | 114356743/1 | 1    | Label           | Etichetta          | Etiquette            | Etikette            | Honda                     |
| 11  | 114356744/1 | 1    | Label           | Etichetta          | Etiquette            | Etikette            | B&S                       |
| 11  | 114356906/1 | 1    | Label           | Etichetta          | Etiquette            | Etikette            | B&S 700                   |
| 11  | 114357646/1 | 1    | Label           | Etichetta          | Etiquette            | Etikette            | Honda Ac                  |
| 12  | 122943006/0 | 1    | Screw           | Vite               | Vis                  | Schraube            |                           |
| 13  | 112728460/0 | 1    | Screw           | Vite               | Vis                  | Schraube            |                           |
| 14  | 381008609/0 | 1    | Outfit, Screws  | Dotazione Viteria  | Dotation Visserie    | Satz, Schrauben     |                           |



| POS | PART. NO    | Q.ty | DESCRIPTION       | DESCRIZIONE        | DESCRIPTION          | BESCHREIBUNG        | REMARKS                   |
|-----|-------------|------|-------------------|--------------------|----------------------|---------------------|---------------------------|
| 1   | 481007160/0 | 1    | Throttle Cable    | Cavo Acceleratore  | Cable, Accelérateur  | Gashebel Kabel      |                           |
| 2   | 381007221/0 | 1    | Lever, Throttle   | Leva, Acceleratore | Levier, Accelérateur | Hebel, Beshleuniger | GGP 150cc -<br>B&S450-500 |
| 2   | 381007280/2 | 1    | Lever, Throttle   | Leva, Acceleratore | Levier, Accelérateur | Hebel, Beshleuniger | B&S-GGP-Honda             |
| 3   | 112735105/0 | 2    | Screw             | Vite               | Vis                  | Schraube            |                           |
| 4   | 322981467/0 | 1    | Plate             | Piastrina          | Plaquette            | Plättchen           |                           |
| 5   | 112791500/0 | 1    | Screw             | Vite               | Vis                  | Schraube            |                           |
| 6   | 112530060/0 | 1    | Elastic Washer    | Disco Elastico     | Disque Elastique     | Federscheibe        |                           |
| 7   | 112523040/0 | 1    | Washer            | Rosetta            | Rondelle             | Scheibe             |                           |
| 8   | 112523040/0 | 1    | Washer            | Rosetta            | Rondelle             | Scheibe             |                           |
| 9   | 112154510/0 | 1    | Nut               | Dado               | Ecrou                | Mutter              |                           |
| 10  | 422120152/0 | 1    | Dash Board Yellow | Cruscotto Giallo   | Console Jaune        | Konsole Gelbe       |                           |
| 10  | 422120154/0 | 1    | Dash Board Red    | Cruscotto Rosso    | Console Rouge        | Konsole Rote        |                           |
| 10  | 422120158/0 | 1    | Dash Board Black  | Cruscotto Nero     | Console Noire        | Konsole Schwarze    |                           |
| 11  | 114356743/1 | 1    | Label             | Etichetta          | Etiquette            | Etikette            | GGP                       |
| 11  | 114356743/1 | 1    | Label             | Etichetta          | Etiquette            | Etikette            | Honda                     |
| 11  | 114356744/1 | 1    | Label             | Etichetta          | Etiquette            | Etikette            | B&S                       |
| 11  | 114356906/1 | 1    | Label             | Etichetta          | Etiquette            | Etikette            | B&S 700                   |
| 11  | 114357646/1 | 1    | Label             | Etichetta          | Etiquette            | Etikette            | Honda Ac                  |
| 12  | 122943006/0 | 1    | Screw             | Vite               | Vis                  | Schraube            |                           |
| 13  | 112728460/0 | 1    | Screw             | Vite               | Vis                  | Schraube            |                           |
| 14  | 381008609/0 | 1    | Outfit, Screws    | Dotazione Viteria  | Dotation Visserie    | Satz, Schrauben     |                           |

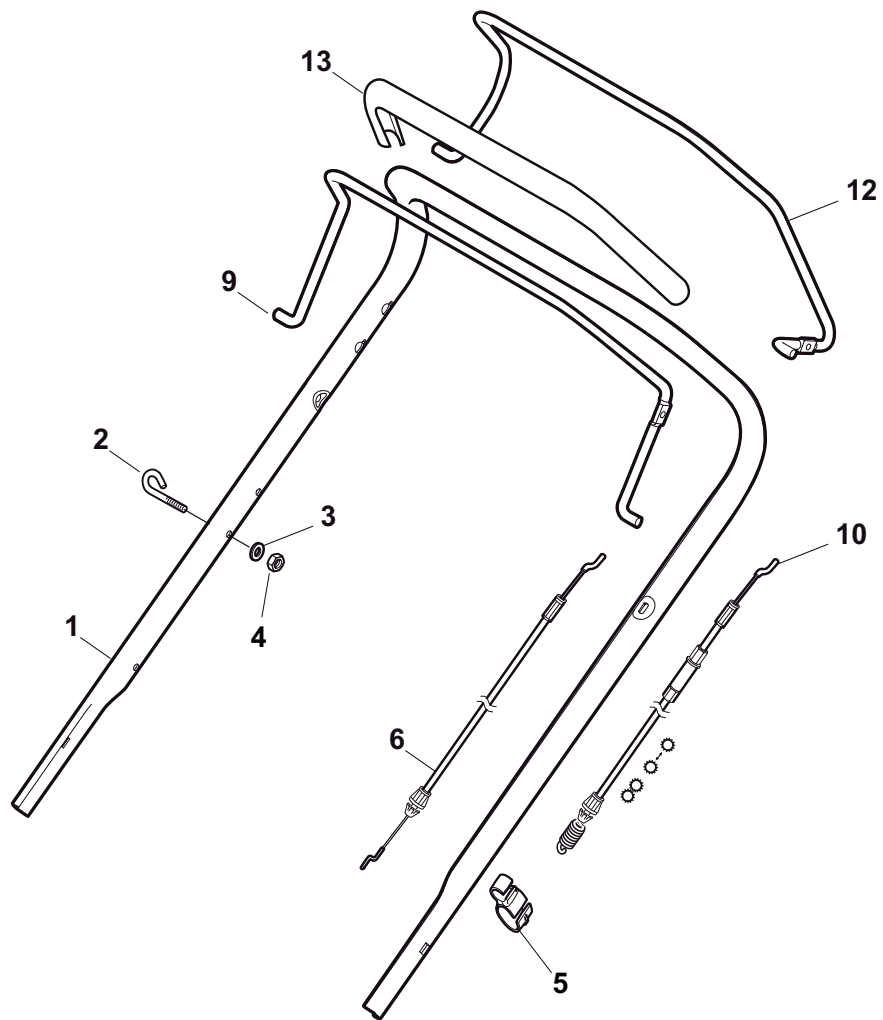


| POS | PART. NO    | Q.ty | DESCRIPTION                | DESCRIZIONE           | DESCRIPTION                  | BESCHREIBUNG       | REMARKS       |
|-----|-------------|------|----------------------------|-----------------------|------------------------------|--------------------|---------------|
| 1   | 381006867/0 | 1    | Handle, Upper Part         | Manico, Parte Sup     | Mancheron, Partie Superieure | Holm, Oberteil     | Grey          |
| 1   | 381006979/2 | 1    | Handle, Upper Part         | Manico, Parte Sup     | Mancheron, Partie Superieure | Holm, Oberteil     | Black         |
| 2   | 112727787/0 | 1    | Screw                      | Vite                  | Vis                          | Schraube           |               |
| 3   | 322551640/0 | 1    | Plate                      | Piastrina             | Plaquette                    | Plättchen          |               |
| 4   | 381030055/0 | 1    | Cable, Rear Drive          | Cavo Comando Trazione | Câble, Comm. Traction        | Kabel, Antrieb     |               |
| 5   | 181030056/0 | 1    | Cable, Thread Engine Brake | Cavo Freno Motore     | Cable Frein Moteur           | Kabel, Motorbremse | GGP-B&S-Honda |
| 5   | 181030057/0 | 1    | Cable, Thread Engine Brake | Cavo Freno Motore     | Cable Frein Moteur           | Kabel, Motorbremse | GGP 150cc     |
| 6   | 112154510/0 | 1    | Nut                        | Dado                  | Ecrou                        | Mutter             |               |
| 7   | 112154510/0 | 1    | Nut                        | Dado                  | Ecrou                        | Mutter             |               |
| 8   | 112521330/0 | 1    | Washer                     | Rosetta               | Rondelle                     | Scheibe            |               |
| 9   | 122430313/0 | 1    | Guide Spring               | Molla Guida           | Ressort De Guide             | Feder Führer       |               |
| 10  | 381003330/0 | 1    | Lever, Engine Brake        | Leva Freno Motore     | Levier Frein Moteur          | Hebel, Motorbremse |               |
| 11  | 381003297/1 | 1    | Driving Lever              | Leva Trazione         | Levier Traction              | Antriebhebel       |               |
| 12  | 112000930/0 | 1    | Snap Ring                  | Anello Elastico       | Anneau Ressort               | Sprengring         |               |

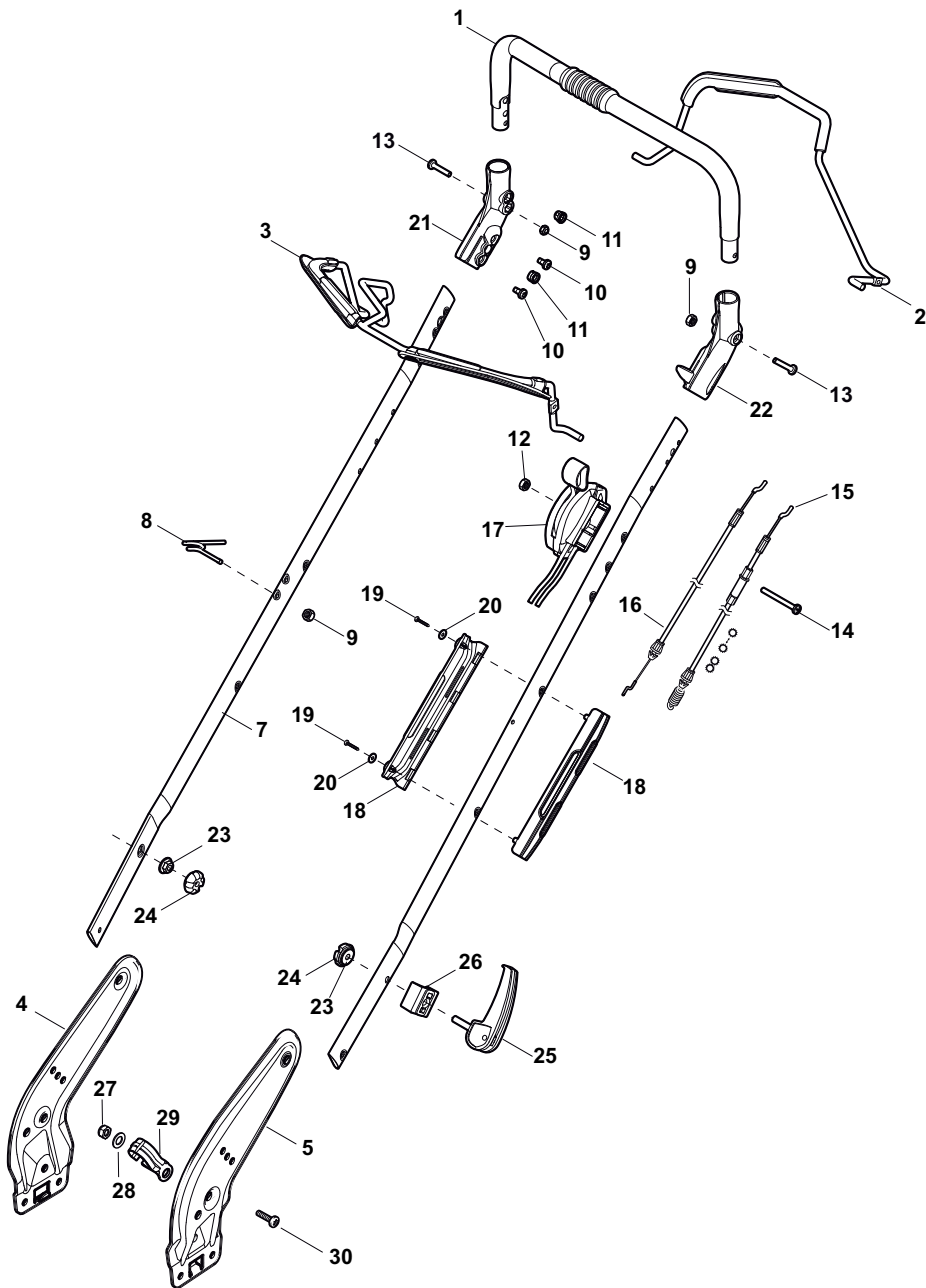




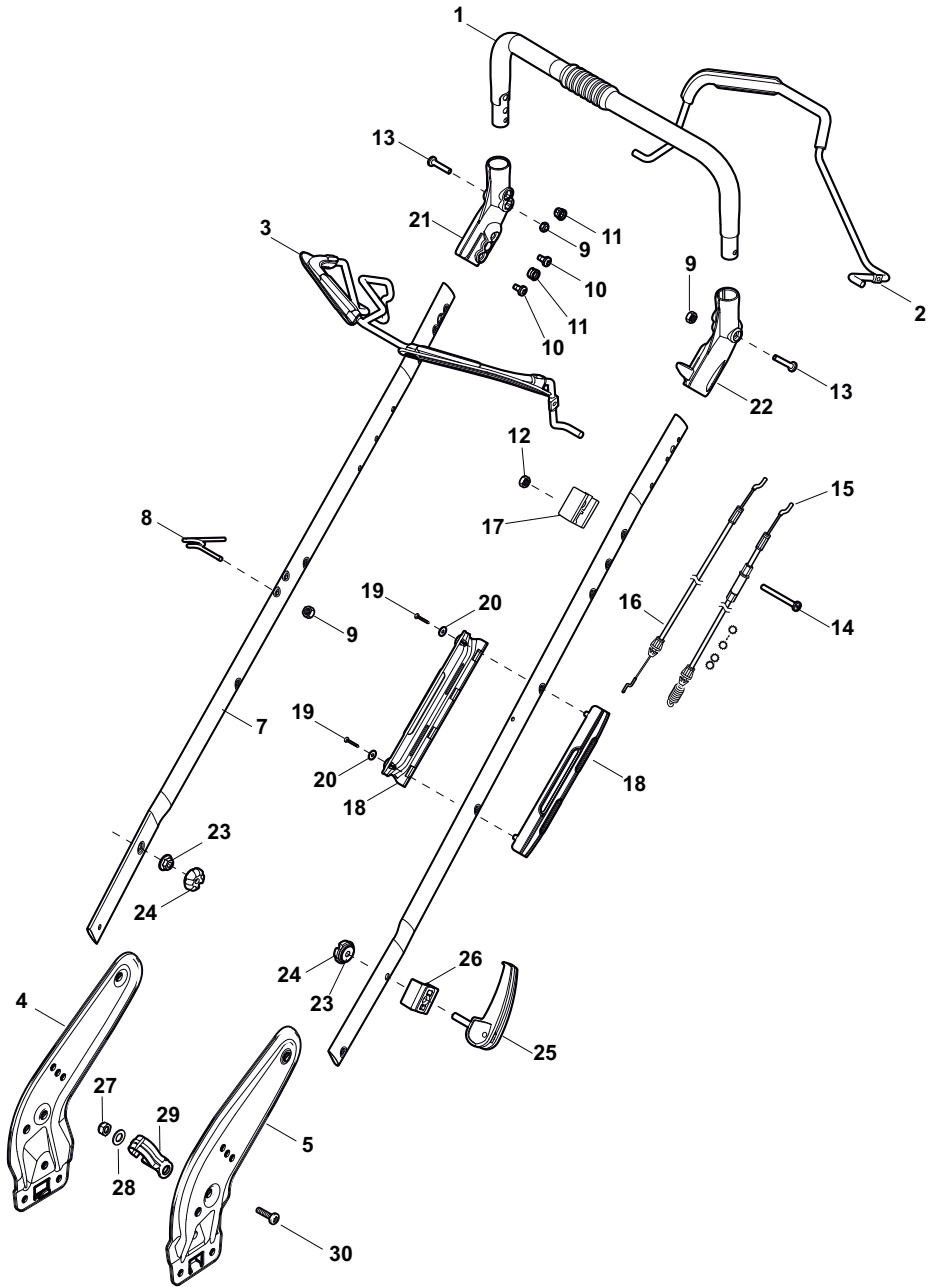
| POS | PART. NO    | Q.ty | DESCRIPTION                | DESCRIZIONE             | DESCRIPTION                  | BESCHREIBUNG       | REMARKS               |
|-----|-------------|------|----------------------------|-------------------------|------------------------------|--------------------|-----------------------|
| 1   | 381006838/0 | 1    | Handle, Upper Part         | Manico, Parte Sup       | Mancheron, Partie Superieure | Holm, Oberteil     | Black Delta Dashboard |
| 1   | 381007522/0 | 1    | Handle, Upper Part         | Manico, Parte Sup       | Mancheron, Partie Superieure | Holm, Oberteil     | Black TD-CA Dashboard |
| 1   | 381007525/0 | 1    | Handle, Upper Part         | Manico, Parte Sup       | Mancheron, Partie Superieure | Holm, Oberteil     | Grey TD-CA Dashboard  |
| 2   | 122430313/0 | 1    | Guide Spring               | Molla Guida             | Ressort De Guide             | Feder Führer       |                       |
| 3   | 112521330/0 | 1    | Washer                     | Rosetta                 | Rondelle                     | Scheibe            |                       |
| 4   | 112154510/0 | 1    | Nut                        | Dado                    | Ecrou                        | Mutter             |                       |
| 5   | 118390020/0 | 1    | Fairlead                   | Fermacavo               | Fixation Cable               | Kabelbefestigung   |                       |
| 6   | 181030053/0 | 1    | Cable, Thread Engine Brake | Cavo Freno Motore       | Cable Frein Moteur           | Kabel, Motorbremse | B&S - GGP             |
| 6   | 181030054/0 | 1    | Cable, Thread Engine Brake | Cavo Freno Motore       | Cable Frein Moteur           | Kabel, Motorbremse | GGP 150cc             |
| 6   | 181030056/0 | 1    | Cable, Thread Engine Brake | Cavo Freno Motore       | Cable Frein Moteur           | Kabel, Motorbremse | B&S E Series          |
| 6   | 181030070/0 | 1    | Cable, Thread Engine Brake | Cavo Freno Motore       | Cable Frein Moteur           | Kabel, Motorbremse | Honda                 |
| 7   | 322545204/0 | 1    | Fulcrum Pin                | Perno Fulcro            | Pivot                        | Gelenkpunkt        |                       |
| 8   | 122041966/0 | 1    | Bush                       | Bussola                 | Douille                      | Büchse             |                       |
| 9   | 181003300/1 | 1    | Lever, Engine Brake        | Leva Freno Motore       | Levier Frein Moteur          | Hebel, Motorbremse |                       |
| 10  | 381030051/0 | 1    | Cable, Rear Drive          | Cavo Comando Trazione   | Câble, Comm. Traction        | Kabel, Antrieb     |                       |
| 11  | 122041966/0 | 1    | Bush                       | Bussola                 | Douille                      | Büchse             |                       |
| 12  | 181003301/0 | 1    | Lever, Driving             | Leva Trazione           | Levier Traction              | Antriebhebel       |                       |
| 13  | 122291050/0 | 1    | Handgrip Black             | Impugnatura Manico Nera | Poignée Noir                 | Handgriff Schwarz  |                       |



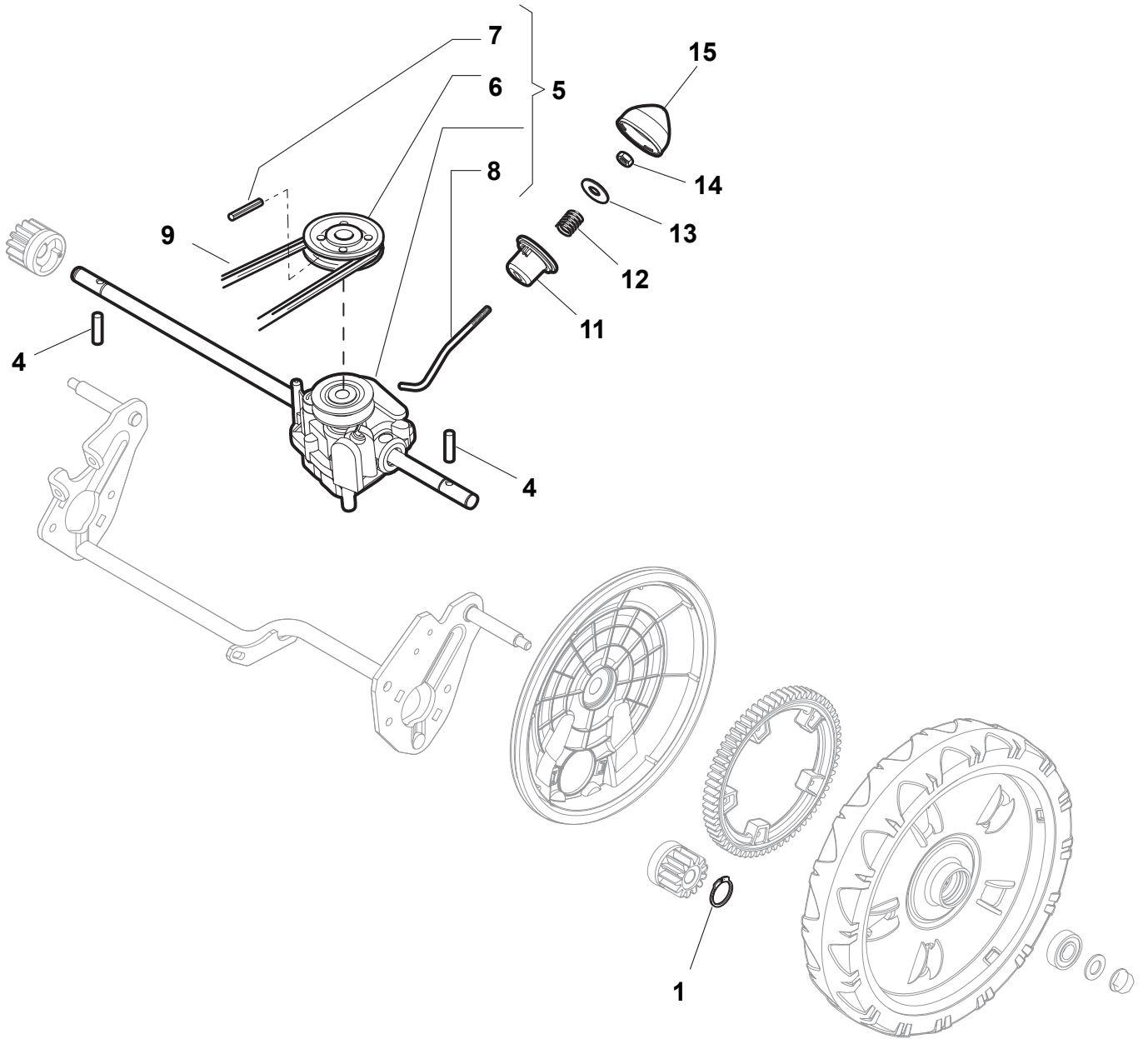
| POS | PART. NO    | Q.ty | DESCRIPTION                | DESCRIZIONE             | DESCRIPTION                  | BESCHREIBUNG               | REMARKS      |
|-----|-------------|------|----------------------------|-------------------------|------------------------------|----------------------------|--------------|
| 1   | 381007520/0 | 1    | Handle, Upper Part         | Manico, Parte Sup       | Mancheron, Partie Superieure | Holm, Oberteil             |              |
| 2   | 122430313/0 | 1    | Guide Spring               | Molla Guida             | Ressort De Guide             | Feder Führer               |              |
| 3   | 112521330/0 | 1    | Washer                     | Rosetta                 | Rondelle                     | Scheibe                    |              |
| 4   | 112154510/0 | 1    | Nut                        | Dado                    | Ecrou                        | Mutter                     |              |
| 5   | 118390020/0 | 1    | Fairlead                   | Fermacavo               | Fixation Cable               | Kabelbefestigung           |              |
| 6   | 181030053/0 | 1    | Cable, Thread Engine Brake | Cavo Freno Motore       | Cable Frein Moteur           | Kabel, Motorbremse         | B&S - GGP    |
| 6   | 181030054/0 | 1    | Cable, Thread Engine Brake | Cavo Freno Motore       | Cable Frein Moteur           | Kabel, Motorbremse         | GGP 150cc    |
| 6   | 181030056/0 | 1    | Cable, Thread Engine Brake | Cavo Freno Motore       | Cable Frein Moteur           | Kabel, Motorbremse         | B&S E Series |
| 6   | 181030070/0 | 1    | Cable, Thread Engine Brake | Cavo Freno Motore       | Cable Frein Moteur           | Kabel, Motorbremse         | Honda        |
| 9   | 181003363/1 | 1    | Lever, Engine Brake Black  | Leva Freno Motore Nero  | Levier Frein Moteur Noir     | Hebel, Motorbremse Schwarz |              |
| 10  | 381030051/0 | 1    | Cable, Rear Drive          | Cavo Comando Trazione   | Câble, Comm. Traction        | Kabel, Antrieb             |              |
| 12  | 181003364/0 | 1    | Lever, Driving Black       | Leva Trazione Nero      | Levier Traction Noir         | Hebel, Antrieb Schwarz     |              |
| 13  | 122291050/0 | 1    | Handgrip Black             | Impugnatura Manico Nera | Poignée Noir                 | Handgriff Schwarz          |              |



| POS | PART. NO    | Q.ty | DESCRIPTION                | DESCRIZIONE           | DESCRIPTION              | BESCHREIBUNG       | REMARKS     |
|-----|-------------|------|----------------------------|-----------------------|--------------------------|--------------------|-------------|
| 1   | 381006670/2 | 1    | Handgrip                   | Impugnatura           | Poignée                  | Handgriff          |             |
| 2   | 381003349/0 | 1    | Lever, Driving             | Leva Trazione         | Levier Traction          | Antriebhebel       |             |
| 3   | 381003344/0 | 1    | Lever, Engine Brake        | Leva Freno Motore     | Levier Frein Moteur      | Hebel, Motorbremse |             |
| 4   | 381005149/0 | 1    | Bracket, R                 | Staffa Dx             | Etrier Droit             | Steigbügel, Rechte |             |
| 5   | 381005151/0 | 1    | Bracket, L                 | Staffa Sx             | Etrier Gauche            | Steigbügel, Linke  |             |
| 7   | 381006773/0 | 2    | Handle Black               | Manico Nero           | Mancheron Noir           | Holm Schwarz       | Black       |
| 7   | 381006774/0 | 2    | Handle Grey                | Manico Grigio         | Mancheron Gris           | Holm Grau          | Grey        |
| 8   | 122430309/0 | 1    | Spring                     | Molla                 | Ressort                  | Feder              |             |
| 9   | 112154330/0 | 2    | Nut                        | Dado                  | Ecrou                    | Mutter             |             |
| 10  | 112735662/1 | 4    | Screw                      | Vite                  | Vis                      | Schraube           |             |
| 11  | 322041967/0 | 4    | Bush                       | Bussola               | Douille                  | Büchse             |             |
| 12  | 112154510/0 | 3    | Nut                        | Dado                  | Ecrou                    | Mutter             |             |
| 13  | 112728721/0 | 2    | Screw                      | Vite                  | Vis                      | Schraube           |             |
| 14  | 112727786/0 | 1    | Screw                      | Vite                  | Vis                      | Schraube           |             |
| 15  | 381030075/0 | 1    | Cable, Rear Drive          | Cavo Comando Trazione | Câble, Commande Traction | Kabel, Antrieb     |             |
| 16  | 181030074/0 | 1    | Cable, Thread Engine Brake | Cavo Freno Motore     | Cable Frein Moteur       | Kabel, Motorbremse |             |
| 17  | 181005512/0 | 1    | Throttle Cable             | Cavo Acceleratore     | Cable, Accelérateur      | Gashebel Kabel     | Honda - GGP |
| 17  | 181005513/0 | 1    | Throttle Cable             | Cavo Acceleratore     | Cable, Accelérateur      | Gashebel Kabel     | Honda AC    |
| 17  | 181005520/1 | 1    | Throttle Cable             | Cavo Acceleratore     | Cable, Accelérateur      | Gashebel Kabel     | B&S         |
| 17  | 181005525/0 | 1    | Throttle Cable             | Cavo Acceleratore     | Cable, Accelérateur      | Gashebel Kabel     | B&S 575     |
| 17  | 181005523/1 | 1    | Throttle Cable             | Cavo Acceleratore     | Cable, Accelérateur      | Gashebel Kabel     | B&S 850     |
| 18  | 322806644/0 | 1    | Protection                 | Cappuccio             | Capuchon                 | Stecker            |             |
| 19  | 112727812/0 | 2    | Screw                      | Vite                  | Vis                      | Schraube           |             |
| 20  | 112523000/1 | 2    | Washer                     | Rosetta               | Rondelle                 | Scheibe            |             |
| 21  | 322488301/0 | 1    | Support , R                | Supporto, Parte Dx    | Support, D               | Halter, Rechte     |             |
| 22  | 322488303/0 | 1    | Support, L                 | Supporto, Parte Sx    | Support, G               | Halter, Linke      |             |
| 23  | 112154220/0 | 2    | Nut                        | Dado                  | Ecrou                    | Mutter             |             |
| 24  | 322399835/0 | 2    | Knob                       | Manopolina            | Poignée                  | Griff              |             |
| 25  | 381003253/0 | 2    | Handle                     | Maniglia              | Poignée                  | Griff              |             |
| 26  | 322680017/0 | 2    | Support                    | Supporto              | Support                  | Halter             |             |
| 27  | 112155000/0 | 1    | Nut                        | Dado                  | Ecrou                    | Mutter             |             |
| 28  | 125038002/1 | 1    | Bush                       | Bussola               | Douille                  | Büchse             |             |
| 29  | 322192156/0 | 1    | Fair Led                   | Fascetta              | Collier                  | Bowdenzughalter    |             |
| 30  | 112760605/0 | 1    | Screw                      | Vite                  | Vis                      | Schraube           |             |

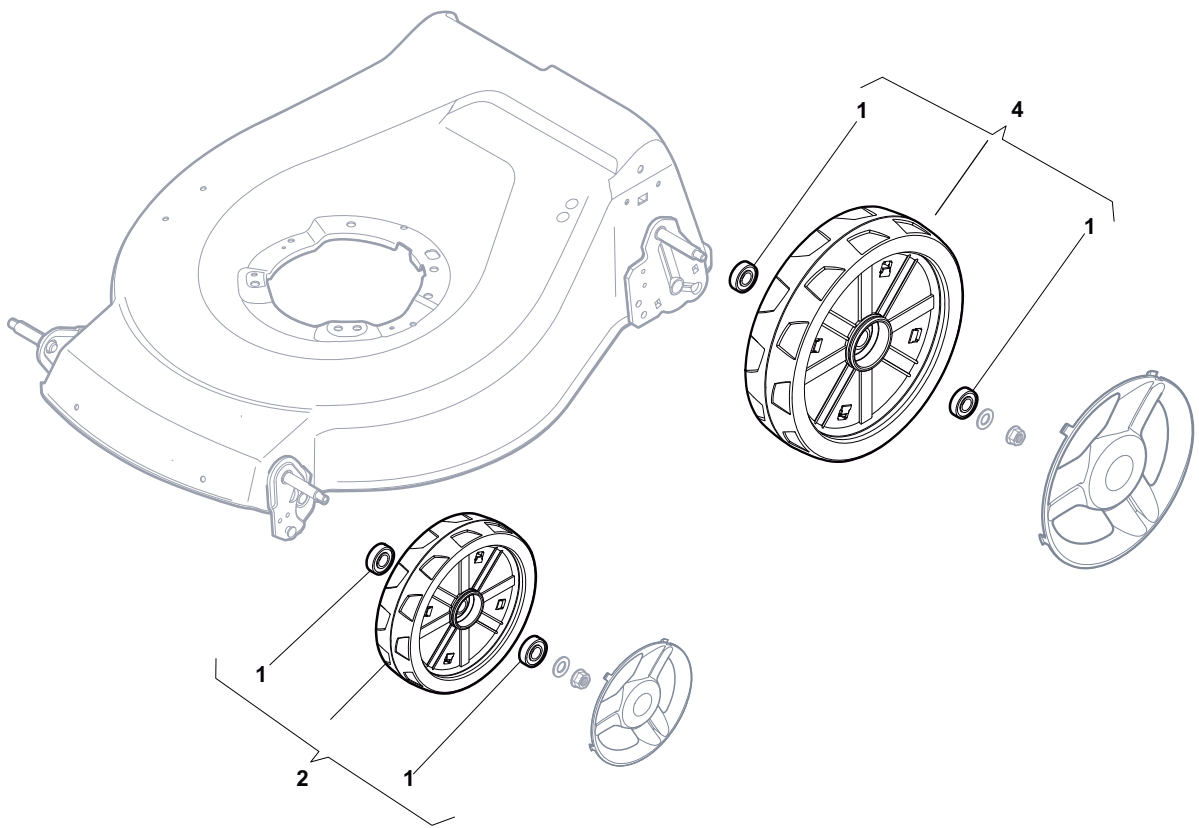


| POS | PART. NO    | Q.ty | DESCRIPTION                | DESCRIZIONE           | DESCRIPTION              | BESCHREIBUNG       | REMARKS |
|-----|-------------|------|----------------------------|-----------------------|--------------------------|--------------------|---------|
| 1   | 381006670/2 | 1    | Handgrip                   | Impugnatura           | Poignée                  | Handgriff          |         |
| 2   | 381003349/0 | 1    | Lever, Driving             | Leva Trazione         | Levier Traction          | Antriebhebel       |         |
| 3   | 381003344/0 | 1    | Lever, Engine Brake        | Leva Freno Motore     | Levier Frein Moteur      | Hebel, Motorbremse |         |
| 4   | 381005149/0 | 1    | Bracket, R                 | Staffa Dx             | Etrier Droit             | Steigbügel, Rechte |         |
| 5   | 381005151/0 | 1    | Bracket, L                 | Staffa Sx             | Etrier Gauche            | Steigbügel, Linke  |         |
| 7   | 381006773/0 | 2    | Handle Black               | Manico Nero           | Mancheron Noir           | Holm Schwarz       | Black   |
| 7   | 381006774/0 | 2    | Handle Grey                | Manico Grigio         | Mancheron Gris           | Holm Grau          | Grey    |
| 8   | 122430309/0 | 1    | Spring                     | Molla                 | Ressort                  | Feder              |         |
| 9   | 112154330/0 | 2    | Nut                        | Dado                  | Ecrou                    | Mutter             |         |
| 10  | 112735662/1 | 4    | Screw                      | Vite                  | Vis                      | Schraube           |         |
| 11  | 322041967/0 | 4    | Bush                       | Bussola               | Douille                  | Büchse             |         |
| 12  | 112154510/0 | 3    | Nut                        | Dado                  | Ecrou                    | Mutter             |         |
| 13  | 112728721/0 | 2    | Screw                      | Vite                  | Vis                      | Schraube           |         |
| 14  | 112727784/0 | 1    | Screw                      | Vite                  | Vis                      | Schraube           |         |
| 14  | 112727786/0 | 1    | Screw                      | Vite                  | Vis                      | Schraube           |         |
| 15  | 381030075/0 | 1    | Cable, Rear Drive          | Cavo Comando Trazione | Câble, Commande Traction | Kabel, Antrieb     |         |
| 16  | 181030074/0 | 1    | Cable, Thread Engine Brake | Cavo Freno Motore     | Cable Frein Moteur       | Kabel, Motorbremse |         |
| 17  | 322551639/0 | 1    | Plate                      | Piastrina             | Plaquette                | Plättchen          |         |
| 18  | 322806644/0 | 1    | Protection                 | Cappuccio             | Capuchon                 | Stecker            |         |
| 19  | 112727812/0 | 2    | Screw                      | Vite                  | Vis                      | Schraube           |         |
| 20  | 112523000/1 | 2    | Washer                     | Rosetta               | Rondelle                 | Scheibe            |         |
| 21  | 322488301/0 | 1    | Support , R                | Supporto, Parte Dx    | Support, D               | Halter, Rechte     |         |
| 22  | 322488303/0 | 1    | Support, L                 | Supporto, Parte Sx    | Support, G               | Halter, Linke      |         |
| 23  | 112154220/0 | 2    | Nut                        | Dado                  | Ecrou                    | Mutter             |         |
| 24  | 322399835/0 | 2    | Knob                       | Manopolina            | Poignée                  | Griff              |         |
| 25  | 381003253/0 | 2    | Handle                     | Maniglia              | Poignée                  | Griff              |         |
| 26  | 322680017/0 | 2    | Support                    | Supporto              | Support                  | Halter             |         |
| 27  | 112155000/0 | 1    | Nut                        | Dado                  | Ecrou                    | Mutter             |         |
| 28  | 125038002/1 | 1    | Bush                       | Bussola               | Douille                  | Büchse             |         |
| 29  | 322192156/0 | 1    | Fair Led                   | Fascetta              | Collier                  | Bowdenzughalter    |         |
| 30  | 112760605/0 | 1    | Screw                      | Vite                  | Vis                      | Schraube           |         |

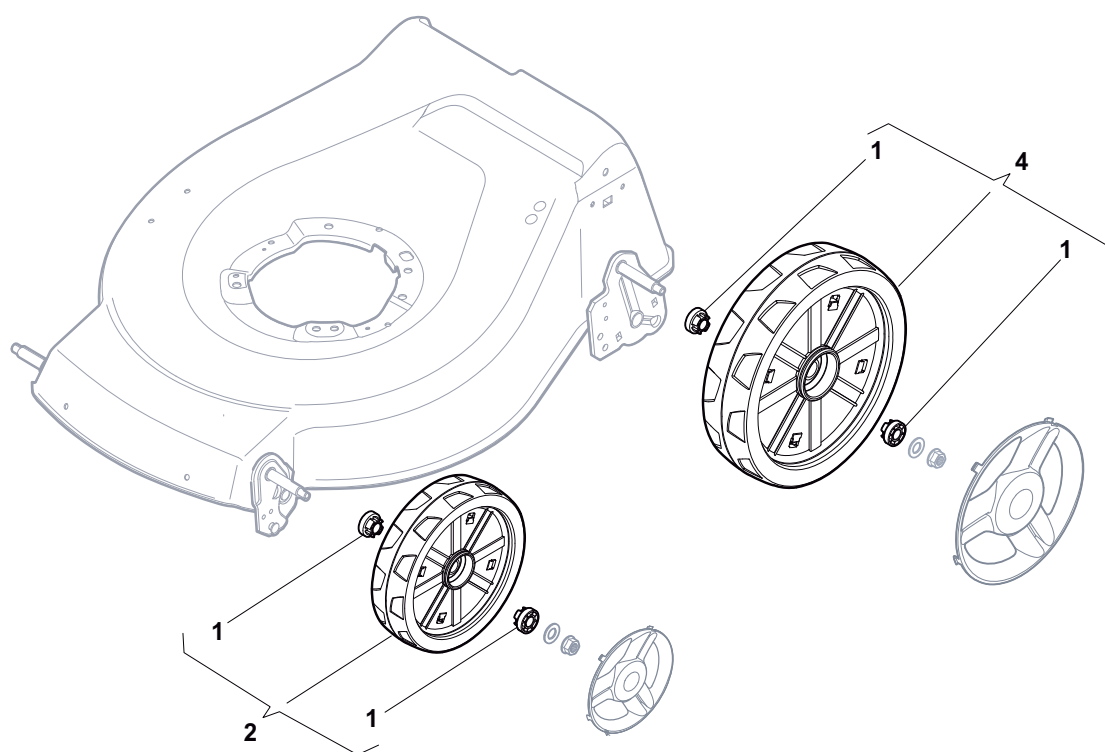




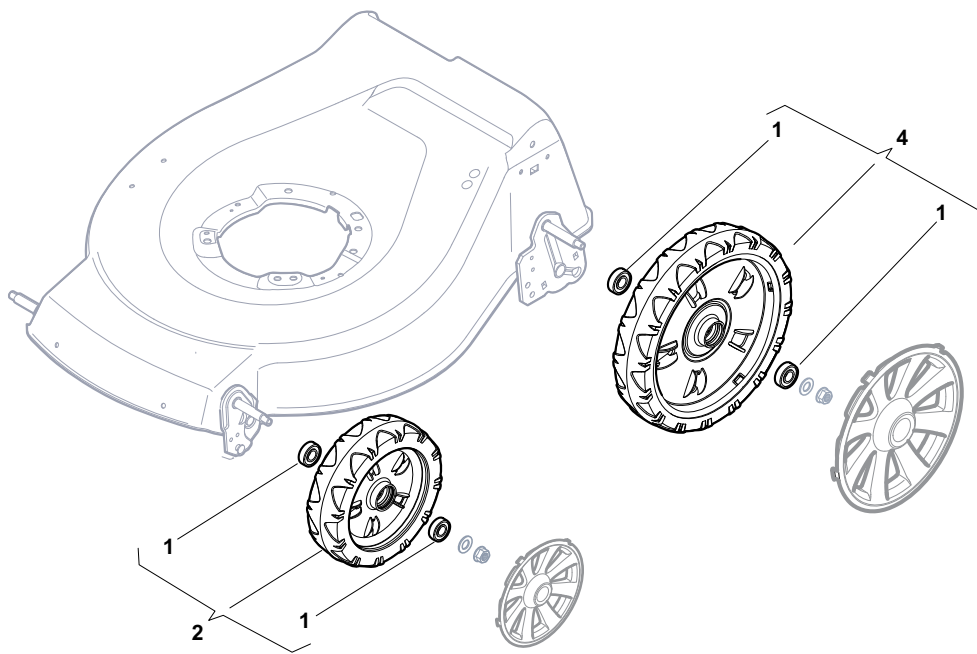
| POS | PART. NO    | Q.ty | DESCRIPTION    | DESCRIZIONE      | DESCRIPTION     | BESCHREIBUNG      | REMARKS |
|-----|-------------|------|----------------|------------------|-----------------|-------------------|---------|
| 1   | 112608600/0 | 2    | Seeger         | Seeger           | Seeger          | Seeger            |         |
| 2   | 112728697/0 | 4    | Screw          | Vite             | Vis             | Schraube          |         |
| 3   | 322042063/0 | 2    | Bush           | Bussola          | Douille         | Büchse            |         |
| 4   | 122753000/0 | 2    | Pin            | Perno            | Pivot           | Bolzen            |         |
| 5   | 181003092/0 | 1    | Gear Box       | Gruppo Trazione  | Groupe Traction | Antrieb           |         |
| 6   | 122601909/0 | 1    | Pulley         | Puleggia         | Poulie          | Riemenscheibe     |         |
| 7   | 112645700/0 | 1    | Pin            | Perno            | Pivot           | Bolzen            |         |
| 8   | 122033283/0 | 1    | Adjustment Rod | Asta Regolazione | Tige Reglage    | Verstellungstange |         |
| 9   | 135063902/0 | 1    | Belt           | Cinghia          | Courroire       | Riemen            |         |
| 10  | 119216035/0 | 2    | Bearing        | Cuscinetto       | Coussinet       | Lager             |         |
| 11  | 122041957/1 | 1    | Bush           | Bussola          | Douille         | Büchse            |         |
| 12  | 122450063/0 | 1    | Spring         | Molla            | Ressort         | Feder             |         |
| 13  | 322680009/0 | 1    | Washer         | Rosetta          | Rondelle        | Scheibe           |         |
| 14  | 112154510/0 | 1    | Nut            | Dado             | Ecrou           | Mutter            |         |
| 15  | 122110230/0 | 1    | Cap            | Puntale          | Bouchon         | Gummistopfen      |         |



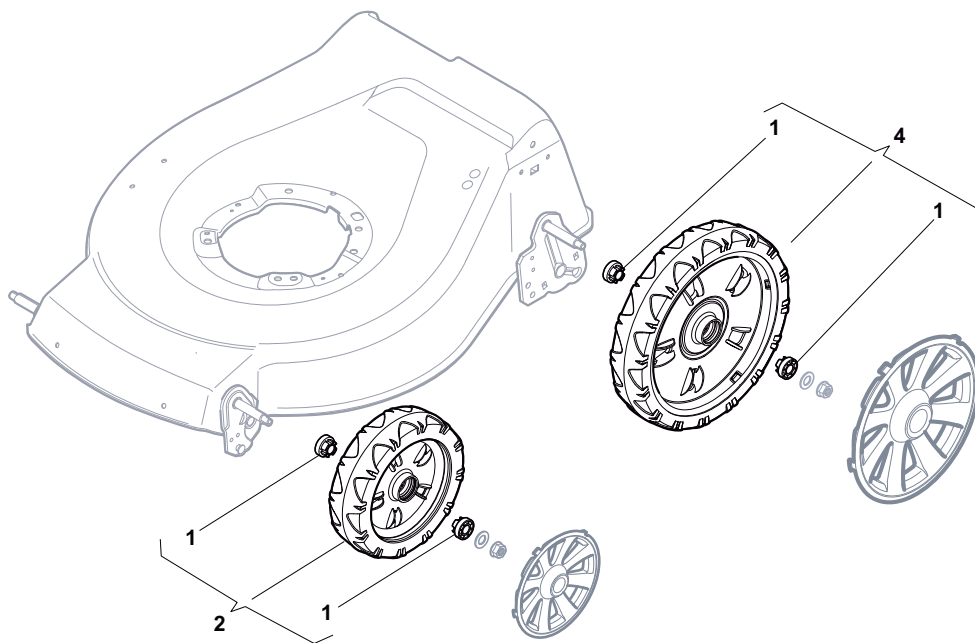
| POS | PART. NO    | Q.ty | DESCRIPTION | DESCRIZIONE | DESCRIPTION | BESCHREIBUNG | REMARKS |
|-----|-------------|------|-------------|-------------|-------------|--------------|---------|
| 1   | 119216035/0 | 4    | Bearing     | Cuscinetto  | Coussinet   | Lager        |         |
| 2   | 381007483/0 | 2    | Wheel Ø 200 | Ruota Ø 200 | Roue Ø 200  | Rad Ø 200    |         |
| 4   | 381007478/0 | 2    | Wheel Ø 280 | Ruota Ø 280 | Roue Ø 280  | Rad Ø 280    |         |



| POS | PART. NO    | Q.ty | DESCRIPTION | DESCRIZIONE | DESCRIPTION | BESCHREIBUNG | REMARKS |
|-----|-------------|------|-------------|-------------|-------------|--------------|---------|
| 1   | 322042063/0 | 4    | Bush        | Bussola     | Douille     | Buchse       |         |
| 2   | 381007481/0 | 2    | Wheel Ø 200 | Ruota Ø 200 | Roue Ø 200  | Rad Ø 200    |         |
| 4   | 381007485/0 | 2    | Wheel Ø 280 | Ruota Ø 280 | Roue Ø 280  | Rad Ø 280    |         |

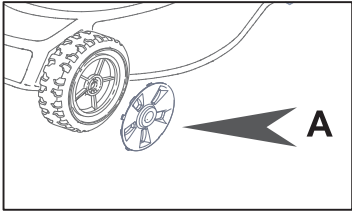


| POS | PART. NO    | Q.ty | DESCRIPTION | DESCRIZIONE | DESCRIPTION | BESCHREIBUNG | REMARKS |
|-----|-------------|------|-------------|-------------|-------------|--------------|---------|
| 1   | 119216035/0 | 4    | Bearing     | Cuscinetto  | Coussinet   | Lager        |         |
| 2   | 381007416/1 | 2    | Wheel Ø 200 | Ruota Ø 200 | Roue Ø 200  | Rad Ø 200    |         |
| 4   | 381007417/1 | 2    | Wheel Ø 280 | Ruota Ø 280 | Roue Ø 280  | Rad Ø 280    |         |

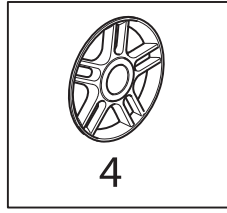




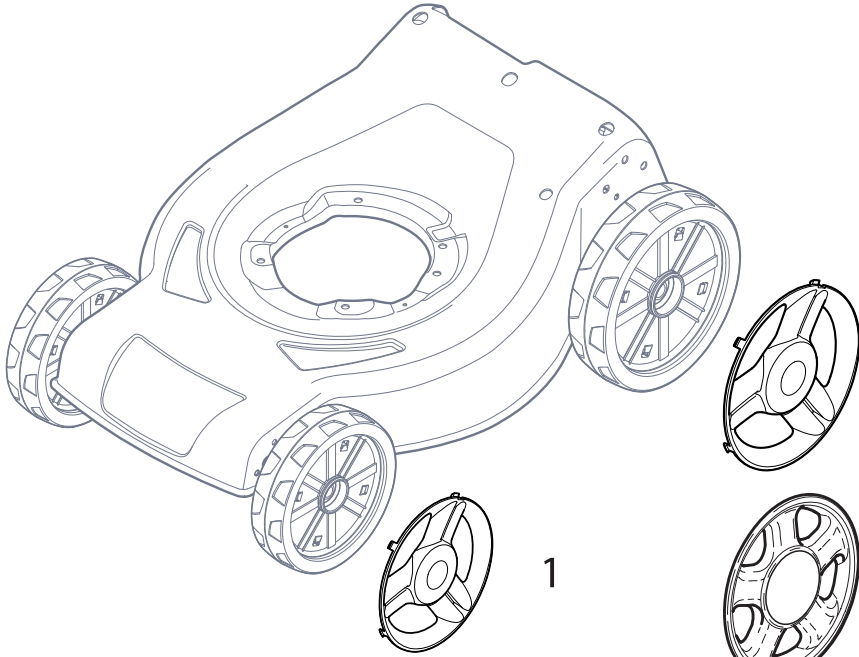
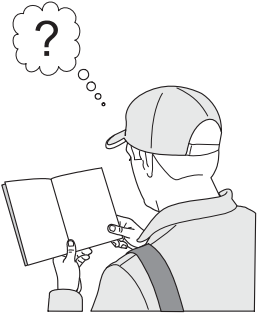
| POS | PART. NO    | Q.ty | DESCRIPTION | DESCRIZIONE | DESCRIPTION | BESCHREIBUNG | REMARKS |
|-----|-------------|------|-------------|-------------|-------------|--------------|---------|
| 1   | 322042063/0 | 4    | Bush        | Bussola     | Douille     | Buchse       |         |
| 2   | 381007435/0 | 2    | Wheel Ø 200 | Ruota Ø 200 | Roue Ø 200  | Rad Ø 200    |         |
| 4   | 381007436/0 | 2    | Wheel Ø 280 | Ruota Ø 280 | Roue Ø 280  | Rad Ø 280    |         |



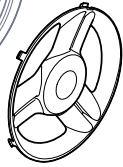
+



= A4



1 ← B



1



2

A →



2



3



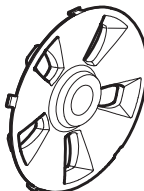
3



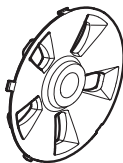
4



4



5



5

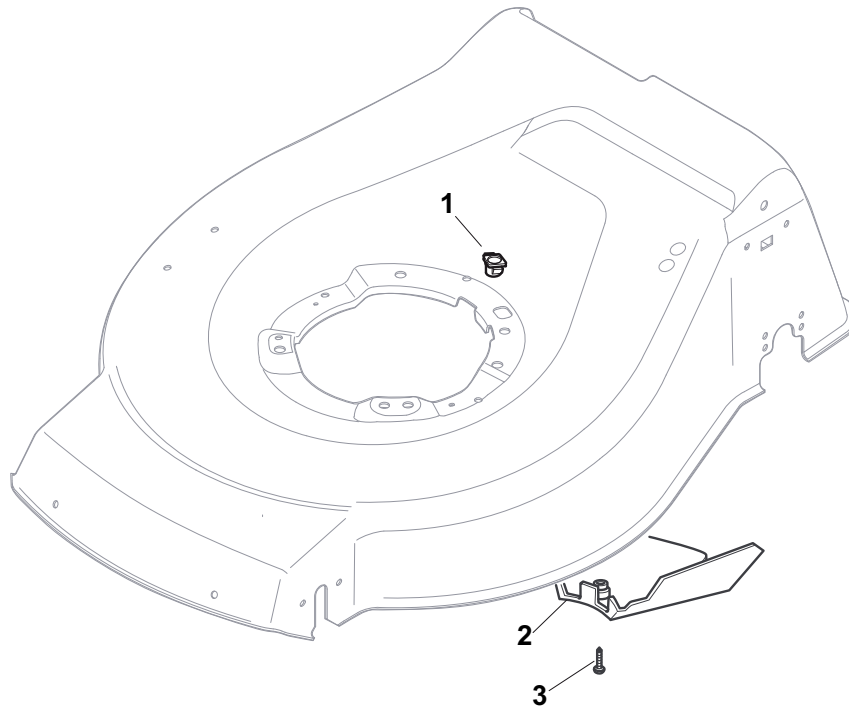


6

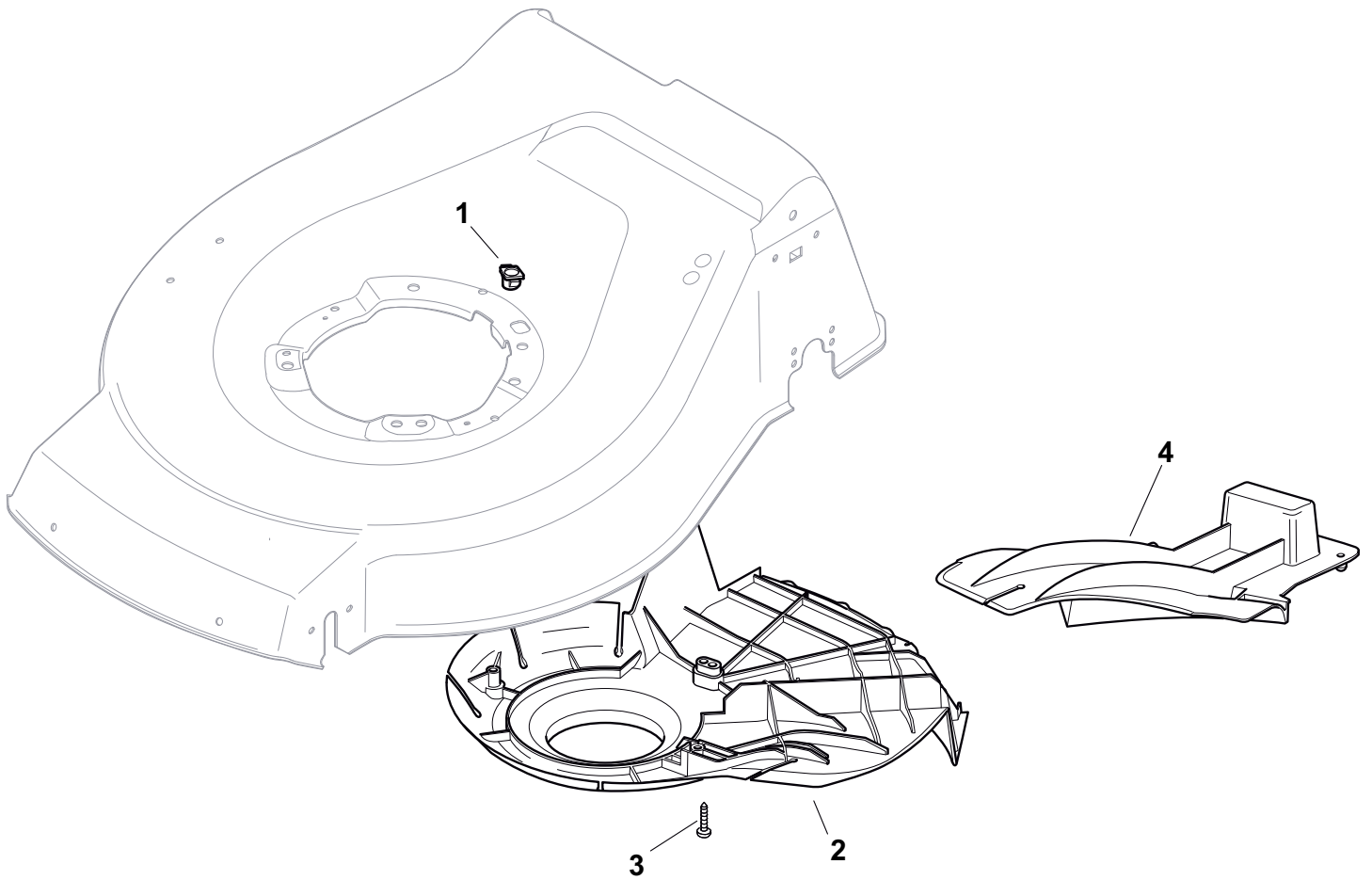


6

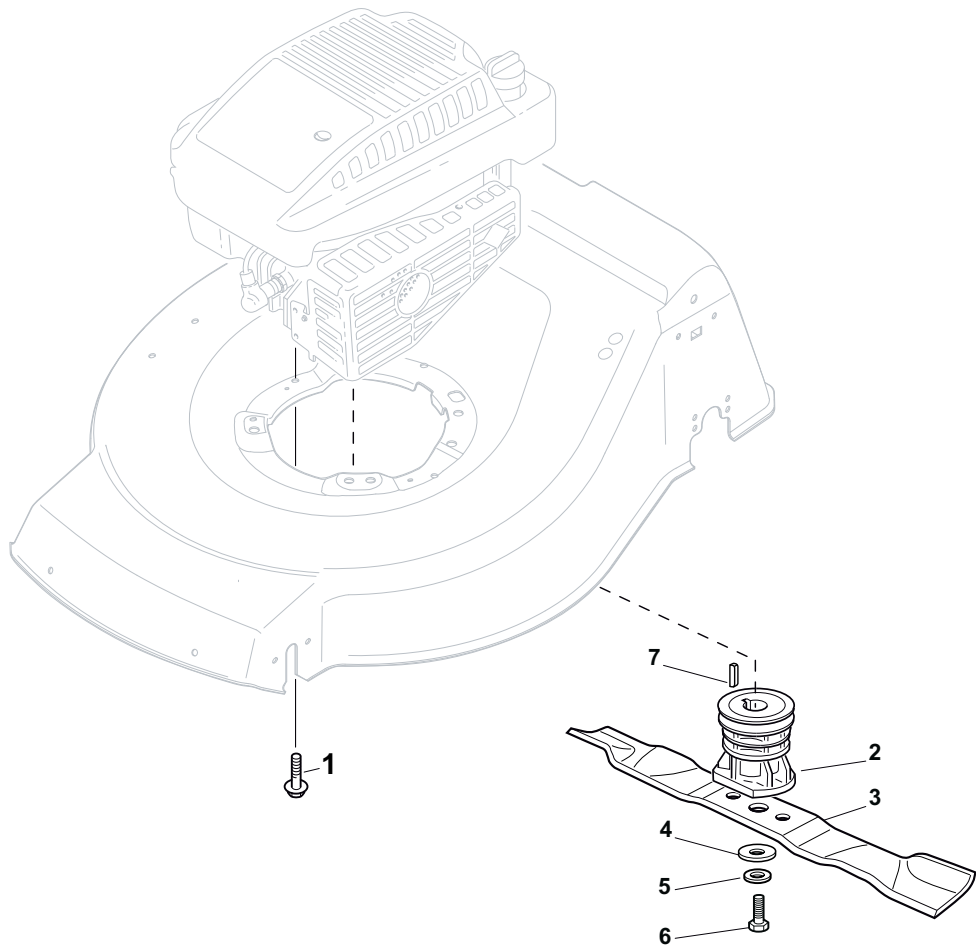
| POS | PART. NO    | Q.ty | DESCRIPTION  | DESCRIZIONE       | DESCRIPTION       | BESCHREIBUNG  | REMARKS |
|-----|-------------|------|--------------|-------------------|-------------------|---------------|---------|
| A1  | 322110687/0 | 2    | Hub Cap Grey | Coprимozzo Grigio | Couvre-Moyeu Gris | Radkappe Grau |         |
| A2  | 22110382/0  | 2    | Hub Cap Grey | Coprимozzo Grigio | Couvre-Moyeu Gris | Radkappe Grau |         |
| A3  | 22110416/0  | 2    | Hub Cap Grey | Coprимozzo Grigio | Couvre-Moyeu Gris | Radkappe Grau |         |
| A4  | 22110492/0  | 2    | Hub Cap Grey | Coprимozzo Grigio | Couvre-Moyeu Gris | Radkappe Grau |         |
| A5  | 322110643/0 | 2    | Hub Cap Grey | Coprимozzo Grigio | Couvre-Moyeu Gris | Radkappe Grau |         |
| A6  | 322110645/0 | 2    | Hub Cap Grey | Coprимozzo Grigio | Couvre-Moyeu Gris | Radkappe Grau |         |
| B1  | 322110641/0 | 2    | Hub Cap Grey | Coprимozzo Grigio | Couvre-Moyeu Gris | Radkappe Grau |         |
| B2  | 322110511/0 | 2    | Hub Cap Grey | Coprимozzo Grigio | Couvre-Moyeu Gris | Radkappe Grau |         |
| B3  | 322110560/0 | 2    | Hub Cap Grey | Coprимozzo Grigio | Couvre-Moyeu Gris | Radkappe Grau |         |
| B4  | 322110417/0 | 2    | Hub Cap Grey | Coprимozzo Grigio | Couvre-Moyeu Gris | Radkappe Grau |         |
| B5  | 322110644/0 | 2    | Hub Cap Grey | Coprимozzo Grigio | Couvre-Moyeu Gris | Radkappe Grau |         |
| B6  | 322110646/0 | 2    | Hub Cap Grey | Coprимozzo Grigio | Couvre-Moyeu Gris | Radkappe Grau |         |



| POS | PART. NO    | Q.ty | DESCRIPTION      | DESCRIZIONE      | DESCRIPTION          | BESCHREIBUNG   | REMARKS |
|-----|-------------|------|------------------|------------------|----------------------|----------------|---------|
| 1   | 322291150/0 | 1    | Rubber Insert    | Inserto In Gomma | Insert De            | Gummi Einsatz  |         |
| 2   | 122060193/0 | 1    | Protection, Belt | Carter Cinghia   | Protection Courroire | Schutz, Riemen |         |
| 3   | 112728530/0 | 1    | Screw            | Vite             | Vis                  | Schraube       |         |

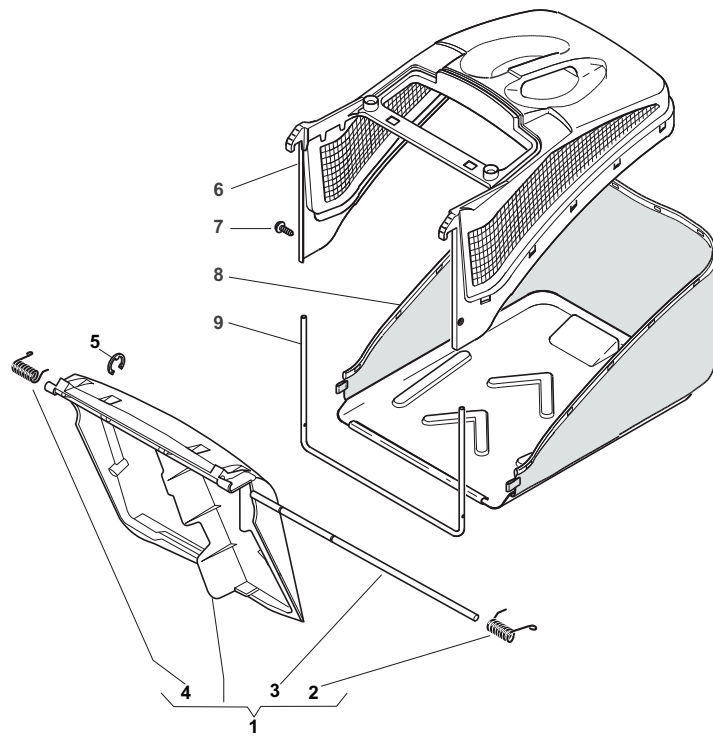


| POS | PART. NO    | Q.ty | DESCRIPTION      | DESCRIZIONE      | DESCRIPTION          | BESCHREIBUNG   | REMARKS |
|-----|-------------|------|------------------|------------------|----------------------|----------------|---------|
| 1   | 322291150/0 | 1    | Rubber Insert    | Inserto In Gomma | Insert De            | Gummi Einsatz  |         |
| 2   | 322060197/3 | 1    | Protection, Belt | Carter Cinghia   | Protection Courroire | Schutz, Riemen |         |
| 3   | 112728530/0 | 3    | Screw            | Vite             | Vis                  | Schraube       |         |
| 4   | 122140222/0 | 1    | Deflector        | Deflettore       | Deflecteur           | Abweiser       |         |

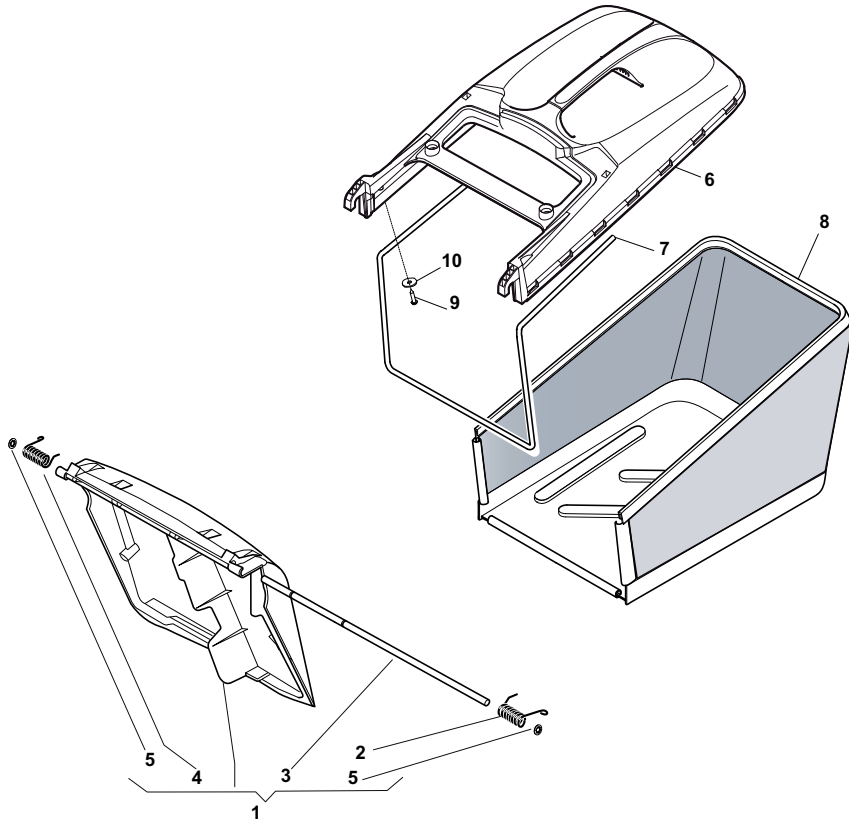




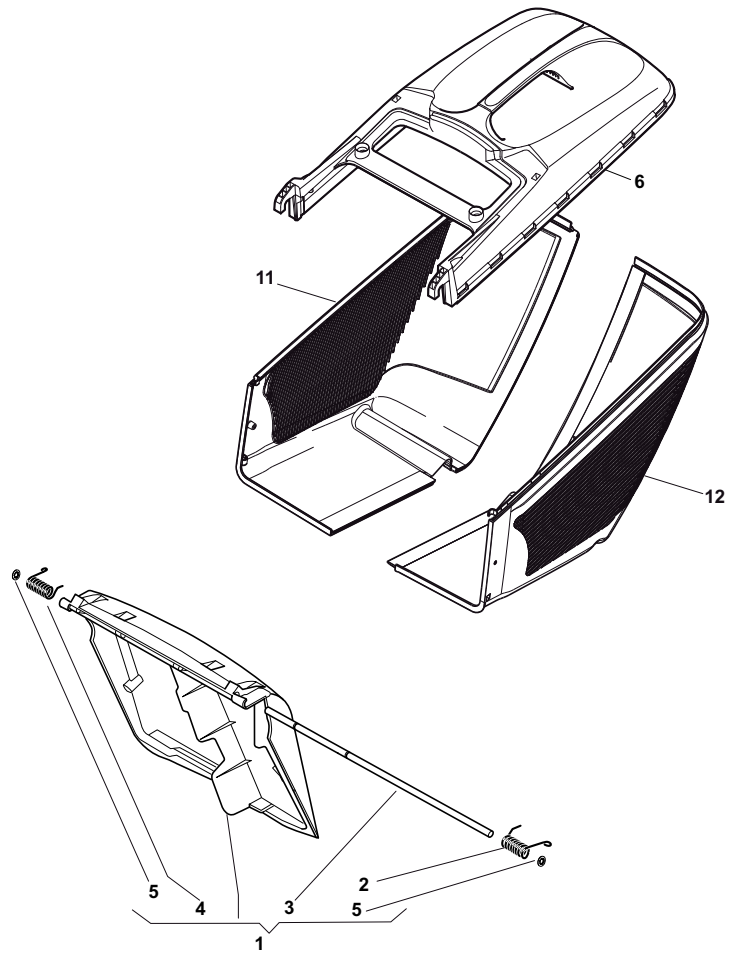
| POS | PART. NO    | Q.ty | DESCRIPTION                           | DESCRIZIONE                                 | DESCRIPTION                               | BESCHREIBUNG                           | REMARKS       |
|-----|-------------|------|---------------------------------------|---|---|--|---------------|
| 1   | 112735108/1 | 2    | Screw                                 | Vite  | Vis                                       | Schraube                               | GGP196cc      |
| 1   | 112735108/1 | 3    | Screw                                 | Vite  | Vis                                       | Schraube                               | GGP-B&S-Honda |
| 1   | 112735109/1 | 1    | Screw                                 | Vite  | Vis                                       | Schraube                               | GGP196cc      |
| 2   | 122465607/3 | 1    | Hub With Pulley,<br>Crankshaft Ø 22.2 | Mozzo Con Puleggia,<br>Albero Motore Ø 22.2 | Moyeu Avec Poulie, Arbre<br>Moteur Ø 22.2 | Nabe Mit Scheibe,<br>Motorwelle Ø 22.2 | GGP - B&S     |
| 2   | 122465608/2 | 1    | Hub With Pulley,<br>Crankshaft Ø 25   | Mozzo Con Puleggia,<br>Albero Motore Ø 25   | Moyeu Avec Poulie, Arbre<br>Moteur Ø 25   | Nabe Mit Scheibe,<br>Motorwelle Ø 25   | Honda         |
| 3   | 181004381/1 | 1    | Blade Standard                        | Coltello Standard                           | Lame Standard                             | Messer Standard                        |               |
| 4   | 122160400/0 | 1    | Elastic Washer                        | Disco Elastico                              | Disque Elastique                          | Federscheibe                           |               |
| 5   | 112523080/0 | 1    | Washer                                | Rosetta                                     | Rondelle                                  | Scheibe                                |               |
| 6   | 112735698/0 | 1    | Screw                                 | Vite  | Vis                                       | Schraube                               |               |
| 7   | 112139100/0 | 1    | Feather, Crankshaft Ø<br>22.2         | Linguetta, Albero Motore<br>Ø 22.2          | Clavette, Arbre Moteur Ø<br>22.2          | Keil, Motorwelle Ø 22.2                | GGP - B&S     |
| 7   | 112139150/0 | 1    | Feather, Crankshaft Ø 25              | Linguetta, Albero Motore<br>Ø 25            | Clavette, Arbre Moteur Ø<br>25            | Keil, Motorwelle Ø 25                  | Honda         |



| POS | PART. NO    | Q.ty | DESCRIPTION      | DESCRIZIONE      | DESCRIPTION            | BESCHREIBUNG       | REMARKS |
|-----|-------------|------|------------------|------------------|------------------------|--------------------|---------|
| 1   | 381008021/2 | 1    | Stone-Guard      | Parasassi        | Pare-Pierres           | Prallblech         |         |
| 2   | 122450420/1 | 1    | L Spring         | Molla Sx         | Ressort G              | Linke Feder        |         |
| 3   | 122517906/1 | 1    | Pin              | Perno            | Pivot                  | Bolzen             |         |
| 4   | 122450410/1 | 1    | R Spring         | Molla Dx         | Ressort D              | Rechte Feder       |         |
| 5   | 112000930/0 | 1    | Snap Ring        | Anello Elastico  | Anneau Ressort         | Sprengring         |         |
| 6   | 122486093/0 | 1    | Grass-Box, Upper | Sacco, Parte Sup | Sac, Partie Superieure | Korb, Oberteil     |         |
| 7   | 112728445/0 | 2    | Screw            | Vite             | Vis                    | Schraube           |         |
| 8   | 181002195/0 | 1    | Box, Fabric      | Sacco, Tela      | Sac, Toile             | Sack, Tuck         |         |
| 9   | 122608523/0 | 1    | Stiffening Lower | Rinforzo Inf     | Réinforcement Inf      | Verstärkung Untere |         |



| POS | PART. NO    | Q.ty | DESCRIPTION           | DESCRIZIONE        | DESCRIPTION            | BESCHREIBUNG        | REMARKS |
|-----|-------------|------|-----------------------|--------------------|------------------------|---------------------|---------|
| 1   | 381008081/2 | 1    | Stone-Guard Black     | Parasassi Nero     | Pare-Pierres, Noir     | Prallblech, Schwarz | Black   |
| 1   | 381008082/2 | 1    | Stone-Guard Yellow    | Parasassi Giallo   | Pare-Pierres, Jaune    | Prallblech, Gelb    | Yelow   |
| 2   | 122450466/0 | 1    | L Spring              | Molla Sx           | Ressort G              | Linke Feder         |         |
| 3   | 122517882/0 | 1    | Pin                   | Perno              | Pivot                  | Bolzen              |         |
| 4   | 122450465/0 | 1    | R Spring              | Molla Dx           | Ressort D              | Rechte Feder        |         |
| 5   | 112604899/0 | 2    | Crown Fastener        | Fissatore A Corona | Fixateur A Couronne    | Kronescheibe        |         |
| 6   | 381486008/0 | 1    | Grass-Box, Upper Part | Sacco, Parte Sup   | Sac, Partie Superieure | Korb, Oberteil      | Black   |
| 6   | 381486012/0 | 1    | Grass-Box, Upper Part | Sacco, Parte Sup   | Sac, Partie Superieure | Korb, Oberteil      | Yelow   |
| 7   | 122608525/0 | 1    | Stiffening Lower      | Rinforzo Inf       | Réinforcement Inf      | Verstärkung Untere  |         |
| 8   | 181002211/0 | 1    | Box, Fabric           | Sacco, Tela        | Sac, Toile             | Sack, Tuck          |         |
| 9   | 112728680/0 | 2    | Screw                 | Vite               | Vis                    | Schraube            |         |
| 10  | 112523050/0 | 2    | Washer                | Rosetta            | Rondelle               | Scheibe             |         |



| POS | PART. NO    | Q.ty | DESCRIPTION           | DESCRIZIONE         | DESCRIPTION              | BESCHREIBUNG        | REMARKS |
|-----|-------------|------|-----------------------|---------------------|--------------------------|---------------------|---------|
| 1   | 381008081/2 | 1    | Stone-Guard Black     | Parasassi Nero      | Pare-Pierres, Noir       | Prallblech, Schwarz | Black   |
| 1   | 381008082/2 | 1    | Stone-Guard Yellow    | Parasassi Giallo    | Pare-Pierres, Jaune      | Prallblech, Gelb    | Yellow  |
| 2   | 122450466/0 | 1    | L Spring              | Molla Sx            | Ressort G                | Linke Feder         |         |
| 3   | 122517882/0 | 1    | Pin                   | Perno               | Pivot                    | Bolzen              |         |
| 4   | 122450465/0 | 1    | R Spring              | Molla Dx            | Ressort D                | Rechte Feder        |         |
| 5   | 112604899/0 | 2    | Crown Fastener        | Fissatore A Corona  | Fixateur A Couronne      | Kronescheibe        |         |
| 6   | 381486008/0 | 1    | Grass-Box, Upper Part | Sacco, Parte Sup    | Sac, Partie Superieure   | Korb, Oberteil      | Black   |
| 6   | 381486012/0 | 1    | Grass-Box, Upper Part | Sacco, Parte Sup    | Sac, Partie Superieure   | Korb, Oberteil      | Yellow  |
| 11  | 322486150/1 | 1    | Grass-Box, R Lower    | Sacco, Parte Inf Dx | Sac, Partie Inferieure D | Korb, R Unterteil   |         |
| 12  | 322486151/1 | 1    | Grass-Box, L Lower    | Sacco, Parte Inf Sx | Sac, Partie Inferieure G | Korb, L Unterteil   |         |