

# Parts Catalogue

for model

**CR-CS 484 - CR-CS 484 Q**

- Use GLOBAL GARDEN PRODUCT Genuine Spare Parts specified in the parts list for repair and/or replacement.
- The contents described in the parts list may change due to improvement.
- The drawings of the spare parts are only indicative and might not represent the part in question exactly.
- The indications "right" - "left" - "front" - "rear" refer to the position of the operator when using the machine.
- When placing orders of parts for repair and/or replacement, make sure that the illustrated parts list is the one applying to the machine's year of manufacture, as shown on the identification plate attached to the machine.

© Copyright 2015 Global Garden Products

All content is subject to copyright by Global Garden Products and may not be reproduced in whole or in part by any means, electronic or otherwise, without prior written approval.

THIS INFORMATION IS NOT INTENDED FOR SALE OR RESALE, AND THIS NOTICE MUST REMAIN ON ALL COPIES.



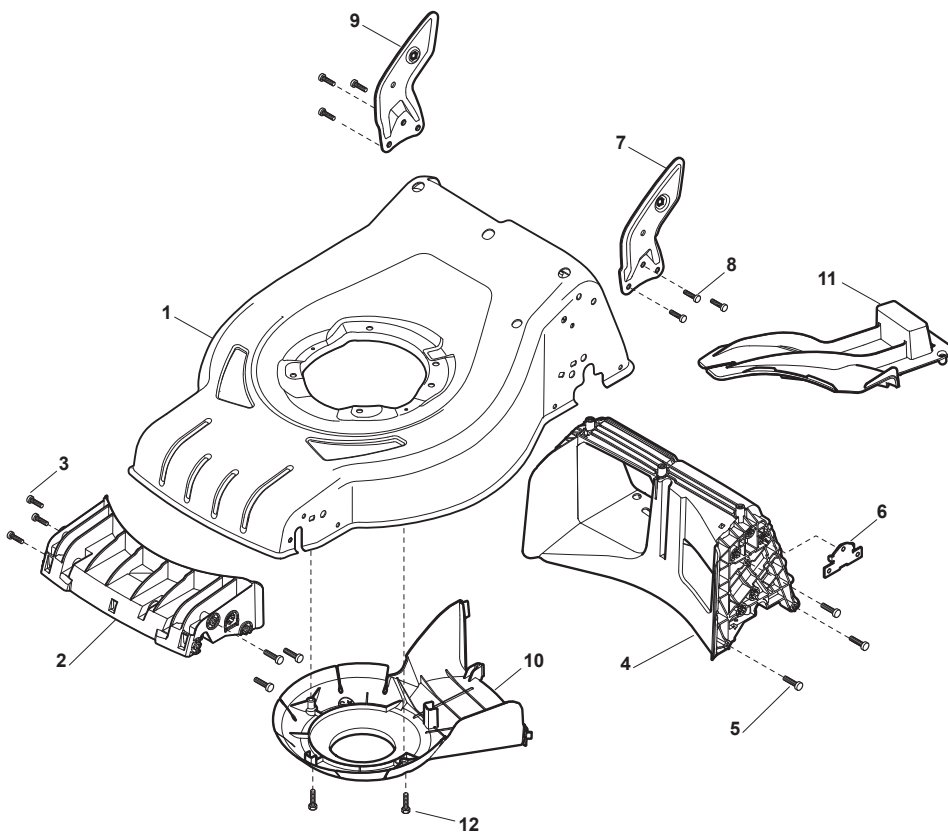


Fig.	Quantity	Part No	Description	Notes
1	1	381004018/0	Red Deck	
1	1	381004024/0	Black Deck	
1	1	381004729/0	Grey Deck	
2	1	322108301/1	Front Conveyor Assy	
3	6	112728699/0	Screw	
4	1	322108302/0	Rear Conveyor Assy	
5	6	112728699/0	Screw	
6	2	322545213/0	Plate	
7	1	381005139/0	Left Bracket	
8	6	112727801/0	Screw	
9	1	381005137/0	Right Bracket	
10	1	322060242/0	Belt Protection	
11	1	322140239/0	Mulching Deflector	
12	2	112728530/0	Screw	

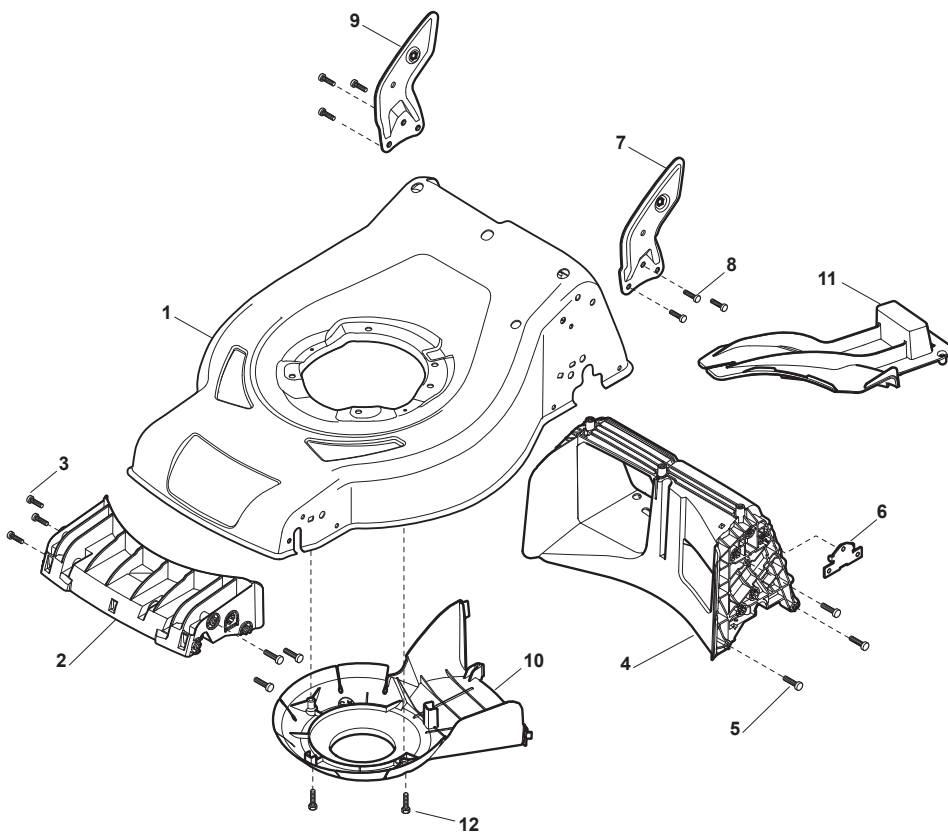


Fig.	Quantity	Part No	Description	Notes
1	1	381004020/0	Red Deck	
1	1	381004051/0	Black Deck	
2	1	322108301/1	Front Conveyor Assy	
3	6	112728699/0	Screw	
4	1	322108302/0	Rear Conveyor Assy	
5	6	112728699/0	Screw	
6	2	322545213/0	Plate	
7	1	381005139/0	Left Bracket	
8	6	112727801/0	Screw	
9	1	381005137/0	Right Bracket	
10	1	322060242/0	Belt Protection	
11	1	322140239/0	Mulching Deflector	
12	2	112728530/0	Screw	

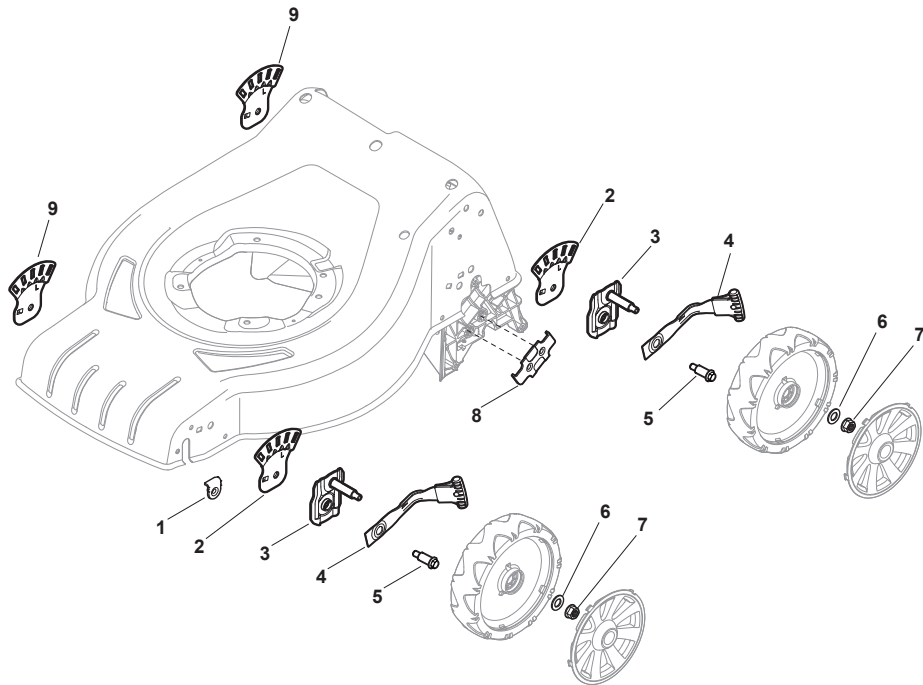
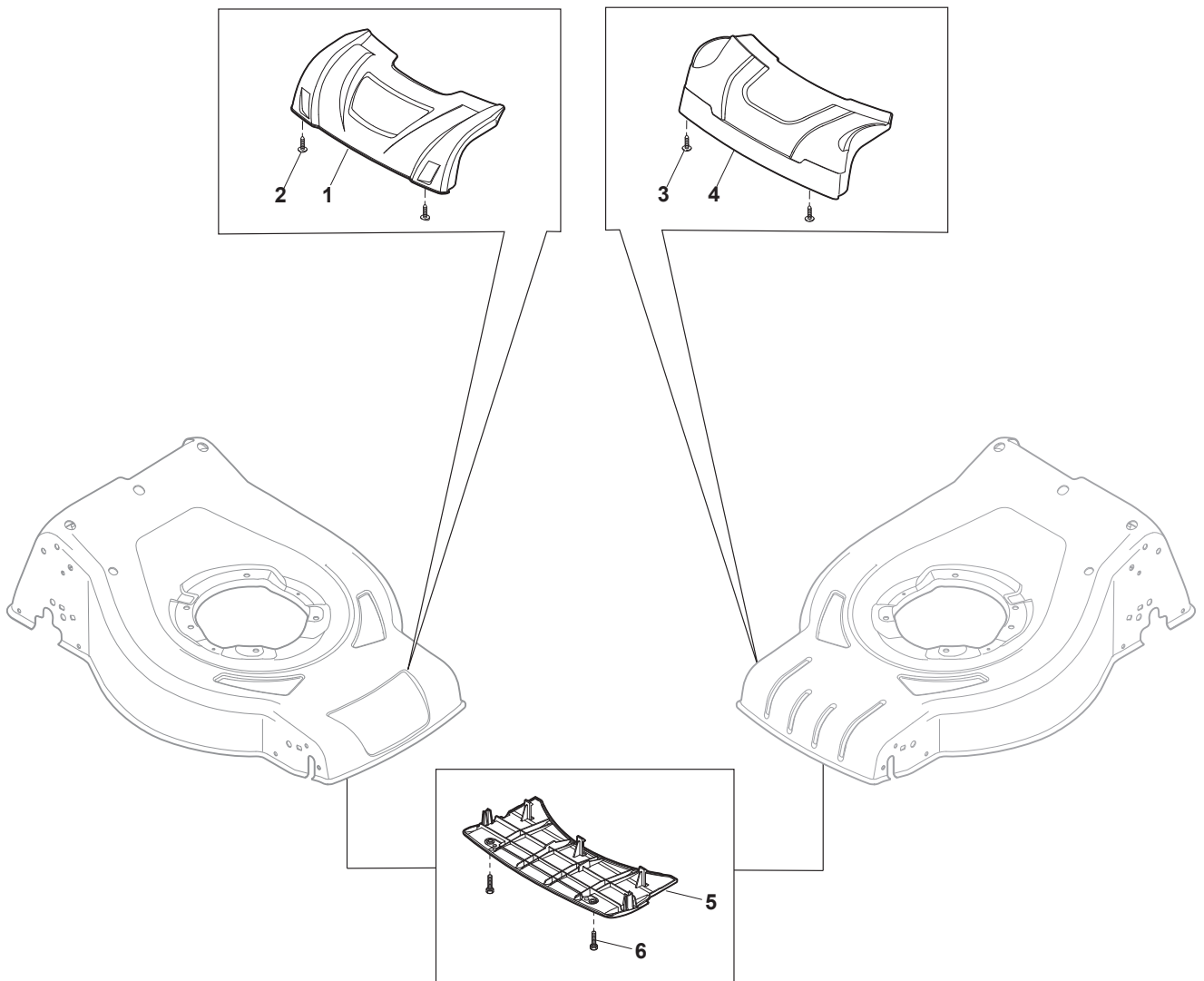


Fig.	Quantity	Part No	Description	Notes
1	2	322545189/0	Plate	
2	2	322735597/1	Sector, Height Adjustment	
3	4	381005141/0	Wheel Support	
4	4	381003354/0	Lever, Height Adjustment	
5	4	122519811/0	Pin	
6	4	112521350/0	Washer	
7	4	112155000/0	Nut	
8	2	322545211/0	Plate	
9	2	322735595/1	Sector, Height Adjustment	





# CR-CS 484 - CR-CS 484 Q

WBH Petrol Steel Mask

Issue 8 - 2015

Fig.	Quantity	Part No	Description	Notes
1	1	322226168/0	Mask, Black	
2	2	112728698/0	Screw	
3	2	112728698/0	Screw	
4	1	322226170/0	Mask, Black	
5	1	322500106/0	Front Combi	
6	2	112728698/0	Screw	

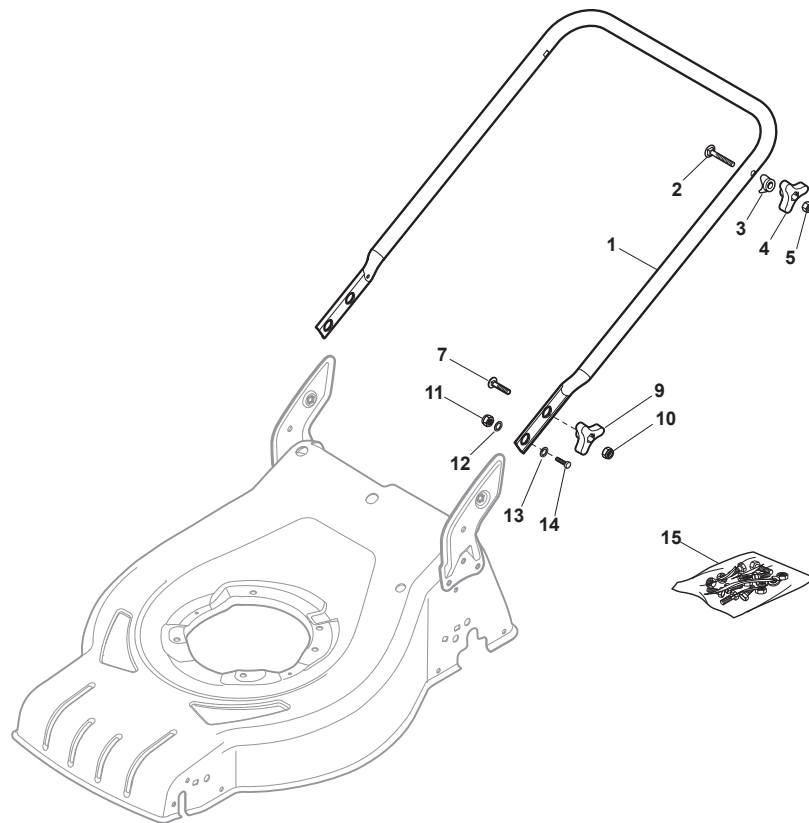


Fig.	Quantity	Part No	Description	Notes
1	1	381006737/0	Handle Lower Part	Black
1	1	381007537/0	Handle, Lower Part Yellow	Yellow
2	2	112819110/0	Screw	
3	2	122671651/0	Washer	
4	2	122399900/0	Knob	Black
4	2	322399840/0	Yellow Knob	Yellow
4	2	322399846/0	Red Knob	Red
5	2	112293200/0	Nut	
7	2	112818900/0	Screw	
9	2	122399900/0	Knob	Black
9	2	322399840/0	Yellow Knob	Yellow
9	2	322399846/0	Red Knob	Red
10	2	112293200/0	Nut	
11	2	112155000/0	Nut	
12	2	112521350/0	Washer	
13	2	112369500/0	Elastic Washer	
14	2	112760605/0	Screw	
15	1	381008691/0	Outfit, Screws	Black
15	1	381008692/0	Outfit, Screws	Yellow
15	1	381008695/0	Outfit, Screws	Red

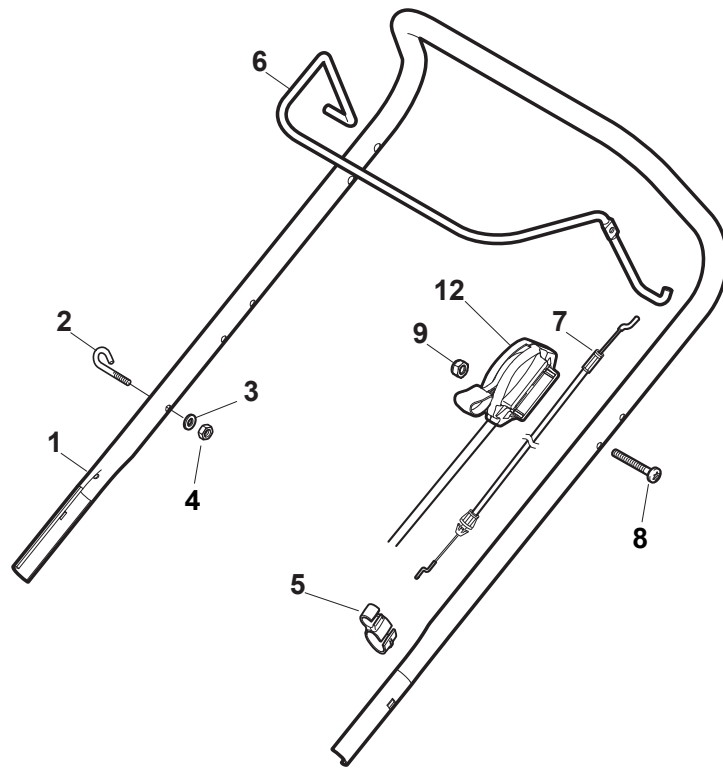


Fig.	Quantity	Part No	Description	Notes
1	1	381006739/1	Handle, Upper Part	Black
1	1	381006745/1	Handle, Upper Part with sponge handgrip	Black
1	1	381006753/0	Handle, Upper Part Yellow	Yellow
2	1	122430313/0	Guide Spring	
3	1	112521330/0	Washer	
4	1	112154510/0	Nut	
5	1	118390020/0	Conduit Clip Caproeurope	
6	1	181003363/1	Lever, Engine Brake Black	Black
6	1	381003365/0	Lever, Engine Brake Yellow	Yellow
6	1	381003376/0	Lever, Engine Brake Red	Red
7	1	181030056/0	Cable, Thread Engine Brake	for GGP Engine
7	1	181030069/1	Cable, Thread Engine Brake	for Honda Engine
8	1	112727783/0	Screw	
9	1	112154510/0	Nut	
12	1	181005517/0	Throttle Cable	for GGP Engine
12	1	181005511/0	Throttle Cable	for B&S Engine
12	1	181005517/0	Throttle Cable	for Honda Engine
12	1	181005532/0	Throttle Cable	for GGP RS-RSC-RSCT Engines

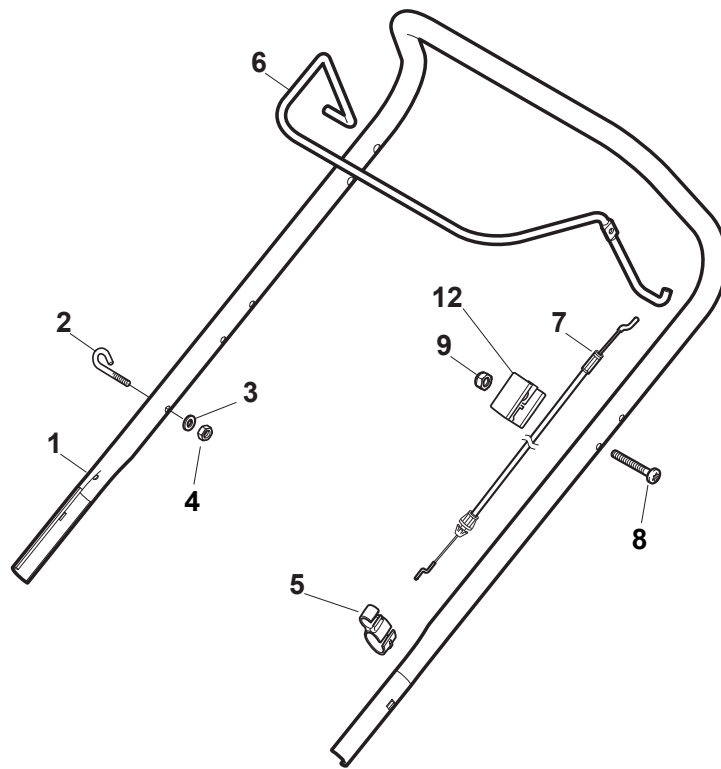


Fig.	Quantity	Part No	Description	Notes
1	1	381006739/1	Handle, Upper Part	
1	1	381006745/1	Handle, Upper Part with sponge handgrip	
1	1	381006753/0	Handle, Upper Part Yellow	
2	1	122430313/0	Guide Spring	
3	1	112521330/0	Washer	
4	1	112154510/0	Nut	
5	1	118390020/0	Conduit Clip Caproeurope	
6	1	181003363/1	Lever, Engine Brake Black	Black
6	1	381003365/0	Lever, Engine Brake Yellow	Yellow
6	1	381003376/0	Lever, Engine Brake Red	Red
7	1	181030056/0	Cable, Thread Engine Brake	for B&S Engine
7	1	181030056/0	Cable, Thread Engine Brake	for GGP Engine
7	1	181030069/1	Cable, Thread Engine Brake	for Honda Engine
8	1	112727783/0	Screw	
9	1	112154510/0	Nut	
12	1	322551640/0	Plate	

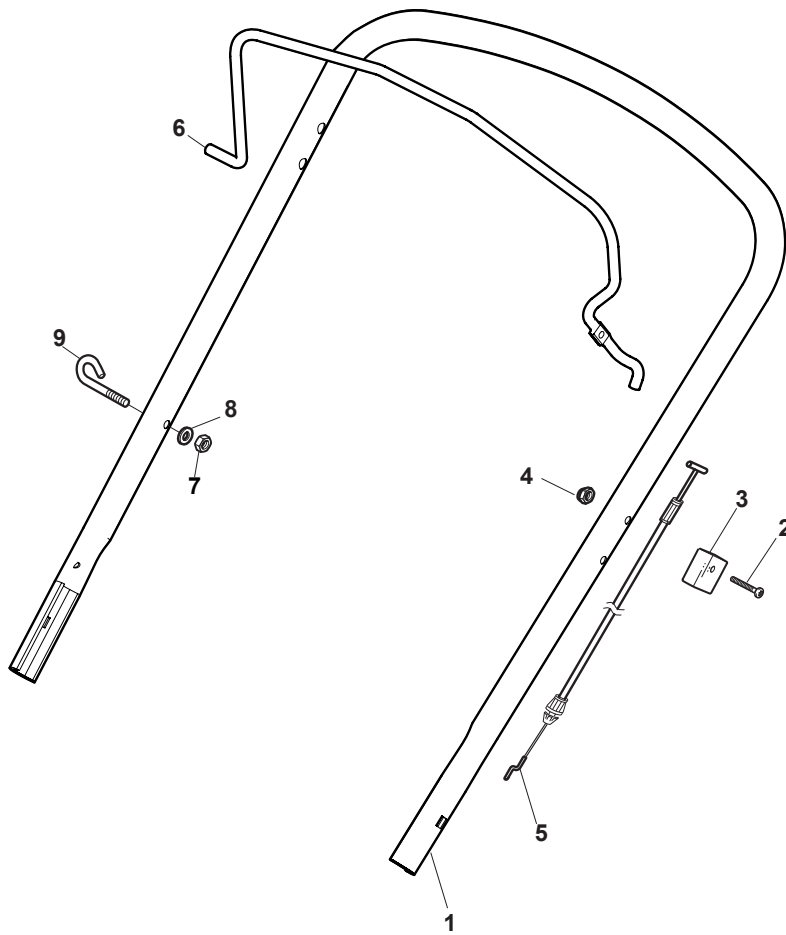




Fig.	Quantity	Part No	Description	Notes
1	1	381006740/0	Handle, Upper Part	
2	1	112727788/0	Screw	
3	1	322551640/0	Plate	
4	1	112154510/0	Nut	
5	1	181030084/0	Cable, Thread Engine Brake	B&S / GGP / Honda Engine
6	1	181003369/0	Lever, Engine Brake	
7	1	112154510/0	Nut	
8	1	112521330/0	Washer	
9	1	122430313/0	Guide Spring	

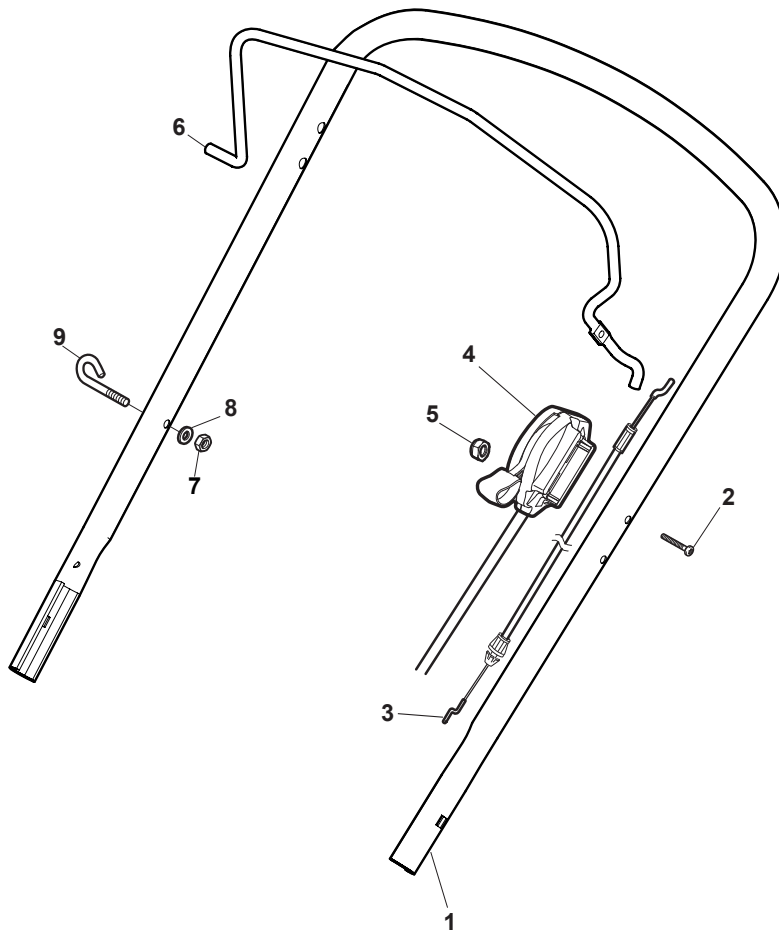
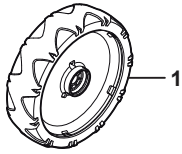


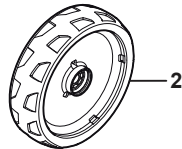
Fig.	Quantity	Part No	Description	Notes
1	1	381006740/0	Handle, Upper Part	
2	1	112727783/0	Screw	
3	1	181030084/0	Cable, Thread Engine Brake	B&S / GGP / Honda Engine
4	1	181005522/0	Throttle Cable	B&S Engine
4	1	181005534/0	Throttle Cable	for GGP RS-RSC-RSCT Engines
4	1	181005535/0	Throttle Cable	for GGP and Honda Engine
4	1	181005536/0	Throttle Cable	B&S E Series
5	1	112154510/0	Nut	
6	1	181003369/0	Lever, Engine Brake	
7	1	112154510/0	Nut	
8	1	112521330/0	Washer	
9	1	122430313/0	Guide Spring	

PIVOT Version - Ø 180

CRUISER Wheels

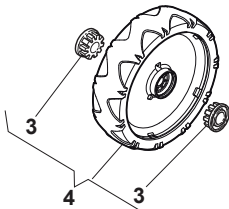


DELTA Wheels

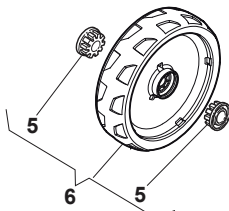


BUSHING Version - Ø 180

CRUISER Wheels

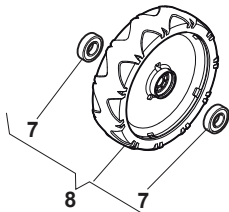


DELTA Wheels

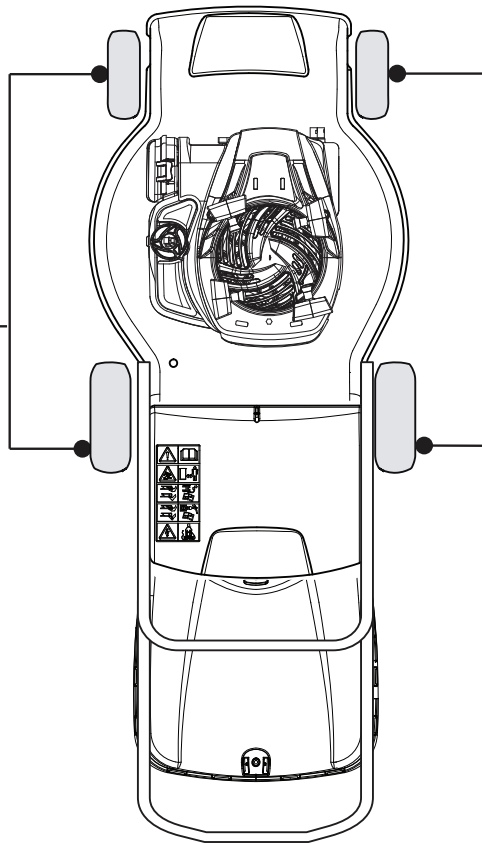
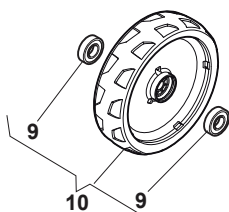


BALL BEARING Version - Ø 180

CRUISER Wheels

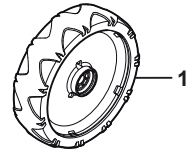


DELTA Wheels

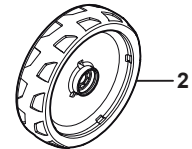


PIVOT Version - Ø 180

CRUISER Wheels

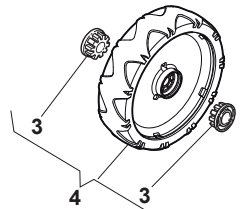


DELTA Wheels

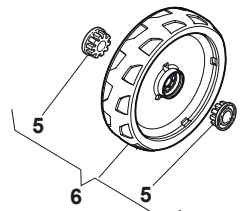


BUSHING Version - Ø 180

CRUISER Wheels

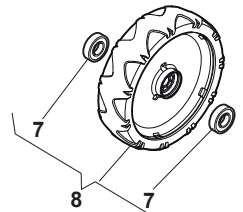


DELTA Wheels



BALL BEARING Version - Ø 180

CRUISER Wheels



DELTA Wheels

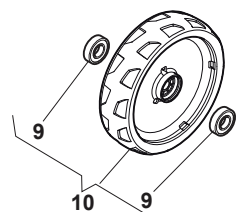
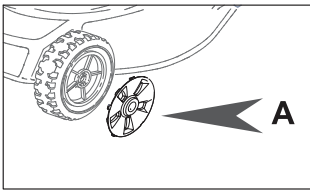
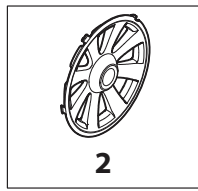


Fig.	Quantity	Part No	Description	Notes
1	4	381007440/1	Wheel	
2	4	381007438/1	Wheel	
3	4	322042064/0	Bushing	
4	4	381007444/1	Wheel	
5	4	322042064/0	Bushing	
6	4	381007442/1	Wheel	
7	4	119216035/0	Bearing	
8	4	381007450/1	Wheel	
9	4	119216035/0	Bearing	
10	4	381007448/1	Wheel	



+



= A2

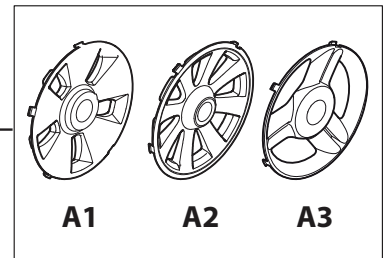
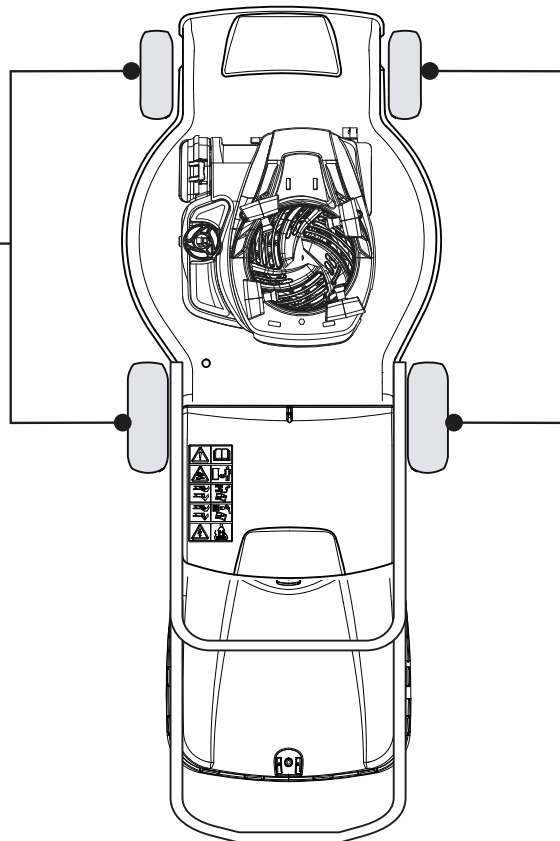
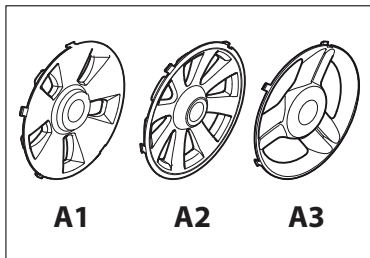


Fig.	Quantity	Part No	Description	Notes
A1	4	322110636/0	Hub Cap Grey	
A2	4	322110638/0	Hub Cap Grey	
A2	4	322110647/0	Hub Cap Yellow	
A3	4	322110687/0	Hub Cap Grey	

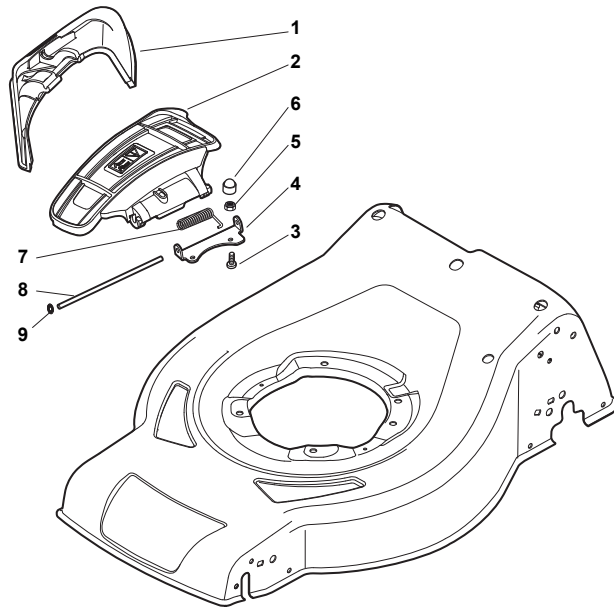




Fig.	Quantity	Part No	Description	Notes
1	1	322108309/1	Rear Conveyor Assy	Black
2	1	322600314/0	Ejection Guard	
8	1	122517869/1	Pin	
3	2	112727803/0	Screw	
4	1	322806639/0	Fulcrum Pin	
5	2	112154510/0	Nut	
6	2	118203853/0	Screw	
7	1	122450456/0	Spring	
9	2	112604896/0	Crown Fastener	

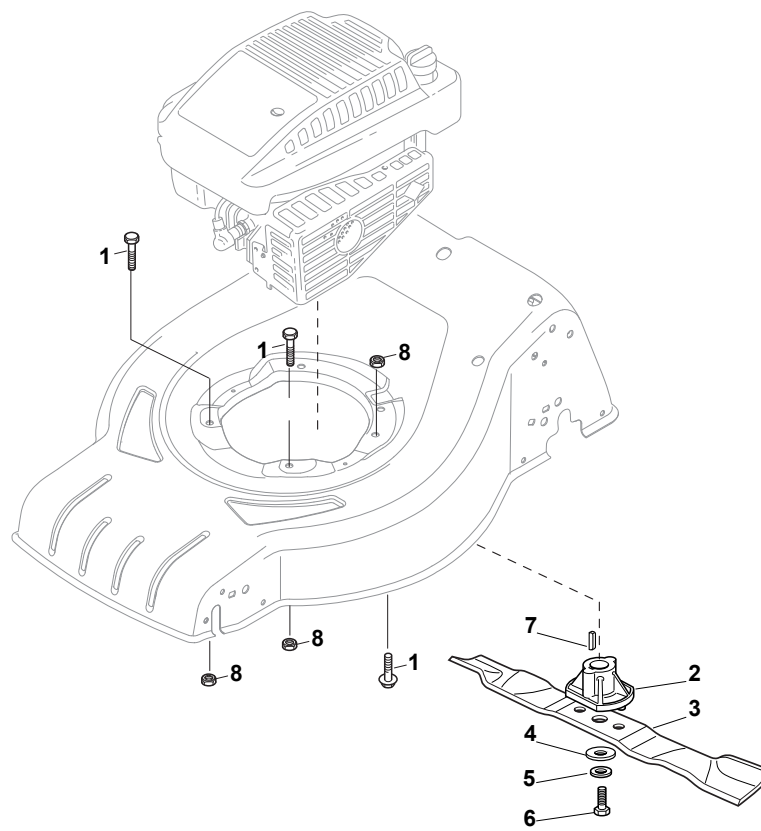


Fig.	Quantity	Part No	Description	Notes
1	2	112691100/0	Screw	for B&S Engine
1	3	112691100/0	Screw	for B&S E Series Engine
1	3	112691115/0	Screw	for HONDA Engine / for GGP Engine
1	1	112691800/0	Screw	for B&S Engine
2	1	122463012/2	Hub, Crankshaft Ø 22.2	for B&S and GGP Engines
2	1	122463020/1	Hub, Crankshaft Ø 25	for HONDA Engines
3	1	181004346/3	Blade	
4	1	122160400/0	Elastic Disc	
5	1	112523080/0	Washer	
6	1	112735698/0	Screw	
7	1	112139100/0	Feather, Crankshaft Ø 22,2	for B&S and GGP Engines
7	1	112139150/0	Feather, Crankshaft Ø 25	for HONDA Engines
8	3	112154210/0	Nut	

code	pos.	q.ty	page									
112139100/0	7	1	p. 27	122517869/1	8	1	p. 25	381005137/0	9	1	p. 5	
112139150/0	7	1	p. 27	122519811/0	5	4	p. 7	381005139/0	7	1	p. 3	
112154210/0	8	3	p. 27	122671651/0	3	2	p. 11	381005139/0	7	1	p. 5	
112154510/0	4	1	p. 13	181003363/1	6	1	p. 13	381005141/0	3	4	p. 7	
112154510/0	4	1	p. 15	181003363/1	6	1	p. 15	381006737/0	1	1	p. 11	
112154510/0	4	1	p. 17	181003369/0	6	1	p. 17	381006739/1	1	1	p. 13	
112154510/0	5	1	p. 19	181003369/0	6	1	p. 19	381006739/1	1	1	p. 15	
112154510/0	5	2	p. 25	181004346/3	3	1	p. 27	381006740/0	1	1	p. 17	
112154510/0	7	1	p. 17	181005511/0	12	1	p. 13	381006740/0	1	1	p. 19	
112154510/0	7	1	p. 19	181005517/0	12	1	p. 13	381006745/1	1	1	p. 13	
112154510/0	9	1	p. 13	181005517/0	12	1	p. 13	381006745/1	1	1	p. 15	
112154510/0	9	1	p. 15	181005522/0	4	1	p. 19	381006753/0	1	1	p. 13	
112155000/0	7	4	p. 7	181005532/0	12	1	p. 13	381006753/0	1	1	p. 15	
112155000/0	11	2	p. 11	181005534/0	4	1	p. 19	381007438/1	2	4	p. 21	
112293200/0	5	2	p. 11	181005535/0	4	1	p. 19	381007440/1	1	4	p. 21	
112293200/0	10	2	p. 11	181005536/0	4	1	p. 19	381007442/1	6	4	p. 21	
112369500/0	13	2	p. 11	181030056/0	7	1	p. 13	381007444/1	4	4	p. 21	
112521330/0	3	1	p. 13	181030056/0	7	1	p. 15	381007448/1	10	4	p. 21	
112521330/0	3	1	p. 15	181030056/0	7	1	p. 15	381007450/1	8	4	p. 21	
112521330/0	8	1	p. 17	181030069/1	7	1	p. 13	381007537/0	1	1	p. 11	
112521330/0	8	1	p. 19	181030069/1	7	1	p. 15	381008691/0	15	1	p. 11	
112521350/0	6	4	p. 7	181030084/0	3	1	p. 19	381008692/0	15	1	p. 11	
112521350/0	12	2	p. 11	181030084/0	5	1	p. 17	381008695/0	15	1	p. 11	
112523080/0	5	1	p. 27	322042064/0	3	4	p. 21					
112604896/0	9	2	p. 25	322042064/0	5	4	p. 21					
112691100/0	1	2	p. 27	322060242/0	10	1	p. 3					
112691100/0	1	3	p. 27	322060242/0	10	1	p. 5					
112691115/0	1	3	p. 27	322108301/1	2	1	p. 3					
112691800/0	1	1	p. 27	322108301/1	2	1	p. 5					
112727783/0	2	1	p. 19	322108302/0	4	1	p. 3					
112727783/0	8	1	p. 13	322108302/0	4	1	p. 5					
112727783/0	8	1	p. 15	322108309/1	1	1	p. 25					
112727788/0	2	1	p. 17	322110636/0	A1	4	p. 23					
112727801/0	8	6	p. 3	322110638/0	A2	4	p. 23					
112727801/0	8	6	p. 5	322110647/0	A2	4	p. 23					
112727803/0	3	2	p. 25	322110687/0	A3	4	p. 23					
112728530/0	12	2	p. 3	322140239/0	11	1	p. 3					
112728530/0	12	2	p. 5	322140239/0	11	1	p. 5					
112728698/0	2	2	p. 9	322226168/0	1	1	p. 9					
112728698/0	3	2	p. 9	322226170/0	4	1	p. 9					
112728698/0	6	2	p. 9	322399840/0	4	2	p. 11					
112728699/0	3	6	p. 3	322399840/0	9	2	p. 11					
112728699/0	3	6	p. 5	322399846/0	4	2	p. 11					
112728699/0	5	6	p. 3	322399846/0	9	2	p. 11					
112728699/0	5	6	p. 5	322500106/0	5	1	p. 9					
112735698/0	6	1	p. 27	322545189/0	1	2	p. 7					
112760605/0	14	2	p. 11	322545211/0	8	2	p. 7					
112818900/0	7	2	p. 11	322545213/0	6	2	p. 3					
112819110/0	2	2	p. 11	322545213/0	6	2	p. 5					
118203853/0	6	2	p. 25	322551640/0	3	1	p. 17					
118390020/0	5	1	p. 13	322551640/0	12	1	p. 15					
118390020/0	5	1	p. 15	322600314/0	2	1	p. 25					
119216035/0	7	4	p. 21	322735595/1	9	2	p. 7					
119216035/0	9	4	p. 21	322735597/1	2	2	p. 7					
122160400/0	4	1	p. 27	322806639/0	4	1	p. 25					
122399900/0	4	2	p. 11	381003354/0	4	4	p. 7					
122399900/0	9	2	p. 11	381003365/0	6	1	p. 13					
122430313/0	2	1	p. 13	381003365/0	6	1	p. 15					
122430313/0	2	1	p. 15	381003376/0	6	1	p. 13					
122430313/0	9	1	p. 17	381003376/0	6	1	p. 15					
122430313/0	9	1	p. 19	381004018/0	1	1	p. 3					
122450456/0	7	1	p. 25	381004020/0	1	1	p. 5					
122463012/2	2	1	p. 27	381004024/0	1	1	p. 3					
122463020/1	2	1	p. 27	381004051/0	1	1	p. 5					
				381004729/0	1	1	p. 3					
				381005137/0	9	1	p. 3					