

Parts Catalogue

for model
CRL-CSL 480 - CRL-CSL 480 Q

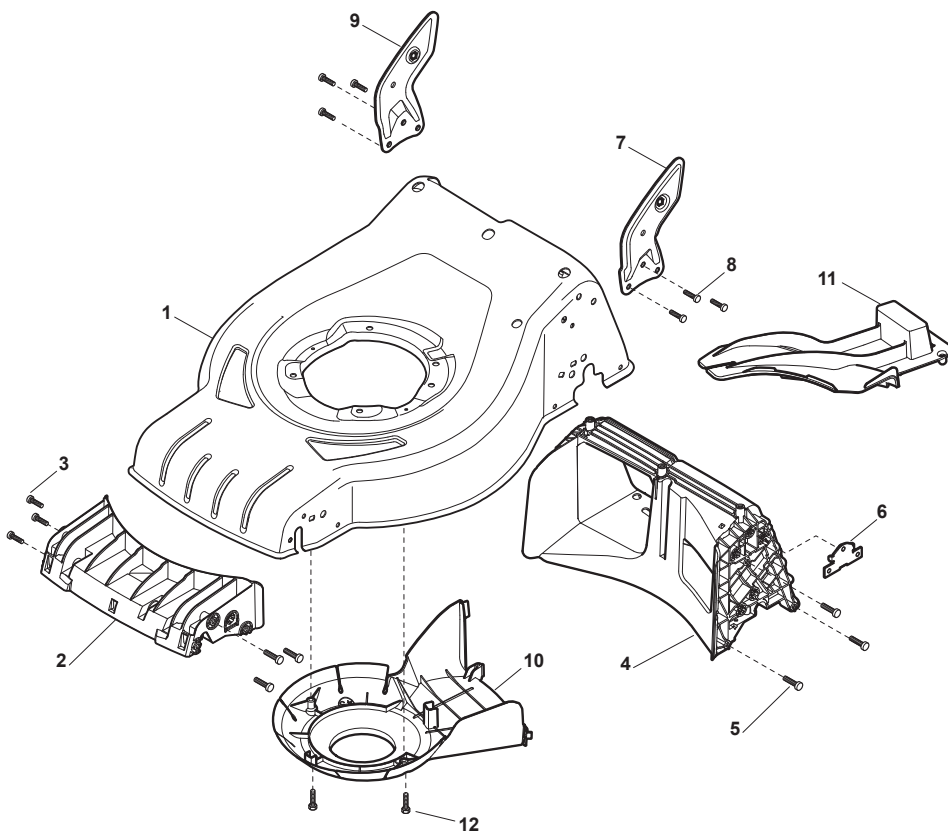
- Use GLOBAL GARDEN PRODUCT Genuine Spare Parts specified in the parts list for repair and/or replacement.
- The contents described in the parts list may change due to improvement.
- The drawings of the spare parts are only indicative and might not represent the part in question exactly.
- The indications "right" - "left" - "front" - "rear" refer to the position of the operator when using the machine.
- When placing orders of parts for repair and/or replacement, make sure that the illustrated parts list is the one applying to the machine's year of manufacture, as shown on the identification plate attached to the machine.

© Copyright 2015 Global Garden Products

All content is subject to copyright by Global Garden Products and may not be reproduced in whole or in part by any means, electronic or otherwise, without prior written approval.

THIS INFORMATION IS NOT INTENDED FOR SALE OR RESALE, AND THIS NOTICE MUST REMAIN ON ALL COPIES.



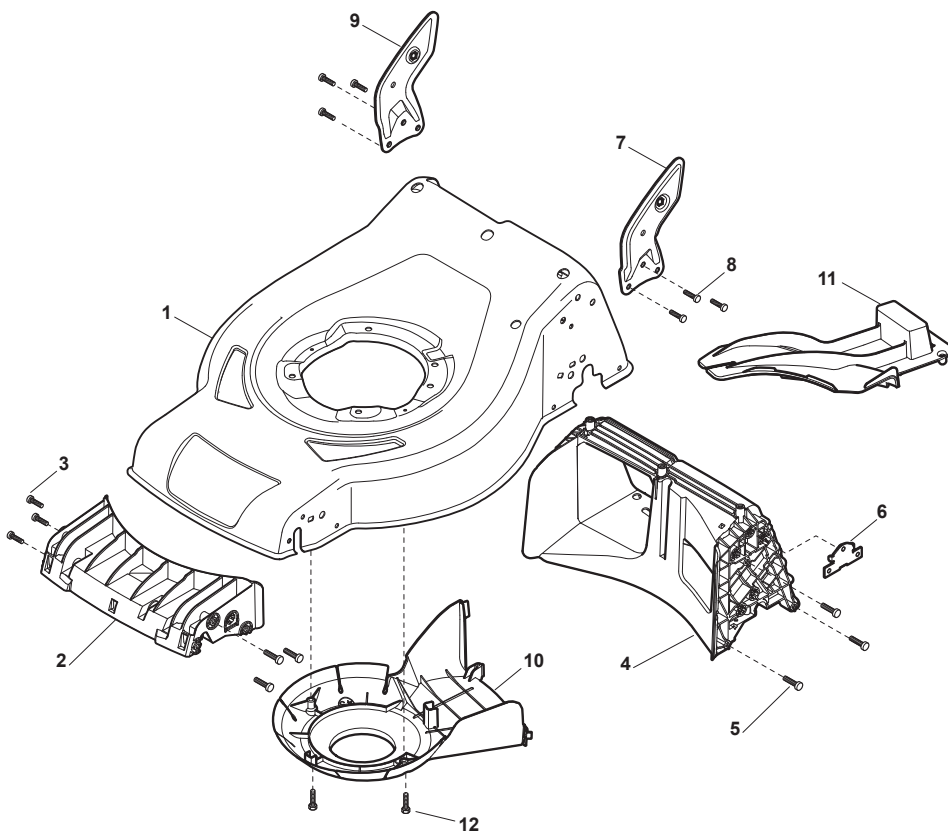


CRL-CSL 480 - CRL-CSL 480 Q

WBH Electric steel Deck

Issue 7 - 2015

Fig.	Quantity	Part No	Description	Notes
1	1	381004018/0	Red Deck	
1	1	381004024/0	Black Deck	
1	1	381004729/0	Grey Deck	
2	1	322108301/1	Front Conveyor Assy	
3	6	112728699/0	Screw	
4	1	322108302/0	Rear Conveyor Assy	
5	6	112728699/0	Screw	
6	2	322545213/0	Plate	
7	1	381005139/0	Left Bracket	
8	6	112727801/0	Screw	
9	1	381005137/0	Right Bracket	
10	1	322060242/0	Belt Protection	
11	1	322140239/0	Mulching Deflector	
12	2	112728530/0	Screw	



CRL-CSL 480 - CRL-CSL 480 Q

WBH Electric steel Deck

Issue 7 - 2015

Fig.	Quantity	Part No	Description	Notes
1	1	381004020/0	Red Deck	
1	1	381004051/0	Black Deck	
2	1	322108301/1	Front Conveyor Assy	
3	6	112728699/0	Screw	
4	1	322108302/0	Rear Conveyor Assy	
5	6	112728699/0	Screw	
6	2	322545213/0	Plate	
7	1	381005139/0	Left Bracket	
8	6	112727801/0	Screw	
9	1	381005137/0	Right Bracket	
10	1	322060242/0	Belt Protection	
11	1	322140239/0	Mulching Deflector	
12	2	112728530/0	Screw	

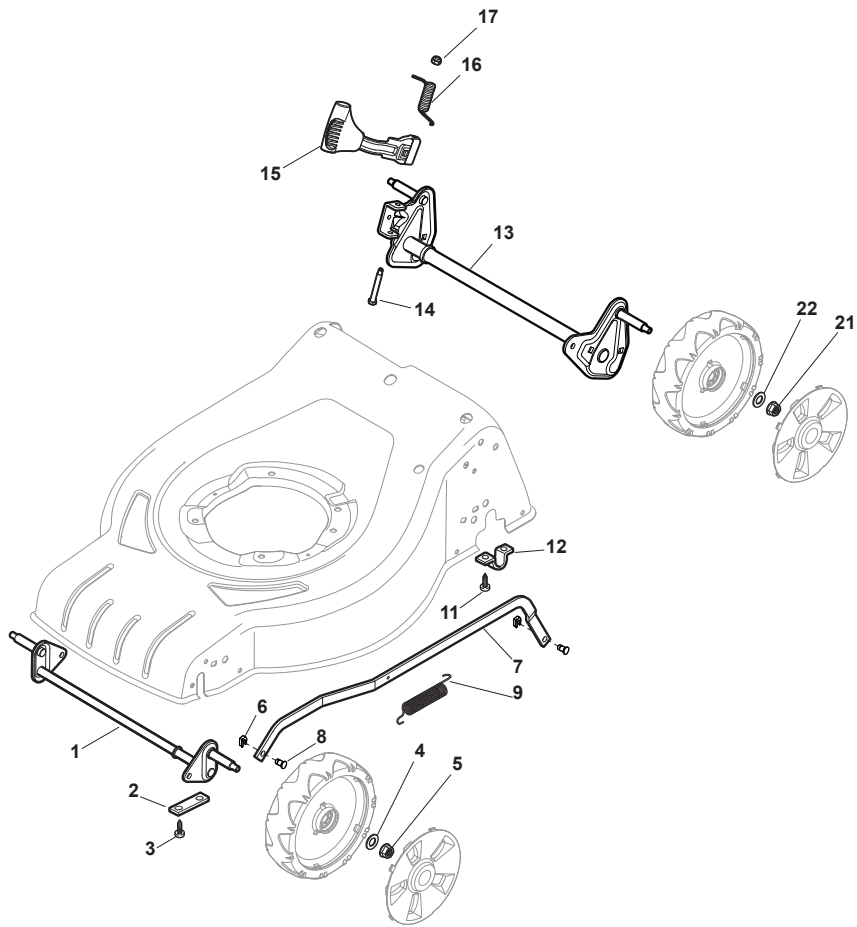
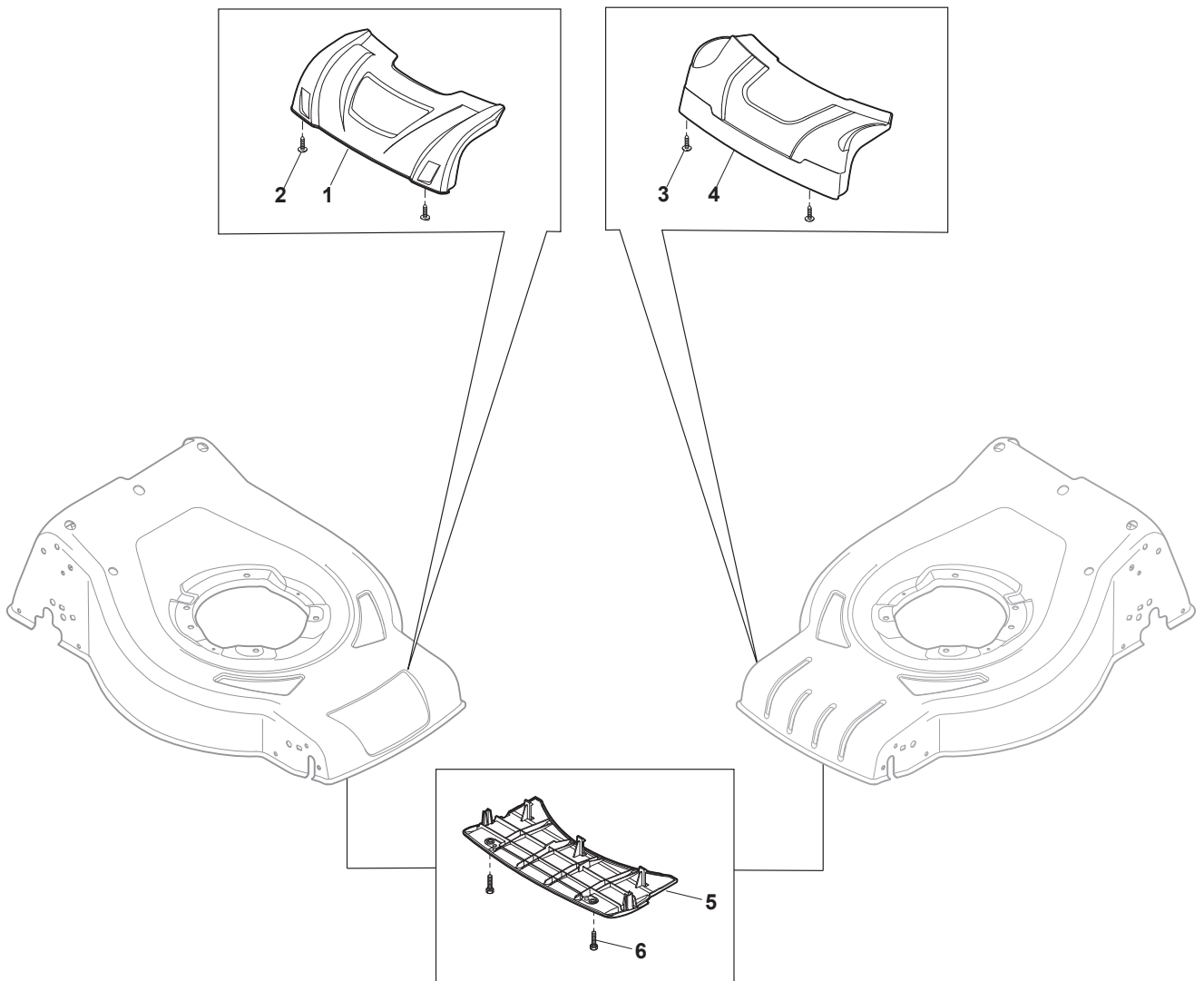


Fig.	Quantity	Part No	Description	Notes
1	1	381302821/0	Front Wheel Axle	
2	2	322545142/0	Plate	
3	4	112728698/0	Screw	
4	2	112521350/0	Washer	
5	2	112155000/0	Nut	
6	2	112436051/0	Plate	
7	1	322869671/0	Rod, Height Adjustment)	
8	2	122519820/0	Pin	
9	1	122446193/0	Spring	
11	4	112728698/0	Screw	
12	2	322545152/0	Plate	
13	1	381302843/0	Front Wheel Axle	
14	1	122534131/0	Pin	
15	1	381003356/0	Wheels Rear Adj. Lever	
16	1	122446192/0	Spring	
17	1	112154510/0	Nut	
21	2	112521350/0	Washer	
22	2	112155000/0	Nut	



CRL-CSL 480 - CRL-CSL 480 Q

WBH Electric steel Mask

Issue 7 - 2015

Fig.	Quantity	Part No	Description	Notes
1	1	322226168/0	Mask, Black	
2	2	112728698/0	Screw	
3	2	112728698/0	Screw	
4	1	322226170/0	Mask, Black	
5	1	322500106/0	Front Combi	
6	2	112728698/0	Screw	

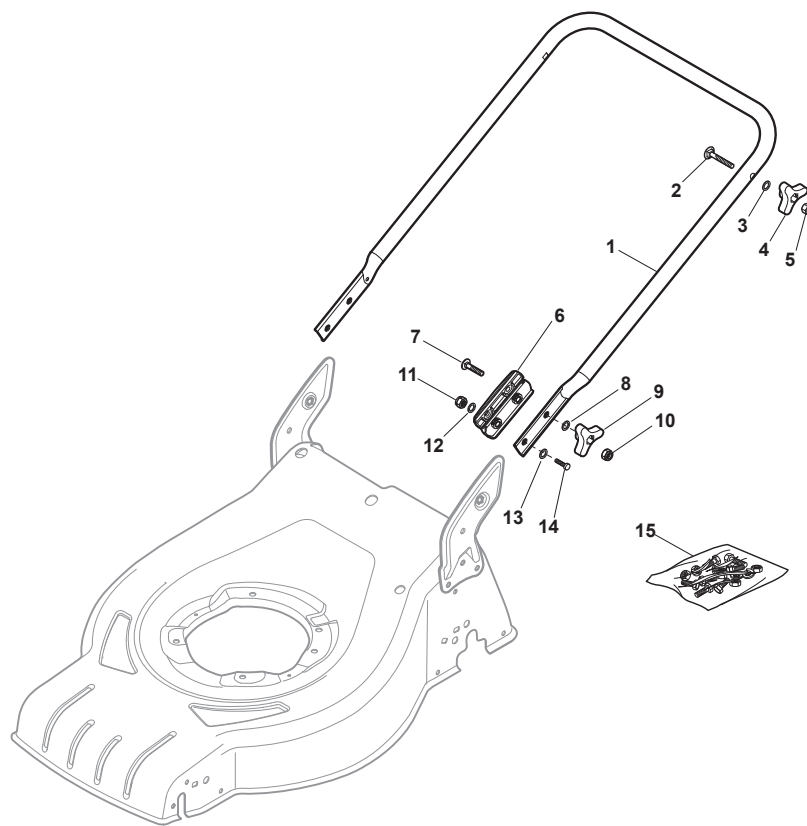


Fig.	Quantity	Part No	Description	Notes
2	2	112819110/0	Screw	
3	2	112523060/0	Washer	
4	2	122399900/0	Knob	Black
4	2	322399840/0	Yellow Knob	Yellow
5	2	112293200/0	Nut	
6	2	322551582/0	Inside Plaque Insulation	
7	2	112819110/0	Screw	
8	2	112523060/0	Washer	
9	2	122399900/0	Knob	Black
9	2	322399840/0	Yellow Knob	Yellow
10	2	112293200/0	Nut	
11	2	112155000/0	Nut	
12	2	112521350/0	Washer	
13	2	112521350/0	Washer	
14	2	112793701/0	Screw	
15	1	381008698/0	Outfit, Screws	Black
15	1	381008699/0	Outfit, Screws	Yellow
1	1	381006735/0	Handle Lower Part	

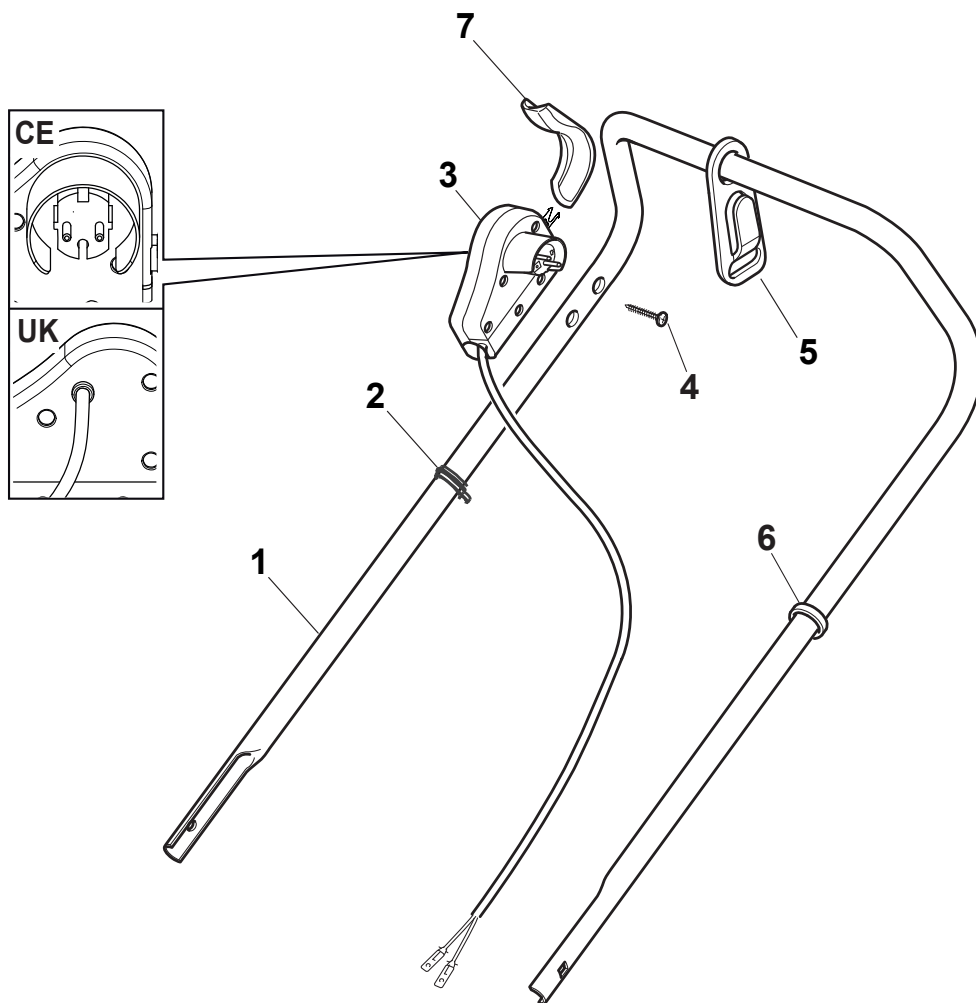


Fig.	Quantity	Part No	Description	Notes
1	1	381007017/2	Handle, Upper Part	
2	2	122192000/1	Clamp	
3	1	381600547/0	Dead Hand Switch CE	CE plugg
3	1	381600548/0	Dead Hand Switch UK	UK plugg
4	2	112728701/0	Screw	
5	1	322195101/4	Fairlead	
6	1	122192151/0	Fairlead Holder Clamp	
7	1	322319529/0	Leva Salvamotore	
CE	1	381600547/0	Dead Hand Switch CE	
UK	1	381600548/0	Dead Hand Switch UK	

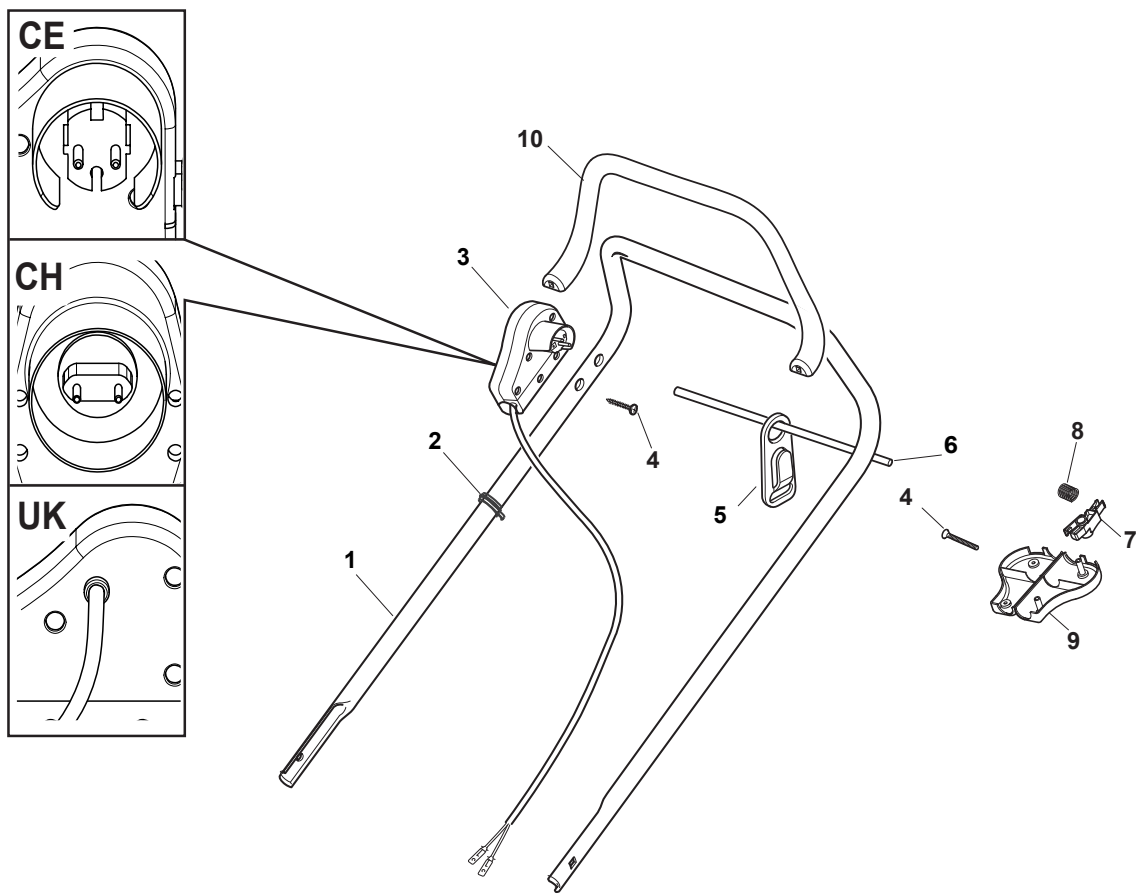
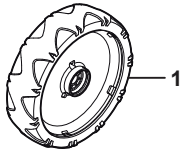


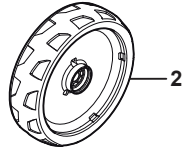
Fig.	Quantity	Part No	Description	Notes
3	1	381600548/0	Dead Hand Switch UK	UK plugg
3	1	381600547/0	Dead Hand Switch CE	CE plugg
1	1	381007017/2	Handle, Upper Part	
2	2	122192000/1	Clamp	
4	4	112728701/0	Screw	
5	1	322195101/4	Fairlead	
6	1	122010251/0	Hook	
7	1	322230350/1	Left Fulcrum	
8	1	122450115/0	Spring	
9	1	322785144/1	Support	
10	1	322322881/1	Lever, Engine Brake Black	
10	1	322322884/1	Lever, Engine Brake Red	
10	1	322322885/1	Lever, Engine Brake Yellow	
CE	1	381600547/0	Dead Hand Switch CE	
UK	1	381600548/0	Dead Hand Switch UK	

PIVOT Version - Ø 180

CRUISER Wheels

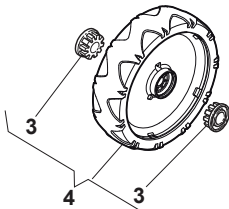


DELTA Wheels

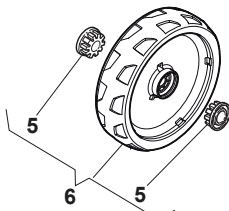


BUSHING Version - Ø 180

CRUISER Wheels

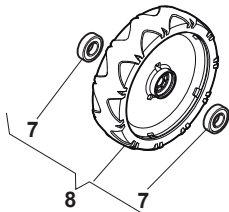


DELTA Wheels

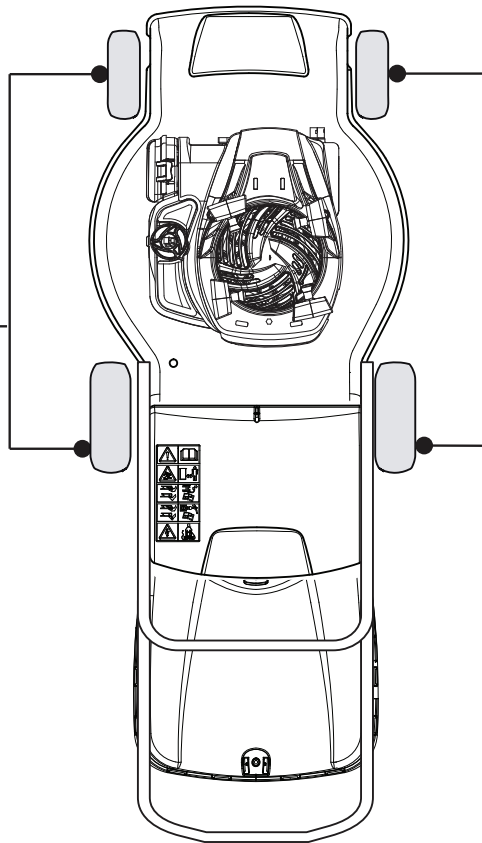
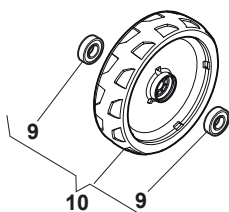


BALL BEARING Version - Ø 180

CRUISER Wheels

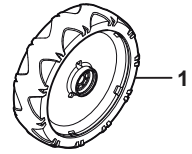


DELTA Wheels

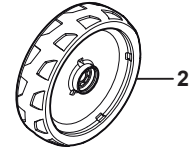


PIVOT Version - Ø 180

CRUISER Wheels

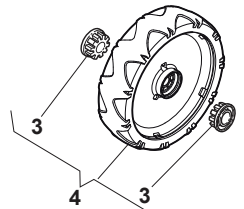


DELTA Wheels

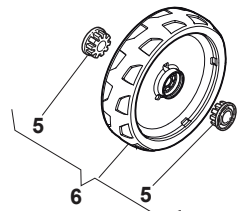


BUSHING Version - Ø 180

CRUISER Wheels

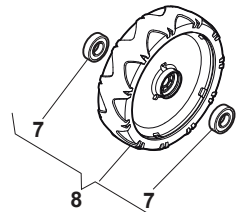


DELTA Wheels



BALL BEARING Version - Ø 180

CRUISER Wheels



DELTA Wheels

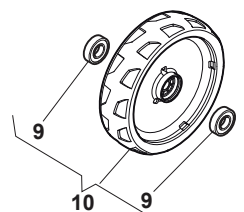
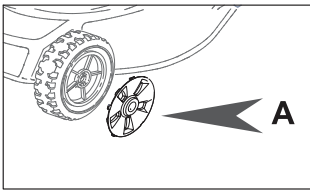
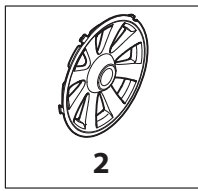


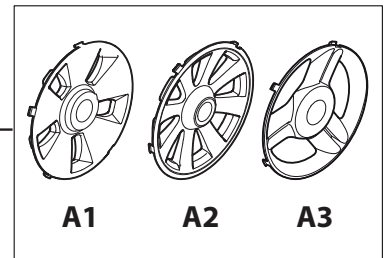
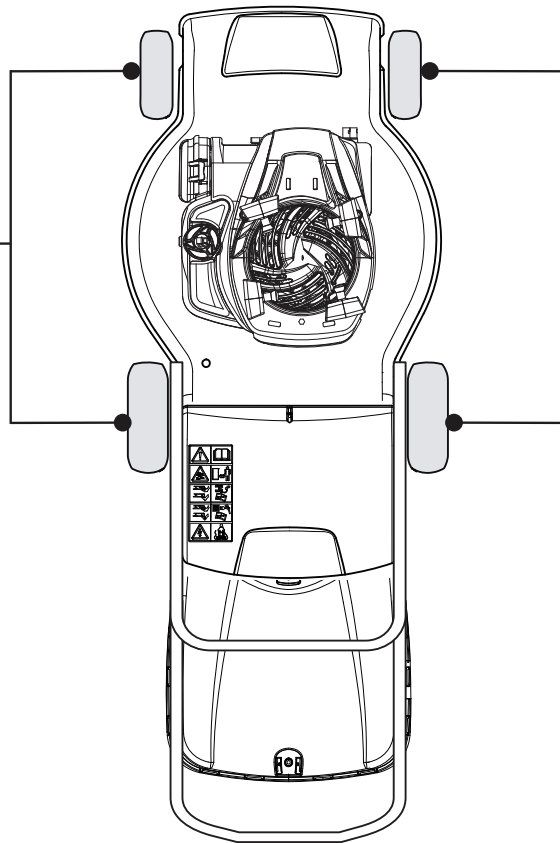
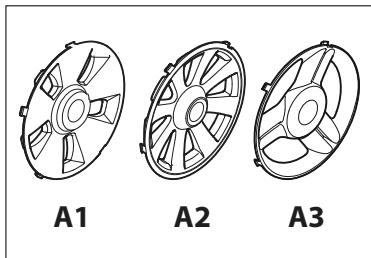
Fig.	Quantity	Part No	Description	Notes
1	4	381007440/1	Wheel	
2	4	381007438/1	Wheel	
3	4	322042064/0	Bushing	
4	4	381007444/1	Wheel	
5	4	322042064/0	Bushing	
6	4	381007442/1	Wheel	
7	4	119216035/0	Bearing	
8	4	381007450/1	Wheel	
9	4	119216035/0	Bearing	
10	4	381007448/1	Wheel	



+



= A2



CRL-CSL 480 - CRL-CSL 480 Q

WBH Electric steel Wheelcaps

Issue 7 - 2015

Fig.	Quantity	Part No	Description	Notes
A1	4	322110636/0	Hub Cap Grey	
A2	4	322110638/0	Hub Cap Grey	
A2	4	322110647/0	Hub Cap Yellow	
A3	4	322110687/0	Hub Cap Grey	

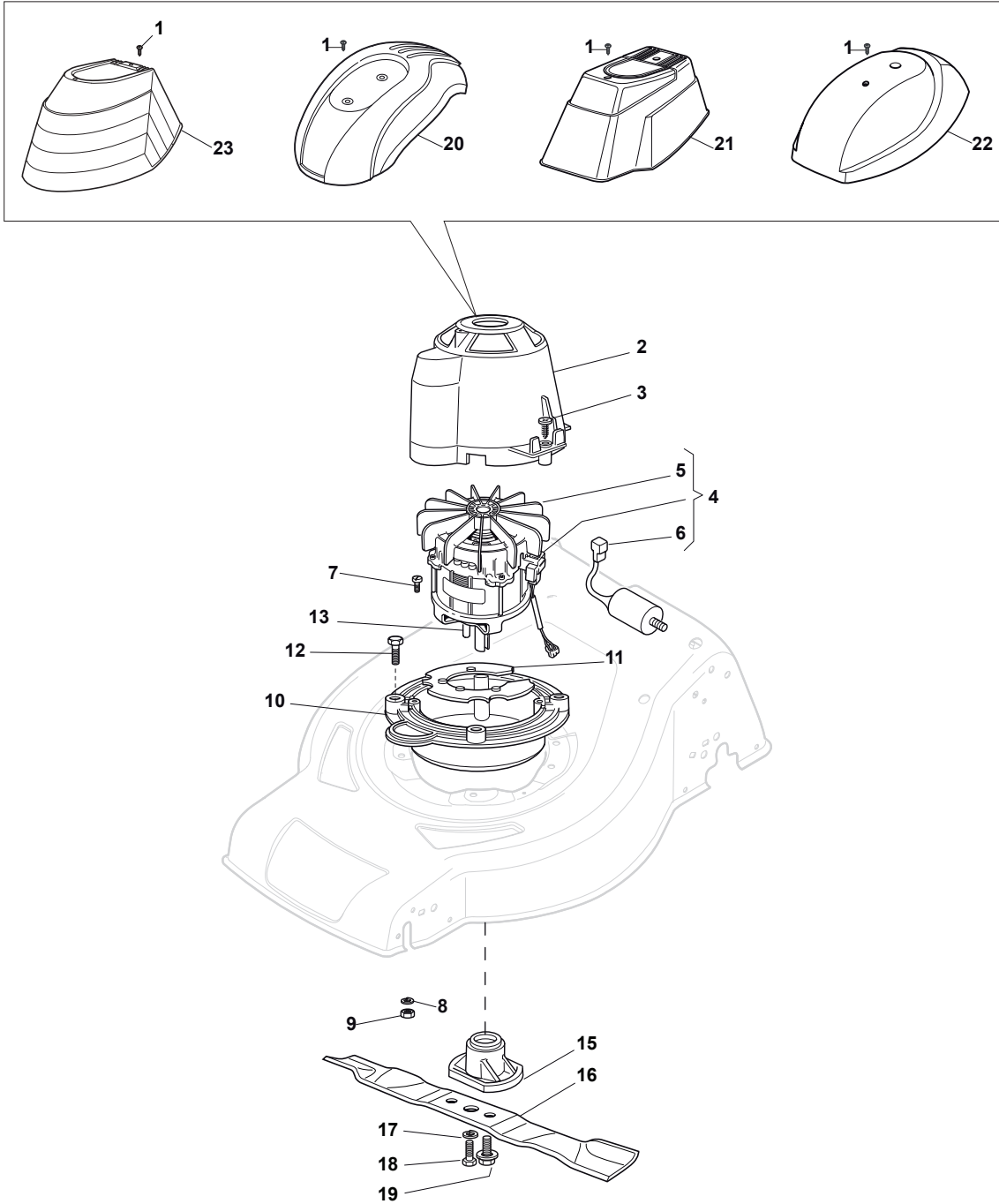


Fig.	Quantity	Part No	Description	Notes
1	2	112728680/0	Screw	
2	1	322785210/0	Cover Support	
3	4	112728710/0	Screw	
4	1	118563605/0	Electric Motor 1600W	240V (1600W)
4	1	118563640/0	Electric Motor 1800W	230V (1800W)
5	1	118740054/0	Fan Motor Atb	
6	1	118222039/0	Condenser	
6	1	118222045/0	Condenser 16 µf	
7	4	112735410/0	Screw	
8	4	112583500/0	Grower	
9	4	112293200/0	Nut	
10	1	322207211/4	Electrical Motor Flange	
10	1	322207216/0	Flange	
11	1	322720360/2	Ventilation Screen	
12	4	112793700/0	Screw	
13	1	112139440/0	Key	
15	1	322463186/3	Blade Hub	
16	1	181004346/3	Blade	
16	1	181004397/0	Blade Winged	
17	2	112583500/0	Grower	
18	2	112793101/0	Screw	
19	1	381004352/1	Screw	
20	1	122055065/0	Electric Lawnmowers Ciao Cover Black	
21	1	122055045/1	Cover, Black	
21	1	322055139/0	Cover, Yellow	
22	1	122055058/0	Cover, Black	
23	1	122055033/1	Engine Cover	

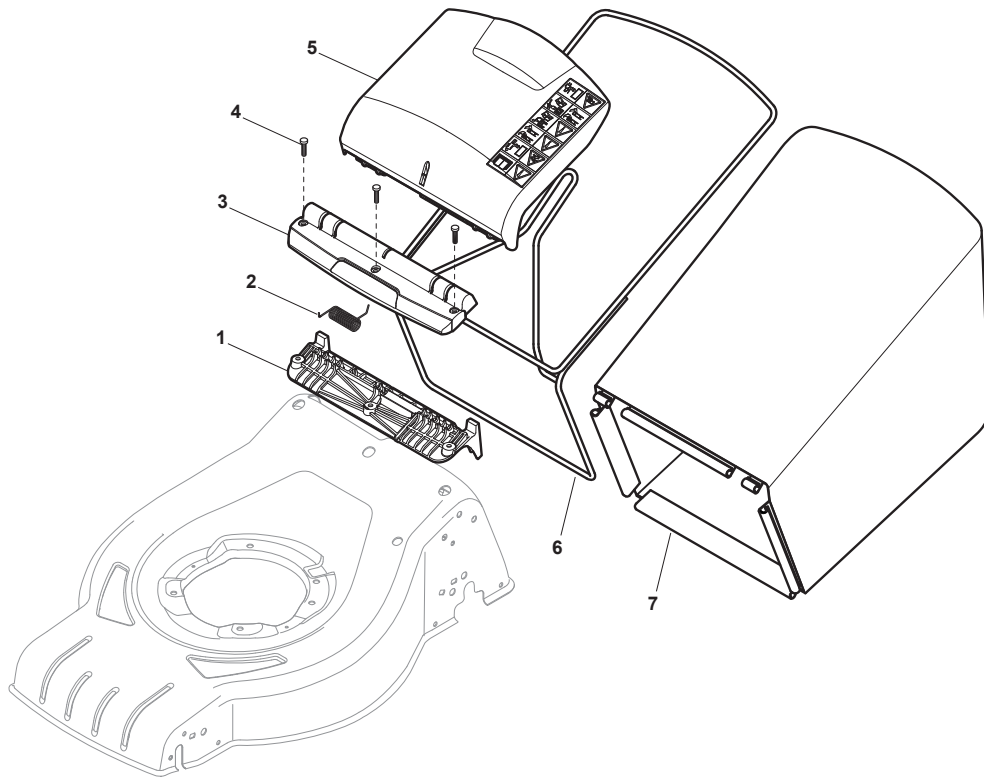


Fig.	Quantity	Part No	Description	Notes
1	1	322785331/0	Black Stone Guard Support	
2	1	122450464/0	Spring	
3	1	322109554/0	Stone Guard Supp. Cover Black	Black
3	1	322109557/0	Stone Guard Supp. Cover Grey	Grey
3	1	322109556/0	Stone Guard Supp. Cover Yellow	Yellow
4	3	112728699/0	Screw	
5	1	322600216/1	Stone Guard, Grey	
5	1	322600214/1	Stone Guard, Yellow	
5	1	322600206/1	Stone Guard, Black	Black
6	1	181006409/0	Textile Grasscatcher Frame	
7	1	181002319/0	Textile Grasscatcher Black	

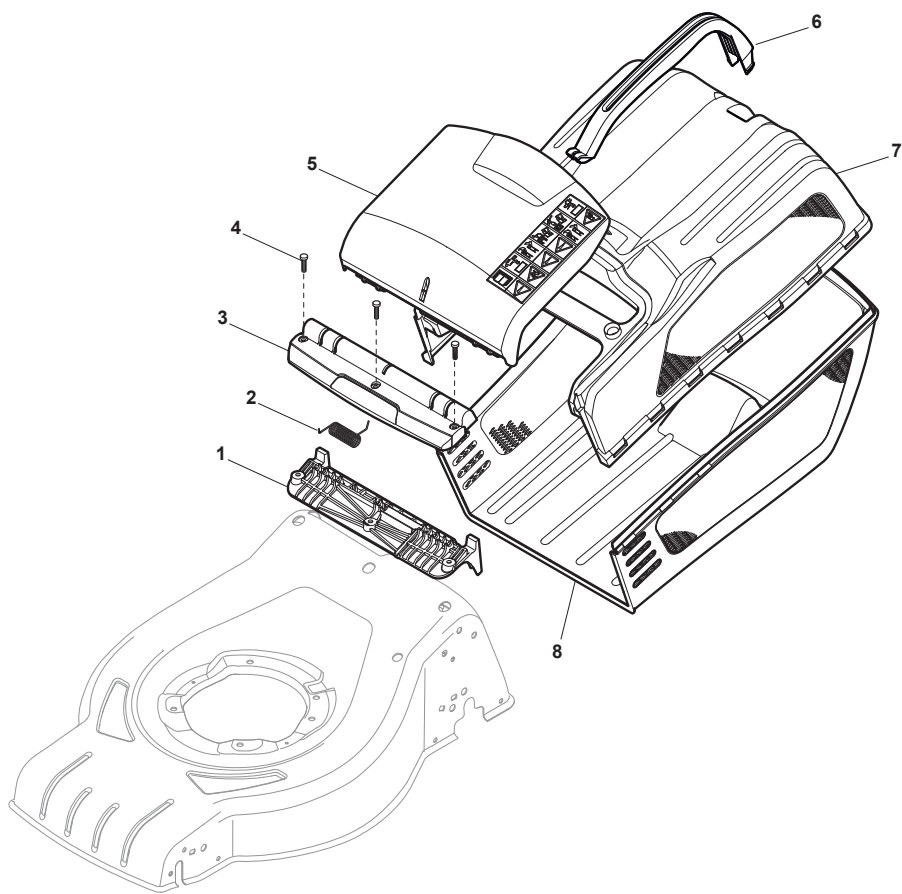


Fig.	Quantity	Part No	Description	Notes
1	1	322785331/0	Black Stone Guard Support	
2	1	122450464/0	Spring	
3	1	322109554/0	Stone Guard Supp. Cover Black	Black
3	1	322109557/0	Stone Guard Supp. Cover Grey	Grey
3	1	322109556/0	Stone Guard Supp. Cover Yellow	Yellow
4	3	112728699/0	Screw	
5	1	322600206/1	Stone Guard, Black	Black
5	1	322600216/1	Stone Guard, Grey	Grey
5	1	322600214/1	Stone Guard, Yellow	Yellow
6	1	322393643/0	Handle, Black	Black
6	1	322393645/0	Grasscatcher Handle	Grey
6	1	322393716/0	Handle, Grey	Grey NCSS-N
7	1	322486260/0	Grasscatcher Upper Part, Black	Black
7	1	322486263/0	Grasscatcher Upper Part Grey	Grey
7	1	322486387/0	Grassbox Upper Part, Grey	Grey NCSS-N
8	1	322486261/0	Grasscatcher Lower Part, Black	Black
8	1	322486267/0	Grasscatcher Lower Part Grey	Grey
8	1	322486388/0	Grassbox Lower Part, Grey	Grey NCSS-N

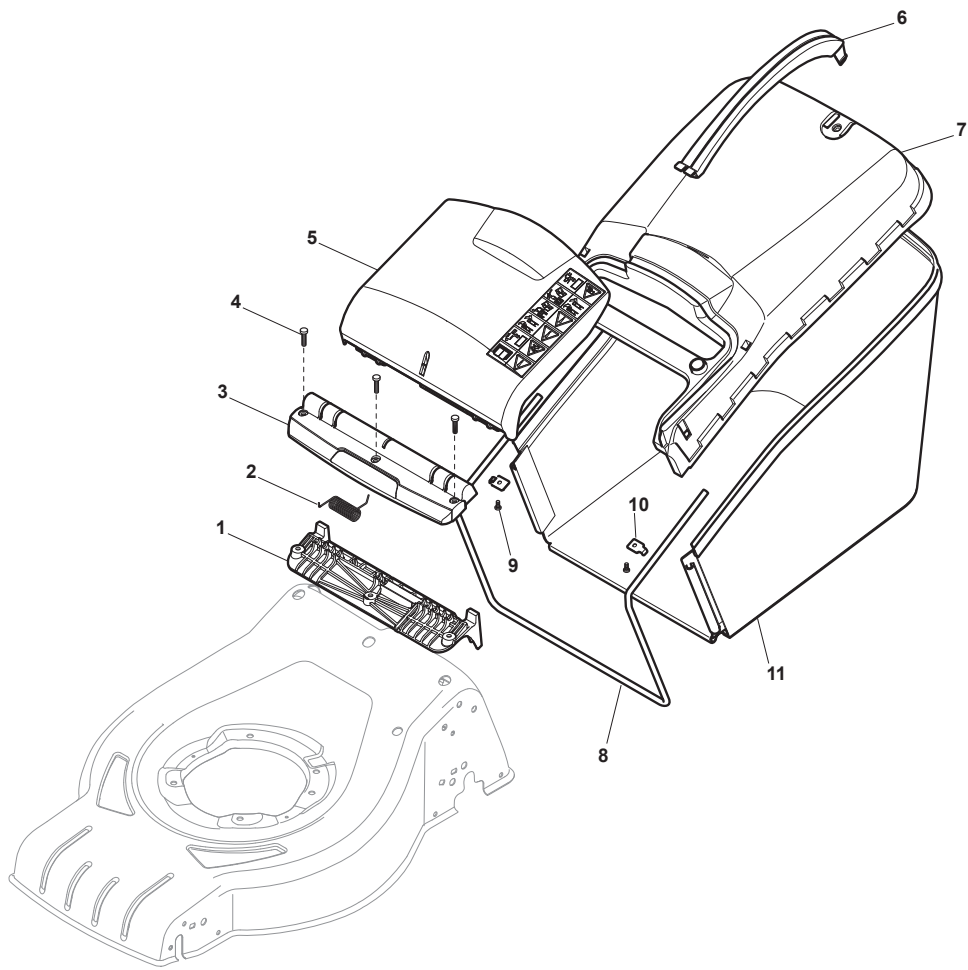


Fig.	Quantity	Part No	Description	Notes
1	1	322785331/0	Black Stone Guard Support	
10	2	322545159/0	Plate	
11	1	181002318/0	Box, Fabric	
2	1	122450464/0	Spring	
3	1	322109554/0	Stone Guard Supp. Cover Black	Black
3	1	322109557/0	Stone Guard Supp. Cover Grey	Grey
3	1	322109556/0	Stone Guard Supp. Cover Yellow	Yellow
4	3	112728699/0	Screw	
5	1	322600206/1	Stone Guard, Black	Black
5	1	322600216/1	Stone Guard, Grey	Grey
5	1	322600214/1	Stone Guard, Yellow	Yellow
6	1	322393644/0	Handle, Black	Black
6	1	322393649/0	Handle, Grey	Grey
6	1	322393646/0	Handle, Yellow	Yellow
7	7	322486262/0	Grasscatcher Upper Part, Black	Black
7	1	322486270/0	Grass Upper Hybrid Grey	Grey
7	1	322486264/0	Grass Upper Hybrid Yellow	Yellow
8	1	122608561/0	Grasscatcher Lower Stiffening Cruiser	
9	2	112728692/0	Screw	

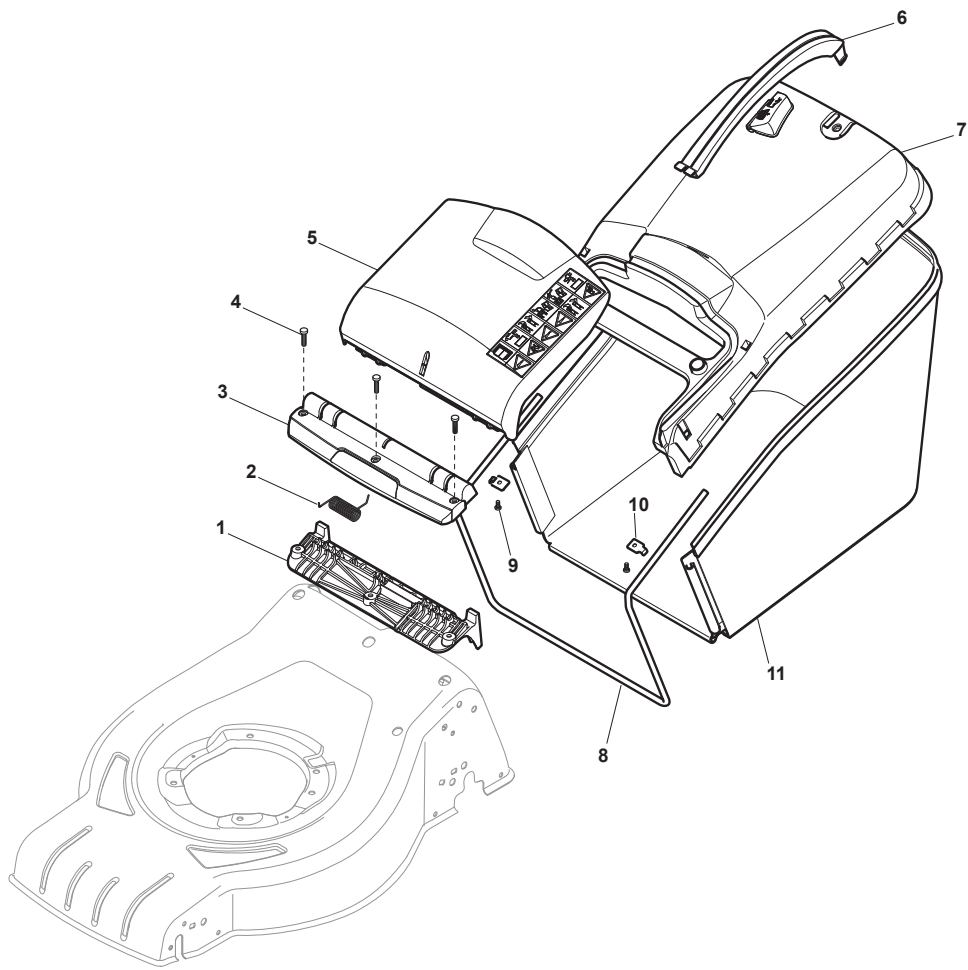


Fig.	Quantity	Part No	Description	Notes
1	1	322785331/0	Black Stone Guard Support	
10	2	322545159/0	Plate	
11	1	181002318/0	Box, Fabric	
2	1	122450464/0	Spring	
3	1	322109554/0	Stone Guard Supp. Cover Black	Black
3	1	322109556/0	Stone Guard Supp. Cover Yellow	Yellow
4	3	112728699/0	Screw	
5	1	322600206/1	Stone Guard, Black	Black
5	1	322600214/1	Stone Guard, Yellow	Yellow
6	1	322393644/0	Handle, Black	Black
6	1	322393715/0	Handle, Grey	Grey NCSS-N
6	1	322393646/0	Handle, Yellow	Yellow
7	1	381486018/0	Grass-Box, Upper Part Black	Black
7	1	381486016/0A	Grass-Box, Upper Part Yellow	Yellow
8	1	122608561/0	Grasscatcher Lower Stiffening Cruiser	
9	2	112728692/0	Screw	

112139440/0	13	1	p. 21	122450464/0	2	1	p. 23	322486263/0	7	1	p. 25
112154510/0	17	1	p. 7	122450464/0	2	1	p. 25	322486264/0	7	1	p. 27
112155000/0	5	2	p. 7	122450464/0	2	1	p. 27	322486267/0	8	1	p. 25
112155000/0	11	2	p. 11	122450464/0	2	1	p. 29	322486270/0	7	1	p. 27
112155000/0	22	2	p. 7	122519820/0	8	2	p. 7	322486387/0	7	1	p. 25
112293200/0	5	2	p. 11	122534131/0	14	1	p. 7	322486388/0	8	1	p. 25
112293200/0	9	4	p. 21	122608561/0	8	1	p. 27	322500106/0	5	1	p. 9
112293200/0	10	2	p. 11	122608561/0	8	1	p. 29	322545142/0	2	2	p. 7
112436051/0	6	2	p. 7	181002318/0	11	1	p. 27	322545152/0	12	2	p. 7
112521350/0	4	2	p. 7	181002318/0	11	1	p. 29	322545159/0	10	2	p. 27
112521350/0	12	2	p. 11	181002319/0	7	1	p. 23	322545159/0	10	2	p. 29
112521350/0	13	2	p. 11	181004346/3	16	1	p. 21	322545213/0	6	2	p. 3
112521350/0	21	2	p. 7	181004397/0	16	1	p. 21	322545213/0	6	2	p. 5
112523060/0	3	2	p. 11	181006409/0	6	1	p. 23	322551582/0	6	2	p. 11
112523060/0	8	2	p. 11	322042064/0	3	4	p. 17	322600206/1	5	1	p. 23
112583500/0	8	4	p. 21	322042064/0	5	4	p. 17	322600206/1	5	1	p. 25
112583500/0	17	2	p. 21	322055139/0	21	1	p. 21	322600206/1	5	1	p. 27
112727801/0	8	6	p. 3	322060242/0	10	1	p. 3	322600206/1	5	1	p. 29
112727801/0	8	6	p. 5	322060242/0	10	1	p. 5	322600214/1	5	1	p. 23
112728530/0	12	2	p. 3	322108301/1	2	1	p. 3	322600214/1	5	1	p. 25
112728530/0	12	2	p. 5	322108301/1	2	1	p. 5	322600214/1	5	1	p. 27
112728680/0	1	2	p. 21	322108302/0	4	1	p. 3	322600214/1	5	1	p. 29
112728692/0	9	2	p. 27	322108302/0	4	1	p. 5	322600216/1	5	1	p. 23
112728692/0	9	2	p. 29	322109554/0	3	1	p. 23	322600216/1	5	1	p. 25
112728698/0	2	2	p. 9	322109554/0	3	1	p. 25	322600216/1	5	1	p. 27
112728698/0	3	2	p. 9	322109554/0	3	1	p. 27	322720360/2	11	1	p. 21
112728698/0	3	4	p. 7	322109554/0	3	1	p. 29	322785144/1	9	1	p. 15
112728698/0	6	2	p. 9	322109556/0	3	1	p. 23	322785210/0	2	1	p. 21
112728698/0	11	4	p. 7	322109556/0	3	1	p. 25	322785331/0	1	1	p. 23
112728699/0	3	6	p. 3	322109556/0	3	1	p. 27	322785331/0	1	1	p. 25
112728699/0	3	6	p. 5	322109556/0	3	1	p. 29	322785331/0	1	1	p. 27
112728699/0	4	3	p. 23	322109557/0	3	1	p. 23	322785331/0	1	1	p. 29
112728699/0	4	3	p. 25	322109557/0	3	1	p. 25	322869671/0	7	1	p. 7
112728699/0	4	3	p. 27	322109557/0	3	1	p. 27	381003356/0	15	1	p. 7
112728699/0	4	3	p. 29	322110636/0	A1	4	p. 19	381004018/0	1	1	p. 3
112728699/0	5	6	p. 3	322110638/0	A2	4	p. 19	381004020/0	1	1	p. 5
112728699/0	5	6	p. 5	322110647/0	A2	4	p. 19	381004024/0	1	1	p. 3
112728701/0	4	2	p. 13	322110687/0	A3	4	p. 19	381004051/0	1	1	p. 5
112728701/0	4	4	p. 15	322140239/0	11	1	p. 3	381004352/1	19	1	p. 21
112728710/0	3	4	p. 21	322140239/0	11	1	p. 5	381004729/0	1	1	p. 3
112735410/0	7	4	p. 21	322195101/4	5	1	p. 13	381005137/0	9	1	p. 3
112793101/0	18	2	p. 21	322195101/4	5	1	p. 15	381005137/0	9	1	p. 5
112793700/0	12	4	p. 21	322207211/4	10	1	p. 21	381005139/0	7	1	p. 3
112793701/0	14	2	p. 11	322207216/0	10	1	p. 21	381005139/0	7	1	p. 5
112819110/0	2	2	p. 11	322226168/0	1	1	p. 9	381006735/0	1	1	p. 11
112819110/0	7	2	p. 11	322226170/0	4	1	p. 9	381007017/2	1	1	p. 13
118222039/0	6	1	p. 21	322230350/1	7	1	p. 15	381007017/2	1	1	p. 15
118222045/0	6	1	p. 21	322319529/0	7	1	p. 13	381007438/1	2	4	p. 17
118563605/0	4	1	p. 21	322322881/1	10	1	p. 15	381007440/1	1	4	p. 17
118563640/0	4	1	p. 21	322322884/1	10	1	p. 15	381007442/1	6	4	p. 17
118740054/0	5	1	p. 21	322322885/1	10	1	p. 15	381007444/1	4	4	p. 17
119216035/0	7	4	p. 17	322393643/0	6	1	p. 25	381007448/1	10	4	p. 17
119216035/0	9	4	p. 17	322393644/0	6	1	p. 27	381007450/1	8	4	p. 17
122010251/0	6	1	p. 15	322393644/0	6	1	p. 29	381008698/0	15	1	p. 11
122055033/1	23	1	p. 21	322393645/0	6	1	p. 25	381008699/0	15	1	p. 11
122055045/1	21	1	p. 21	322393646/0	6	1	p. 27	381302821/0	1	1	p. 7
122055058/0	22	1	p. 21	322393646/0	6	1	p. 29	381302843/0	13	1	p. 7
122055065/0	20	1	p. 21	322393649/0	6	1	p. 27	381486016/0A	7	1	p. 29
122192000/1	2	2	p. 13	322393715/0	6	1	p. 29	381486018/0	7	1	p. 29
122192000/1	2	2	p. 15	322393716/0	6	1	p. 25	381600547/0	3	1	p. 13
122192151/0	6	1	p. 13	322399840/0	4	2	p. 11	381600547/0	3	1	p. 15
122399900/0	4	2	p. 11	322399840/0	9	2	p. 11	381600547/0	CE	1	p. 13
122399900/0	9	2	p. 11	322463186/3	15	1	p. 21	381600547/0	CE	1	p. 15
122446192/0	16	1	p. 7	322486260/0	7	1	p. 25	381600548/0	3	1	p. 13
122446193/0	9	1	p. 7	322486261/0	8	1	p. 25	381600548/0	3	1	p. 15
122450115/0	8	1	p. 15	322486262/0	7	7	p. 27	381600548/0	UK	1	p. 13

381600548/0 UK 1 p. 15