

# Parts Catalogue

for model  
**MP1 504 WSV**

- Use GLOBAL GARDEN PRODUCT Genuine Spare Parts specified in the parts list for repair and/or replacement.
- The contents described in the parts list may change due to improvement.
- The drawings of the spare parts are only indicative and might not represent the part in question exactly.
- The indications "right" - "left" - "front" - "rear" refer to the position of the operator when using the machine.
- When placing orders of parts for repair and/or replacement, make sure that the illustrated parts list is the one applying to the machine's year of manufacture, as shown on the identification plate attached to the machine.

© Copyright 2015 Global Garden Products

All content is subject to copyright by Global Garden Products and may not be reproduced in whole or in part by any means, electronic or otherwise, without prior written approval.

THIS INFORMATION IS NOT INTENDED FOR SALE OR RESALE, AND THIS NOTICE MUST REMAIN ON ALL COPIES.



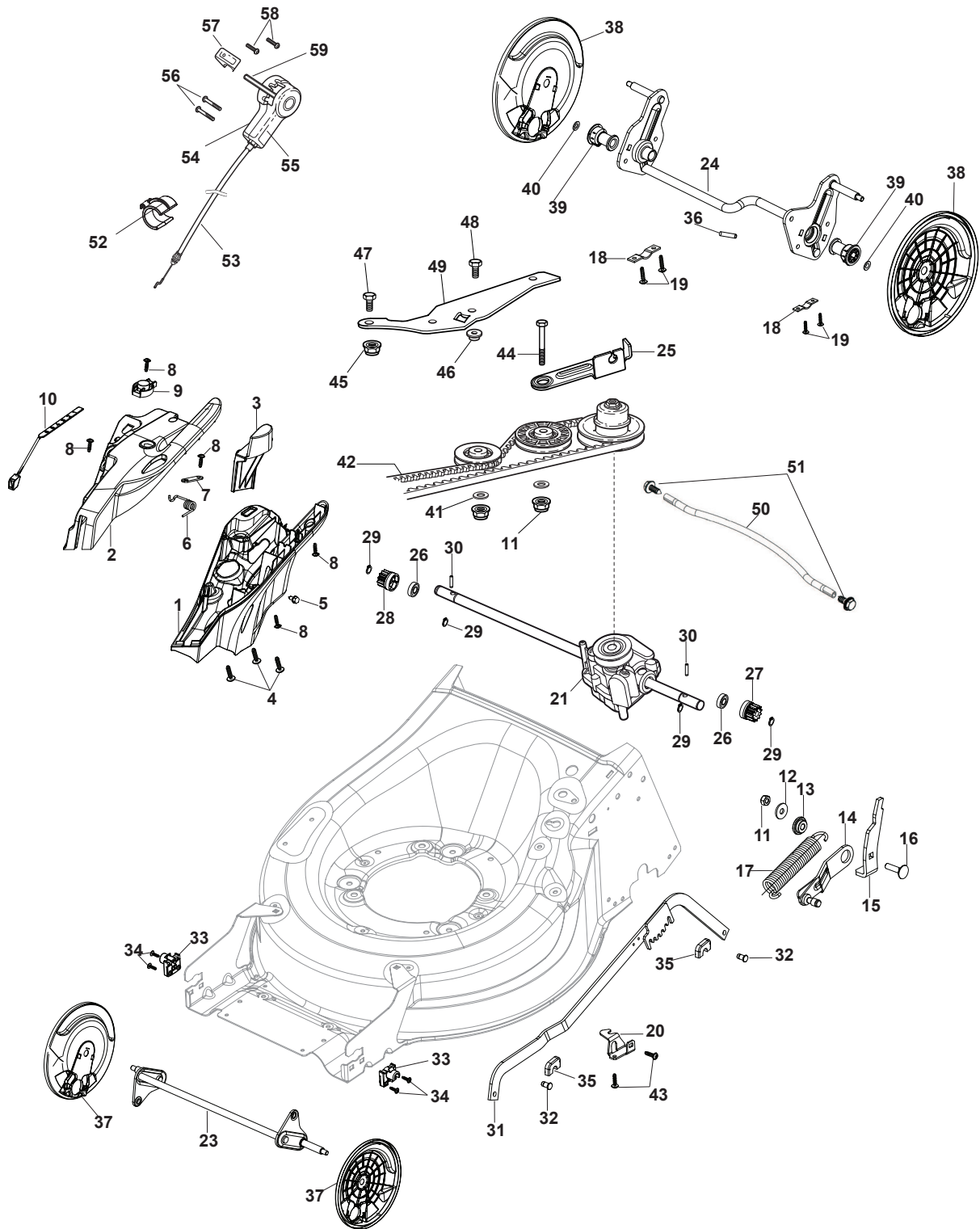


Fig.	Quantity	Part No	Description	Notes
1	1	322055262/0	Lower Cover	
2	1	322055263/0	Upper Cover	
3	1	322602026/0	Button	
4	5	112728699/0	Screw	
5	1	125943004/0	Screw	
6	1	122450477/0	Spring	
7	1	322981471/1	Plate	
8	5	112728697/0	Screw	
9	1	322602027/0	Lens	
10	1	322602028/0	Visualizer	
11	1	112154510/0	Nut	
12	1	112523040/0	Washer	
13	1	122517873/0	Pin	
14	1	381003475/0	Lever, Height Adjustment	
15	1	322778475/0	Bracket	
16	1	112815270/0	Screw	
17	1	122450480/0	Spring	
18	2	322545152/0	Plate	
19	4	112728698/0	Screw	
20	1	322778477/0	Support	
21	1	181003116/0	Gear Box	
23	1	381302881/0	Front Wheel Axle	
24	1	381302891/0	Rear Wheel Axle	
25	1	322806647/0	Bracket	
26	2	119216035/0	Bearing	
27	1	122570110/1	Pinion Right	
28	1	122570120/1	Pinion Left	
29	4	112608600/0	Seeger	
30	2	122753000/0	Pin	
31	1	381002047/0	Wheels Control Rod	
32	2	122519820/0	Pin	
33	2	322785305/0	Support	
34	4	112728697/0	Screw	
35	2	112436051/0	Plate	
37	2	322600247/0	Protection, Wheel	
38	2	322600205/1	Protection, Wheel	
39	2	322042068/0	Bushing	
40	2	112521371/0	Washer	
41	2	112523050/0	Washer	
42	1	135064005/0	Belt	
43	5	112728704/1	Screw	
44	1	112674550/0	Screw	
45	2	112154210/0	Nut	
46	1	122671656/0	Washer	
47	2	112792611/0	Screw	
48	2	112689500/0	Screw	
49	1	322806649/0	Bracket	
50	1	322608567/0	Stiffening	
51	2	112735120/0	Screw	
52	1	118390020/0	Conduit Clip Caproeurope	
53	1	381030107/0	Cable, Speed Drive Control	

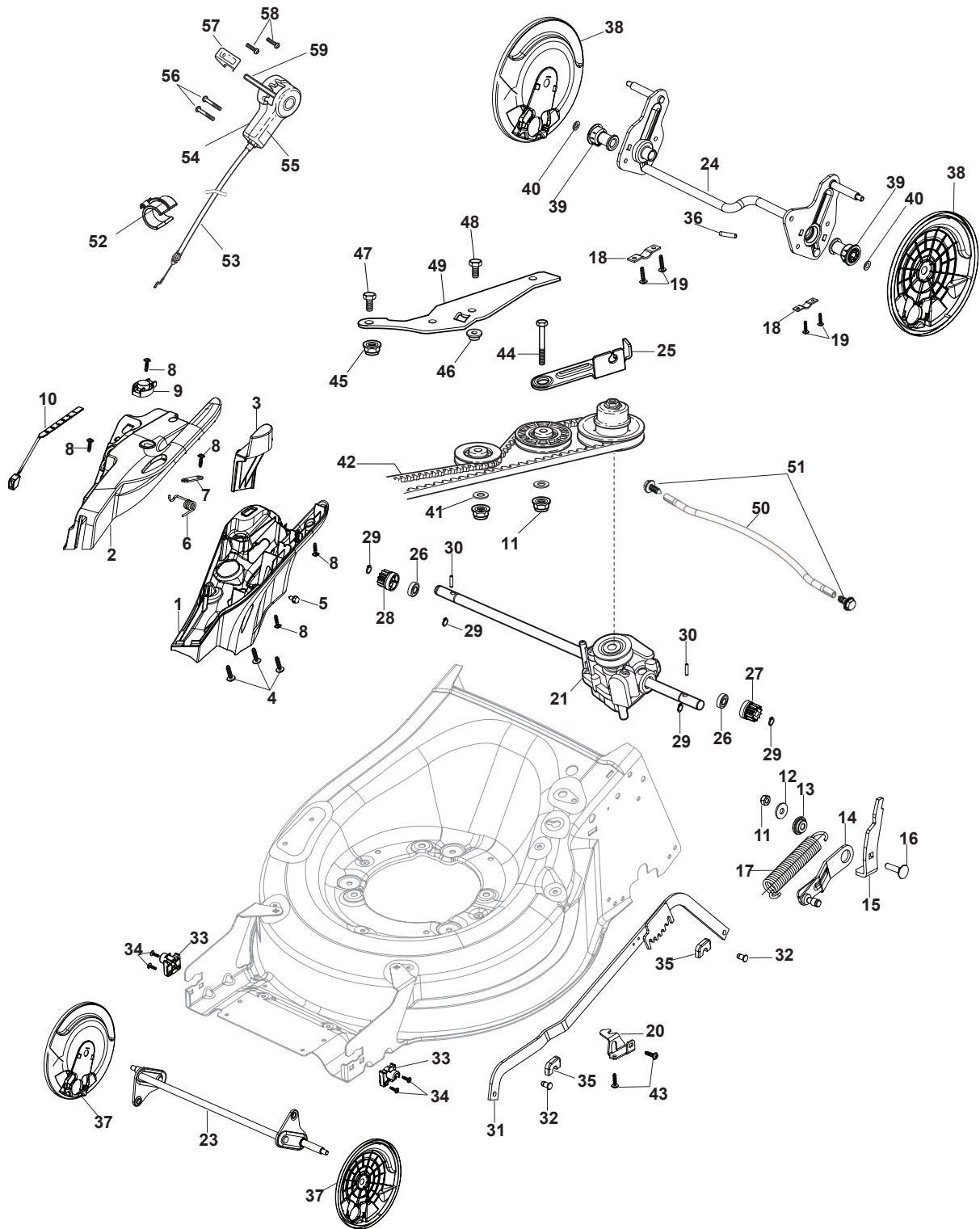


Fig.	Quantity	Part No	Description	Notes
54	1	322722802/1	Half-Shell   Starting Block inner-half	for ERGO Handle
54	1	322722807/0	Speed Control Lever Half-Bearing	for PRO Handle
55	1	322722803/0	Half-Shell	
56	2	112728702/0	Screw	
57	1	322399820/0	Knob	
58	2	112728300/0	Screw	
59	1	322319307/1	Lever, Speed Drive Control	

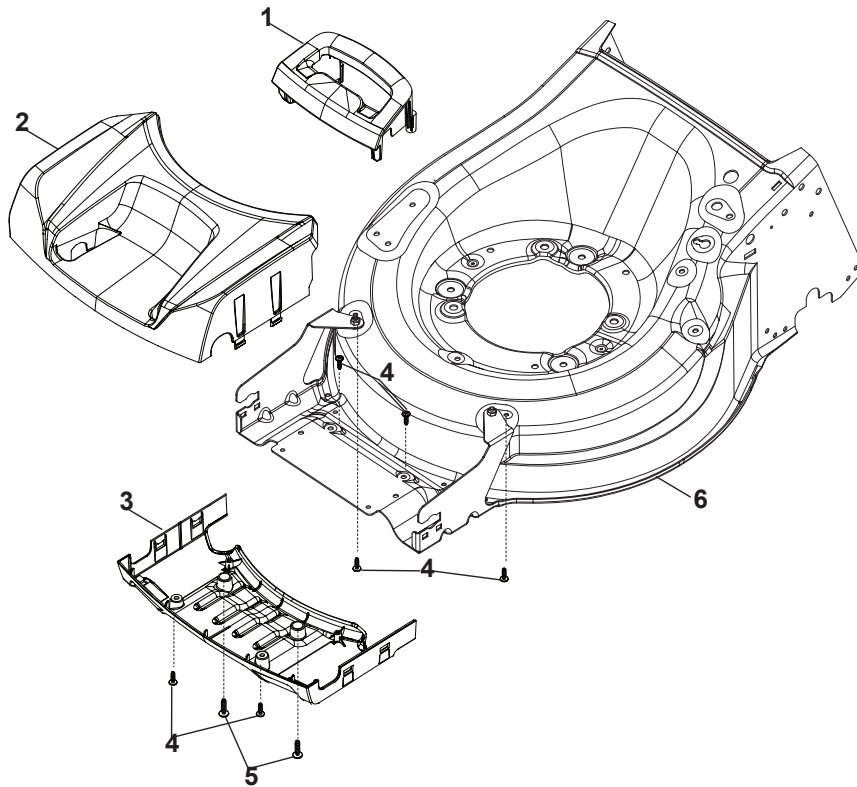


Fig.	Quantity	Part No	Description	Notes
1	1	322393741/0	Handle	
2	1	322226214/0	Mask, White	
3	1	322500110/0	Front Combi	
4	6	112728697/0	Screw	
5	2	112728699/0	Screw	
6	1	381004786/0	White Deck	

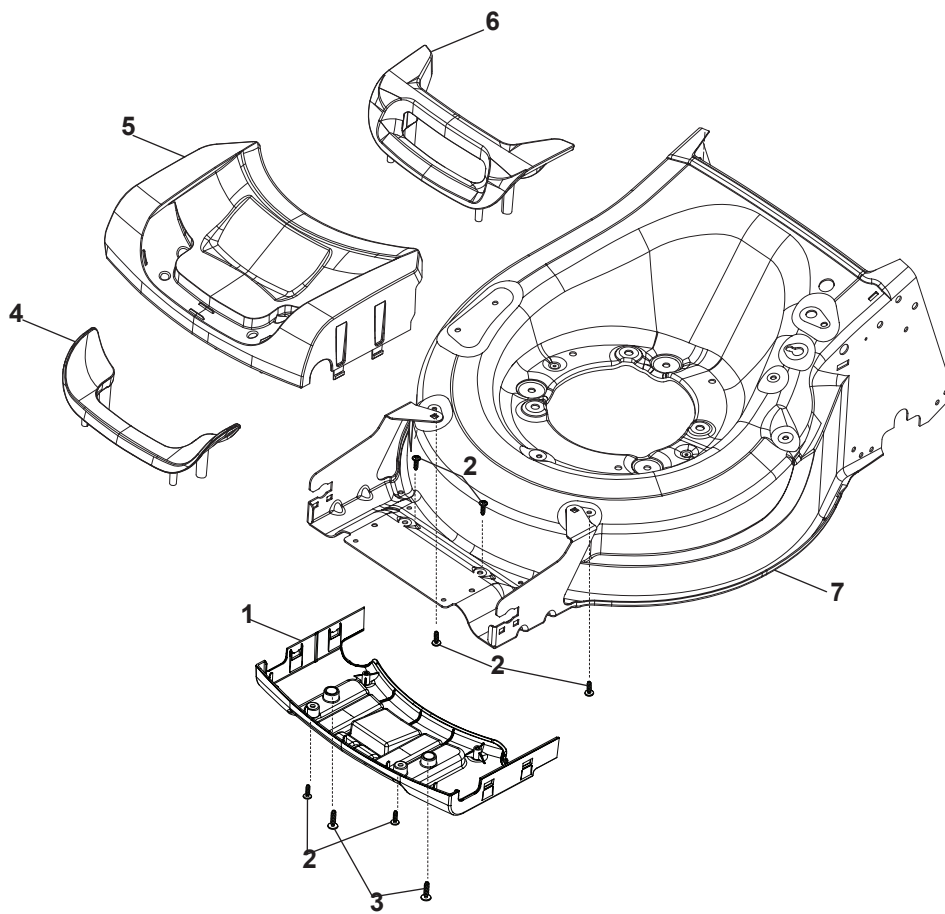




Fig.	Quantity	Part No	Description	Notes
1	1	322500111/0	Front Combi	
2	6	112728697/0	Screw	
3	2	112728699/0	Screw	
4	1	322055524/0	Insert	
5	1	322226215/0	Mask, Red	
6	1	322393742/0	Handle	
7	1	381004776/0	Red Deck	

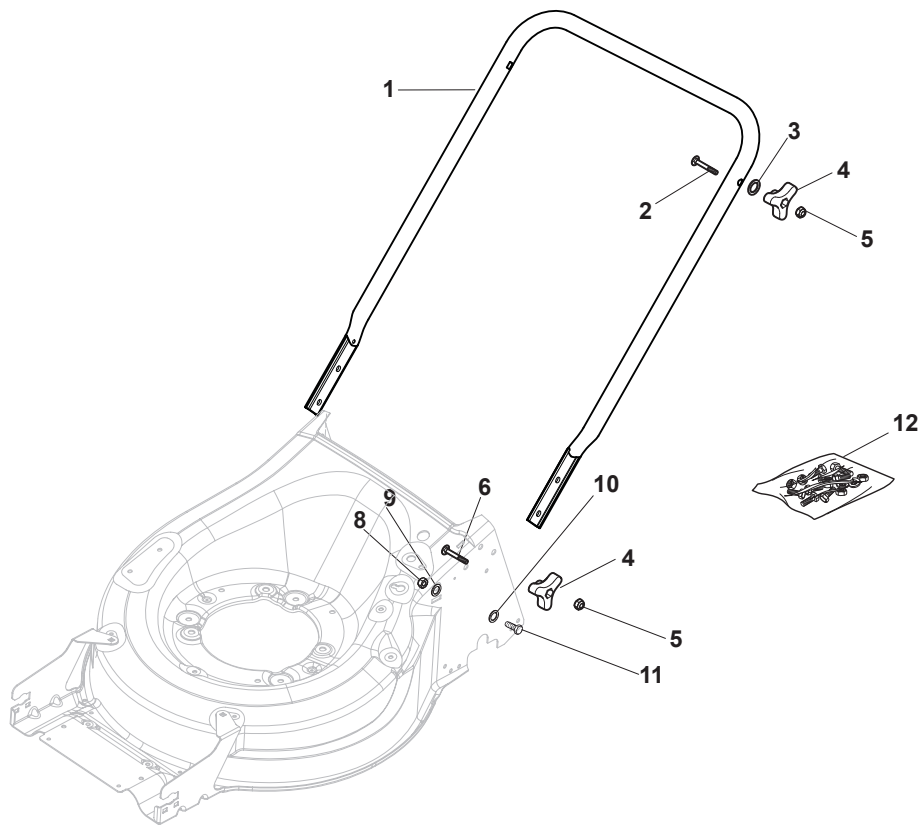


Fig.	Quantity	Part No	Description	Notes
1	1	381006785/0	Handle Lower Part	Black
2	2	112819110/0	Screw	
3	2	122671651/0	Washer	
4	2	122399900/0	Knob	
5	2	112293200/0	Nut	
6	2	112818900/0	Screw	
8	2	112155000/0	Nut	
9	2	112521350/0	Washer	
10	2	112369500/0	Elastic Washer	
11	2	112760605/0	Screw	
12	1	381008730/0	Outfit	Black

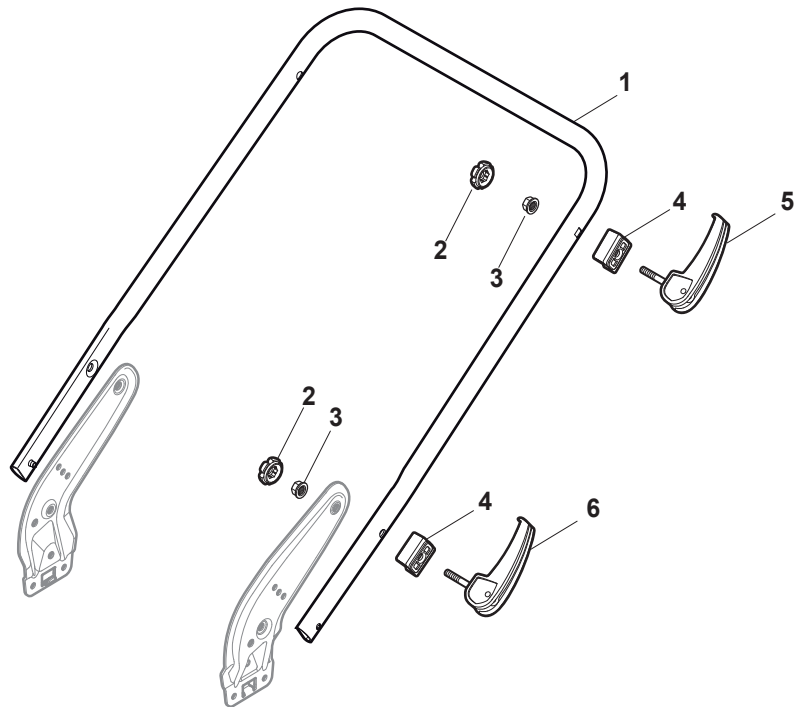


Fig.	Quantity	Part No	Description	Notes
1	1	381007563/0	Lower handle	
2	4	122131750/0	Nut	
3	4	322399835/0	Knob	
4	4	322680016/0	Washer	
5	2	381103350/0	Handle	Black
6	2	381003253/0	Handle	Black

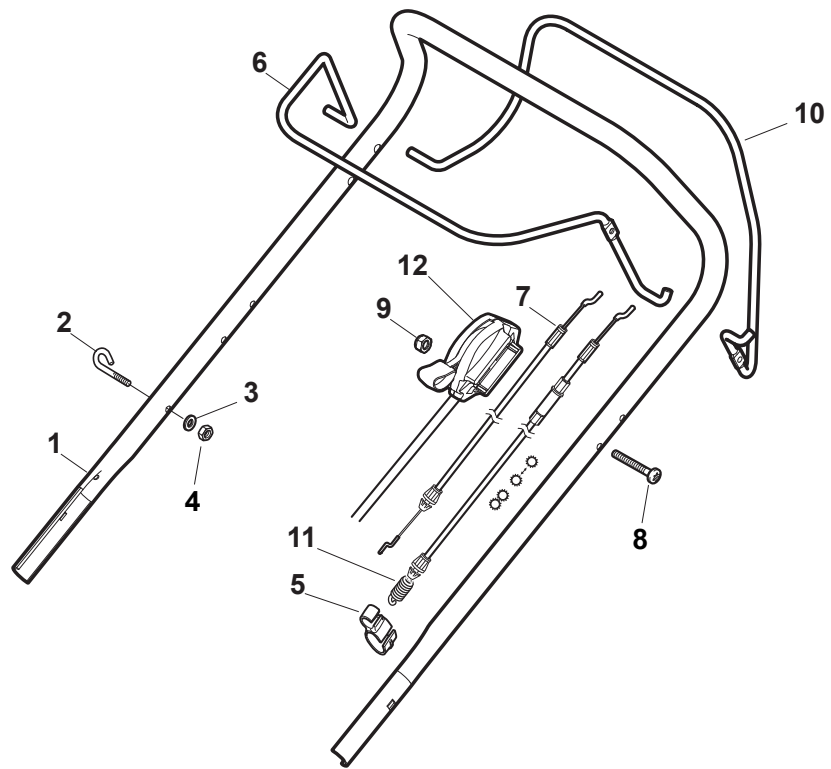


Fig.	Quantity	Part No	Description	Notes
1	1	381006739/1	Handle, Upper Part	without Sponge
1	1	381006745/1	Handle, Upper Part with sponge handgrip	with Sponge
2	1	122430313/0	Guide Spring	
3	1	112521330/0	Washer	
4	1	112154510/0	Nut	
5	1	118390020/0	Conduit Clip Caproeurope	
6	1	181003363/1	Lever, Engine Brake Black	Black
6	1	381003365/0	Lever, Engine Brake Yellow	Yellow
7	1	181030053/0	Cable, Thread Engine Brake	Handle w/Lever - For B&S 675-750 Engine
7	1	181030053/0	Cable, Thread Engine Brake	Handle w/Knob - For B&S 675
7	1	181030054/0	Cable, Thread Engine Brake	Handle w/Knob - For WBE 140 Engine
7	1	181030054/0	Cable, Thread Engine Brake	Handle w/Lever - For B&S 675E Engine
7	1	181030057/0	Cable, Thread Engine Brake	Handle w/Lever - For B&S 675-750-775 Engine
7	1	181030057/0	Cable, Thread Engine Brake	Handle w/Knob - For B&S 675E
7	1	181030070/0	Cable, Thread Engine Brake	Handle w/Knob - For Honda Engine MP1 55
7	1	181030070/0	Cable, Thread Engine Brake	Handle w/Knob - For WBE0702 Engine
7	1	181030070/0	Cable, Thread Engine Brake	Handle w/Knob - For B&S 625E-850 Engine
7	1	181030087/0	Cable, Thread Engine Brake	Handle w/Knob - For B&S 750-775 Engine
7	1	181030088/0	Cable, Thread Engine Brake	Handle w/Knob - For B&S 550E-625E-675 Engine
7	1	181030088/0	Cable, Thread Engine Brake	Handle w/Knob - For Honda Engine MP1 50
7	1	181030105/0	Cable, Thread Engine Brake	Handle w/Lever - For WBE 140 Engine
7	1	181030106/0	Cable, Thread Engine Brake	Handle w/Lever - For B&S 550E-625E-850 Engine
7	1	181030106/0	Cable, Thread Engine Brake	Handle w/Lever - For WBE0702 Engine
7	1	181030106/0	Cable, Thread Engine Brake	Handle w/Lever - For Honda Engine
8	1	112727788/0	Screw	
9	1	112154510/0	Nut	
10	1	181003364/0	Drive Control Lever	Black
10	1	381003366/0	Lever, Driving Yellow	Yellow
11	1	381030104/0	Clutch Cable	
12	1	181005537/0	Throttle Cable	for Handle with Knob
12	1	181005539/0	Throttle Cable	for Handle with Lever

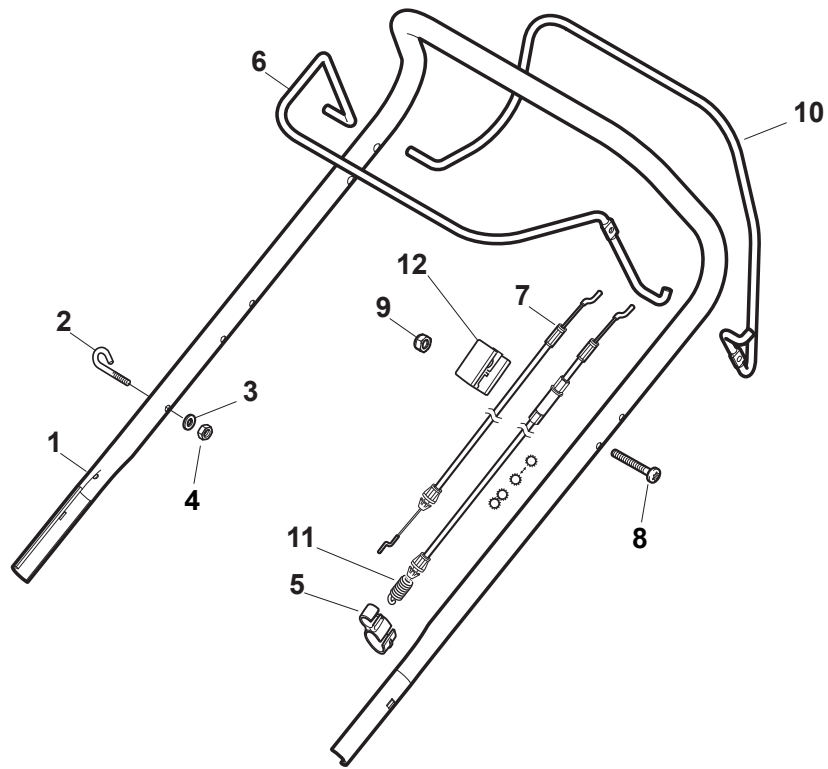




Fig.	Quantity	Part No	Description	Notes
1	1	381006739/1	Handle, Upper Part	without Sponge
1	1	381006745/1	Handle, Upper Part with sponge handgrip	with Sponge
2	1	122430313/0	Guide Spring	
3	1	112521330/0	Washer	
4	1	112154510/0	Nut	
5	1	118390020/0	Conduit Clip Caproeurope	
6	1	181003363/1	Lever, Engine Brake Black	Black
6	1	381003365/0	Lever, Engine Brake Yellow	Yellow
7	1	181030053/0	Cable, Thread Engine Brake	Handle w/Lever - For B&S 675-750 Engine
7	1	181030053/0	Cable, Thread Engine Brake	Handle w/Knob - For B&S 675
7	1	181030054/0	Cable, Thread Engine Brake	Handle w/Knob - For WBE 140 Engine
7	1	181030054/0	Cable, Thread Engine Brake	Handle w/Lever - For B&S 675E Engine
7	1	181030057/0	Cable, Thread Engine Brake	Handle w/Lever - For B&S 675-750-775 Engine
7	1	181030057/0	Cable, Thread Engine Brake	Handle w/Knob - For B&S 675E
7	1	181030070/0	Cable, Thread Engine Brake	Handle w/Knob - For Honda Engine MP1 55
7	1	181030070/0	Cable, Thread Engine Brake	Handle w/Knob - For WBE0702 Engine
7	1	181030070/0	Cable, Thread Engine Brake	Handle w/Knob - For B&S 625E-850 Engine
7	1	181030087/0	Cable, Thread Engine Brake	Handle w/Knob - For B&S 750-775 Engine
7	1	181030088/0	Cable, Thread Engine Brake	Handle w/Knob - For B&S 550E-625E-675 Engine
7	1	181030088/0	Cable, Thread Engine Brake	Handle w/Knob - For Honda Engine MP1 50
7	1	181030105/0	Cable, Thread Engine Brake	Handle w/Lever - For WBE 140 Engine
7	1	181030106/0	Cable, Thread Engine Brake	Handle w/Lever - For B&S 550E-625E-850 Engine
7	1	181030106/0	Cable, Thread Engine Brake	Handle w/Lever - For WBE0702 Engine
7	1	181030106/0	Cable, Thread Engine Brake	Handle w/Lever - For Honda Engine
8	1	112727783/0	Screw	
9	1	112154510/0	Nut	
10	1	181003364/0	Drive Control Lever	Black
10	1	381003366/0	Lever, Driving Yellow	Yellow
11	1	381030104/0	Clutch Cable	
12	1	322551640/0	Plate	

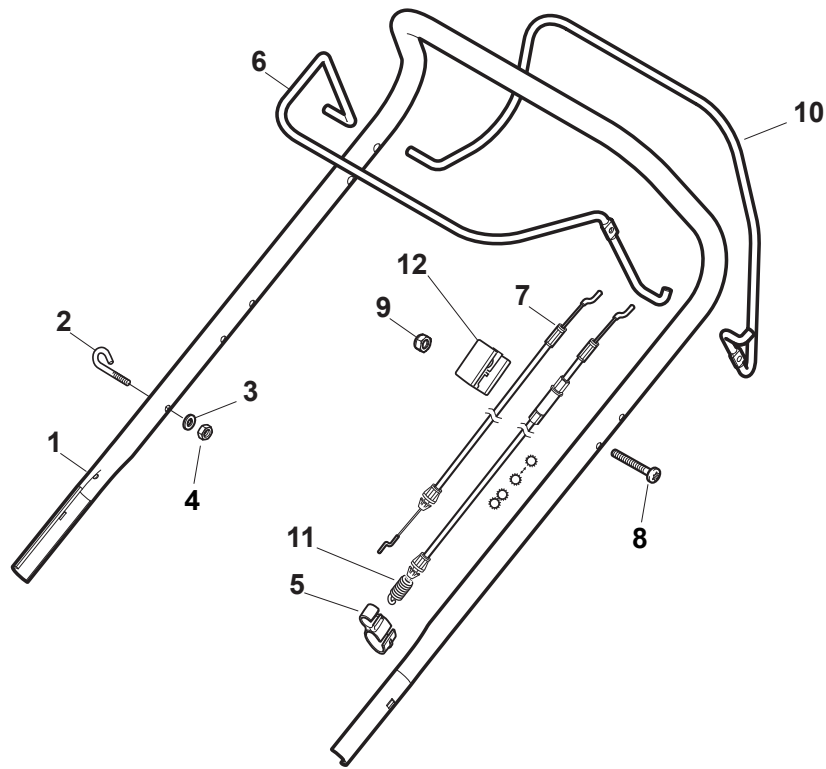


Fig.	Quantity	Part No	Description	Notes
1	1	381006745/1	Handle, Upper Part with sponge handgrip	with Sponge
1	1	381006739/1	Handle, Upper Part	without Sponge
2	1	122430313/0	Guide Spring	
3	1	112521330/0	Washer	
4	1	112154510/0	Nut	
5	1	118390020/0	Conduit Clip Caproeurop	
6	1	181003363/1	Lever, Engine Brake Black	Black
6	1	381003365/0	Lever, Engine Brake Yellow	Yellow
7	1	181030087/0	Cable, Thread Engine Brake	Handle w/Knob - For B&S 775 IS
7	1	181030057/0	Cable, Thread Engine Brake	Handle w/Lever - For B&S 775 IS
8	1	112727783/0	Screw	
9	1	112154510/0	Nut	
10	1	181003364/0	Drive Control Lever	Black
10	1	381003366/0	Lever, Driving Yellow	Yellow
11	1	381030104/0	Clutch Cable	
12	1	322551640/0	Plate	

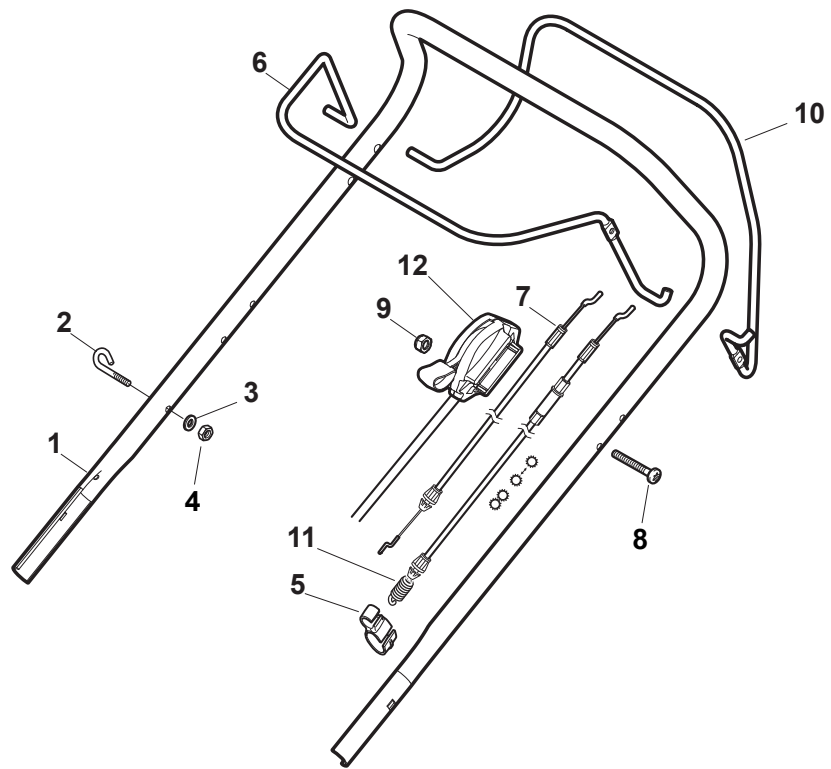


Fig.	Quantity	Part No	Description	Notes
1	1	381006745/1	Handle, Upper Part with sponge handgrip	with Sponge
1	1	381006739/1	Handle, Upper Part	without Sponge
2	1	122430313/0	Guide Spring	
3	1	112521330/0	Washer	
4	1	112154510/0	Nut	
5	1	118390020/0	Conduit Clip Caproeuope	
6	1	181003363/1	Lever, Engine Brake Black	Black
6	1	381003365/0	Lever, Engine Brake Yellow	Yellow
7	1	181030087/0	Cable, Thread Engine Brake	Handle w/Knob - For B&S 775 IS
7	1	181030057/0	Cable, Thread Engine Brake	Handle w/Lever - For B&S 775 IS
8	1	112727783/0	Screw	
9	1	112154510/0	Nut	
10	1	181003364/0	Drive Control Lever	Black
10	1	381003366/0	Lever, Driving Yellow	Yellow
11	1	381030104/0	Clutch Cable	
12	1	181005537/0	Throttle Cable	for Handle with Knob
12	1	181005539/0	Throttle Cable	for Handle with Lever

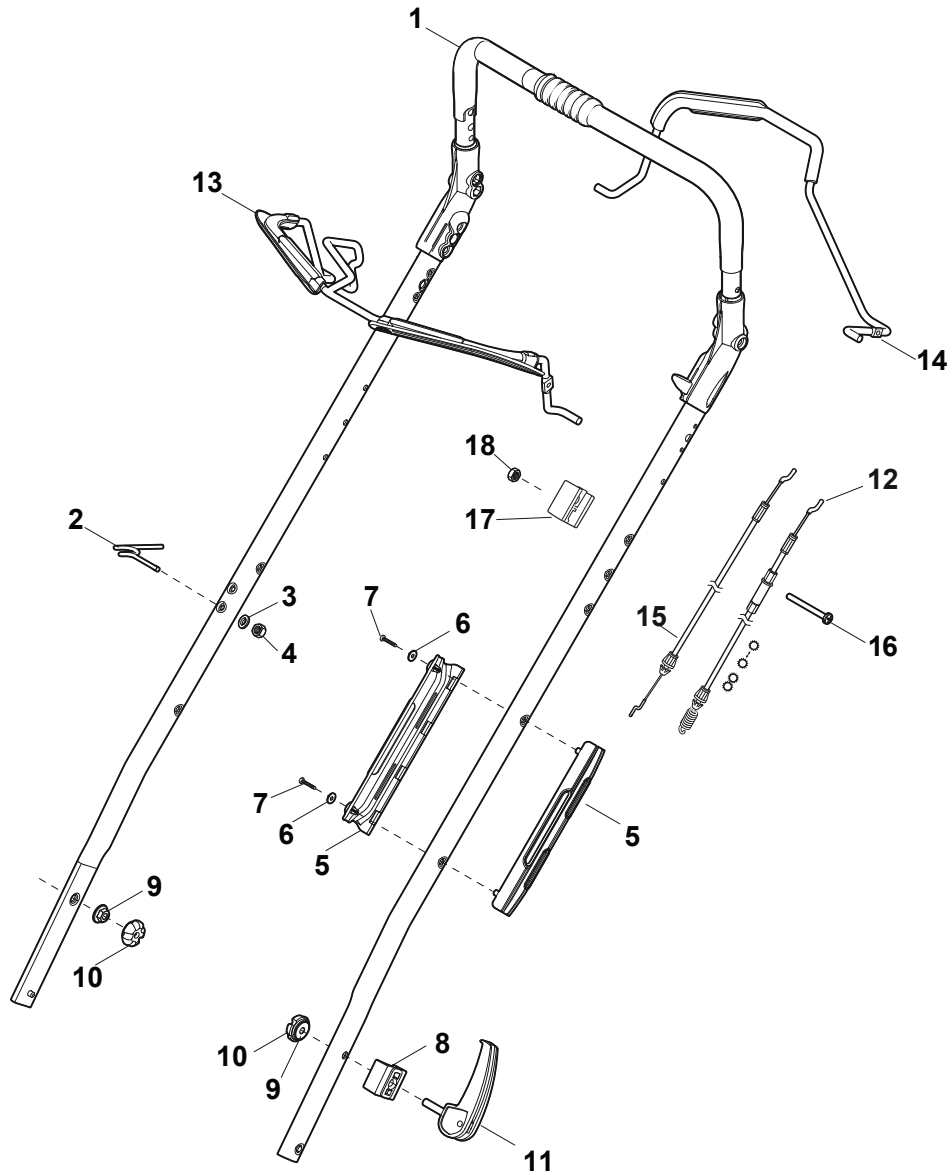


Fig.	Quantity	Part No	Description	Notes
1	1	381007559/0	Handle, Upper Part	Black
2	1	122430313/0	Guide Spring	
3	1	112521330/0	Washer	
4	1	112154510/0	Nut	
5	2	322806644/0	Protection	
6	4	112523000/1	Washer	
7	4	112727812/0	Screw	
8	2	322680017/0	Washer	
9	2	122131750/0	Nut	
10	2	322399835/0	Knob	
11	1	381003253/0	Handle	Black
12	1	381030108/0	Clutch Cable	
13	1	181003437/0	Lever, Engine Brake Black	
14	1	181003438/0	Drive Control Lever	
15	1	181030088/0	Cable, Thread Engine Brake	for B&S 550-625E-675 Series
15	1	181030053/0	Cable, Thread Engine Brake	for B&S 675Es Series
15	1	181030087/0	Cable, Thread Engine Brake	for B&S 750-750Es-775IS Series
15	1	181030054/0	Cable, Thread Engine Brake	for GGP 140cc Engine
15	1	181030070/0	Cable, Thread Engine Brake	for HONDA - B&S 625-850 - GGP 160cc
16	1	112727784/0	Screw	
17	1	322551639/0	Fixed Plate	
18	1	112154510/0	Nut	

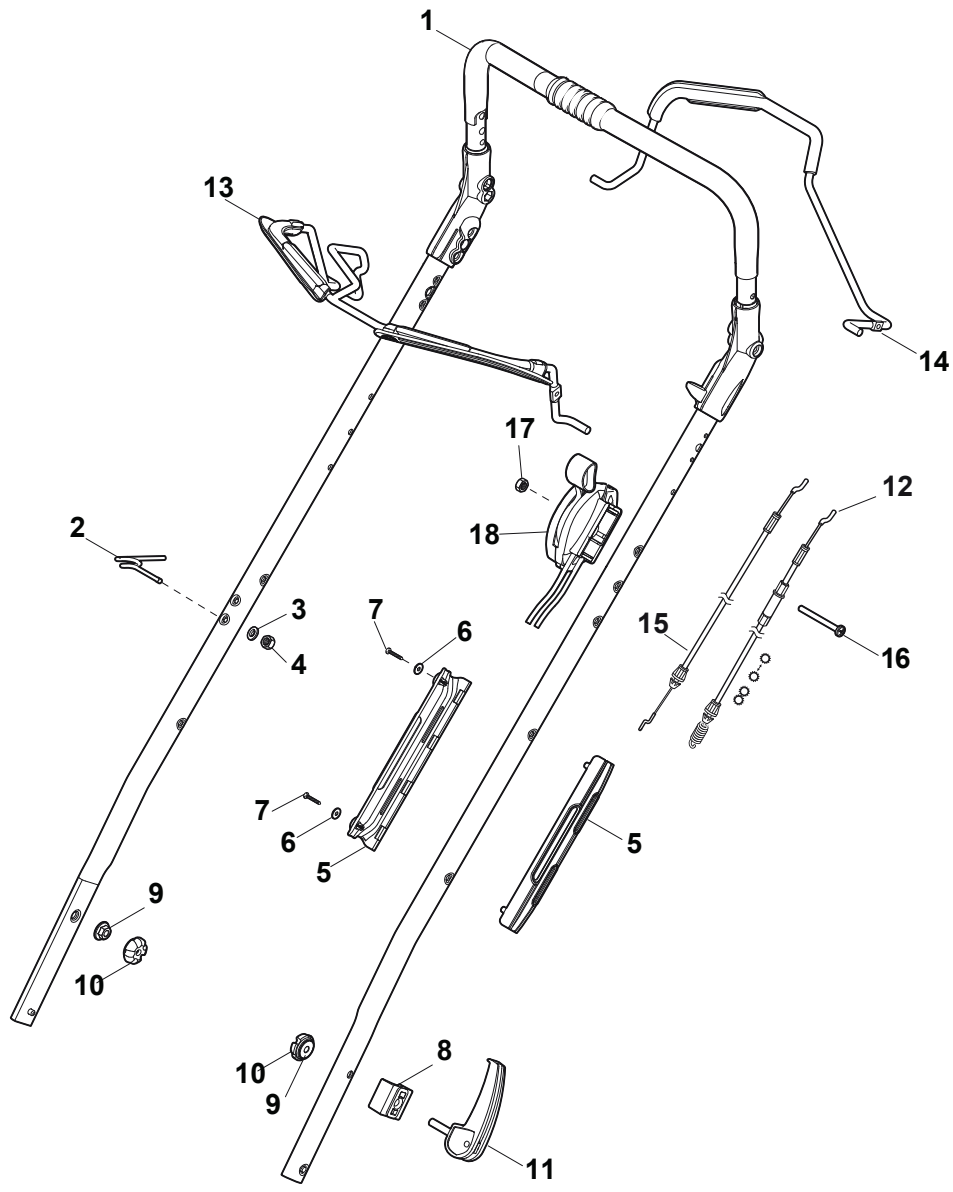




Fig.	Quantity	Part No	Description	Notes
1	1	381007559/0	Handle, Upper Part	Black
2	1	122430313/0	Guide Spring	
3	1	112521330/0	Washer	
4	1	112154510/0	Nut	
5	2	322806644/0	Protection	
6	4	112523000/1	Washer	
7	4	112727812/0	Screw	
8	2	322680017/0	Washer	
9	2	122131750/0	Nut	
10	2	322399835/0	Knob	
11	1	381003253/0	Handle	Black
12	1	381030108/0	Clutch Cable	
13	1	181003437/0	Lever, Engine Brake Black	
14	1	181003438/0	Drive Control Lever	
15	1	181030088/0	Cable, Thread Engine Brake	for B&S 550-625E-675 Series
15	1	181030053/0	Cable, Thread Engine Brake	for B&S 675Es Series
15	1	181030087/0	Cable, Thread Engine Brake	for B&S 750-750Es-775IS Series
15	1	181030054/0	Cable, Thread Engine Brake	for GGP 140cc Engine
15	1	181030070/0	Cable, Thread Engine Brake	for HONDA - B&S 625-850 - GGP 160cc
16	1	112727786/0	Screw	
17	1	112154510/0	Nut	
18	1	181005540/0	Throttle Cable	

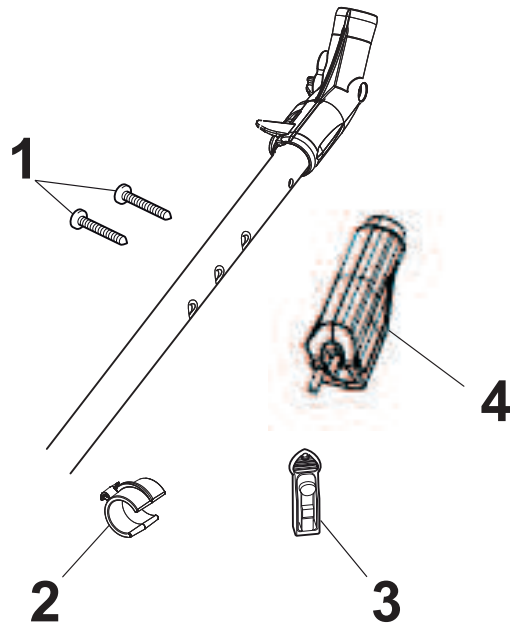
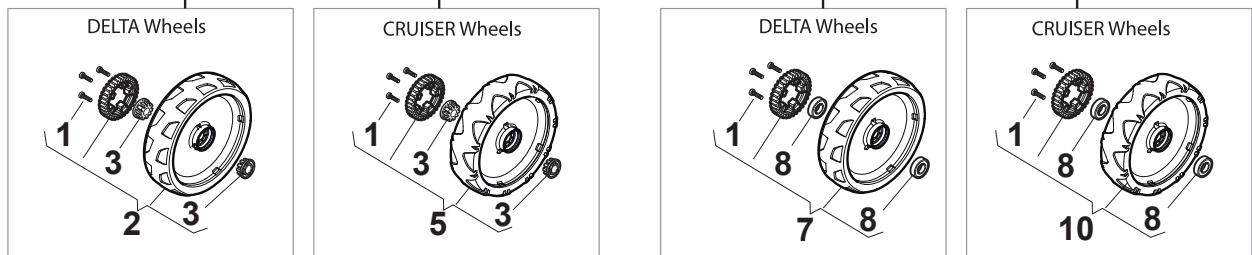
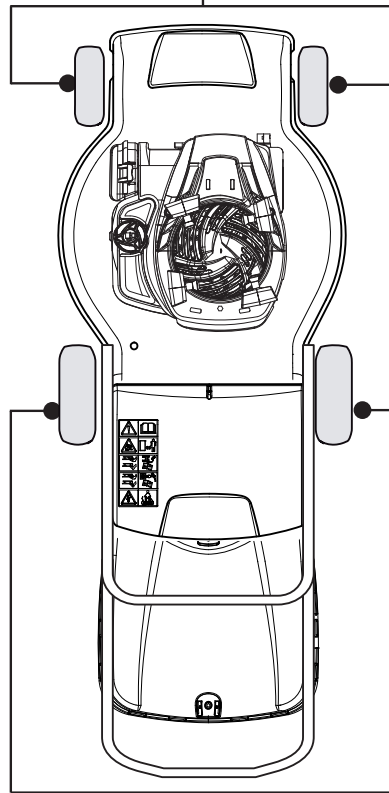
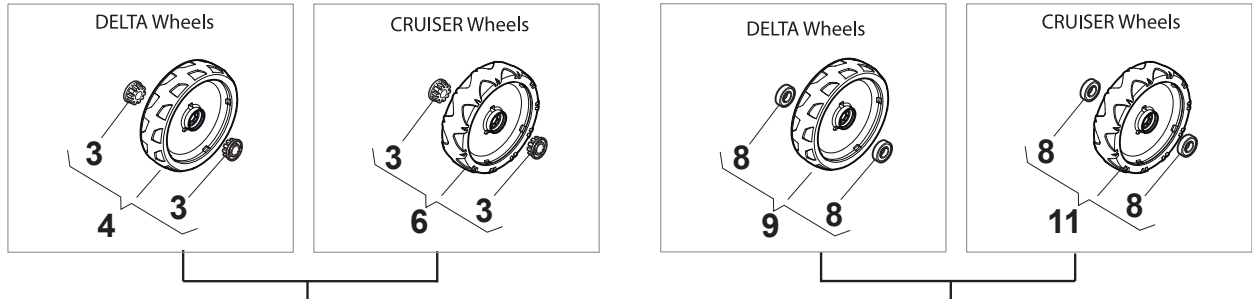


Fig.	Quantity	Part No	Description	Notes
1	1	112728702/0	Screw	without Varietor
1	1	112728300/0	Screw	with Varietor
2	1	133320022/0	Fastpoint Clamp Art.0384.Aa01	
3	1	322076570/1	Battery Safety Key	
4	1	381600400/0	Switch	

Bushing - Ø180

Ball Bearing - Ø180

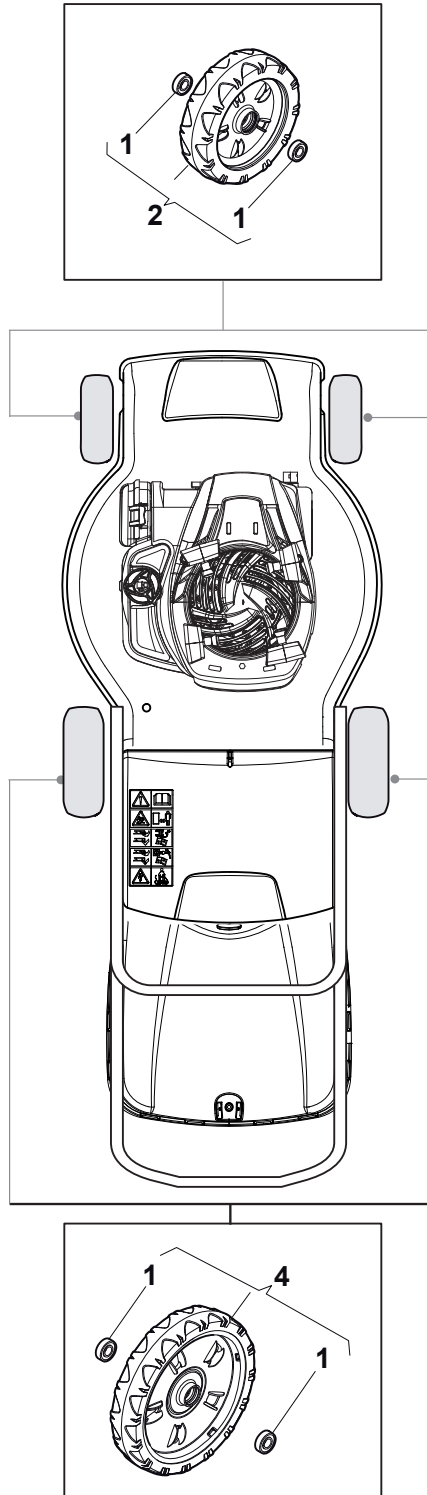


Bushing - Ø240

Ball Bearing - Ø240

Fig.	Quantity	Part No	Description	Notes
1	6	112728706/0	Screw	
2	2	381007462/1	Wheel	
3	8	322042064/0	Bushing	
4	2	381007442/1	Wheel	
5	2	381007466/1	Wheel	
6	2	381007445/1	Wheel	
7	2	381007463/1	Wheel	
8	8	119216035/0	Bearing	
9	2	381007448/1	Wheel	
10	2	381007467/1	Wheel	
11	2	381007455/1	Wheel	

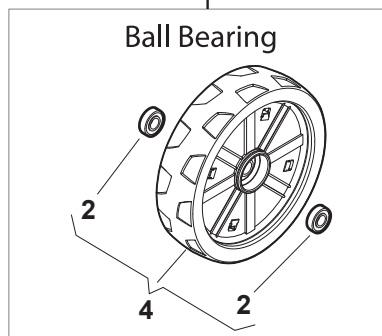
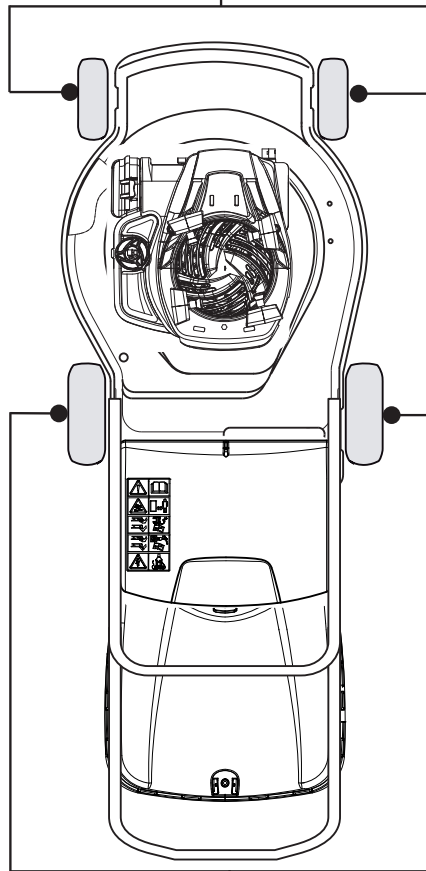
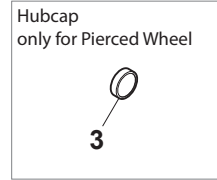
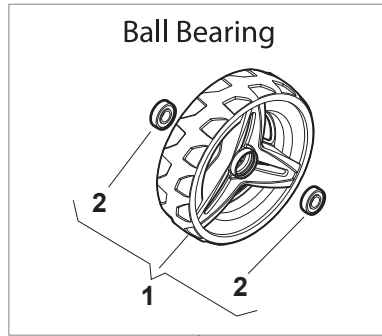
Ball Bearing Ø200 - Wheels NTD



Ball Bearing Ø280 - Wheels NTD

Fig.	Quantity	Part No	Description	Notes
1	8	119216035/0	Bearing	
2	4	381007416/2	Wheel	
4	2	381007417/2	Wheel	

### DELTA Wheel (Pierced) - Ø 200



### DELTA Wheel - Ø 280



Fig.	Quantity	Part No	Description	Notes
1	2	381007477/0	Wheel	
2	8	119216035/0	Bearing	
3	2	322110640/0	Hub Cap Grey	
4	2	381007478/1	Wheel	

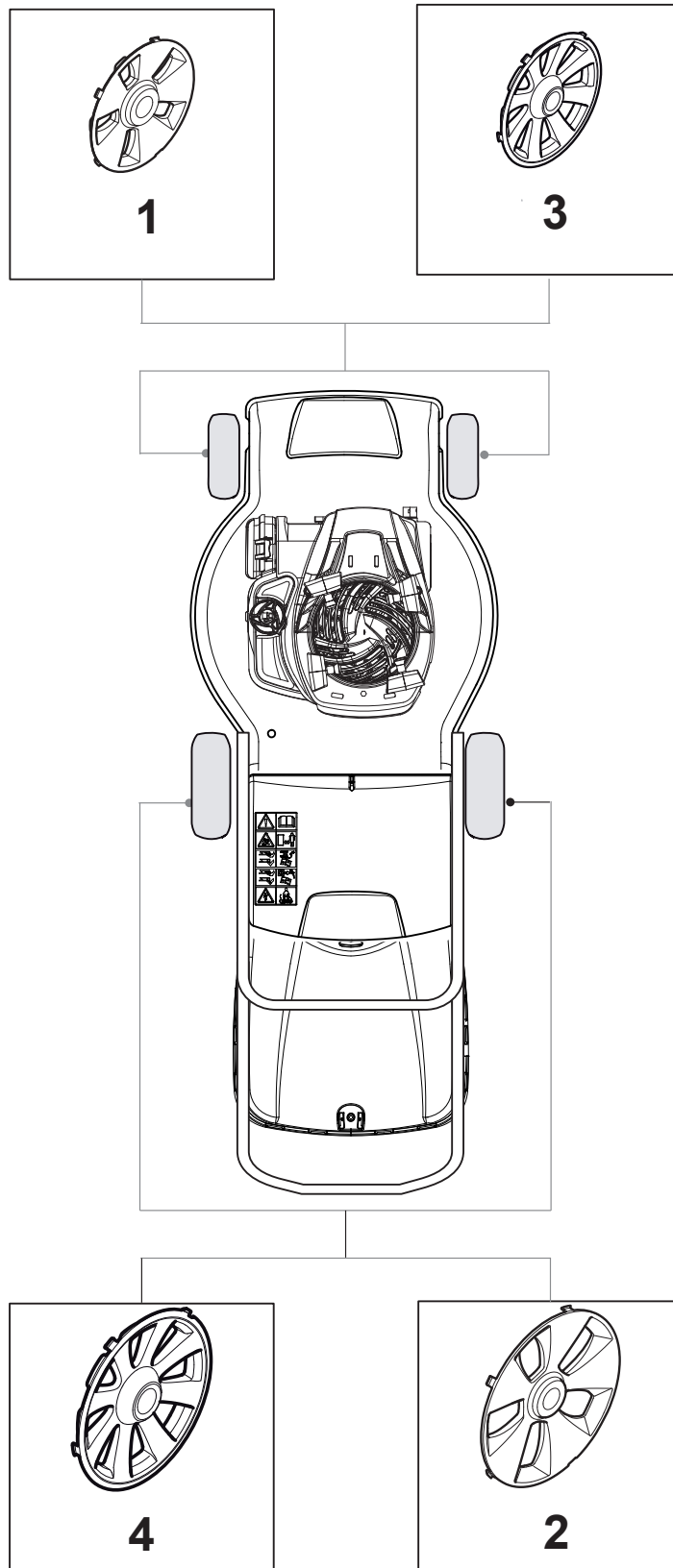


Fig.	Quantity	Part No	Description	Notes
1	2	322110643/0	Hub Cap Grey	Grey
2	2	322110644/0	Hub Cap Grey	Grey
3	2	322110645/0	Hub Cap Grey	Grey
4	2	322110646/0	Hub Cap Grey	Grey

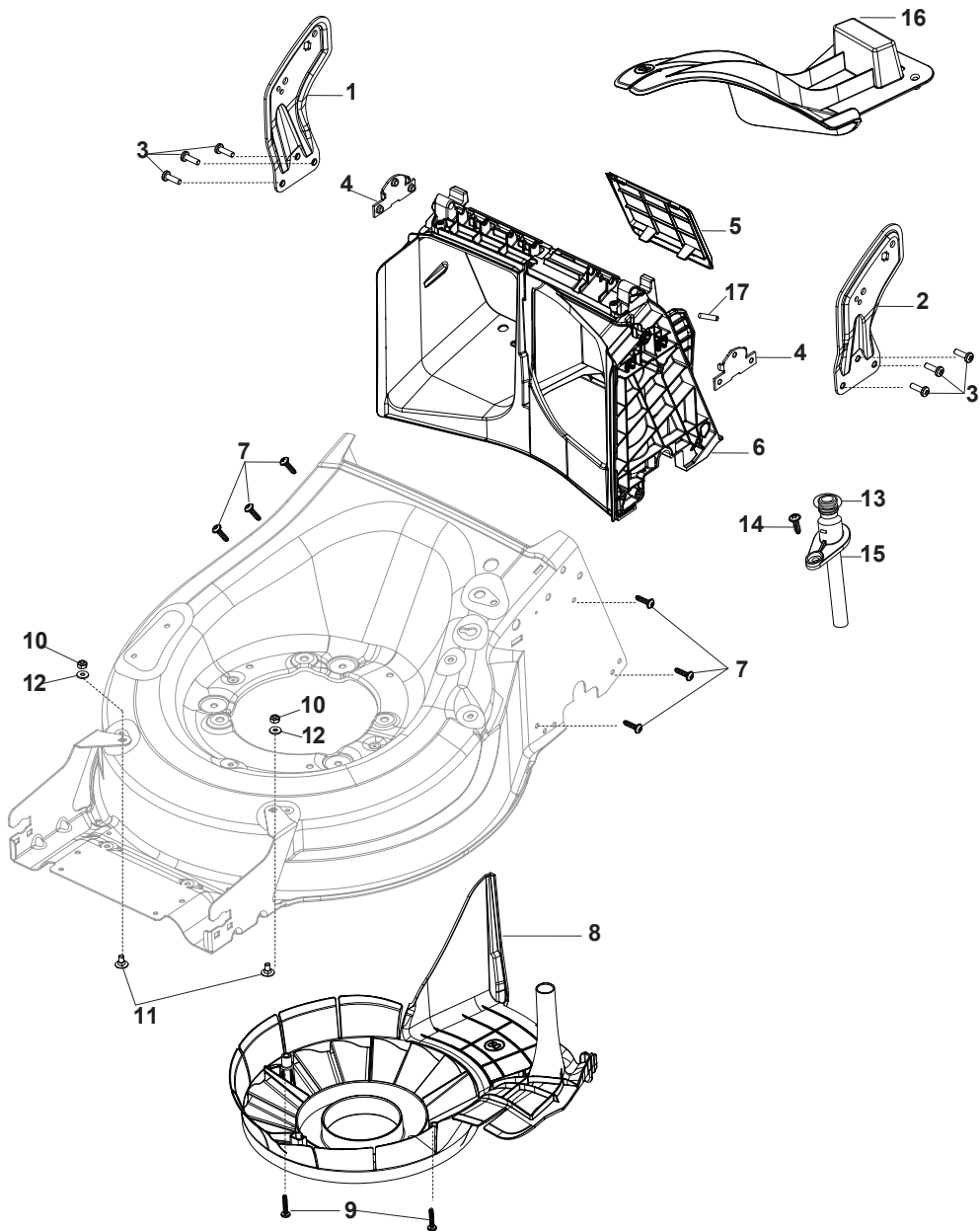


Fig.	Quantity	Part No	Description	Notes
1	1	381005195/0	Bracket-Rh	
2	1	381005197/0	Bracket-Lh	
3	6	112727801/0	Screw	
4	2	322545213/0	Plate	
5	1	322600310/0	Rear door	Not for TR/E models
6	1	322108316/0	Conveyor	
7	6	112728699/0	Screw	
8	1	322060270/0	Carter Mulching	
9	2	112728530/0	Screw	
10	2	112154510/0	Nut	
11	2	112815200/0	Screw	
12	2	112521330/0	Washer	
13	1	119035000/0	Or Ring	
14	1	112728697/0	Screw	
15	1	322034002/0	Washing Connection	
16	1	322140245/0	Deflector	
17	1	112645708/0	Pin	

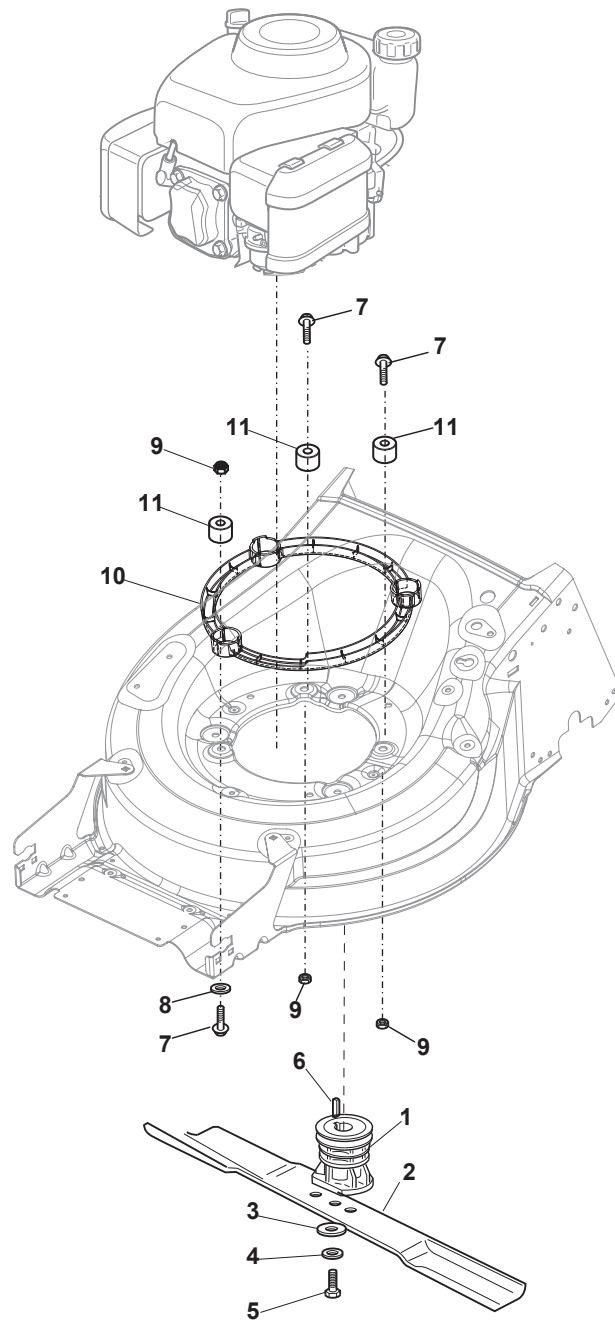


Fig.	Quantity	Part No	Description	Notes
1	1	122465607/3	Hub With Pulley, Crankshaft Ø 22.2	
2	1	181004366/2	Blade	
3	1	122160400/0	Elastic Disc	
4	1	112523080/0	Washer	
5	1	112735698/0	Screw	
6	1	112139100/0	Feather, Crankshaft Ø 22,2	
7	2	112691700/0	Screw	for B&S 675EX-750EX (MP1 50) and 850E
7	3	112692050/0	Screw	for B&S 750EX (MP1 55)
8	1	112521350/0	Washer	
9	3	112154210/0	Nut	
10	1	322170964/0	Protection	
11	3	122170835/0	Spacer	
12	1	112691700/0	Screw	for B&S 750EX
12	1	112692050/0	Screw	for B&S 675EX and 850E

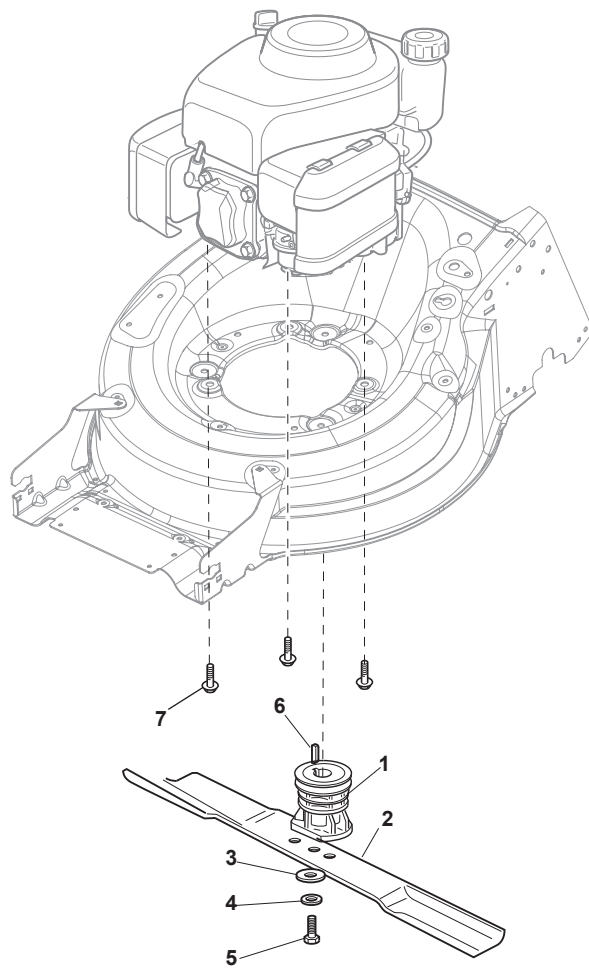




Fig.	Quantity	Part No	Description	Notes
1	1	122465607/3	Hub With Pulley, Crankshaft Ø 22.2	for GGP and B&S Engines
1	1	122465608/2	Hub With Pulley, Crankshaft Ø 25	for HONDA Engines
1	1	122465638/1	Hub With Pulley, Crankshaft Ø 22.2	for B&S 675E -750-850 Engines
2	1	181004366/2	Blade	
3	1	122160400/0	Elastic Disc	
4	1	112523080/0	Washer	
5	1	112735698/0	Screw	
6	1	112139100/0	Feather, Crankshaft Ø 22,2	for GGP and B&S Engines
6	1	112139150/0	Feather, Crankshaft Ø 25	for HONDA Engines
7	3	112735108/1	Screw	for GGP-B&S-HONDA Engines
7	3	112735109/1	Screw	for GGP 100 Engine

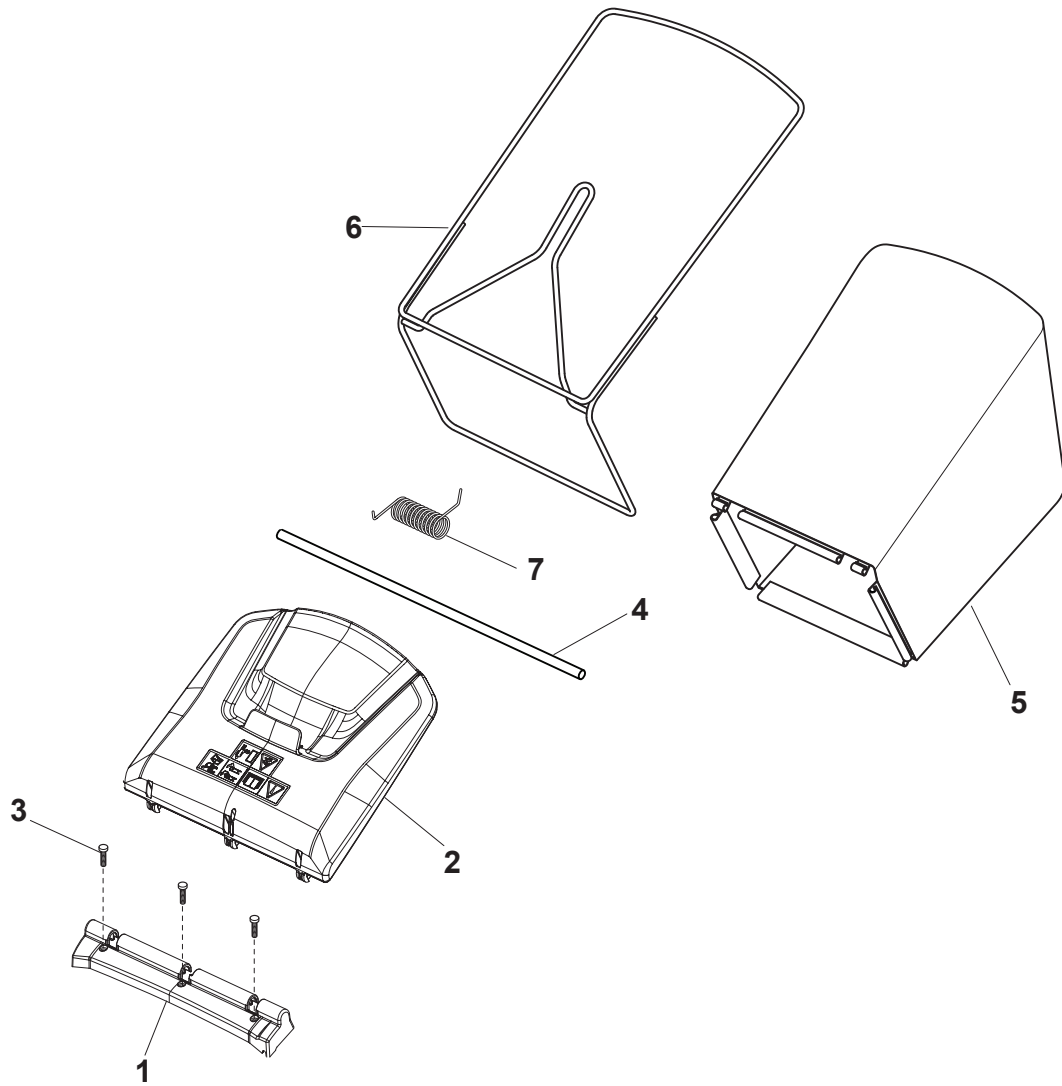


Fig.	Quantity	Part No	Description	Notes
1	1	322109569/0	Black Stone Guard Support	
2	1	322600312/0	Stone Guard, White	
2	1	322600308/0	Stone Guard, Black	
3	3	112728697/0	Screw	
4	1	122517884/0	Pin	
5	1	181102350/0	Cancas GrassCatcher	
6	1	181006410/0	Fabric Box Frame	
7	1	122450479/0	Spring	

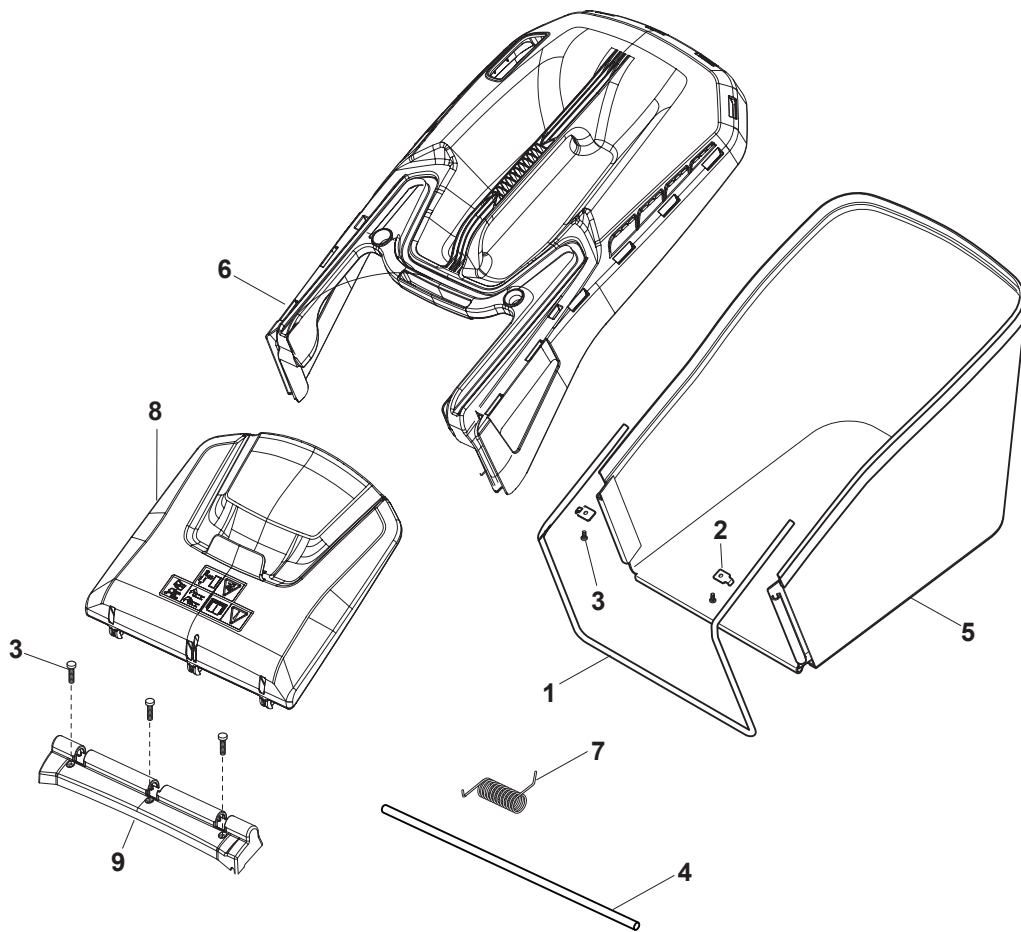


Fig.	Quantity	Part No	Description	Notes
1	1	181006411/0	Fabric Box Frame	
2	2	322557177/0	Plate	
3	5	112728697/0	Screw	
4	1	122517884/0	Pin	
5	1	181102349/0	Cancas GrassCatcher	
6	1	322486428/0	Box, Upper Side	without indicator (Private Label)
6	1	322486427/0	Box, Upper Side	without indicator (Alpina)
6	1	381486040/0	Box, Upper Side	with indicator (Private Label)
6	1	381486039/0	Box, Upper Side	with indicator (Alpina)
7	1	122450479/0	Spring	
8	1	322600312/0	Stone Guard, White	
8	1	322600308/0	Stone Guard, Black	
9	1	322109569/0	Black Stone Guard Support	

code	pos.	q.ty	page									
112139100/0	6	1	p. 39	112728697/0	8	5	p. 3	181003116/0	21	1	p. 3	
112139100/0	6	1	p. 41	112728697/0	14	1	p. 37	181003363/1	6	1	p. 15	
112139150/0	6	1	p. 41	112728697/0	34	4	p. 3	181003363/1	6	1	p. 17	
112154210/0	9	3	p. 39	112728698/0	19	4	p. 3	181003363/1	6	1	p. 19	
112154210/0	45	2	p. 3	112728699/0	3	2	p. 9	181003363/1	6	1	p. 21	
112154510/0	4	1	p. 15	112728699/0	4	5	p. 3	181003364/0	10	1	p. 15	
112154510/0	4	1	p. 17	112728699/0	5	2	p. 7	181003364/0	10	1	p. 17	
112154510/0	4	1	p. 19	112728699/0	7	6	p. 37	181003364/0	10	1	p. 19	
112154510/0	4	1	p. 21	112728702/0	1	1	p. 27	181003364/0	10	1	p. 21	
112154510/0	4	1	p. 23	112728702/0	56	2	p. 5	181003437/0	13	1	p. 23	
112154510/0	4	1	p. 25	112728704/1	43	5	p. 3	181003437/0	13	1	p. 25	
112154510/0	9	1	p. 15	112728706/0	1	6	p. 29	181003438/0	14	1	p. 23	
112154510/0	9	1	p. 17	112735108/1	7	3	p. 41	181003438/0	14	1	p. 25	
112154510/0	9	1	p. 19	112735109/1	7	3	p. 41	181004366/2	2	1	p. 39	
112154510/0	9	1	p. 21	112735120/0	51	2	p. 3	181004366/2	2	1	p. 41	
112154510/0	10	2	p. 37	112735698/0	5	1	p. 39	181005537/0	12	1	p. 15	
112154510/0	11	1	p. 3	112735698/0	5	1	p. 41	181005537/0	12	1	p. 21	
112154510/0	17	1	p. 25	112760605/0	11	2	p. 11	181005539/0	12	1	p. 15	
112154510/0	18	1	p. 23	112792611/0	47	2	p. 3	181005539/0	12	1	p. 21	
112155000/0	8	2	p. 11	112815200/0	11	2	p. 37	181005540/0	18	1	p. 25	
112293200/0	5	2	p. 11	112815270/0	16	1	p. 3	181006410/0	6	1	p. 43	
112369500/0	10	2	p. 11	112818900/0	6	2	p. 11	181006411/0	1	1	p. 45	
112436051/0	35	2	p. 3	112819110/0	2	2	p. 11	181030053/0	7	1	p. 15	
112521330/0	3	1	p. 15	118390020/0	5	1	p. 15	181030053/0	7	1	p. 15	
112521330/0	3	1	p. 17	118390020/0	5	1	p. 17	181030053/0	7	1	p. 17	
112521330/0	3	1	p. 19	118390020/0	5	1	p. 19	181030053/0	7	1	p. 17	
112521330/0	3	1	p. 21	118390020/0	5	1	p. 21	181030053/0	15	1	p. 23	
112521330/0	3	1	p. 23	118390020/0	52	1	p. 3	181030053/0	15	1	p. 25	
112521330/0	3	1	p. 25	119035000/0	13	1	p. 37	181030054/0	7	1	p. 15	
112521330/0	12	2	p. 37	119216035/0	1	8	p. 31	181030054/0	7	1	p. 15	
112521350/0	8	1	p. 39	119216035/0	2	8	p. 33	181030054/0	7	1	p. 17	
112521350/0	9	2	p. 11	119216035/0	8	8	p. 29	181030054/0	7	1	p. 17	
112521371/0	40	2	p. 3	119216035/0	26	2	p. 3	181030054/0	7	1	p. 17	
112523000/1	6	4	p. 23	122131750/0	2	4	p. 13	181030054/0	15	1	p. 23	
112523000/1	6	4	p. 25	122131750/0	9	2	p. 23	181030054/0	15	1	p. 25	
112523040/0	12	1	p. 3	122131750/0	9	2	p. 25	181030057/0	7	1	p. 15	
112523050/0	41	2	p. 3	122160400/0	3	1	p. 39	181030057/0	7	1	p. 15	
112523080/0	4	1	p. 39	122160400/0	3	1	p. 41	181030057/0	7	1	p. 17	
112523080/0	4	1	p. 41	122170835/0	11	3	p. 39	181030057/0	7	1	p. 17	
112608600/0	29	4	p. 3	122399900/0	4	2	p. 39	181030057/0	7	1	p. 19	
112645708/0	17	1	p. 37	122430313/0	2	1	p. 11	181030057/0	7	1	p. 21	
322806647/0	25	1	p. 3	122430313/0	2	1	p. 15	181030070/0	7	1	p. 15	
112674550/0	44	1	p. 3	122430313/0	2	1	p. 17	181030070/0	7	1	p. 15	
112689500/0	48	2	p. 3	122430313/0	2	1	p. 19	181030070/0	7	1	p. 15	
112691700/0	7	2	p. 39	122430313/0	2	1	p. 21	181030070/0	7	1	p. 17	
112691700/0	12	1	p. 39	122430313/0	2	1	p. 23	181030070/0	7	1	p. 17	
112692050/0	7	3	p. 39	122430313/0	2	1	p. 25	181030070/0	7	1	p. 17	
112692050/0	12	1	p. 39	122450477/0	6	1	p. 3	181030070/0	15	1	p. 23	
112727783/0	8	1	p. 17	122450479/0	7	1	p. 43	181030070/0	15	1	p. 25	
112727783/0	8	1	p. 19	122450479/0	7	1	p. 45	181030087/0	7	1	p. 15	
112727783/0	8	1	p. 21	122450480/0	17	1	p. 3	181030087/0	7	1	p. 15	
112727784/0	16	1	p. 23	122450480/0	17	1	p. 3	181030087/0	7	1	p. 17	
112727786/0	16	1	p. 25	122465607/3	1	1	p. 39	181030087/0	7	1	p. 19	
112727788/0	8	1	p. 15	122465607/3	1	1	p. 41	181030087/0	7	1	p. 19	
112727801/0	3	6	p. 37	122465608/2	1	1	p. 41	181030087/0	15	1	p. 21	
112727812/0	7	4	p. 23	122465638/1	1	1	p. 41	181030087/0	15	1	p. 23	
112727812/0	7	4	p. 25	122517873/0	13	1	p. 3	181030087/0	15	1	p. 25	
112728300/0	1	1	p. 27	122517884/0	4	1	p. 43	181030088/0	7	1	p. 15	
112728300/0	58	2	p. 5	122517884/0	4	1	p. 45	181030088/0	7	1	p. 15	
112728530/0	9	2	p. 37	122519820/0	32	2	p. 3	181030088/0	7	1	p. 17	
112728697/0	2	6	p. 9	122570110/1	27	1	p. 3	181030088/0	7	1	p. 17	
112728697/0	3	3	p. 43	122570120/1	28	1	p. 3	181030088/0	15	1	p. 23	
112728697/0	3	5	p. 45	122671651/0	3	2	p. 3	181030088/0	15	1	p. 25	
112728697/0	4	6	p. 7	122671656/0	46	1	p. 11	181030105/0	7	1	p. 15	
				122671656/0	46	1	p. 3	181030105/0	7	1	p. 17	
				122753000/0	30	2	p. 3	181030106/0	7	1	p. 15	
				125943004/0	5	1	p. 3	181030106/0	7	1	p. 15	
				133320022/0	2	1	p. 27	181030106/0	7	1	p. 15	
				135064005/0	42	1	p. 3	181030106/0	7	1	p. 17	

code	pos.	q.ty	page				
181030106/0	7	1	p. 17	322981471/1	7	1	p. 3
181030106/0	7	1	p. 17	381002047/0	31	1	p. 3
181102349/0	5	1	p. 45	381003253/0	6	2	p. 13
181102350/0	5	1	p. 43	381003253/0	11	1	p. 23
322034002/0	15	1	p. 37	381003253/0	11	1	p. 25
322042064/0	3	8	p. 29	381003365/0	6	1	p. 15
322042068/0	39	2	p. 3	381003365/0	6	1	p. 17
322055262/0	1	1	p. 3	381003365/0	6	1	p. 19
322055263/0	2	1	p. 3	381003365/0	6	1	p. 21
322055524/0	4	1	p. 9	381003366/0	10	1	p. 15
322060270/0	8	1	p. 37	381003366/0	10	1	p. 17
322076570/1	3	1	p. 27	381003366/0	10	1	p. 19
322108316/0	6	1	p. 37	381003366/0	10	1	p. 21
322109569/0	1	1	p. 43	381003475/0	14	1	p. 3
322109569/0	9	1	p. 45	381004776/0	7	1	p. 9
322110640/0	3	2	p. 33	381004786/0	6	1	p. 7
322110643/0	1	2	p. 35	381005195/0	1	1	p. 37
322110644/0	2	2	p. 35	381005197/0	2	1	p. 37
322110645/0	3	2	p. 35	381006739/1	1	1	p. 15
322110646/0	4	2	p. 35	381006739/1	1	1	p. 17
322140245/0	16	1	p. 37	381006739/1	1	1	p. 19
322170964/0	10	1	p. 39	381006739/1	1	1	p. 21
322226214/0	2	1	p. 7	381006745/1	1	1	p. 15
322226215/0	5	1	p. 9	381006745/1	1	1	p. 17
322319307/1	59	1	p. 5	381006745/1	1	1	p. 19
322393741/0	1	1	p. 7	381006745/1	1	1	p. 21
322393742/0	6	1	p. 9	381006785/0	1	1	p. 11
322399820/0	57	1	p. 5	381007416/2	2	4	p. 31
322399835/0	3	4	p. 13	381007417/2	4	2	p. 31
322399835/0	10	2	p. 23	381007442/1	4	2	p. 29
322399835/0	10	2	p. 25	381007445/1	6	2	p. 29
322486427/0	6	1	p. 45	381007448/1	9	2	p. 29
322486428/0	6	1	p. 45	381007455/1	11	2	p. 29
322500110/0	3	1	p. 7	381007462/1	2	2	p. 29
322500111/0	1	1	p. 9	381007463/1	7	2	p. 29
322545152/0	18	2	p. 3	381007466/1	5	2	p. 29
322545213/0	4	2	p. 37	381007467/1	10	2	p. 29
322551639/0	17	1	p. 23	381007477/0	1	2	p. 33
322551640/0	12	1	p. 17	381007478/1	4	2	p. 33
322551640/0	12	1	p. 19	381007559/0	1	1	p. 23
322557177/0	2	2	p. 45	381007559/0	1	1	p. 25
322600205/1	38	2	p. 3	381007563/0	1	1	p. 13
322600247/0	37	2	p. 3	381008730/0	12	1	p. 11
322600308/0	2	1	p. 43	381030104/0	11	1	p. 15
322600308/0	8	1	p. 45	381030104/0	11	1	p. 17
322600310/0	5	1	p. 37	381030104/0	11	1	p. 19
322600312/0	2	1	p. 43	381030104/0	11	1	p. 21
322600312/0	8	1	p. 45	381030107/0	53	1	p. 3
322602026/0	3	1	p. 3	381030108/0	12	1	p. 23
322602027/0	9	1	p. 3	381030108/0	12	1	p. 25
322602028/0	10	1	p. 3	381103350/0	5	2	p. 13
322608567/0	50	1	p. 3	381302881/0	23	1	p. 3
322680016/0	4	4	p. 13	381302891/0	24	1	p. 3
322680017/0	8	2	p. 23	381486039/0	6	1	p. 45
322680017/0	8	2	p. 25	381486040/0	6	1	p. 45
322722802/1	54	1	p. 5	381600400/0	4	1	p. 27
322722803/0	55	1	p. 5				
322722807/0	54	1	p. 5				
322778475/0	15	1	p. 3				
322778477/0	20	1	p. 3				
322785305/0	33	2	p. 3				
322806644/0	5	2	p. 23				
322806644/0	5	2	p. 25				
322806649/0	49	1	p. 3				