

# Parts Catalogue

for model  
**NTL 534 TR/E - 534 TRQ/E**

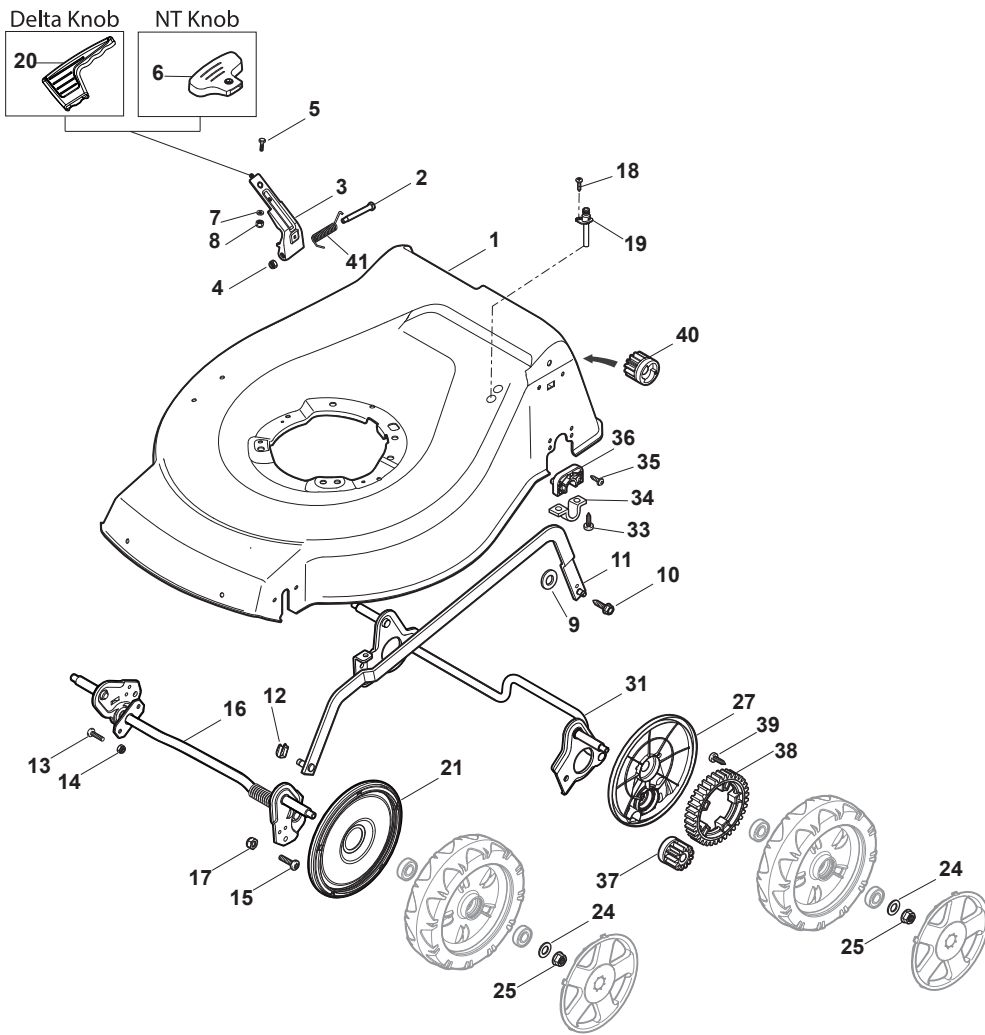
- Use GLOBAL GARDEN PRODUCT Genuine Spare Parts specified in the parts list for repair and/or replacement.
- The contents described in the parts list may change due to improvement.
- The drawings of the spare parts are only indicative and might not represent the part in question exactly.
- The indications "right" - "left" - "front" - "rear" refer to the position of the operator when using the machine.
- When placing orders of parts for repair and/or replacement, make sure that the illustrated parts list is the one applying to the machine's year of manufacture, as shown on the identification plate attached to the machine.

© Copyright 2015 Global Garden Products

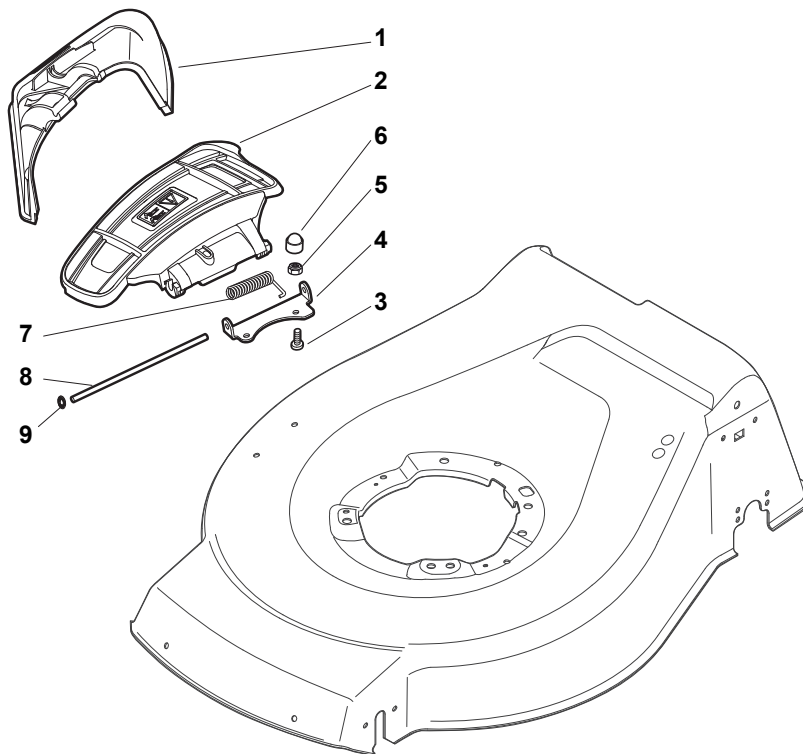
All content is subject to copyright by Global Garden Products and may not be reproduced in whole or in part by any means, electronic or otherwise, without prior written approval.

THIS INFORMATION IS NOT INTENDED FOR SALE OR RESALE, AND THIS NOTICE MUST REMAIN ON ALL COPIES.

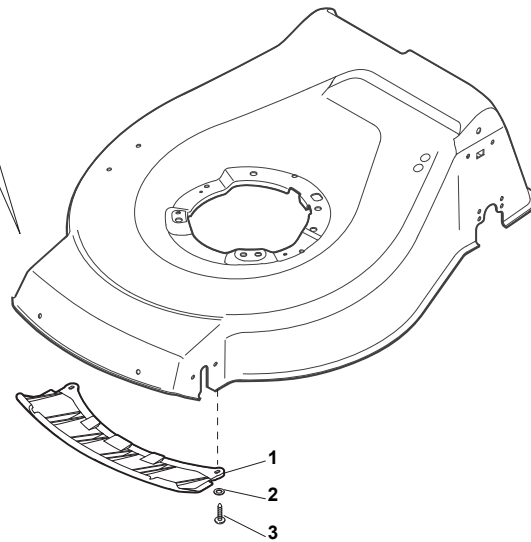
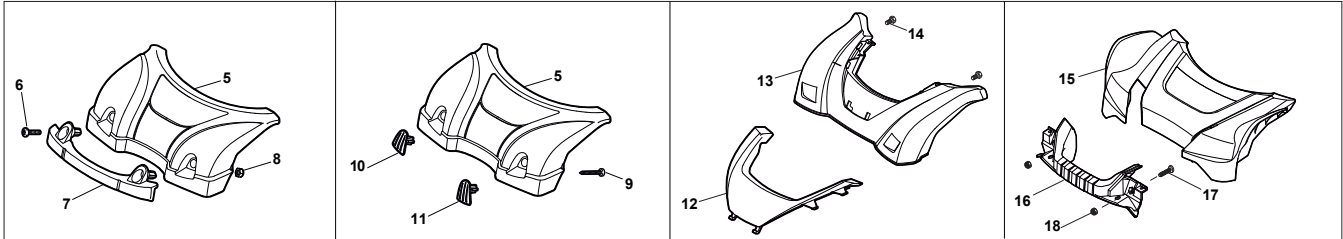




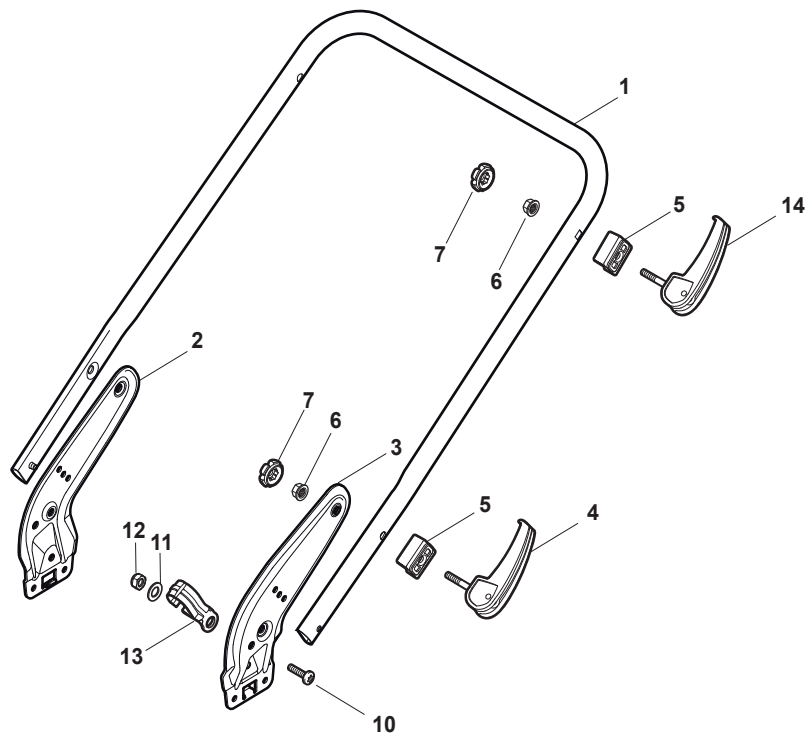
| Fig. | Quantity | Part No     | Description              | Notes          |
|------|----------|-------------|--------------------------|----------------|
| 20   | 1        | 322394522/0 | Knob                     | Delta Knob     |
| 1    | 1        | 381004540/0 | Red Deck                 |                |
| 1    | 1        | 381004542/0 | Red Deck                 | Side Discharge |
| 1    | 1        | 381004590/0 | Yellow Deck              |                |
| 1    | 1        | 381004732/0 | Grey Deck                | Side Discharge |
| 2    | 1        | 122534131/0 | Pin                      |                |
| 3    | 1        | 322322851/0 | Lever, Height Adjustment |                |
| 4    | 1        | 112154510/0 | Nut                      |                |
| 5    | 1        | 112788512/0 | Screw                    |                |
| 6    | 1        | 322394503/0 | Knob                     | NT Knob        |
| 7    | 1        | 112521310/0 | Washer                   |                |
| 8    | 1        | 112150000/0 | Nut                      |                |
| 9    | 1        | 112369500/0 | Elastic Washer           |                |
| 10   | 1        | 122943013/0 | Screw                    |                |
| 11   | 1        | 381002031/0 | Rod, Height Adjustment   |                |
| 12   | 1        | 112436051/0 | Plate                    |                |
| 13   | 3        | 112727803/0 | Screw                    |                |
| 14   | 3        | 112154510/0 | Nut                      |                |
| 15   | 1        | 112727801/0 | Screw                    |                |
| 16   | 1        | 381002887/1 | Front Wheel Axle         |                |
| 17   | 1        | 112154510/0 | Nut                      |                |
| 18   | 1        | 112728450/0 | Screw                    |                |
| 19   | 1        | 322034002/0 | Washing Connection       |                |
| 21   | 2        | 322600145/0 | Protection, Wheel        |                |
| 24   | 4        | 112521350/0 | Washer                   |                |
| 25   | 4        | 112155000/0 | Nut                      |                |
| 27   | 2        | 322600207/0 | Protection, Wheel        |                |
| 31   | 1        | 381302827/0 | Rear Wheel Axle          |                |
| 33   | 4        | 112728697/0 | Screw                    |                |
| 34   | 2        | 322545152/0 | Plate                    |                |
| 35   | 4        | 112728697/0 | Screw                    |                |
| 36   | 2        | 322785304/1 | Support                  |                |
| 37   | 1        | 122570120/1 | Pinion Left              |                |
| 38   | 2        | 322120114/0 | Wheels Crown             |                |
| 39   | 6        | 112728706/0 | Screw                    |                |
| 40   | 1        | 122570110/1 | Pinion Right             |                |
| 41   | 1        | 122446192/0 | Spring                   |                |



| Fig. | Quantity | Part No     | Description            | Notes |
|------|----------|-------------|------------------------|-------|
| 1    | 1        | 322108295/1 | Side Ejection Conveyor |       |
| 2    | 1        | 322600313/0 | Ejection Guard         |       |
| 3    | 2        | 112727803/0 | Screw                  |       |
| 4    | 1        | 322806639/0 | Fulcrum Pin            |       |
| 5    | 2        | 112154510/0 | Nut                    |       |
| 6    | 2        | 118203853/0 | Screw                  |       |
| 7    | 1        | 122450456/0 | Spring                 |       |
| 8    | 1        | 122517869/1 | Pin                    |       |
| 9    | 2        | 112604896/0 | Crown Fastener         |       |

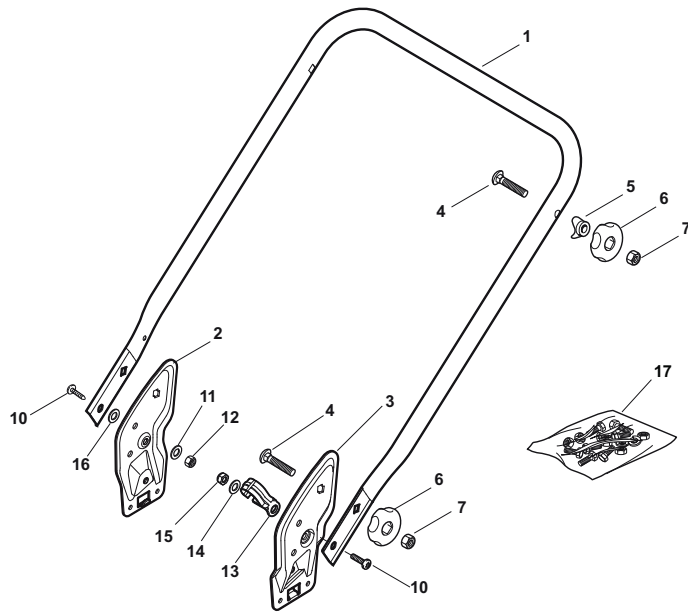


| Fig. | Quantity | Part No     | Description      | Notes           |
|------|----------|-------------|------------------|-----------------|
| 1    | 1        | 322500103/0 | Front Combi      |                 |
| 2    | 2        | 112523000/1 | Washer           |                 |
| 3    | 2        | 112728124/0 | Screw            |                 |
| 5    | 1        | 322226145/0 | Mask, Red        |                 |
| 5    | 1        | 322226146/0 | Mask, Yellow     | with Stiga Logo |
| 5    | 1        | 322226152/0 | Mask, Black      | with Stiga Logo |
| 5    | 1        | 322226154/0 | Mask, Black      |                 |
| 6    | 2        | 112727799/0 | Screw            |                 |
| 7    | 1        | 322393638/0 | Handlegrip Black |                 |
| 7    | 1        | 322393639/0 | Handle, Grey     |                 |
| 7    | 1        | 322393640/0 | Handle, Yellow   |                 |
| 8    | 2        | 112154510/0 | Nut              |                 |
| 9    | 2        | 112728697/0 | Screw            |                 |
| 10   | 1        | 322820082/0 | Cap              |                 |
| 11   | 1        | 322820083/0 | Cap              |                 |
| 12   | 1        | 322226167/0 | Front Plate      |                 |
| 13   | 1        | 322226166/0 | Mask, Black      |                 |
| 14   | 2        | 112728300/0 | Screw            |                 |
| 15   | 1        | 322226158/0 | Mask, Black      |                 |
| 16   | 1        | 322393642/0 | Bumper Handle    |                 |
| 17   | 2        | 112727799/0 | Screw            |                 |
| 18   | 2        | 112154510/0 | Nut              |                 |

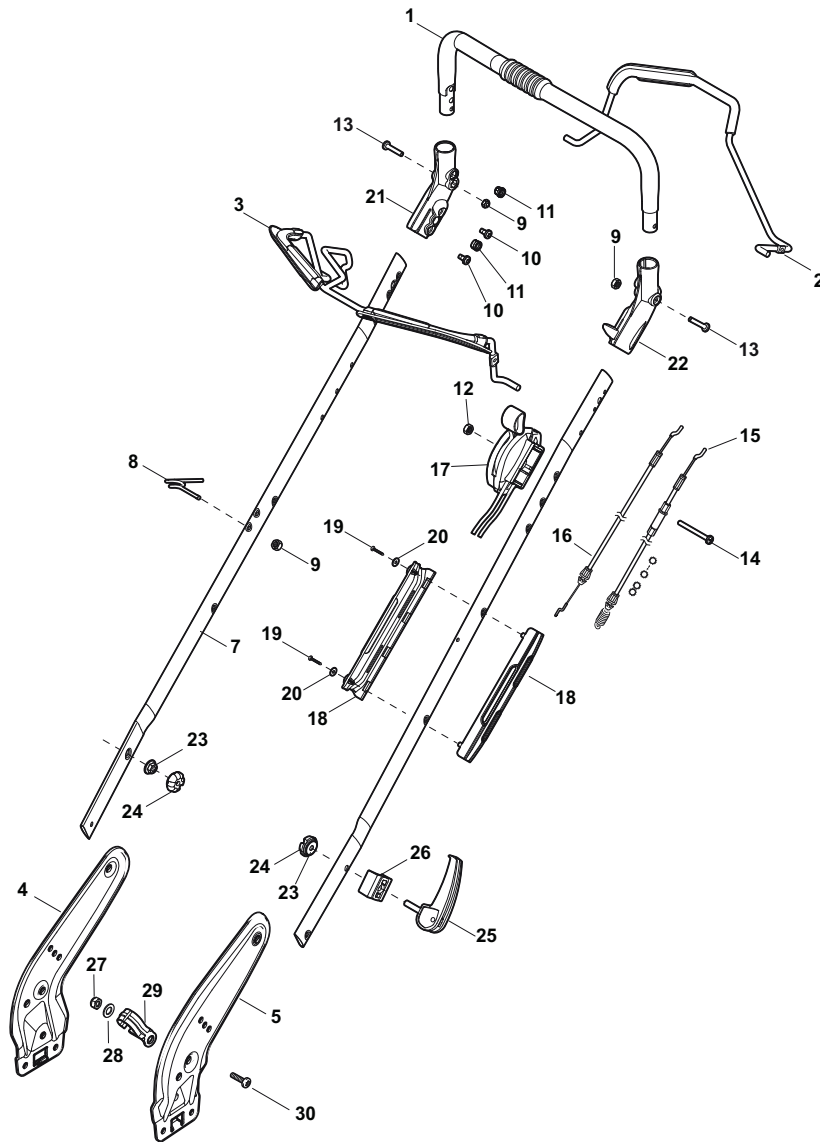




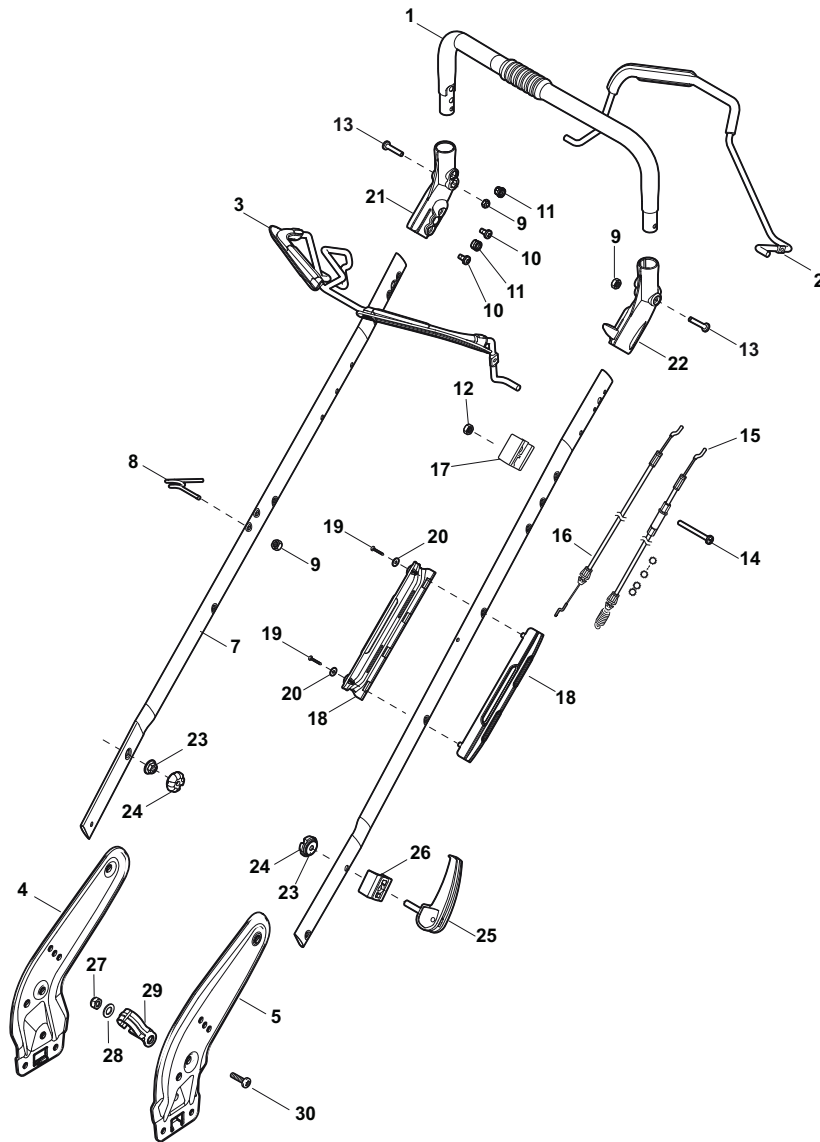
| Fig. | Quantity | Part No     | Description               | Notes      |
|------|----------|-------------|---------------------------|------------|
| 1    | 1        | 381006719/0 | Handle Lower Part         | Black      |
| 1    | 1        | 381006720/0 | Handle Lower Part         | Grey       |
| 1    | 1        | 381007539/0 | Handle, Lower Part Yellow | Yellow     |
| 2    | 1        | 381005149/0 | Right Bracket             | Black      |
| 2    | 1        | 381005185/0 | Right Bracket             | Stiga Grey |
| 3    | 1        | 381005151/0 | Left Bracket              | Black      |
| 3    | 1        | 381005187/0 | Left Bracket              | Stiga Grey |
| 4    | 4        | 381003253/0 | Handle                    |            |
| 5    | 4        | 322680016/0 | Washer                    |            |
| 6    | 4        | 122131750/0 | Nut                       |            |
| 7    | 4        | 322399835/0 | Knob                      |            |
| 10   | 2        | 112760605/0 | Screw                     |            |
| 11   | 2        | 125038002/1 | Bushing                   |            |
| 12   | 2        | 112155000/0 | Nut                       |            |
| 13   | 1        | 322192156/0 | Clip                      |            |
| 14   | 2        | 381103350/0 | Handle                    |            |



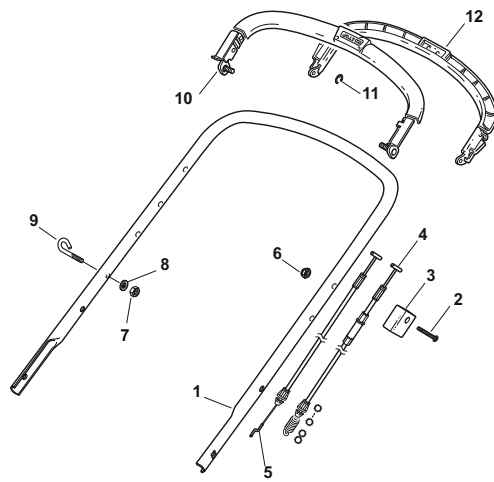
| Fig. | Quantity | Part No     | Description       | Notes |
|------|----------|-------------|-------------------|-------|
| 1    | 1        | 381007043/0 | Handle Lower Part |       |
| 2    | 1        | 381005133/0 | Right Bracket     |       |
| 3    | 1        | 381005135/0 | Left Bracket      |       |
| 4    | 1        | 112819120/0 | Screw             |       |
| 5    | 4        | 122680006/1 | Washer            |       |
| 6    | 4        | 322399804/1 | Nut               |       |
| 7    | 4        | 112293200/0 | Nut               |       |
| 10   | 4        | 112760605/0 | Screw             |       |
| 11   | 1        | 125038002/1 | Bushing           |       |
| 12   | 2        | 112155000/0 | Nut               |       |
| 13   | 2        | 322192156/0 | Clip              |       |
| 14   | 1        | 112523040/0 | Washer            |       |
| 15   | 1        | 112154510/0 | Nut               |       |
| 16   | 1        | 112369500/0 | Elastic Washer    |       |



| Fig. | Quantity | Part No     | Description                | Notes                      |
|------|----------|-------------|----------------------------|----------------------------|
| 1    | 1        | 381006670/2 | Handle Tube                |                            |
| 2    | 1        | 381003349/0 | Lever, Driving             |                            |
| 3    | 1        | 381003472/0 | Lever, Engine Brake        | Black                      |
| 3    | 1        | 381003344/0 | Lever, Engine Brake        | Red                        |
| 4    | 1        | 381005149/0 | Right Bracket              | Black                      |
| 4    | 1        | 381005185/0 | Right Bracket              | Stiga Grey                 |
| 5    | 1        | 381005151/0 | Left Bracket               | Black                      |
| 5    | 1        | 381005187/0 | Left Bracket               | Stiga Grey                 |
| 7    | 2        | 381006773/1 | Handle Black               |                            |
| 7    | 2        | 381006774/1 | Handle Grey                |                            |
| 8    | 1        | 122430309/0 | Spring                     |                            |
| 9    | 2        | 112154330/0 | Nut                        |                            |
| 10   | 4        | 112735662/1 | Screw                      |                            |
| 11   | 4        | 322041967/1 | Bushing                    |                            |
| 12   | 3        | 112154510/0 | Nut                        |                            |
| 13   | 2        | 112728721/0 | Screw                      |                            |
| 14   | 1        | 112727786/0 | Screw                      |                            |
| 15   | 1        | 381030093/1 | Cable Rear Drive           |                            |
| 16   | 1        | 181030074/0 | Cable, Thread Engine Brake |                            |
| 17   | 1        | 181005525/0 | Throttle Cable             | for B&S 575 Series         |
| 17   | 1        | 181005502/1 | Throttle Cable             | for B&S Engine             |
| 17   | 1        | 181005512/0 | Throttle Cable             | for Honda and GGP Engine   |
| 17   | 1        | 181005513/0 | Throttle Cable             | for Honda Autochoke Engine |
| 18   | 1        | 322806644/0 | Protection                 |                            |
| 19   | 2        | 112727812/0 | Screw                      |                            |
| 20   | 2        | 112523000/1 | Washer                     |                            |
| 21   | 1        | 322488301/0 | Joint Sleeve Grey Right    |                            |
| 22   | 1        | 322488303/0 | Joining Sleeve Grey Left   |                            |
| 23   | 2        | 112154220/0 | Nut                        |                            |
| 24   | 2        | 322399835/0 | Knob                       |                            |
| 25   | 2        | 381003253/0 | Handle                     |                            |
| 26   | 2        | 322680017/0 | Washer                     |                            |
| 27   | 1        | 112155000/0 | Nut                        |                            |
| 28   | 1        | 125038002/1 | Bushing                    |                            |
| 29   | 1        | 322192156/0 | Clip                       |                            |
| 30   | 1        | 112760605/0 | Screw                      |                            |

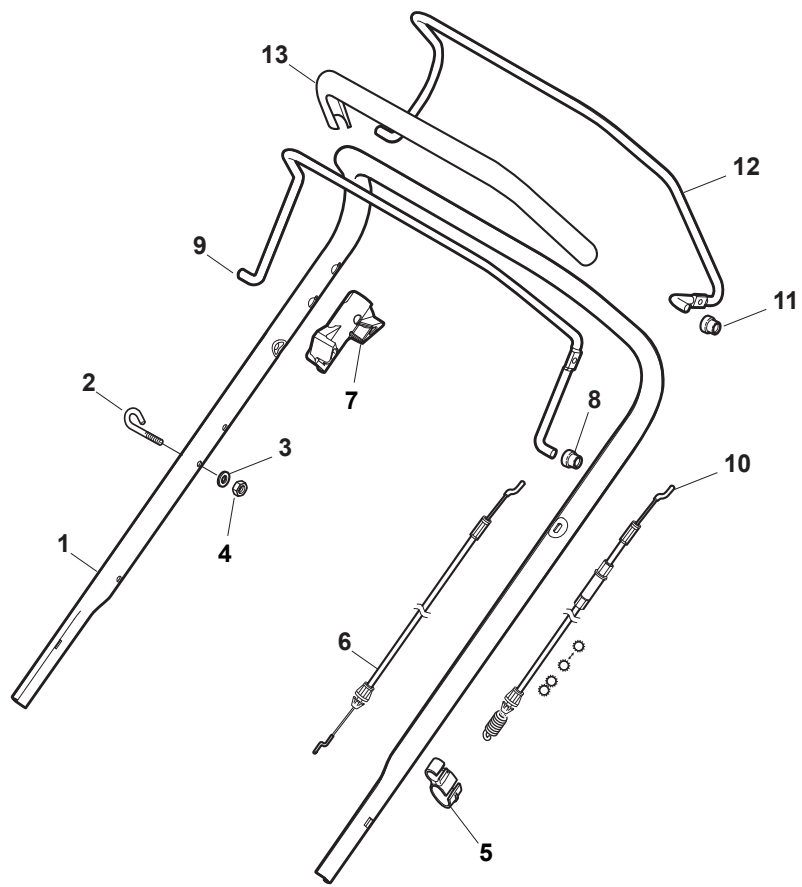


| Fig. | Quantity | Part No     | Description                | Notes      |
|------|----------|-------------|----------------------------|------------|
| 1    | 1        | 381006670/2 | Handle Tube                |            |
| 2    | 1        | 381003349/0 | Lever, Driving             |            |
| 3    | 1        | 381003472/0 | Lever, Engine Brake        | Black      |
| 3    | 1        | 381003344/0 | Lever, Engine Brake        | Red        |
| 4    | 1        | 381005149/0 | Right Bracket              | Black      |
| 4    | 1        | 381005185/0 | Right Bracket              | Stiga Grey |
| 5    | 1        | 381005151/0 | Left Bracket               | Black      |
| 5    | 1        | 381005187/0 | Left Bracket               | Stiga Grey |
| 7    | 2        | 381006773/1 | Handle Black               |            |
| 7    | 2        | 381006774/1 | Handle Grey                |            |
| 8    | 1        | 122430309/0 | Spring                     |            |
| 9    | 2        | 112154330/0 | Nut                        |            |
| 10   | 4        | 112735662/1 | Screw                      |            |
| 11   | 4        | 322041967/1 | Bushing                    |            |
| 12   | 3        | 112154510/0 | Nut                        |            |
| 13   | 2        | 112728721/0 | Screw                      |            |
| 14   | 1        | 112727784/0 | Screw                      |            |
| 15   | 1        | 381030097/0 | Cable Rear Drive           |            |
| 16   | 1        | 181030100/0 | Cable, Thread Engine Brake |            |
| 17   | 1        | 322551639/0 | Fixed Plate                |            |
| 18   | 1        | 322806644/0 | Protection                 |            |
| 19   | 2        | 112727812/0 | Screw                      |            |
| 20   | 2        | 112523000/1 | Washer                     |            |
| 21   | 1        | 322488301/0 | Joint Sleeve Grey Right    |            |
| 22   | 1        | 322488303/0 | Joining Sleeve Grey Left   |            |
| 23   | 2        | 112154220/0 | Nut                        |            |
| 24   | 2        | 322399835/0 | Knob                       |            |
| 25   | 2        | 381003253/0 | Handle                     |            |
| 26   | 2        | 322680017/0 | Washer                     |            |
| 27   | 1        | 112155000/0 | Nut                        |            |
| 28   | 1        | 125038002/1 | Bushing                    |            |
| 29   | 1        | 322192156/0 | Clip                       |            |
| 30   | 1        | 112760605/0 | Screw                      |            |

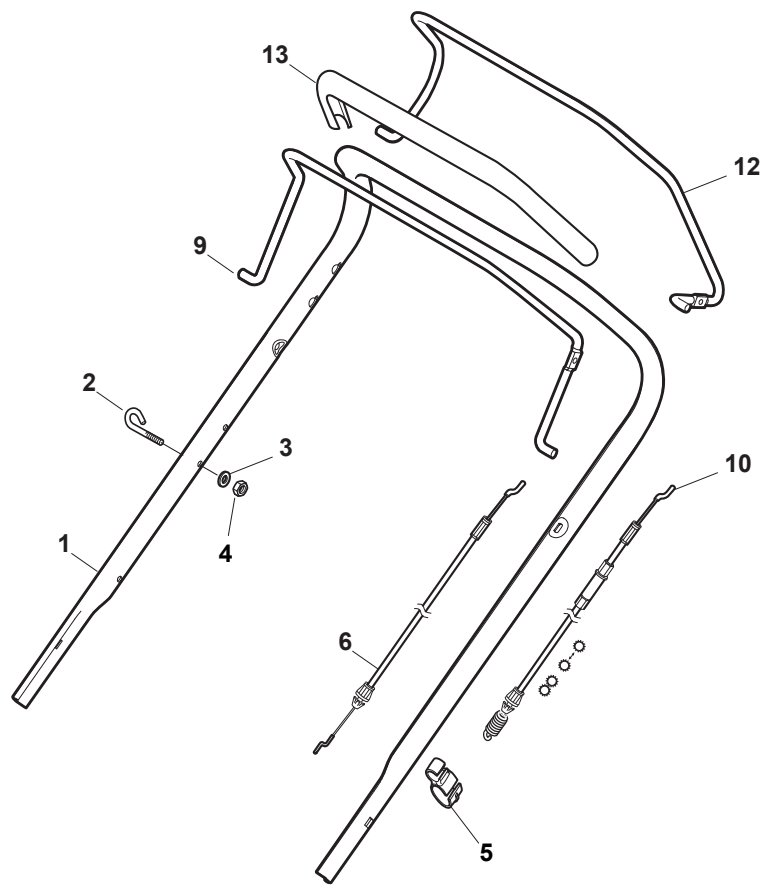




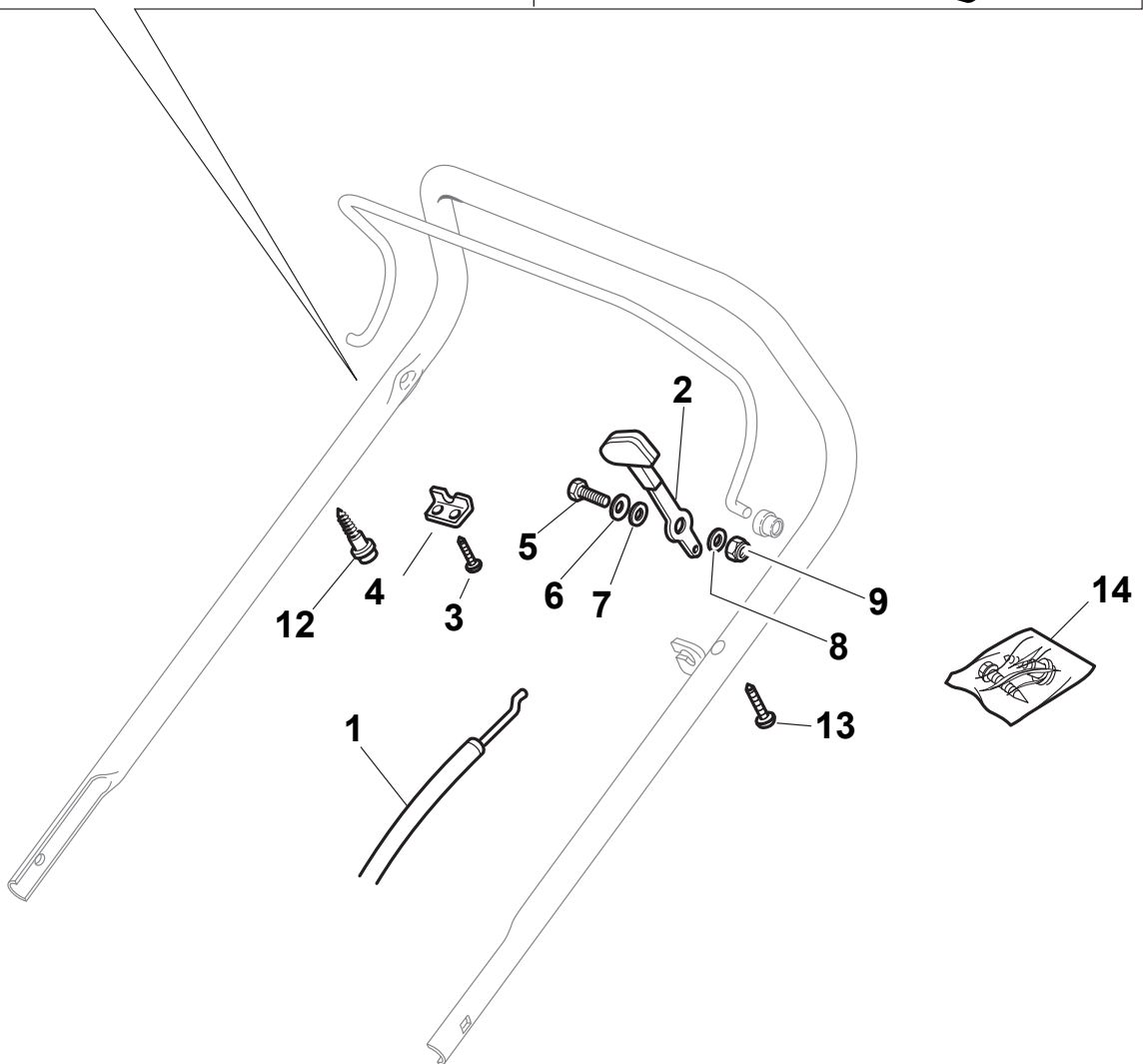
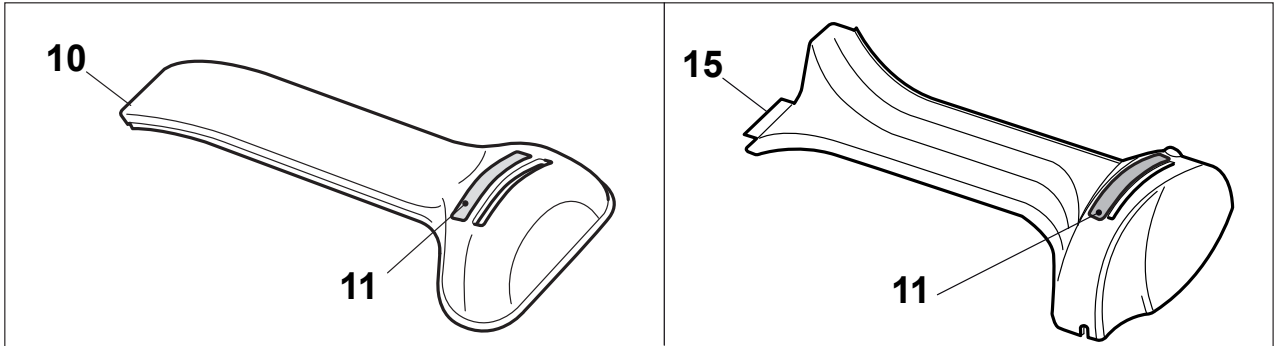
| Fig. | Quantity | Part No     | Description                | Notes                     |
|------|----------|-------------|----------------------------|---------------------------|
| 1    | 1        | 381006867/0 | Upper Handle Grey          | Grey                      |
| 1    | 1        | 381006979/2 | Upper Handle               | Black                     |
| 2    | 1        | 112727787/0 | Screw                      |                           |
| 3    | 1        | 322551640/0 | Plate                      |                           |
| 5    | 1        | 181030056/0 | Cable, Thread Engine Brake | Honda / B&S / GGP Engine  |
| 5    | 1        | 181030057/0 | Cable, Thread Engine Brake | SV40 / RV 40 / V35 Engine |
| 6    | 1        | 112154510/0 | Nut                        |                           |
| 7    | 1        | 112154510/0 | Nut                        |                           |
| 8    | 1        | 112521330/0 | Washer                     |                           |
| 9    | 1        | 122430313/0 | Guide Spring               |                           |
| 10   | 1        | 381003330/0 | Lever, Engine Brake        |                           |
| 11   | 1        | 112000930/0 | Benzing Ring               |                           |
| 12   | 1        | 381003297/1 | Driving Lever              |                           |



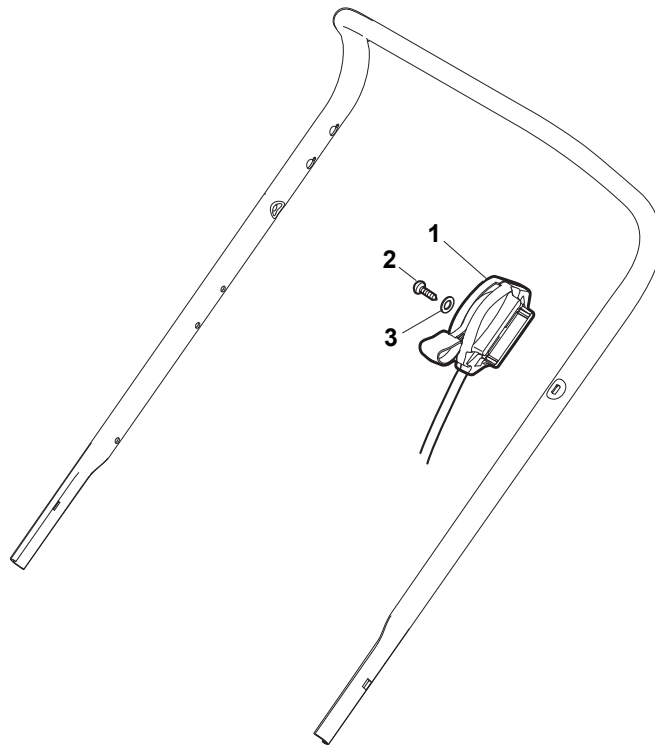
| Fig. | Quantity | Part No     | Description                | Notes   |
|------|----------|-------------|----------------------------|---|
| 1    | 1        | 381006838/0 | Handle, Upper Part Black   | for Delta Dashboard - Fix RPM - Throttle            |
| 1    | 1        | 381007522/0 | Handle, Upper Part Black   | for TD-CA Dashboard                                 |
| 1    | 1        | 381007525/0 | Handle, Upper Part Grey    | for TD-CA Dashboard                                 |
| 1    | 1        | 381007540/0 | Handle, Upper Part Yellow  | for Delta Dashboard - Fix RPM - Throttle            |
| 2    | 1        | 122430313/0 | Guide Spring               |   |
| 3    | 1        | 112521330/0 | Washer                     |   |
| 4    | 1        | 112154510/0 | Nut                        |   |
| 5    | 1        | 118390020/0 | Conduit Clip Caproeurope   |   |
| 6    | 1        | 181030053/0 | Cable, Thread Engine Brake | GGP Engine / B&S 450-500-550-575-625-675-750 Series |
| 6    | 1        | 181030070/0 | Cable, Thread Engine Brake | Honda Engine  |
| 7    | 1        | 322545204/0 | Fulcrum Pin                |   |
| 8    | 1        | 122041966/0 | Bushing                    |   |
| 9    | 1        | 181003300/1 | Lever, Engine Brake Black  |   |
| 10   | 1        | 381030092/1 | Cable Rear Drive           |   |
| 11   | 1        | 122041966/0 | Bushing                    |   |
| 12   | 1        | 181003301/0 | Drive Control Lever        |   |
| 13   | 1        | 122291050/0 | Handgrip Black             |   |



| Fig. | Quantity | Part No     | Description                | Notes   |
|------|----------|-------------|----------------------------|---|
| 1    | 1        | 381006840/0 | Handle, Upper Part         | for Delta Dashboard - Fix RPM - Throttle            |
| 1    | 1        | 381007520/0 | Handle, Upper Part         | for TD-CA Dashboard                                 |
| 2    | 1        | 122430313/0 | Guide Spring               |   |
| 3    | 1        | 112521330/0 | Washer                     |   |
| 4    | 1        | 112154510/0 | Nut                        |   |
| 5    | 1        | 118390020/0 | Conduit Clip Caproeuropa   |   |
| 6    | 1        | 181030053/0 | Cable, Thread Engine Brake | GGP Engine / B&S 450-500-550-575-625-675-750 Series |
| 6    | 1        | 181030054/0 | Cable, Thread Engine Brake | SV40 / RV 40 / V35 Engine                           |
| 6    | 1        | 181030070/0 | Cable, Thread Engine Brake | Honda Engine  |
| 9    | 1        | 181003363/1 | Lever, Engine Brake Black  |   |
| 10   | 1        | 381030092/1 | Cable Rear Drive           |   |
| 12   | 1        | 181003364/0 | Drive Control Lever        |   |
| 13   | 1        | 122291050/0 | Handgrip Black             |   |

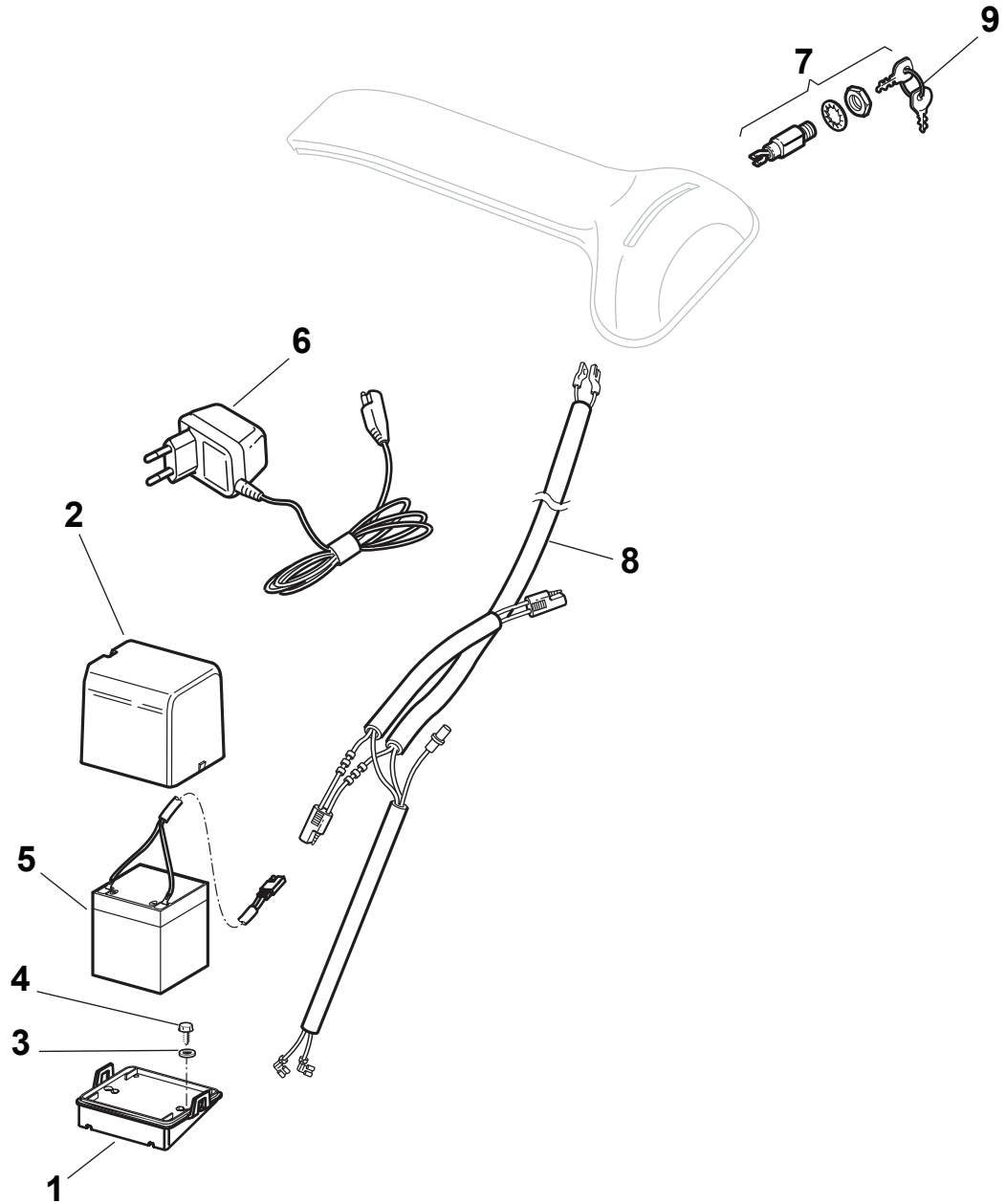


| Fig. | Quantity | Part No     | Description              | Notes   |
|------|----------|-------------|--------------------------|---|
| 1    | 1        | 481007160/0 | Throttle Cable           |   |
| 2    | 1        | 381007221/0 | Dashboard Throttle Lever | only for B&S 450-500 Series and SV40/RV40/V35 Engines |
| 2    | 1        | 381007280/2 | Dashboard Throttle Lever |   |
| 3    | 2        | 112735105/0 | Screw                    |   |
| 4    | 1        | 322981467/0 | Plate                    |   |
| 5    | 1        | 112791500/0 | Screw                    |   |
| 6    | 1        | 112530060/0 | Spring Washer            |   |
| 7    | 1        | 112523040/0 | Washer                   |   |
| 8    | 1        | 112523040/0 | Washer                   |   |
| 9    | 1        | 112154510/0 | Nut                      |   |
| 10   | 1        | 322120189/0 | Red Dashboard            |   |
| 11   | 1        | 114356743/1 | Label                    | for GGP and HONDA Engines                             |
| 11   | 1        | 114356744/1 | Label                    | for B&S Engines                                       |
| 11   | 1        | 114356906/1 | Label                    | for DOV Series  |
| 11   | 1        | 114357646/1 | Label                    | for HONDA Autochoke Engines                           |
| 12   | 1        | 122943006/0 | Screw                    |   |
| 13   | 1        | 112728460/0 | Screw                    |   |
| 14   | 1        | 381008609/0 | Outfit, Screws           |   |
| 15   | 1        | 422120152/0 | Yellow Dashboard         | Yellow  |
| 15   | 1        | 422120154/0 | Red Dashboard            | Red   |
| 15   | 1        | 422120158/0 | Black Dashboard          | Black   |

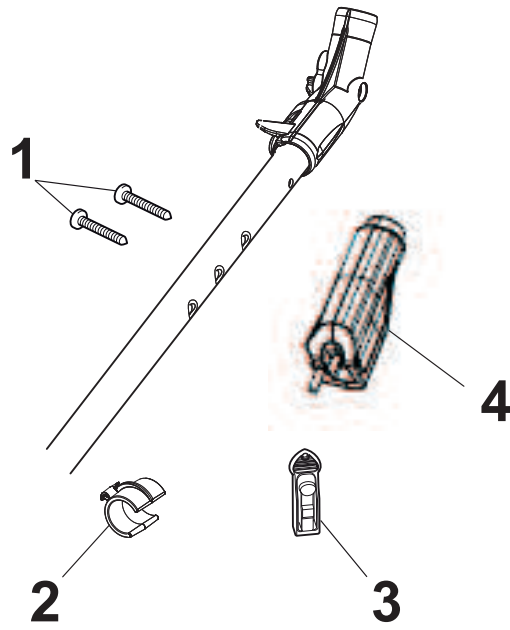




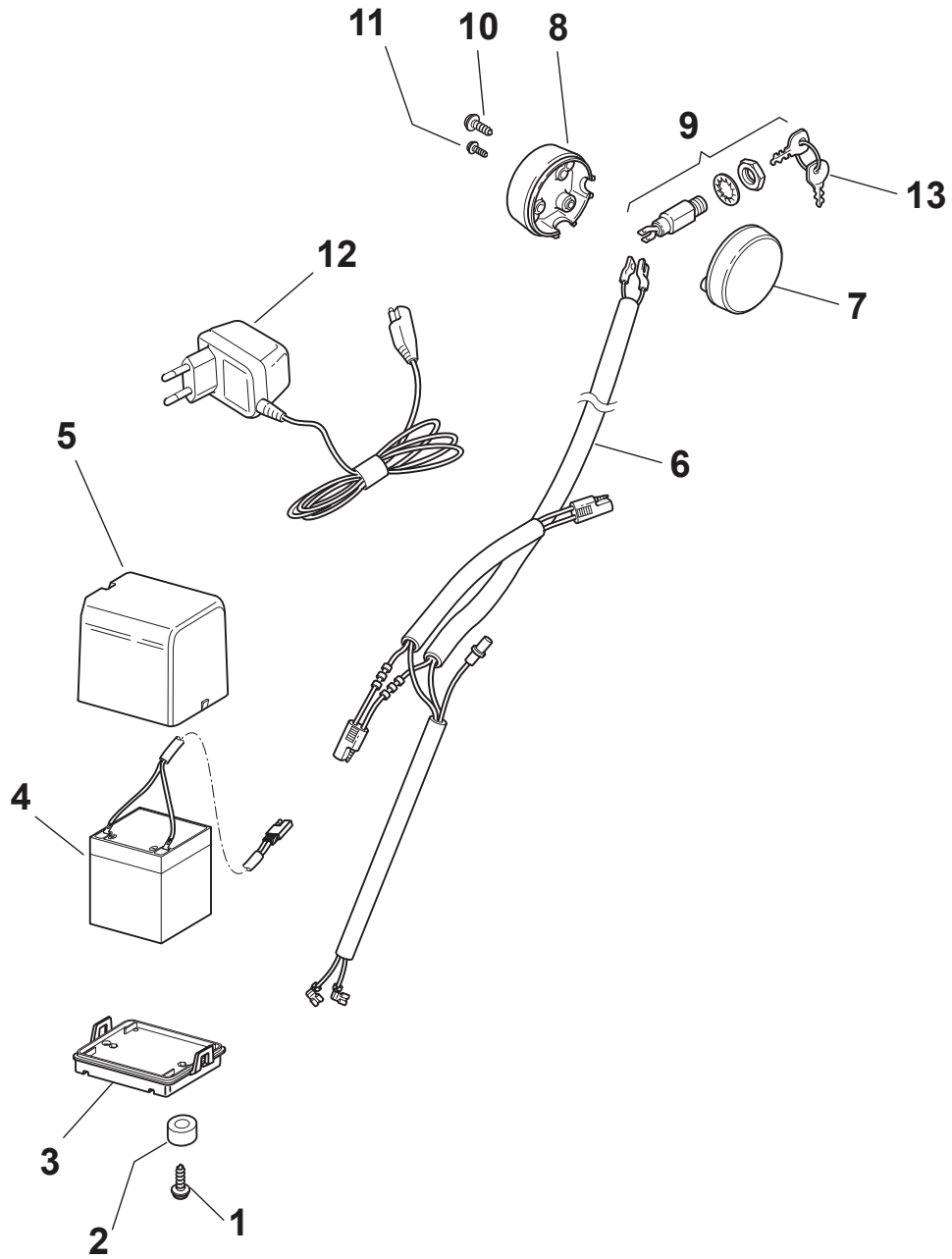
| Fig. | Quantity | Part No     | Description    | Notes                       |
|------|----------|-------------|----------------|-----------------------------|
| 1    | 1        | 181005503/1 | Throttle Cable | for HONDA AC Engines        |
| 1    | 1        | 181005504/1 | Throttle Cable | for SV40/RV40/V35 Engines   |
| 1    | 1        | 181005515/0 | Throttle Cable | for B&S 500-550-575 Series  |
| 1    | 1        | 181005537/0 | Throttle Cable | for GGP RS/RSC/RSCT Engines |
| 1    | 1        | 181005501/1 | Throttle Cable | for GGP and HONDA Engines   |
| 2    | 1        | 112735103/0 | Screw          |                             |
| 3    | 1        | 112523040/0 | Washer         |                             |



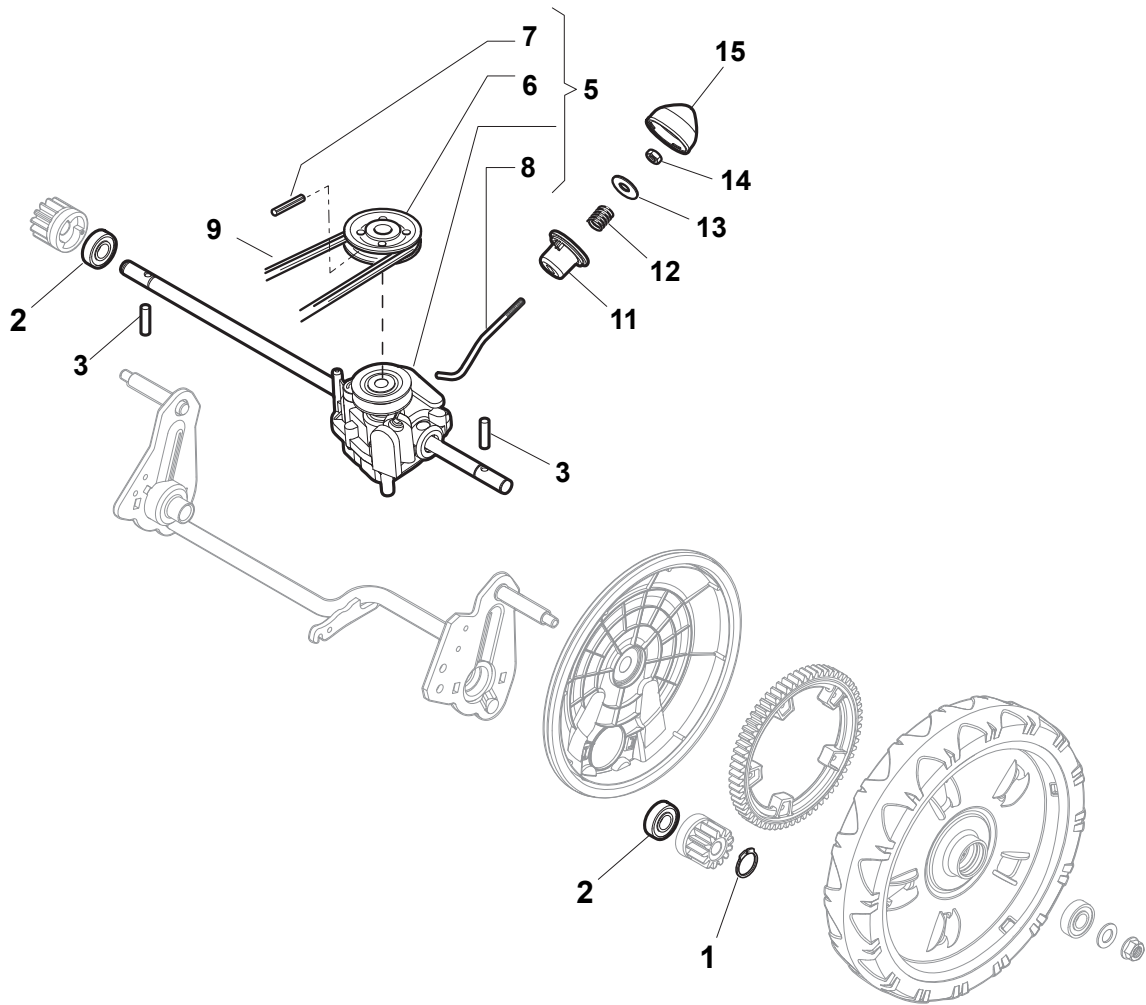
| Fig. | Quantity | Part No     | Description         | Notes                    |
|------|----------|-------------|---------------------|--------------------------|
| 1    | 1        | 322785123/0 | Battery Support     |                          |
| 2    | 1        | 322109530/0 | Battery Cover       |                          |
| 3    | 2        | 112521310/0 | Washer              |                          |
| 4    | 2        | 112731590/0 | Screw               |                          |
| 5    | 1        | 118120052/0 | Battery             |                          |
| 6    | 1        | 118204120/0 | Battery Charger     | CE plugg                 |
| 6    | 1        | 118204121/0 | Battery Charger     | UK plugg                 |
| 6    | 1        | 118204136/0 | Battery Charger     | CE plugg with B&S 775 IS |
| 7    | 1        | 118450051/0 | Switch              |                          |
| 8    | 1        | 118204198/0 | Electric Start Wire | for Honda Engines        |
| 8    | 1        | 118204192/3 | Electric Start Wire | for B&S and GGP Engines  |
| 9    | 1        | 118210016/1 | Starting Key        |                          |



| Fig. | Quantity | Part No     | Description                   | Notes            |
|------|----------|-------------|-------------------------------|------------------|
| 1    | 1        | 112728702/0 | Screw                         | without Varietor |
| 1    | 1        | 112728300/0 | Screw                         | with Varietor    |
| 2    | 1        | 133320022/0 | Fastpoint Clamp Art.0384.Aa01 |                  |
| 3    | 1        | 322076570/1 | Battery Safety Key            |                  |
| 4    | 1        | 381600400/0 | Switch                        |                  |

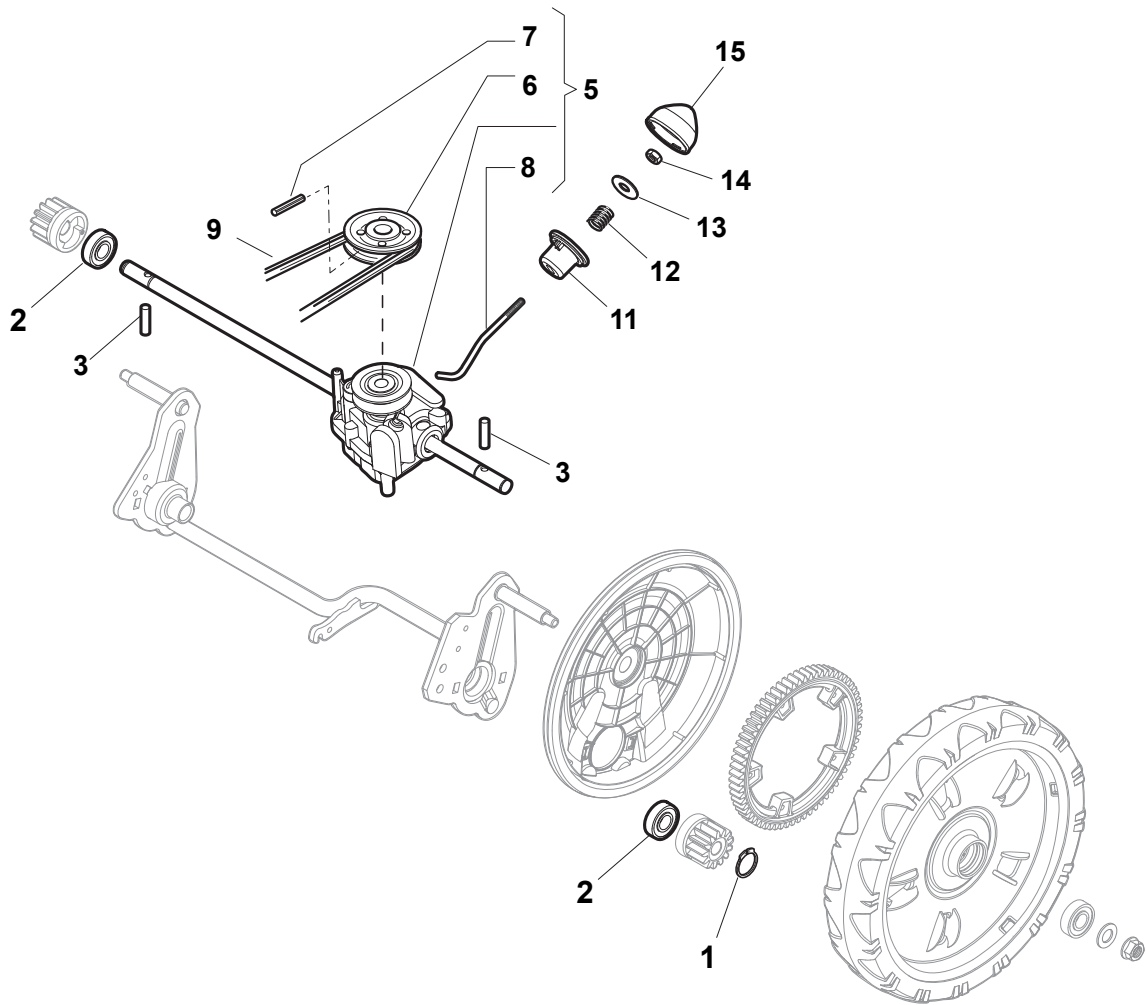


| Fig. | Quantity | Part No     | Description                       | Notes                   |
|------|----------|-------------|-----------------------------------|-------------------------|
| 1    | 2        | 112731590/0 | Screw                             |                         |
| 2    | 2        | 125160012/0 | Spacer                            |                         |
| 3    | 1        | 322785123/0 | Battery Support                   |                         |
| 4    | 1        | 118120052/0 | Battery                           |                         |
| 5    | 1        | 322109530/0 | Battery Cover                     |                         |
| 6    | 1        | 118204192/3 | Electric Start Wire               | for B&S and GGP Engines |
| 6    | 1        | 118204198/0 | Electric Start Wire               | for Honda Engines       |
| 7    | 1        | 322722801/0 | Starting Block Outer Half-Bearing |                         |
| 8    | 1        | 322722800/0 | Starting Block Inner Half-Bearing |                         |
| 9    | 1        | 118450050/0 | Starting Block                    |                         |
| 10   | 2        | 112728702/0 | Screw                             |                         |
| 11   | 1        | 112728691/0 | Screw                             |                         |
| 12   | 1        | 118204120/0 | Battery Charger                   | CE plugg                |
| 12   | 1        | 118204136/0 | Battery Charger                   | CE plugg with B&S 775IS |
| 12   | 1        | 118204121/0 | Battery Charger                   | UK plugg                |
| 13   | 1        | 118210016/1 | Starting Key                      |                         |



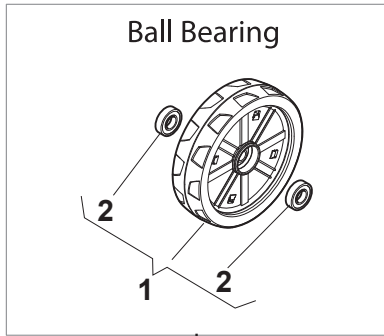


| Fig. | Quantity | Part No     | Description    | Notes |
|------|----------|-------------|----------------|-------|
| 1    | 2        | 112608600/0 | Seeger         |       |
| 2    | 2        | 119216035/0 | Bearing        |       |
| 3    | 2        | 122753000/0 | Pin            |       |
| 5    | 1        | 181003076/1 | Gear Box       |       |
| 6    | 1        | 122601904/0 | Pulley         |       |
| 7    | 1        | 112645700/0 | Elastic Pin    |       |
| 8    | 1        | 122033283/0 | Adjustment Rod |       |
| 9    | 1        | 135063902/0 | Belt           |       |
| 11   | 1        | 122041957/1 | Bushing        |       |
| 12   | 1        | 122450063/0 | Spring         |       |
| 13   | 1        | 322680009/0 | Washer         |       |
| 14   | 1        | 112154510/0 | Nut            |       |
| 15   | 1        | 122110230/0 | Hub Cover      |       |

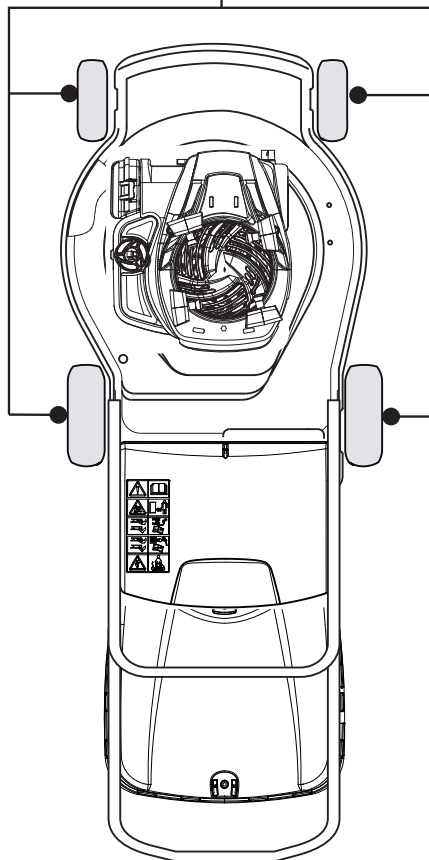
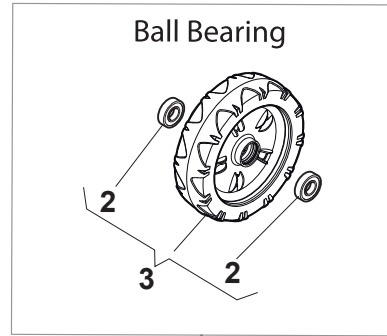


| Fig. | Quantity | Part No     | Description    | Notes |
|------|----------|-------------|----------------|-------|
| 1    | 2        | 112608600/0 | Seeger         |       |
| 2    | 2        | 119216035/0 | Bearing        |       |
| 3    | 2        | 122753000/0 | Pin            |       |
| 5    | 1        | 181003076/1 | Gear Box       |       |
| 6    | 1        | 122601904/0 | Pulley         |       |
| 7    | 1        | 112645700/0 | Elastic Pin    |       |
| 8    | 1        | 122033283/0 | Adjustment Rod |       |
| 9    | 1        | 135063902/0 | Belt           |       |
| 11   | 1        | 122041957/1 | Bushing        |       |
| 12   | 1        | 122450063/0 | Spring         |       |
| 13   | 1        | 322680009/0 | Washer         |       |
| 14   | 1        | 112154510/0 | Nut            |       |
| 15   | 1        | 122110230/0 | Hub Cover      |       |

DELTA Wheels - Ø 200

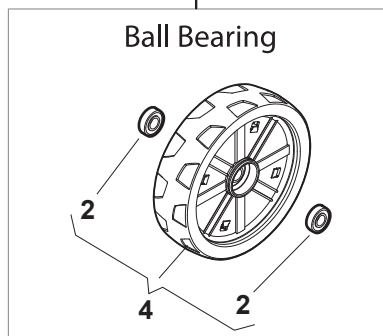
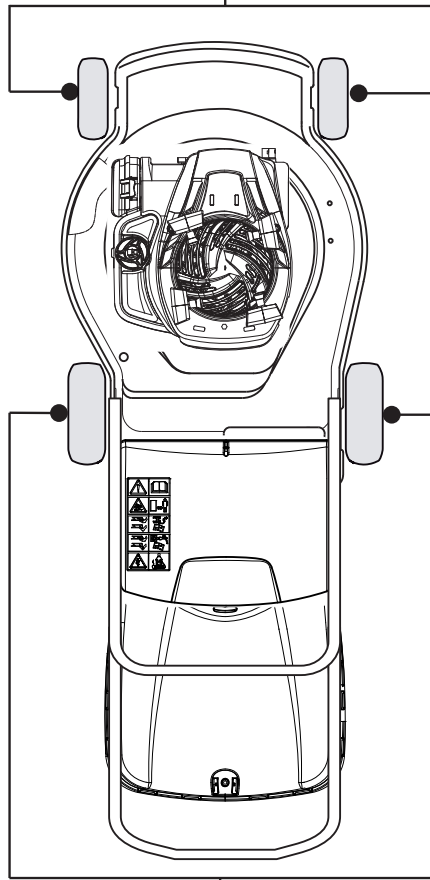
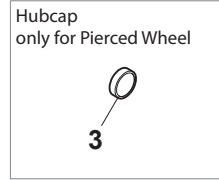
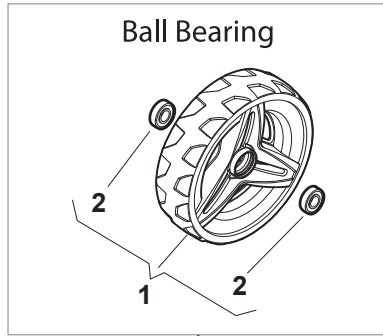


NTD Wheels - Ø 200



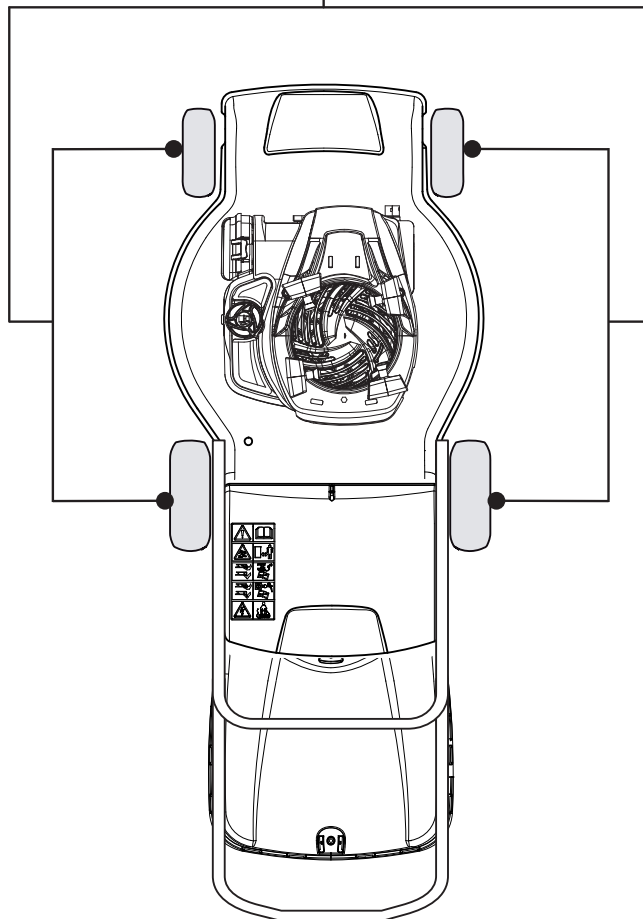
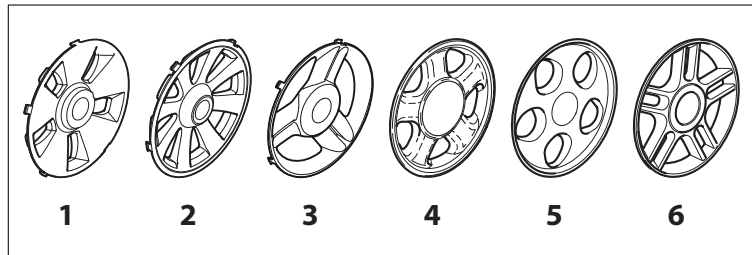
| Fig. | Quantity | Part No     | Description | Notes |
|------|----------|-------------|-------------|-------|
| 1    | 4        | 381007483/1 | Wheel       |       |
| 2    | 8        | 119216035/0 | Bearing     |       |
| 3    | 4        | 381007416/2 | Wheel       |       |

### DELTA Wheel (Pierced) - Ø 200



### DELTA Wheel - Ø 200

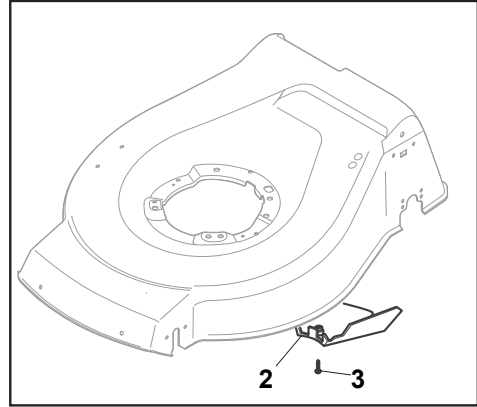
| Fig. | Quantity | Part No     | Description  | Notes |
|------|----------|-------------|--------------|-------|
| 1    | 2        | 381007477/0 | Wheel        |       |
| 2    | 8        | 119216035/0 | Bearing      |       |
| 3    | 2        | 322110640/0 | Hub Cap Grey |       |
| 4    | 2        | 381007483/1 | Wheel        |       |



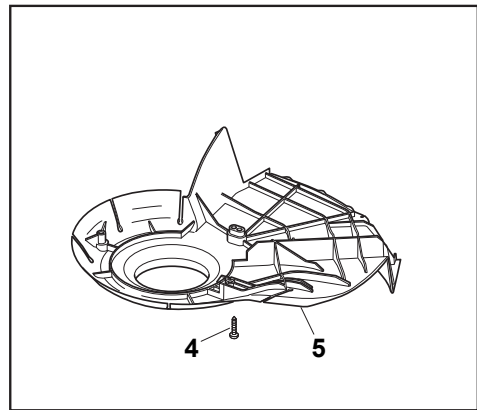


| Fig. | Quantity | Part No     | Description    | Notes |
|------|----------|-------------|----------------|-------|
| 1    | 4        | 322110643/0 | Hub Cap Grey   |       |
| 2    | 4        | 322110645/0 | Hub Cap Grey   |       |
| 2    | 4        | 322110649/0 | Hub Cap Yellow |       |
| 3    | 4        | 322110687/0 | Hub Cap Grey   |       |
| 4    | 4        | 322110382/0 | Hub Cap Grey   |       |
| 5    | 4        | 322110416/0 | Hub Cap Grey   |       |
| 6    | 4        | 322110492/0 | Hub Cap Grey   |       |

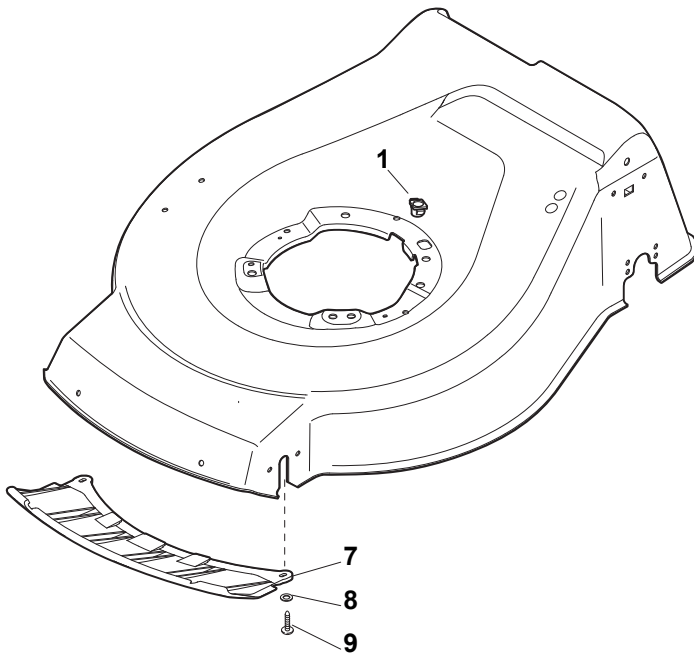
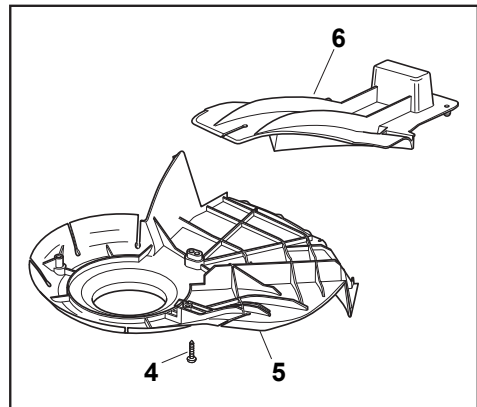
CARTER STANDARD (No Mulching)



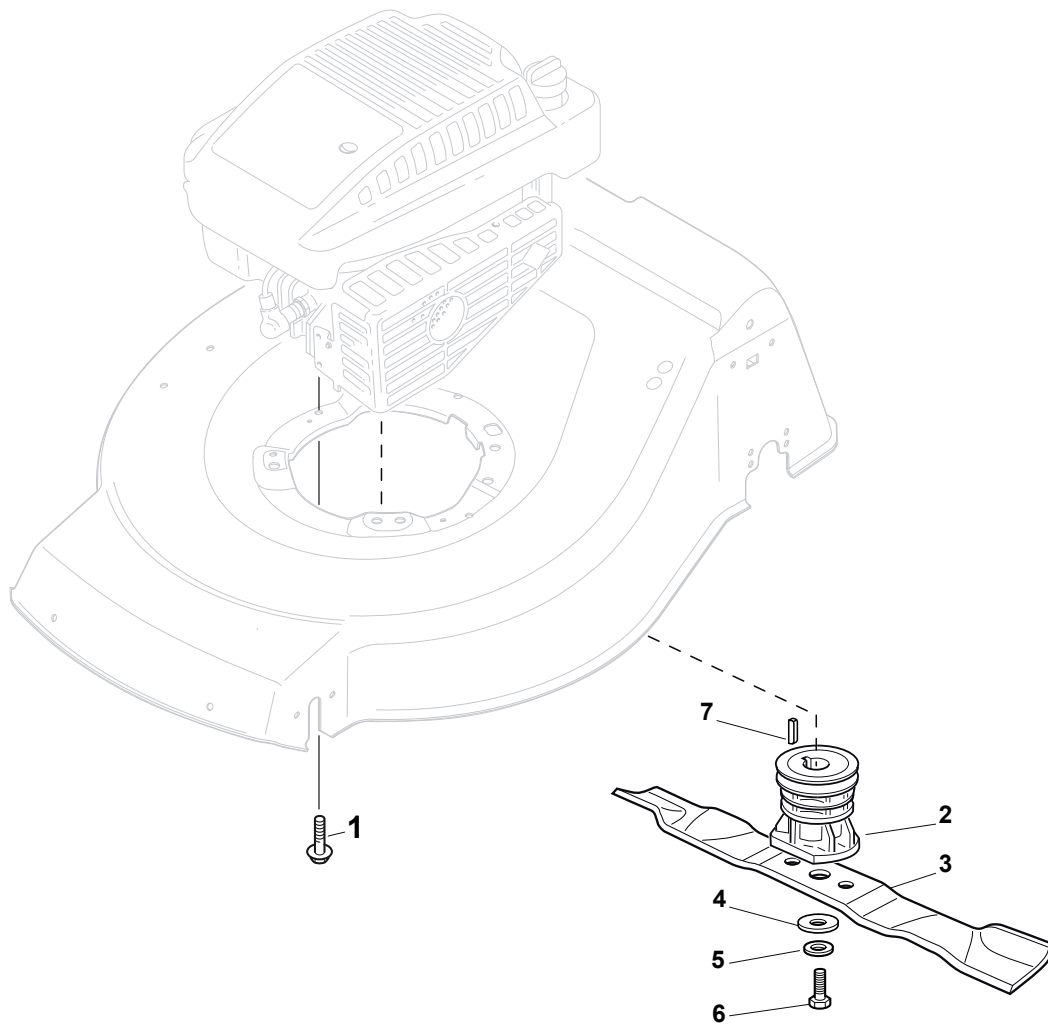
CARTER MULCHING (No Mulching)



KIT MULCHING



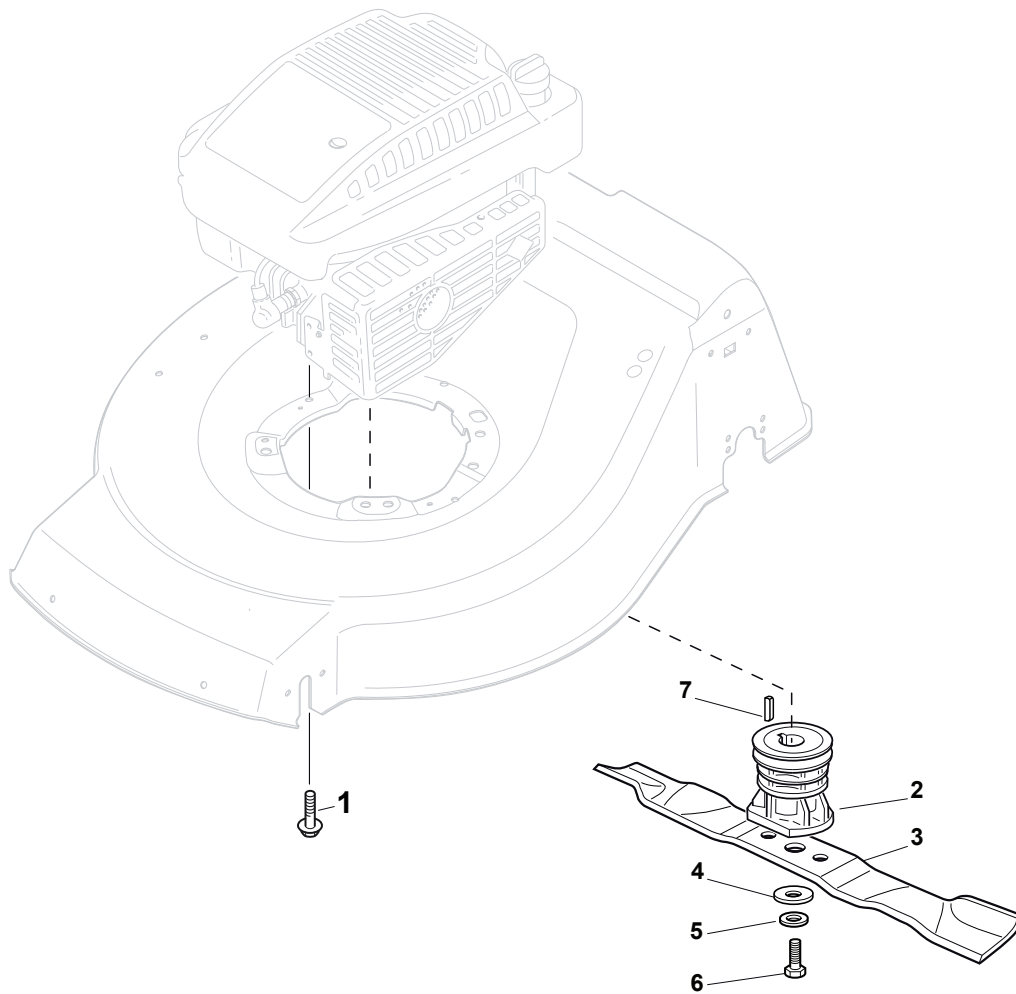
| Fig. | Quantity | Part No     | Description        | Notes              |
|------|----------|-------------|--------------------|--------------------|
| 1    | 1        | 322291150/0 | Rubber Insert      |                    |
| 2    | 1        | 122060193/0 | Belt Protection    |                    |
| 3    | 1        | 112728530/0 | Screw              |                    |
| 4    | 3        | 112728530/0 | Screw              |                    |
| 5    | 1        | 322060197/3 | Belt Protection    | Not for BBC models |
| 6    | 1        | 122140222/0 | Mulching Deflector |                    |
| 7    | 1        | 322500103/0 | Front Combi        |                    |
| 8    | 2        | 112523000/1 | Washer             |                    |
| 9    | 2        | 112728124/0 | Screw              |                    |



WBH Petrol Steel Blade

Issue 9 - 2015

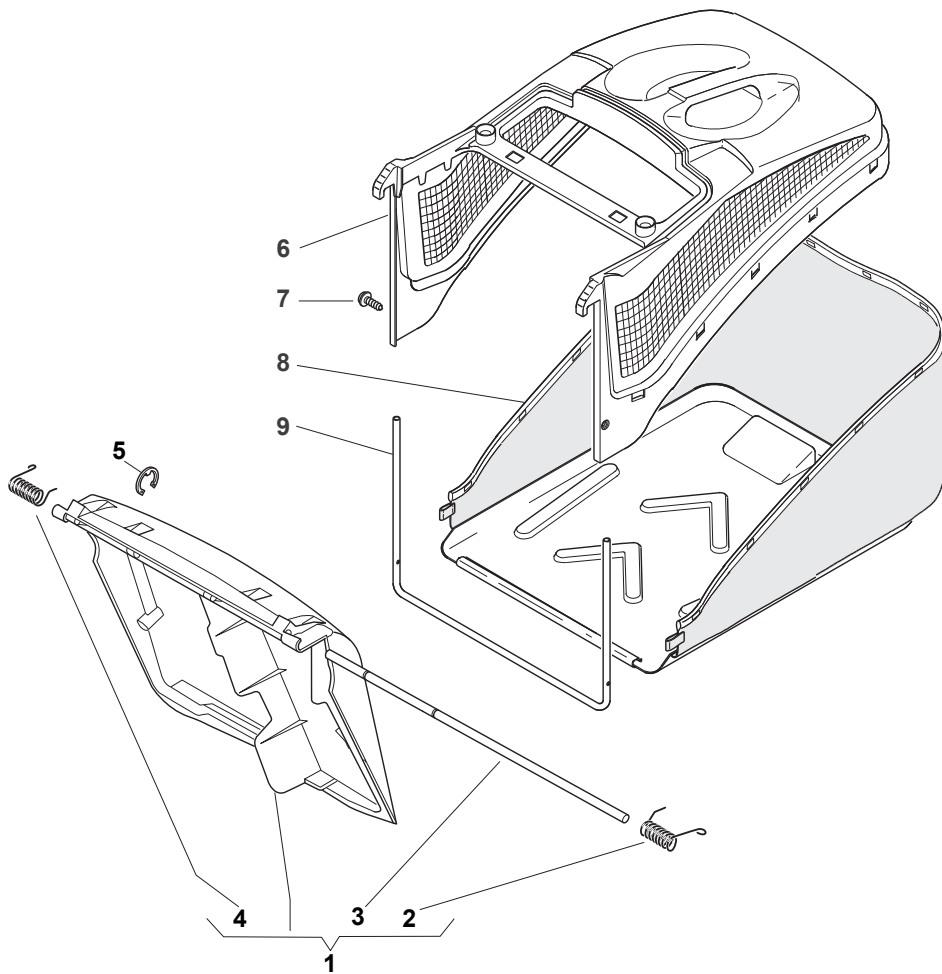
| Fig. | Quantity | Part No     | Description                        | Notes                   |
|------|----------|-------------|------------------------------------|-------------------------|
| 1    | 3        | 112735108/1 | Screw                              |                         |
| 2    | 1        | 122465607/3 | Hub With Pulley, Crankshaft Ø 22.2 | for B&S and GGP Engines |
| 2    | 1        | 122465608/2 | Hub With Pulley, Crankshaft Ø 25   | for HONDA Engines       |
| 3    | 1        | 181004381/1 | Blade Standard                     |                         |
| 4    | 1        | 122160400/0 | Elastic Disc                       |                         |
| 5    | 1        | 112523080/0 | Washer                             |                         |
| 6    | 1        | 112735698/0 | Screw                              |                         |
| 7    | 1        | 112139100/0 | Feather, Crankshaft Ø 22,2         | for B&S and GGP Engines |
| 7    | 1        | 112139150/0 | Feather, Crankshaft Ø 25           | for HONDA Engines       |



WBH Petrol Steel Blade - for Delta Grasscatcher

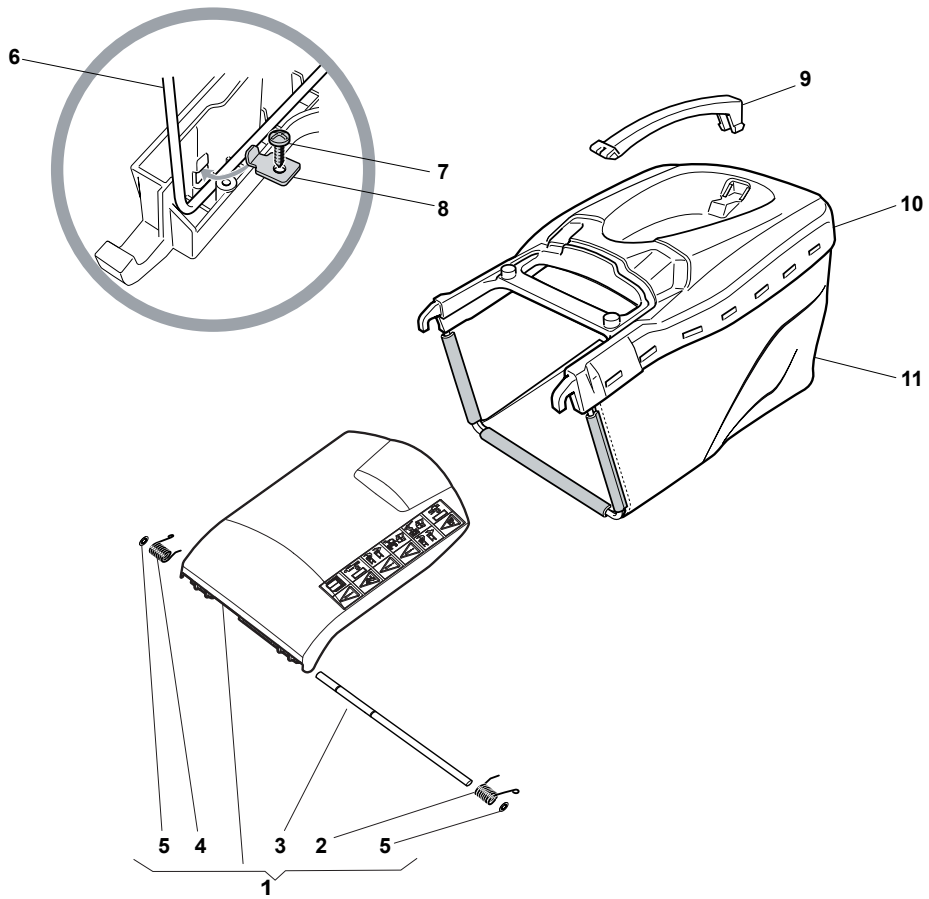
Issue 9 - 2015

| Fig. | Quantity | Part No     | Description                        | Notes                   |
|------|----------|-------------|------------------------------------|-------------------------|
| 1    | 3        | 112735108/1 | Screw                              |                         |
| 2    | 1        | 122465607/3 | Hub With Pulley, Crankshaft Ø 22.2 | for B&S and GGP Engines |
| 2    | 1        | 122465608/2 | Hub With Pulley, Crankshaft Ø 25   | for HONDA Engines       |
| 3    | 1        | 181004398/0 | Blade Winged                       |                         |
| 4    | 1        | 122160400/0 | Elastic Disc                       |                         |
| 5    | 1        | 112523080/0 | Washer                             |                         |
| 6    | 1        | 112735698/0 | Screw                              |                         |
| 7    | 1        | 112139100/0 | Feather, Crankshaft Ø 22,2         | for B&S and GGP Engines |
| 7    | 1        | 112139150/0 | Feather, Crankshaft Ø 25           | for HONDA Engines       |

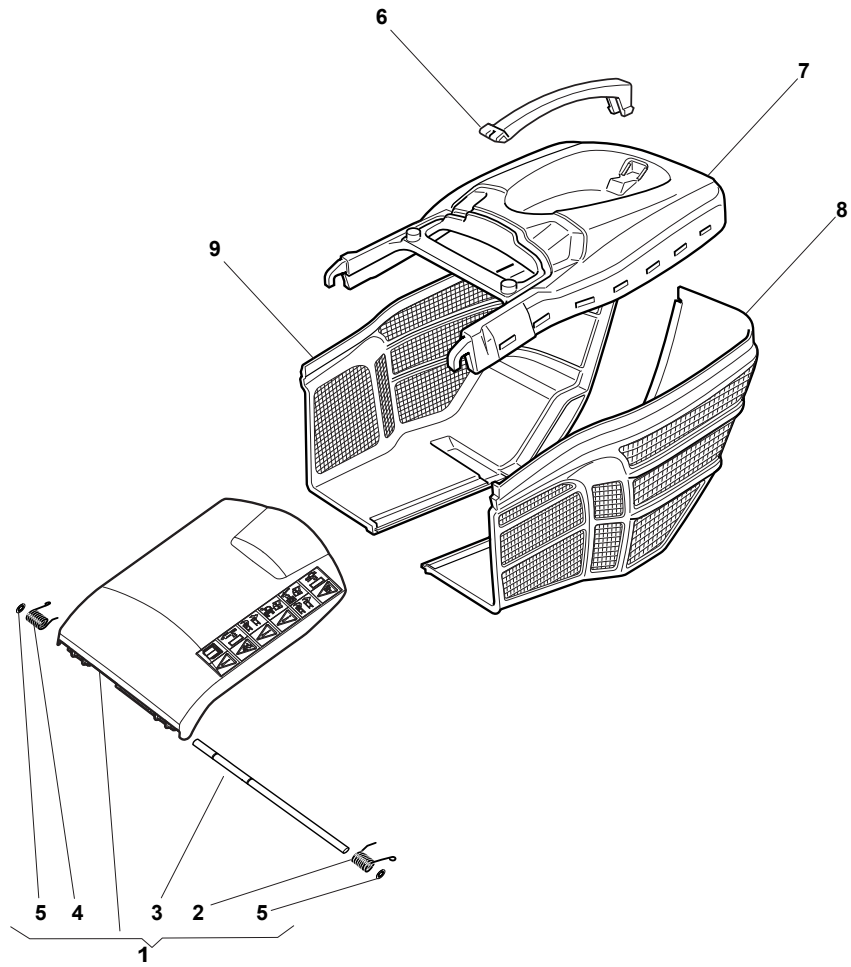




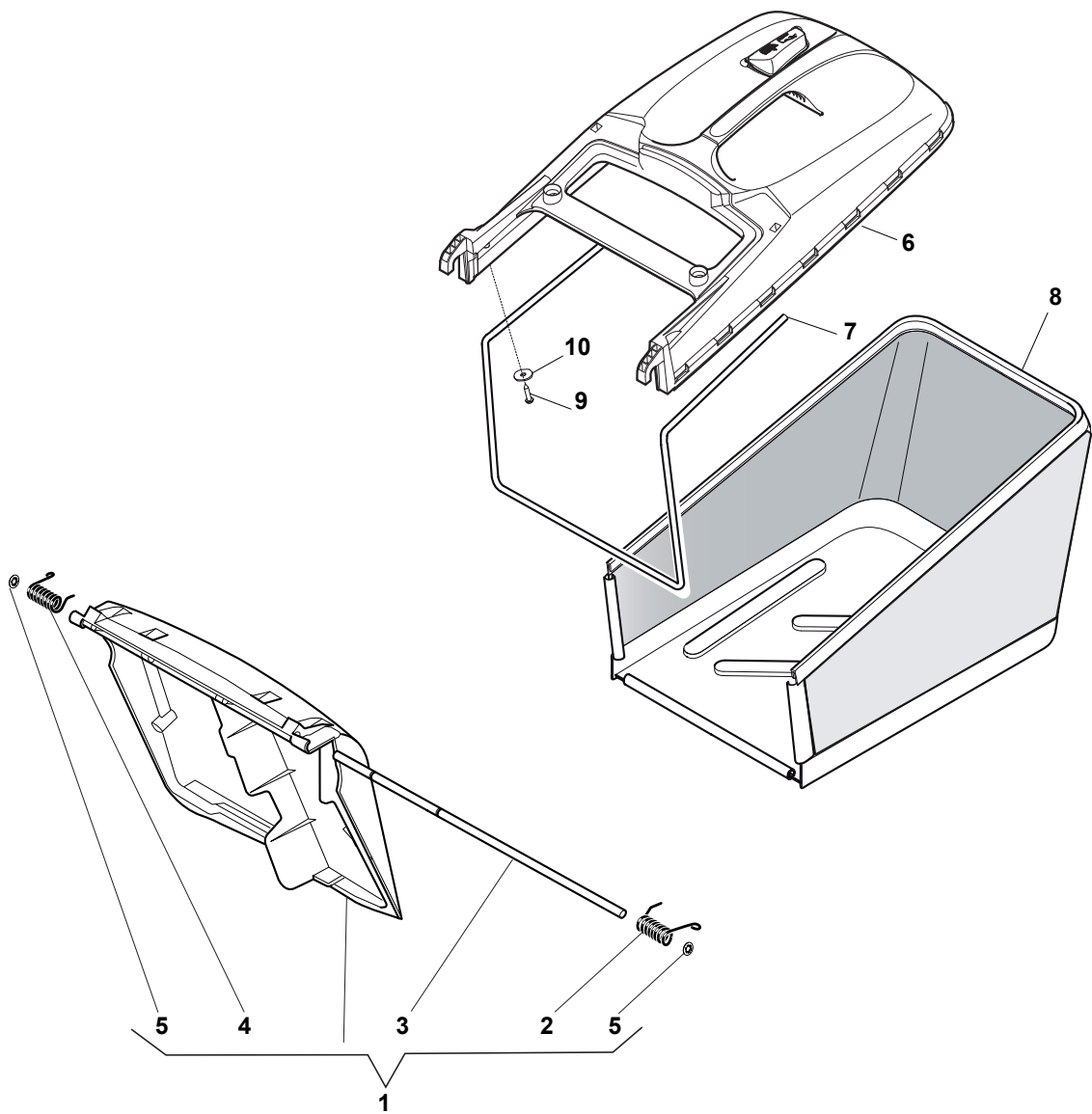
| Fig. | Quantity | Part No     | Description            | Notes |
|------|----------|-------------|------------------------|-------|
| 1    | 1        | 381008021/2 | Stone Guard            | Black |
| 2    | 1        | 122450420/1 | Left Protection Spring |       |
| 3    | 1        | 122517906/1 | Fulcrum Pin            |       |
| 4    | 1        | 122450410/1 | Right Spring           |       |
| 5    | 1        | 112000930/0 | Benzing Ring           |       |
| 6    | 1        | 122486093/0 | Box, Upper Side        |       |
| 7    | 2        | 112728445/0 | Screw                  |       |
| 8    | 1        | 181002195/0 | Box, Fabric            |       |
| 9    | 1        | 122608523/0 | Stiffening             |       |



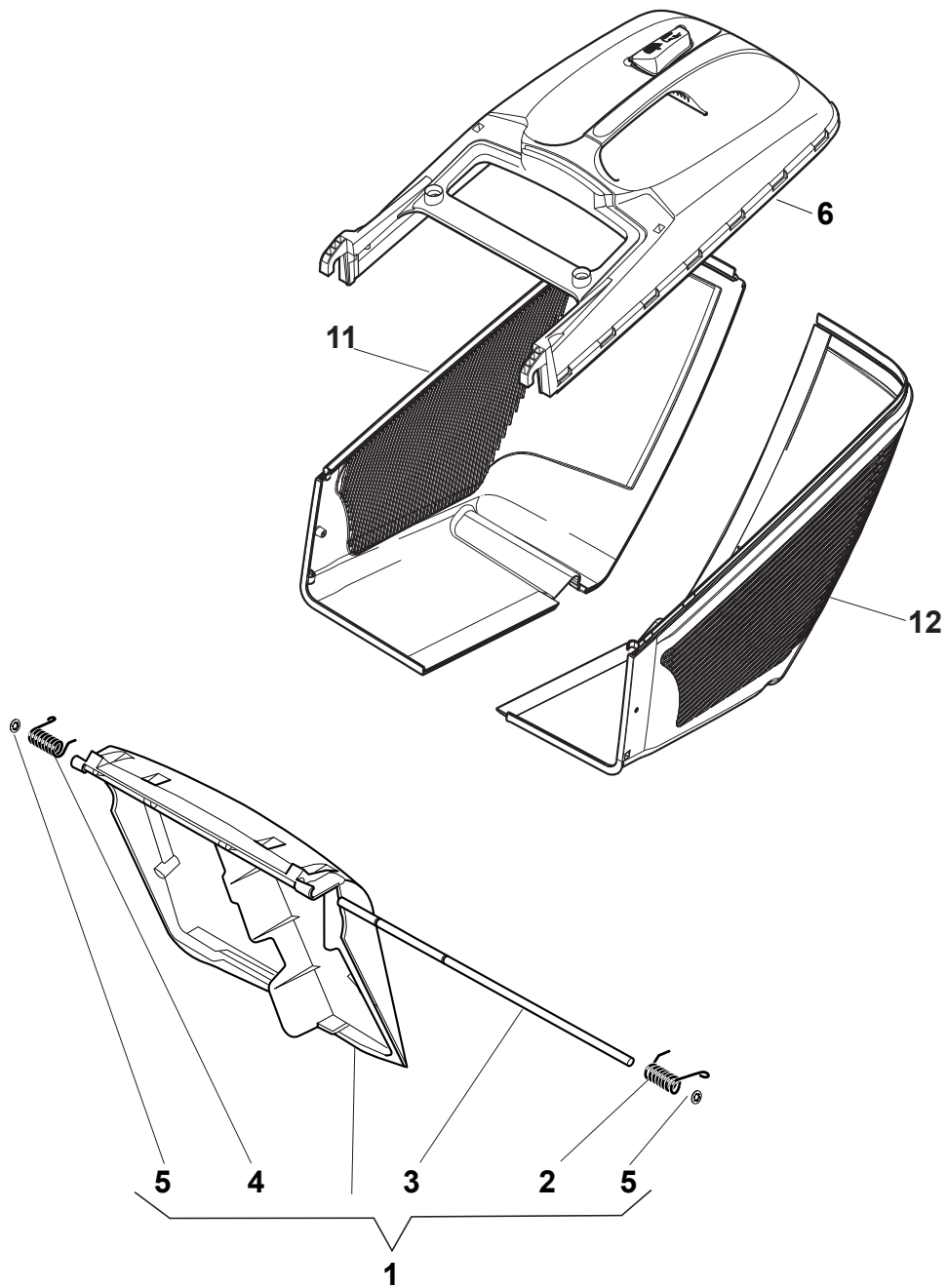
| Fig. | Quantity | Part No     | Description         | Notes  |
|------|----------|-------------|---------------------|--------|
| 1    | 1        | 381008129/0 | Stone Guard, Yellow | Yellow |
| 1    | 1        | 381008128/0 | Stone Guard, Black  | Black  |
| 2    | 1        | 122450466/0 | Left Spring         |        |
| 3    | 1        | 122517882/0 | Pin                 |        |
| 4    | 1        | 122450465/0 | Right Spring        |        |
| 5    | 2        | 112604899/0 | Crown Fastener      |        |
| 6    | 1        | 122608505/0 | Stiffening          |        |
| 7    | 2        | 112728680/0 | Screw               |        |
| 8    | 2        | 322545159/0 | Plate               |        |
| 9    | 1        | 322393657/0 | Handle              | Black  |
| 9    | 1        | 322393721/0 | Handle              | Grey   |
| 10   | 1        | 381486009/0 | Grass-Box, Upper    | Black  |
| 10   | 1        | 381486031/0 | Grass-Box, Upper    | Grey   |
| 11   | 1        | 181002345/0 | Box, Fabric         |        |



| Fig. | Quantity | Part No     | Description         | Notes  |
|------|----------|-------------|---------------------|--------|
| 1    | 1        | 381008129/0 | Stone Guard, Yellow | Yellow |
| 1    | 1        | 381008128/0 | Stone Guard, Black  | Black  |
| 2    | 1        | 122450466/0 | Left Spring         |        |
| 3    | 1        | 122517882/0 | Pin                 |        |
| 4    | 1        | 122450465/0 | Right Spring        |        |
| 5    | 2        | 112604899/0 | Crown Fastener      |        |
| 6    | 1        | 322393657/0 | Handle              | Black  |
| 6    | 1        | 322393721/0 | Handle              | Grey   |
| 7    | 1        | 381486009/0 | Grass-Box, Upper    | Black  |
| 7    | 1        | 381486031/0 | Grass-Box, Upper    | Grey   |
| 8    | 1        | 322486306/0 | Grass-Box, L Lower  | Black  |
| 9    | 1        | 322486305/0 | Grass-Box, R Lower  | Black  |



| Fig. | Quantity | Part No     | Description           | Notes  |
|------|----------|-------------|-----------------------|--------|
| 1    | 1        | 381008081/2 | Stone Guard, Black    | Black  |
| 1    | 1        | 381008098/1 | Stone Guard, White    | White  |
| 1    | 1        | 381008082/2 | Stone Guard, Yellow   | Yellow |
| 2    | 1        | 122450466/0 | Left Spring           |        |
| 3    | 1        | 122517882/0 | Pin                   |        |
| 4    | 1        | 122450465/0 | Right Spring          |        |
| 5    | 2        | 112604899/0 | Crown Fastener        |        |
| 6    | 1        | 381486008/0 | Grass-Box, Upper Part | Black  |
| 6    | 1        | 381486030/0 | Grass-Box, Upper Part | Grey   |
| 6    | 1        | 381486012/0 | Grass-Box, Upper Part | Yellow |
| 7    | 1        | 122608525/1 | Stiffening Lower      |        |
| 8    | 1        | 181002211/0 | Box, Fabric           |        |
| 9    | 2        | 112728680/0 | Screw                 |        |
| 10   | 2        | 112523050/0 | Washer                |        |





| Fig. | Quantity | Part No     | Description                 | Notes  |
|------|----------|-------------|-----------------------------|--------|
| 1    | 1        | 381008081/2 | Stone Guard, Black          | Black  |
| 1    | 1        | 381008098/1 | Stone Guard, White          | White  |
| 1    | 1        | 381008082/2 | Stone Guard, Yellow         | Yellow |
| 2    | 1        | 122450466/0 | Left Spring                 |        |
| 3    | 1        | 122517882/0 | Pin                         |        |
| 4    | 1        | 122450465/0 | Right Spring                |        |
| 5    | 2        | 112604899/0 | Crown Fastener              |        |
| 6    | 1        | 381486008/0 | Grass-Box, Upper Part       | Black  |
| 6    | 1        | 381486030/0 | Grass-Box, Upper Part       | Grey   |
| 6    | 1        | 381486012/0 | Grass-Box, Upper Part       | Yellow |
| 11   | 1        | 322486150/1 | Grass-Box, Right Lower Part |        |
| 12   | 1        | 322486151/1 | Grass-Box, Left Lower Part  |        |

| code        | pos. | q.ty | page  |             |    |   |       |             |    |   |       |  |  |
|-------------|------|------|-------|-------------|----|---|-------|-------------|----|---|-------|--|--|
| 112000930/0 | 5    | 1    | p. 49 | 112727786/0 | 14 | 1 | p. 13 | 118390020/0 | 5  | 1 | p. 21 |  |  |
| 112000930/0 | 11   | 1    | p. 17 | 112727787/0 | 2  | 1 | p. 17 | 118450050/0 | 9  | 1 | p. 31 |  |  |
| 112139100/0 | 7    | 1    | p. 45 | 112727799/0 | 6  | 2 | p. 7  | 118450051/0 | 7  | 1 | p. 27 |  |  |
| 112139100/0 | 7    | 1    | p. 47 | 112727799/0 | 17 | 2 | p. 7  | 119216035/0 | 2  | 2 | p. 33 |  |  |
| 112139150/0 | 7    | 1    | p. 45 | 112727801/0 | 15 | 1 | p. 3  | 119216035/0 | 2  | 2 | p. 35 |  |  |
| 112139150/0 | 7    | 1    | p. 47 | 112727803/0 | 3  | 2 | p. 5  | 119216035/0 | 2  | 8 | p. 37 |  |  |
| 112150000/0 | 8    | 1    | p. 3  | 112727803/0 | 13 | 3 | p. 3  | 119216035/0 | 2  | 8 | p. 39 |  |  |
| 112154220/0 | 23   | 2    | p. 13 | 112727812/0 | 19 | 2 | p. 13 | 122033283/0 | 8  | 1 | p. 33 |  |  |
| 112154220/0 | 23   | 2    | p. 15 | 112727812/0 | 19 | 2 | p. 15 | 122033283/0 | 8  | 1 | p. 35 |  |  |
| 112154330/0 | 9    | 2    | p. 13 | 112728124/0 | 3  | 2 | p. 7  | 122041957/1 | 11 | 1 | p. 33 |  |  |
| 112154330/0 | 9    | 2    | p. 15 | 112728124/0 | 9  | 2 | p. 43 | 122041957/1 | 11 | 1 | p. 35 |  |  |
| 112154510/0 | 4    | 1    | p. 3  | 112728300/0 | 1  | 1 | p. 29 | 122041966/0 | 8  | 1 | p. 19 |  |  |
| 112154510/0 | 4    | 1    | p. 19 | 112728300/0 | 14 | 2 | p. 7  | 122041966/0 | 11 | 1 | p. 19 |  |  |
| 112154510/0 | 4    | 1    | p. 21 | 112728445/0 | 7  | 2 | p. 49 | 122060193/0 | 2  | 1 | p. 43 |  |  |
| 112154510/0 | 5    | 2    | p. 5  | 112728450/0 | 18 | 1 | p. 3  | 122110230/0 | 15 | 1 | p. 33 |  |  |
| 112154510/0 | 6    | 1    | p. 17 | 112728460/0 | 13 | 1 | p. 23 | 122110230/0 | 15 | 1 | p. 35 |  |  |
| 112154510/0 | 7    | 1    | p. 17 | 112728530/0 | 3  | 1 | p. 43 | 122131750/0 | 6  | 4 | p. 9  |  |  |
| 112154510/0 | 8    | 2    | p. 7  | 112728530/0 | 4  | 3 | p. 43 | 122140222/0 | 6  | 1 | p. 43 |  |  |
| 112154510/0 | 9    | 1    | p. 23 | 112728680/0 | 7  | 2 | p. 51 | 122160400/0 | 4  | 1 | p. 45 |  |  |
| 112154510/0 | 12   | 3    | p. 13 | 112728680/0 | 9  | 2 | p. 55 | 122160400/0 | 4  | 1 | p. 47 |  |  |
| 112154510/0 | 12   | 3    | p. 15 | 112728691/0 | 11 | 1 | p. 31 | 122291050/0 | 13 | 1 | p. 19 |  |  |
| 112154510/0 | 14   | 1    | p. 33 | 112728697/0 | 9  | 2 | p. 7  | 122291050/0 | 13 | 1 | p. 21 |  |  |
| 112154510/0 | 14   | 1    | p. 35 | 112728697/0 | 33 | 4 | p. 3  | 122430309/0 | 8  | 1 | p. 13 |  |  |
| 112154510/0 | 14   | 3    | p. 3  | 112728697/0 | 35 | 4 | p. 3  | 122430309/0 | 8  | 1 | p. 15 |  |  |
| 112154510/0 | 15   | 1    | p. 11 | 112728702/0 | 1  | 1 | p. 29 | 122430313/0 | 2  | 1 | p. 19 |  |  |
| 112154510/0 | 17   | 1    | p. 3  | 112728702/0 | 10 | 2 | p. 31 | 122430313/0 | 2  | 1 | p. 21 |  |  |
| 112154510/0 | 18   | 2    | p. 7  | 112728706/0 | 39 | 6 | p. 3  | 122430313/0 | 9  | 1 | p. 17 |  |  |
| 112155000/0 | 12   | 2    | p. 9  | 112728721/0 | 13 | 2 | p. 13 | 122446192/0 | 41 | 1 | p. 3  |  |  |
| 112155000/0 | 12   | 2    | p. 11 | 112728721/0 | 13 | 2 | p. 15 | 122450063/0 | 12 | 1 | p. 33 |  |  |
| 112155000/0 | 25   | 4    | p. 3  | 112731590/0 | 1  | 2 | p. 31 | 122450063/0 | 12 | 1 | p. 35 |  |  |
| 112155000/0 | 27   | 1    | p. 13 | 112731590/0 | 4  | 2 | p. 27 | 122450410/1 | 4  | 1 | p. 49 |  |  |
| 112155000/0 | 27   | 1    | p. 15 | 112735103/0 | 2  | 1 | p. 25 | 122450420/1 | 2  | 1 | p. 49 |  |  |
| 112293200/0 | 7    | 4    | p. 11 | 112735105/0 | 3  | 2 | p. 23 | 122450456/0 | 7  | 1 | p. 5  |  |  |
| 112369500/0 | 9    | 1    | p. 3  | 112735108/1 | 1  | 3 | p. 45 | 122450465/0 | 4  | 1 | p. 51 |  |  |
| 112436051/0 | 12   | 1    | p. 3  | 112735108/1 | 1  | 3 | p. 47 | 122450465/0 | 4  | 1 | p. 53 |  |  |
| 112521310/0 | 3    | 2    | p. 27 | 112735662/1 | 10 | 4 | p. 13 | 122450465/0 | 4  | 1 | p. 55 |  |  |
| 112521310/0 | 7    | 1    | p. 3  | 112735662/1 | 10 | 4 | p. 15 | 122450465/0 | 4  | 1 | p. 57 |  |  |
| 112521330/0 | 3    | 1    | p. 19 | 112735698/0 | 6  | 1 | p. 45 | 122450466/0 | 2  | 1 | p. 51 |  |  |
| 112521330/0 | 3    | 1    | p. 21 | 112735698/0 | 6  | 1 | p. 47 | 122450466/0 | 2  | 1 | p. 53 |  |  |
| 112521330/0 | 8    | 1    | p. 17 | 112760605/0 | 10 | 2 | p. 9  | 122450466/0 | 2  | 1 | p. 55 |  |  |
| 112521350/0 | 24   | 4    | p. 3  | 112760605/0 | 10 | 4 | p. 11 | 122450466/0 | 2  | 1 | p. 57 |  |  |
| 112523000/1 | 2    | 2    | p. 7  | 112760605/0 | 30 | 1 | p. 13 | 122465607/3 | 2  | 1 | p. 45 |  |  |
| 112523000/1 | 8    | 2    | p. 43 | 112760605/0 | 30 | 1 | p. 15 | 122465607/3 | 2  | 1 | p. 47 |  |  |
| 112523000/1 | 20   | 2    | p. 13 | 112788512/0 | 5  | 1 | p. 3  | 122465608/2 | 2  | 1 | p. 45 |  |  |
| 112523000/1 | 20   | 2    | p. 15 | 112791500/0 | 5  | 1 | p. 23 | 122465608/2 | 2  | 1 | p. 47 |  |  |
| 112523040/0 | 3    | 1    | p. 25 | 112819120/0 | 4  | 1 | p. 11 | 122486093/0 | 6  | 1 | p. 49 |  |  |
| 112523040/0 | 7    | 1    | p. 23 | 114356743/1 | 11 | 1 | p. 23 | 122517869/1 | 8  | 1 | p. 5  |  |  |
| 112523040/0 | 8    | 1    | p. 23 | 114356744/1 | 11 | 1 | p. 23 | 122517882/0 | 3  | 1 | p. 51 |  |  |
| 112523040/0 | 14   | 1    | p. 11 | 114356906/1 | 11 | 1 | p. 23 | 122517882/0 | 3  | 1 | p. 53 |  |  |
| 112523050/0 | 10   | 2    | p. 55 | 114357646/1 | 11 | 1 | p. 23 | 122517882/0 | 3  | 1 | p. 55 |  |  |
| 112523080/0 | 5    | 1    | p. 45 | 118120052/0 | 4  | 1 | p. 31 | 122517882/0 | 3  | 1 | p. 57 |  |  |
| 112523080/0 | 5    | 1    | p. 47 | 118120052/0 | 5  | 1 | p. 27 | 122517906/1 | 3  | 1 | p. 49 |  |  |
| 112530060/0 | 6    | 1    | p. 23 | 118203853/0 | 6  | 2 | p. 5  | 122534131/0 | 2  | 1 | p. 3  |  |  |
| 112604896/0 | 9    | 2    | p. 5  | 118204120/0 | 6  | 1 | p. 27 | 122570110/1 | 40 | 1 | p. 3  |  |  |
| 112604899/0 | 5    | 2    | p. 51 | 118204120/0 | 12 | 1 | p. 31 | 122570120/1 | 37 | 1 | p. 3  |  |  |
| 112604899/0 | 5    | 2    | p. 53 | 118204121/0 | 6  | 1 | p. 27 | 122601904/0 | 6  | 1 | p. 33 |  |  |
| 112604899/0 | 5    | 2    | p. 55 | 118204121/0 | 12 | 1 | p. 31 | 122601904/0 | 6  | 1 | p. 35 |  |  |
| 112604899/0 | 5    | 2    | p. 57 | 118204136/0 | 6  | 1 | p. 27 | 122608505/0 | 6  | 1 | p. 51 |  |  |
| 112608600/0 | 1    | 2    | p. 33 | 118204136/0 | 12 | 1 | p. 31 | 122608523/0 | 9  | 1 | p. 49 |  |  |
| 112608600/0 | 1    | 2    | p. 35 | 118204192/3 | 6  | 1 | p. 31 | 122608525/1 | 7  | 1 | p. 55 |  |  |
| 112645700/0 | 7    | 1    | p. 33 | 118204192/3 | 8  | 1 | p. 27 | 122680006/1 | 5  | 4 | p. 11 |  |  |
| 112645700/0 | 7    | 1    | p. 35 | 118204198/0 | 6  | 1 | p. 31 | 122753000/0 | 3  | 2 | p. 33 |  |  |
| 112727784/0 | 14   | 1    | p. 15 | 118204198/0 | 8  | 1 | p. 27 | 122753000/0 | 3  | 2 | p. 35 |  |  |
|             |      |      |       | 118210016/1 | 9  | 1 | p. 27 | 122943006/0 | 12 | 1 | p. 23 |  |  |
|             |      |      |       | 118210016/1 | 13 | 1 | p. 31 | 122943013/0 | 10 | 1 | p. 3  |  |  |
|             |      |      |       | 118390020/0 | 5  | 1 | p. 19 | 125038002/1 | 11 | 1 | p. 11 |  |  |

| code        | pos. | q.ty | page  |             |    |   |       |             |    |   |       |  |
|-------------|------|------|-------|-------------|----|---|-------|-------------|----|---|-------|--|
| 125038002/1 | 11   | 2    | p. 9  | 322226167/0 | 12 | 1 | p. 7  | 381004590/0 | 1  | 1 | p. 3  |  |
| 125038002/1 | 28   | 1    | p. 13 | 322291150/0 | 1  | 1 | p. 43 | 381004732/0 | 1  | 1 | p. 3  |  |
| 125038002/1 | 28   | 1    | p. 15 | 322322851/0 | 3  | 1 | p. 3  | 381005133/0 | 2  | 1 | p. 11 |  |
| 125160012/0 | 2    | 2    | p. 31 | 322393638/0 | 7  | 1 | p. 7  | 381005135/0 | 3  | 1 | p. 11 |  |
| 133320022/0 | 2    | 1    | p. 29 | 322393639/0 | 7  | 1 | p. 7  | 381005149/0 | 2  | 1 | p. 9  |  |
| 135063902/0 | 9    | 1    | p. 33 | 322393640/0 | 7  | 1 | p. 7  | 381005149/0 | 4  | 1 | p. 13 |  |
| 135063902/0 | 9    | 1    | p. 35 | 322393642/0 | 16 | 1 | p. 7  | 381005149/0 | 4  | 1 | p. 15 |  |
| 181002195/0 | 8    | 1    | p. 49 | 322393657/0 | 6  | 1 | p. 53 | 381005151/0 | 3  | 1 | p. 9  |  |
| 181002211/0 | 8    | 1    | p. 55 | 322393657/0 | 9  | 1 | p. 51 | 381005151/0 | 5  | 1 | p. 13 |  |
| 181002345/0 | 11   | 1    | p. 51 | 322393721/0 | 6  | 1 | p. 53 | 381005151/0 | 5  | 1 | p. 15 |  |
| 181003076/1 | 5    | 1    | p. 33 | 322393721/0 | 9  | 1 | p. 51 | 381005185/0 | 2  | 1 | p. 9  |  |
| 181003076/1 | 5    | 1    | p. 35 | 322394503/0 | 6  | 1 | p. 3  | 381005185/0 | 4  | 1 | p. 13 |  |
| 181003300/1 | 9    | 1    | p. 19 | 322394522/0 | 20 | 1 | p. 3  | 381005185/0 | 4  | 1 | p. 15 |  |
| 181003301/0 | 12   | 1    | p. 19 | 322399804/1 | 6  | 4 | p. 11 | 381005187/0 | 3  | 1 | p. 9  |  |
| 181003363/1 | 9    | 1    | p. 21 | 322399835/0 | 7  | 4 | p. 9  | 381005187/0 | 5  | 1 | p. 13 |  |
| 181003364/0 | 12   | 1    | p. 21 | 322399835/0 | 24 | 2 | p. 13 | 381005187/0 | 5  | 1 | p. 15 |  |
| 181004381/1 | 3    | 1    | p. 45 | 322399835/0 | 24 | 2 | p. 15 | 381006670/2 | 1  | 1 | p. 13 |  |
| 181004398/0 | 3    | 1    | p. 47 | 322486150/1 | 11 | 1 | p. 57 | 381006670/2 | 1  | 1 | p. 15 |  |
| 181005501/1 | 1    | 1    | p. 25 | 322486151/1 | 12 | 1 | p. 57 | 381006719/0 | 1  | 1 | p. 9  |  |
| 181005502/1 | 17   | 1    | p. 13 | 322486305/0 | 9  | 1 | p. 53 | 381006720/0 | 1  | 1 | p. 9  |  |
| 181005503/1 | 1    | 1    | p. 25 | 322486306/0 | 8  | 1 | p. 53 | 381006773/1 | 7  | 2 | p. 13 |  |
| 181005504/1 | 1    | 1    | p. 25 | 322488301/0 | 21 | 1 | p. 13 | 381006773/1 | 7  | 2 | p. 15 |  |
| 181005512/0 | 17   | 1    | p. 13 | 322488301/0 | 21 | 1 | p. 15 | 381006774/1 | 7  | 2 | p. 13 |  |
| 181005513/0 | 17   | 1    | p. 13 | 322488303/0 | 22 | 1 | p. 13 | 381006774/1 | 7  | 2 | p. 15 |  |
| 181005515/0 | 1    | 1    | p. 25 | 322488303/0 | 22 | 1 | p. 15 | 381006838/0 | 1  | 1 | p. 19 |  |
| 181005525/0 | 17   | 1    | p. 13 | 322500103/0 | 1  | 1 | p. 7  | 381006840/0 | 1  | 1 | p. 21 |  |
| 181005537/0 | 1    | 1    | p. 25 | 322500103/0 | 7  | 1 | p. 43 | 381006867/0 | 1  | 1 | p. 17 |  |
| 181030053/0 | 6    | 1    | p. 19 | 322545152/0 | 34 | 2 | p. 3  | 381006979/2 | 1  | 1 | p. 17 |  |
| 181030053/0 | 6    | 1    | p. 21 | 322545159/0 | 8  | 2 | p. 51 | 381007043/0 | 1  | 1 | p. 11 |  |
| 181030054/0 | 6    | 1    | p. 21 | 322545204/0 | 7  | 1 | p. 19 | 381007221/0 | 2  | 1 | p. 23 |  |
| 181030056/0 | 5    | 1    | p. 17 | 322551639/0 | 17 | 1 | p. 15 | 381007280/2 | 2  | 1 | p. 23 |  |
| 181030057/0 | 5    | 1    | p. 17 | 322551640/0 | 3  | 1 | p. 17 | 381007416/2 | 3  | 4 | p. 37 |  |
| 181030070/0 | 6    | 1    | p. 19 | 322600145/0 | 21 | 2 | p. 3  | 381007477/0 | 1  | 2 | p. 39 |  |
| 181030070/0 | 6    | 1    | p. 21 | 322600207/0 | 27 | 2 | p. 3  | 381007483/1 | 1  | 4 | p. 37 |  |
| 181030074/0 | 16   | 1    | p. 13 | 322600313/0 | 2  | 1 | p. 5  | 381007483/1 | 4  | 2 | p. 39 |  |
| 181030100/0 | 16   | 1    | p. 15 | 322680009/0 | 13 | 1 | p. 33 | 381007520/0 | 1  | 1 | p. 21 |  |
| 322034002/0 | 19   | 1    | p. 3  | 322680009/0 | 13 | 1 | p. 35 | 381007522/0 | 1  | 1 | p. 19 |  |
| 322041967/1 | 11   | 4    | p. 13 | 322680016/0 | 5  | 4 | p. 9  | 381007525/0 | 1  | 1 | p. 19 |  |
| 322041967/1 | 11   | 4    | p. 15 | 322680017/0 | 26 | 2 | p. 13 | 381007539/0 | 1  | 1 | p. 9  |  |
| 322060197/3 | 5    | 1    | p. 43 | 322680017/0 | 26 | 2 | p. 15 | 381007540/0 | 1  | 1 | p. 19 |  |
| 322076570/1 | 3    | 1    | p. 29 | 322722800/0 | 8  | 1 | p. 31 | 381008021/2 | 1  | 1 | p. 49 |  |
| 322108295/1 | 1    | 1    | p. 5  | 322722801/0 | 7  | 1 | p. 31 | 381008081/2 | 1  | 1 | p. 55 |  |
| 322109530/0 | 2    | 1    | p. 27 | 322785123/0 | 1  | 1 | p. 27 | 381008081/2 | 1  | 1 | p. 57 |  |
| 322109530/0 | 5    | 1    | p. 31 | 322785123/0 | 3  | 1 | p. 31 | 381008082/2 | 1  | 1 | p. 55 |  |
| 322110382/0 | 4    | 4    | p. 41 | 322785304/1 | 36 | 2 | p. 3  | 381008082/2 | 1  | 1 | p. 57 |  |
| 322110416/0 | 5    | 4    | p. 41 | 322806639/0 | 4  | 1 | p. 5  | 381008098/1 | 1  | 1 | p. 55 |  |
| 322110492/0 | 6    | 4    | p. 41 | 322806644/0 | 18 | 1 | p. 13 | 381008098/1 | 1  | 1 | p. 57 |  |
| 322110640/0 | 3    | 2    | p. 39 | 322806644/0 | 18 | 1 | p. 15 | 381008128/0 | 1  | 1 | p. 51 |  |
| 322110643/0 | 1    | 4    | p. 41 | 322820082/0 | 10 | 1 | p. 7  | 381008128/0 | 1  | 1 | p. 53 |  |
| 322110645/0 | 2    | 4    | p. 41 | 322820083/0 | 11 | 1 | p. 7  | 381008129/0 | 1  | 1 | p. 51 |  |
| 322110649/0 | 2    | 4    | p. 41 | 322981467/0 | 4  | 1 | p. 23 | 381008129/0 | 1  | 1 | p. 53 |  |
| 322110687/0 | 3    | 4    | p. 41 | 381002031/0 | 11 | 1 | p. 3  | 381008609/0 | 14 | 1 | p. 23 |  |
| 322120114/0 | 38   | 2    | p. 3  | 381002887/1 | 16 | 1 | p. 3  | 381030092/1 | 10 | 1 | p. 19 |  |
| 322120189/0 | 10   | 1    | p. 23 | 381003253/0 | 4  | 4 | p. 9  | 381030092/1 | 10 | 1 | p. 21 |  |
| 322192156/0 | 13   | 1    | p. 9  | 381003253/0 | 25 | 2 | p. 13 | 381030093/1 | 15 | 1 | p. 13 |  |
| 322192156/0 | 13   | 2    | p. 11 | 381003253/0 | 25 | 2 | p. 15 | 381030097/0 | 15 | 1 | p. 15 |  |
| 322192156/0 | 29   | 1    | p. 13 | 381003297/1 | 12 | 1 | p. 17 | 381103350/0 | 14 | 2 | p. 9  |  |
| 322192156/0 | 29   | 1    | p. 15 | 381003330/0 | 10 | 1 | p. 17 | 381302827/0 | 31 | 1 | p. 3  |  |
| 322226145/0 | 5    | 1    | p. 7  | 381003344/0 | 3  | 1 | p. 13 | 381486008/0 | 6  | 1 | p. 55 |  |
| 322226146/0 | 5    | 1    | p. 7  | 381003344/0 | 3  | 1 | p. 15 | 381486008/0 | 6  | 1 | p. 57 |  |
| 322226152/0 | 5    | 1    | p. 7  | 381003349/0 | 2  | 1 | p. 13 | 381486009/0 | 7  | 1 | p. 53 |  |
| 322226154/0 | 5    | 1    | p. 7  | 381003349/0 | 2  | 1 | p. 15 | 381486009/0 | 10 | 1 | p. 51 |  |
| 322226158/0 | 15   | 1    | p. 7  | 381003472/0 | 3  | 1 | p. 13 | 381486012/0 | 6  | 1 | p. 55 |  |
| 322226166/0 | 13   | 1    | p. 7  | 381003472/0 | 3  | 1 | p. 15 | 381486012/0 | 6  | 1 | p. 57 |  |
|             |      |      |       | 381004540/0 | 1  | 1 | p. 3  | 381486030/0 | 6  | 1 | p. 55 |  |
|             |      |      |       | 381004542/0 | 1  | 1 | p. 3  | 381486030/0 | 6  | 1 | p. 57 |  |

| <b>code</b> | <b>pos.</b> | <b>q.ty</b> | <b>page</b> |
|-------------|-------------|-------------|-------------|
| 381486031/0 | 7           | 1           | p. 53       |
| 381486031/0 | 10          | 1           | p. 51       |
| 381600400/0 | 4           | 1           | p. 29       |
| 422120152/0 | 15          | 1           | p. 23       |
| 422120154/0 | 15          | 1           | p. 23       |
| 422120158/0 | 15          | 1           | p. 23       |
| 481007160/0 | 1           | 1           | p. 23       |