

# Parts Catalogue

for model

**NTL 534 W TR/E 4S - W TRQ/E 4S**

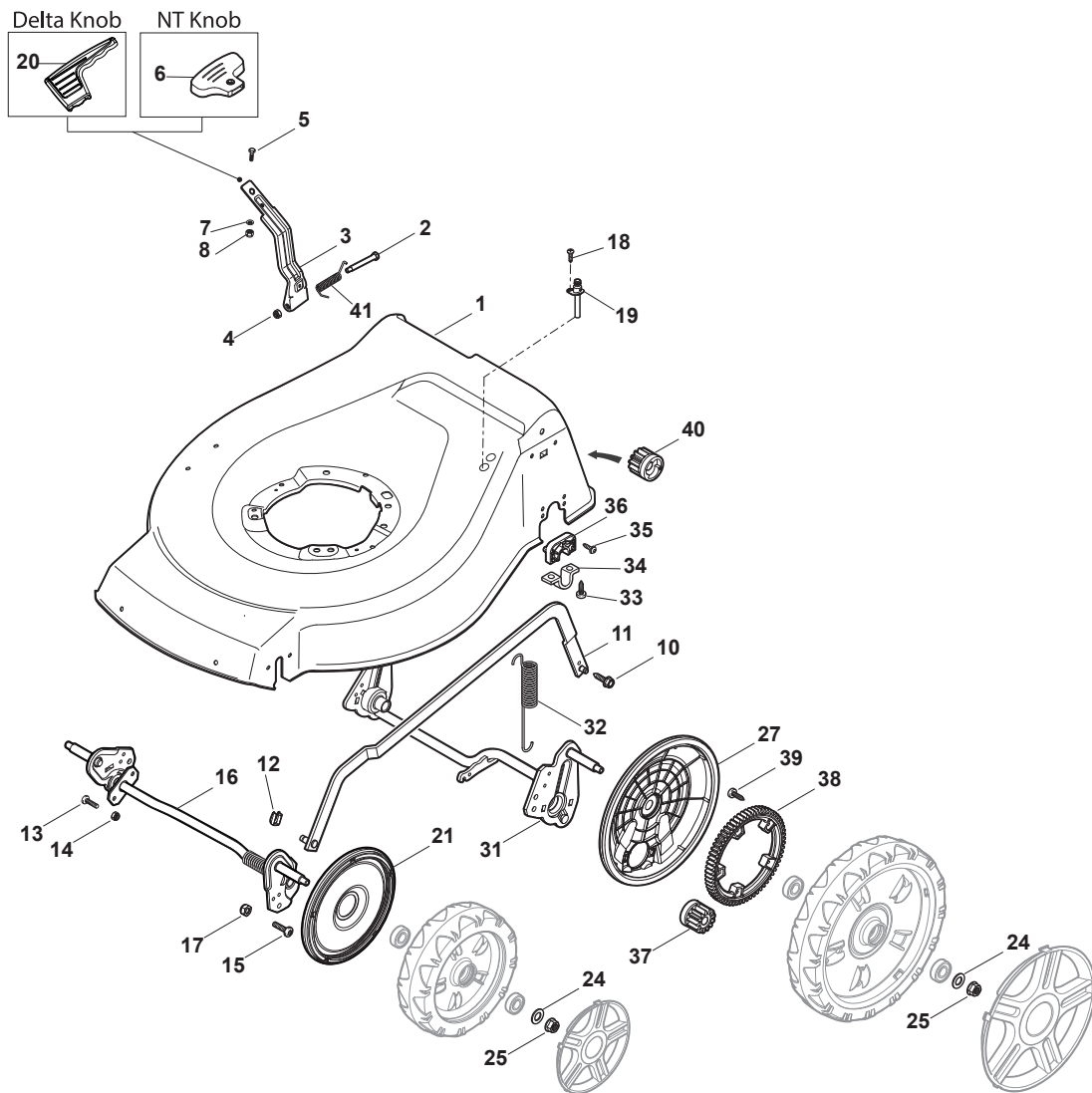
- Use GLOBAL GARDEN PRODUCT Genuine Spare Parts specified in the parts list for repair and/or replacement.
- The contents described in the parts list may change due to improvement.
- The drawings of the spare parts are only indicative and might not represent the part in question exactly.
- The indications "right" - "left" - "front" - "rear" refer to the position of the operator when using the machine.
- When placing orders of parts for repair and/or replacement, make sure that the illustrated parts list is the one applying to the machine's year of manufacture, as shown on the identification plate attached to the machine.

© Copyright 2015 Global Garden Products

All content is subject to copyright by Global Garden Products and may not be reproduced in whole or in part by any means, electronic or otherwise, without prior written approval.

THIS INFORMATION IS NOT INTENDED FOR SALE OR RESALE, AND THIS NOTICE MUST REMAIN ON ALL COPIES.



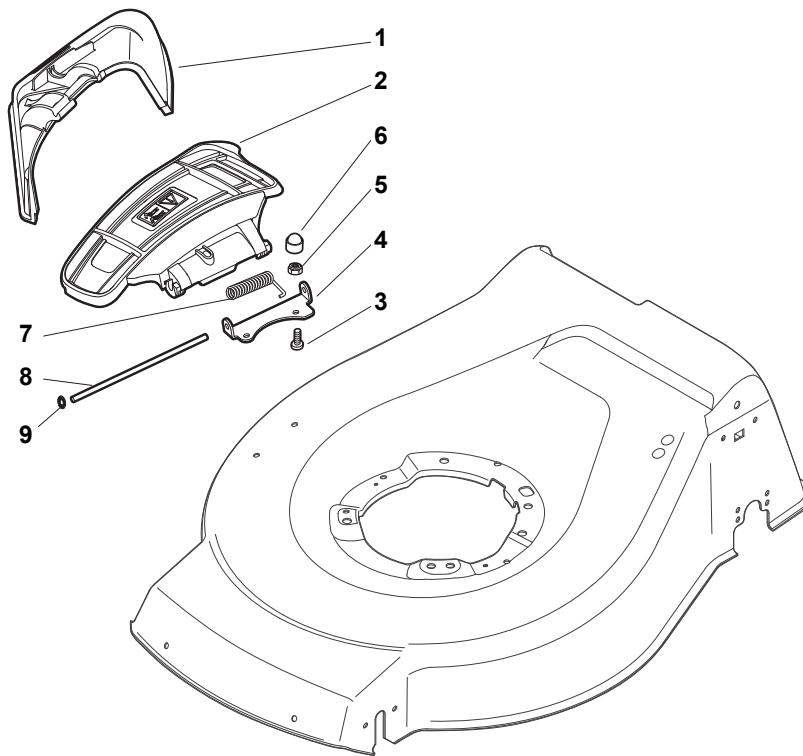


# NTL 534 W TR/E 4S - W TRQ/E 4S

WBH Petrol Steel Deck And Height Adjusting

Issue 9 - 2015

Fig.	Quantity	Part No	Description	Notes
20	1	322394522/0	Knob	Delta Knob
1	1	381004540/0	Red Deck	
1	1	381004542/0	Red Deck	Side Discharge
1	1	381004590/0	Yellow Deck	
1	1	381004732/0	Grey Deck	Side Discharge
2	1	122534131/0	Pin	
3	1	381003398/0	Lever, Height Adjustment	
4	1	112154510/0	Nut	
5	1	112788512/0	Screw	
6	1	322394503/0	Knob	NT Knob
7	1	112521310/0	Washer	
8	1	112150000/0	Nut	
10	1	122943013/0	Screw	
11	1	381002032/0	Rod, Height Adjustment	
12	1	112436051/0	Plate	
13	3	112727803/0	Screw	
14	3	112154510/0	Nut	
15	1	112727801/0	Screw	
16	1	381002887/1	Front Wheel Axle	
17	1	112154510/0	Nut	
18	1	112728450/0	Screw	
19	1	322034002/0	Washing Connection	
21	2	322600145/0	Protection, Wheel	
24	4	112521350/0	Washer	
25	4	112155000/0	Nut	
27	2	322600208/0	Protection, Wheel	
31	1	381302835/1	Axle, Rear Wheels	
32	1	122450460/0	Spring	
33	4	112728697/0	Screw	
34	2	322545152/0	Plate	
35	4	112728697/0	Screw	
36	2	322785304/1	Support	
37	1	122570134/0	Left Pinion	
38	2	322120115/0	Wheels Crown	
39	6	112728706/0	Screw	
40	1	122570133/0	Right Pinion	
41	1	122446192/0	Spring	

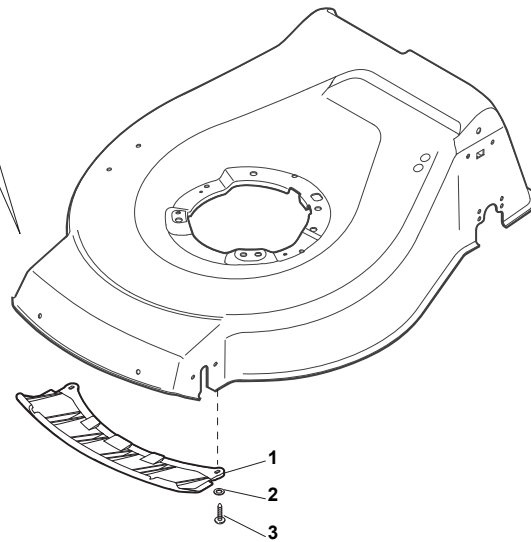
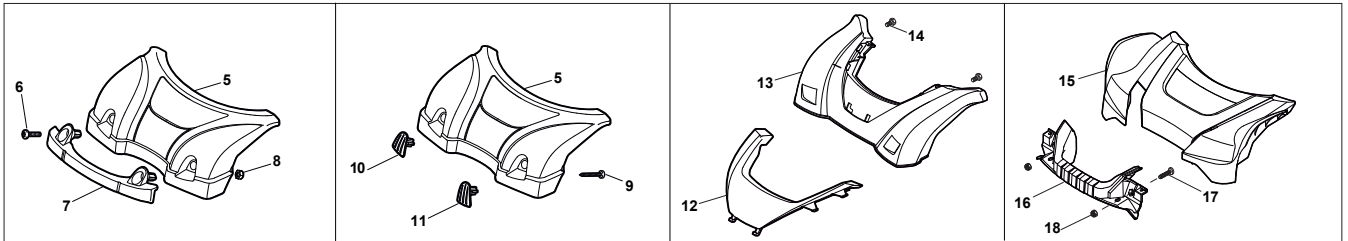


# NTL 534 W TR/E 4S - W TRQ/E 4S

WBH Petrol Steel Ejection-Guard

Issue 9 - 2015

Fig.	Quantity	Part No	Description	Notes
1	1	322108295/1	Side Ejection Conveyor	
2	1	322600313/0	Ejection Guard	
3	2	112727803/0	Screw	
4	1	322806639/0	Fulcrum Pin	
5	2	112154510/0	Nut	
6	2	118203853/0	Screw	
7	1	122450456/0	Spring	
8	1	122517869/1	Pin	
9	2	112604896/0	Crown Fastener	

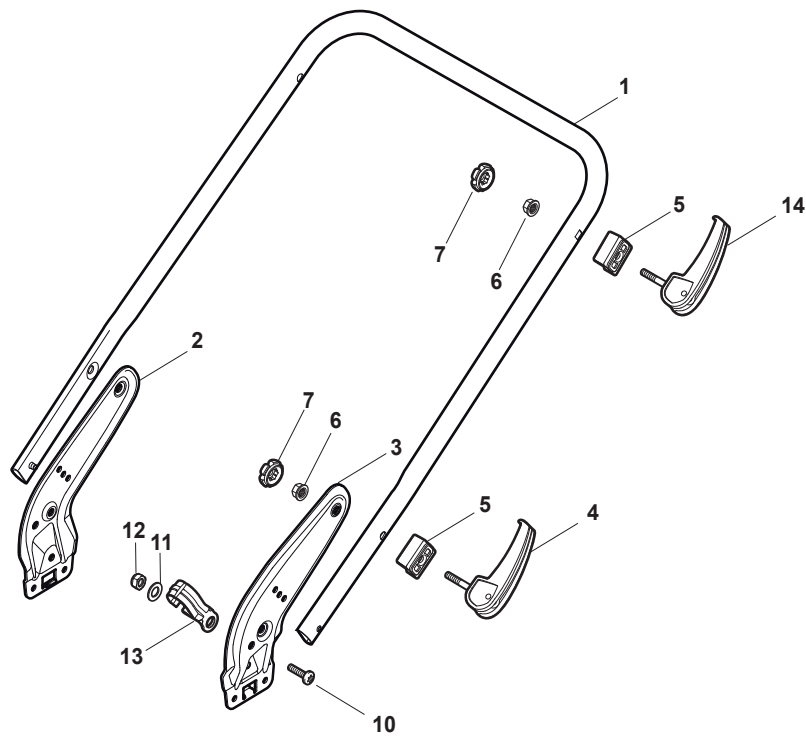


# NTL 534 W TR/E 4S - W TRQ/E 4S

WBH Petrol Steel Mask

Issue 9 - 2015

Fig.	Quantity	Part No	Description	Notes
1	1	322500103/0	Front Combi	
2	2	112523000/1	Washer	
3	2	112728124/0	Screw	
5	1	322226145/0	Mask, Red	
5	1	322226146/0	Mask, Yellow	with Stiga Logo
5	1	322226152/0	Mask, Black	with Stiga Logo
5	1	322226154/0	Mask, Black	
6	2	112727799/0	Screw	
7	1	322393638/0	Handlegrip Black	
7	1	322393639/0	Handle, Grey	
7	1	322393640/0	Handle, Yellow	
8	2	112154510/0	Nut	
9	2	112728697/0	Screw	
10	1	322820082/0	Cap	
11	1	322820083/0	Cap	
12	1	322226167/0	Front Plate	
13	1	322226166/0	Mask, Black	
14	2	112728300/0	Screw	
15	1	322226158/0	Mask, Black	
16	1	322393642/0	Bumper Handle	
17	2	112727799/0	Screw	
18	2	112154510/0	Nut	



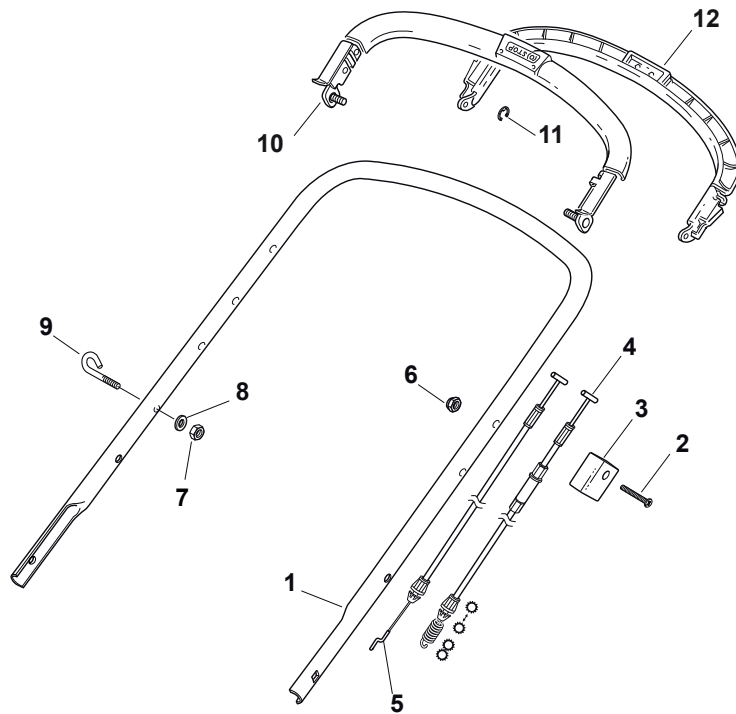


# NTL 534 W TR/E 4S - W TRQ/E 4S

WBH Petrol Steel Handle, Lower Part

Issue 9 - 2015

Fig.	Quantity	Part No	Description	Notes
1	1	381006719/0	Handle Lower Part	Black
1	1	381006720/0	Handle Lower Part	Grey
1	1	381007539/0	Handle, Lower Part Yellow	Yellow
2	1	381005149/0	Right Bracket	Black
2	1	381005185/0	Right Bracket	Stiga Grey
3	1	381005151/0	Left Bracket	Black
3	1	381005187/0	Left Bracket	Stiga Grey
4	4	381003253/0	Handle	
5	4	322680016/0	Washer	
6	4	122131750/0	Nut	
7	4	322399835/0	Knob	
10	2	112760605/0	Screw	
11	2	125038002/1	Bushing	
12	2	112155000/0	Nut	
13	1	322192156/0	Clip	
14	2	381103350/0	Handle	

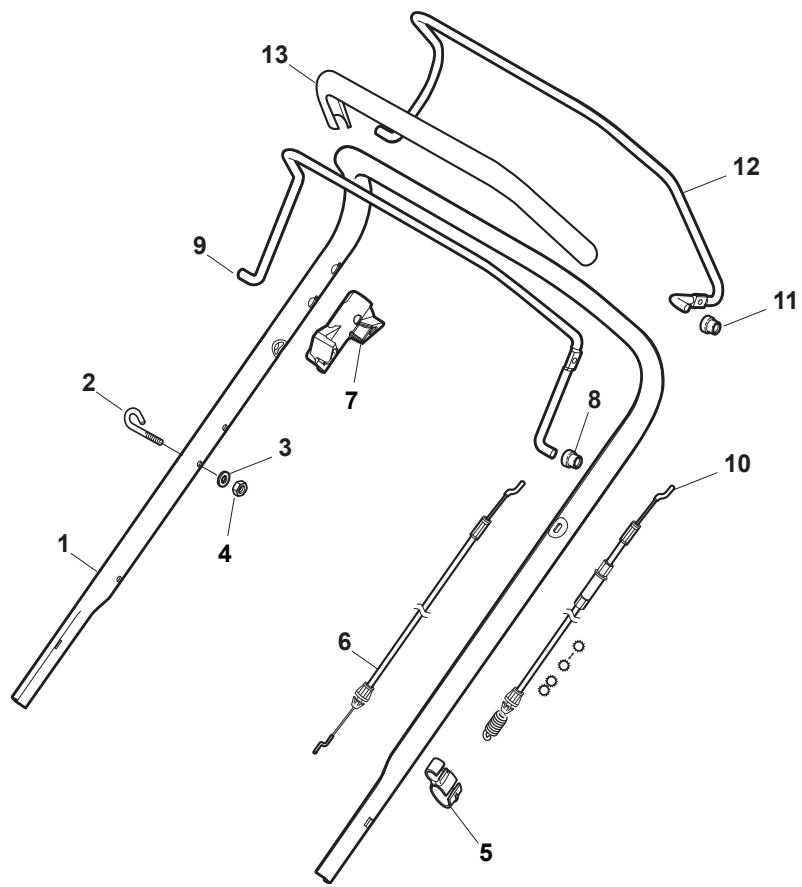


# NTL 534 W TR/E 4S - W TRQ/E 4S

WBH Petrol Steel Handle, Upper Part

Issue 9 - 2015

Fig.	Quantity	Part No	Description	Notes
4	1	381030055/0	Cable Rear Drive	
1	1	381006803/0	Handle, Upper Part	Black
1	1	381006805/0	Upper Handle Grey	Grey
2	1	112727787/0	Screw	
3	1	322551640/0	Plate	
5	1	181030056/0	Cable, Thread Engine Brake	Honda / B&S / GGP Engine
5	1	181030057/0	Cable, Thread Engine Brake	SV40 / RV 40 / V35 Engine
6	1	112154510/0	Nut	
7	1	112154510/0	Nut	
8	1	112521330/0	Washer	
9	1	122430313/0	Guide Spring	
10	1	381003330/0	Lever, Engine Brake	
11	1	381003297/1	Driving Lever	
12	1	112000930/0	Benzing Ring	



# NTL 534 W TR/E 4S - W TRQ/E 4S

WBH Petrol Steel Handle, Upper Part

Issue 9 - 2015

Fig.	Quantity	Part No	Description	Notes
1	1	381006838/0	Handle, Upper Part Black	for Delta Dashboard - Fix RPM - Throttle
1	1	381007522/0	Handle, Upper Part Black	for TD-CA Dashboard
1	1	381007525/0	Handle, Upper Part Grey	for TD-CA Dashboard
2	1	122430313/0	Guide Spring	
3	1	112521330/0	Washer	
4	1	112154510/0	Nut	
5	1	118390020/0	Conduit Clip Caproeurope	
6	1	181030053/0	Cable, Thread Engine Brake	GGP Engine / B&S 450-500-550-575-625-675-750 Series
6	1	181030070/0	Cable, Thread Engine Brake	Honda Engine
7	1	322545204/0	Fulcrum Pin	
8	1	122041966/0	Bushing	
9	1	181003300/1	Lever, Engine Brake Black	
10	1	381030092/1	Cable Rear Drive	
11	1	122041966/0	Bushing	
12	1	181003301/0	Drive Control Lever	
13	1	122291050/0	Handgrip Black	

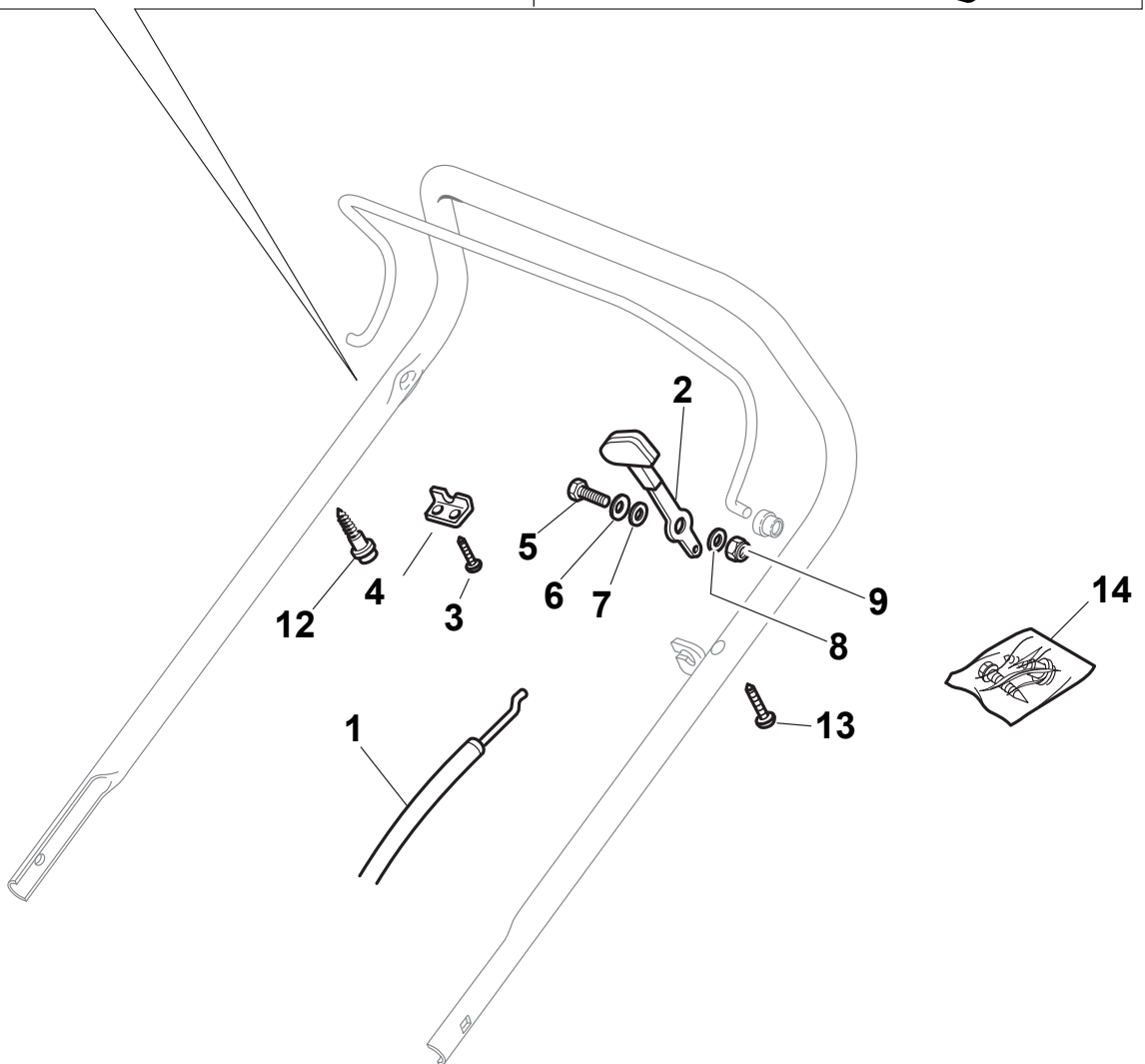
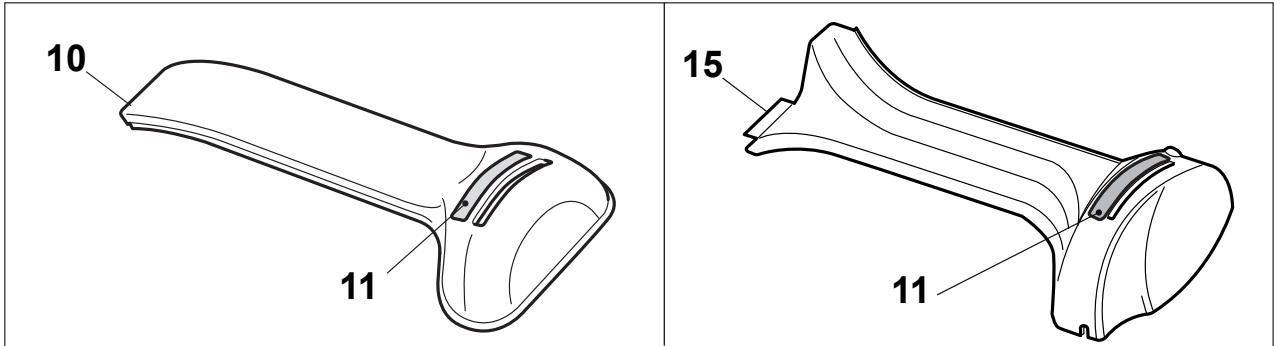
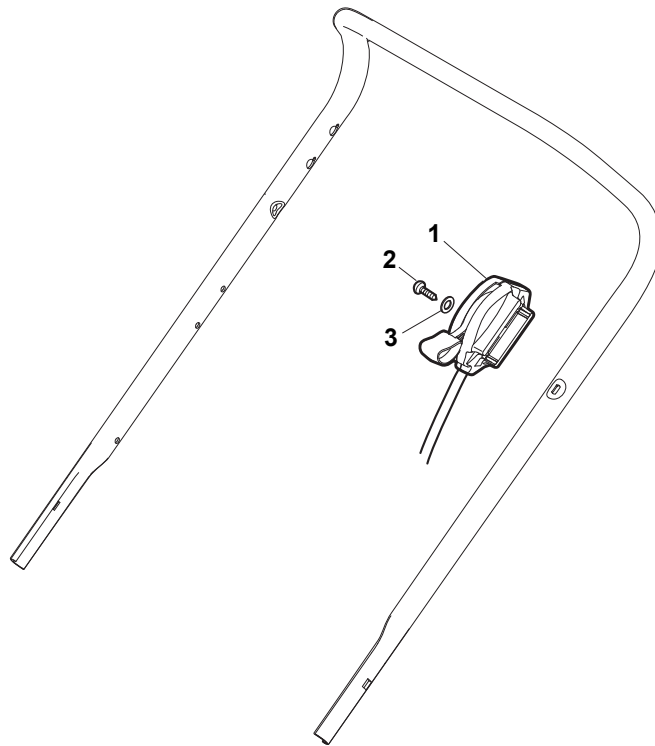


Fig.	Quantity	Part No	Description	Notes
1	1	481007160/0	Throttle Cable	
2	1	381007221/0	Dashboard Throttle Lever	only for B&S 450-500 Series and SV40/RV40/V35 Engines
2	1	381007280/2	Dashboard Throttle Lever	
3	2	112735105/0	Screw	
4	1	322981467/0	Plate	
5	1	112791500/0	Screw	
6	1	112530060/0	Spring Washer	
7	1	112523040/0	Washer	
8	1	112523040/0	Washer	
9	1	112154510/0	Nut	
10	1	322120189/0	Red Dashboard	
11	1	114356743/1	Label	for GGP and HONDA Engines
11	1	114356744/1	Label	for B&S Engines
11	1	114356906/1	Label	for DOV Series
11	1	114357646/1	Label	for HONDA Autochoke Engines
12	1	122943006/0	Screw	
13	1	112728460/0	Screw	
14	1	381008609/0	Outfit, Screws	
15	1	422120152/0	Yellow Dashboard	Yellow
15	1	422120154/0	Red Dashboard	Red
15	1	422120158/0	Black Dashboard	Black





# NTL 534 W TR/E 4S - W TRQ/E 4S

WBH Petrol Steel Controls

Issue 9 - 2015

Fig.	Quantity	Part No	Description	Notes
1	1	181005503/1	Throttle Cable	for HONDA AC Engines
1	1	181005504/1	Throttle Cable	for SV40/RV40/V35 Engines
1	1	181005515/0	Throttle Cable	for B&S 500-550-575 Series
1	1	181005537/0	Throttle Cable	for GGP RS/RSC/RSCT Engines
1	1	181005501/1	Throttle Cable	for GGP and HONDA Engines
2	1	112735103/0	Screw	
3	1	112523040/0	Washer	

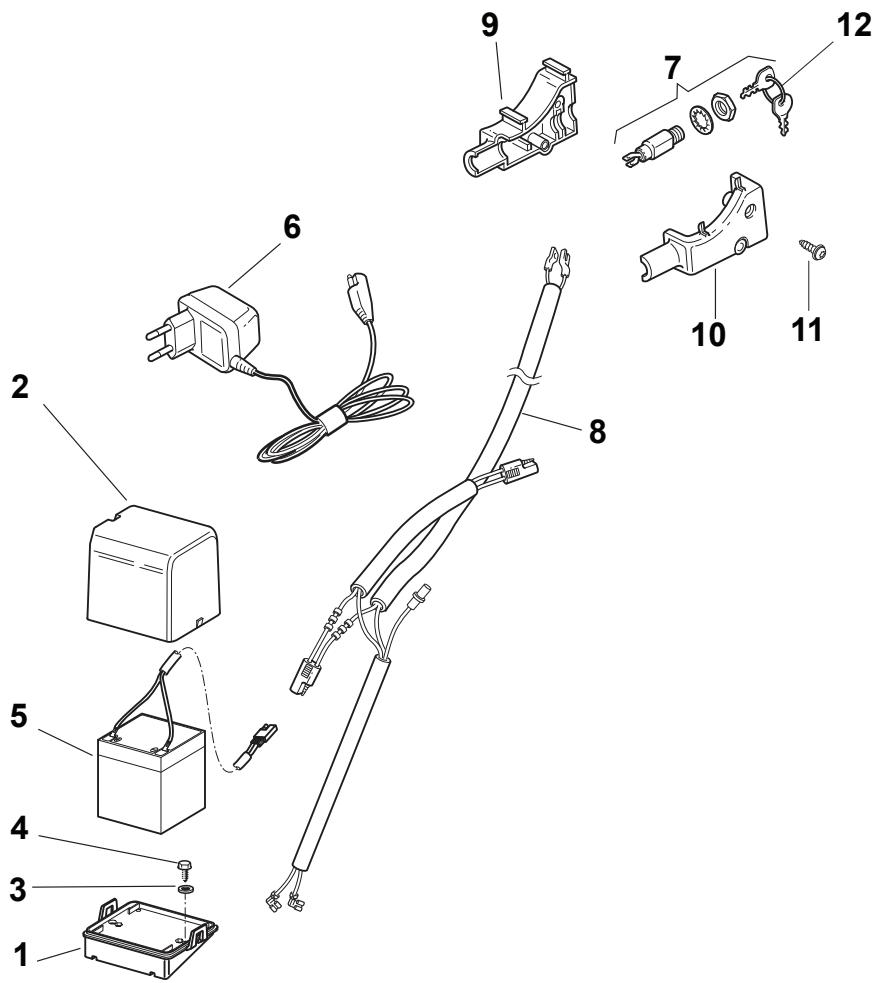
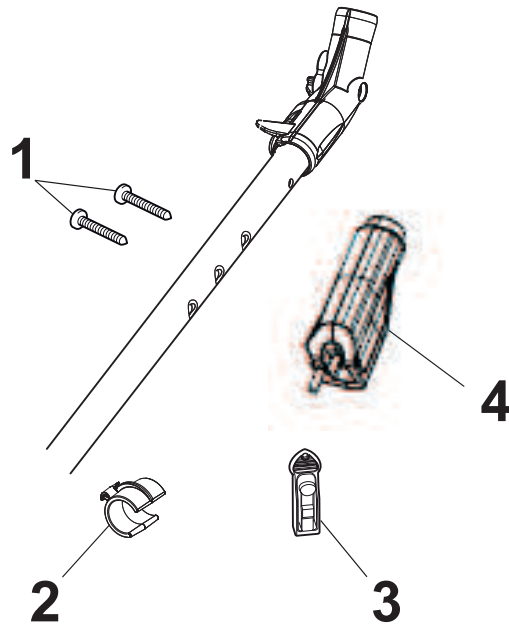


Fig.	Quantity	Part No	Description	Notes
1	1	322785123/0	Battery Support	
2	1	322109530/0	Battery Cover	
3	2	112521310/0	Washer	
4	2	112731590/0	Screw	
5	1	118120052/0	Battery	
6	1	118204120/0	Battery Charger	CE plugg
6	1	118204121/0	Battery Charger	UK plugg
6	1	118204136/0	Battery Charger	CE plugg with B&S 775IS
7	1	118450051/0	Switch	
8	1	118204198/0	Electric Start Wire	for Honda Engines
8	1	118204192/3	Electric Start Wire	for B&S and GGP Engines
9	1	322722804/1	Starting Block Inner Half-Bearing	
10	1	322722805/1	Starting Block Inner Half-Bearing	
11	1	112728300/0	Screw	
12	1	118210016/1	Starting Key	

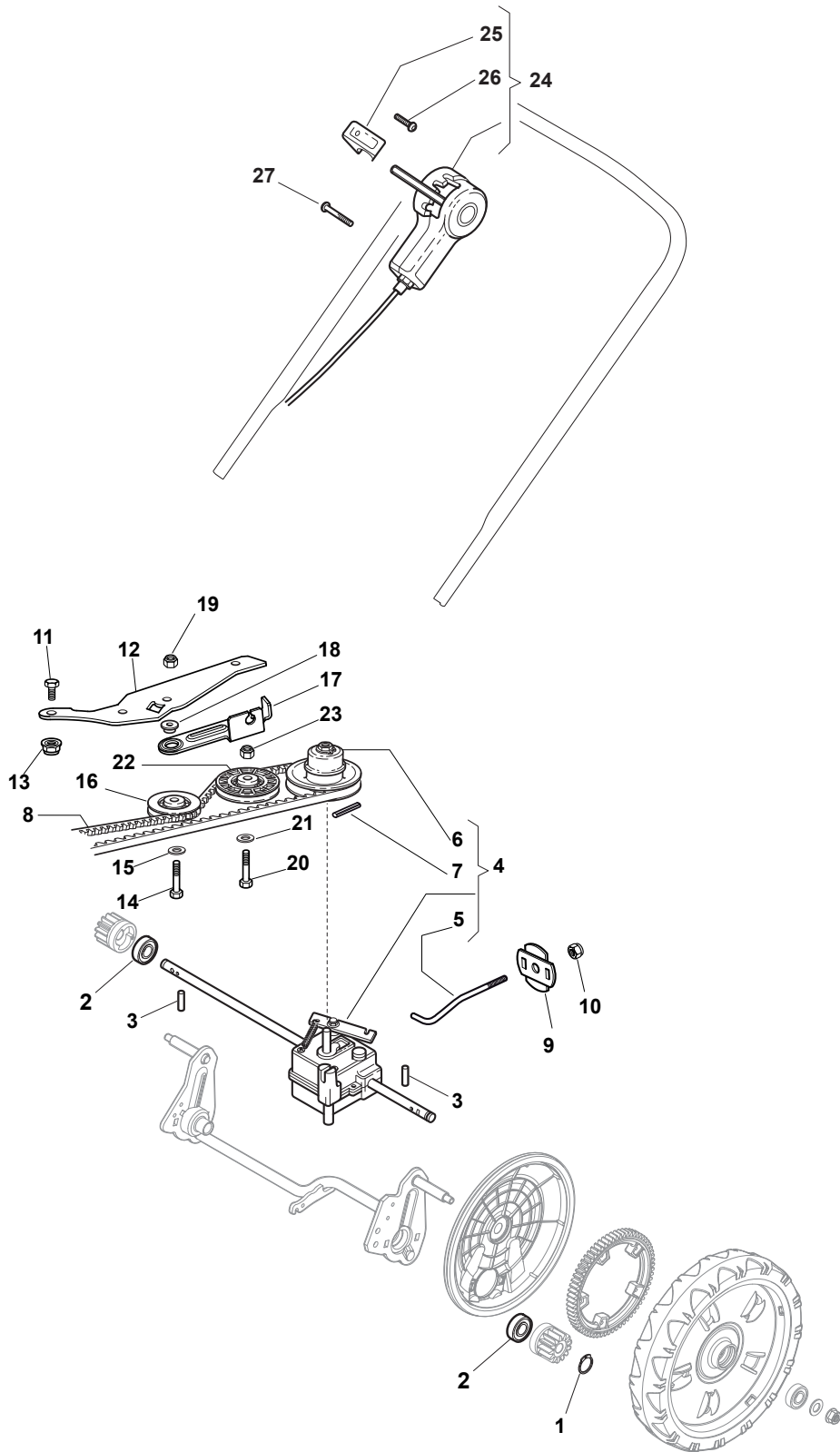


# NTL 534 W TR/E 4S - W TRQ/E 4S

WBH Petrol Steel Electric Start Controls for ModelS with B&S 775 IS

Issue 9 - 2015

Fig.	Quantity	Part No	Description	Notes
1	1	112728702/0	Screw	without Varietor
1	1	112728300/0	Screw	with Varietor
2	1	133320022/0	Fastpoint Clamp Art.0384.Aa01	
3	1	322076570/1	Battery Safety Key	
4	1	381600400/0	Switch	



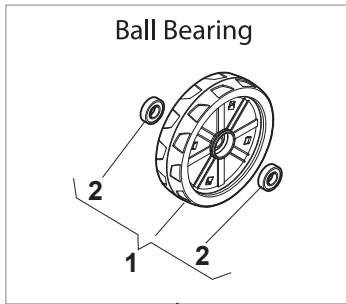
# NTL 534 W TR/E 4S - W TRQ/E 4S

WBH Petrol Steel Transmission

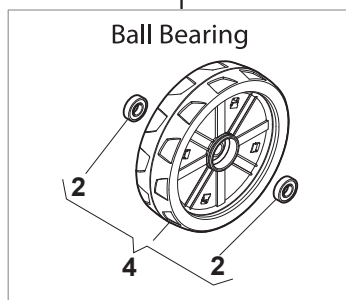
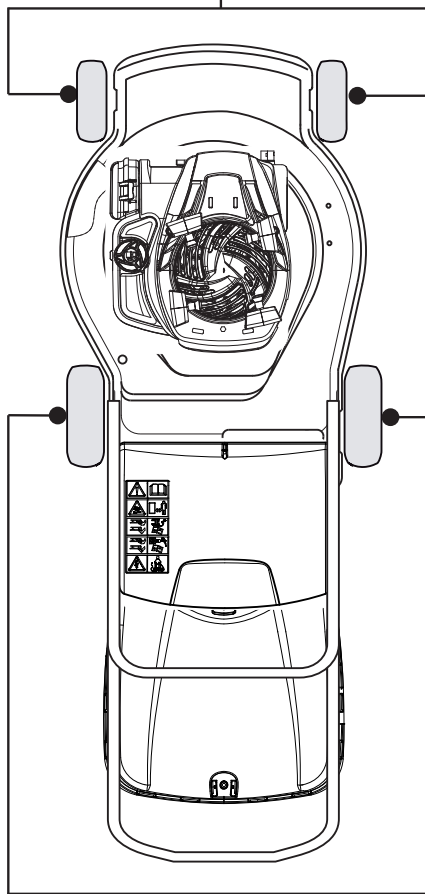
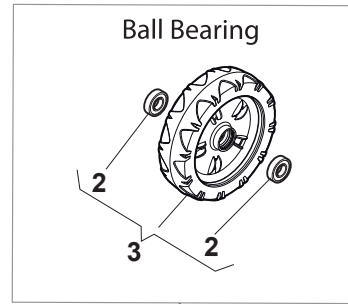
Issue 9 - 2015

Fig.	Quantity	Part No	Description	Notes
1	2	112608600/0	Seeger	
2	2	119216035/0	Bearing	
3	2	122753000/0	Pin	
4	1	181003096/3	Gear Box	
5	1	122033285/0	Adjustment Rod	
6	1	122601932/0	Pulley	
7	1	112645700/0	Elastic Pin	
8	1	135064010/0	Belt	
9	1	322675113/0	Washer	
10	1	112154510/0	Nut	
11	1	112791011/0	Screw	
12	1	322806625/1	Support	
13	1	112292102/0	Nut	
14	1	112689500/0	Screw	
15	1	112523050/0	Washer	
16	1	122601915/0	Pulley	
17	1	322806623/0	Pulley Support	
18	1	122671656/0	Washer	
19	1	112154510/0	Nut	
20	1	112674700/0	Screw	
21	1	112523050/0	Washer	
22	1	122601914/0	Pulley	
23	1	112154510/0	Nut	
24	1	381007110/0	Speed Control Ass.Y	
25	1	322399809/0	Knob	
26	1	112728300/0	Screw	
27	2	112728702/0	Screw	

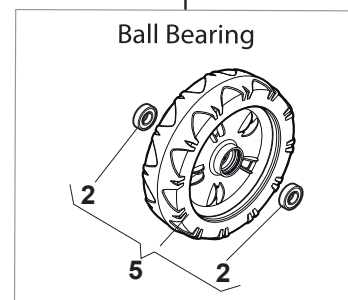
DELTA Wheels - Ø 200



NTD Wheels - Ø 200



DELTA Wheels - Ø 280



NTD Wheels - Ø 280



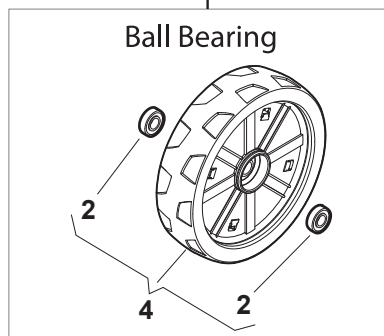
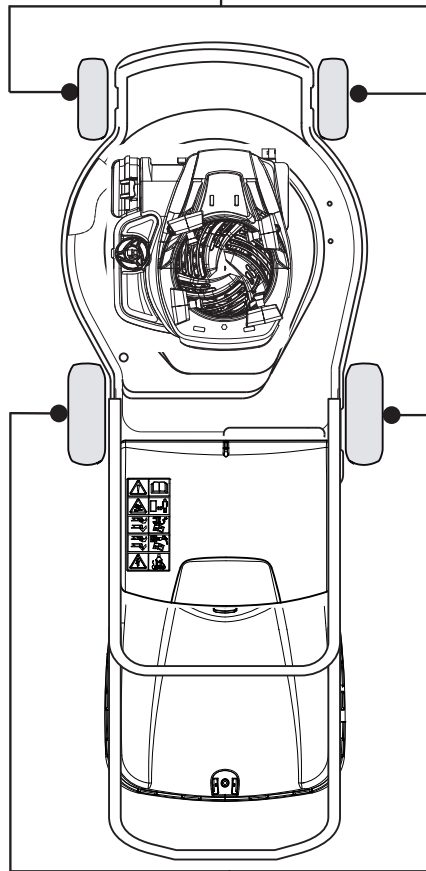
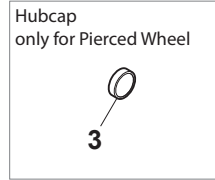
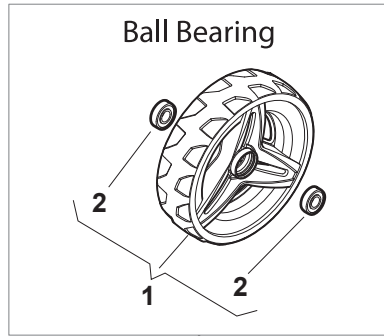
# NTL 534 W TR/E 4S - W TRQ/E 4S

WBH Petrol Steel Wheels and Hub Caps

Issue 9 - 2015

Fig.	Quantity	Part No	Description	Notes
1	2	381007483/1	Wheel	
2	8	119216035/0	Bearing	
3	2	381007416/2	Wheel	
4	2	381007478/1	Wheel	
5	2	381007417/2	Wheel	

### DELTA Wheel (Pierced) - Ø 200



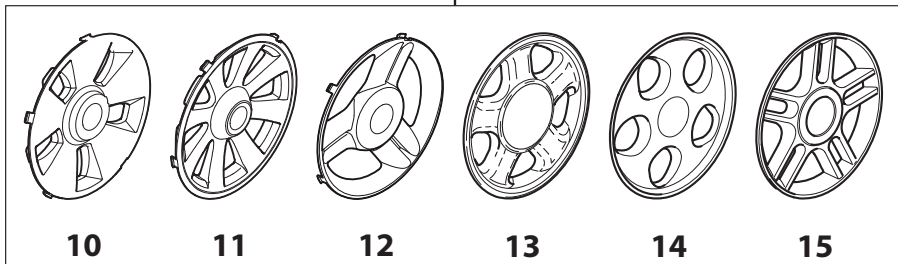
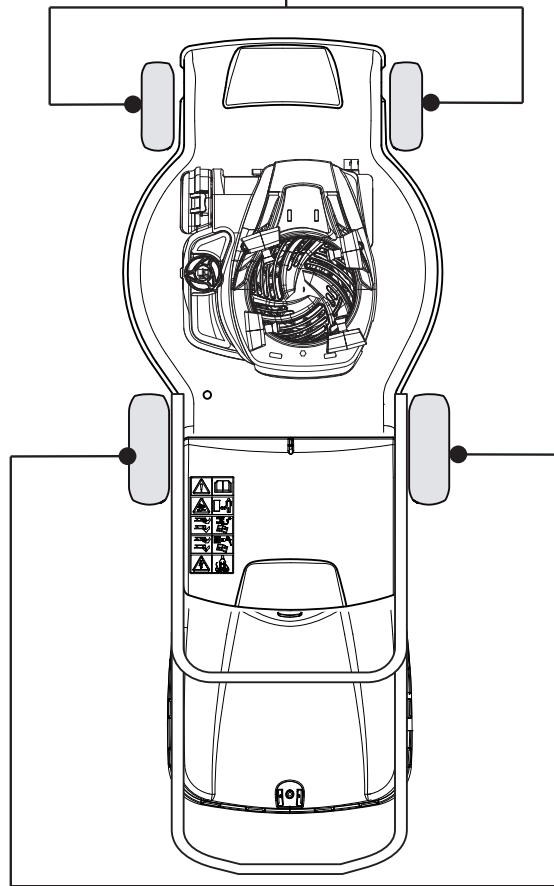
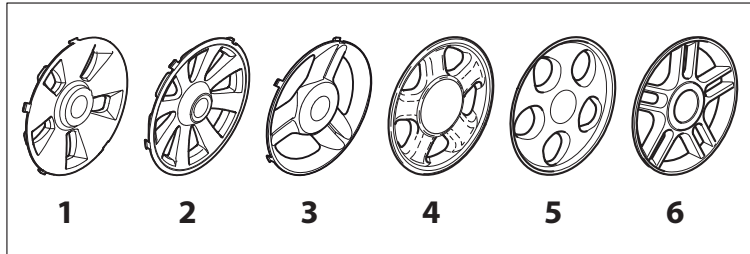
### DELTA Wheel - Ø 280

# NTL 534 W TR/E 4S - W TRQ/E 4S

WBH Petrol Steel Wheels and Hub Caps

Issue 9 - 2015

Fig.	Quantity	Part No	Description	Notes
1	2	381007477/0	Wheel	
2	8	119216035/0	Bearing	
3	2	322110640/0	Hub Cap Grey	
4	2	381007478/1	Wheel	



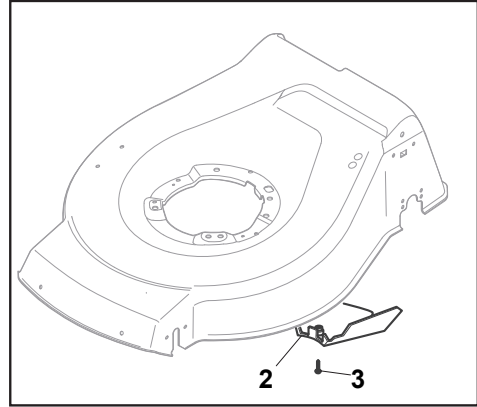
# NTL 534 W TR/E 4S - W TRQ/E 4S

WBH Petrol Steel Wheelcaps

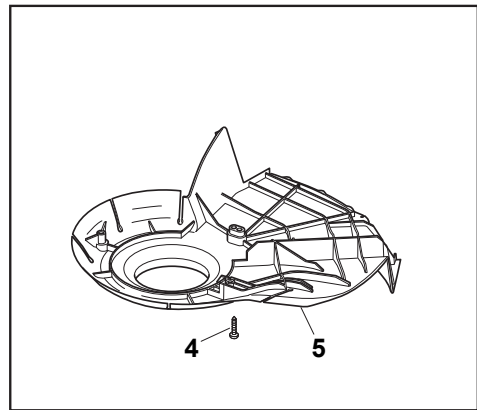
Issue 9 - 2015

Fig.	Quantity	Part No	Description	Notes
1	2	322110643/0	Hub Cap Grey	
2	2	322110645/0	Hub Cap Grey	
2	2	322110649/0	Hub Cap Yellow	
3	2	322110687/0	Hub Cap Grey	
4	2	322110382/0	Hub Cap Grey	
5	2	322110416/0	Hub Cap Grey	
6	2	322110492/0	Hub Cap Grey	
10	2	322110644/0	Hub Cap Grey	
11	2	322110646/0	Hub Cap Grey	
11	2	322110650/0	Hub Cap Yellow	
12	2	322110641/0	Hub Cap Grey	
13	2	322110511/0	Hub Cap Grey	
14	2	322110417/0	Hub Cap Grey	
15	2	322110560/0	Hub Cap Grey	

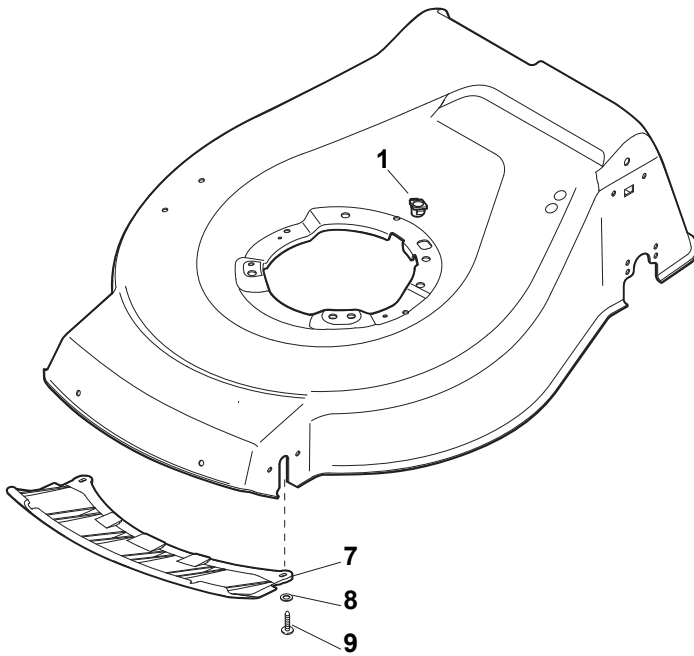
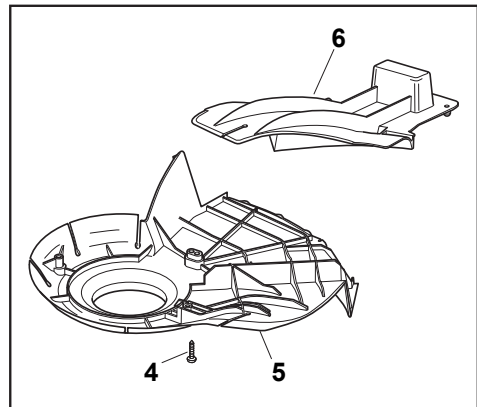
CARTER STANDARD (No Mulching)



CARTER MULCHING (No Mulching)



KIT MULCHING

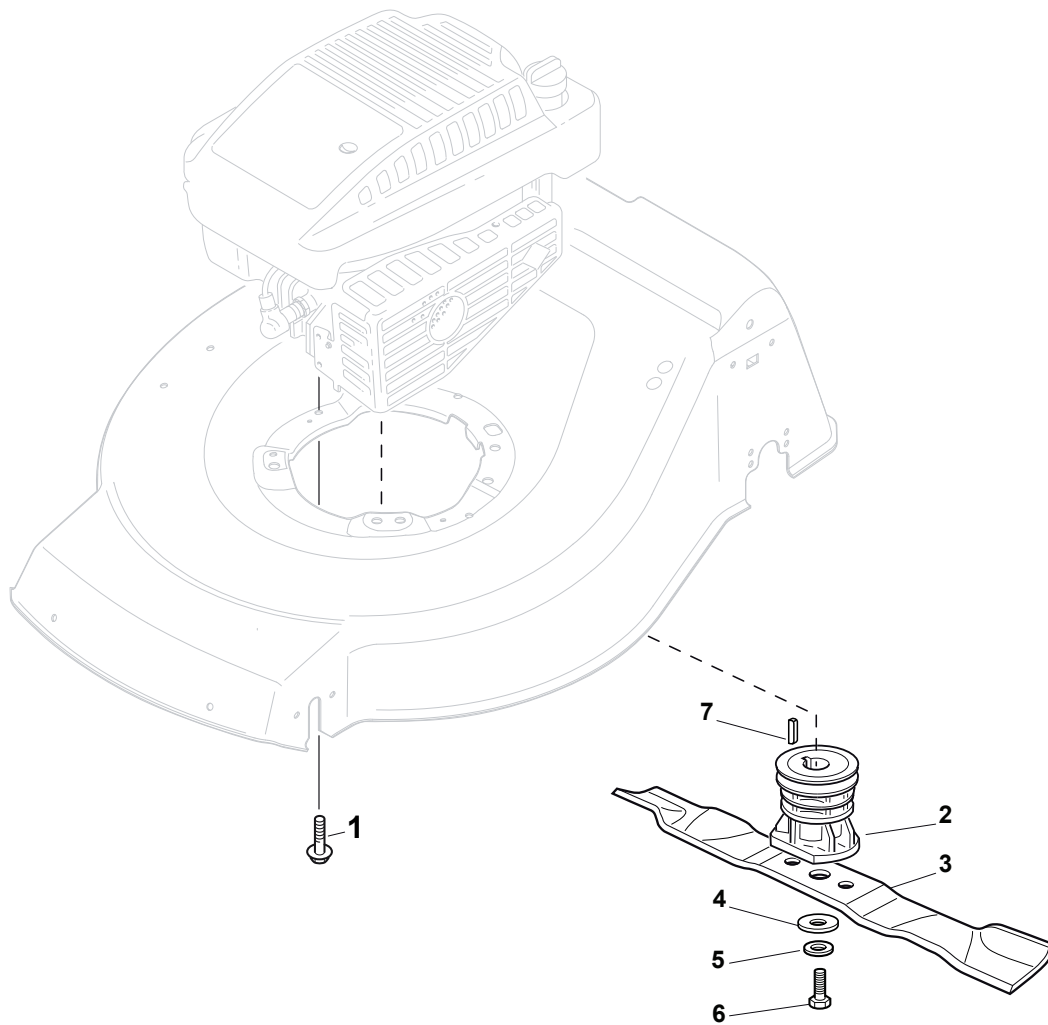


# NTL 534 W TR/E 4S - W TRQ/E 4S

WBH Petrol Steel Protection, Belt

Issue 9 - 2015

Fig.	Quantity	Part No	Description	Notes
1	1	322291150/0	Rubber Insert	
2	1	122060193/0	Belt Protection	
3	1	112728530/0	Screw	
4	3	112728530/0	Screw	
5	1	322060197/3	Belt Protection	Not for BBC models
6	1	122140222/0	Mulching Deflector	
7	1	322500103/0	Front Combi	
8	2	112523000/1	Washer	
9	2	112728124/0	Screw	



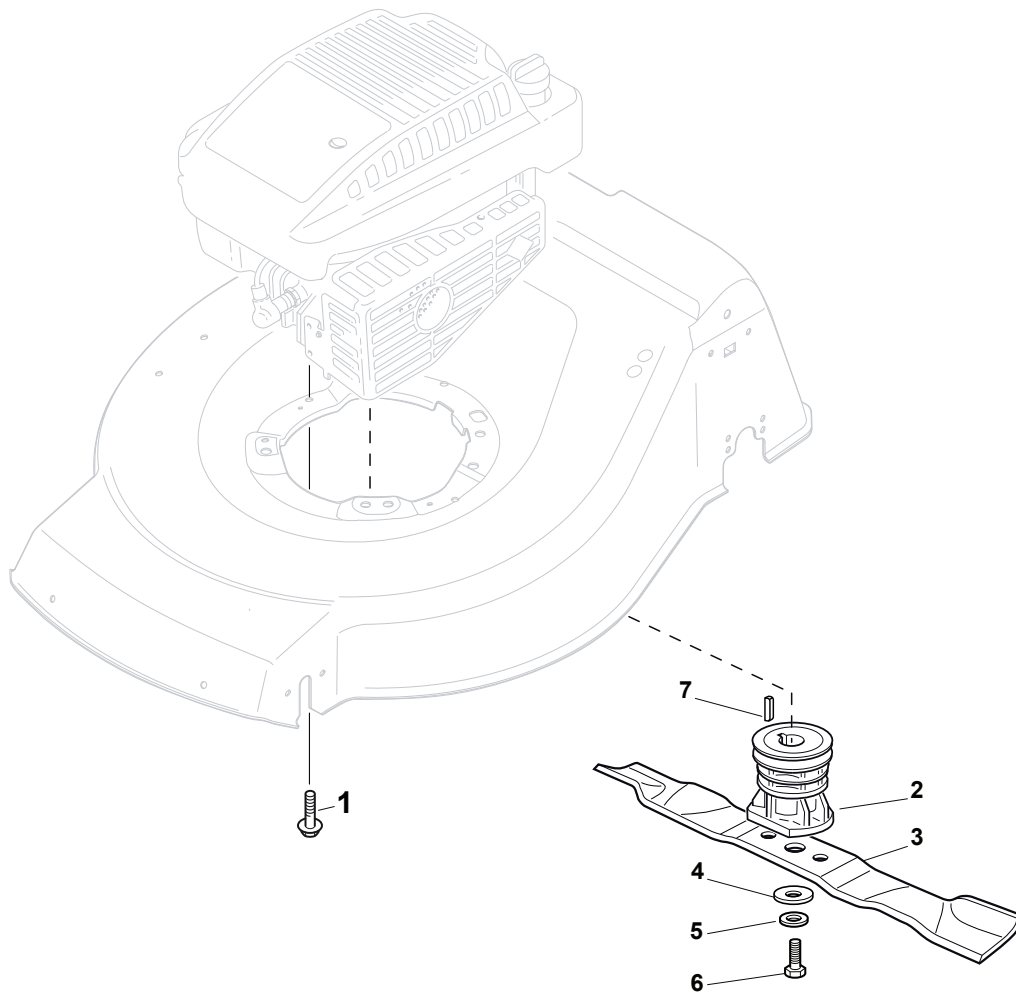


# NTL 534 W TR/E 4S - W TRQ/E 4S

WBH Petrol Steel Blade

Issue 9 - 2015

Fig.	Quantity	Part No	Description	Notes
1	3	112735108/1	Screw	
2	1	122465607/3	Hub With Pulley, Crankshaft Ø 22.2	for B&S and GGP Engines
2	1	122465608/2	Hub With Pulley, Crankshaft Ø 25	for HONDA Engines
3	1	181004381/1	Blade Standard	
4	1	122160400/0	Elastic Disc	
5	1	112523080/0	Washer	
6	1	112735698/0	Screw	
7	1	112139100/0	Feather, Crankshaft Ø 22,2	for B&S and GGP Engines
7	1	112139150/0	Feather, Crankshaft Ø 25	for HONDA Engines

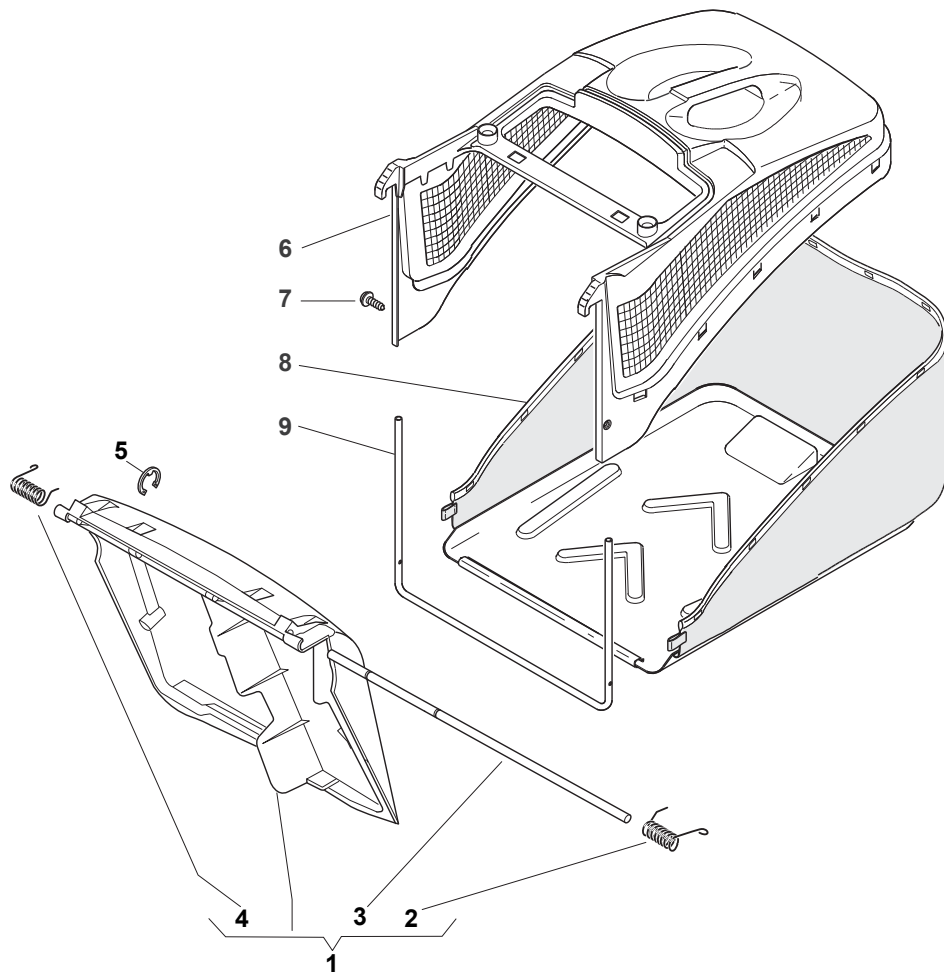


# NTL 534 W TR/E 4S - W TRQ/E 4S

WBH Petrol Steel Blade - for Delta Grasscatcher

Issue 9 - 2015

Fig.	Quantity	Part No	Description	Notes
1	3	112735108/1	Screw	
2	1	122465607/3	Hub With Pulley, Crankshaft Ø 22.2	for B&S and GGP Engines
2	1	122465608/2	Hub With Pulley, Crankshaft Ø 25	for HONDA Engines
3	1	181004398/0	Blade Winged	
4	1	122160400/0	Elastic Disc	
5	1	112523080/0	Washer	
6	1	112735698/0	Screw	
7	1	112139100/0	Feather, Crankshaft Ø 22,2	for B&S and GGP Engines
7	1	112139150/0	Feather, Crankshaft Ø 25	for HONDA Engines

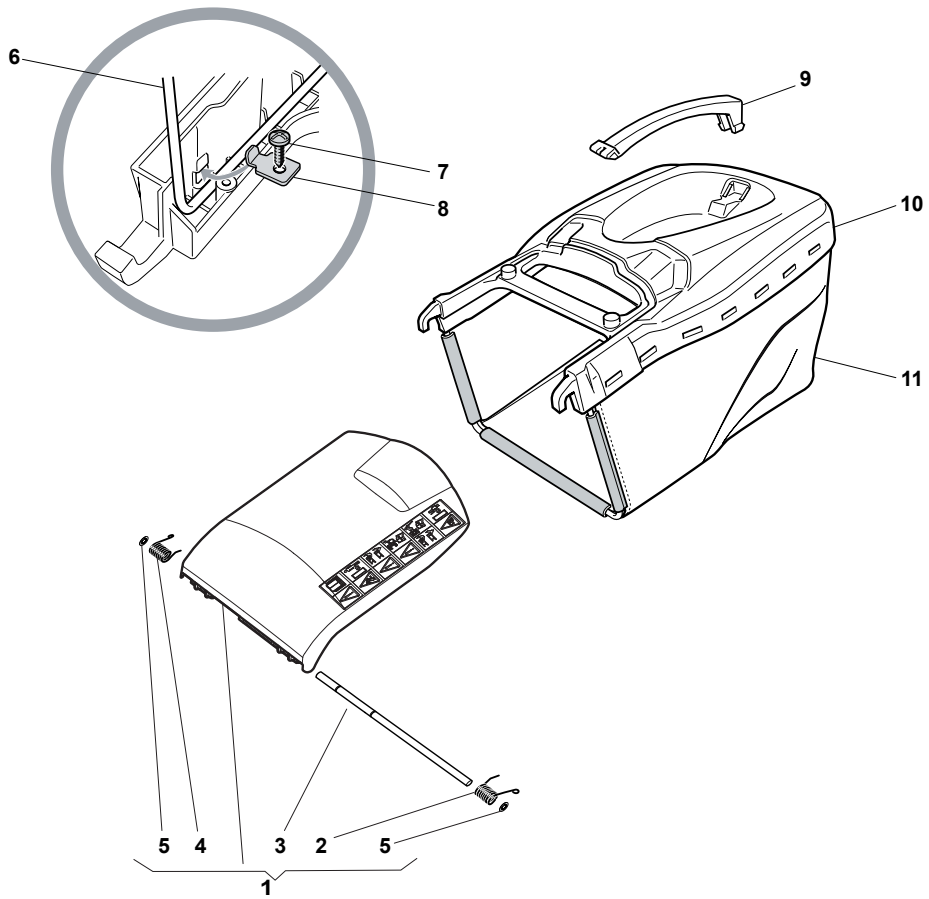


# NTL 534 W TR/E 4S - W TRQ/E 4S

WBH Petrol Steel Grass-Catcher

Issue 9 - 2015

Fig.	Quantity	Part No	Description	Notes
1	1	381008021/2	Stone Guard	Black
2	1	122450420/1	Left Protection Spring	
3	1	122517906/1	Fulcrum Pin	
4	1	122450410/1	Right Spring	
5	1	112000930/0	Benzing Ring	
6	1	122486093/0	Box, Upper Side	
7	2	112728445/0	Screw	
8	1	181002195/0	Box, Fabric	
9	1	122608523/0	Stiffening	

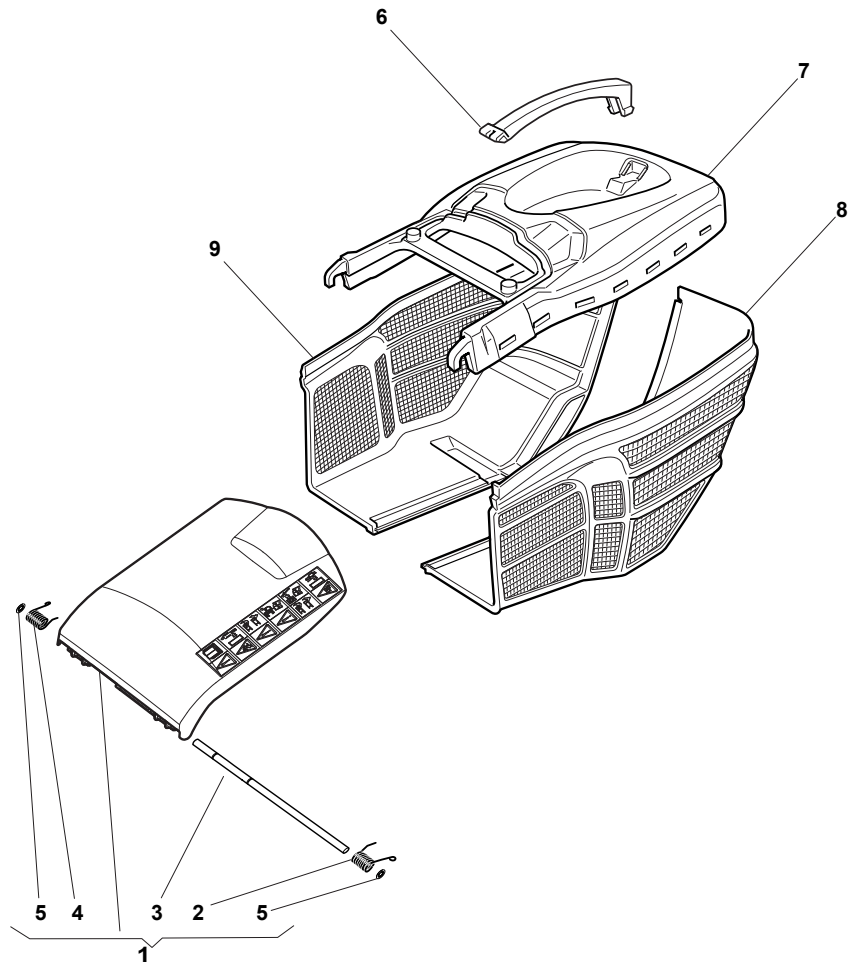


# NTL 534 W TR/E 4S - W TRQ/E 4S

WBH Petrol Steel Grass-Catcher - Delta Bag

Issue 9 - 2015

Fig.	Quantity	Part No	Description	Notes
1	1	381008129/0	Stone Guard, Yellow	Yellow
1	1	381008128/0	Stone Guard, Black	Black
2	1	122450466/0	Left Spring	
3	1	122517882/0	Pin	
4	1	122450465/0	Right Spring	
5	2	112604899/0	Crown Fastener	
6	1	122608505/0	Stiffening	
7	2	112728680/0	Screw	
8	2	322545159/0	Plate	
9	1	322393657/0	Handle	Black
9	1	322393721/0	Handle	Grey
10	1	381486009/0	Grass-Box, Upper	Black
10	1	381486031/0	Grass-Box, Upper	Grey
11	1	181002345/0	Box, Fabric	



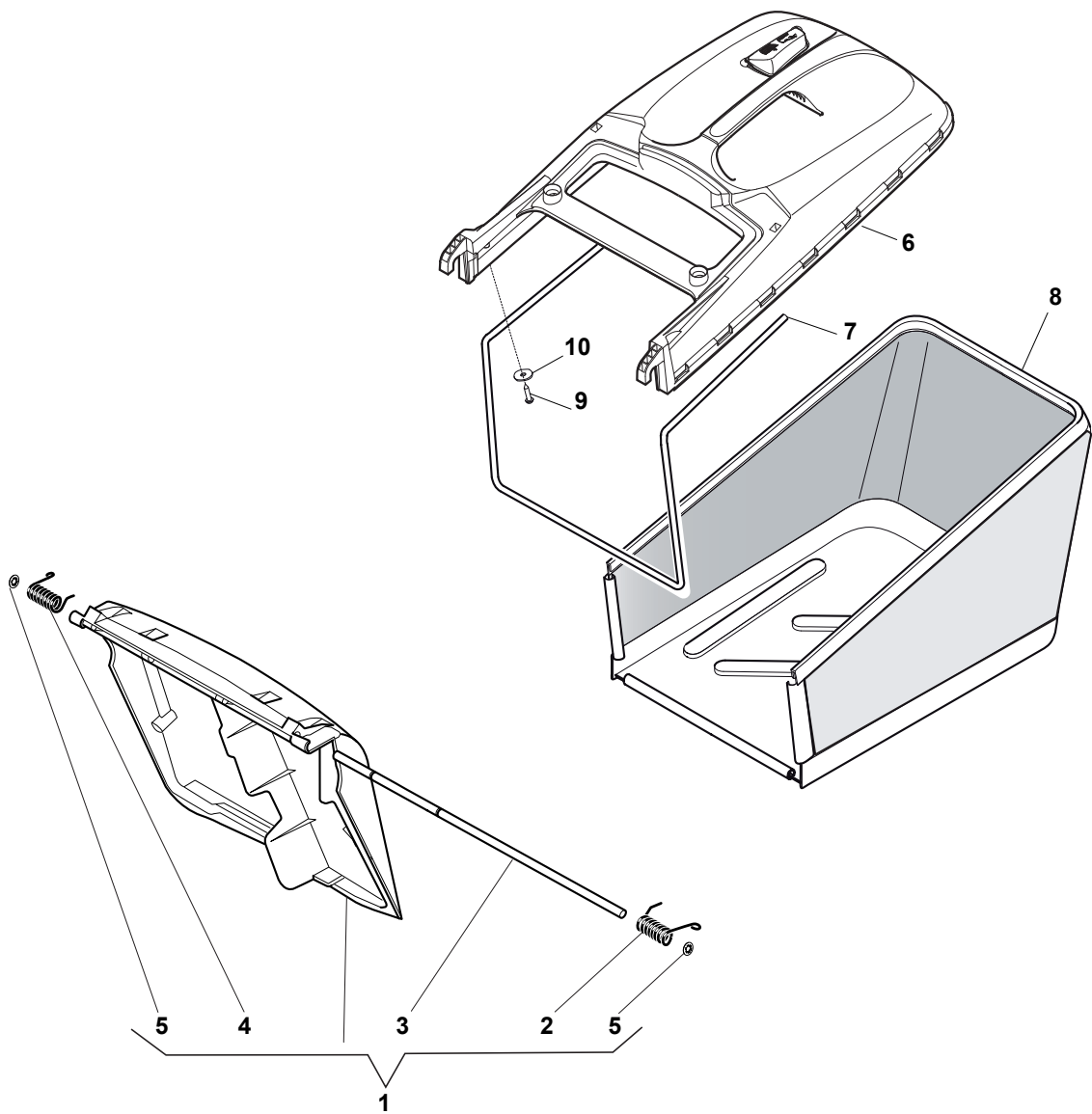


# NTL 534 W TR/E 4S - W TRQ/E 4S

WBH Petrol Steel Grass-Catcher - Delta Bag

Issue 9 - 2015

Fig.	Quantity	Part No	Description	Notes
1	1	381008129/0	Stone Guard, Yellow	Yellow
1	1	381008128/0	Stone Guard, Black	Black
2	1	122450466/0	Left Spring	
3	1	122517882/0	Pin	
4	1	122450465/0	Right Spring	
5	2	112604899/0	Crown Fastener	
6	1	322393657/0	Handle	Black
6	1	322393721/0	Handle	Grey
7	1	381486009/0	Grass-Box, Upper	Black
7	1	381486031/0	Grass-Box, Upper	Grey
8	1	322486306/0	Grass-Box, L Lower	Black
9	1	322486305/0	Grass-Box, R Lower	Black

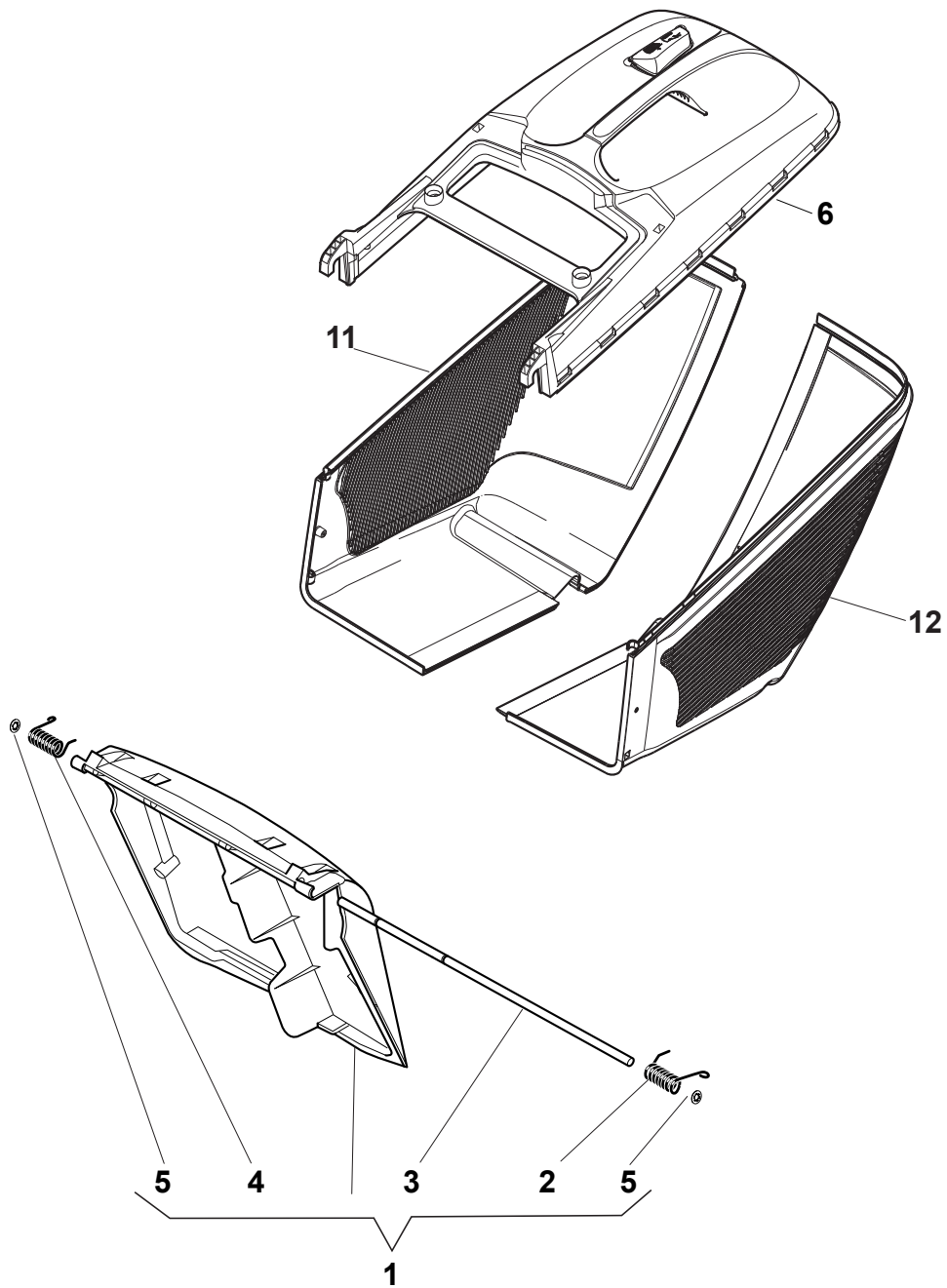


# NTL 534 W TR/E 4S - W TRQ/E 4S

WBH Petrol Steel Grass-Catcher

Issue 9 - 2015

Fig.	Quantity	Part No	Description	Notes
1	1	381008081/2	Stone Guard, Black	Black
1	1	381008098/1	Stone Guard, White	White
1	1	381008082/2	Stone Guard, Yellow	Yellow
2	1	122450466/0	Left Spring	
3	1	122517882/0	Pin	
4	1	122450465/0	Right Spring	
5	2	112604899/0	Crown Fastener	
6	1	381486008/0	Grass-Box, Upper Part	Black
6	1	381486030/0	Grass-Box, Upper Part	Grey
6	1	381486012/0	Grass-Box, Upper Part	Yellow
7	1	122608525/1	Stiffening Lower	
8	1	181002211/0	Box, Fabric	
9	2	112728680/0	Screw	
10	2	112523050/0	Washer	



# NTL 534 W TR/E 4S - W TRQ/E 4S

WBH Petrol Steel Grass-Catcher

Issue 9 - 2015

Fig.	Quantity	Part No	Description	Notes
1	1	381008081/2	Stone Guard, Black	Black
1	1	381008098/1	Stone Guard, White	White
1	1	381008082/2	Stone Guard, Yellow	Yellow
2	1	122450466/0	Left Spring	
3	1	122517882/0	Pin	
4	1	122450465/0	Right Spring	
5	2	112604899/0	Crown Fastener	
6	1	381486008/0	Grass-Box, Upper Part	Black
6	1	381486030/0	Grass-Box, Upper Part	Grey
6	1	381486012/0	Grass-Box, Upper Part	Yellow
11	1	322486150/1	Grass-Box, Right Lower Part	
12	1	322486151/1	Grass-Box, Left Lower Part	

code	pos.	q.ty	page									
112000930/0	5	1	p. 37	112728530/0	3	1	p. 31	122486093/0	6	1	p. 37	
112000930/0	12	1	p. 11	112728530/0	4	3	p. 31	122517869/1	8	1	p. 5	
112139100/0	7	1	p. 33	112728680/0	7	2	p. 39	122517882/0	3	1	p. 39	
112139100/0	7	1	p. 35	112728680/0	9	2	p. 43	122517882/0	3	1	p. 41	
112139150/0	7	1	p. 33	112728697/0	9	2	p. 7	122517882/0	3	1	p. 43	
112139150/0	7	1	p. 35	112728697/0	33	4	p. 3	122517882/0	3	1	p. 45	
112150000/0	8	1	p. 3	112728697/0	35	4	p. 3	122517906/1	3	1	p. 37	
112154510/0	4	1	p. 3	112728702/0	1	1	p. 21	122534131/0	2	1	p. 3	
112154510/0	4	1	p. 13	112728702/0	27	2	p. 23	122570133/0	40	1	p. 3	
112154510/0	5	2	p. 5	112728706/0	39	6	p. 3	122570134/0	37	1	p. 3	
112154510/0	6	1	p. 11	112731590/0	4	2	p. 19	122601914/0	22	1	p. 23	
112154510/0	7	1	p. 11	112735103/0	2	1	p. 17	122601915/0	16	1	p. 23	
112154510/0	8	2	p. 7	112735105/0	3	2	p. 15	122601932/0	6	1	p. 23	
112154510/0	9	1	p. 15	112735108/1	1	3	p. 33	122608505/0	6	1	p. 39	
112154510/0	10	1	p. 23	112735108/1	1	3	p. 35	122608523/0	9	1	p. 37	
112154510/0	14	3	p. 3	112735698/0	6	1	p. 33	122608525/1	7	1	p. 43	
112154510/0	17	1	p. 3	112735698/0	6	1	p. 35	122671656/0	18	1	p. 23	
112154510/0	18	2	p. 7	112760605/0	10	2	p. 9	122753000/0	3	2	p. 23	
112154510/0	19	1	p. 23	112788512/0	5	1	p. 3	122943006/0	12	1	p. 15	
112154510/0	23	1	p. 23	112791011/0	11	1	p. 23	122943013/0	10	1	p. 3	
112155000/0	12	2	p. 9	112791500/0	5	1	p. 15	125038002/1	11	2	p. 9	
112155000/0	25	4	p. 3	114356743/1	11	1	p. 15	133320022/0	2	1	p. 21	
112292102/0	13	1	p. 23	114356744/1	11	1	p. 15	135064010/0	8	1	p. 23	
112436051/0	12	1	p. 3	114356906/1	11	1	p. 15	181002195/0	8	1	p. 37	
112521310/0	3	2	p. 19	114357646/1	11	1	p. 15	181002211/0	8	1	p. 43	
112521310/0	7	1	p. 3	118120052/0	5	1	p. 19	181002345/0	11	1	p. 39	
112521330/0	3	1	p. 13	118203853/0	6	2	p. 5	181003096/3	4	1	p. 23	
112521330/0	8	1	p. 11	118204120/0	6	1	p. 19	181003300/1	9	1	p. 13	
112521350/0	24	4	p. 3	118204121/0	6	1	p. 19	181003301/0	12	1	p. 13	
112523000/1	2	2	p. 7	118204136/0	6	1	p. 19	181004381/1	3	1	p. 33	
112523000/1	8	2	p. 31	118204192/3	8	1	p. 19	181004398/0	3	1	p. 35	
112523040/0	3	1	p. 17	118204198/0	8	1	p. 19	181005501/1	1	1	p. 17	
112523040/0	7	1	p. 15	118210016/1	12	1	p. 19	181005503/1	1	1	p. 17	
112523040/0	8	1	p. 15	118390020/0	5	1	p. 13	181005504/1	1	1	p. 17	
112523050/0	10	2	p. 43	118450051/0	7	1	p. 19	181005515/0	1	1	p. 17	
112523050/0	15	1	p. 23	119216035/0	2	2	p. 23	181005537/0	1	1	p. 17	
112523050/0	21	1	p. 23	119216035/0	2	8	p. 25	181030053/0	6	1	p. 13	
112523080/0	5	1	p. 33	119216035/0	2	8	p. 27	181030056/0	5	1	p. 11	
112523080/0	5	1	p. 35	122033285/0	5	1	p. 23	181030057/0	5	1	p. 11	
112530060/0	6	1	p. 15	122041966/0	8	1	p. 13	181030070/0	6	1	p. 13	
112604896/0	9	2	p. 5	122041966/0	11	1	p. 13	322034002/0	19	1	p. 3	
112604899/0	5	2	p. 39	122060193/0	2	1	p. 31	322060197/3	5	1	p. 31	
112604899/0	5	2	p. 41	122131750/0	6	4	p. 9	322076570/1	3	1	p. 21	
112604899/0	5	2	p. 43	122140222/0	6	1	p. 31	322108295/1	1	1	p. 5	
112604899/0	5	2	p. 45	122160400/0	4	1	p. 33	322109530/0	2	1	p. 19	
112608600/0	1	2	p. 23	122160400/0	4	1	p. 35	322110382/0	4	2	p. 29	
112645700/0	7	1	p. 23	122291050/0	13	1	p. 13	322110416/0	5	2	p. 29	
112674700/0	20	1	p. 23	122430313/0	2	1	p. 13	322110417/0	14	2	p. 29	
112689500/0	14	1	p. 23	122430313/0	9	1	p. 11	322110492/0	6	2	p. 29	
112727787/0	2	1	p. 11	122446192/0	41	1	p. 3	322110511/0	13	2	p. 29	
112727799/0	6	2	p. 7	122450410/1	4	1	p. 37	322110560/0	15	2	p. 29	
112727799/0	17	2	p. 7	122450420/1	2	1	p. 37	322110640/0	3	2	p. 27	
112727801/0	15	1	p. 3	122450456/0	7	1	p. 5	322110641/0	12	2	p. 29	
112727803/0	3	2	p. 5	122450460/0	32	1	p. 3	322110643/0	1	2	p. 29	
112727803/0	13	3	p. 3	122450465/0	4	1	p. 39	322110644/0	10	2	p. 29	
112728124/0	3	2	p. 7	122450465/0	4	1	p. 41	322110645/0	2	2	p. 29	
112728124/0	9	2	p. 31	122450465/0	4	1	p. 43	322110646/0	11	2	p. 29	
112728300/0	1	1	p. 21	122450465/0	4	1	p. 45	322110649/0	2	2	p. 29	
112728300/0	11	1	p. 19	122450466/0	2	1	p. 39	322110650/0	11	2	p. 29	
112728300/0	14	2	p. 7	122450466/0	2	1	p. 41	322110687/0	3	2	p. 29	
112728300/0	26	1	p. 23	122450466/0	2	1	p. 43	322120115/0	38	2	p. 3	
112728445/0	7	2	p. 37	122450466/0	2	1	p. 45	322120189/0	10	1	p. 15	
112728450/0	18	1	p. 3	122465607/3	2	1	p. 33	322192156/0	13	1	p. 9	
112728460/0	13	1	p. 15	122465607/3	2	1	p. 35	322226145/0	5	1	p. 7	
				122465608/2	2	1	p. 33	322226146/0	5	1	p. 7	
				122465608/2	2	1	p. 35	322226152/0	5	1	p. 7	

code	pos.	q.ty	page				
322226154/0	5	1	p. 7	381007416/2	3	2	p. 25
322226158/0	15	1	p. 7	381007417/2	5	2	p. 25
322226166/0	13	1	p. 7	381007477/0	1	2	p. 27
322226167/0	12	1	p. 7	381007478/1	4	2	p. 25
322291150/0	1	1	p. 31	381007478/1	4	2	p. 27
322393638/0	7	1	p. 7	381007483/1	1	2	p. 25
322393639/0	7	1	p. 7	381007522/0	1	1	p. 13
322393640/0	7	1	p. 7	381007525/0	1	1	p. 13
322393642/0	16	1	p. 7	381007539/0	1	1	p. 9
322393657/0	6	1	p. 41	381008021/2	1	1	p. 37
322393657/0	9	1	p. 39	381008081/2	1	1	p. 43
322393721/0	6	1	p. 41	381008081/2	1	1	p. 45
322393721/0	9	1	p. 39	381008082/2	1	1	p. 43
322394503/0	6	1	p. 3	381008082/2	1	1	p. 45
322394522/0	20	1	p. 3	381008098/1	1	1	p. 43
322399809/0	25	1	p. 23	381008098/1	1	1	p. 45
322399835/0	7	4	p. 9	381008128/0	1	1	p. 39
322486150/1	11	1	p. 45	381008128/0	1	1	p. 41
322486151/1	12	1	p. 45	381008129/0	1	1	p. 39
322486305/0	9	1	p. 41	381008129/0	1	1	p. 41
322486306/0	8	1	p. 41	381008609/0	14	1	p. 15
322500103/0	1	1	p. 7	381030055/0	4	1	p. 11
322500103/0	7	1	p. 31	381030092/1	10	1	p. 13
322545152/0	34	2	p. 3	381103350/0	14	2	p. 9
322545159/0	8	2	p. 39	381302835/1	31	1	p. 3
322545204/0	7	1	p. 13	381486008/0	6	1	p. 43
322551640/0	3	1	p. 11	381486008/0	6	1	p. 45
322600145/0	21	2	p. 3	381486009/0	7	1	p. 41
322600208/0	27	2	p. 3	381486009/0	10	1	p. 39
322600313/0	2	1	p. 5	381486012/0	6	1	p. 43
322675113/0	9	1	p. 23	381486012/0	6	1	p. 45
322680016/0	5	4	p. 9	381486030/0	6	1	p. 43
322722804/1	9	1	p. 19	381486030/0	6	1	p. 45
322722805/1	10	1	p. 19	381486031/0	7	1	p. 41
322785123/0	1	1	p. 19	381486031/0	10	1	p. 39
322785304/1	36	2	p. 3	381600400/0	4	1	p. 21
322806623/0	17	1	p. 23	422120152/0	15	1	p. 15
322806625/1	12	1	p. 23	422120154/0	15	1	p. 15
322806639/0	4	1	p. 5	422120158/0	15	1	p. 15
322820082/0	10	1	p. 7	481007160/0	1	1	p. 15
322820083/0	11	1	p. 7				
322981467/0	4	1	p. 15				
381002032/0	11	1	p. 3				
381002887/1	16	1	p. 3				
381003253/0	4	4	p. 9				
381003297/1	11	1	p. 11				
381003330/0	10	1	p. 11				
381003398/0	3	1	p. 3				
381004540/0	1	1	p. 3				
381004542/0	1	1	p. 3				
381004590/0	1	1	p. 3				
381004732/0	1	1	p. 3				
381005149/0	2	1	p. 9				
381005151/0	3	1	p. 9				
381005185/0	2	1	p. 9				
381005187/0	3	1	p. 9				
381006719/0	1	1	p. 9				
381006720/0	1	1	p. 9				
381006803/0	1	1	p. 11				
381006805/0	1	1	p. 11				
381006838/0	1	1	p. 13				
381007110/0	24	1	p. 23				
381007221/0	2	1	p. 15				
381007280/2	2	1	p. 15				