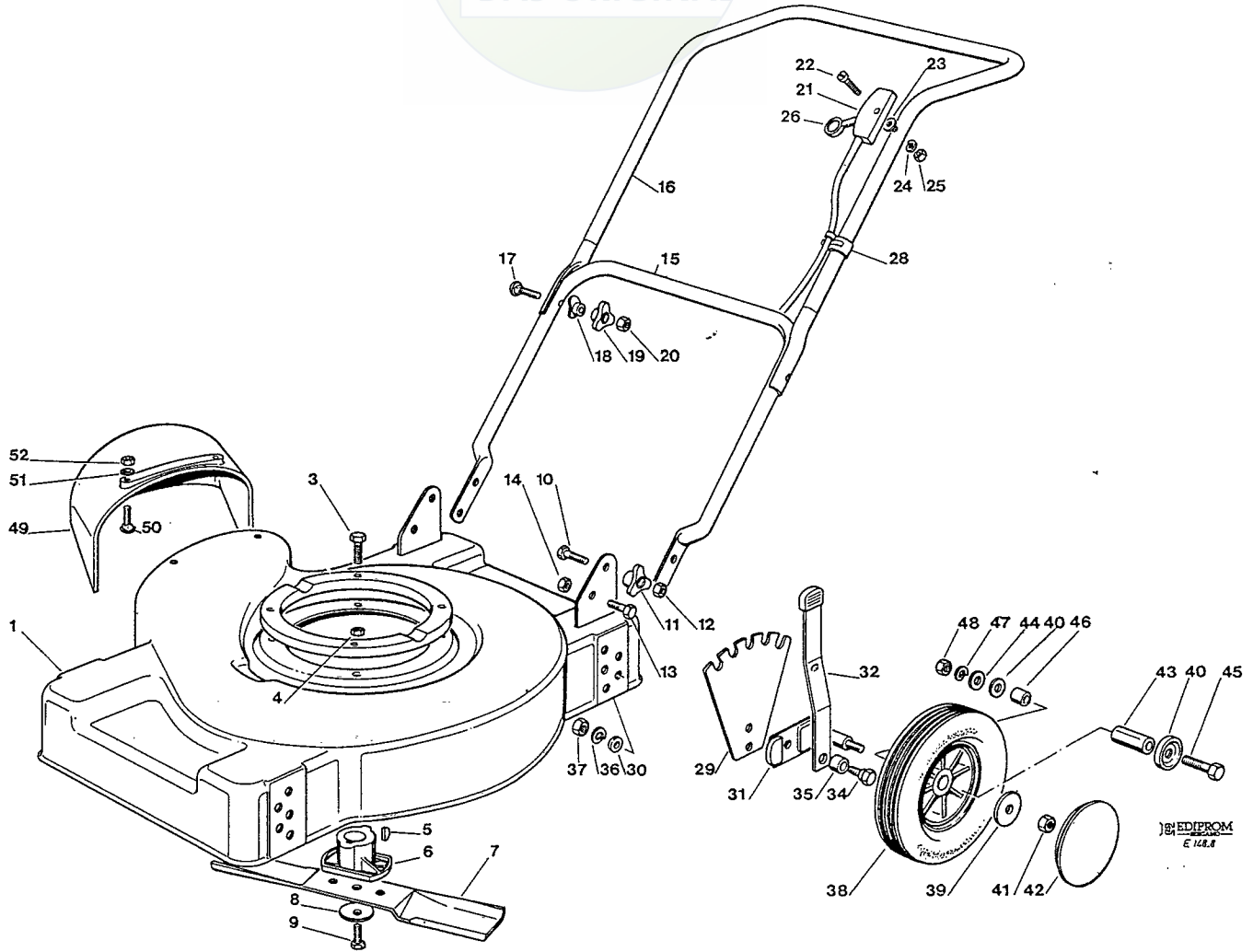


SICHER IST DAS:  
DAS ORIGINAL



Pos. Nr.	Codice Kodex Code	Descrizione	Description	Description	Beschreibung	Q.tà Q.ty Q.tè Menge
1	81000053/1	CHASSIS ROSSO	RED DECK	CHASSIS ROUGE	GEHÄUSE ROT	1
3	12793700/0	VITE	SCREW	VIS	SCHRAUBE	3
4	12293201/0	DADO	NUT	ECROU	MUTTER	3
5	12139100/0	LINGUETTA	KEY	CLAVETTE	KEY	1
6	22463012/0	MOZZO PORTACOLTELLO	BLADE HUB	POYEU PORTE-COUTEAU	MESSERHALTER	1
7	81004385/0	COLTELLO	BLADE	COUTEAU	MESSER	1
8	22160400/0	DISCO	DISK	DISQUE	RADKAPPE	1
9	12735698/0	VITE	SCREW	VIS	SCHRAUBE	1
10	12793700/0	VITE	SCREW	VIS	SCHRAUBE	2
11	22399900/0	MANOPOLA	KNOB	POIGNÉE	GRIFF	2
12	12293200/0	DADO	NUT	ECROU	MUTTER	2
13	12792610/0	VITE	SCREW	VIS	SCHRAUBE	2
14	12155000/0	DADO	NUT	ECROU	MUTTER	2
15	81006556/0	PARTE INF. MANICO (NERO)	LOWER HANDLE (BLACK)	PARTIE INF. MANCHERON (NOIR)	HOLMUNTERTEIL (SCHWARZ)	1
15A	81006901/0	PARTE INF. MANICO (ROSSO)	LOWER HANDLE (RED)	PARTIE INF. MANCHERON (ROUGE)	HOLMUNTERTEIL (ROT)	1
16	81006562/0	PARTE SUP. MANICO	UPPER HANDLE	PARTIE SUP. MANCHERON	HOLMOBERTEIL	1
17	12819120/0	VITE	SCREW	VIS	SCHRAUBE	2
18	22680006/1	RONDELLA	WASHER	RONDELLE	SCHIBE	2
19	22399900/0	MANOPOLA	KNOB	POIGNÉE	GRIFF	2



Pos. Nr.	Codice Kodex Code	Descrizione	Description	Description	Beschreibung	Q.tà Q.ty Q.tè Menge
20	12293200/0	DADO	NUT	ECROU	MUTTER	2
21	81007042/0	ASS. ACC. 4 T TECN. C.P.	ASS'Y ACCELERATOR TECHN. ENGINE 4 STROMES R.SP.	ENS. ACCELERATEUR MOTEUR TECN. 4 T B.A.R.	BEDIENUNGSHEBEL 4 T TECN. H.K.	1
	81007042/0	ASS. ACC. BS CA/2 T C.A.	ACCELERATOR ASS'Y B+S ENGINE 2 STROKES F.SP.	ENS. ACCELERATEUR MOTEUR B+S 2 T B.AV.	DEDIENUNGSHEBEL B&S V.K/2 T V.K.	1
22	12923020/0	VITE	SCREW	VIS	SCHRAUBE	4
23	12523040/0	RONDELLA	WASHER	RONDELLE	SCHEIBE	4
24	12582100/0	GROWER	GROWER	RONDELLE GROWER	FEDERRING	4
25	12292100/0	DADO	NUT	ECROU	MUTTER	4
26	81007250/0	ASS. LEVA ACCELERATORE	ACCELERATOR LEVER ASS'Y	ENS. LEVIER ACCEL.	GAS ZÜGHEBELSATZ	1
28	22192000/0	FASCETTA ANCORAGGIO	ANCHOR CLAMP	BANDE ANCRAGE GAINÉ	BOWDENZUGHALTER	1
29	22735530/0	SETTORE REGOLAZIONE	GEIGHT ADJ. SECTOR	SECTEUR REGLAGE	VERSTELLUNGSSEKTOR	4
30	12523080/0	RONDELLA	WASHER	RONDELLE	SCHEIBE	4
31	81005073/0	SUPPORTO RUOTA	WHEEL SUPPORT	SUPPORT ROUE	RADHALTER	4
32	81003273/0	ASS. LEVA REGOLAZIONE	HEIGHT ADJ. LEVER ASS'Y	LEVIER REGLAGE	VERSTELLUNGSHEBEL	4
34	12794200/0	VITE	SCREW	VIS	SCHRAUBE	4
35	22170200/0	DISTANZIALE	SPACING	ENTRETOISE	DISTANZRING	4
36	12585100/0	GROWER	GROWER	RONDELLE GROWER	FEDERRING	4
37	12295200/0	DADO	NUT	ECROU	MUTTER	4
38	81003025/0	RUOTA	WHEEL	ROUE	RAD	4
39	12523060/0	RONDELLA	WASHER	RONDELLE	SCHEIBE	4
40	12523060/0	RONDELLA	WASHER	RONDELLE	SCHEIBE	4
41	12293201/0	DADO	NUT	ECROU	MUTTER	4
42	22110272/0	COPRIMOZZO	HUB CAP	COUVRE MOYEU	RADKAPPE	1
43	22869650/0	TUBO PER RUOTA	WHEEL TUBE	TUBE POUR ROUE	BUCHSE	4
44	12521350/0	RONDELLA	WASHER	RONDELLE	SCHEIBE	8
45	12691800/0	VITE	SCREW	VIS	SCHRAUBE	4
46	22172420/0	DISTANZIALE	SPACING	ENTRETOISE	DISTANZRING	4
47	12583500/0	GROWER	GROWER	RONDELLE GROWER	FEDERRING	4
48	12293200/0	DADO	NUT	ECROU	MUTTER	4
49	22483330/0	ASS. PARASASSI	STONE-GUARD ASS'Y	ASS. PARE-PIÈRES	PRALLBLECHSATZ	1
50	12791200/0	VITE	SCREW	VIS	SCHRAUBE	2
51	12582100/0	GROWER	GROWER	RONDELLE GROWER	FEDERRING	2
51A	12523040/0	RONDELLA	WASHER	RONDELLE	SCHEIBE	2
52	12292100/0	DADO	NUT	ECROU	MUTTER	2
-	81008545/0	DOTAZIONE VITERIA C.A. = CANDELA ANTERIORE C.P. = CANDELA POSTERIORE	SCREWS EQUIPMENT R.SP. = REAR SPARK PLUG F.SP. = FRONT SPARK PLUG	DOTATION VISSERIE B.AR. = BOUGIE ARRIERE B.AV. = BOUGIE AVANT	SCHRAUBENSATZ V.K. = VÖRDERKERZE H.K. = HINTERKERZE	1