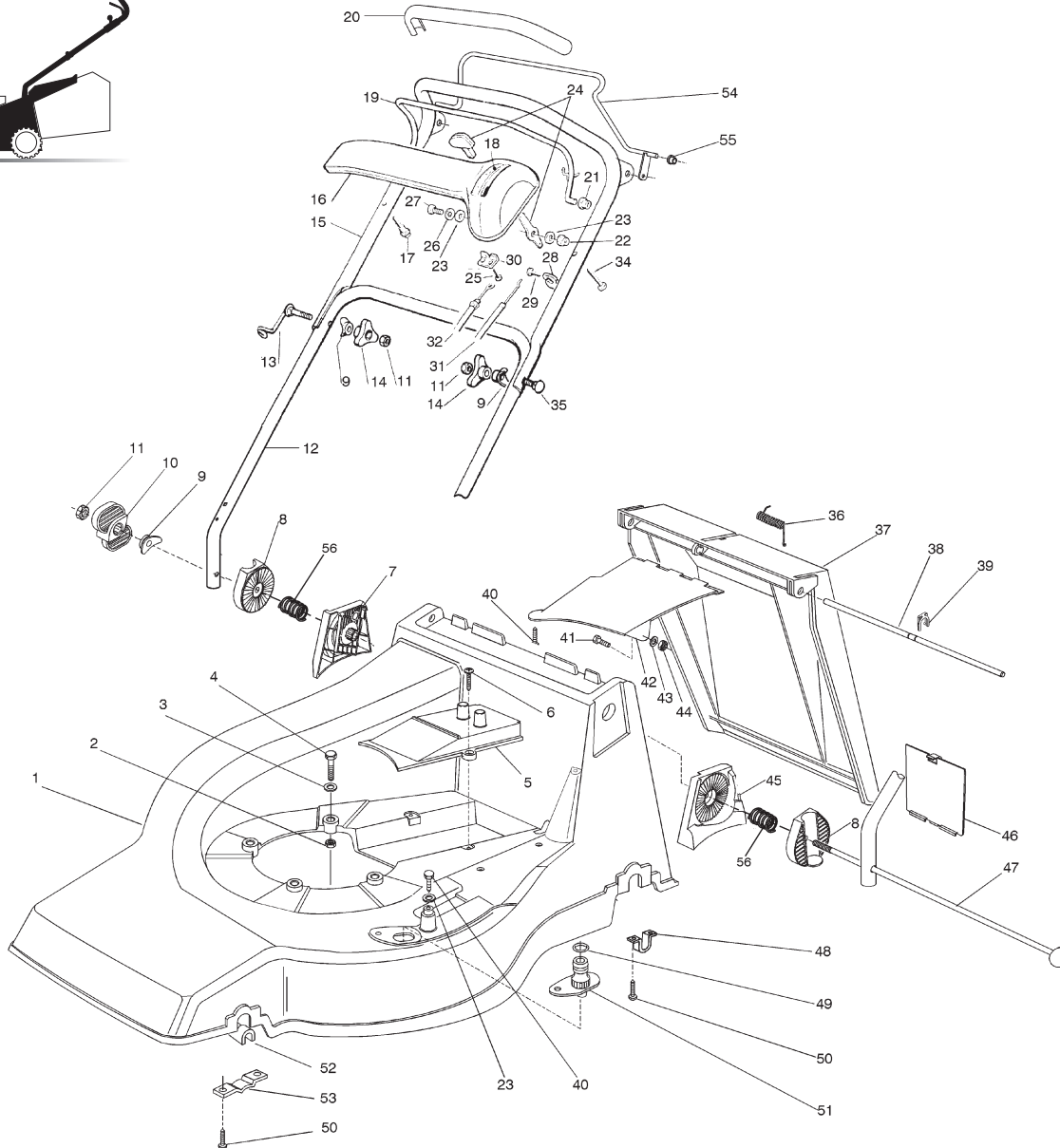
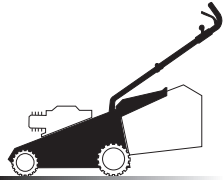


1



- H 350
- K 350
- K 390
- C 350
- C 390
- NG 410 / 410 S
- NG 460
- NG 414
- NG 464
- NG 464 TR
- NG 464 TR-E
- NG 504
- NG 504 TR
- NG 504 TR-E
- R 430 / 430 S
- R 480
- R 430 TR
- R 434
- R 484
- R 534
- R 484 TR / TR-E
- R 534 TR / TR-E
- RL 430 / 430 S
- RL 480
- RL 430 TR
- RL 434
- RL 484
- RL 534
- RL 484 TR
- RL 484 TR-E
- RL 534 TR
- RL 534 TR-E
- TD 430 / 430 S
- TD 480
- TD 430 TR
- TD 434
- TD 484
- TD 534
- TD 484 TR
- TD 484 TR-E
- TD 534 TR
- TD 534 TR-E
- TDL 430 / 430 S
- TDL 480
- TDL 430 TR
- TDL 434
- TDL 484
- TDL 534
- TDL 484 TR
- TDL 484 TR-E
- TDL 534 TR
- TDL 534 TR-E
- CA 430
- CA 480
- CA 434
- CA 484
- CA 534
- CA 430 TR
- CA 434 TR
- CA 484 TR / TR-E
- CA 534 TR / TR-E
- CAL 430
- CAL 480
- CAL 434
- CAL 484
- CAL 534
- CAL 430 TR
- CAL 434 TR
- CAL 484 TR / TR-E
- CAL 534 TR / TR-E
- T 430 / 430 S
- T 480
- T 434
- T 484
- T 484 TR
- T 484 TR-E
- PAN 504
- PAN 504 TR
- PAN 504 TR-E
- PAN 504 TR-E 3S
- PAN 504 TR 3S
- NP 534
- NP 534 TR
- NP 534 TR-E
- NP 534 TR 3S
- NP 534 TR-E 3S
- S 474 L

01T.036

Pos	Code	Q.ty	Descrizione	Description	Description	Beschreibung
1	81001714/ 0	1	CHASSIS ROSSO	DECK RED	CHÂSSIS ROUGE	GEHÄUSE ROTES
-	81001715/ 0	1	CHASSIS GIALLO	DECK YELLOW	CHÂSSIS JAUNE	GEHÄUSE GELBES
-	81001716/ 0	1	CHASSIS VERDE	DECK GREEN	CHÂSSIS VERT	GEHÄUSE GRÜNES
2	12155000/ 0	3	DADO	NUT	ECROU	MUTTER
3	12521350/ 0	3	RONDELLA	WASHER	RONDELLE	SCHEIBE
4	12691800/ 0	3	VITE (M8X60)	SCREW (M8X60)	VIS (M8X60)	SCHRAUBE (M8X60)
5	22060181/ 1	1	CARTER CINGHIA	PROTECTION, BELT	PROTECTION COURROIRE	SCHUTZ, RIEMEN
6	12728522/ 0	2	VITE	SCREW	VIS	SCHRAUBE
7	22785077/ 0	1	SUPPORTO INTERNO DX	SUPPORT, RIGHT INTERNAL	SUPPORT INTERNE DROIT	HALTER, INNERE RECHTS
8	22785076/ 0	2	SUPPORTO ESTERNO	SUPPORT, EXTERNAL	SUPPORT EXTERNE	HALTER, AUßERE
9	22680006/ 1	3	RONDELLA	WASHER	RONDELLE	SCHEIBE
10	22399803/ 0	1	MANOPOLINA	KNOB	POIGNÉE	GRIF
11	12293202/ 0	3	DADO	NUT	ECROU	MUTTER
12	81007033/ 0	1	MANICO, PARTE INFERIORE	HANDLE, LOWER PART	MANCHERON, PARTIE INFÉRIEURE	HOLM, UNTERTEIL
13	81003801/ 0	1	MOLLA GUIDA	SPRING	RESSORT	FEDER
14	22399900/ 0	2	MANOPOLINA	KNOB	POIGNÉE	GRIF
15	81007024/ 0	1	MANICO, PARTE SUPERIORE	HANDLE, UPPER PART	MANCHERON, PARTIE SUPÉRIEURE	HOLM, OBERTEIL
16	22120152/ 0	1	CRUSCOTTO GIALLO	DASH BOARD YELLOW	CONSOLE JAUNE	KONSOLE GELBE
-	22120154/ 0	1	CRUSCOTTO ROSSO	DASH BOARD RED	CONSOLE ROUGE	KONSOLE ROTE
-	22120158/ 0	1	CRUSCOTTO NERO	DASH BOARD BLACK	CONSOLE NOIRE	KONSOLE SCHWARZE
17	22943006/ 0	1	VITE	SCREW	VIS	SCHRAUBE
18	14356744/ 0	1	ETICHETTA	LABEL	ETIQUETTE	ETIKETTE (B&S)
-	14356743/ 0	1	ETICHETTA	LABEL	ETIQUETTE	ETIKETTE (TECUMSEH-HONDA)
19	81003291/ 2	1	LEVA FRENO MOTORE	LEVER, MOTOR BRAKE	LEVIER FREIN MOTEUR	HEBEL, MOTORBREMSE
20	22291052/ 0	1	IMPUGNATURA MANICO GIALLA	HANDGRIP YELLOW	POIGNÉE JAUNE	HANDGRIF GELBER
-	22291051/ 0	1	IMPUGNATURA MANICO ROSSA	HANDGRIP RED	POIGNÉE ROUGE	HANDGRIF RÖTER

1

2

3

4

5

6

-	22291050/0	1	IMPUGNATURA MANICO NERA	HANDGRIP BLACK	POIGNÉE NOIRE	HANDGRIFF SCHWARZER	H 350
21	22041966/0	2	BUSSOLA	BUSH	DOUILLE	BUCHSE	K 350
22	12154510/0	1	DADO	NUT	ECROU	MUTTER	K 390
23	12523040/0	3	RONDELLA	WASHER	RONDELLE	SCHIBE	C 350
24	81007280/2	1	LEVA, ACCELERATORE	LEVER, THROTTLE	LEVIER, ACCELERATEUR	HEBEL, BESHLEUNIGER	C 390
25	12735105/0	2	VITE	SCREW	VIS	SCHRAUBE	NG 410 / 410 S
26	12530060/0	1	RONDELLA ELASTICA	ELASTIC WASHER	RONDELLE ELASTIQUE	ELASTISCHE SCHEIBE	NG 460
27	12791500/0	1	VITE	SCREW	VIS	SCHRAUBE	NG 414
28	81003288/1	1	LEVA TRAZIONE	LEVER, DRIVING	LEVIER TRACTION	HEBEL, ANTRIEB	NG 464
29	22041965/0	1	BUSSOLA	BUSH	DOUILLE	BUCHSE	NG 464 TR
30	22981467/0	1	PIASTRINA	PLATE	PLAQUETTE	PLATTE	NG 464 TR-E
31	81007160/0	1	CAVO ACCELERATORE	CABLE, TROTTLE	CABLE, ACCELERATEUR	KABE, BESCHLEUNIGER	NG 504
32	81000641/0	1	CAVO FRENO MOTORE	CABLE, THREAD MOTOR BRAKE	CABLE FREIN MOTEUR	KABEL, MOTORBREMSE (HONDA GCV 136-165)	NG 504 TR
-	81000631/0	1	CAVO FRENO MOTORE	CABLE, THREAD MOTOR BRAKE	CABLE FREIN MOTEUR	KABEL, MOTORBREMSE (QUANTUM XM ES40)	NG 504 TR-E
-	81000629/1	1	CAVO FRENO MOTORE	CABLE, THREAD MOTOR BRAKE	CABLE FREIN MOTEUR	KABEL, MOTORBREMSE (TECUMSEH)	R 430 / 430 S
33	22038399/0	2	BRONZINA	BRASS	DOUILLE	BUCHSE	R 480
34	12728460/0	1	VITE	SCREW	VIS	SCHRAUBE	R 430 TR
35	12819201/0	1	VITE	SCREW	VIS	SCHRAUBE	R 434
36	22450270/0	1	MOLLA	SPRING	RESSORT	FEDER	R 484
37	22600023/2	1	PARASASSI	STONE-GUARD	PARE-PIERRES	PRALLBLECH	R 534
38	22517857/0	1	PERNO	PIN	PIVOT	BOLZEN	R 484 TR / TR-E
39	12436050/0	1	PIASTRINA	PLATE	PLAQUETTE	PLÄTTCHEN	R 534 TR / TR-E
40	12729600/0	1	VITE	SCREW	VIS	SCHRAUBE	RL 430 / 430 S
41	12789000/0	1	VITE	SCREW	VIS	SCHRAUBE	RL 480
42	22108205/0	1	CONVOGLIATORE	CONVEYOR	CONVOYEUR	KONVEYOR	RL 430 TR
43	12523020/0	1	RONDELLA	WASHER	RONDELLE	SCHIBE	RL 434
44	12154330/0	1	DADO	NUT	ECROU	MUTTER	RL 484
45	22785078/0	1	SUPPORTO INTERNO SX	SUPPORT, LEFT INTERNAL	SUPPORT INTERNE GAUCHE	HALTER, INNERE LINKS	RL 534
46	22595352/0	1	PORTINA CHIUSURA	INSPECTION DOOR	VOYANT DE VISITE	ABDECKPLATTE	RL 484 TR
47	81001208/1	1	PERNO	PIN	PIVOT	BOLZEN	RL 484 TR-E
48	22545152/0	2	PIASTRINA	PLATE	PLAQUETTE	PLATTE	RL 534 TR
49	19035000/0	1	ANELLO OR	OR RING	BAGUE OR	RING OR	RL 534 TR-E
50	12731350/0	8	VITE	SCREW	VIS	SCHRAUBE	TD 430 / 430 S
51	22034000/0	1	ATTACCO ACQUA LAVAGGIO	WASHING CONNECTION	ATTAQUE LAVAGE	WASCHENVERBINDUNG	TD 480
52	22038400/1	2	BRONZINA	BRASS	DOUILLE	BUCHSE	TD 430 TR
53	22545156/0	2	PIASTRINA	PLATE	PLAQUETTE	PLATTE	TD 434
54	81003288/1	1	LEVA TRAZIONE	LEVER, DRIVING	LEVIER TRACTION	HEBEL, ANTRIEB	TD 484
55	22014965/0	2	BUSSOLA	BUSH	DOUILLE	BUCHSE	TD 534
56	22446190/0	2	MOLLA	SPRING	RESSORT	FEDER	TD 484 TR
-	81008621/0	1	DOTAZIONE VITERIA	OUTFIT, SCREWS	DOTATION VISSERIE	SATZ, SCHRAUBEN	TD 484 TR-E
-	81008609/0	1	DOTAZ. VITERIA CRUSCOTTO	OUTFIT, DASH-BOARD SCREWS	DOTATION VISSERIE CONSOLLE	SATZ, KONSOLLE SCHRAUBEN	TD 534 TR
							TD 534 TR-E
							TDL 430 / 430 S
							TDL 480
							TDL 430 TR
							TDL 434
							TDL 484
							TDL 534
							TDL 484 TR
							TDL 484 TR-E
							TDL 534 TR
							TDL 534 TR-E
							CA 430
							CA 480
							CA 434
							CA 484
							CA 534
							CA 430 TR
							CA 434 TR
							CA 484 TR / TR-E
							CA 534 TR / TR-E
							CAL 430
							CAL 480
							CAL 434
							CAL 484
							CAL 534
							CAL 430 TR
							CAL 434 TR
							CAL 484 TR / TR-E
							CAL 534 TR / TR-E
							T 430 / 430 S
							T 480
							T 434
							T 484
							T 484 TR
							T 484 TR-E
							PAN 504
							PAN 504 TR
							PAN 504 TR-E
							PAN 504 TR-E 3S
							PAN 504 TR 3S
							NP 534
							NP 534 TR
							NP 534 TR-E
							NP 534 TR 3S
							NP 534 TR-E 3S
							S 474 L

1

2

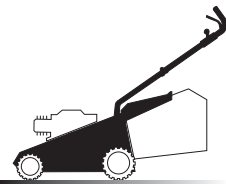
3

4

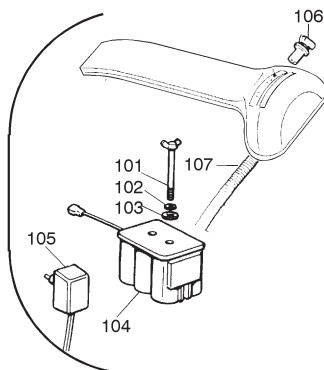
5

6

1



01D.008



01T.037

VARIANTI PER AVVIAMENTO ELETTRICO - PARTS FOR ELECTRIC START - COMPOSANTS POUR DÉMARRAGE ÉLECTRIQUE - ELEKTROSTART BESTANDTEILE

Pos	Code	Q.ty	Descrizione	Description	Description	Beschreibung
101	22517855/ 0	2	PERNO	PIN	PIVOT	BOLZEN
102	12523000/ 0	2	RONDELLA	WASHER	RONDELLE	SCHEIBE
103	12540020/ 0	2	RONDELLA	WASHER	RONDELLE	SCHEIBE
104	18120050/ 0	1	BATTERIA	BATTERY	BATTERIE	BATTERIE
105	18204110/ 0	1	CARICA BATTERIA	BATTERY CHARGER	CHARGEUR DE BATTERIE	LADGERÄT
106	18450050/ 0	1	INTERRUTTORE	SWITCH	INTERRUPTEUR	SCHALTER
107	18204190/ 2	1	CAVO AVVIAMENTO	CABLE, START	CABLE DÉMARRAGE	KABEL, START

- H 350
- K 350
- K 390
- C 350
- C 390
- NG 410 / 410 S
- NG 460
- NG 414
- NG 464
- NG 464 TR
- NG 464 TR-E
- NG 504
- NG 504 TR
- NG 504 TR-E
- R 430 / 430 S
- R 480
- R 430 TR
- R 434
- R 484
- R 534
- R 484 TR / TR-E
- R 534 TR / TR-E
- RL 430 / 430 S
- RL 480
- RL 430 TR
- RL 434
- RL 484
- RL 534
- RL 484 TR
- RL 484 TR-E
- RL 534 TR
- RL 534 TR-E
- TD 430 / 430 S
- TD 480
- TD 430 TR
- TD 434
- TD 484
- TD 534
- TD 484 TR
- TD 484 TR-E
- TD 534 TR
- TD 534 TR-E
- TDL 430 / 430 S
- TDL 480
- TDL 430 TR
- TDL 434
- TDL 484
- TDL 534
- TDL 484 TR
- TDL 484 TR-E
- TDL 534 TR
- TDL 534 TR-E
- CA 430
- CA 480
- CA 434
- CA 484
- CA 534
- CA 430 TR
- CA 434 TR
- CA 484 TR / TR-E
- CA 534 TR / TR-E
- CAL 430
- CAL 480
- CAL 434
- CAL 484
- CAL 534
- CAL 430 TR
- CAL 434 TR
- CAL 484 TR / TR-E
- CAL 534 TR / TR-E
- T 430 / 430 S
- T 480
- T 434
- T 484
- T 484 TR
- T 484 TR-E
- PAN 504
- PAN 504 TR
- PAN 504 TR-E
- PAN 504 TR-E 3S
- PAN 504 TR 3S
- NP 534
- NP 534 TR
- NP 534 TR-E
- NP 534 TR 3S
- NP 534 TR-E 3S
- S 474 L

1

2

3

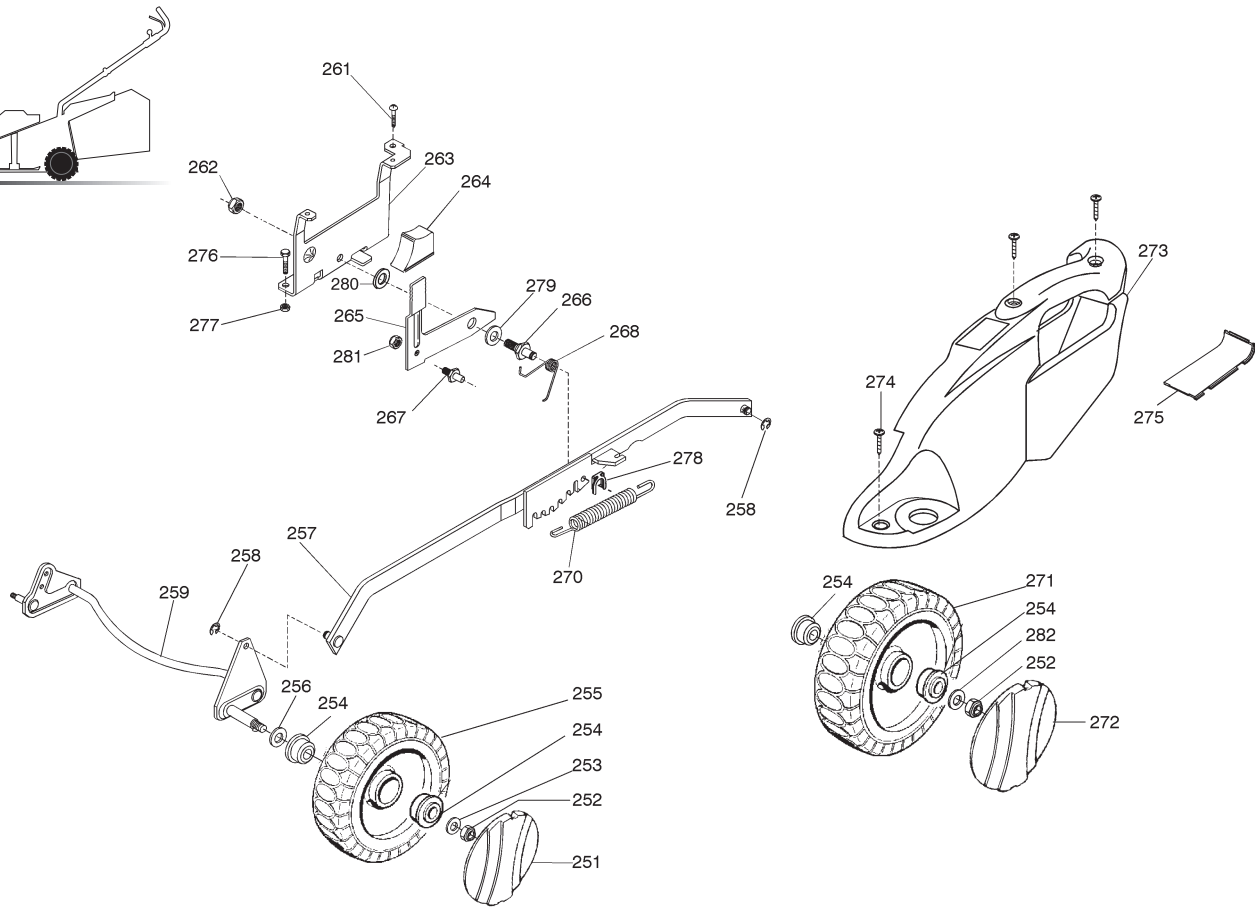
4

5

6

2

02D.017



02T.024

Pos	Code	Q.ty	Descrizione	Description	Description	Beschreibung	
251	22110252/ 0	2	COPRIMOZZO BIANCO	HUB CAP WHITE	COUVRE-MOYEU BLANC	RADKAPPE WEIÙE	Ø 170
-	22110254/ 0	2	COPRIMOZZO GIALLO	HUB CAP YELLOW	COUVRE-MOYEU JAUNE	RADKAPPE GELBE	Ø 170
-	22110255/ 0	2	COPRIMOZZO ROSSO	HUB CAP RED	COUVRE-MOYEU ROUGE	RADKAPPE ROTE	Ø 170
252	12155000/ 0	4	DADO	NUT	ECROU	MUTTER	
253	12521350/ 0	4	RONDELLA	WASHER	RONDELLE	SCHEIBE	
254	22122200/ 0	8	CUSCINETTO	BEARING	COUSSINET	LAGER	
255	81007317/ 0	2	RUOTA Ø 170	WHEEL Ø 170	ROUE Ø 170	RAD. Ø 170	
256	12530150/ 0	4	RONDELLA ELASTICA	ELASTIC WASHER	RONDELLE ELASTIQUE	ELASTISCHE SCHEIBE	
257	81001135/ 0	1	ASTA COMANDO REGOL. ALTEZZA	ROD, HEIGHT ADJUSTMENT CONTROL	TIGE COMMANDE REGLAGE HAUTEUR	STANGE, HÖHEVERSTELLUNG	
-	81001137/ 0	1	ASTA COMANDO REGOL. ALTEZZA	ROD, HEIGHT ADJUSTMENT CONTROL	TIGE COMMANDE REGLAGE HAUTEUR	STANGE, HÖHEVERSTELLUNG	(HONDA GCV 135/160)
258	12000930/ 0	2	ANELLO ELASTICO	SNAP RING	ANNEAU RESSORT	SPRENGRING	
259	81002801/ 0	1	ASSE RUOTE ANTERIORE	AXLE, FRONT WHEELS	AXE ROUES AVANT	ACHSE, VORDERRAD	
261	12731350/ 0	1	VITE	SCREW	VIS	SCHRAUBE	
262	12155000/ 0	1	DADO	NUT	ECROU	MUTTER	
263	22785115/ 0	1	SUPPORTO REGOLAZIONE ALTEZZA	SUPPORT, HEIGHT ADJUSTMENT	SUPPORT REGLAGE HAUTEUR	HALTER, HÖHEVERSTELLUNG	
264	22602000/ 0	1	PULSANTE COMANDO LEVA	PUSHBUTTON, LEVER CONTROL	BOUTON DE COMMANDE LEVIER	STEUERHEBELDRUCKKNOPF	
265	22322829/ 1	1	LEVA REGOLAZIONE ALTEZZA	LEVER, HEIGHT ADJUSTMENT	LEVIER REGLAGE HAUTEUR	HEBEL, HÖHEVERSTELLUNG	
266	22517880/ 1	1	PERNO	PIN	PIVOT	BOLZEN	
267	22519746/ 0	1	PERNO	PIN	PIVOT	BOLZEN	
268	22446176/ 0	1	MOLLA	SPRING	RESSORT	FEDER	
270	22446180/ 0	1	MOLLA	SPRING	RESSORT	FEDER	
271	81007318/ 1	2	RUOTA Ø 210	WHEEL Ø 210	ROUE Ø 210	RAD. Ø 210	
272	22110251/ 0	2	COPRIMOZZO BIANCO	HUB CAP WHITE	COUVRE-MOYEU BLANC	RADKAPPE WEIÙE	Ø 210
-	22110253/ 0	2	COPRIMOZZO GIALLO	HUB CAP YELLOW	COUVRE-MOYEU JAUNE	RADKAPPE GELBE	Ø 210
-	22110256/ 0	2	COPRIMOZZO ROSSO	HUB CAP RED	COUVRE-MOYEU ROUGE	RADKAPPE ROTE	Ø 210
273	22060146/ 0	1	CARTER REGOLAZIONE	DECK, ADJUSTMENT	CHÄSSIS REGLAGE	GEHÄUSE VERSTELLUNG	
274	12728520/ 0	4	VITE	SCREW	VIS	SCHRAUBE	
275	22546070/ 0	1	PIASTRINA	PLATE	PLAQUETTE	PLATTE	
276	12793301/ 0	2	VITE	SCREW	VIS	SCHRAUBE	
277	12293201/ 0	2	DADO	NUT	ECROU	MUTTER	
278	12436050/ 0	1	PIASTRINA	PLATE	PLAQUETTE	PLÄTTCHEN	
279	22672152/ 0	1	RONDELLA	WASHER	RONDELLE	SCHEIBE	
280	22672151/ 0	1	RONDELLA	WASHER	RONDELLE	SCHEIBE	
281	12154510/ 0	1	DADO	NUT	ECROU	MUTTER	
282	12369500/ 0	2	RONDELLA	WASHER	RONDELLE	SCHEIBE	

- H 350
- K 350
- K 390
- C 350
- C 390
- NG 410 / 410 S
- NG 460
- NG 414
- NG 464
- NG 464 TR
- NG 464 TR-E
- NG 504
- NG 504 TR
- NG 504 TR-E
- R 430 / 430 S
- R 480
- R 430 TR
- R 434
- R 484
- R 534
- R 484 TR / TR-E
- R 534 TR / TR-E
- RL 430 / 430 S
- RL 480
- RL 430 TR
- RL 434
- RL 484
- RL 534
- RL 484 TR
- RL 484 TR-E
- RL 534 TR
- RL 534 TR-E
- TD 430 / 430 S
- TD 480
- TD 430 TR
- TD 434
- TD 484
- TD 534
- TD 484 TR
- TD 484 TR-E
- TD 534 TR
- TD 534 TR-E
- TDL 430 / 430 S
- TDL 480
- TDL 430 TR
- TDL 434
- TDL 484
- TDL 534
- TDL 484 TR
- TDL 484 TR-E
- TDL 534 TR
- TDL 534 TR-E
- CA 430
- CA 480
- CA 434
- CA 484
- CA 534
- CA 430 TR
- CA 434 TR
- CA 484 TR / TR-E
- CA 534 TR / TR-E
- CAL 430
- CAL 480
- CAL 434
- CAL 484
- CAL 534
- CAL 430 TR
- CAL 434 TR
- CAL 484 TR / TR-E
- CAL 534 TR / TR-E
- T 430 / 430 S
- T 480
- T 434
- T 484
- T 484 TR
- T 484 TR-E
- PAN 504
- PAN 504 TR
- PAN 504 TR-E
- PAN 504 TR-E 3S
- PAN 504 TR 3S
- NP 534
- NP 534 TR
- NP 534 TR-E
- NP 534 TR 3S
- NP 534 TR-E 3S
- S 474 L

1

2

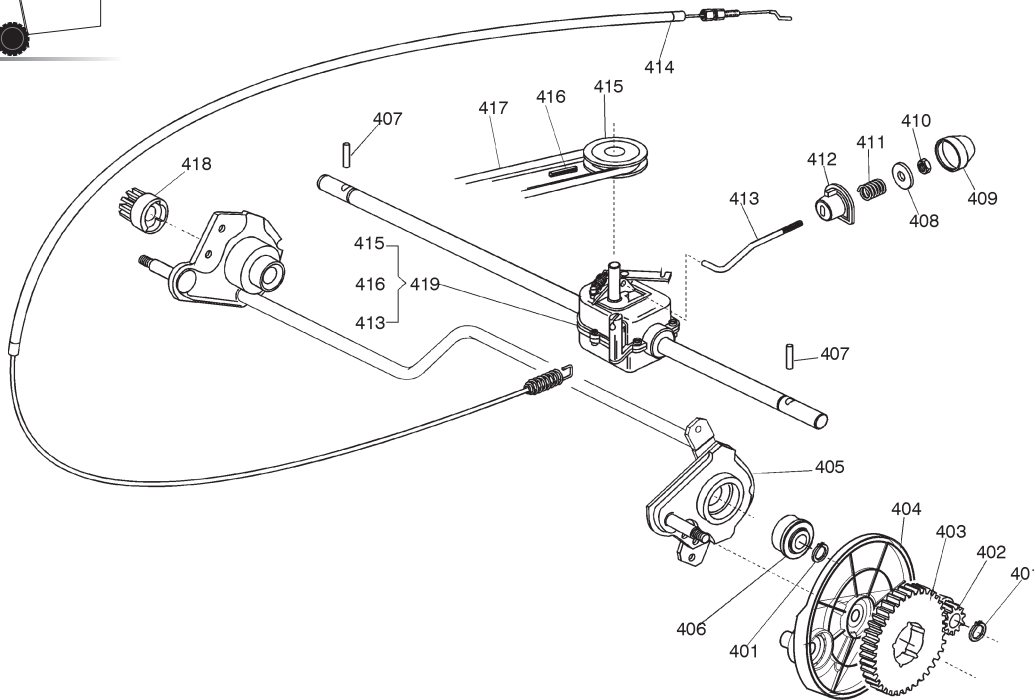
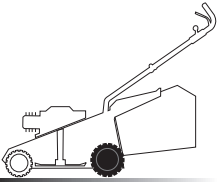
3

4

5

6

3



03D.003

03T.009

Pos	Code	Q.ty	Descrizione	Description	Description	Beschreibung
401	12608600/0	4	SEEGER	SEEGER	SEEGER	SEEGER
402	22570120/1	1	PIGNONE SINISTRO	PINION LEFT	PIGNON GAUCHE	RITZEL LINKES
403	22120105/1	2	CORONA	RING GEAR	COURONNE	KRANZ
404	22600091/0	2	PROTEZIONE RUOTE	PROTECTION, WHEEL	PROTECTION ROUE	SCHÜTZ, RÄDER
405	81002811/0	1	ASSE RUOTE POSTERIORE	AXLE, REAR WHEELS	AXE ROUES ARRIERE	ACHSE, HINTERRAD
406	19216035/0	2	CUSCINETTO	BEARING	COUSSINET	LAGER
407	22753000/0	2	SPINA	PIN	GOUPILLE	STIFT
408	22680009/0	1	RONDELLA	WASHER	RONDELLE	SCHEIBE
409	22110230/0	1	TAPPO	CAP	BOUCHON	GUMMISTOPFEN
410	12154510/0	1	DADO	NUT	ECROU	MUTTER
411	22450063/0	1	MOLLA	SPRING	RESSORT	FEDER
412	22041957/0	1	BUSSOLA	BUSH	DOUILLE	BUCHSE
413	22033281/0	1	ASTA REGOLAZIONE	ADJUSTMENT ROD	TIGE REGLAGE	VERSTELLUNGSTANGE
414	81001145/0	1	CAVO COMANDO TRAZIONE	CABLE, REAR DRIVE	CÂBLE, COMMANDE TRACTI N	KABEL, ANTRIEB
415	22601904/0	1	PULEGGIA	PULLEY	POULIE	RIEMENSCHIEBE
416	12645705/0	1	SPINA	PIN	GOUPILLE	STIFT
417	35064150/0	1	CINGHIA Z 32	BELT Z 32	COURROIE Z 32	RIEMEN Z 32
418	22570110/1	1	PIGNONE DESTRO	PINION RIGHT	PIGNON DROITE	RITZEL RECHTES
419	81003070/0	1	GRUPPO TRAZIONE	GEAR BOX	GROUPE TRACTION	ANTRIEB

H 350
 K 350
 K 390
 C 350
 C 390
 NG 410 / 410 S
 NG 460
 NG 414
 NG 464
 NG 464 TR
 NG 464 TR-E
 NG 504
 NG 504 TR
 NG 504 TR-E
 R 430 / 430 S
 R 480
 R 430 TR
 R 434
 R 484
 R 534
 R 484 TR / TR-E
 R 534 TR / TR-E
 RL 430 / 430 S
 RL 480
 RL 430 TR
 RL 434
 RL 484
 RL 534
 RL 484 TR
 RL 484 TR-E
 RL 534 TR
 RL 534 TR-E
 TD 430 / 430 S
 TD 480
 TD 430 TR
 TD 434
 TD 484
 TD 534
 TD 484 TR
 TD 484 TR-E
 TD 534 TR
 TD 534 TR-E
 TDL 430 / 430 S
 TDL 480
 TDL 430 TR
 TDL 434
 TDL 484
 TDL 534
 TDL 484 TR
 TDL 484 TR-E
 TDL 534 TR
 TDL 534 TR-E
 CA 430
 CA 480
 CA 434
 CA 484
 CA 534
 CA 430 TR
 CA 434 TR
 CA 484 TR / TR-E
 CA 534 TR / TR-E
 CAL 430
 CAL 480
 CAL 434
 CAL 484
 CAL 534
 CAL 430 TR
 CAL 434 TR
 CAL 484 TR / TR-E
 CAL 534 TR / TR-E
 T 430 / 430 S
 T 480
 T 434
 T 484
 T 484 TR
 T 484 TR-E
 PAN 504
 PAN 504 TR
 PAN 504 TR-E
 PAN 504 TR-E 3S
 PAN 504 TR 3S
 NP 534
 NP 534 TR
 NP 534 TR-E
 NP 534 TR 3S
 NP 534 TR-E 3S
 S 474 L

1

2

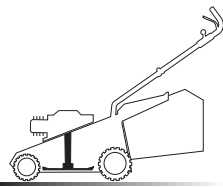
3

4

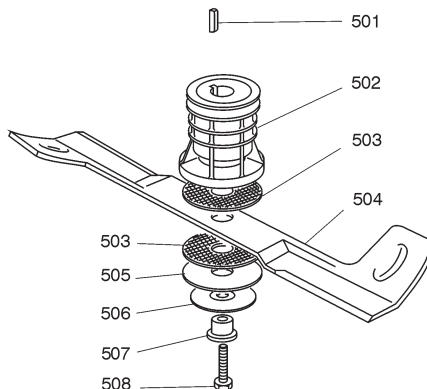
5

6

5



05D.005



05T.016

Pos	Code	Q.ty	Descrizione	Description	Description	Beshreibung	
501	12139100/0	1	LINGUETTA	FEATHER	CLAVETTE	KEIL	
502	22465611/0	1	MOZZO	HUB	MOYEU	HALTER	
503	22672110/1	2	RONDELLA FRIZIONE	CLUTCH WASHER	RONDELLE FRICTION	KUPPLUNGSCHEIBE	
504	81004395/1	1	COLTELLO ALETTATO	BLADE WINGED	LAME AILETTÉE	MESSER FLÜGEL	48 cm
505	12508120/0	1	MOLLA A TAZZA	CUPPED SPRING	RESSORT	TELLER FEDER	
506	22672105/0	1	RONDELLA	WASHER	RONDELLE	SCHIBE	
507	22041940/0	1	BUSSOLA FRIZIONE	CLUTCH BUSH	DOUILLE FRICTION	KUPPLUNGSSCHIBE	
508	12736850/0	1	VITE	SCREW	VIS	SCHRAUBE	

- H 350
- K 350
- K 390
- C 350
- C 390
- NG 410 / 410 S
- NG 460
- NG 414
- NG 464
- NG 464 TR
- NG 464 TR-E
- NG 504
- NG 504 TR
- NG 504 TR-E
- R 430 / 430 S
- R 480
- R 430 TR
- R 434
- R 484
- R 534
- R 484 TR / TR-E
- R 534 TR / TR-E
- RL 430 / 430 S
- RL 480
- RL 430 TR
- RL 434
- RL 484
- RL 534
- RL 484 TR
- RL 484 TR-E
- RL 534 TR
- RL 534 TR-E
- TD 430 / 430 S
- TD 480
- TD 430 TR
- TD 434
- TD 484
- TD 534
- TD 484 TR
- TD 484 TR-E
- TD 534 TR
- TD 534 TR-E
- TDL 430 / 430 S
- TDL 480
- TDL 430 TR
- TDL 434
- TDL 484
- TDL 534
- TDL 484 TR
- TDL 484 TR-E
- TDL 534 TR
- TDL 534 TR-E
- CA 430
- CA 480
- CA 434
- CA 484
- CA 534
- CA 430 TR
- CA 434 TR
- CA 484 TR / TR-E
- CA 534 TR / TR-E
- CAL 430
- CAL 480
- CAL 434
- CAL 484
- CAL 534
- CAL 430 TR
- CAL 434 TR
- CAL 484 TR / TR-E
- CAL 534 TR / TR-E
- T 430 / 430 S
- T 480
- T 434
- T 484
- T 484 TR
- T 484 TR-E
- PAN 504
- PAN 504 TR
- PAN 504 TR-E
- PAN 504 TR-E 3S
- PAN 504 TR 3S
- NP 534
- NP 534 TR
- NP 534 TR-E
- NP 534 TR 3S
- NP 534 TR-E 3S
- S 474 L

1

2

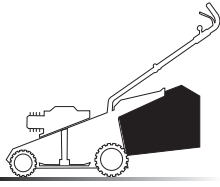
3

4

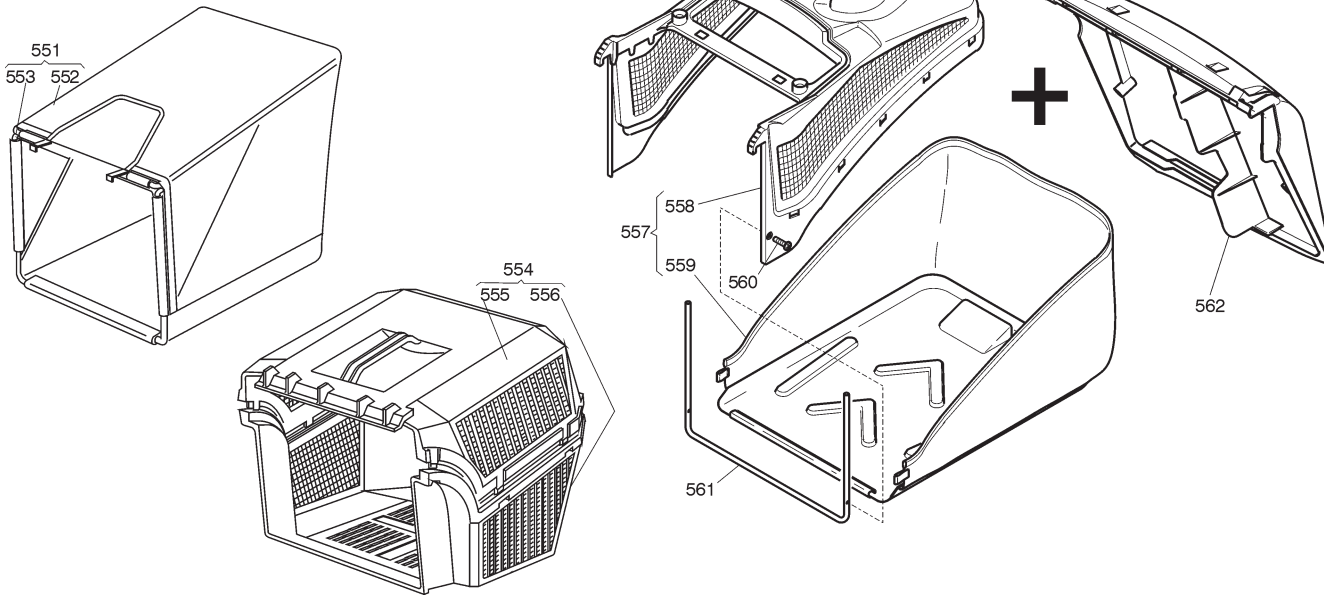
5

6

6



06D.004



06T.004

Pos	Code	Q.ty	Descrizione	Description	Description	Beschreibung
551	96400000/0	1	SACCO IN TELA, COMPLETO	GRASSCATCHER, CANVASS COMPLETE	SAC EN TOILE, COMPLETE	SACK, KOMPLETTE
552	81002124/ 1	1	SACCO, TELA	BOX, FABRIC	SAC, TOILE	SACK, TUCK
553	81006430/0	1	TELAIO SACCO	CHASSIS BOX	CHÂSSIS BAC	RAHMEN SACK
554	96500000/0	1	SACCO, COMPLETO	GRASSCATCHER, COMPLETE	SAC, COMPLETE	SACK, KOMPLETTE
555	22486065/0	1	SACCO, PARTE SUPERIORE	GRASS-BOX, UPPER PART	SAC, PARTIE SUPERIEURE	KORB, OBERTEIL
556	22486064/0	1	SACCO, PARTE INFERIORE	GRASS-BOX, LOWER PART	SAC, PARTIE INFERIEURE	KORB, UNTERTEIL
557	92140000/0	1	SACCO COMPLETO	GRASS-BOX, COMPLETE	BAC COMPLET	KORB, KOMPLETTE
558	22486090/0	1	SACCO, PARTE SUPERIORE	GRASS-BOX, UPPER PART	SAC, PARTIE SUPERIEURE	KORB, OBERTEIL
559	22608524/0	1	RINFORZO INFERIORE	STIFFENING LOWER	RÉNFORCEMENT INFÉRIEUR	VERSTÄRKUNG UNTERE
560	12728445/0	1	VITE	SCREW	VIS	SCHRAUBE
561	81002185/0	1	SACCO, TELA	BOX, FABRIC	SAC, TOILE	SACK, TUCK
562	22600066/0	1	PARASASSI	STONE GUARD	PARE PIERRES	PRALLBLECH

- H 350
- K 350
- K 390
- C 350
- C 390
- NG 410 / 410 S
- NG 460
- NG 414
- NG 464
- NG 464 TR
- NG 464 TR-E
- NG 504
- NG 504 TR
- NG 504 TR-E
- R 430 / 430 S
- R 480
- R 430 TR
- R 434
- R 484
- R 534
- R 484 TR / TR-E
- R 534 TR / TR-E
- RL 430 / 430 S
- RL 480
- RL 430 TR
- RL 434
- RL 484
- RL 534
- RL 484 TR
- RL 484 TR-E
- RL 534 TR
- RL 534 TR-E
- TD 430 / 430 S
- TD 480
- TD 430 TR
- TD 434
- TD 484
- TD 534
- TD 484 TR
- TD 484 TR-E
- TD 534 TR
- TD 534 TR-E
- TDL 430 / 430 S
- TDL 480
- TDL 430 TR
- TDL 434
- TDL 484
- TDL 534
- TDL 484 TR
- TDL 484 TR-E
- TDL 534 TR
- TDL 534 TR-E
- CA 430
- CA 480
- CA 434
- CA 484
- CA 534
- CA 430 TR
- CA 434 TR
- CA 484 TR / TR-E
- CA 534 TR / TR-E
- CAL 430
- CAL 480
- CAL 434
- CAL 484
- CAL 534
- CAL 430 TR
- CAL 434 TR
- CAL 484 TR / TR-E
- CAL 534 TR / TR-E
- T 430 / 430 S
- T 480
- T 434
- T 484
- T 484 TR
- T 484 TR-E
- PAN 504
- PAN 504 TR
- PAN 504 TR-E
- PAN 504 TR-E 3S
- PAN 504 TR 3S
- NP 534
- NP 534 TR
- NP 534 TR-E
- NP 534 TR 3S
- NP 534 TR-E 3S
- S 474 L

1

2

3

4

5

6