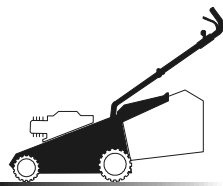
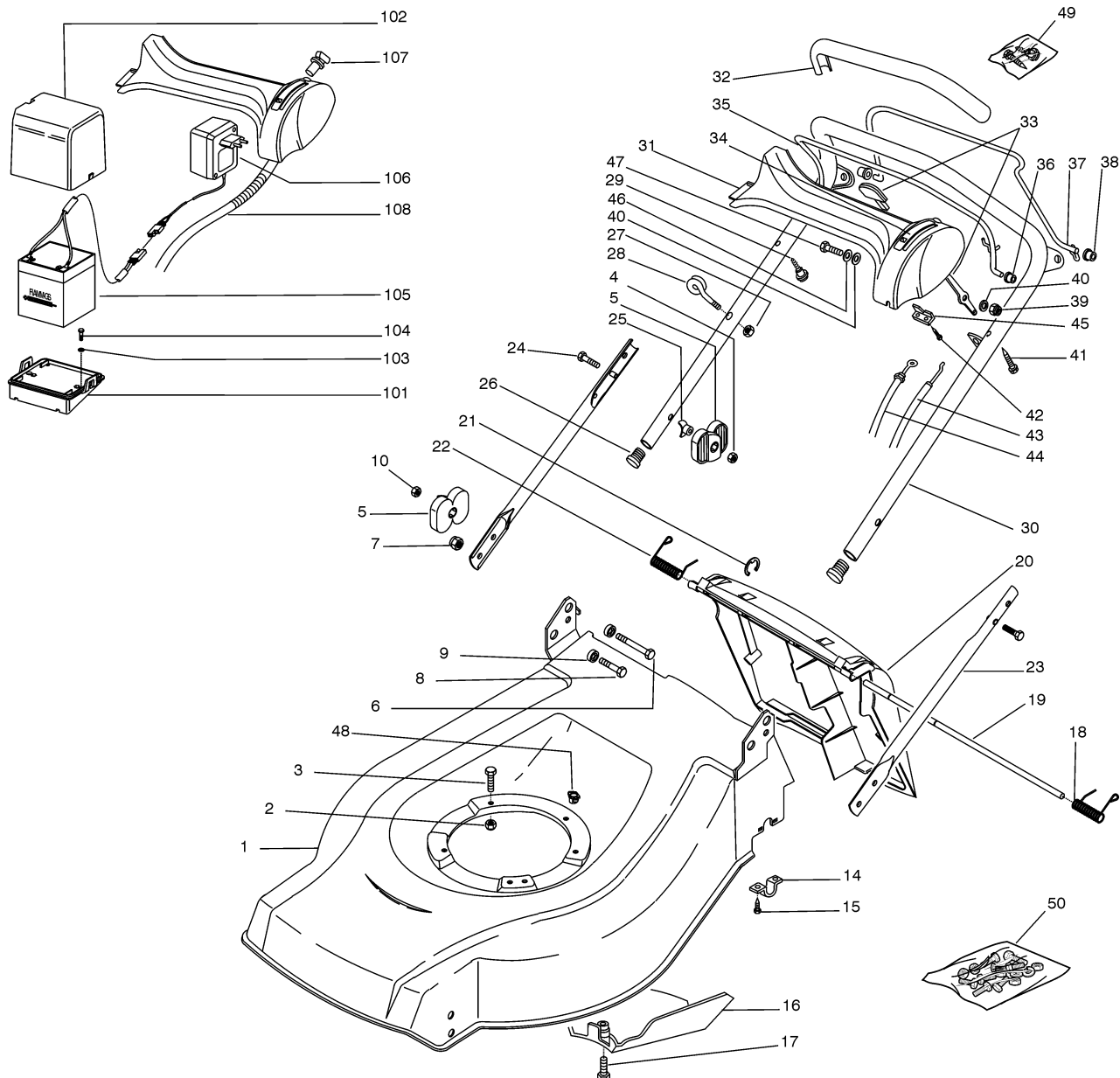
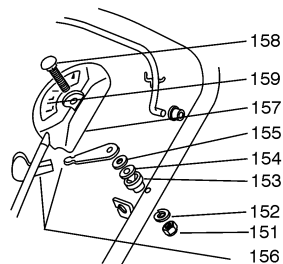




1



01D\_CA484TR\_TRE-ROLL



01T.058

| Pos. | Code       | Q.ty | Descrizione   | Description | Description   | Beschreibung | Remarks |
|------|------------|------|---------------|-------------|---------------|--------------|---------|
| 1    | 81002564/0 | 1    | CHASSIS ROSSO | DECK RED    | CHÂSSIS ROUGE | GEHÄUSE ROT  |         |
| 2    | 12155000/0 | 0/1  | DADO          | NUT         | ECROU         | MUTTER       |         |
| -    | 12293201/0 | 3/2  | DADO          | NUT         | ECROU         | MUTTER       |         |
| 3    | 12691800/0 | 0/1  | VITE          | SCREW       | VIS           | SCHRAUBE     |         |
| -    | 12793701/0 | 3/2  | VITE          | SCREW       | VIS           | SCHRAUBE     |         |
| 4    | 12293202/0 | 4    | DADO          | NUT         | ECROU         | MUTTER       |         |
| 5    | 22399803/0 | 4    | MANOPOLINA    | KNOB        | POIGNÉE       | GRIFF        |         |
| 6    | 12793700/0 | 2    | VITE          | SCREW       | VIS           | SCHRAUBE     |         |
| 7    | 12155000/0 | 2    | DADO          | NUT         | ECROU         | MUTTER       |         |



01T.058

| Pos. | Code       | Q.ty | Descrizione                 | Description               | Description                  | Beshreibung             | Remarks                    |
|------|------------|------|-----------------------------|---------------------------|------------------------------|-------------------------|----------------------------|
| 8    | 12792610/0 | 2    | VITE                        | SCREW                     | VIS                          | SCHRAUBE                |                            |
| 9    | 22041955/0 | 4    | BUSSOLA                     | BUSH                      | DOUILLE                      | BUCHSE                  |                            |
| 10   | 12293200/0 | 2    | DADO                        | NUT                       | ECROU                        | MUTTER                  |                            |
| 14   | 22545154/0 | 2    | PIASTRINA                   | PLATE                     | PLAQUETTE                    | PLATTE                  |                            |
| 15   | 12737350/0 | 4    | VITE                        | SCREW                     | VIS                          | SCHRAUBE                |                            |
| 16   | 22060195/0 | 1    | CARTER CINGHIA              | PROTECTION, BELT          | PROTECTION COURROIRE         | SCHUTZ, RIEMEN          |                            |
| 17   | 12728530/0 | 1    | VITE                        | SCREW                     | VIS                          | SCHRAUBE                |                            |
| 18   | 22450420/1 | 1    | MOLLA SX                    | L SPRING                  | RESSORT G                    | LINKE FEDER             |                            |
| 19   | 22517906/1 | 1    | PERNO                       | PIN                       | PIVOT                        | BOLZEN                  |                            |
| 20   | 22600063/1 | 1    | PARASASSI                   | STONE-GUARD               | PARE-PIERRES                 | PRALLBLECH              |                            |
| 21   | 12000930/0 | 1    | ANELLO ELASTICO             | SNAP RING                 | ANNEAU RESSORT               | SPRENGRING              |                            |
| 22   | 22450410/1 | 1    | MOLLA DX                    | R SPRING                  | RESSORT D                    | RECHTE FEDER            |                            |
| 23   | 81006973/0 | 2    | MANICO, PARTE INF           | HANDLE, LOWER PART        | MANCHERON, PARTIE INFERIEURE | HOLM, UNTERTEIL         |                            |
| 24   | 12819125/0 | 2    | VITE                        | SCREW                     | VIS                          | SCHRAUBE                |                            |
| 25   | 22680006/1 | 2    | ROSETTA                     | WASHER                    | RONDELLE                     | SCHEIBE                 |                            |
| 26   | 18566112/0 | 2    | PUNTALE                     | CAP                       | BOUCHON                      | GUMMISTOPFEN            |                            |
| 27   | 12154330/0 | 1    | DADO                        | NUT                       | ECROU                        | MUTTER                  |                            |
| 28   | 22430309/0 | 1    | MOLLA GUIDA                 | GUIDE SPRING              | RESSORT DE GUIDE             | FEDER FÜHRER            |                            |
| 29   | 22943006/0 | 1    | VITE                        | SCREW                     | VIS                          | SCHRAUBE                |                            |
| 30   | 81006981/0 | 1    | MANICO, PARTE SUP           | HANDLE, UPPER PART        | MANCHERON, PARTIE SUPERIEURE | HOLM, OBERTEIL          |                            |
| 31   | 22120172/0 | 1    | CRUSCOTTO NERO              | DASH BOARD BLACK          | CONSOLE NOIRE                | KONSOLE SCHWARZE        |                            |
| -    | 22120173/0 | 1    | CRUSCOTTO ROSSO             | DASH BOARD RED            | CONSOLE ROUGE                | KONSOLE ROTE            |                            |
| -    | 22120174/0 | 1    | CRUSCOTTO GIALLO            | DASH BOARD YELLOW         | CONSOLE JAUNE                | KONSOLE GELBE           |                            |
| 32   | 22291050/0 | 1    | IMPUGNATURA MANICO NERA     | HANDGRIP BLACK            | POIGNÉE NOIRE                | HANDGRIFF SCHWARZER     |                            |
| -    | 22291051/0 | 1    | IMPUGNATURA MANICO ROSSA    | HANDGRIP RED              | POIGNÉE ROUGE                | HANDGRIFF RÖTER         |                            |
| -    | 22291052/0 | 1    | IMPUGNATURA MANICO GIALLA   | HANDGRIP YELLOW           | POIGNÉE JAUNE                | HANDGRIFF GELBER        |                            |
| 33   | 81007280/2 | 1    | LEVA, ACCELERATORE          | LEVER, THROTTLE           | LEVIER, ACCELERATEUR         | HEBEL, BESHLEUNIGER     |                            |
| 34   | 14356743/0 | 1    | ETICHETTA                   | LABEL                     | ETIQUETTE                    | ETIKETTE                |                            |
| -    | 14356744/0 | 1    | ETICHETTA                   | LABEL                     | ETIQUETTE                    | ETIKETTE                |                            |
| -    | 14357646/0 | 1    | ETICHETTA                   | LABEL                     | ETIQUETTE                    | ETIKETTE                |                            |
| 35   | 81003291/2 | 1    | LEVA FRENO MOTORE           | LEVER, MOTOR BRAKE        | LEVIER FREIN MOTEUR          | HEBEL, MOTORBREMSE      |                            |
| 36   | 22041966/0 | 2    | BUSSOLA                     | BUSH                      | DOUILLE                      | BUCHSE                  |                            |
| 37   | 81003288/1 | 1    | LEVA TRAZIONE               | LEVER, DRIVING            | LEVIER TRACTION              | HEBEL, ANTRIEB          |                            |
| 38   | 22041965/0 | 2    | BUSSOLA                     | BUSH                      | DOUILLE                      | BUCHSE                  |                            |
| 39   | 12154510/0 | 1    | DADO                        | NUT                       | ECROU                        | MUTTER                  |                            |
| 40   | 12523040/0 | 2    | ROSETTA                     | WASHER                    | RONDELLE                     | SCHEIBE                 |                            |
| 41   | 12728518/0 | 1    | VITE                        | SCREW                     | VIS                          | SCHRAUBE                |                            |
| 42   | 12728460/0 | 1    | VITE                        | SCREW                     | VIS                          | SCHRAUBE                |                            |
| 43   | 81007160/0 | 1    | CAVO ACCELERATORE           | CABLE, TROTTLE            | CABLE, ACCELERATEUR          | KABLE, BESCHLEUNIGER    |                            |
| 44   | 81000625/0 | 1    | CAVO FRENO MOTORE           | CABLE, THREAD MOTOR BRAKE | CABLE FREIN MOTEUR           | KABEL, MOTORBREMSE      | (B&S CLASSIC/SPRINT/LS/LC) |
| -    | 81000631/0 | 1    | CAVO FRENO MOTORE           | CABLE, THREAD MOTOR BRAKE | CABLE FREIN MOTEUR           | KABEL, MOTORBREMSE      | (B&S QUANTUM)              |
| -    | 81000641/0 | 1    | CAVO FRENO MOTORE           | CABLE, THREAD MOTOR BRAKE | CABLE FREIN MOTEUR           | KABEL, MOTORBREMSE      | (HONDA GCV 135/160)        |
| -    | 81000629/1 | 1    | CAVO FRENO MOTORE           | CABLE, THREAD MOTOR BRAKE | CABLE FREIN MOTEUR           | KABEL, MOTORBREMSE      | (TECUMSEH)                 |
| 45   | 22981467/0 | 1    | PIASTRINA                   | PLATE                     | PLAQUETTE                    | PLATTE                  |                            |
| 46   | 12530060/0 | 1    | ROSETTA ELASTICA            | ELASTIC WASHER            | RONDELLE ELASTIQUE           | ELASTISCHE SCHEIBE      |                            |
| 47   | 12791500/0 | 1    | VITE                        | SCREW                     | VIS                          | SCHRAUBE                |                            |
| 48   | 22291150/0 | 1    | INSERTO IN GOMMA            | RUBBER INSERT             | INSERT DE GAOUTCHOU          | GUMMI EINSATZ           |                            |
| 49   | 81008609/0 | 1    | DOTAZIONE VITERIA CRUSCOTTO | OUTFIT, DASH-BOARD SCREWS | DOTATION VISSERIE CONSOLLE   | SATZ, KONSOLE SCHRAUBEN |                            |
| 50   | 81008640/0 | 1    | DOTAZIONE VITERIA           | OUTFIT, SCREWS            | DOTATION VISSERIE            | SATZ, SCHRAUBEN         |                            |



VARIANTI PER AVVIAMENTO ELETTRICO - PARTS FOR ELECTIC START - COMPOSANTS POUR DÉMARRAGE ÉLECTRIQUE - ELEKTROSTART BESTANDTEILE

01T.008

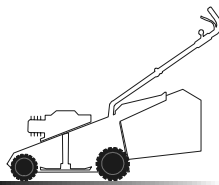
| Pos. | Code       | Q.ty | Descrizione       | Description      | Description          | Beshreibung      | Remarks                  |
|------|------------|------|-------------------|------------------|----------------------|------------------|--------------------------|
| 101  | 22785123/0 | 1    | SUPPORTO BATTERIA | SUPPORT, BATTERY | SUPPORT BATTERIE     | HALTER, BATTERIE | (B&S - TECUMSEH CENTURA) |
| -    | 22785122/0 | 1    | SUPPORTO BATTERIA | SUPPORT, BATTERY | SUPPORT BATTERIE     | HALTER, BATTERIE | (TECUMSEH PRISMA)        |
| 102  | 22109530/0 | 1    | COPERCHIO         | COVER            | COUVERCLE            | DECKEL           |                          |
| 103  | 12521310/0 | 2    | ROSETTA           | WASHER           | RONDELLE             | SCHEIBE          | (B&S - TECUMSEH CENTURA) |
| 104  | 12731590/0 | 2    | VITE              | SCREW            | VIS                  | SCHRAUBE         | (B&S - TECUMSEH CENTURA) |
| -    | 12728520/0 | 2    | VITE              | SCREW            | VIS                  | SCHRAUBE         | (TECUMSEH PRISMA)        |
| 105  | 18120052/0 | 1    | BATTERIA          | BATTERY          | BATTERIE             | BATTERIE         |                          |
| 106  | 18204120/0 | 1    | CARICA BATTERIA   | BATTERY CHARGER  | CHARGEUR DE BATTERIE | LADGERÄT         |                          |
| 107  | 18450050/0 | 1    | INTERRUTTORE      | SWITCH           | INTERRUPTEUR         | SCHALTER         |                          |
| 108  | 18204192/2 | 1    | CAVO AVVIAMENTO   | CABLE, START     | CABLE DÉMARRAGE      | KABEL, START     | (B&S)                    |
| -    | 18204190/3 | 1    | CAVO AVVIAMENTO   | CABLE, START     | CABLE DÉMARRAGE      | KABEL, START     | (TECUMSEH)               |

VARIANTE ACCELERATORE - THROTTLE MODIFICATION - MODIFICATION COMMANDE D'ACCELERATION - ÄNDERUNGEN AUF GASHEBEL

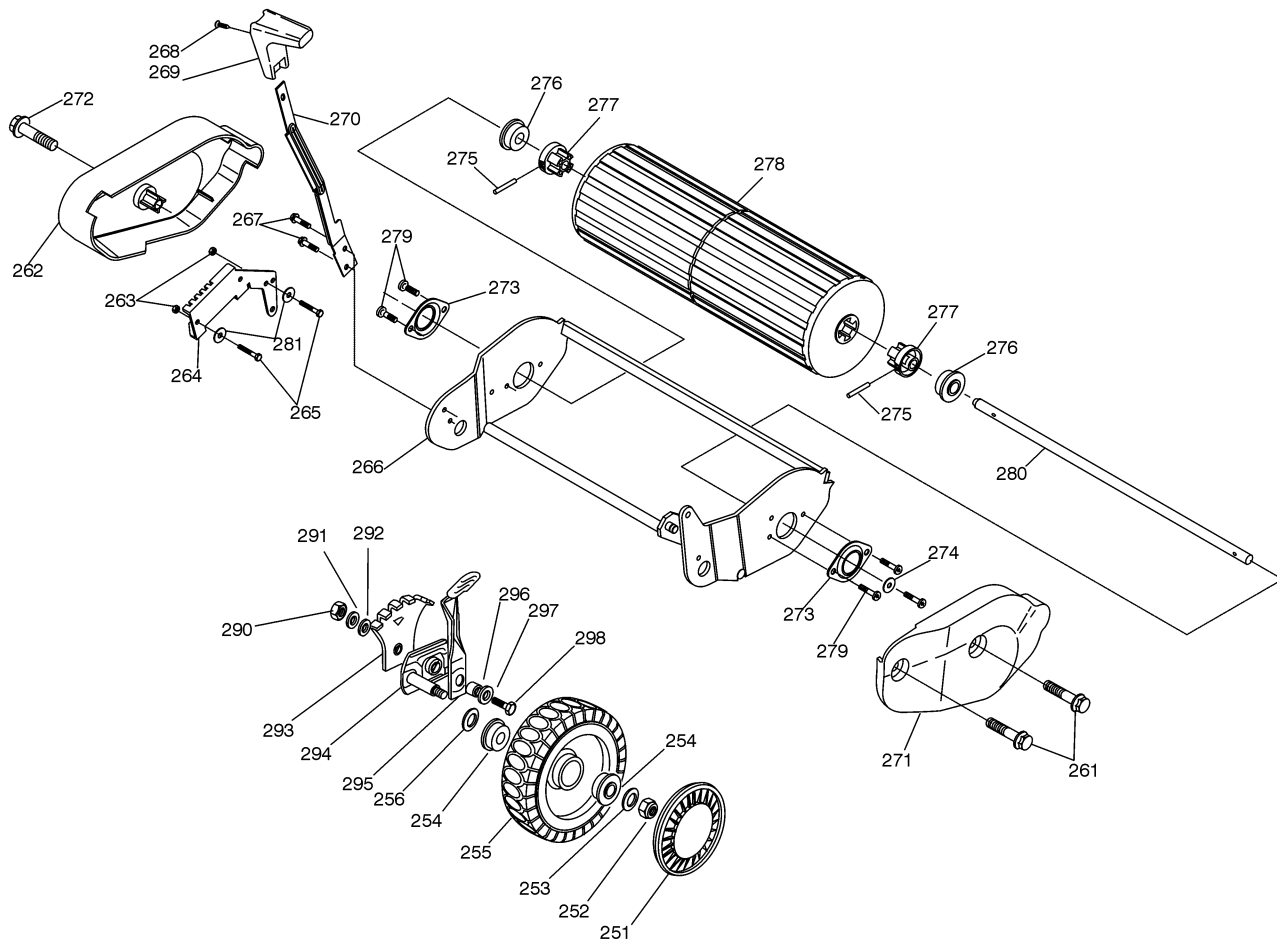
01T.005

| Pos. | Code       | Q.ty | Descrizione        | Description     | Description          | Beshreibung          | Remarks    |
|------|------------|------|--------------------|-----------------|----------------------|----------------------|------------|
| 151  | 12291000/0 | 1    | DADO               | NUT             | ECROU                | MUTTER               |            |
| 152  | 12581500/0 | 1    | GROWER             | GROWER          | GROWER               | FEDERRING            |            |
| 153  | 22171005/0 | 1    | DISTANZIALE        | SPACER          | ENTRETOISE           | DISTANZRING          |            |
| 154  | 12521360/0 | 1    | ROSETTA            | WASHER          | RONDELLE             | SCHEIBE              |            |
| 155  | 12508100/0 | 1    | ROSETTA ELASTICA   | SPRING WASHER   | RONDELLE ELASTIQUE   | ELASTISCHE SCHEIBE   |            |
| 156  | 81007279/0 | 1    | LEVA, ACCELERATORE | LEVER, THROTTLE | LEVIER, ACCELERATEUR | HEBEL, BESHLEUNIGER  |            |
| 157  | 81007080/0 | 1    | CAVO ACCELERATORE  | CABLE, TROTTLE  | CABLE, ACCELERATEUR  | KABLE, BESCHLEUNIGER |            |
| 158  | 12815000/0 | 1    | VITE               | SCREW           | VIS                  | SCHRAUBE             |            |
| 159  | 14356703/0 | 1    | ETICHETTA          | LABEL           | ETIQUETTE            | ETIKETTE             | (B&S)      |
| -    | 14356702/0 | 1    | ETICHETTA          | LABEL           | ETIQUETTE            | ETIKETTE             | (HONDA)    |
| -    | 14356905/0 | 1    | ETICHETTA          | LABEL           | ETIQUETTE            | ETIKETTE             | (TECUMSEH) |

2



02D\_034



02T\_034

| Pos. | Code       | Q.ty | Descrizione                 | Description               | Description             | Beshreibung             | Remarks |
|------|------------|------|-----------------------------|---------------------------|-------------------------|-------------------------|---------|
| 251  | 22110282/0 | 2    | COPRIMOZZO BIANCO           | HUB CAP WHITE             | COUVRE-MOYEU BLANC      | RADKAPPE WEIßE          |         |
| -    | 22110288/0 | 2    | COPRIMOZZO GIALLO           | HUB CAP YELLOW            | COUVRE-MOYEU JAUNE      | RADKAPPE GELBE          |         |
| -    | 22110290/0 | 2    | COPRIMOZZO ROSSO            | HUB CAP RED               | COUVRE-MOYEU ROUGE      | RADKAPPE ROTE           |         |
| -    | 22110300/0 | 2    | COPRIMOZZO GRIGIO           | HUB CAP GREY              | COUVRE-MOYEU GRIS       | RADKAPPE GRAU           |         |
| 252  | 12155000/0 | 2    | DADO                        | NUT                       | ECROU                   | MUTTER                  |         |
| 253  | 12521350/0 | 2    | ROSETTA                     | WASHER                    | RONDELLE                | SCHEIBE                 |         |
| 254  | 22122200/0 | 4    | CUSCINETTO                  | BEARING                   | COUSSINET               | LAGER                   |         |
| 255  | 81007336/0 | 2    | RUOTA SCOLPITA Ø 170        | WHEEL, KNOBBLY Ø 170      | ROUE SCULPTEE Ø 170     | RAD M. STOLLENPR. Ø 170 |         |
| 256  | 12530150/0 | 2    | ROSETTA ELASTICA            | ELASTIC WASHER            | RONDELLE ELASTIQUE      | ELASTISCHE SCHEIBE      |         |
| 260  | 22171002/0 | 1    | DISTANZIALE                 | SPACER                    | ENTRETOISE              | DISTANZRING             |         |
| 261  | 12735592/0 | 2    | VITE                        | SCREW                     | VIS                     | SCHRAUBE                |         |
| 262  | 22060210/0 | 1    | PROTEZIONE DX               | R PROTECTION              | PROTECTION D            | RECHTE SCHUTZ           |         |
| 263  | 12154330/0 | 2    | DADO                        | NUT                       | ECROU                   | MUTTER                  |         |
| 264  | 22735551/0 | 1    | SETTORE REGOLAZIONE ALTEZZA | SECTOR, HEIGHT ADJUSTMENT | SECTEUR REGLAGE HAUTEUR | SEKTOR, HÖHEVERSTELLUNG |         |
| 265  | 12789000/0 | 2    | VITE                        | SCREW                     | VIS                     | SCHRAUBE                |         |
| 266  | 81005109/0 | 1    | SUPPORTO ROLLER             | ROLLER SUPPORT            | SUPPORT ROLLER          | ROLLRHILTER             |         |
| 267  | 12735121/0 | 2    | VITE                        | SCREW                     | VIS                     | SCHRAUBE                |         |
| 268  | 12728680/0 | 1    | VITE                        | SCREW                     | VIS                     | SCHRAUBE                |         |
| 269  | 22399805/0 | 1    | MANOPOLINA                  | KNOB                      | POIGNÉE                 | GRIFF                   |         |
| 270  | 22321505/0 | 1    | LEVA REGOLAZIONE ALTEZZA    | LEVER, HEIGHT ADJUSTMENT  | LEVIER, REGLAGE HAUTEUR | HEBEL, HÖHEVERSTELLUNG  |         |



100

# CA 484 TR/TR-E ROLLER

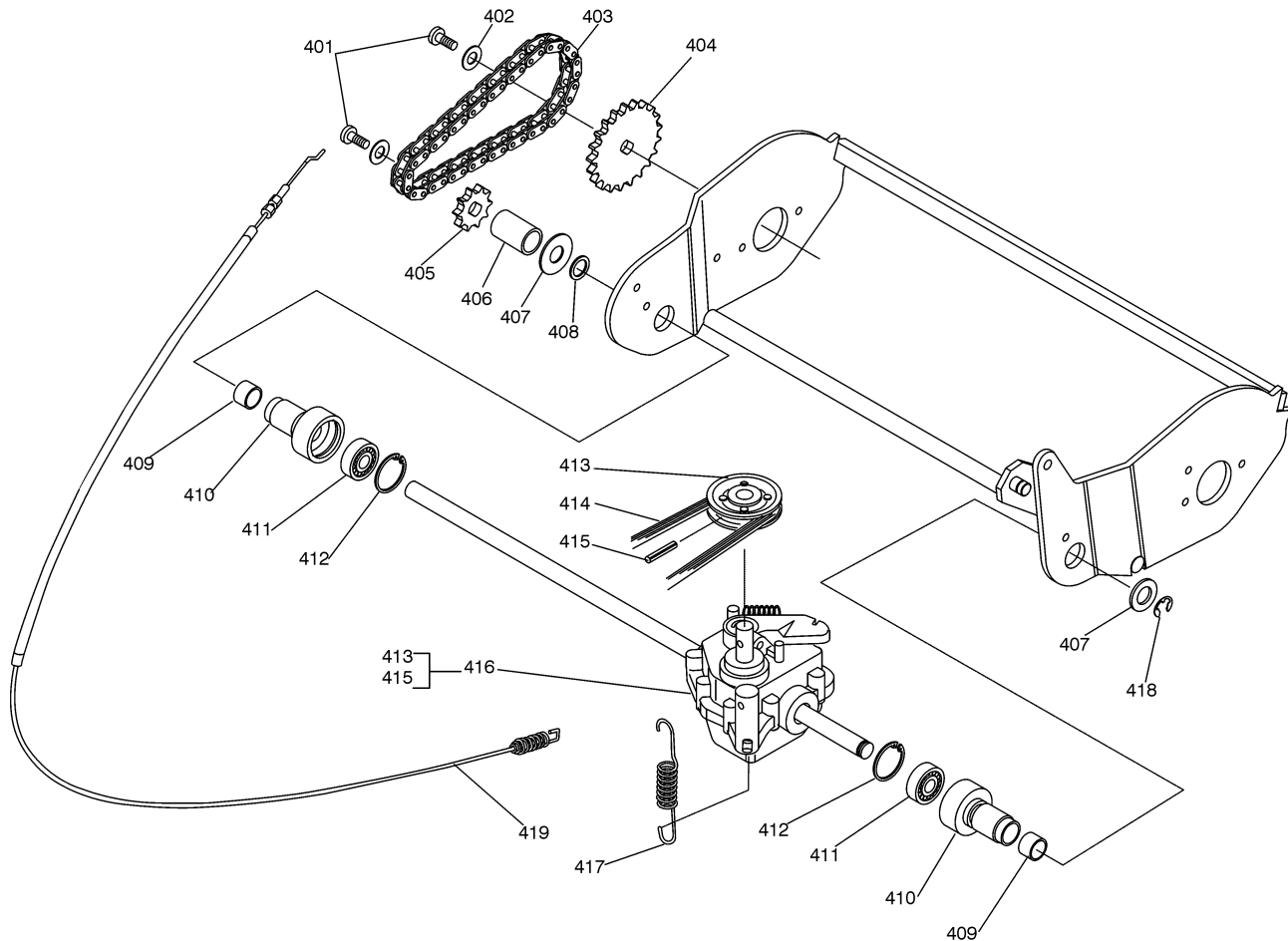
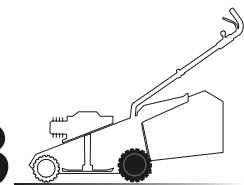
## GLOBAL GARDEN PRODUCTS

02T.034

| Pos. | Code       | Q.ty | Descrizione                 | Description               | Description             | Beshreibung             | Remarks |
|------|------------|------|-----------------------------|---------------------------|-------------------------|-------------------------|---------|
| 271  | 22060211/0 | 1    | PROTEZIONE SX               | L PROTECTION              | PROTECTION G            | LINKE SCHUTZ            |         |
| 272  | 12735594/0 | 1    | VITE                        | SCREW                     | VIS                     | SCHRAUBE                |         |
| 273  | 22207325/0 | 2    | FLANGIA                     | SUPPORT                   | SUPPORT                 | HALTER                  |         |
| 274  | 22671650/0 | 1    | ROSETTA                     | WASHER                    | RONDELLE                | SCHEIBE                 |         |
| 275  | 12620210/0 | 2    | SPINA ELASTICA              | PIN                       | GOUPILLE                | STIFT                   |         |
| 276  | 19216036/0 | 2    | CUSCINETTO                  | BEARING                   | COUSSINET               | LAGER                   |         |
| 277  | 22855000/0 | 2    | TRASCINATORE                | TRACTOR ROLLER            | ENTRAINEUR, ROLLER      | SCHLEPPER               |         |
| 278  | 81007401/0 | 1    | ROLLER                      | ROLLER                    | ROLLER                  | ROLLER                  |         |
| 279  | 12735593/0 | 5    | VITE                        | SCREW                     | VIS                     | SCHRAUBE                |         |
| 280  | 22033361/0 | 1    | ASSE ROLLER                 | AXLE, ROLLER              | AXE ROLLER              | ACHSE, ROLLER           |         |
| 281  | 12521331/0 | 2    | ROSETTA                     | WASHER                    | RONDELLE                | SCHEIBE                 |         |
| 290  | 12293200/0 | 2    | DADO                        | NUT                       | ECROU                   | MUTTER                  |         |
| 291  | 12583500/0 | 2    | GROWER                      | GROWER                    | GROWER                  | FEDERRING               |         |
| 292  | 12523070/0 | 2    | ROSETTA                     | WASHER                    | RONDELLE                | SCHEIBE                 |         |
| 293  | 22735547/0 | 2    | SETTORE REGOLAZIONE ALTEZZA | SECTOR, HEIGHT ADJUSTMENT | SECTEUR REGLAGE HAUTEUR | SEKTOR, HÖHEVERSTELLUNG |         |
| 294  | 81005082/0 | 2    | SUPPORTO RUOTA              | SUPPORT, WHEEL            | SUPPORT ROUE            | HALTER, RAD             |         |
| 295  | 81003285/1 | 2    | LEVA REGOLAZIONE ALTEZZA    | LEVER, HEIGHT ADJUSTMENT  | LEVIER, REGLAGE HAUTEUR | HEBEL, HÖHEVERSTELLUNG  |         |
| 296  | 22171001/0 | 2    | DISTANZIALE                 | SPACER                    | ENTRETOISE              | DISTANZRING             |         |
| 297  | 12521350/0 | 2    | ROSETTA                     | WASHER                    | RONDELLE                | SCHEIBE                 |         |
| 298  | 12793701/0 | 2    | VITE                        | SCREW                     | VIS                     | SCHRAUBE                |         |

**3**

03D\_014

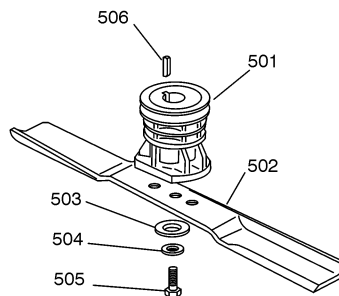
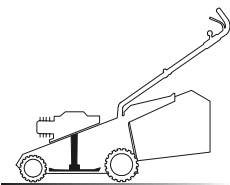


03T\_014

| Pos. | Code       | Q.ty | Descrizione           | Description       | Description              | Beschreibung   | Remarks             |
|------|------------|------|-----------------------|-------------------|--------------------------|----------------|---------------------|
| 401  | 12735593/0 | 2    | VITE                  | SCREW             | VIS                      | SCHRAUBE       |                     |
| 402  | 12523040/0 | 2    | ROSETTA               | WASHER            | RONDELLE                 | SCHEIBE        |                     |
| 403  | 15189003/0 | 1    | CATENA                | CHAIN             | CHAINE                   | KETTE          |                     |
| 404  | 22120106/0 | 1    | CORONA                | RING GEAR         | COURONNE                 | KRANZ          |                     |
| 405  | 22120107/0 | 1    | CORONA                | RING GEAR         | COURONNE                 | KRANZ          |                     |
| 406  | 22170970/0 | 1    | DISTANZIALE           | SPACER            | ENTRETOISE               | DISTANZRING    |                     |
| 407  | 22672151/0 | 2    | ROSETTA               | WASHER            | RONDELLE                 | SCHEIBE        |                     |
| 408  | 21660100/0 | 2    | RALLA                 | WASHER            | RONDELLE                 | SCHEIBE        |                     |
| 409  | 22038404/0 | 2    | BRONZINA              | BRASS             | COUSSINET                | BUCHSE         |                     |
| 410  | 22785126/0 | 2    | SUPPORTO              | SUPPORT           | SUPPORT                  | HALTER         |                     |
| 411  | 19216035/0 | 2    | CUSCINETTO            | BEARING           | COUSSINET                | LAGER          |                     |
| 412  | 12610095/0 | 2    | ANELLO DI ARRESTO     | SEEGER            | SEEGER                   | SEEGER         |                     |
| 413  | 22601904/0 | 1    | PULEGGIA              | PULLEY            | POULIE                   | RIEMENSCHIEBE  |                     |
| 414  | 35063800/0 | 1    | CINGHIA Z 27          | BELT Z 27         | COURROIE Z 27            | RIEMEN Z 27    |                     |
| 415  | 12645705/0 | 1    | SPINA                 | PIN               | GOUPILLE                 | STIFT          |                     |
| 416  | 81003077/0 | 1    | GRUPPO TRAZIONE       | GEAR BOX          | GRUPPE TRACTION          | ANTRIEB        | (FRANCE REDUCTEURS) |
| 417  | 25430220/0 | 1    | MOLLA                 | SPRING            | RESSORT                  | FEDER          |                     |
| 418  | 22450063/0 | 1    | MOLLA                 | SPRING            | RESSORT                  | FEDER          |                     |
| 419  | 81000668/0 | 1    | CAVO COMANDO TRAZIONE | CABLE, REAR DRIVE | CABLE, COMMANDE TRACTION | KABEL, ANTRIEB | (FRANCE REDUCTEURS) |

5

05D\_003

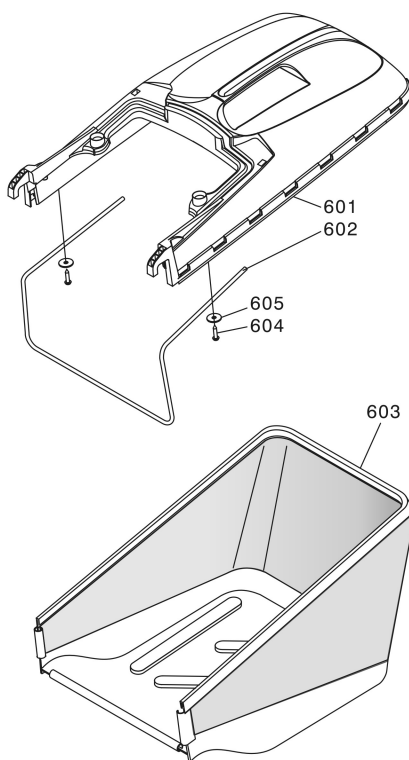
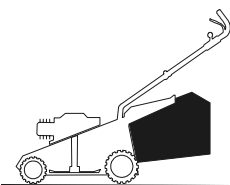


05T\_028

| Pos. | Code       | Q.ty | Descrizione        | Description     | Description        | Beschreibung       | Remarks |
|------|------------|------|--------------------|-----------------|--------------------|--------------------|---------|
| 501  | 22465607/0 | 1    | MOZZO CON PULEGGIA | HUB WITH PULLEY | MOYEU AVEC POULIE  | NABE MIT SCHEIBE   |         |
| 502  | 81004346/3 | 1    | COLTELLO STANDARD  | BLADE STANDARD  | LAME STANDARD      | MESSER STANDARD    |         |
| 503  | 22160400/0 | 1    | DISCO ELASTICO     | ELASTIC WASHER  | RONDELLE ELASTIQUE | ELASTISCHE SCHEIBE |         |
| 504  | 12523080/0 | 1    | ROSETTA            | WASHER          | RONDELLE           | SCHEIBE            |         |
| 505  | 12735698/0 | 1    | VITE               | SCREW           | VIS                | SCHRAUBE           |         |
| 506  | 12139100/0 | 1    | LINGUETTA          | FEATHER         | CLAVETTE           | KEIL               |         |

6

06D\_012



06T\_012

| Pos. | Code       | Q.ty | Descrizione      | Description           | Description            | Beschreibung       | Remarks |
|------|------------|------|------------------|-----------------------|------------------------|--------------------|---------|
| 601  | 22486104/1 | 1    | SACCO, PARTE SUP | GRASS-BOX, UPPER PART | SAC, PARTIE SUPERIEURE | KORB, OBERTEIL     |         |
| 602  | 22608527/0 | 1    | RINFORZO INF     | STIFFENING LOWER      | RÉNFORCEMENT INF       | VERSTÄRKUNG UNTERE |         |
| 603  | 81002227/0 | 1    | SACCO, TELA      | BOX, FABRIC           | SAC, TOILE             | SACK, TUCK         |         |
| 604  | 12728680/0 | 2    | VITE             | SCREW                 | VIS                    | SCHRAUBE           |         |
| 605  | 12523050/0 | 2    | ROSETTA          | WASHER                | RONDELLE               | SCHEIBE            |         |