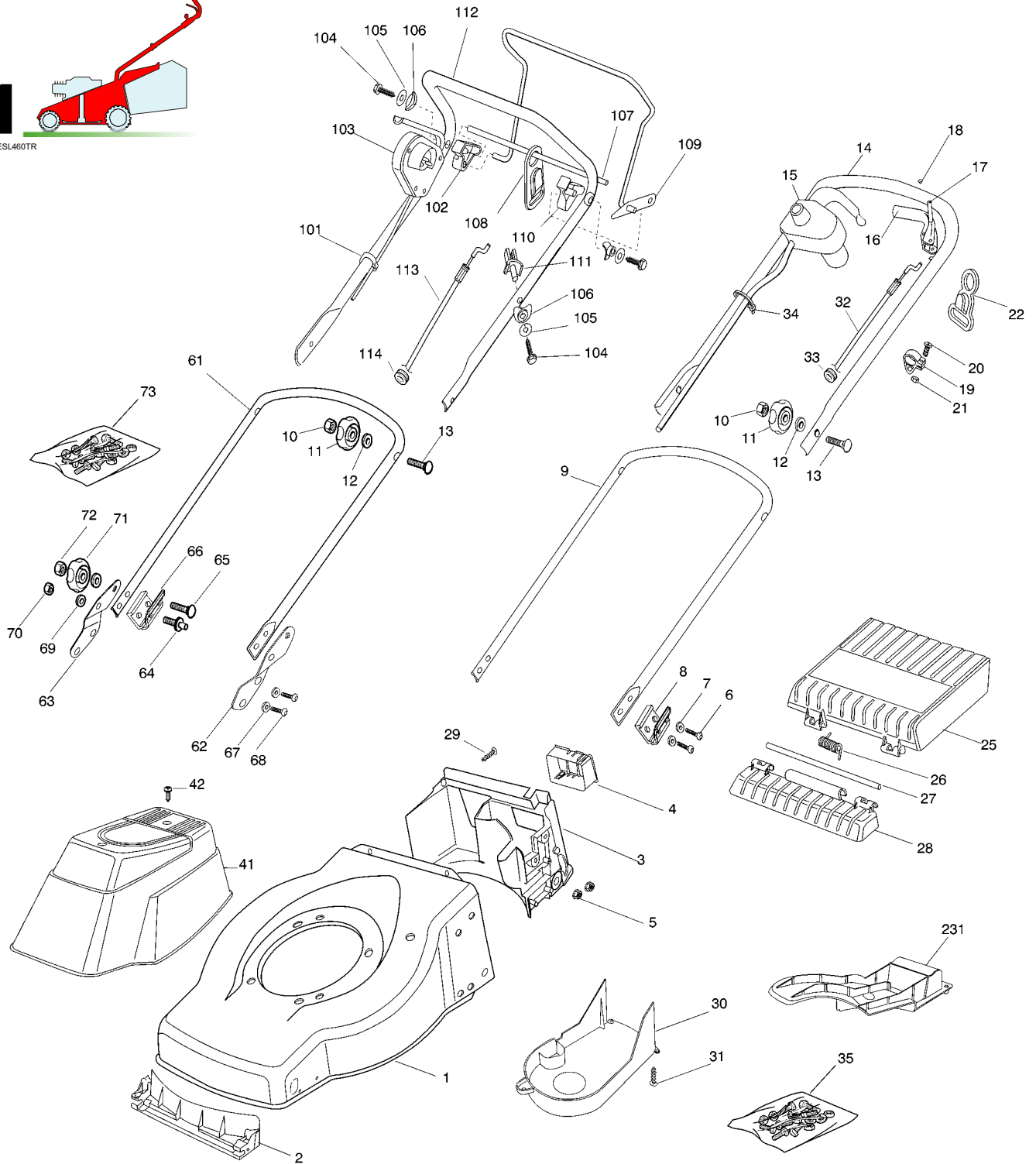


01D_ESL460TR



Pos.	Code	Q.ty	Descrizione	Description	Description	Beschreibung	Remarks
1	81002536/0	1	CHASSIS ROSSO	DECK RED	CHÂSSIS ROUGE	GEHÄUSE ROT	
2	22108271/0	1	CONVOGL. ANTERIORE	FRONT CONVEYOR ASSY	ENS. CONVOYEUR AVANT	HINTERLEITBLECHVORDER	
3	22108272/1	1	CONVOGL. POSTERIORE	REAR CONVEYOR ASSY	ENS. CONVOYEUR POST.	HINTERLEITBLECHSATZ	
4	22109531/0	1	COPERCHIO	COVER	COUVERCLE	DECKEL	
5	22131750/0	4	DADO	NUT	ECROU	MUTTER	
6	12760610/0	4	VITE	SCREW	VIS	SCHRAUBE	
7	22671651/0	4	ROSETTA	WASHER	RONDELLE	SCHIBE	
8	22551576/0	2	PIASTRINA ISOLAMENTO	PLATE	PLAQUETTE	PLATTE	



GLOBAL GARDEN PRODUCTS

Pos.	Code	Q.ty	Descrizione	Description	Description	Beschreibung	Remarks
9	81006569/0	1	MANICO INFERIORE	HANDLE, LOWER PART	MANCHERON INFERIEURE	HOLM, UNTERTEIL	
10	12293200/0	2	DADO	NUT	ECROU	MUTTER	
11	22399804/0	2	MANOPOLINA	KNOB	POIGNÉE	GRIFF	
12	22680006/1	2	ROSETTA	WASHER	RONDELLE	SCHEIBE	
13	12819201/0	2	VITE	SCREW	VIS	SCHRAUBE	
14	81006574/0	1	MANICO SUPERIORE	HANDLE, UPPER PART	MANCHERON SUPERIEURE	HOLM, OBERTEIL	
15	-	1	SALVAMOTORE	DEAD HAND SWITCH	INT. MAIN MORTE	TOT MANSCHALTER	(SEE ENCLOSURE 2)
16	22321701/0	1	LEVA TRAZIONE	DRIVING LEVER	LEVIER TRACTION	ANTRIEBHABEL	
17	12645710/0	1	SPINA	PIN	GOUPILLE	STIFT	
18	18737858/0	2	TAPPO	CAP	BOUCHON	GUMMISTOPFEN	
19	22806521/0	1	FASCETTA	CLAMP	COLLIER	BOWDENZUGHALTER	
20	12769616/0	1	VITE	SCREW	VIS	SCHRAUBE	
21	12292100/0	1	DADO	NUT	ECROU	MUTTER	
22	22195101/4	1	FERMACAVO	FAIRLEAD	FIXATION CABLE	KABELBEFESTIGUNG	
25	22600099/0	1	PROTEZIONE	PROTECTION	PROTECTION	SCHUTZ	
26	22450431/0	1	MOLLA	SPRING	RESSORT	FEDER	
27	22517858/0	1	PERNO	PIN	PIVOT	BOLZEN	
28	22785136/0	1	SUPPORTO	SUPPORT	SUPPORT	HALTER	
29	12728686/0	2	VITE	SCREW	VIS	SCHRAUBE	
30	22060212/0	1	CARTER CINGHIA	PROTECTION, BELT	PROTECTION COURROIRE	SCHUTZ, RIEMEN	
31	12728686/0	1	VITE	SCREW	VIS	SCHRAUBE	
32	81000654/0	1	CAVO COMANDO TRAZIONE	CABLE, REAR DRIVE	CÂBLE, COMMANDE TRACTION	KABEL, ANTRIEB	
33	18564510/0	1	PASSACAVO	FAIR LEAD	PASSE CABLE	KABELDURCHGANG	
34	22192000/1	2	FASCETTA ANCORAGGIO	ANCHOR CLAMP	COLLIER ANCRAGE	BOWDENZUGHALTER	
35	81008649/0	1	DOTAZIONE VITERIA	OUTFIT, SCREWS	DOTATION VISSERIE	SATZ, SCHRAUBEN	
41	22055045/1	1	CAPOTTINA	COVER	CAPOT	HAUBE	
42	12728680/0	2	VITE	SCREW	VIS	SCHRAUBE	

VARIANTE MANICO INFERIORE - LOWER HANDLE MODIFICATION - MODIFICATION MANCHERON INFERIEURE - UNTERHOLM ÄNDERUNGEN

Pos.	Code	Q.ty	Descrizione	Description	Description	Beschreibung	Remarks
61	81006575/0	1	MANICO INFERIORE	HANDLE, LOWER PART	MANCHERON INFERIEURE	HOLM, UNTERTEIL	
62	22778403/0	1	STAFFA SX	BRACKET, L	BRIDE G	PRATZE, LINKE	
63	22778401/0	1	STAFFA DX	BRACKET, R	BRIDE D	PRATZE, RECHTE	
64	22524331/0	2	PERNO	PIN	PIVOT	BOLZEN	
65	12818900/0	2	VITE	SCREW	VIS	SCHRAUBE	
66	22551576/0	2	PIASTRINA ISOLAMENTO	PLATE	PLAQUETTE	PLATTE	
67	12521350/0	4	ROSETTA	WASHER	RONDELLE	SCHEIBE	
68	12760605/0	4	VITE	SCREW	VIS	SCHRAUBE	
69	22671651/0	4	ROSETTA	WASHER	RONDELLE	SCHEIBE	
70	12155000/0	2	DADO	NUT	ECROU	MUTTER	
71	22399804/0	2	MANOPOLINA	KNOB	POIGNÉE	GRIFF	
72	12293200/0	2	DADO	NUT	ECROU	MUTTER	
73	81008654/0	1	DOTAZIONE VITERIA	OUTFIT, SCREWS	DOTATION VISSERIE	SATZ, SCHRAUBEN	

VARIANTE MANICO SUPERIORE - UPPER HANDLE MODIFICATION - MODIFICATION MANCHERON SUPERIEURE - UBERHOLM ÄNDERUNGEN

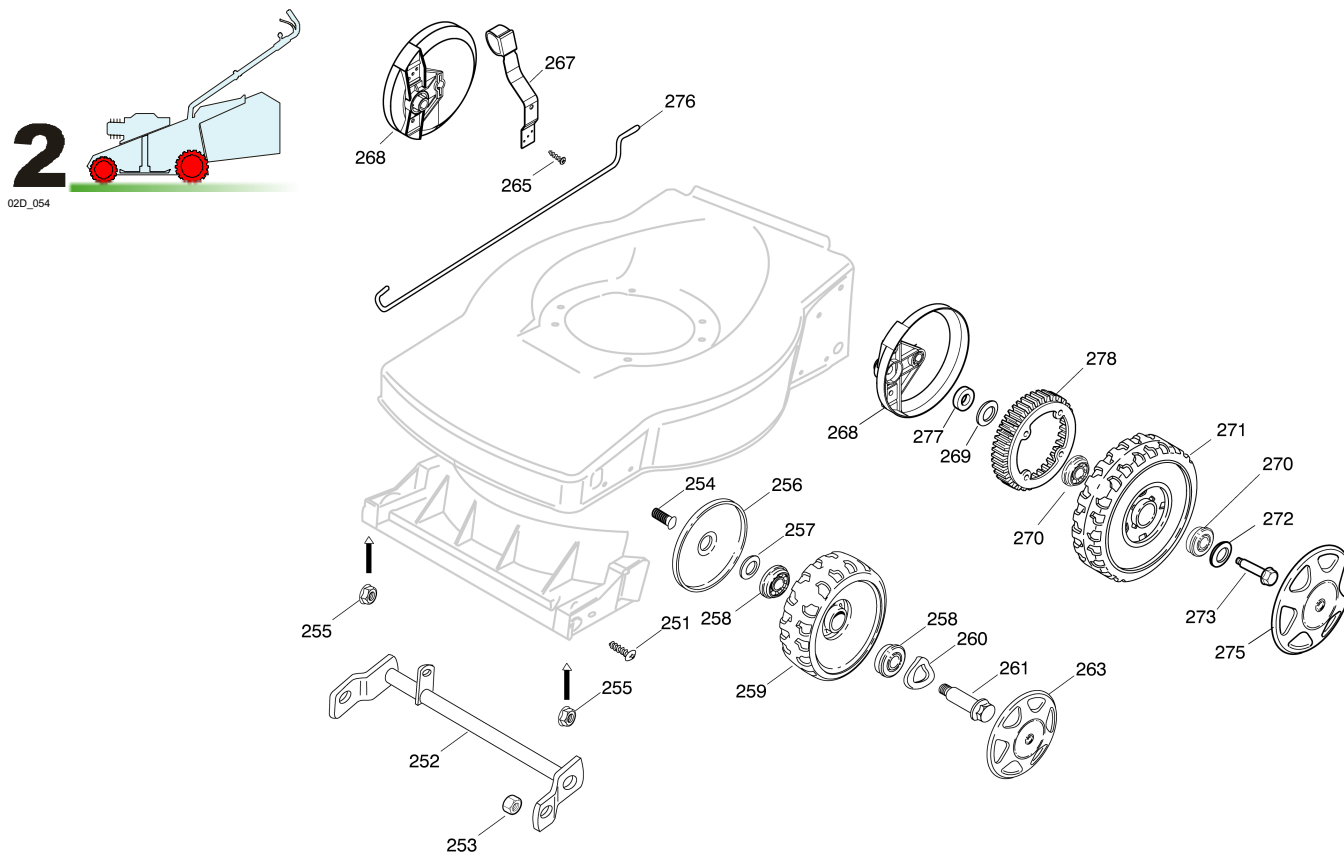
Pos.	Code	Q.ty	Descrizione	Description	Description	Beschreibung	Remarks
101	22192000/1	2	FASCETTA ANCORAGGIO	ANCHOR CLAMP	COLLIER ANCRAGE	BOWDENZUGHALTER	
102	22806518/1	1	SUPPORTO DX	SUPPORT, R	SUPPORT D	HALTER, RECHTER	
103	-	1	SALVAMOTORE	DEAD HAND SWITCH	INT. MAIN MORTE	TOT MANSCHALTER	(SEE ENCLOSURE 2)
104	12735103/0	3	VITE	SCREW	VIS	SCHRAUBE	
105	12523040/0	3	ROSETTA	WASHER	RONDELLE	SCHEIBE	
106	22680006/1	3	ROSETTA	WASHER	RONDELLE	SCHEIBE	
107	22020320/0	1	AGGANCIO FERMACAVO	FAIRLEAD BEARING	SUPPORT SERRECABLE	KABELHALTER	
108	22195101/4	1	FERMACAVO	FAIRLEAD	FIXATION CABLE	KABELBEFESTIGUNG	
109	81001245/1	1	LEVA TRAZIONE	DRIVING LEVER	LEVIER TRACTION	ANTRIEBHABEL	
110	22806519/1	1	SUPPORTO SX	SUPPORT, L	SUPPORT G	HALTER, LINKER	
111	22806520/0	1	SUPPORTO REGISTRO	SUPPORT, ADJUSTER	SUPPORT ECROU REG.	HALTER, REGLER	

GLOBAL GARDEN PRODUCTS

Pos.	Code	Q.ty	Descrizione	Description	Description	Beschreibung	Remarks
112	81006603/0	1	MANICO SUPERIORE	HANDLE, UPPER PART	MANCHERON SUPERIEURE	HOLM, OBERTEIL	
113	81000658/0	1	CAVO COMANDO TRAZIONE	CABLE, REAR DRIVE	CÂBLE, COMMANDE TRACTION	KABEL, ANTRIEB	
114	18564520/1	1	PASSACAVO	FAIR LEAD	PASSE CABLE	KABELDURCHGANG	

VARIANTE MULCHING - MULCHING MODIFICATION - MODIFICATION MULCHING - ÄNDERUNGEN MULCHING

Pos.	Code	Q.ty	Descrizione	Description	Description	Beschreibung	Remarks
231	22140226/0	1	DEFLETTORE	DEFLECTOR	DEFLECTEUR	DEFLEKTOR	

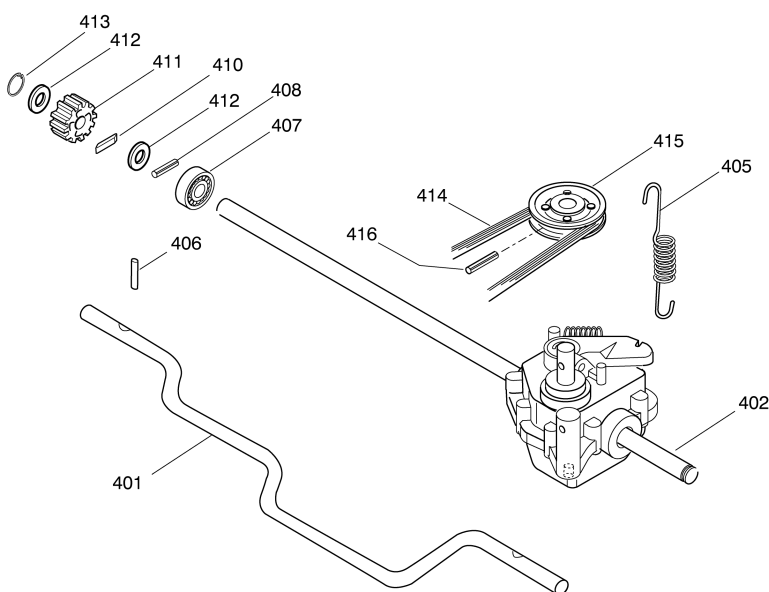
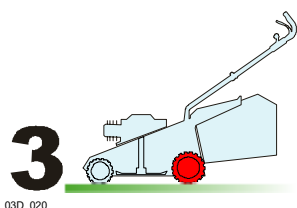


Pos.	Code	Q.ty	Descrizione	Description	Description	Beschreibung	Remarks
251	12728686/0	8	VITE	SCREW	VIS	SCHRAUBE	
252	81000153/0	1	ASSE RUOTE ANTERIORE	AXLE, FRONT WHEELS	AXE ROUES AVANT	ACHSE, VORDERRAD	
253	12155000/0	2	DADO	NUT	ECROU	MUTTER	
254	12760600/0	2	VITE	SCREW	VIS	SCHRAUBE	
255	22131750/0	2	DADO	NUT	ECROU	MUTTER	
256	22600095/0	2	PROTEZIONE	PROTECTION	PROTECTION	SCHUTZ	
257	22671651/0	2	ROSETTA	WASHER	RONDELLE	SCHEIBE	
258	22122200/0	4	CUSCINETTO	BEARING	COUSSINET	LAGER	
259	22686091/1	2	RUOTA Ø 165	WHEEL Ø 165	ROUE Ø 165	RAD Ø 165	
260	22675100/0	2	ROSETTA	WASHER	RONDELLE	SCHEIBE	
261	22524341/0	2	PERNO	PIN	PIVOT	BOLZEN	
263	22110395/0	2	COPRIMOZZO GRIGIO	HUB CAP GREY	COUVRE-MOYEU GRIS	RADKAPPE GRAU	
265	12728689/0	2	VITE	SCREW	VIS	SCHRAUBE	
267	81003303/0	1	LEVA REGOLAZIONE ALTEZZA	LEVER, HEIGHT ADJUSTMENT	LEVIER REGLAGE HAUTEUR	HEBEL, HÖHNEVERSTELLUNG	
268	22600106/1	2	PROT. RUOTE	PROTECTION, WHEEL	PROTECTION ROUE	SCHÜTZ, RÄDER	
269	22675100/0	2	ROSETTA	WASHER	RONDELLE	SCHEIBE	
270	22122200/0	4	CUSCINETTO	BEARING	COUSSINET	LAGER	
271	22686093/0	2	RUOTA Ø 190	WHEEL Ø 190	ROUE Ø190	RAD Ø 190	



GLOBAL GARDEN PRODUCTS

Pos.	Code	Q.ty	Descrizione	Description	Description	Beschreibung	Remarks
272	12523050/0	2	ROSETTA	WASHER	RONDELLE	SCHEIBE	
273	12735599/0	2	VITE	SCREW	VIS	SCHRAUBE	
274	22110346/0	2	COPRIMOZZO GRIGIO	HUB CAP GREY	COUVRE-MOYEU GRIS	RADKAPPE GRAU	
275	22110314/0	2	COPRIMOZZO GRIGIO	HUB CAP GREY	COUVRE-MOYEU GRIS	RADKAPPE GRAU	
276	22033317/0	1	ASTA REGOLAZIONE	ADJUSTMENT ROD	TIGE REGLAGE	VERSTELLUNGSTANGE	
277	22170622/0	2	DISTANZIALE	SPACER	ENTRETOISE	DISTANZRING	
278	22120109/0	2	RUOTA DENTATA	SPROCKET	COURONNE	ZAHNKETTENRA	

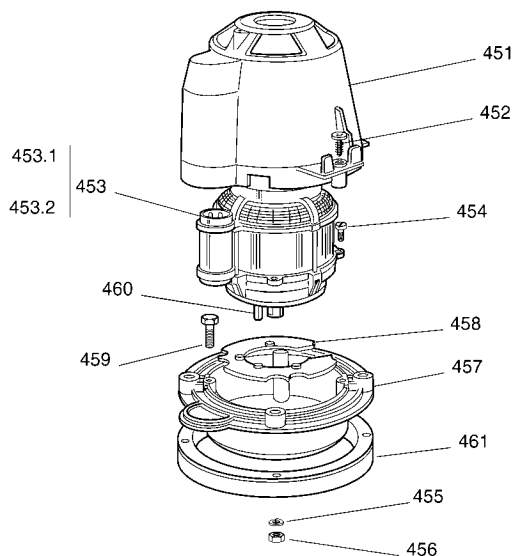
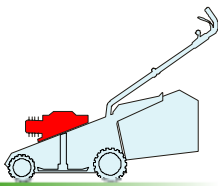


Pos.	Code	Q.ty	Descrizione	Description	Description	Beschreibung	Remarks
401	81000159/0	1	ASSE RUOTE POSTERIORE	AXLE, REAR WHEELS	AXE ROUES ARRIERE	ACHSE, HINTERRAD	
402	81003078/0	1	GRUPPO TRAZIONE	GEAR BOX	GROUPE TRACTION	ANTRIEB	
405	22450432/0	1	MOLLA	SPRING	RESSORT	FEDER	
406	22753001/0	2	SPINA	PIN	GOUPILLE	STIFT	
407	22122200/0	2	CUSCINETTO	BEARING	COUSSINET	LAGER	
408	12622620/0	2	SPINA	PIN	GOUPILLE	STIFT	
410	22076645/0	2	CHIAVE	KEY	CLEF	SCHLÜSSEL	
411	22570125/0	2	PIGNONE	PINION	PIGNON	RITZEL	
412	22160520/0	4	DISCO PARAPOLVERE	DUST COVER	PROTEGE-POUSSIERE	STAUBSCHUTTSCHIEBE	
413	12608520/0	2	SEEGER	SEEGER	SEEGER	SEEGER	
414	35063170/0	1	CINGHIA	BELT	COURROIRE	RIEMEN	
415	22601912/0	1	PULEGGIA	PULLEY	POULIE	RIEMENSCHIEBE	
416	12645705/0	1	SPINA	PIN	GOUPILLE	STIFT	

GLOBAL GARDEN PRODUCTS

4

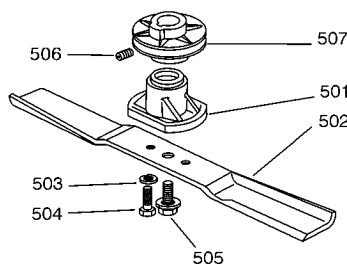
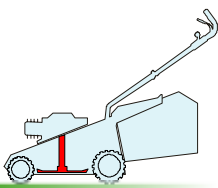
04D_002



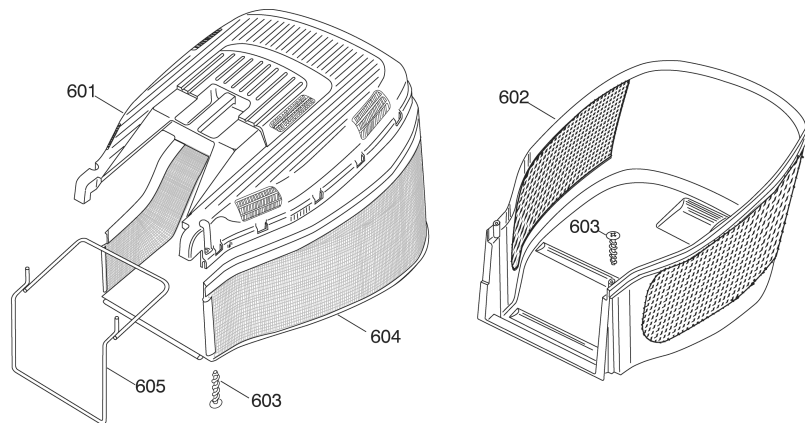
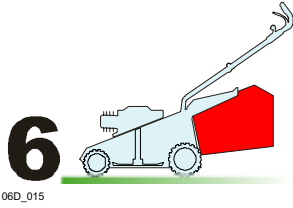
Pos.	Code	Q.ty	Descrizione	Description	Description	Beshreibung	Remarks
451	22785210/0	1	SUPPORTO CAPOTTINA	SUPPORT, COVER	SUPPORT CAPOT	HALTER, HAUBE	
452	12728710/0	4	VITE	SCREW	VIS	SCHRAUBE	
453	18563641/0	1	MOTORE ATB	MOTOR ATB	MOTEUR ATB	MOTOR ATB	230V (1800W)
453.1	18740054/0	1	VENTOLA PER MOTORE ATB	FAN MOTOR ATB	VENTILATEUR MOTEUR ATB	LÜFTER MOTOR ATB	
453.2	18222039/0	1	CONDENSATORE 25 µF	CONDENSER 25 µF	CONDENSEUR 25 µF	KONDENSATOR 25 µF	
454	12735410/0	4	VITE	SCREW	VIS	SCHRAUBE	
455	12583500/0	4	GROWER	GROWER	GROWER	FEDERRING	
456	12293200/0	4	DADO	NUT	ECROU	MUTTER	
457	22207211/3	1	FLANGIA	FLANGE	BRIDE	FLANSCH	
458	22720360/1	1	SCHERMO VENTILAZIONE	VENTILATION SCREEN	ECRAN VENTILATION	LÜFTUNGSSCHIRM	
459	12691800/0	3	VITE	SCREW	VIS	SCHRAUBE	(M8X60)
-	12692000/0	1	VITE	SCREW	VIS	SCHRAUBE	(M8X75)
460	12139440/0	1	LINGUETTA	FEATHER	CLAVETTE	KEIL	
461	22170960/1	1	DISTANZIALE	SPACER	ENTRETOISE	DISTANZRING	

5

05D_004



Pos.	Code	Q.ty	Descrizione	Description	Description	Beshreibung	Remarks
501	22463186/2	1	MOZZO	HUB	MOYEU	HALTER	
502	81004365/3	1	COLTELLO STANDARD	BLADE STANDARD	LAME STANDARD	MESSER STANDARD	
503	12583500/0	2	GROWER	GROWER	GROWER	FEDERRING	
504	12793101/0	2	VITE	SCREW	VIS	SCHRAUBE	
505	81004352/0	1	VITE	SCREW	VIS	SCHRAUBE	
506	12713801/0	1	GRANO	DOWEL	GRAIN	STIFT	
507	22601911/0	1	PULEGGIA	PULLEY	POULIE	RIEMENSCHLEIBE	



Pos.	Code	Q.ty	Descrizione	Description	Description	Beschreibung	Remarks
601	22486122/0	1	PARTE SUP.SACCO	GRASSBOX UPPER PART	SAC, PARTIE SUPERIEURE	KORB OBERTEIL	
602	22486128/0	1	PARTE INFER. SACCO	GRASSBOX LOWER PART	SAC, PARTIE INFERIEURE	KORB UNTERTEIL	
603	12728686/0	2	VITE	SCREW	VIS	SCHRAUBE	
604	81002229/0	1	SACCO, TELA	BOX, FABRIC	SAC, TOILE	SACK, TUCK	
605	81006419/0	1	TELAIO SACCO	CHASSIS BOX	CHÂSSIS BAC	RAHMEN SACK	