



Green Passion

Illustrated Parts List

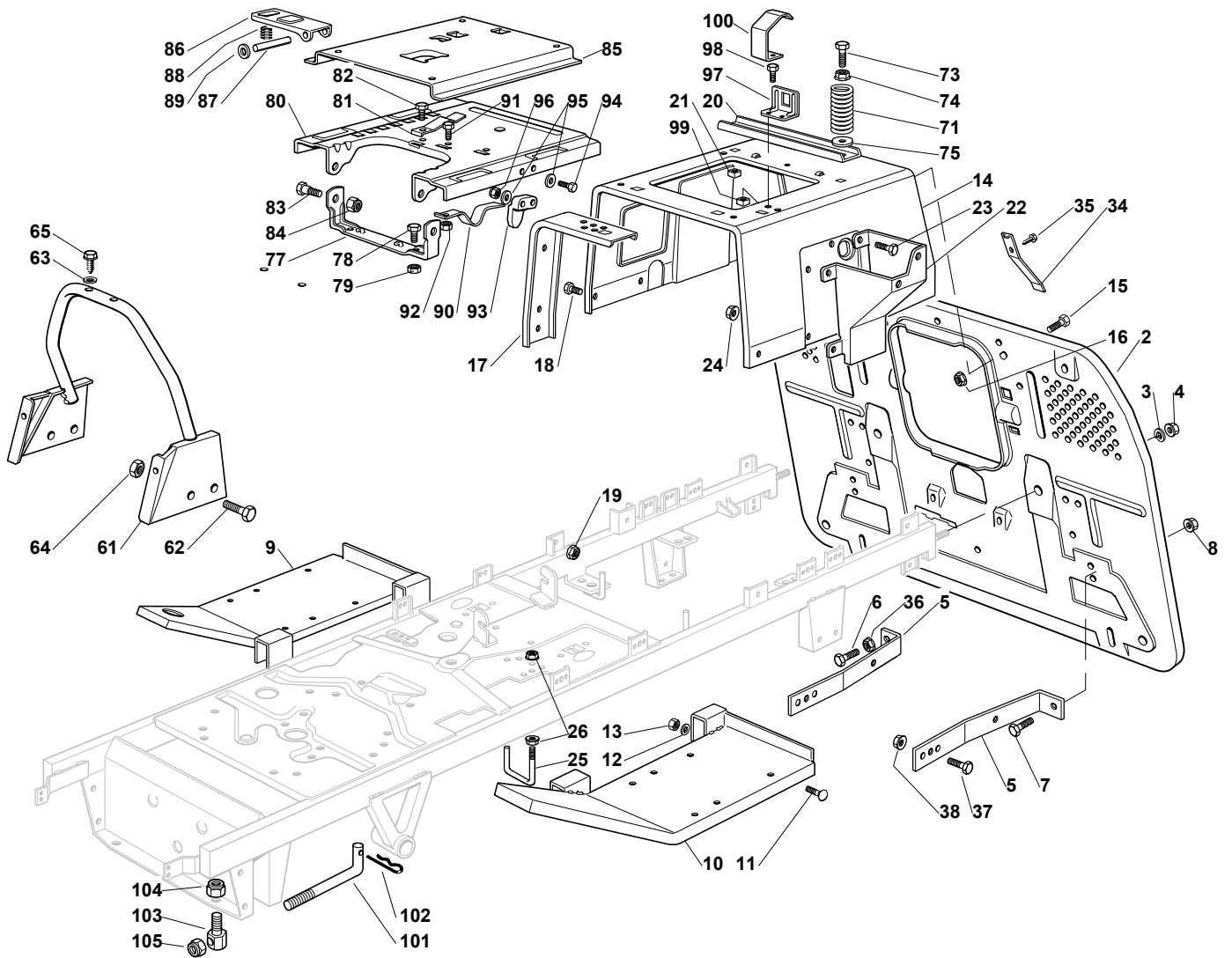
XT 220 HD

Model Year 2011

- Use GLOBAL GARDEN PRODUCT Genuine Spare Parts specified in the parts list for repair and/or replacement.
- The contents described in the parts list may change due to improvement.
- The drawings of the spare parts are only indicative and might not represent the part in question exactly.
- The indications "right" - "left" - "front" - "rear" refer to the position of the operator when using the machine.
- When placing orders of parts for repair and/or replacement, make sure that the illustrated parts list is the one applying to the machine's year of manufacture, as shown on the identification plate attached to the machine.

COPYRIGHT by GLOBAL GARDEN PRODUCTS

All rights reserved. No part of this material may be reproduced or transmitted, in any form or by any means, electronic or mechanical, including photocopying, recording or by any information storage and retrieval system, without permission in writing from GLOBAL GARDEN PRODUCTS.

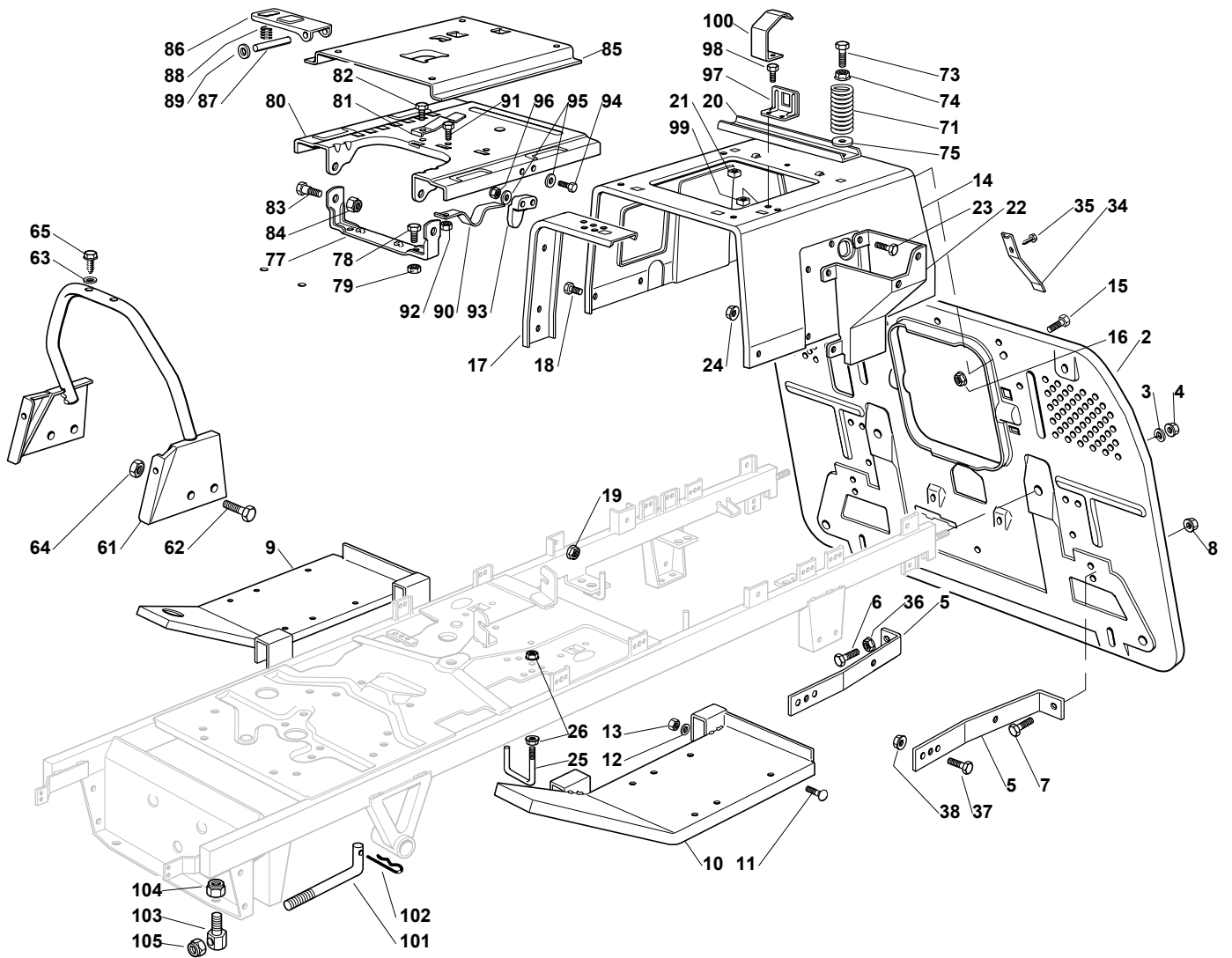




XT 220 HD

Seat & Steering Wheel

Pos.	Part no.	Q.ty	Description	Remarks
3	12585100/0	2	Grower	
4	12295200/0	2	Nut	
5	25774273/1	2	Stiffening	
6	12691100/0	1	Left Screw	
7	12793102/0	3	Screw	
8	12293201/0	4	Nut	
9	382510041/2	1	Right Footboard Support	
10	382510043/2	1	Left Footboard Support	
11	12815245/0	4	Screw	
12	12523040/0	4	Washer	
13	12154510/0	4	Nut	
14	325785133/4	1	Seat Support	
15	12791011/0	5	Screw	
16	12292102/0	5	Nut	
17	25650065/0	2	Stiffening	
18	12791011/0	6	Screw	
19	12292102/0	6	Nut	
20	25650067/0	1	Stiffening	
21	12360420/0	2	Nut	
22	325785137/1	1	Support	
23	12791011/0	4	Screw	
24	12292102/0	4	Nut	
25	25580019/0	1	Belt Guide (Hydro)	
26	12292102/0	2	Nut	
34	25430238/0	1	Spring	
35	12731580/0	1	Screw	
36	12293200/0	1	Nut	
37	12793102/0	2	Screw	
38	12293201/0	2	Nut	
61	382650045/0	1	Chassis	
62	12792611/0	4	Screw	
63	12521330/0	2	Washer	
64	12292102/0	4	Nut	
65	12731350/0	2	Screw	
71	125430257/1	2	Spring	
73	25943001/0	2	Screw	
74	12293201/0	2	Nut	
75	12523070/0	2	Washer	
77	82774207/0	1	Seat Clamp Support	
78	12792611/0	2	Screw	
79	12293201/0	2	Nut	
80	25785149/2	1	Fixed Seat Supp.	
81	25430203/0	1	Spring	
82	12731580/0	1	Screw	
83	22524970/2	2	Pin	
84	12155010/0	2	Nut	
85	325785147/1	1	Seat Support	
86	325318109/1	1	Stop Lever	
87	25510000/0	1	Pin	
88	125430202/1	1	Spring	
89	12604897/0	2	Washer	
90	25430223/2	1	Spring	
91	12789000/0	1	Screw	
92	12154330/0	1	Nut	
93	25060033/0	1	Cam	
94	12815050/0	2	Screw	
95	12521320/0	4	Washer	
96	12154330/0	2	Nut	
97	25755025/1	1	Bracket	
98	12735110/0	2	Screw	
99	12437502/0	2	Plate	
100	25430255/0	1	Spring	
101	125510119/0	2	Tie Rod	
102	24487997/0	2	Washer	
103	25510040/1	2	Pin	

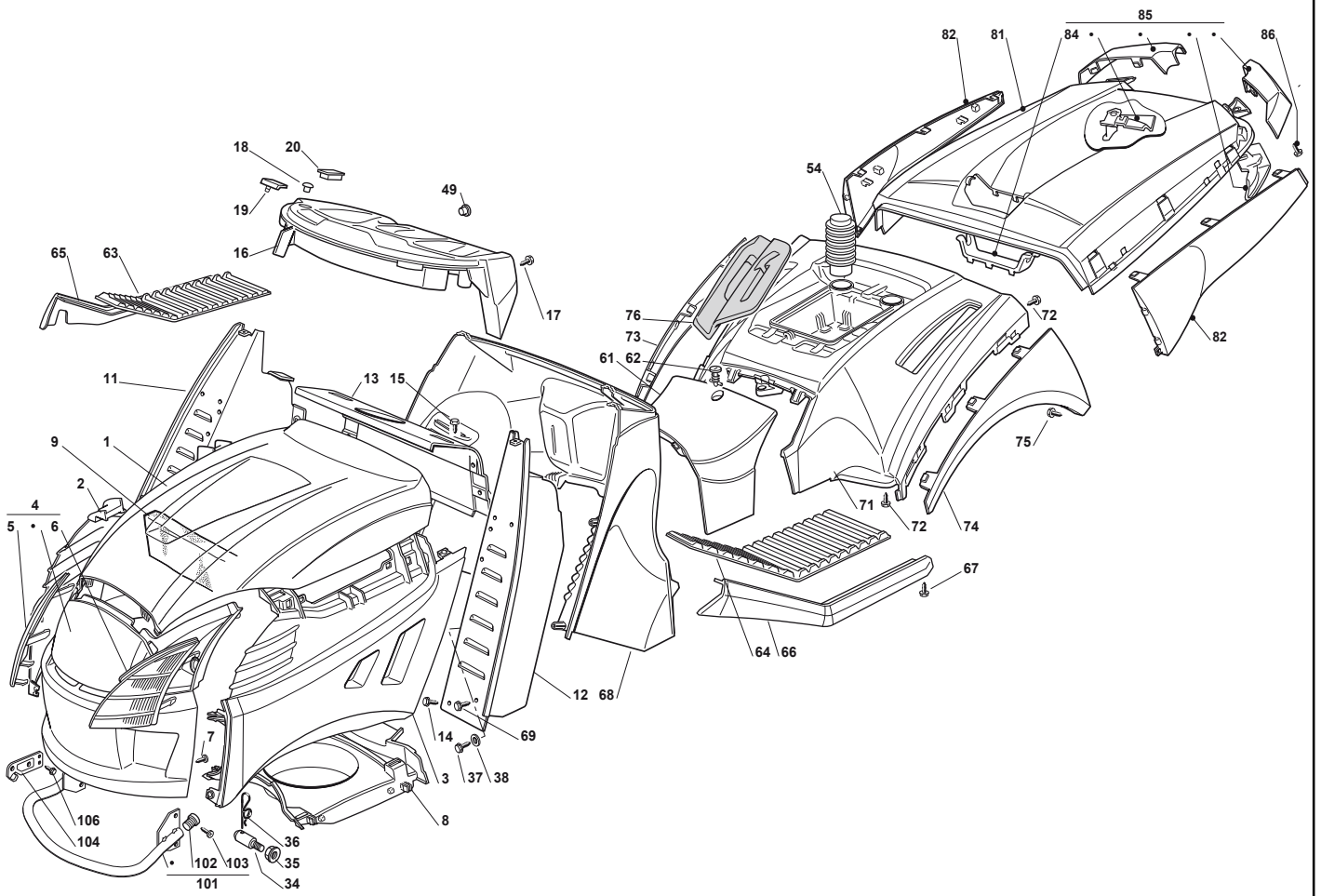




XT 220 HD

Seat & Steering Wheel

Pos.	Part no.	Q.ty	Description	Remarks
104	12155000/0	2	Nut	
105	12155000/0	2	Nut	

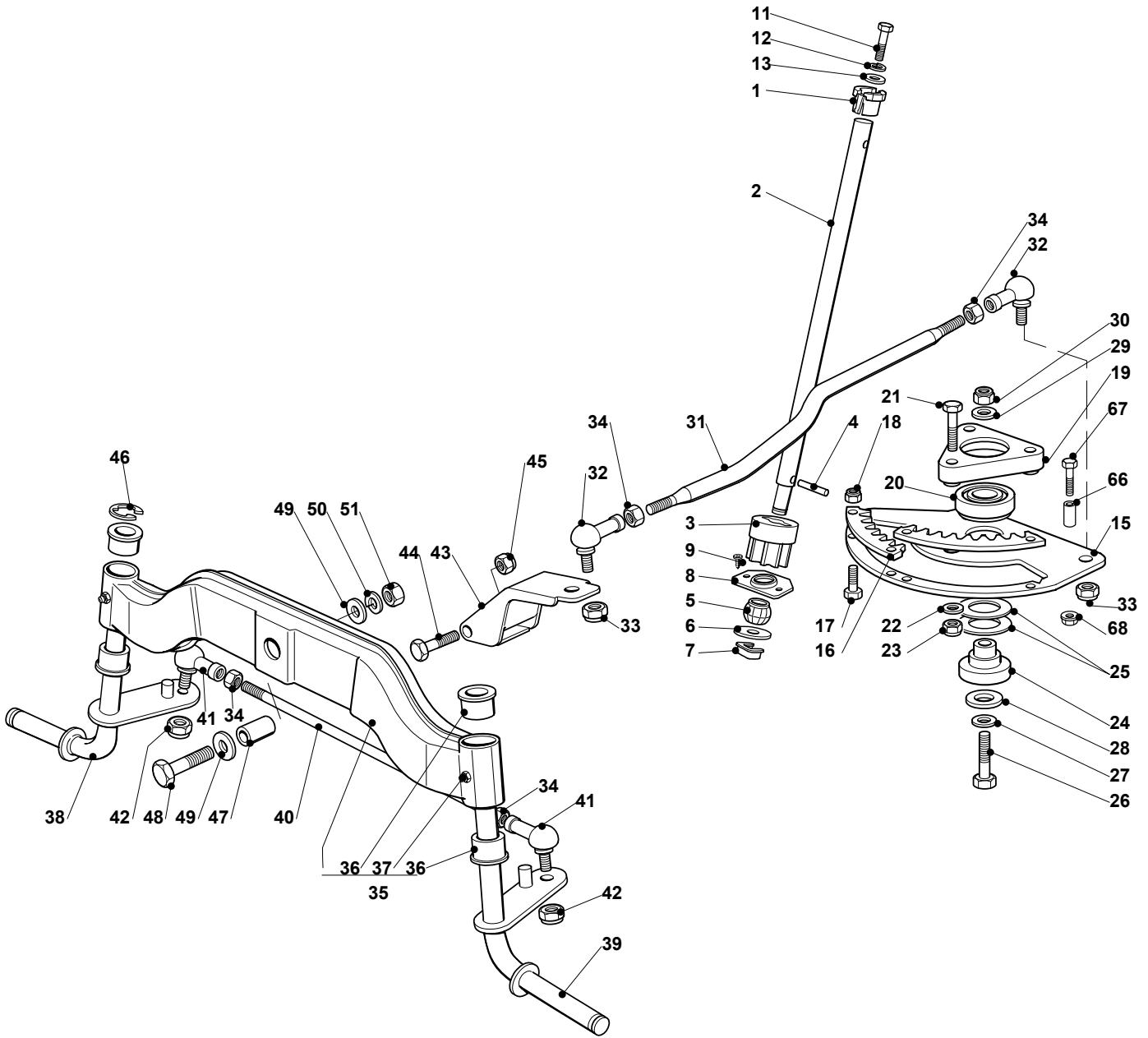




XT 220 HD

Body

Pos.	Part no.	Q.ty	Description	Remarks
1	25076858/0	1	Upper Engine Hood	
2	325207120/1	1	Hood, Right	
3	325207121/1	1	Hood, Left	
4	82394607/0	1	Hood, Front	
5	25410874/0	1	Right Grill	
6	25410875/0	1	Left Grill	
7	12735405/0	6	Screw	
8	25108025/0	1	Conveyor	
9	25730016/0	1	Intake Separator	
11	382785022/8	1	Right Dashboard Supp.	
12	382785021/7	1	Left Dashboard Supp.	
13	82785137/0	1	Central Dashboard Supp	
14	12735110/0	2	Screw	
15	12735110/0	4	Screw	
16	325120204/0	1	Dashboard, Red (Cruise Control)	
17	12728440/0	4	Screw	
18	25120200/0	2	Plug	
19	25260000/0	2	Grommet	
34	25510068/0	2	Pin	
35	12293201/0	2	Nut	
36	24487998/0	1	Cotter Pin	
37	12731350/0	2	Screw	
38	12521330/0	2	Washer	
49	25120233/0	1	Cap	
54	25737002/0	2	Hood	
61	25110303/0	1	Cover	
61	25110306/0	1	Cover	
62	125580020/2	1	Pivot	
63	25110278/1	1	Right Footboardcover	
64	25110279/0	1	Left Footboard Cover	
65	25599000/0	1	Right Profil	
66	25599001/0	1	Left Profil	
67	12731580/0	6	Screw	
68	25785228/1	1	Dashboard Support	
69	12735403/0	7	Screw	
71	25109744/0	1	Wheels Cover	
72	12735402/0	4	Screw	
73	25109747/0	1	Right Wheel Cover	
74	25109748/0	1	Left Wheel Cover	
75	12728686/0	2	Screw	
76	25207129/0	1	Cover	
81	25110302/0	1	Grass-Catcher Cover	
82	382110256/0	1	Cover Assy	
84	25394009/0	1	Handle Cover	
85	382110283/0	1	Angles Assy	
86	12735403/0	4	Screw	
88	25032006/0	1	Right Angle	
89	25032007/0	1	Left Angle	
101	82869019/0	1	Muffler Protection	
102	18737857/0	2	Cap	
103	12734995/0	4	Screw	
104	325547109/2	2	Plate	
106	12731580/0	4	Screw	

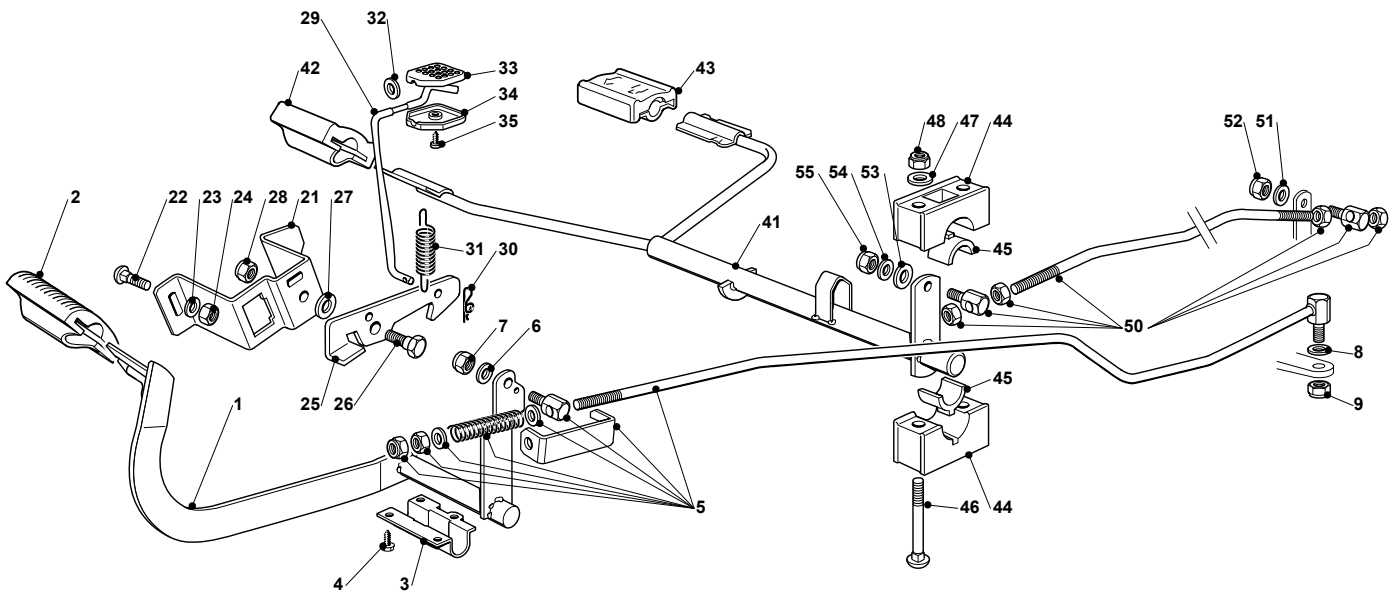




XT 220 HD

Steering

Pos.	Part no.	Q.ty	Description	Remarks
1	25038004/0	1	Bush	
2	125520010/0	1	Steering Column	
3	25570000/2	1	Pinion	
4	112714300/0	1	Dowel	
5	25743000/0	1	Joint	
6	12521370/0	1	Washer	
7	12436030/0	1	Plate	
8	325785213/1	1	Support	
9	12729601/1	2	Screw	
10	112620250/0	1	Pin	
11	12691800/0	1	Screw	
12	12583500/0	1	Grower	
13	12523060/0	1	Washer	
15	325735523/0	1	Steering Shaft	
16	325150000/0	2	Rack	
17	12791213/1	4	Screw	
18	12154510/0	4	Nut	
19	325774453/0	1	Clamp	
20	119216047/0	1	Bearing	
21	12691100/0	3	Left Screw	
22	12523060/0	3	Washer	
23	12155000/0	3	Nut	
24	125510120/0	1	Support	
25	22672153/0	2	Washer	
26	12692395/0	1	Screw	
27	12523080/0	1	Washer	
28	12521390/0	1	Washer	
29	12523080/0	1	Washer	
30	12156602/0	1	Nut	
31	25033003/1	1	Steering Rod	
32	122746616/0	2	Joint	
32	22746600/0	2	Joint	
33	122746609/0	2	Joint	
34	12156602/0	4	Nut	
35	82034001/3	1	Equalizer With Bush And Lubricator	
36	25034002/1	4	Brass	
37	12379511/0	2	Grease Dispenser	
38	82230361/0	1	Right Stub Axle	
39	82230359/0	1	Left Stub Axle	
40	25840001/0	1	Tie Rod	
41	122746616/0	2	Joint	
42	12156602/0	2	Nut	
43	82318185/0	1	Lever	
44	12692395/0	1	Screw	
45	12155000/0	1	Nut	
46	12001000/0	1	Snap Ring	
47	25160005/0	1	Spacer	
48	12694100/0	1	Screw	
49	12521390/0	2	Washer	
50	12587900/0	1	Grower	
51	12295800/0	1	Nut	
66	22167840/0	1	Spacer (Wheels 15")	
67	12691200/0	1	Right Screw	
68	12293201/0	1	Nut	

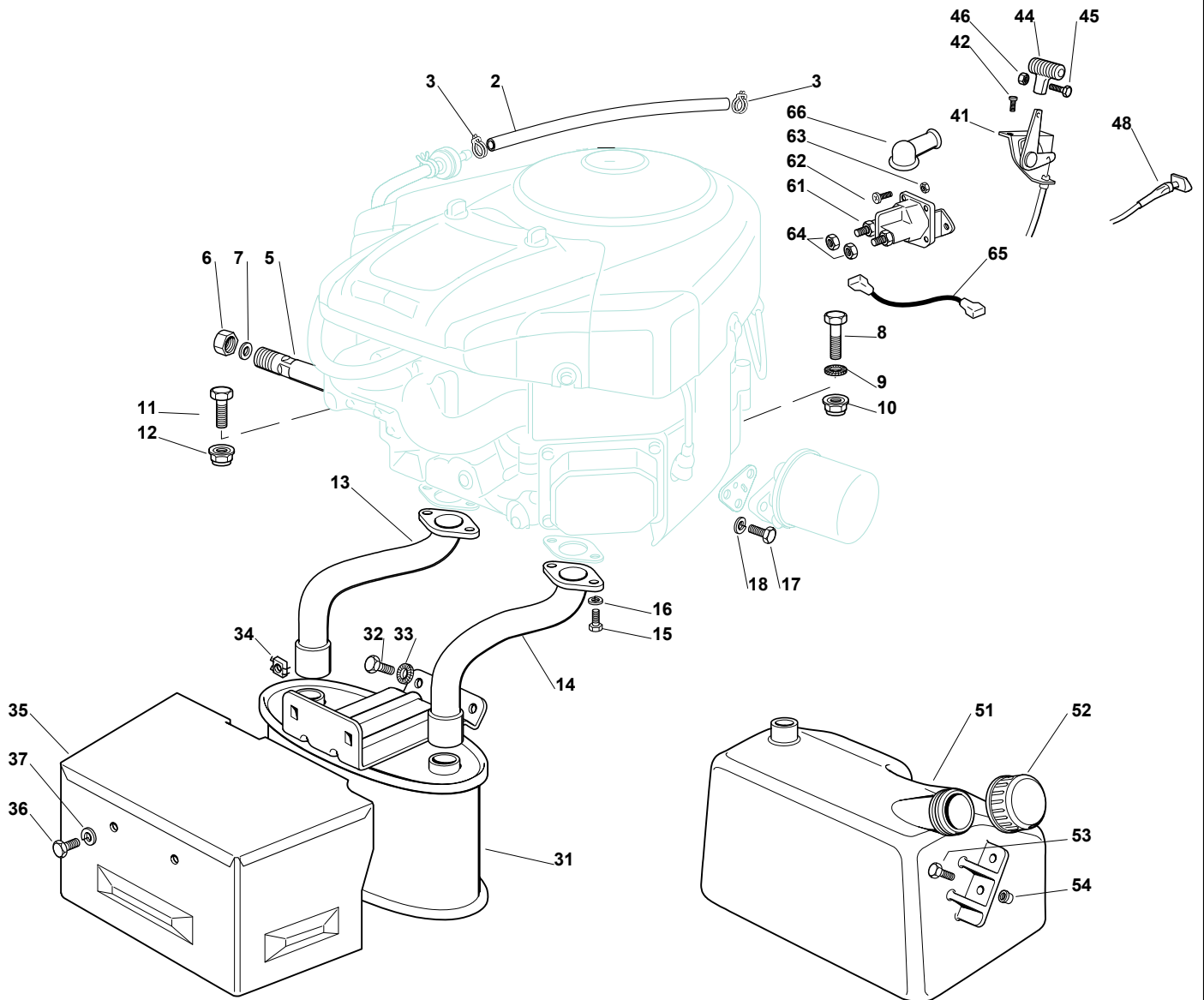




XT 220 HD

Brake And Gearbox Controls

Pos.	Part no.	Q.ty	Description	Remarks
1	82500011/2	1	Pedal	
2	325110416/0	1	Clamp Cover	
3	325547081/2	1	Plate	
4	12731601/0	4	Screw	
5	382000582/0	1	Rod	
6	12521350/0	1	Washer	
7	12155000/0	1	Nut	
8	12521360/0	2	Washer	
9	12155000/0	1	Nut	
21	325785143/1	1	Support	
22	12815210/0	2	Screw	
23	12523040/0	1	Washer	
24	12154510/0	2	Nut	
25	25253001/0	1	Hook	
26	22524970/2	1	Pin	
27	25670011/0	1	Washer	
28	12155000/0	1	Nut	
29	125033097/0	1	Rod	
30	24487997/0	1	Washer	
31	25430213/0	1	Spring	
32	12523040/0	1	Washer	
33	325592001/0	1	Knob	
34	325592002/0	1	Knob	
35	12727815/0	1	Screw	
41	382000389/0	1	Drive Pedal	
42	325110417/0	1	Clamp Cover Front	
43	325110418/0	1	Clamp Cover Rear	
44	325785354/0	4	Bracket	
45	325034003/0	4	Brass	
46	112815271/0	4	Screw	
47	12523040/0	4	Washer	
48	12154510/0	4	Nut	
50	382000579/0	1	Rod	
51	12523040/0	1	Washer	
52	12154510/0	1	Nut	
53	12521360/0	1	Washer	
54	12523040/0	1	Washer	
55	12154510/0	1	Nut	

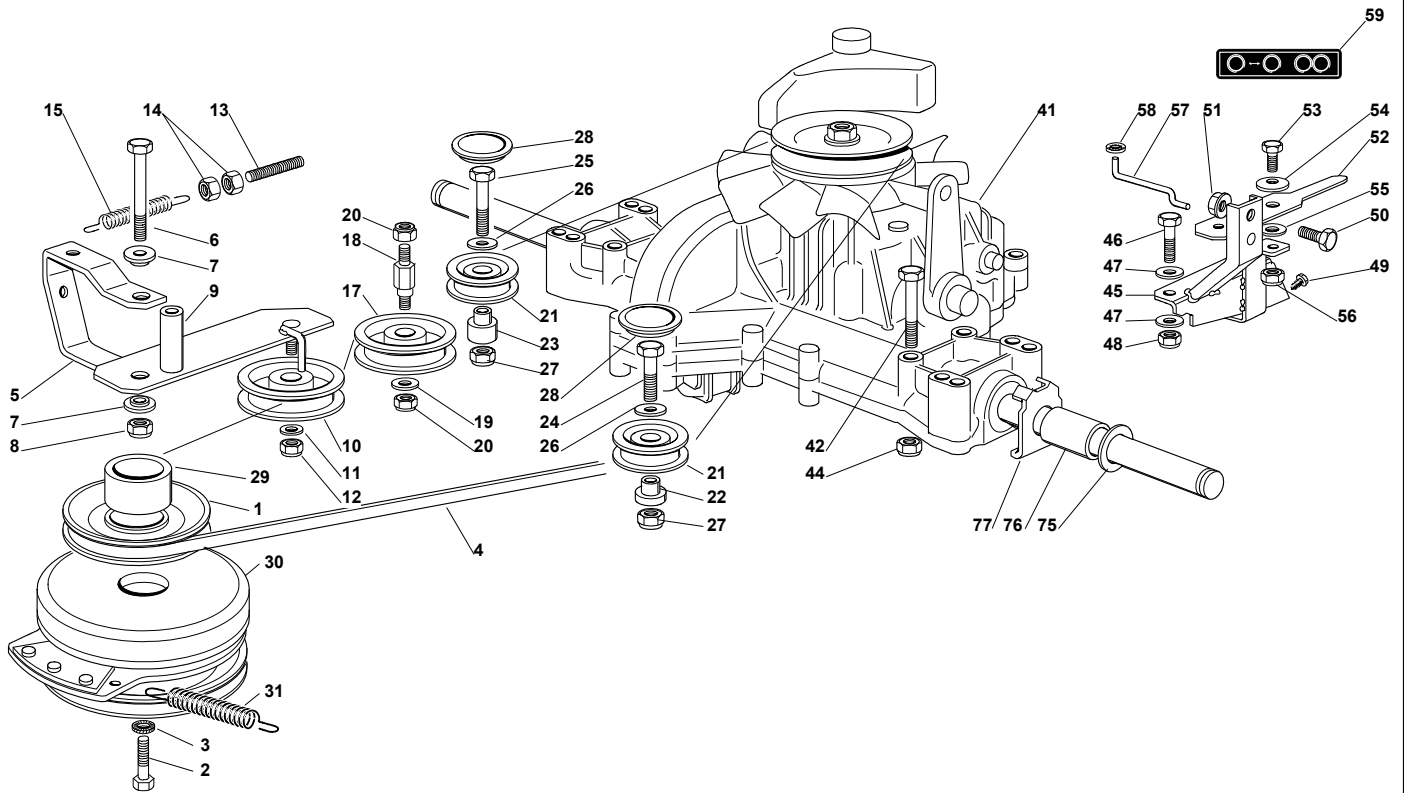




XT 220 HD

Engine - B&S

Pos.	Part no.	Q.ty	Description	Remarks
2	25869016/1	1	Connecting Tube	
3	18375051/1	2	Fair Led	
5	25598050/0	1	Oil Discharge Extension	
6	18737849/0	1	Oil Cap	
7	18401001/1	1	Oil Seal	
8	12691115/0	1	Left Screw	
9	12540260/0	1	Washer	
10	12154210/0	1	Nut	
11	12691100/0	3	Left Screw	
12	12154210/0	3	Nut	
13	18738214/0	1	Exhaust Right Tube	
14	18738215/0	1	Exhaust Left Tube	
15	12735530/0	4	Screw	
16	12583500/0	4	Grower	
17	12791400/0	3	Screw	
18	12582100/0	3	Washer	
31	82750003/0	1	Muffler	
32	12793102/0	2	Screw	
33	12540260/0	2	Washer	
34	12360425/0	2	Nut	
35	82598005/2	1	Guard	
36	12792611/0	2	Screw	
37	12583500/0	2	Grower	
41	82000211/1	1	Accelerator	
42	125943012/0	2	Screw	
44	25394501/0	1	Handle	
45	12726388/0	1	Screw	
46	12290800/0	1	Nut	
52	25795000/1	1	Cap	
53	12788910/0	2	Screw	
54	12500092/0	2	Rivet	

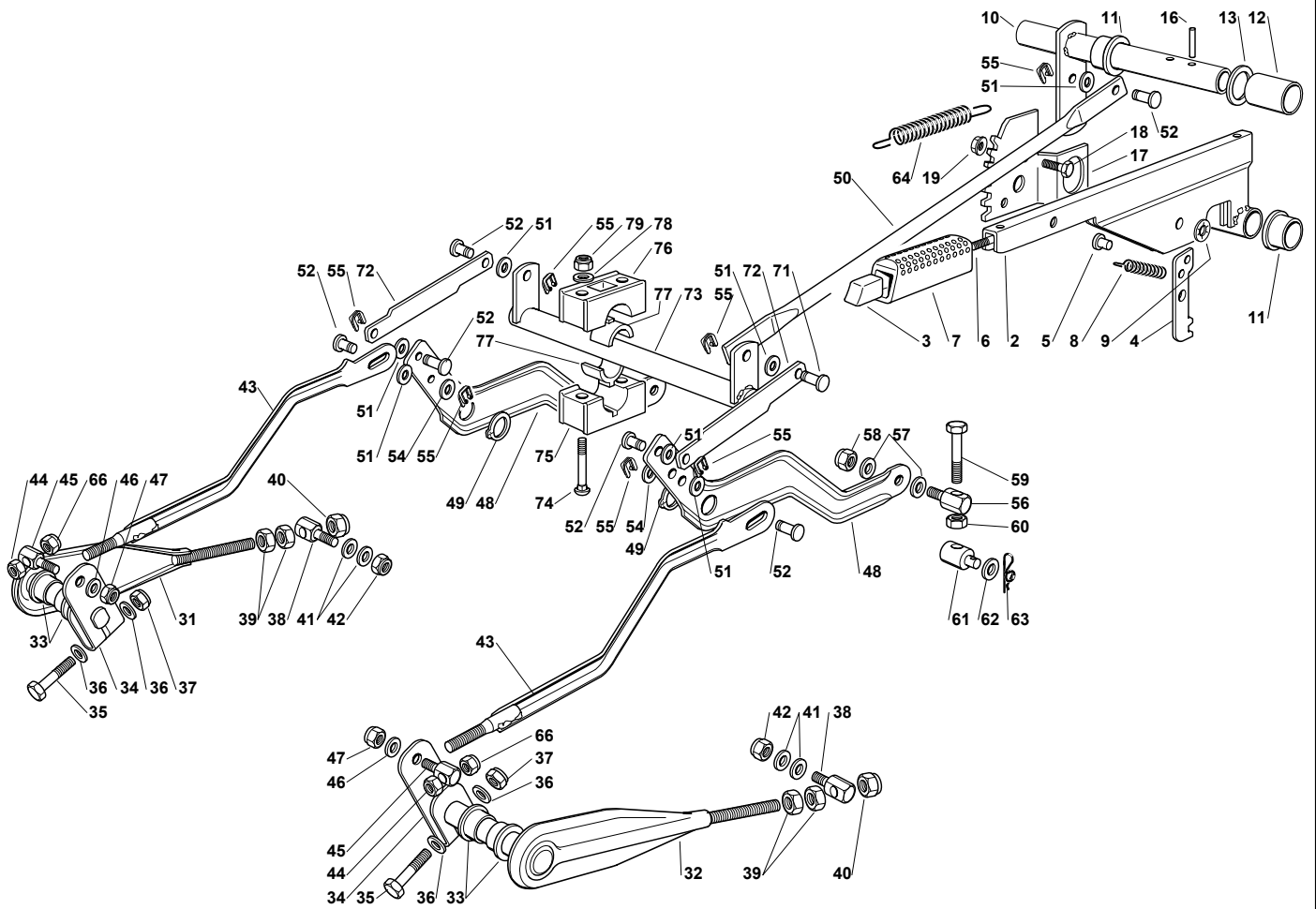




XT 220 HD

Transmission

Pos.	Part no.	Q.ty	Description	Remarks
1	25601566/0	1	Pulley	
2	12737320/0	1	Screw	
3	12543000/0	1	Washer	
4	35062001/0	1	Belt	
5	82318165/1	1	Lever	
6	12692000/0	1	Screw	
7	25038002/1	2	Bush	
8	12155000/0	1	Nut	
9	25160027/0	1	Spacer	
10	25601554/0	1	Pulley	
11	12523060/0	1	Washer	
12	12155000/0	1	Nut	
13	25840010/1	1	Tie Rod	
14	12293200/0	2	Nut	
15	25430219/0	1	Spring	
17	25601555/0	1	Pulley	
18	25510036/1	1	Pin	
19	12523060/0	1	Washer	
20	12155000/0	2	Nut	
21	325601570/1	2	Pulley	
22	125160030/2	1	Left Spacer	
23	125160024/2	1	Long Spacer	
24	12691115/0	1	Left Screw	
25	12691400/0	1	Right Screw	
26	12523060/0	2	Washer	
27	12155000/0	2	Nut	
28	25109521/1	2	Cover	
29	25160021/0	1	Spacer	
30	118399062/0	1	Clutch	
31	125430210/1	1	Spring	
41	18400950/1	1	Rear Axle Tuff Torq K46F	
42	12691800/0	4	Screw	
44	12154210/0	4	Nut	
45	82785109/0	1	Support	
46	12691200/0	1	Right Screw	
47	12521350/0	2	Washer	
48	12155000/0	1	Nut	
49	12735120/0	2	Screw	
50	12792611/0	1	Screw	
51	12293201/0	1	Nut	
52	25318157/0	1	Lever	
53	12793102/0	1	Screw	
54	12369500/0	1	Washer	
55	25670011/0	1	Washer	
56	12155000/0	1	Nut	
57	25033033/0	1	Rod	
58	12604896/0	1	Crown Fastener	
59	114357423/2	1	Label	
75	25670005/1	4	Washer	
76	25160023/0	2	Spacer	
77	325670025/0	2	Washer	

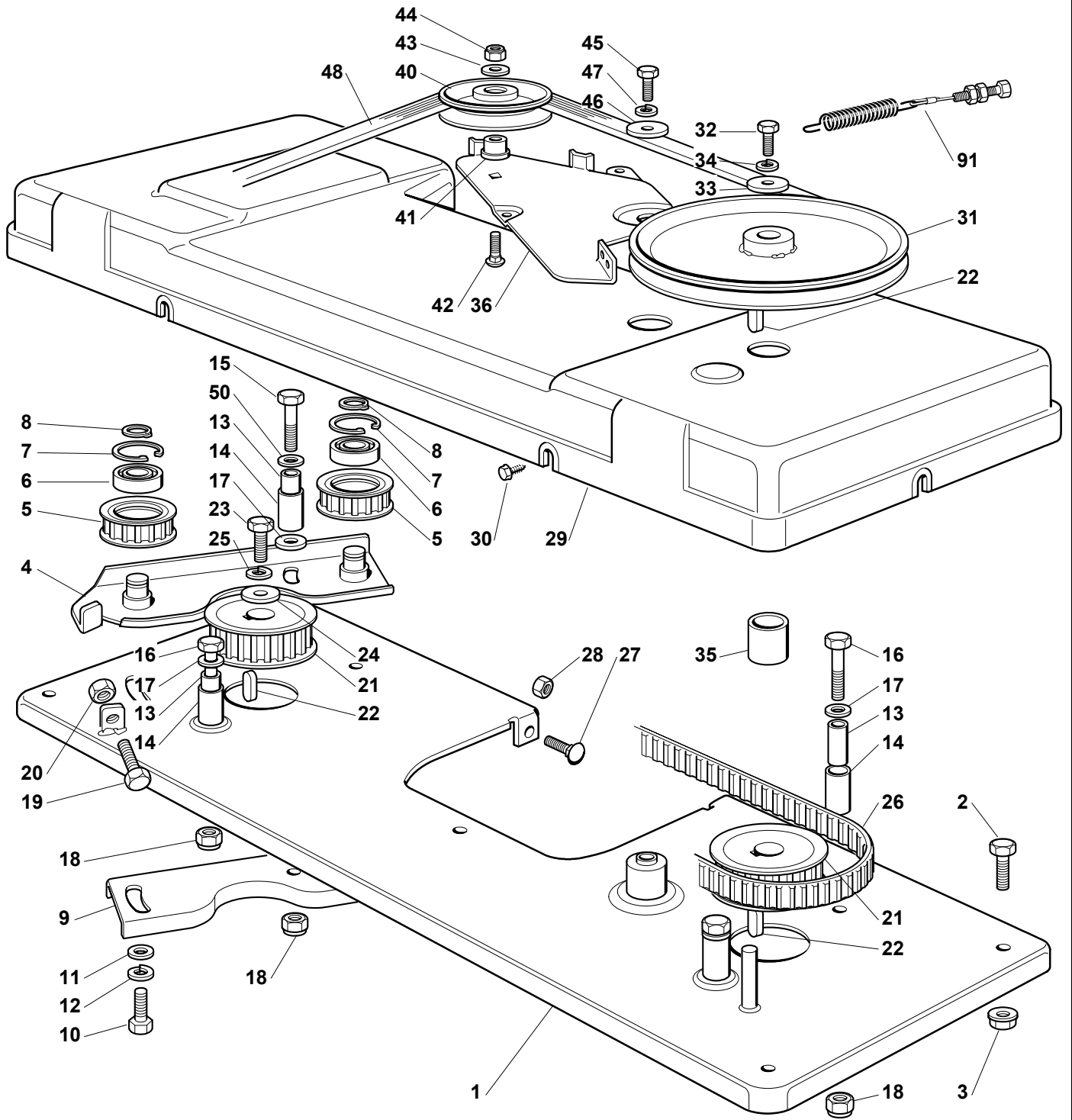




XT 220 HD

Cutting Plate Lifting

Pos.	Part no.	Q.ty	Description	Remarks
2	82318139/0	1	Lever	
3	25605000/1	1	Button	
4	25470901/0	1	Dog	
5	25510011/0	1	Pin	
6	25033002/0	1	Rod	
7	325394536/0	1	Knob	
8	25430208/0	1	Spring	
9	12604899/0	1	Crown Fastener	
10	382000551/0	1	Axle	
11	22034523/0	2	Bush	
12	25160025/0	1	Spacer	
13	22672153/0	1	Washer	
16	12620206/0	2	Pin	
17	25735506/1	1	Sector	
18	12792611/0	2	Screw	
19	12293201/0	2	Nut	
31	82318155/0	1	Right Lever	
32	82318157/0	1	Left Lever	
33	25040605/0	4	Bush	
34	25318161/0	2	Lever	
35	12691700/0	2	Screw	
36	12521350/0	4	Washer	
37	12155000/0	2	Nut	
38	25510056/0	2	Pin	
39	12295200/0	4	Nut	
40	12156602/0	2	Nut	
41	25670008/1	4	Washer	
42	12156602/0	2	Nut	
43	82000477/2	2	Connecting Rod	
44	12155000/0	2	Nut	
45	125510055/1	2	Pin	
46	12521350/0	2	Washer	
47	12155000/0	2	Nut	
48	25318153/1	2	Rear Lever	
49	12609255/0	2	Seeger	
50	325033071/0	1	Connecting Rod	
51	25670011/0	7	Washer	
52	125510117/0	7	Pin	
54	12521350/0	2	Washer	
55	12436050/0	7	Plate	
56	25510056/0	2	Pin	
57	25670008/1	4	Washer	
58	12156602/0	2	Nut	
59	12794980/0	2	Screw	
60	12295200/0	2	Nut	
61	25510070/0	2	Pin	
62	12523090/0	2	Washer	
63	24487998/0	2	Cotter Pin	
64	25430218/0	1	Spring	
66	12293200/0	2	Nut	
71	125510048/1	1	Pin	
72	325318223/0	2	Lever	
73	382000585/0	1	Axle	
74	112815271/0	4	Screw	
75	325785355/0	2	Bracket	
76	325785354/0	2	Bracket	
77	325034003/0	4	Brass	
78	12523040/0	4	Washer	
79	12154510/0	4	Nut	

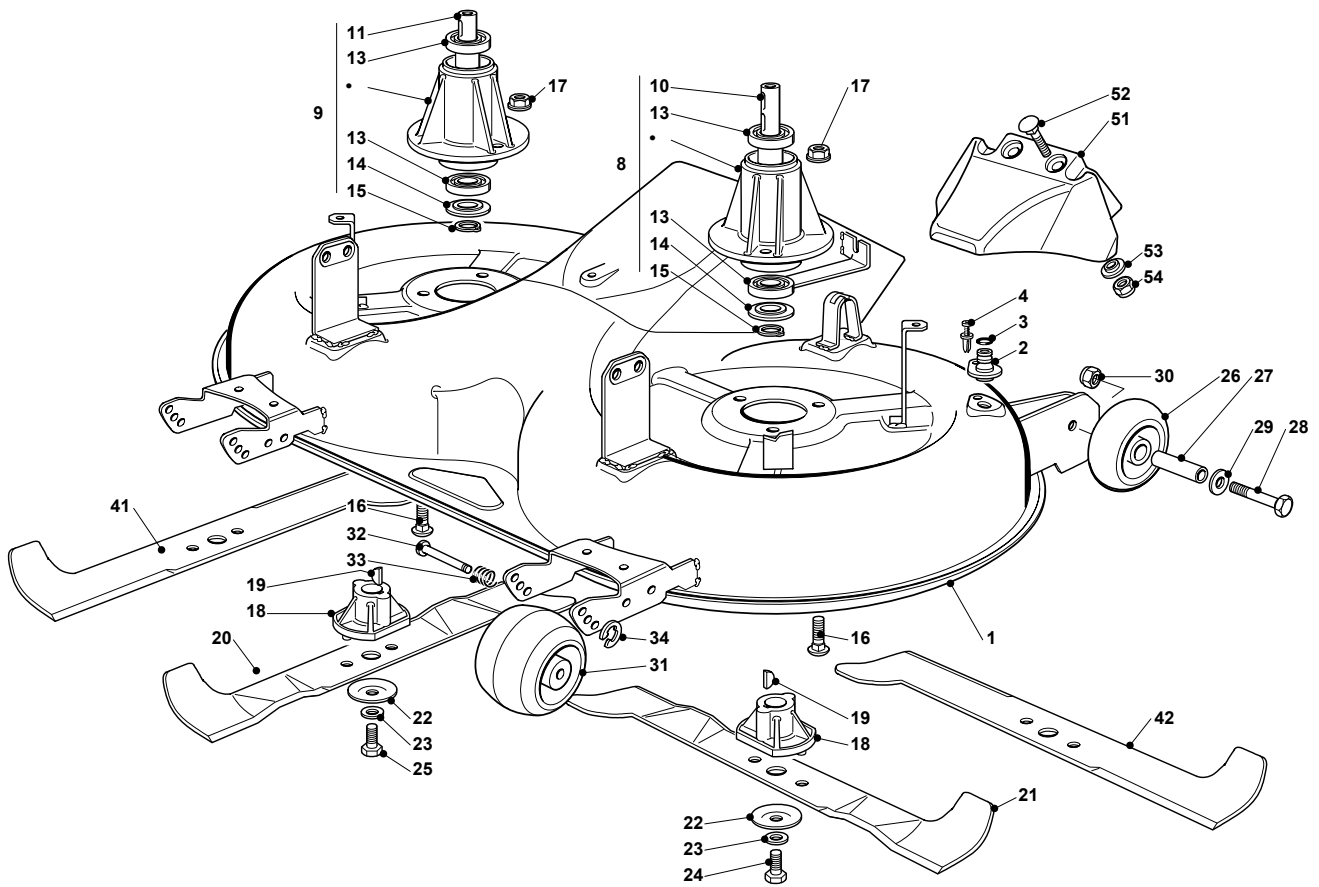




XT 220 HD

Baldes Engagement

Pos.	Part no.	Q.ty	Description	Remarks
1	82547029/0	1	Plate	
2	12792611/0	4	Screw	
3	12293201/0	4	Nut	
4	82785084/1	1	Support	
5	25601559/1	2	Pulley	
6	119216048/0	2	Bearing	
7	12610800/0	2	Seeger	
8	12609200/0	2	Seeger	
9	25650037/0	1	Stiffening	
10	12793102/0	2	Screw	
11	12521350/0	2	Washer	
12	12583500/0	2	Grower	
13	25160003/0	4	Spacer	
14	25038000/0	4	Bushing	
15	12691700/0	1	Screw	
16	12691200/0	3	Right Screw	
17	12521350/0	4	Washer	
18	12293201/0	4	Nut	
19	12793900/0	1	Screw	
20	12293200/0	1	Nut	
21	25601560/0	2	Pulley	
22	12139480/0	3	Feather	
23	12793102/0	1	Screw	
24	25670007/0	1	Washer	
25	12583500/0	1	Grower	
26	35065600/0	1	Belt	
27	12815200/0	3	Screw	
28	12292102/0	3	Nut	
29	25060100/3	1	Case	
30	12735110/0	6	Screw	
31	25601550/0	1	Pulley	
32	12793102/0	1	Screw	
33	25670007/0	1	Washer	
34	12583500/0	1	Grower	
35	25160002/0	1	Spacer	
36	25318115/1	1	Brake Lever	
40	25601555/0	1	Pulley	
41	25160007/0	1	Spacer	
42	12818900/0	1	Screw	
43	12523060/0	1	Washer	
44	12155000/0	1	Nut	
45	12793102/0	1	Screw	
46	12523070/0	1	Washer	
47	12583500/0	1	Grower	
48	35062811/0	1	Belt	
50	12523060/0	1	Washer	
91	82004608/0	1	Wire	

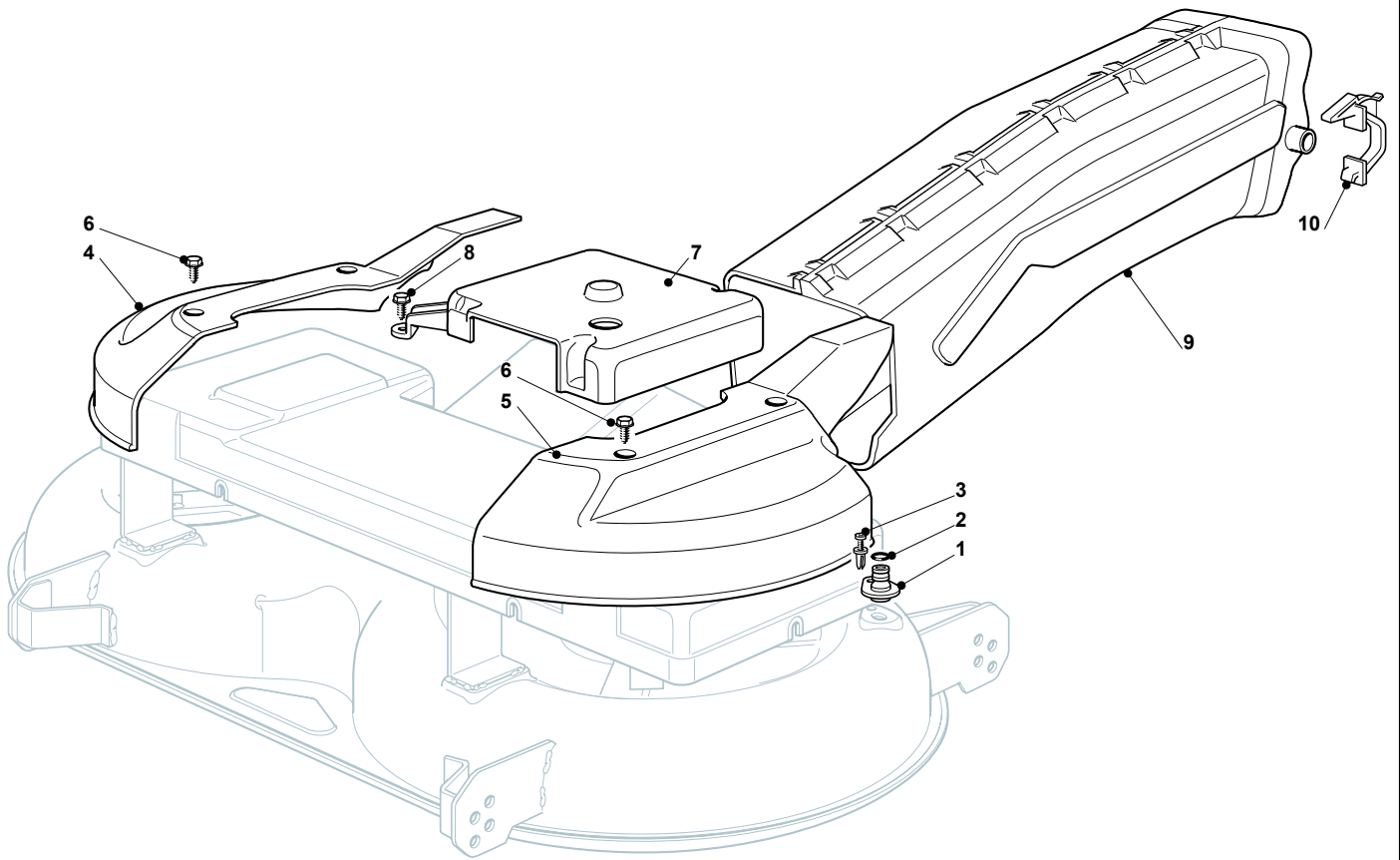




XT 220 HD

Cutting Plate

Pos.	Part no.	Q.ty	Description	Remarks
1	382564132/0	1	Cutting Plate Red	
2	25033060/0	2	Water Hose Connection	
3	19035000/0	2	Or Ring	
4	12500030/0	2	Rivet	
8	82207200/1	1	Main Shaft Support	
9	82207201/2	1	Secondary Shaft Support	
10	25020800/1	1	Main Blade Shaft	
11	25020801/2	1	Secondary Blade Shaft	
13	19216032/0	4	Bearing	
14	25160501/0	2	Dust Cover	
15	12609260/0	2	Seeger	
16	12818700/0	6	Screw	
17	12154210/0	6	Nut	
18	25463200/0	2	Blade Hub	
19	12139100/0	2	Feather, Crankshaft Ø 22.2	
20	82004348/0	1	Right Blade Mulching, Winged (Mod. 102)	
21	82004347/0	1	Left Blade Mulching, Winged (Mod. 102)	
22	22160400/0	2	Dust Cover	
23	12523080/0	2	Washer	
24	12735694/0	1	Screw	
25	12735695/1	1	Screw	
26	182700003/0	2	Anti Scalp Wheel Ø 80	
27	25510072/0	2	Spacer	
28	12692050/0	2	Screw	
29	12523060/0	2	Washer	
30	12293201/0	2	Nut	
31	182700004/0	2	Anti Scalp Wheel Ø 100	
32	125510121/0	2	Pin	
33	22450115/0	2	Spring	
34	12000930/0	2	Crown Fastener	
41	82004341/1	1	Right Blade, Winged (Mod. 102)	
42	82004340/1	1	Left Blade, Winged (Mod. 102)	
51	325140100/0	1	Deflector	
52	12815210/0	2	Screw	
53	25038002/1	2	Bush	
54	12154510/0	2	Nut	

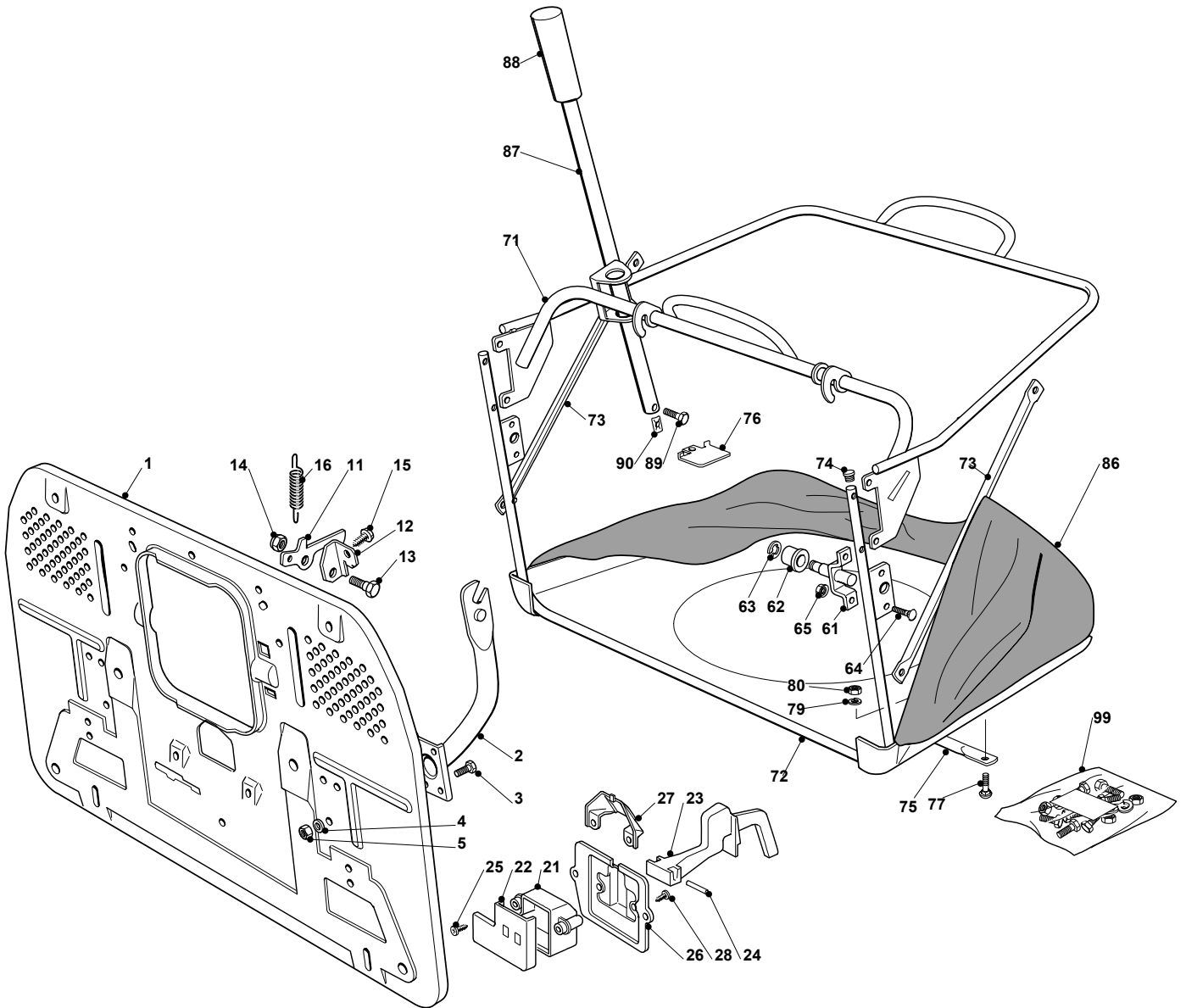




XT 220 HD

Guards And Conveyor

Pos.	Part no.	Q.ty	Description	Remarks
1	25033060/0	2	Water Hose Connection	
2	19035000/0	2	Or Ring	
3	12500030/0	2	Rivet	
4	25060104/0	1	Guard Black	
5	25060105/0	1	Guard Black	
6	12735403/0	4	Screw	
7	25600049/0	1	Guard	
8	12735403/0	3	Screw	
9	382108016/1	1	Conveyor	
10	25774373/0	2	Clamp	

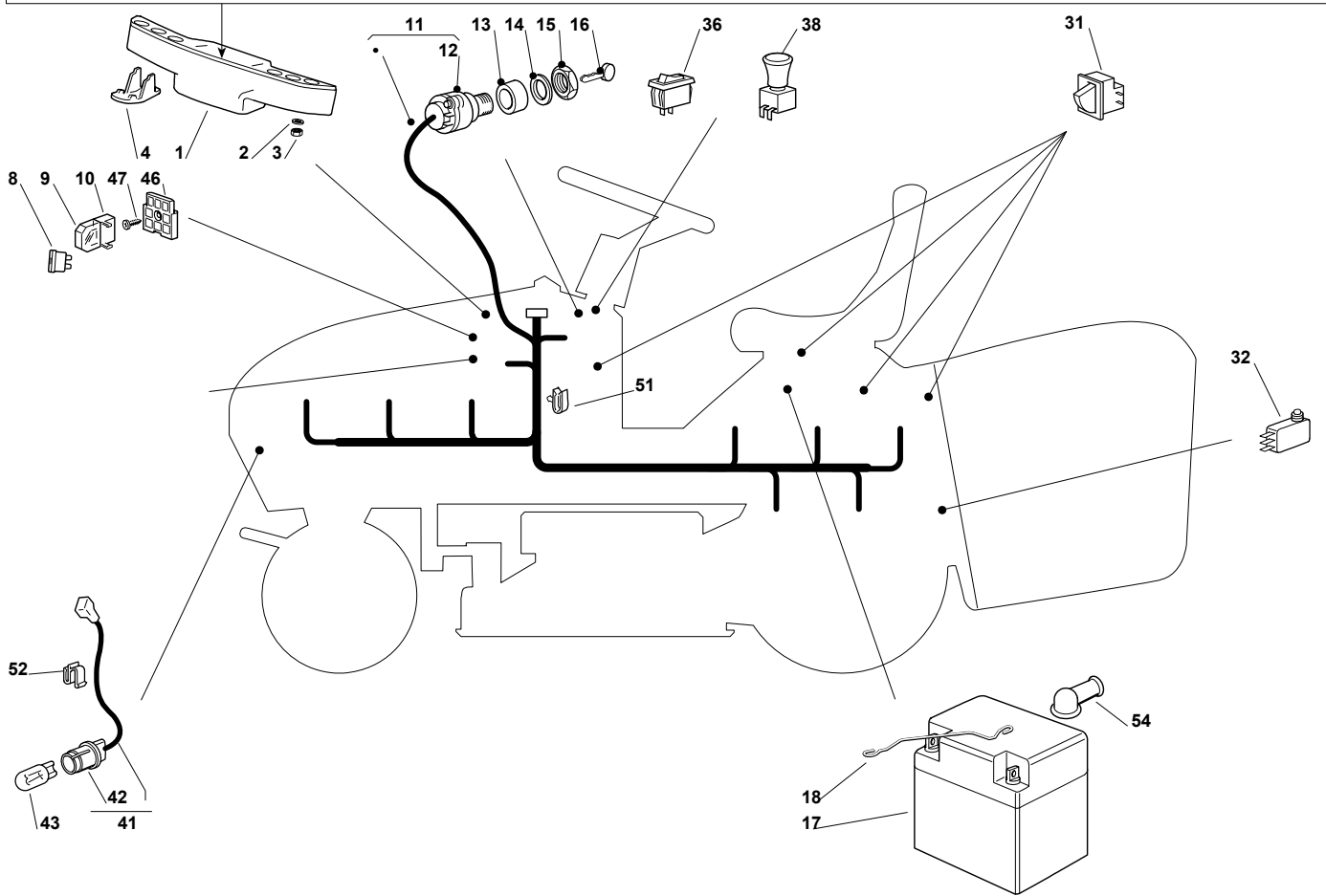
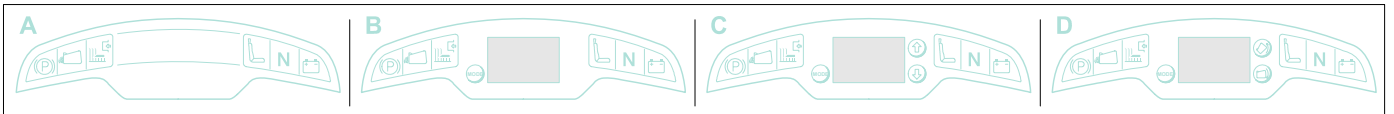




XT 220 HD

Grasscatcher

Pos.	Part no.	Q.ty	Description	Remarks
1	382547051/0	1	Plate	
2	82774225/1	2	Support	
3	12793102/0	6	Screw	
4	12523060/0	6	Washer	
5	12293201/0	6	Nut	
11	325774417/0	1	Clamp	
12	25755031/0	1	Bracket	
13	25510080/0	1	Pin	
14	12292102/0	1	Nut	
15	12735122/0	1	Screw	
16	27430579/0	1	Spring	
21	25600041/0	1	Micro Protection	
22	25600042/0	1	Protection Cover	
23	25318124/0	1	Lever	
24	12400030/0	1	Pin	
25	12728510/0	1	Screw	
26	25785272/0	1	Micro Protection	
27	25600048/0	1	Protection Cover	
28	12728450/0	2	Screw	
71	382800123/1	1	Upper Frame	
72	382800089/1	1	Front Frame	
73	325650117/0	2	Stiffening	
74	18566111/0	2	Cap	
75	82650043/0	1	Lower Stiffening	
76	25547131/0	1	Plate	
77	12815210/0	6	Screw	
79	12521330/0	2	Washer	
80	12154510/0	2	Nut	
86	182105948/0	1	Grasscatcher	
87	25869029/1	1	Rod	
88	25394508/0	1	Handle	
89	12788800/0	1	Screw	
90	112157000/0	1	Nut	
99	382180110/0	1	Screws Outfit	

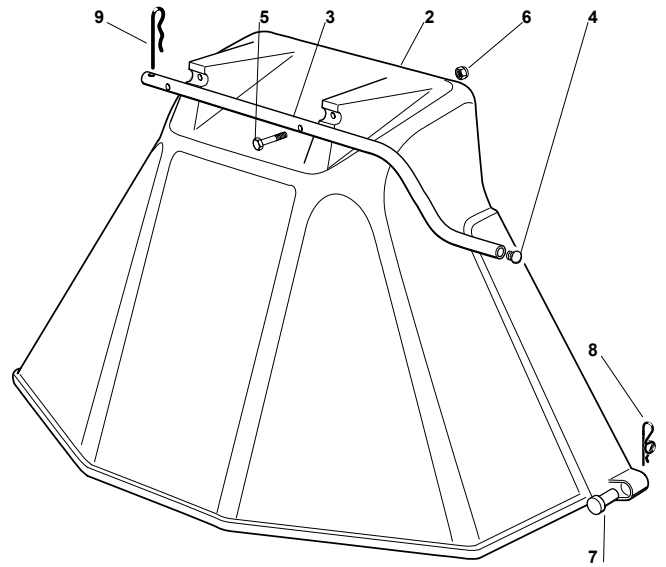
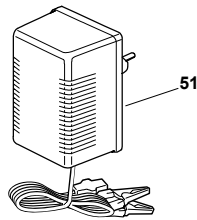
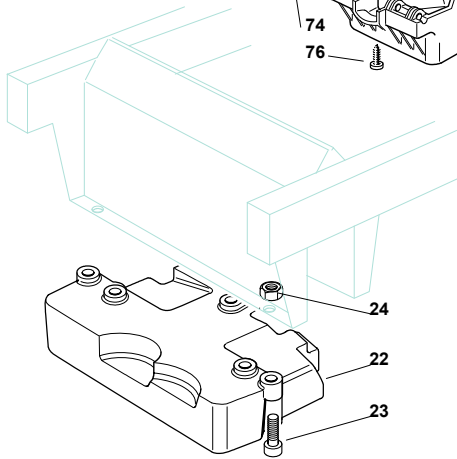
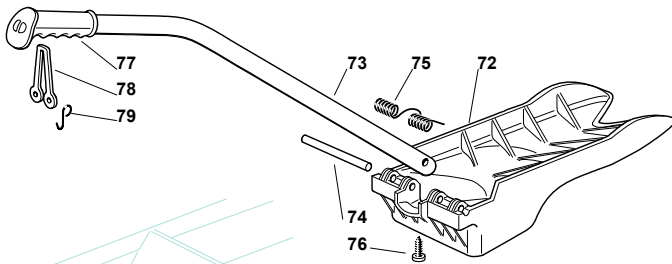
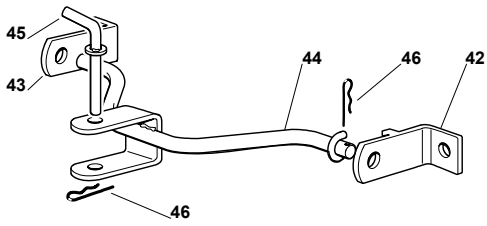




XT 220 HD

Electrical Parts

Pos.	Part no.	Q.ty	Description	Remarks
1	382722421/2	1	Cards + Guards (B)	
2	12521320/0	2	Washer	
3	12154330/0	2	Nut	
4	25031501/0	1	Deflector	
8	33340036/0	1	Fuse 25 A	
8	33340040/0	1	Fuse 10A	
9	33215000/0	2	Cover	
10	33500007/0	2	Fuse Carrier	
11	182040147/0	1	Cables Ass.Y	
12	18450072/0	1	Starting Switch	
13	18550136/0	1	Spacer	
14	18550135/0	1	Washer	
15	18400862/0	1	Ringnut	
16	18210022/0	1	Starting Key	
17	18120002/1	1	Battery	
18	25430230/0	1	Spring	
31	119410615/0	3	Micro	
32	19410605/1	1	Full Grasscat. Microsw.	
36	18450060/1	1	Farilamp Switch	
38	18450068/0	1	Clutch Switch	
41	82040073/0	1	Cable	
42	33500030/0	2	Lamp Holder	
43	18459100/0	2	Farilamp For Lights	
44	12361005/0	1	Nut	
46	133500010/1	1	Plate	
47	12735170/0	1	Screw	
51	33320506/0	5	Fairled	
52	33320504/0	1	Fairled	
54	18564864/1	1	Protection	

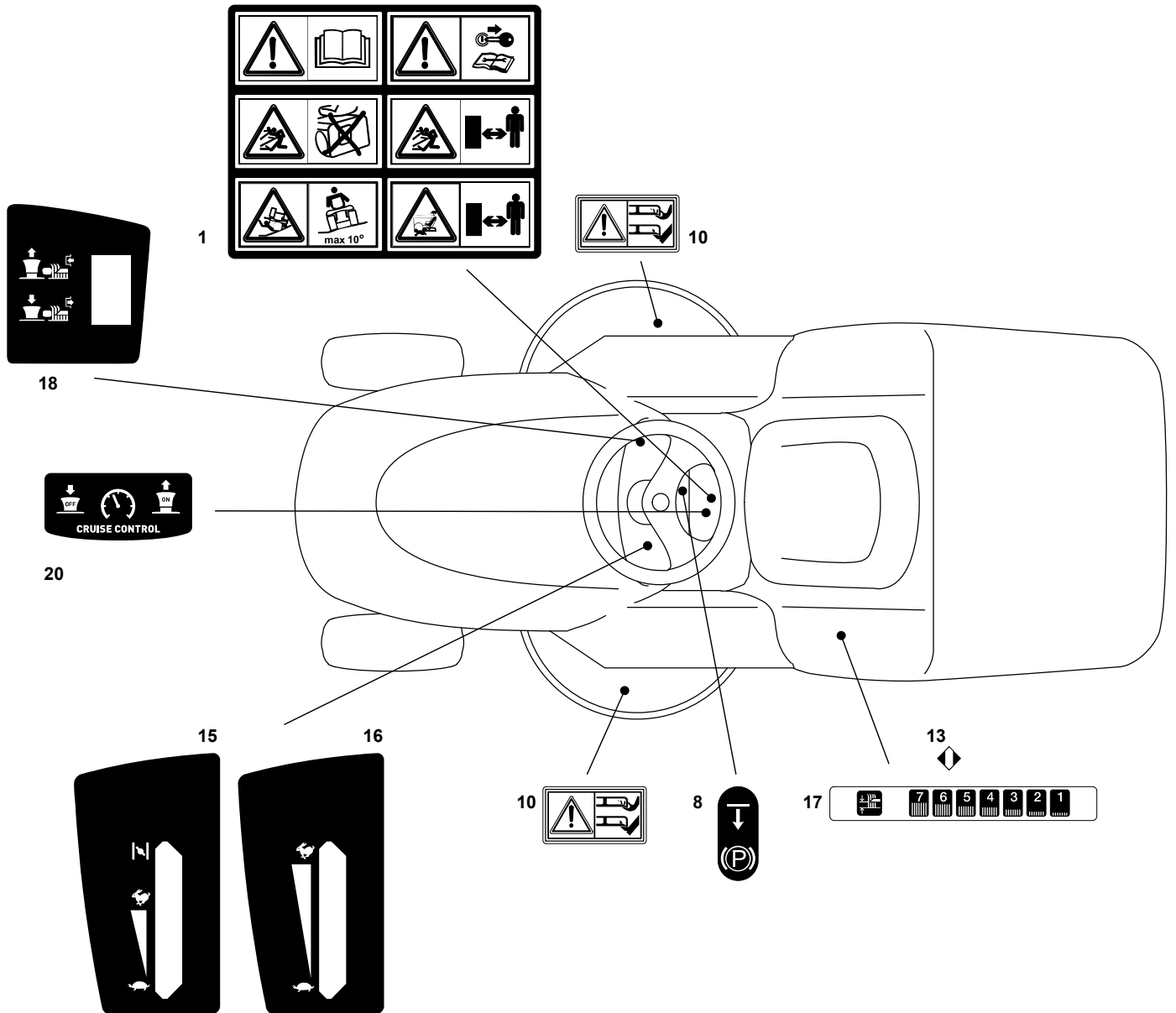




XT 220 HD

Optionals On Request

Pos.	Part no.	Q.ty	Description	Remarks
2	82400003/1	1	Ejection Guard	
3	25869043/0	1	Support	
4	18566112/0	2	Cap	
5	12689515/0	2	Screw	
6	12154510/0	2	Nut	
7	25510022/0	2	Pin	
8	24487998/0	2	Cotter Pin	
9	24487999/0	1	Cotter Pin	
22	25519997/1	1	Weight	
23	12760520/0	3	Screw	
24	12155000/0	3	Nut	
42	82735502/0	1	Bracket Right Hitch Support	
43	25774213/0	1	Bracket Left Hitch Support	
44	382033105/1	1	Rod	
45	25510021/1	1	Pin	
46	24487999/0	2	Cotter Pin	
51	82180050/0	1	Battery Charger	
72	325140097/0	1	Deflector	
73	25394005/0	1	Handle	
74	25510077/0	1	Pin	
75	25430245/0	1	Spring	
76	12735405/0	1	Screw	
77	25280000/1	1	Handgrip	
78	25840011/1	1	Elastic Tie-Rod	
79	25253004/0	2	Hook	

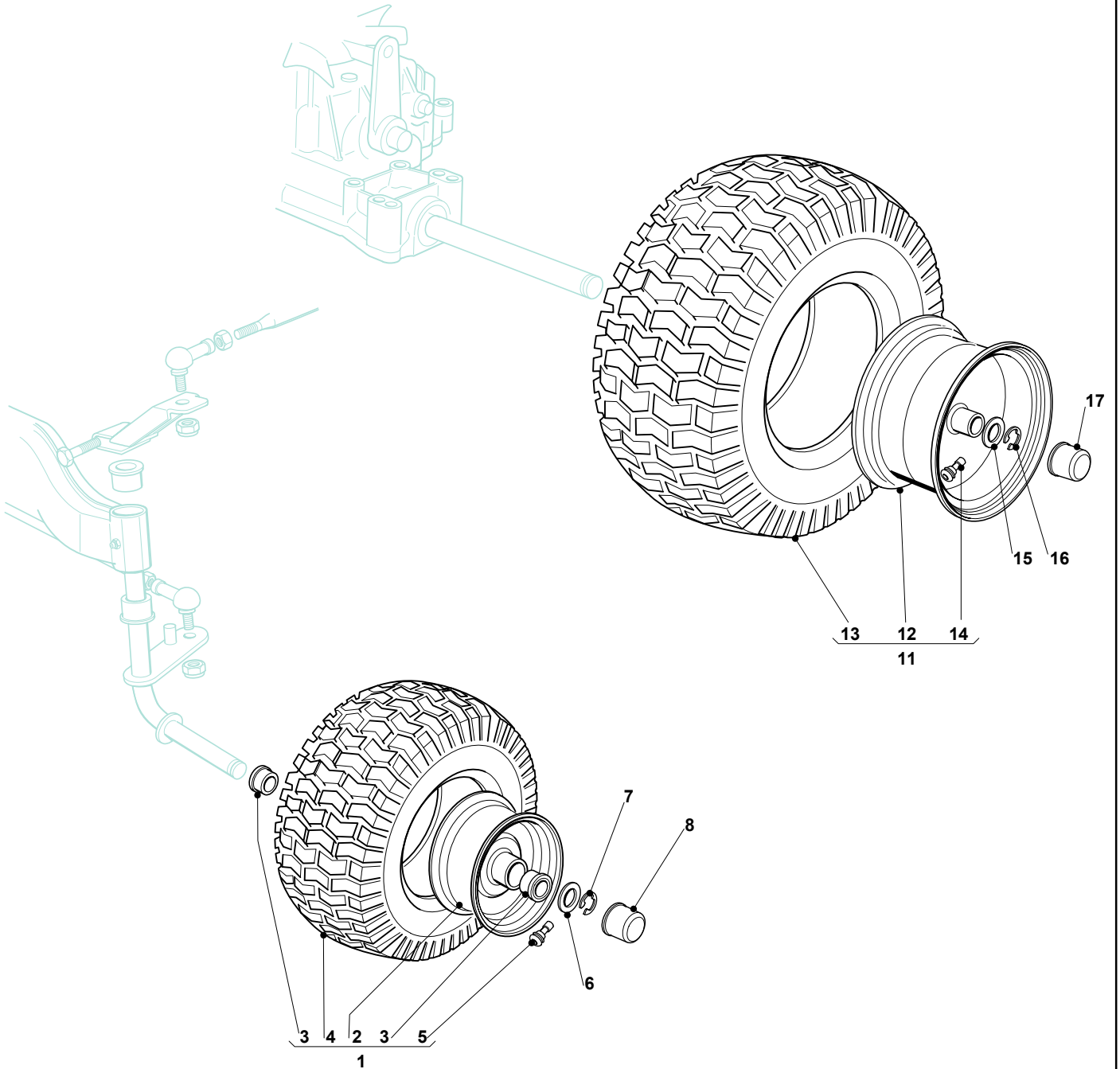




XT 220 HD

Labels

Pos.	Part no.	Q.ty	Description	Remarks
1	114357428/1	1	Label	
8	114357526/1	1	Label	
10	114356699/1	2	Label	
13	14357913/0	1	Label	
15	14360717/0	1	Label	
16	14360716/0	1	Label	
17	14360719/0	1	Label	
18	14360715/2	1	Label	
20	11436512/0	1	Label	





XT 220 HD

Wheels

Pos.	Part no.	Q.ty	Description	Remarks
1	82680008/1	2	Front Wheel	
2	82000590/1	2	Rimm	
3	25122200/2	4	Bearing	
4	27590053/0	2	Shoe Deli Tire	
5	25950000/0	2	Valve	
6	25670005/1	2	Washer	
7	12001000/0	2	Snap Ring	
8	22110230/0	2	Cap	
11	82680006/0	2	Rear Wheel	
12	82000592/0	2	Rimm	
13	25590003/0	2	Tire	
14	25950000/0	2	Valve	
15	25670005/1	2	Washer	
16	12001010/0	2	Benzing	
17	22110230/0	2	Cap	