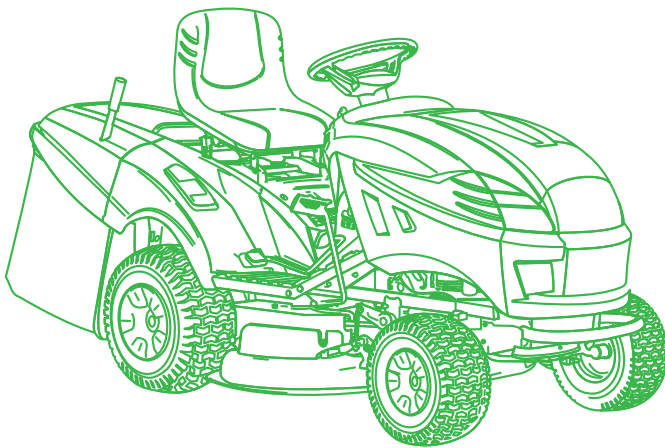


ILLUSTRATED PARTS LIST

NJR 102



- Use GLOBAL GARDEN PRODUCT Genuine Spare Parts specified in the parts list for repair and/or replacement.
- The contents described in the parts list may change due to improvement.
- The drawings of the spare parts are only indicative and might not represent the part in question exactly.
- The indications "right" - "left" - "front" - "rear" refer to the position of the operator when using the machine.
- When placing orders of parts for repair and/or replacement, make sure that the illustrated parts list is the one applying to the machine's year of manufacture, as shown on the identification plate attached to the machine.

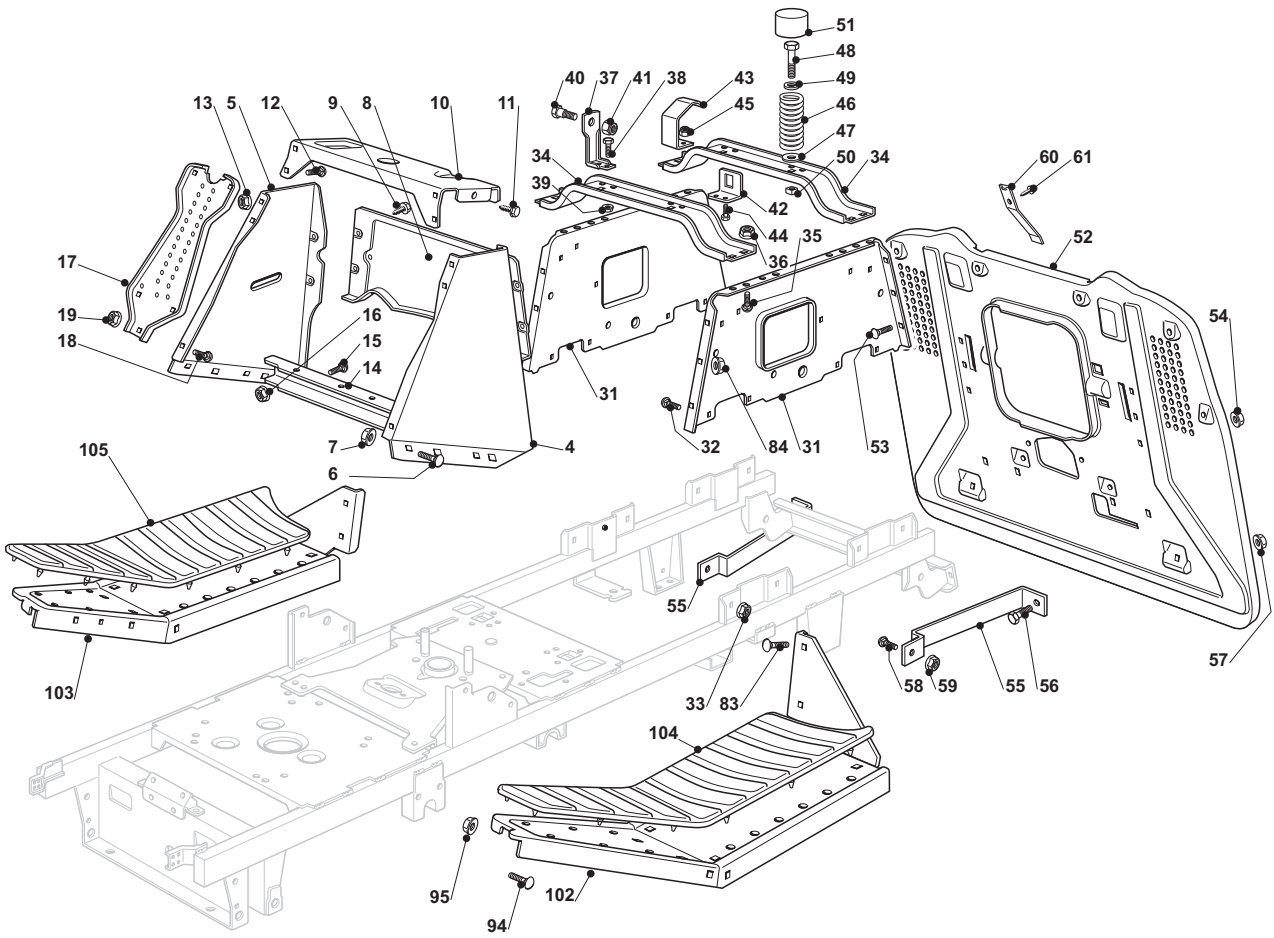
© Copyright 2012 Global Garden Products

All content is subject to copyright by Global Garden Products and may not be reproduced in whole or in part by any means, electronic or otherwise, without prior written approval.

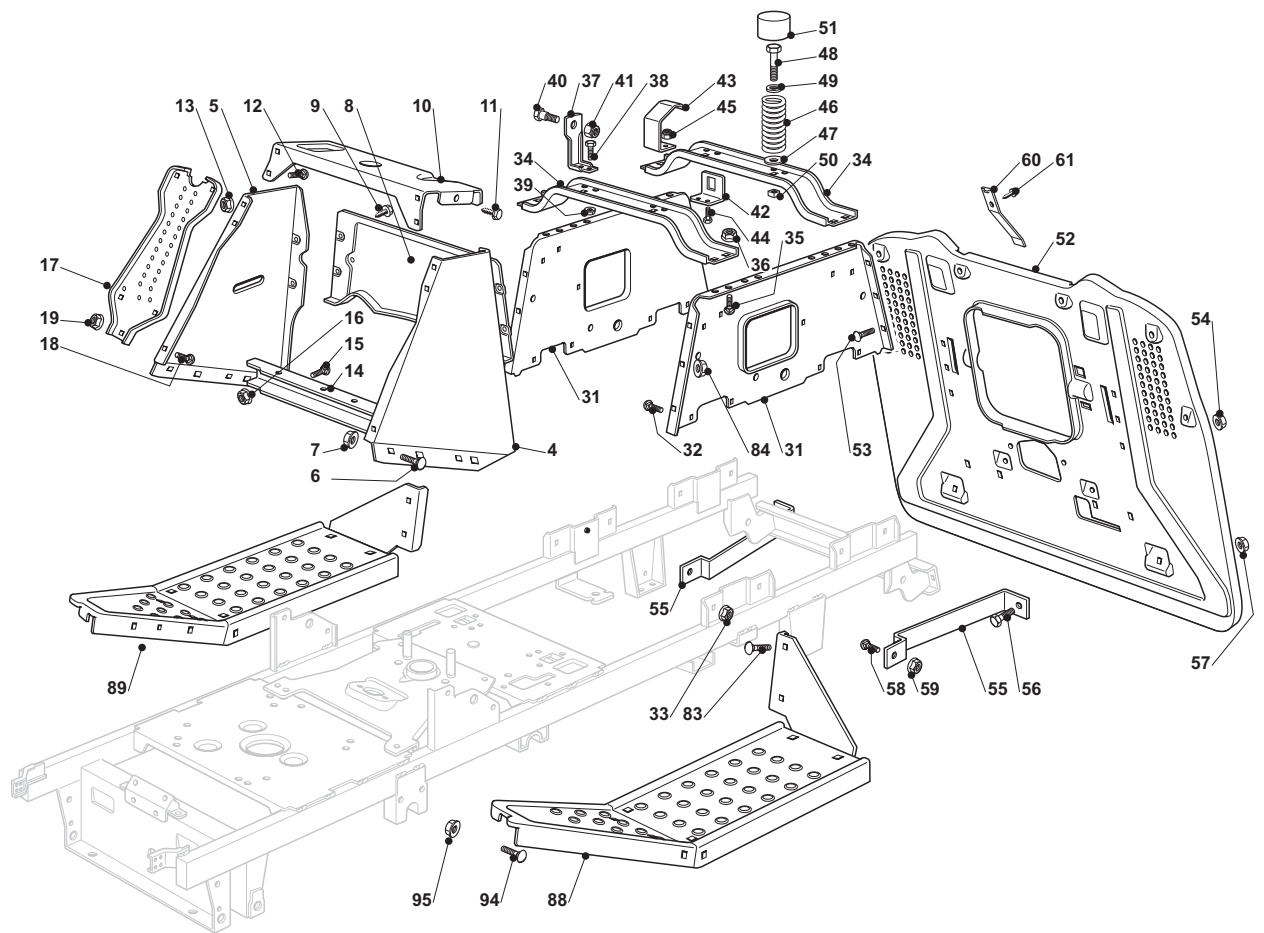
THIS INFORMATION IS NOT INTENDED FOR SALE OR RESALE, AND THIS NOTICE MUST REMAIN ON ALL COPIES.



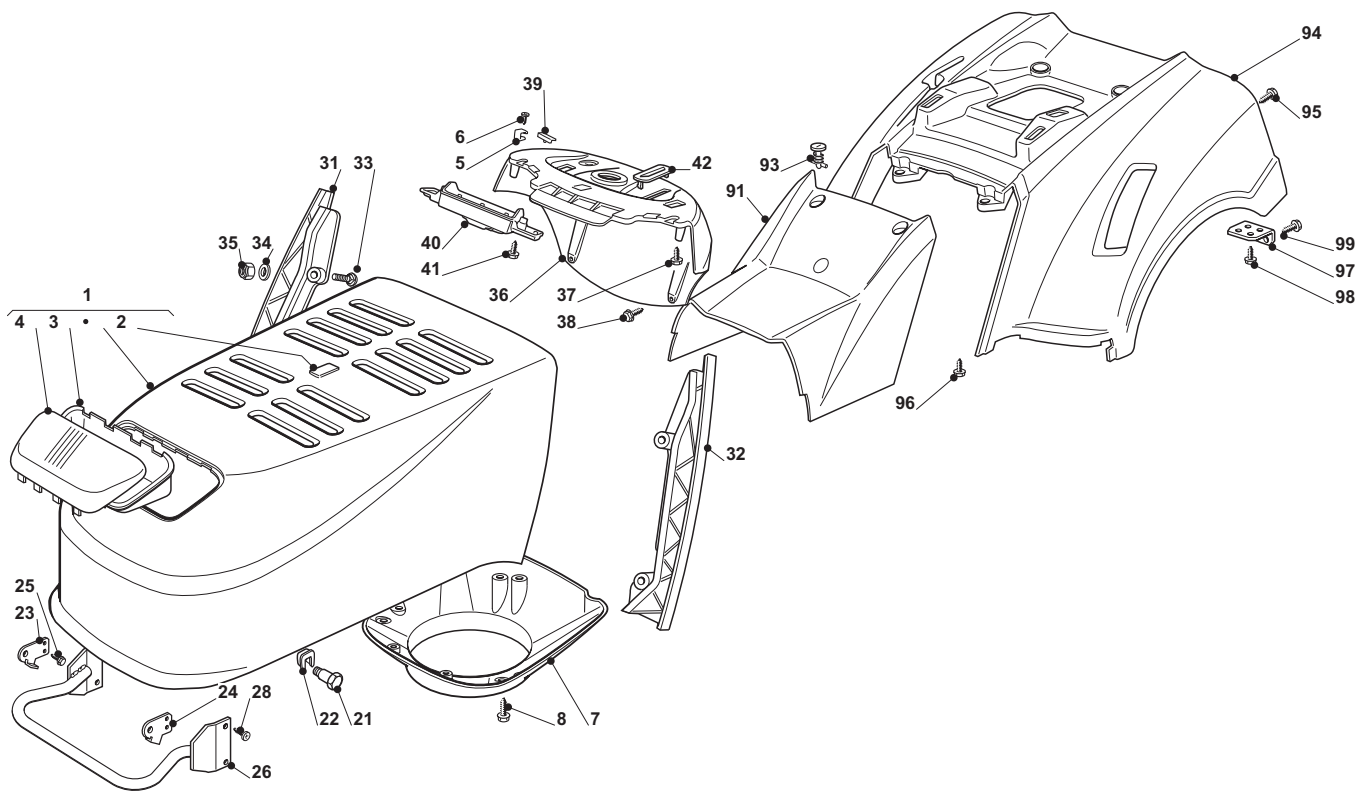
GLOBAL GARDEN PRODUCTS



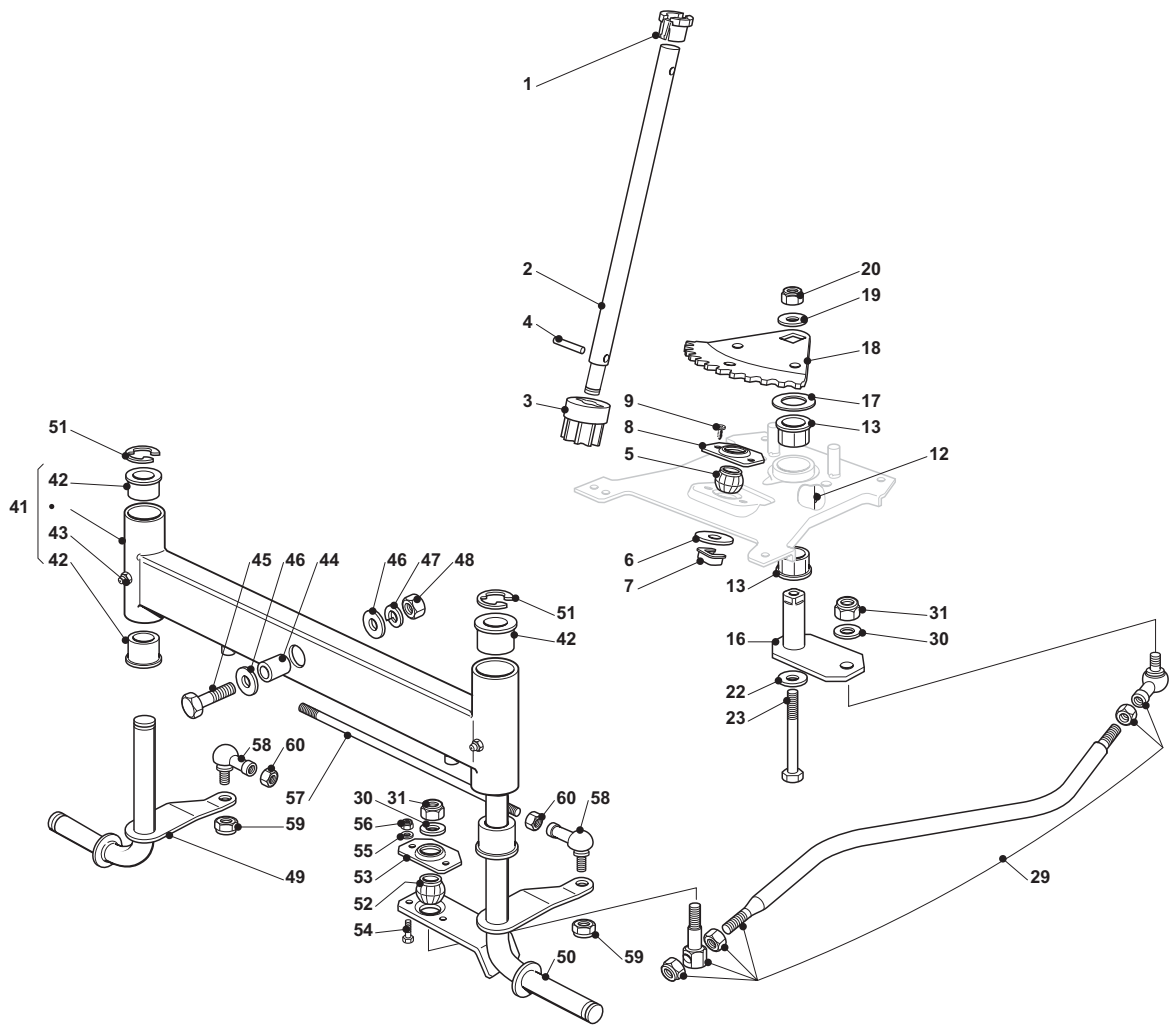
Chassis							
POS	CODE	Q.TY	DESCRIZIONE	DESCRIPTION	DESCRIPTION	BESCHREIBUNG	NOTES
4	325785243/1	1	Supp. Cruscotto Sin.	Left Dashboard Supp.	Support Tableau Gauche	Linker Konsolehalter	
5	25785245/0	1	Supp. Cruscotto Destro	Right Dashboard Supp.	Support Tableau Droite	Rechter Konsolehalter	
6	12818690/0	4	Vite	Screw	Vis	Schraube	
7	12293201/0	4	Dado	Nut	Ecrou	Mutter	
8	382785151/1	1	Supp. Cruscotto Posteriore	Rear Dashboard Supp	Support Tableau Arriere	Konsole Hinterrad	
9	12735110/0	4	Vite	Screw	Vis	Schraube	
10	25785255/0	1	Supp. Cruscotto Centr.	Central Dashboard Supp	Support Tableau Centr.	Zentr. Konsole Halter	
11	12735110/0	2	Vite	Screw	Vis	Schraube	
12	12815200/0	4	Vite	Screw	Vis	Schraube	
13	12292102/0	4	Dado	Nut	Ecrou	Mutter	
14	25785241/0	1	Supporto	Support	Support	Halter	
15	12815200/0	2	Vite	Screw	Vis	Schraube	
16	12292102/0	2	Dado	Nut	Ecrou	Mutter	
17	382785153/1	2	Supp. Cruscotto Anteriore	Front Dashboard Supp	Support Tableau Avant	Konsole Vorderrad	
18	12815200/0	2	Vite	Screw	Vis	Schraube	
19	12292102/0	2	Dado	Nut	Ecrou	Mutter	
31	325785249/1	2	Supporto Sedile	Seat Support	Support Siege	Sitzhalter	
32	12815200/0	8	Vite	Screw	Vis	Schraube	
33	12292102/0	8	Dado	Nut	Ecrou	Mutter	
34	325785257/1	2	Supporto Sedile	Seat Support	Support Siege	Sitzhalter	
35	12818690/0	8	Vite	Screw	Vis	Schraube	
36	12293201/0	8	Dado	Nut	Ecrou	Mutter	
37	25755039/0	2	Squadretta	Bracket	Equerre-Support	Winkel	
38	12792611/0	4	Vite	Screw	Vis	Schraube	
39	12293201/0	4	Dado	Nut	Ecrou	Mutter	
40	22524970/2	2	Perno	Pin	Pivot	Bolzen	
41	12155010/0	2	Dado	Nut	Ecrou	Mutter	
42	25755043/0	1	Squadretta	Bracket	Equerre-Support	Winkel	
43	25430253/0	1	Molla	Spring	Ressort	Feder	
44	12789000/0	2	Vite	Screw	Vis	Schraube	
45	12154330/0	2	Dado	Nut	Ecrou	Mutter	
46	125430257/1	2	Molla	Spring	Ressort	Feder	
47	12523070/0	2	Rondella	Washer	Rondelle	Scheibe	
48	12760515/0	2	Vite	Screw	Vis	Schraube	
49	22671653/0	2	Rosetta	Washer	Rondelle	Scheibe	
50	12360425/0	2	Dado	Nut	Ecrou	Mutter	
51	25122000/2	2	Cuffia	Hood	Protecteur	Schutzkasten	
52	382547041/1	1	Piastra	Plate	Plaque	Platte	
53	12792611/0	6	Vite	Screw	Vis	Schraube	
54	12293201/0	6	Dado	Nut	Ecrou	Mutter	
55	25650119/0	2	Rinforzo	Plate Stiffening	Renforcement Plaque	Platteverstaerkug	
56	12792611/0	2	Vite	Screw	Vis	Schraube	
57	12293201/0	2	Dado	Nut	Ecrou	Mutter	
58	12818690/0	2	Vite	Screw	Vis	Schraube	
59	12293201/0	2	Dado	Nut	Ecrou	Mutter	
60	27430554/0	1	Molla	Spring	Ressort	Feder	
61	12735110/0	1	Vite	Screw	Vis	Schraube	
83	12792611/0	4	Vite	Screw	Vis	Schraube	
84	12293201/0	4	Dado	Nut	Ecrou	Mutter	
94	12815200/0	4	Vite	Screw	Vis	Schraube	
95	12292102/0	4	Dado	Nut	Ecrou	Mutter	
102	382510083/0	1	Supporto Pedana Sinistro	Left Footboard Support	Support Marchepied Gauche	Linke Fussbretthalter	
103	382510081/0	1	Supporto Pedana Destro	Right Footboard Support	Support Marchepied Droite	Rechte Fussbretthalter	
104	25110327/0	1	Copripedana Sinistra	Left Footboard Cover	Couvre Marchepied Gau.	Linke Fussbrettdeckel	
105	25110326/0	1	Copripedana Destra	Right Footboard Cover	Couvre Marchepied Dro.	Rechte Fussbrettdeckel	



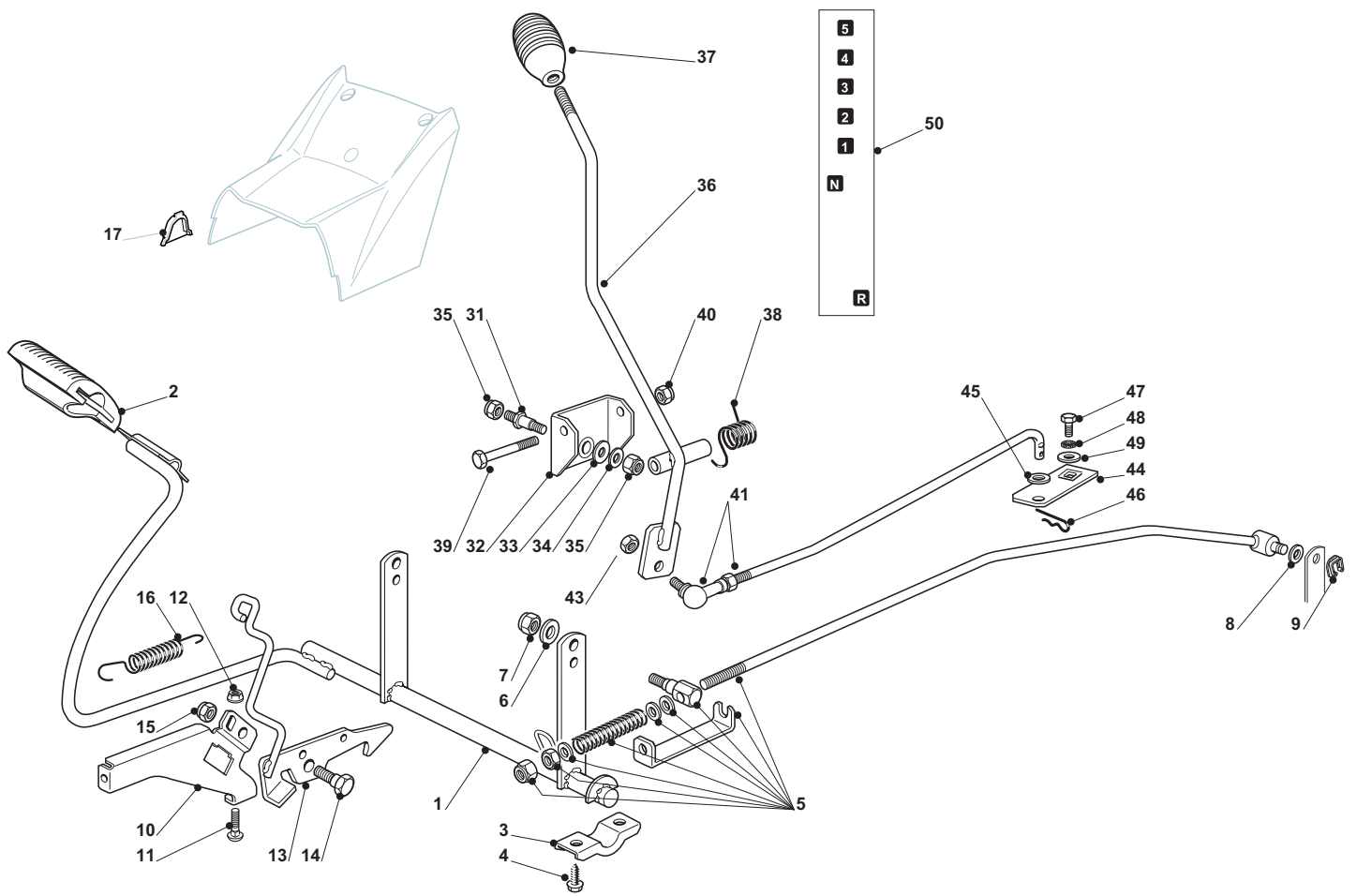
Chassis							
POS	CODE	Q.TY	DESCRIZIONE	DESCRIPTION	DESCRIPTION	BESCHREIBUNG	NOTES
4	325785243/1	1	Supp. Cruscotto Sin.	Left Dashboard Supp.	Support Tableau Gauche	Linker Konsolehalter	
5	25785245/0	1	Supp. Cruscotto Destro	Right Dashboard Supp.	Support Tableau Droite	Rechter Konsolehalter	
6	12818690/0	4	Vite	Screw	Vis	Schraube	
7	12293201/0	4	Dado	Nut	Ecrou	Mutter	
8	382785151/1	1	Supp. Cruscotto Posteriore	Rear Dashboard Supp	Support Tableau Arriere	Konsole Hinterrad	
9	12735110/0	4	Vite	Screw	Vis	Schraube	
10	25785255/0	1	Supp. Cruscotto Centr.	Central Dashboard Supp	Support Tableau Centr.	Zentr. Konsole Halter	
11	12735110/0	2	Vite	Screw	Vis	Schraube	
12	12815200/0	4	Vite	Screw	Vis	Schraube	
13	12292102/0	4	Dado	Nut	Ecrou	Mutter	
14	25785241/0	1	Supporto	Support	Support	Halter	
15	12815200/0	2	Vite	Screw	Vis	Schraube	
16	12292102/0	2	Dado	Nut	Ecrou	Mutter	
17	382785153/1	2	Supp. Cruscotto Anteriore	Front Dashboard Supp	Support Tableau Avant	Konsole Vorderrad	
18	12815200/0	2	Vite	Screw	Vis	Schraube	
19	12292102/0	2	Dado	Nut	Ecrou	Mutter	
31	325785249/1	2	Supporto Sedile	Seat Support	Support Siege	Sitzhalter	
32	12815200/0	8	Vite	Screw	Vis	Schraube	
33	12292102/0	8	Dado	Nut	Ecrou	Mutter	
34	325785257/1	2	Supporto Sedile	Seat Support	Support Siege	Sitzhalter	
35	12818690/0	8	Vite	Screw	Vis	Schraube	
36	12293201/0	8	Dado	Nut	Ecrou	Mutter	
37	25755039/0	2	Squadretta	Bracket	Equerre-Support	Winkel	
38	12792611/0	4	Vite	Screw	Vis	Schraube	
39	12293201/0	4	Dado	Nut	Ecrou	Mutter	
40	22524970/2	2	Perno	Pin	Pivot	Bolzen	
41	12155010/0	2	Dado	Nut	Ecrou	Mutter	
42	25755043/0	1	Squadretta	Bracket	Equerre-Support	Winkel	
43	25430253/0	1	Molla	Spring	Ressort	Feder	
44	12789000/0	2	Vite	Screw	Vis	Schraube	
45	12154330/0	2	Dado	Nut	Ecrou	Mutter	
46	125430257/1	2	Molla	Spring	Ressort	Feder	
47	12523070/0	2	Rondella	Washer	Rondelle	Scheibe	
48	12760515/0	2	Vite	Screw	Vis	Schraube	
49	22671653/0	2	Rosetta	Washer	Rondelle	Scheibe	
50	12360425/0	2	Dado	Nut	Ecrou	Mutter	
51	25122000/2	2	Cuffia	Hood	Protecteur	Schutzkasten	
52	382547041/1	1	Piastra	Plate	Plaque	Platte	
53	12792611/0	6	Vite	Screw	Vis	Schraube	
54	12293201/0	6	Dado	Nut	Ecrou	Mutter	
55	25650119/0	2	Rinforzo	Plate Stiffening	Renforcement Plaque	Platteverstaerkug	
56	12792611/0	2	Vite	Screw	Vis	Schraube	
57	12293201/0	2	Dado	Nut	Ecrou	Mutter	
58	12818690/0	2	Vite	Screw	Vis	Schraube	
59	12293201/0	2	Dado	Nut	Ecrou	Mutter	
60	27430554/0	1	Molla	Spring	Ressort	Feder	
61	12735110/0	1	Vite	Screw	Vis	Schraube	
83	12792611/0	4	Vite	Screw	Vis	Schraube	
84	12293201/0	4	Dado	Nut	Ecrou	Mutter	
88	382510079/0	1	Supporto Pedana Sinistro	Left Footboard Support	Support Marche pied Gauche	Linke Fussbretthalter	
89	382510077/0	1	Supporto Pedana Destro	Right Footboard Support	Support Marche pied Droite	Rechte Fussbretthalter	
94	12815200/0	4	Vite	Screw	Vis	Schraube	
95	12292102/0	4	Dado	Nut	Ecrou	Mutter	



Body							In parts list notes identify as model NJR
POS	CODE	Q.TY	DESCRIZIONE	DESCRIPTION	DESCRIPTION	BESCHREIBUNG	NOTES
1	82076817/2	1	Cofano Rosso	Engine Hood Red	Capot Rouge	Haubesatz Rot	
1	82076832/0	1	Cofano Giallo	Engine Hood Yellow	Capot Jaune	Haubesatz Gelb	
1	382076952/0	1	Cofano Nero	Engine Hood Black	Capot Noir	Haubesatz Schwarz	
2	25547104/0	1	Piastrina Gialla	Plate Red	Plaque Rouge	Platte Rot	
2	325076897/0	1	Piastrina Nera	Plate Black	Plaque Noir	Platte Schwarz	
2	25547016/2	1	Piastrina Rossa	Plate Red	Plaque Rouge	Platte Rot	
3	25485001/0	1	Parabola Fari	Lights Parabola	Parabole	Scheinwerferparabel	
4	25410865/0	1	Mascherina	Grill	Panneau	Schutz	
5	125430215/1	2	Molla Aggancio	Coupling Spring	Ressort Accrochage	Kupplungsfeder	
6	12728450/0	2	Vite	Screw	Vis	Schraube	
7	25108028/0	1	Convogliatore	Conveyor	Convoyeur	Konveyor	for models with engine GGP, B&S
8	12728686/0	3	Vite	Screw	Vis	Schraube	
21	25510039/0	2	Perno	Pin	Pivot	Bolzen	
22	12436050/0	2	Piastrina	Plate	Plaque	Platte	
23	325547089/1	1	Piastrina Destra	Right Plate	Plaque Droite	Rechte Platte	
24	325547091/1	1	Piastrina Sinistra	Left Plate	Plaque Gauche	Linke Platte	
25	12731580/0	4	Vite	Screw	Vis	Schraube	
26	82869031/0	1	Protezione Silenziatore	Muffler Protection	Protection Silencieux	Auspuffschutz	
28	12734995/0	4	Vite	Screw	Vis	Schraube	
31	25599008/0	1	Supp. Cruschetto Destro	Right Dashboard Supp.	Support Tableau Droite	Rechter Konsolehalter	
32	25599009/0	1	Supp. Cruschetto Sin.	Left Dashboard Supp.	Support Tableau Gauche	Linker Konsolehalter	
33	12815221/0	4	Vite	Screw	Vis	Schraube	
34	12521330/0	4	Rosetta	Washer	Rondelle	Scheibe	
35	12154510/0	4	Dado	Nut	Ecrou	Mutter	
36	25120189/0	1	Cruscotto	Dashboard	Tableau De Bord	Konsole	
37	12728440/0	2	Vite	Screw	Vis	Schraube	
38	12735402/0	2	Vite	Screw	Vis	Schraube	
39	25260000/0	2	Gommino	Grommet	Protection	Schutz	
40	25600074/0	1	Protezione Scheda	Card Protection	Protection De Carte	Karteschutz	
41	12735402/0	2	Vite	Screw	Vis	Schraube	
42	25547181/0	1	Piastrina	Plate	Plaque	Platte	
91	325110365/0	1	Copertura Centrale, Giallo	Cover, Yellow	Couvre, Jaune	Kappe, Gelb	
91	325110393/0	1	Copertura Centrale, Nero	Cover, Black	Couvre, Noir	Kappe, Schwarz	
91	325110363/0	1	Copertura Centrale, Rosso	Cover, Red	Couvre, Rouge	Kappe, Rot	
93	25580020/0	2	Perno	Pivot	Goujon	Stift	
94	25110323/0	1	Copertura Ruote, Giallo	Wheels Cover, Yellow	Couvre-Roues, Jaune	Radenkappe, Gelb	
94	325110392/0	1	Copertura Ruote, Nero	Wheels Cover, Black	Couvre-Roues, Noir	Radenkappe, Schwarz	
94	25110322/0	1	Copertura Ruote, Rosso	Wheels Cover, Red	Couvre-Roues, Rouge	Radenkappe, Rot	
95	12735402/0	4	Vite	Screw	Vis	Schraube	
96	12735402/0	2	Vite	Screw	Vis	Schraube	
97	25755041/0	2	Squadretta	Bracket	Equerre-Support	Winkel	
98	12728686/0	4	Vite	Screw	Vis	Schraube	
99	12735110/0	2	Vite	Screw	Vis	Schraube	



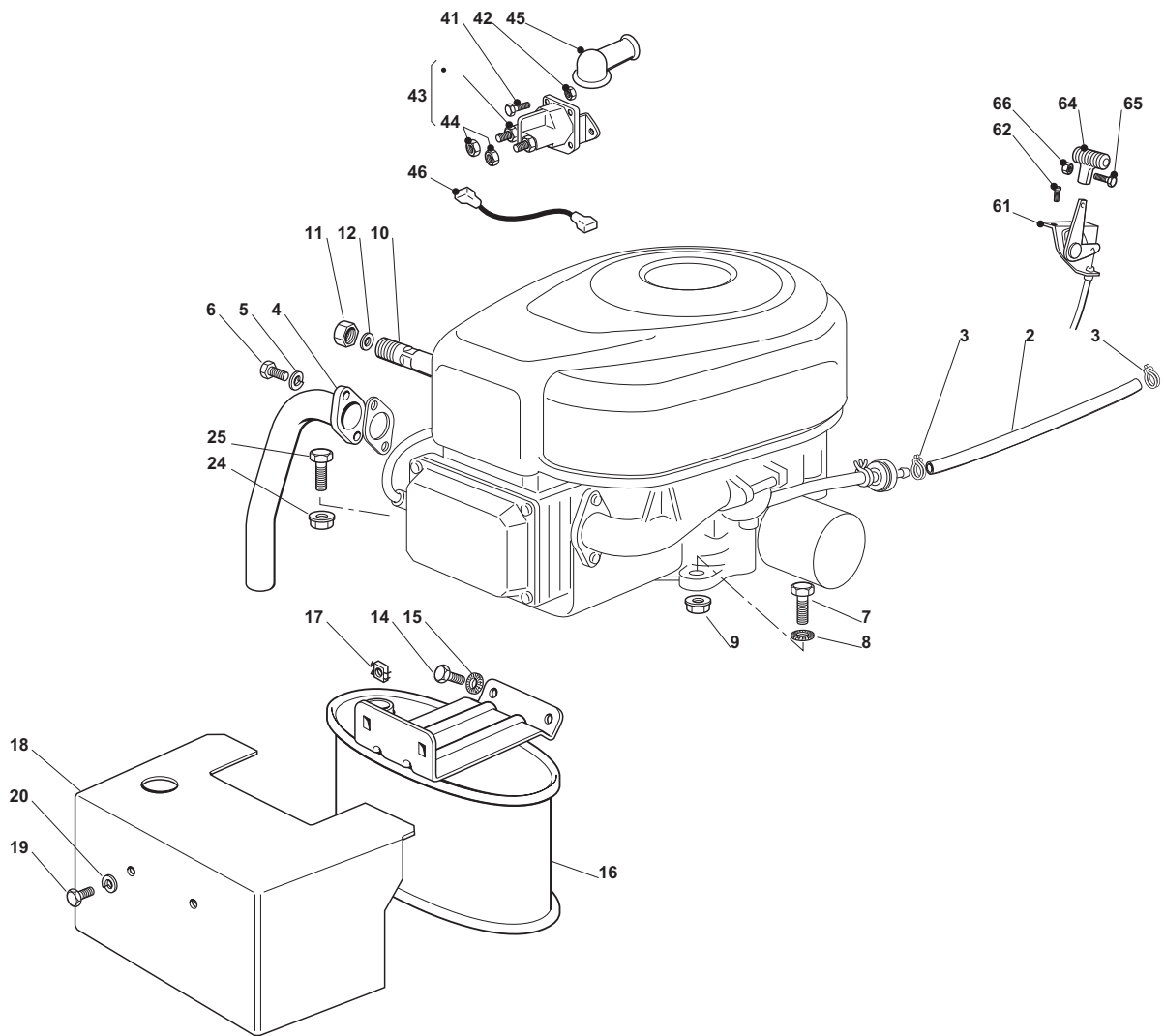
Steering							
POS	CODE	Q.TY	DESCRIZIONE	DESCRIPTION	DESCRIPTION	BESCHREIBUNG	NOTES
1	25038004/0	1	Boccola	Bush	Douille	Büchse	
2	125520006/1	1	Piantone	Steering Column	Tube De Direction	Lenkungsaeule	
3	27570050/0	1	Pignone	Pinion	Pignon	Ritzel	
4	12622650/0	1	Spina	Pin	Goupille	Stift	
5	25743000/0	1	Snodo	Joint	Joint	Gelenk	
6	12521370/0	1	Rondella	Washer	Rondelle	Scheibe	
7	12436030/0	1	Piastrina	Plate	Plaquette	Plattechen	
8	325785213/1	1	Supporto	Support	Support	Halter	
9	12729601/1	2	Vite	Screw	Vis	Schraube	
12	12379511/0	1	Ingrassatore	Grease Dispenser	Graisseur	Fettbüchse	
13	25040624/0	2	Bussola	Bush	Douille	Büchse	
16	382318249/0	1	Leva	Lever	Levier	Hebel	
17	25670019/0	1	Rosetta	Washer	Rondelle	Scheibe	
18	25735513/0	1	Settore	Steering Shaft	Arbre Direction	Lenkungswelle	
19	12523080/0	1	Rosetta	Washer	Rondelle	Scheibe	
20	12155020/0	1	Dado	Nut	Ecrou	Mutter	
22	125670027/0	1	Rosetta	Washer	Rondelle	Scheibe	
23	112794950/0	1	Vite	Screw	Vis	Schraube	
29	382000610/0	1	Asta Com. Sterzo	Steering Rod	Levier Barre De Direction	Lenkungsstab	
30	12523070/0	2	Rondella	Washer	Rondelle	Scheibe	
31	12155010/0	2	Dado	Nut	Ecrou	Mutter	
41	382034036/0	1	Bilanciere Con Boccola Ed Ingrassatore	Equalizer With Bush And Lubricator	Balancier Avec Douille Et Graisseur	Kipphebel Mit Büchse Und Fettbüchse	
42	25034002/1	4	Boccola	Bush	Douille	Büchse	
43	12379511/0	2	Ingrassatore	Grease Dispenser	Graisseur	Fettbüchse	
44	25160016/0	1	Distanziale	Spacer	Entretoise	Entfernungsstück	
45	12692695/0	1	Vite	Screw	Vis	Schraube	
46	12523100/0	2	Rondella	Washer	Rondelle	Scheibe	
47	12587100/0	1	Grower	Grower	Grower	Grower	
48	12295300/0	1	Dado	Nut	Ecrou	Mutter	
49	382230377/0	1	Fusello Destro	Right Stub Axle	Fuseau Droite	Rechter Achsschenkel	
50	382230379/0	1	Fusello Sinistro	Left Stub Axle	Fuseau Gauche	Linker Achsschenkel	
51	12001000/0	2	Anello Elastico	Snap Ring	Anneau Ressort	Sprengring	
52	25743000/0	1	Snodo	Joint	Joint	Gelenk	
53	325785213/1	1	Supporto	Support	Support	Halter	
54	12791213/1	2	Vite	Screw	Vis	Schraube	
55	12521330/0	2	Rosetta	Washer	Rondelle	Scheibe	
56	12154510/0	2	Dado	Nut	Ecrou	Mutter	
57	125840023/0	1	Tirante Colleg. Fuselli	Tie Rod	Tirant	Spannstange	
58	122746609/0	2	Snodo	Joint	Joint	Gelenk	
59	12156602/0	2	Dado	Nut	Ecrou	Mutter	
60	112295201/0	2	Dado	Nut	Ecrou	Mutter	



Brake And Gearbox Controls							
POS	CODE	Q.TY	DESCRIZIONE	DESCRIPTION	DESCRIPTION	BESCHREIBUNG	NOTES
1	382500035/0	1	Pedale	Pedal	Pedal	Pedal	
2	25110269/0	1	Copristaffa	Clamp Cover	Couvre Etrier	Bridedeckel	
3	27546015/1	2	Piastrina	Plate	Plaque	Platte	
4	12729601/1	4	Vite	Screw	Vis	Schraube	
5	382000541/1	1	Asta	Rod	Barre	Stange	
6	12523040/0	1	Rosetta	Washer	Rondelle	Scheibe	
7	12154510/0	1	Dado	Nut	Ecrou	Mutter	
8	12521350/0	1	Rondella	Washer	Rondelle	Scheibe	
9	12436050/0	1	Piastrina	Plate	Plaque	Platte	
10	25785261/0	1	Supporto	Support	Support	Halter	
11	12815200/0	2	Vite	Screw	Vis	Schraube	
12	12292102/0	2	Dado	Nut	Ecrou	Mutter	
13	82000531/0	1	Asta	Rod	Barre	Stange	
14	22524970/2	1	Perno	Pin	Pivot	Bolzen	
15	12155000/0	1	Dado	Nut	Ecrou	Mutter	
16	25430213/0	1	Molla	Spring	Ressort	Feder	
17	25207172/0	1	Piastrina (Mecc.)	Plate (Mech.)	Plaque (Mec.)	Platte (Mech.)	
31	25510035/0	1	Perno	Pin	Pivot	Bolzen	
32	82774247/0	1	Staffa	Clamp	Etrier	Bride	
33	22672152/0	1	Rondella	Washer	Rondelle	Scheibe	
34	12523060/0	1	Rondella	Washer	Rondelle	Scheibe	
35	12155010/0	2	Dado	Nut	Ecrou	Mutter	
36	382318247/0	1	Leva	Gearshift	Levier	Hebel	
37	25394510/0	1	Manopola	Knob	Poignee	Knopf	
38	25430258/0	1	Molla	Spring	Ressort	Feder	
39	12692050/0	1	Vite	Screw	Vis	Schraube	
40	12155000/0	1	Dado	Nut	Ecrou	Mutter	
41	382000545/0	1	Asta	Rod	Barre	Stange	
43	12155000/0	1	Dado	Nut	Ecrou	Mutter	
44	382000619/0	1	Leva	Gearshift	Levier	Hebel	
45	12521340/0	1	Rosetta	Washer	Rondelle	Scheibe	
46	24487997/0	1	Coppiglia	Cotter Pin	Goupille	Splint	
47	12735520/0	1	Vite	Screw	Vis	Schraube	
48	12540040/0	1	Rosetta	Washer	Rondelle	Scheibe	
49	22680009/0	1	Rondella	Washer	Rondelle	Scheibe	
50	14361447/0	1	Etichetta	Label	Etiquette	Klebzettel	

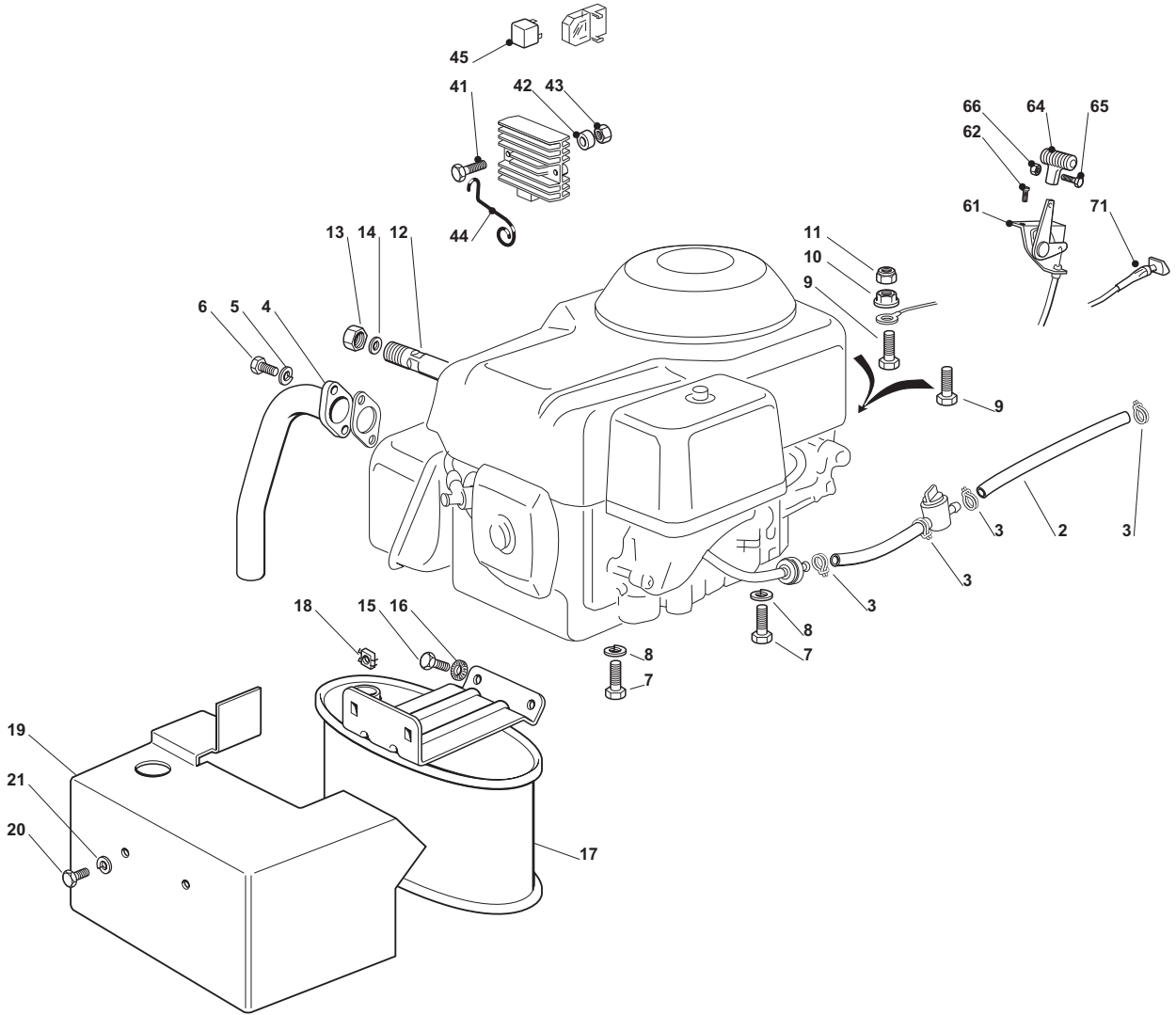
Engine - B&S 11.5 - 12.5 - 13.5 HP

POS	CODE	Q.TY	DESCRIZIONE	DESCRIPTION	DESCRIPTION	BESCHREIBUNG	NOTES
2	25869057/0	1	Tubo Collegamento (1000 Mm)	Connecting Tube (1000 Mm)	Tube De Connexion (1000 Mm)	Verbindungsrohr (1000 Mm)	
3	18375051/1	4	Fascetta	Fair Led	Fixation De Cable	Kabelbefestigung	
4	18738224/0	1	Tubo Scarico	Exhaust Tube	Tube Echappement	Abgasungrohr	
5	12583500/0	2	Grower	Grower	Grower	Grower	
6	12735530/0	2	Vite	Screw	Vis	Schraube	
7	12691115/0	1	Vite	Screw	Vis	Schraube	
8	12540260/0	1	Rondella	Washer	Rondelle	Scheibe	
9	12154210/0	1	Dado	Nut	Ecrou	Mutter	
10	25598050/0	1	Prolunga Scarico Olio	Oil Discharge Extension	Extension Dech. Huile	Öl Abfluss	
11	18737849/0	1	Tappo Per Prolunga	Oil Cap	Bouchon Huile	Oelverschluss	
12	18401001/1	1	Guarnizione	Oil Seal	Garniture	Dichtung	
14	12793102/0	2	Vite	Screw	Vis	Schraube	
15	12540260/0	2	Rondella	Washer	Rondelle	Scheibe	
16	182750010/0	1	Silenziatore	Muffler	Silenceux	Auspuff	
17	12360425/0	2	Dado	Nut (Mech.)	Ecrou	Mutter	
18	82598009/2	1	Protezione	Guard	Protection	Schutzze	
19	12792611/0	2	Vite	Screw	Vis	Schraube	
20	12583500/0	2	Grower	Grower	Grower	Grower	
24	12154210/0	3	Dado	Nut	Ecrou	Mutter	
25	12691100/0	3	Vite	Screw	Vis	Schraube	
41	12791213/1	2	Vite	Screw	Vis	Schraube	
42	12292102/0	2	Dado	Nut	Ecrou	Mutter	
43	18736110/0	1	Relé Avviamento	Starter Relay	Relais D'Allumage	Anlassrelais	
44	12360352/0	2	Dado	Nut	Ecrou	Mutter	
45	18564864/1	1	Cappuccio	Protection	Capuchon	Stecker	
46	25065017/0	1	Cavo Relé Avv.	Cable	Cable	Kabel	
61	82000200/1	1	Acceleratore	Accelerator	Accelérateur	Gas Zug	
62	125943012/0	2	Vite	Screw	Vis	Schraube	
64	25394501/0	1	Manopolina	Handle	Poigne	Griff	
65	12726388/0	1	Vite	Screw	Vis	Schraube	
66	12290800/0	1	Dado	Nut	Ecrou	Mutter	

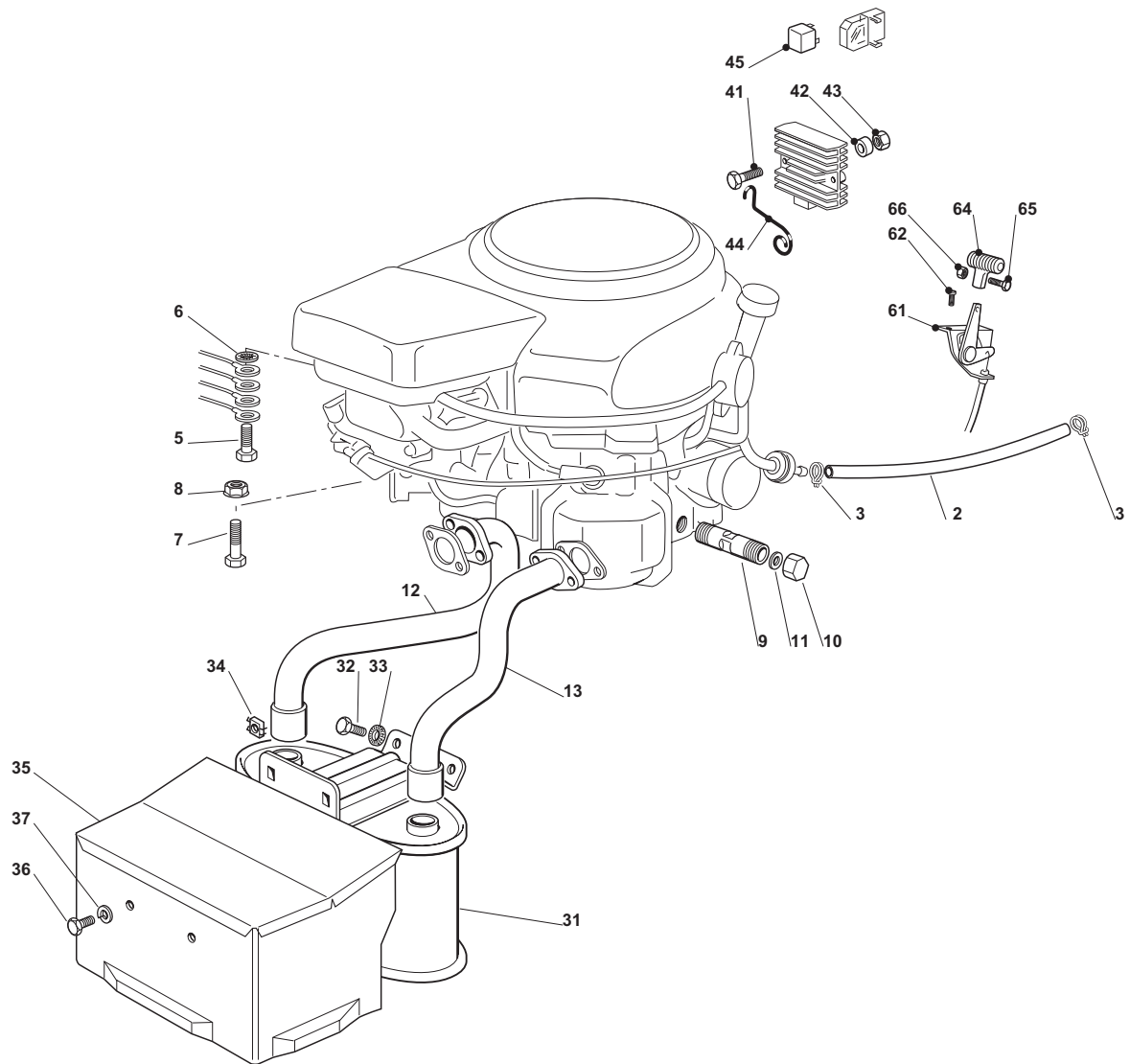


Engine - B&S 15.5 - 16.5 HP

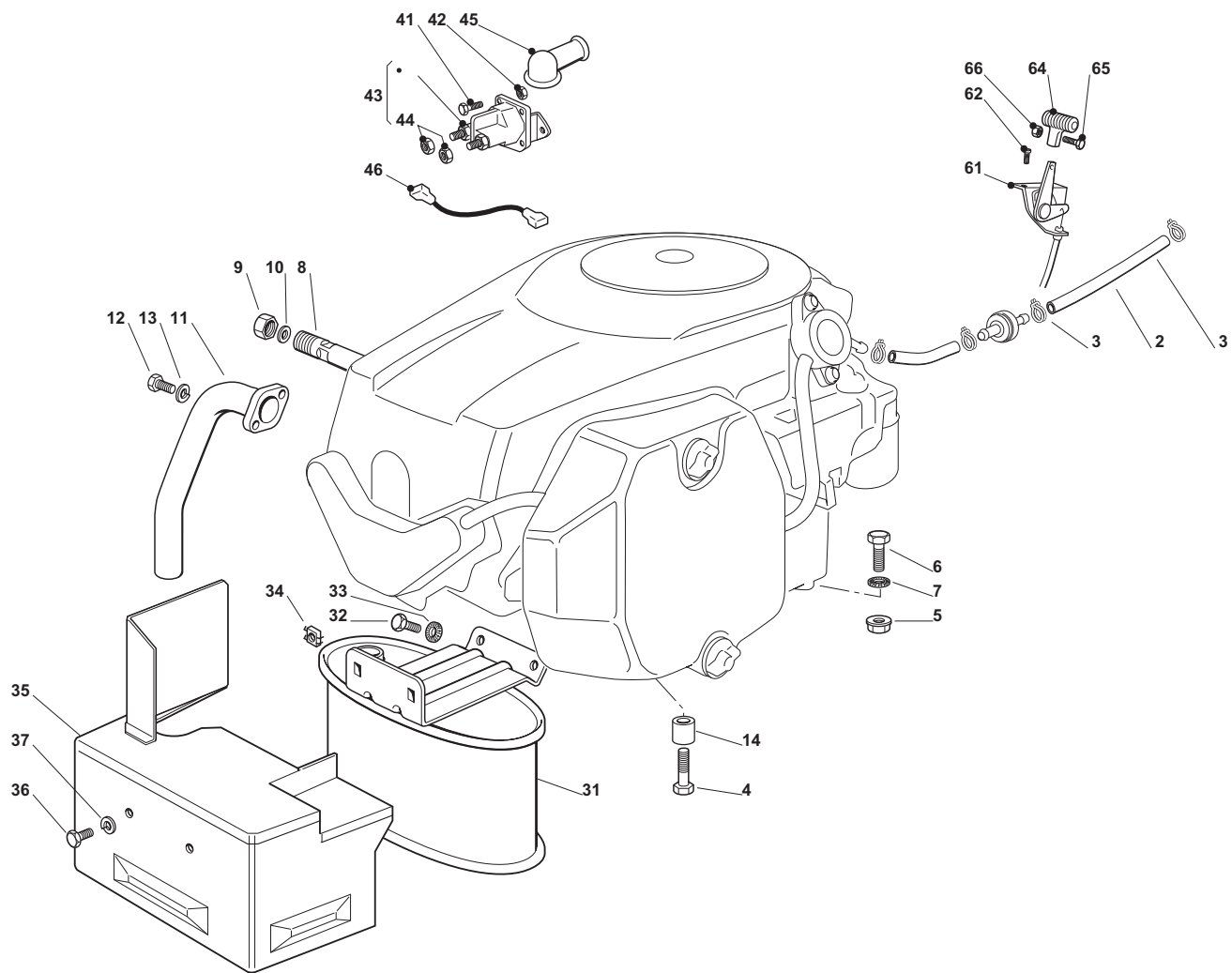
POS	CODE	Q.TY	DESCRIZIONE	DESCRIPTION	DESCRIPTION	BESCHREIBUNG	NOTES
2	25869057/0	1	Tubo Collegamento (1000 Mm)	Connecting Tube (1000 Mm)	Tube De Connexion (1000 Mm)	Verbindungsrohr (1000 Mm)	
3	18375051/1	2	Fascetta	Fair Led	Fixation De Cable	Kabelbefestigung	
4	18738206/0	1	Tubo Scarico	Exhaust Tube	Tube Echappement	Abgasungrohr	
5	12583500/0	2	Grower	Grower	Grower	Grower	
6	12735530/0	2	Vite	Screw	Vis	Schraube	
7	12691115/0	1	Vite	Screw	Vis	Schraube	
8	12540260/0	1	Rondella	Washer	Rondelle	Scheibe	
9	12154210/0	1	Dado	Nut	Ecrou	Mutter	
10	25598050/0	1	Prolunga Scarico Olio	Oil Discharge Extension	Extension Dech. Huile	Öl Abfluss	
11	18737849/0	1	Tappo Per Prolunga	Oil Cap	Bouchon Huile	Oelverschluss	
12	18401001/1	1	Guarnizione	Oil Seal	Garniture	Dichtung	
14	12793102/0	2	Vite	Screw	Vis	Schraube	
15	12540260/0	2	Rondella	Washer	Rondelle	Scheibe	
16	182750010/0	1	Silenziatore	Muffler	Silenceux	Auspuff	
17	12360425/0	2	Dado	Nut (Mech.)	Ecrou	Mutter	
18	82598009/2	1	Protezione	Guard	Protection	Schutzze	
19	12792611/0	2	Vite	Screw	Vis	Schraube	
20	12583500/0	2	Grower	Grower	Grower	Grower	
24	12154210/0	3	Dado	Nut	Ecrou	Mutter	
25	12691100/0	3	Vite	Screw	Vis	Schraube	
41	12791213/1	2	Vite	Screw	Vis	Schraube	
42	12292102/0	2	Dado	Nut	Ecrou	Mutter	
43	18736110/0	1	Relé Avviamento	Starter Relay	Relais D'Allumage	Anlassrelais	
44	12360352/0	2	Dado	Nut	Ecrou	Mutter	
45	18564864/1	1	Cappuccio	Protection	Capuchon	Stecker	
46	25065017/0	1	Cavo Relé Avv.	Cable	Cable	Kabel	
61	82000200/1	1	Acceleratore	Accelerator	Accelérateur	Gas Zug	
62	125943012/0	2	Vite	Screw	Vis	Schraube	
64	25394501/0	1	Manopolina	Handle	Poigne	Griff	
65	12726388/0	1	Vite	Screw	Vis	Schraube	
66	12290800/0	1	Dado	Nut	Ecrou	Mutter	



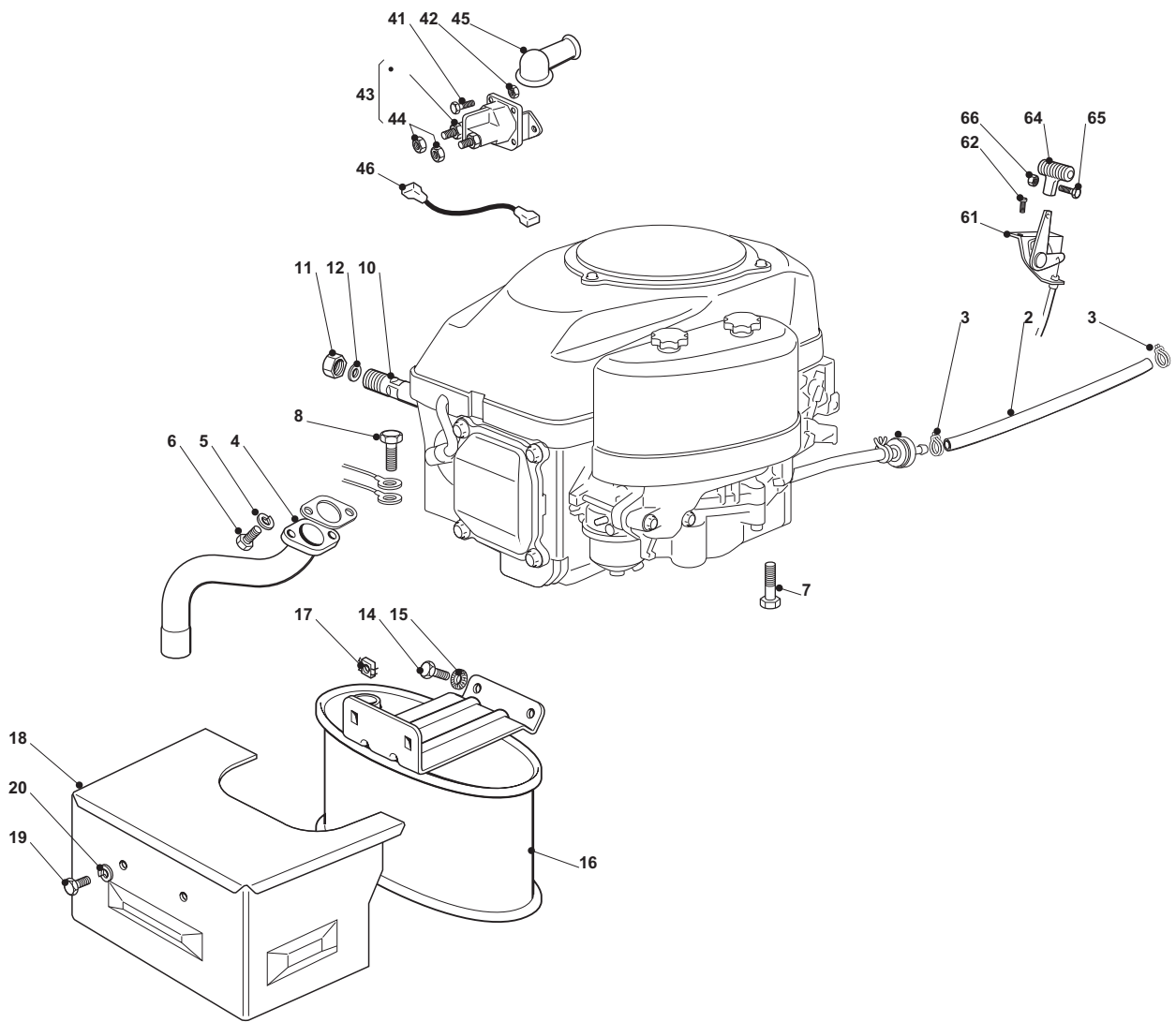
Engine - Honda GXV 390							
POS	CODE	Q.TY	DESCRIZIONE	DESCRIPTION	DESCRIPTION	BESCHREIBUNG	NOTES
2	25869057/0	1	Tubo Collegamento (1000 Mm)	Connecting Tube (1000 Mm)	Tube De Connexion (1000 Mm)	Verbindungsrohr (1000 Mm)	
3	18375051/1	4	Fascetta	Fair Led	Fixation De Cable	Kabelbefestigung	
4	18738204/0	1	Tubo Scarico	Exhaust Tube	Tube Echappement	Abgasungrohr	
5	12583500/0	2	Grower	Grower	Grower	Grower	
6	12793102/0	2	Vite	Screw	Vis	Schraube	
7	12735802/0	2	Vite	Screw	Vis	Schraube	
8	12583500/0	2	Grower	Grower	Grower	Grower	
9	12691100/0	2	Vite	Screw	Vis	Schraube	
10	12154210/0	2	Dado	Nut	Ecrou	Mutter	
11	12155000/0	1	Dado	Nut	Ecrou	Mutter	
12	27598061/1	1	Prolunga Scarico Olio	Oil Discharge Extension	Extension Rallonge De Dech. Huile	Öl Entlerungsverlaen Gerung	
13	18737849/0	1	Tappo Per Prolunga	Oil Cap	Bouchon Huile	Oelverschluss	
14	18401001/1	1	Guarnizione	Oil Seal	Garniture	Dichtung	
15	12792611/0	2	Vite	Screw	Vis	Schraube	
16	12540260/0	2	Rondella	Washer	Rondelle	Scheibe	
17	182750010/0	1	Silenziatore	Muffler	Silenceux	Auspuff	
18	12360425/0	2	Dado	Nut (Mech.)	Ecrou	Mutter	
19	82598003/1	1	Protezione	Guard	Protection	Schutze	
20	125943012/0	2	Vite	Screw	Vis	Schraube	
21	12583500/0	2	Grower	Grower	Grower	Grower	
41	12815221/0	2	Vite	Screw	Vis	Schraube	
42	22170950/0	2	Distanziale	Spacer	Entretoise	Entfernungsstück	
43	12292102/0	2	Dado	Nut	Ecrou	Mutter	
44	27430561/0	1	Molla	Spring	Ressort	Feder	
45	33567000/0	1	Rele'	Relay	Relais	Relais	
61	82000200/1	1	Acceleratore	Accelerator	Accelérateur	Gas Zug	
62	12788512/0	2	Vite	Screw	Vis	Schraube	
64	25394501/0	1	Manopolina	Handle	Poigne	Griff	
65	12726388/0	1	Vite	Screw	Vis	Schraube	
66	12290800/0	1	Dado	Nut	Ecrou	Mutter	
71	125090007/0	1	Comando Starter	Choke Control	Commande Starter	Starter Betaetigung	



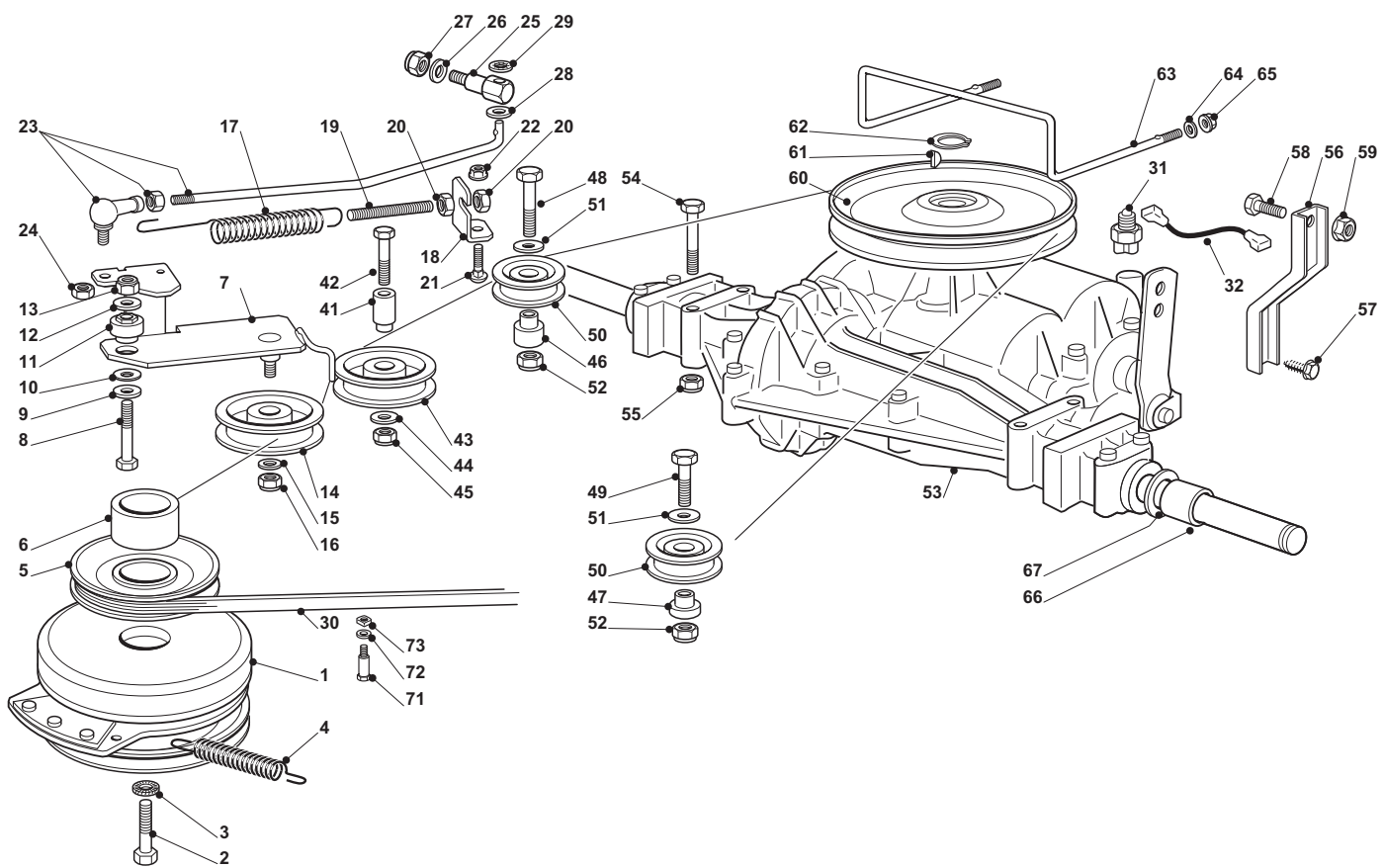
Engine - Honda GCV 530							
POS	CODE	Q.TY	DESCRIZIONE	DESCRIPTION	DESCRIPTION	BESCHREIBUNG	NOTES
2	25869057/0	1	Tubo Collegamento (1000 Mm)	Connecting Tube (1000 Mm)	Tube De Connexion (1000 Mm)	Verbindungsrohr (1000 Mm)	
3	18375051/1	2	Fascetta	Fair Led	Fixation De Cable	Kabelbefestigung	
5	12735599/0	1	Vite	Screw	Vis	Schraube	
6	12540260/0	1	Rondella	Washer	Rondelle	Scheibe	
7	12691115/0	4	Vite	Screw	Vis	Schraube	
8	12154210/0	4	Dado	Nut	Ecrou	Mutter	
9	125598052/1	1	Prolunga Scarico Olio	Oil Discharge Extension	Extension Dech. Huile	Öl Abfluss	
10	18737849/0	1	Tappo Per Prolunga	Oil Cap	Bouchon Huile	Oelverschluss	
11	18401001/1	1	Guarnizione	Oil Seal	Garniture	Dichtung	
12	18738221/0	1	Tubo Scarico Destro	Exhaust Tube Right	Tube Echappement Droit	Abgasungrohr, Rechte	
13	18738222/0	1	Tubo Scarico Sinistro	Exhaust Tube Left	Tube Echappement Gau.	Abgasungrohr, Linke	
31	82750003/0	1	Silenziatore	Muffler	Silenceux	Auspuff	
32	12793102/0	2	Vite	Screw	Vis	Schraube	
33	12540260/0	2	Rondella	Washer	Rondelle	Scheibe	
34	12360425/0	2	Dado	Nut (Mech.)	Ecrou	Mutter	
35	82598005/2	1	Protezione	Guard	Protection	Schutze	
36	12792611/0	2	Vite	Screw	Vis	Schraube	
37	12583500/0	2	Grower	Grower	Grower	Grower	
41	12815221/0	2	Vite	Screw	Vis	Schraube	
42	22170950/0	2	Distanziale	Spacer	Entretoise	Entfernungsstück	
43	12292102/0	2	Dado	Nut	Ecrou	Mutter	
44	27430561/0	1	Molla	Spring	Ressort	Feder	
45	33567000/0	1	Rele'	Relay	Relais	Relais	
61	82000200/1	1	Acceleratore	Accelerator	Accelérateur	Gas Zug	
62	125943012/0	2	Vite	Screw	Vis	Schraube	
64	25394501/0	1	Manopolina	Handle	Poigne	Griff	
65	12726388/0	1	Vite	Screw	Vis	Schraube	
66	12290800/0	1	Dado	Nut	Ecrou	Mutter	



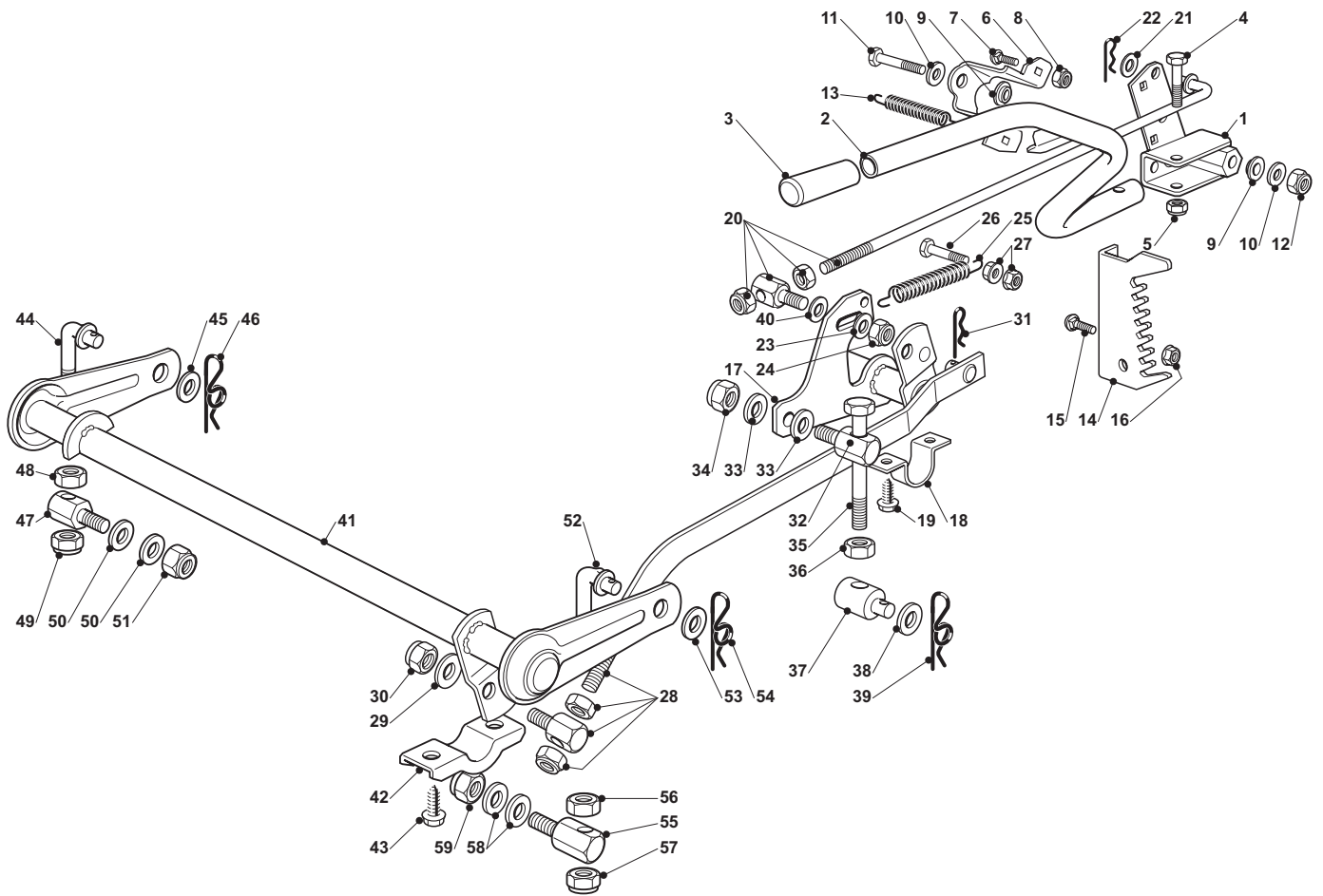
Engine - Kohler 16 HP							
POS	CODE	Q.TY	DESCRIZIONE	DESCRIPTION	DESCRIPTION	BESCHREIBUNG	NOTES
2	25869057/0	1	Tubo Collegamento (1000 Mm)	Connecting Tube (1000 Mm)	Tube De Connexion (1000 Mm)	Verbindungsrohr (1000 Mm)	
3	18375051/1	2	Fascetta	Fair Led	Fixation De Cable	Kabelbefestigung	
4	112735108/1	3	Vite	Screw	Vis	Schraube	
5	12154210/0	1	Dado	Nut	Ecrou	Mutter	
6	12691115/0	1	Vite	Screw	Vis	Schraube	
7	12540260/0	1	Rondella	Washer	Rondelle	Scheibe	
8	27598060/0	1	Prolunga Scarico Olio	Oil Discharge Extension	Extension Dech. Huile	Öl Abfluss	
9	18737849/0	1	Tappo Per Prolunga	Oil Cap	Bouchon Huile	Oelverschluss	
10	18401001/1	1	Guarnizione	Oil Seal	Garniture	Dichtung	
11	18738227/0	1	Tubo Scarico	Exhaust Tube	Tube Echappement	Abgasungrohr	
12	12735530/0	2	Vite	Screw	Vis	Schraube	
13	12583500/0	2	Grower	Grower	Grower	Grower	
14	25160035/0	3	Distanziale	Spacer	Entretoise	Entfernungsstück	
31	182750010/0	1	Silenziatore	Muffler	Silenceux	Auspuff	
32	12793102/0	2	Vite	Screw	Vis	Schraube	
33	12540260/0	2	Rondella	Washer	Rondelle	Scheibe	
34	12360425/0	2	Dado	Nut (Mech.)	Ecrou	Mutter	
35	82598029/0	1	Protezione	Guard	Protection	Schutze	
36	12792611/0	2	Vite	Screw	Vis	Schraube	
37	12583500/0	2	Grower	Grower	Grower	Grower	
41	12791213/1	2	Vite	Screw	Vis	Schraube	
42	12292102/0	2	Dado	Nut	Ecrou	Mutter	
43	18736110/0	1	Relé Avviamento	Starter Relay	Relais D'Allumage	Anlassrelais	
44	12360352/0	2	Dado	Nut	Ecrou	Mutter	
45	18564864/1	1	Cappuccio	Protection	Capuchon	Stecker	
46	25065017/0	1	Cavo Relé Avv.	Cable	Cable	Kabel	
61	82000200/1	1	Acceleratore	Accelerator	Accelérateur	Gas Zug	
62	125943012/0	2	Vite	Screw	Vis	Schraube	
64	25394501/0	1	Manopolina	Handle	Poigne	Griff	
65	12726388/0	1	Vite	Screw	Vis	Schraube	
66	12290800/0	1	Dado	Nut	Ecrou	Mutter	



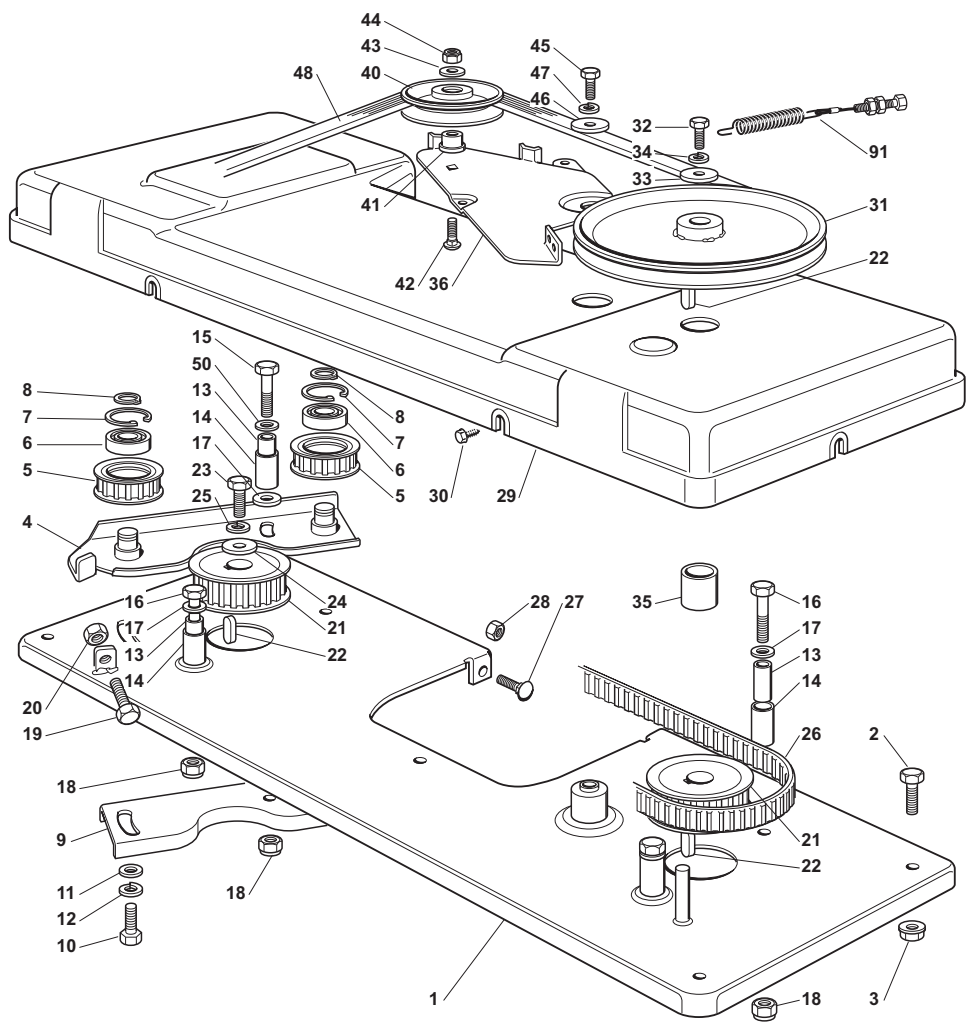
Engine - GGP							
POS	CODE	Q.TY	DESCRIZIONE	DESCRIPTION	DESCRIPTION	BESCHREIBUNG	NOTES
2	25869057/0	1	Tubo Collegamento (1000 Mm)	Connecting Tube (1000 Mm)	Tube De Connexion (1000 Mm)	Verbindungsrohr (1000 Mm)	
3	18375051/1	4	Fascetta	Fair Led	Fixation De Cable	Kabelbefestigung	
4	118738231/1	1	Tubo Scarico	Exhaust Tube	Tube Echappement	Abgasrohr	
5	12583500/0	2	Grower	Grower	Grower	Grower	
6	12737450/0	2	Vite	Screw	Vis	Schraube	
7	112735108/1	4	Vite	Screw	Vis	Schraube	
8	12735599/0	1	Vite	Screw	Vis	Schraube	
10	27598060/0	1	Prolunga Scarico Olio	Oil Discharge Extension	Extension Dech. Huile	Öl Abfluss	
11	18737849/0	1	Tappo Per Prolunga	Oil Cap	Bouchon Huile	Ölverschluss	
12	18401001/1	1	Guarnizione	Oil Seal	Garniture	Dichtung	
14	12793102/0	2	Vite	Screw	Vis	Schraube	
15	12540260/0	2	Rondella	Washer	Rondelle	Scheibe	
16	182750010/0	1	Silenziatore	Muffler	Silenceux	Auspuff	
17	12360425/0	2	Dado	Nut (Mech.)	Ecrou	Mutter	
18	382598039/0	1	Protezione	Guard	Protection	Schutze	
19	12792611/0	2	Vite	Screw	Vis	Schraube	
20	12583500/0	2	Grower	Grower	Grower	Grower	
41	12791213/1	2	Vite	Screw	Vis	Schraube	
42	12292102/0	2	Dado	Nut	Ecrou	Mutter	
43	18736110/0	1	Relé Avviamento	Starter Relay	Relais D'Allumage	Anlassrelais	
44	12360352/0	2	Dado	Nut	Ecrou	Mutter	
45	18564864/1	1	Cappuccio	Protection	Capuchon	Stecker	
46	25065017/0	1	Cavo Relé Avv.	Cable	Cable	Kabel	
61	182000212/0	1	Acceleratore	Accelerator	Accelérateur	Gas Zug	
62	125943012/0	2	Vite	Screw	Vis	Schraube	
64	25394501/0	1	Manopolina	Handle	Poigne	Griff	
65	12726388/0	1	Vite	Screw	Vis	Schraube	
66	12290800/0	1	Dado	Nut	Ecrou	Mutter	



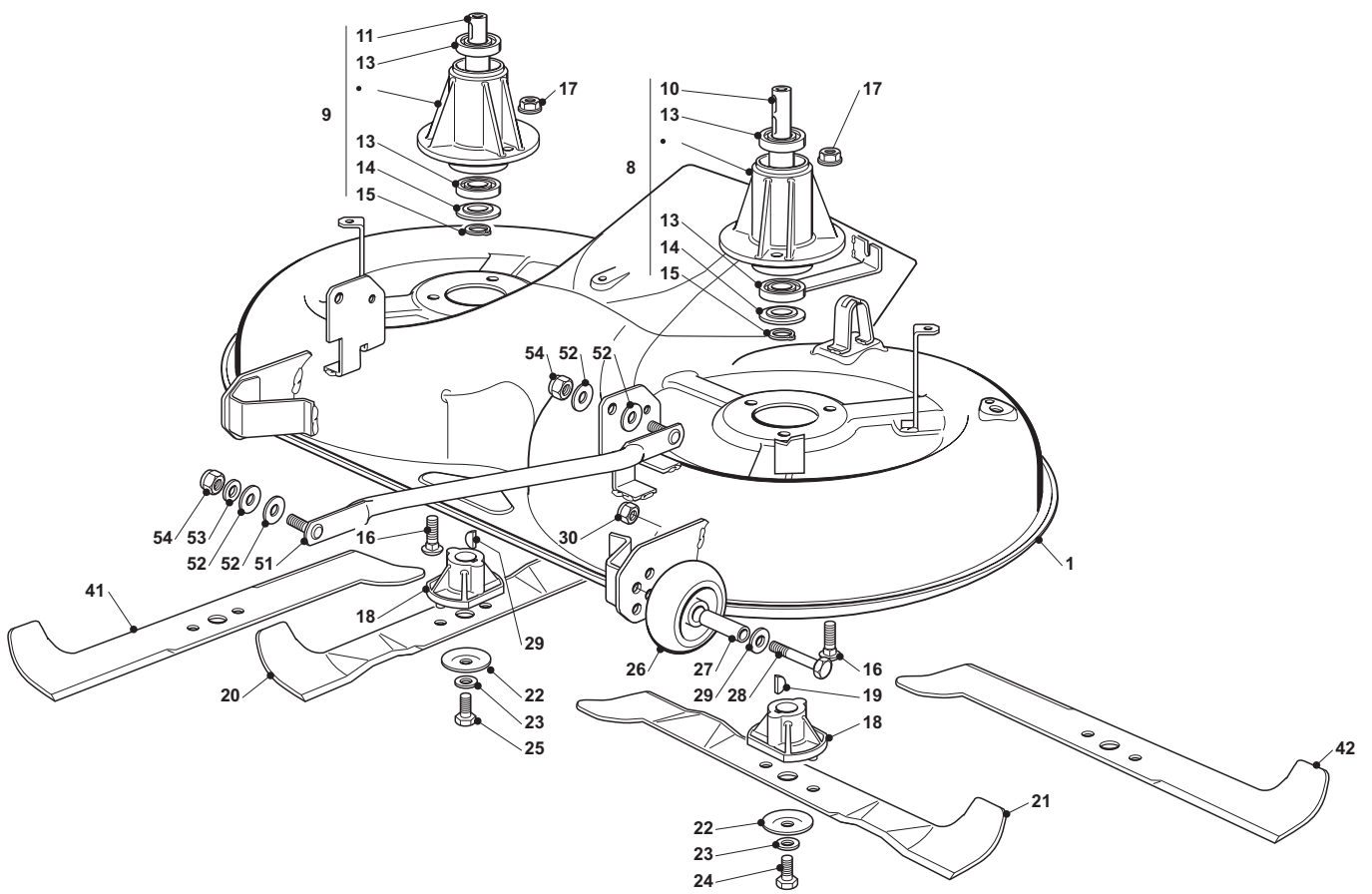
Transmission							Dana 4360-211
POS	CODE	Q.TY	DESCRIZIONE	DESCRIPTION	DESCRIPTION	BESCHREIBUNG	NOTES
1	118399063/0	1	Frizione	Clutc	Embrajage	Kupplung	
2	12737320/0	1	Vite	Screw	Vis	Schraube	
3	12543000/0	1	Rosetta	Washer	Rondelle	Scheibe	
4	122430216/1	1	Molla	Spring	Ressort	Feder	
5	25601567/0	1	Puleggia	Pulley	Poulie	Riemenscheibe	
6	25160021/0	1	Distanziale	Spacer	Entretoise	Entfernungsstück	
7	82318217/0	1	Leva	Lever	Levier	Hebel	
8	12691115/0	1	Vite	Screw	Vis	Schraube	
9	12523060/0	1	Rondella	Washer	Rondelle	Scheibe	
10	27670055/0	1	Rondella	Washer	Rondelle	Scheibe	
11	25510087/0	1	Perno	Pin	Pivot	Bolzen	
12	12523060/0	1	Rondella	Washer	Rondelle	Scheibe	
13	12155000/0	1	Dado	Nut	Ecrou	Mutter	
14	25601554/0	1	Puleggia	Pulley	Poulie	Riemenscheibe	
15	12523060/0	1	Rondella	Washer	Rondelle	Scheibe	
16	12155000/0	1	Dado	Nut	Ecrou	Mutter	
17	25430260/0	1	Molla	Spring	Ressort	Feder	
18	25755049/0	1	Squadretta	Bracket	Equerre-Support	Winkel	
19	25840005/0	1	Tirante	Tie Rod	Tirant	Spannstange	
20	12293200/0	2	Dado	Nut	Ecrou	Mutter	
21	12818690/0	1	Vite	Screw	Vis	Schraube	
22	12293201/0	1	Dado	Nut	Ecrou	Mutter	
23	82820013/0	1	Ass. Tirante	Tie Rod Ass.Y	Ens. Tirant	Spannstange, Komplet	
24	12155000/0	1	Dado	Nut	Ecrou	Mutter	
25	25510063/0	1	Perno	Pin	Pivot	Bolzen	
26	25670011/0	2	Rondella	Washer	Rondelle	Scheibe	
27	12155000/0	1	Dado	Nut	Ecrou	Mutter	
28	12521350/0	1	Rondella	Washer	Rondelle	Scheibe	
29	12604899/0	1	Fissatore A Corona	Crown Fastener	Fixateur A Couronne	Kronescheibe	
30	35062011/0	1	Cinghia	Belt	Courroie	Riemen	
31	19410610/0	1	Interrutt. Cambio	Gearbox Switch	Int. Boîte De Vitesse	Antrieb Schalter	
32	25065026/0	1	Cabl. Micro Folle	Cable	Cables	Kabel	
41	125510100/0	1	Perno	Pin	Pivot	Bolzen	
42	12691800/0	1	Vite	Screw	Vis	Schraube	
43	25601555/0	1	Puleggia	Pulley	Poulie	Riemenscheibe	
44	12523060/0	1	Rondella	Washer	Rondelle	Scheibe	
45	12155000/0	1	Dado	Nut	Ecrou	Mutter	
46	125160014/1	1	Distanziale Destro	Right Spacer	Entretoise Droite	Rechter Entfernungs Stück	
47	125160018/1	1	Distanziale Sinistro	Left Spacer	Entretoise Gauche	Linker Entfernungsstück	
48	12691200/0	1	Vite	Screw	Vis	Schraube	
49	12691100/0	1	Vite	Screw	Vis	Schraube	
50	125601588/0	2	Puleggia	Pulley	Poulie	Riemenscheibe	
51	22671653/0	2	Rosetta	Washer	Rondelle	Scheibe	
52	12155000/0	2	Dado	Nut	Ecrou	Mutter	
53	18400912/0	1	Asse Posteriore	Rear Axle	Axe Arriere	Hinterachse	Dana 4360-211
54	12691900/0	4	Vite	Screw	Vis	Schraube	
55	12154210/0	4	Dado	Nut	Ecrou	Mutter	
56	325774479/0	2	Staffa	Clamp	Etrier	Bride	
57	12735150/0	2	Vite	Screw	Vis	Schraube	
58	12792611/0	2	Vite	Screw	Vis	Schraube	
59	12293201/0	2	Dado	Nut	Ecrou	Mutter	
60	82601509/0	1	Puleggia	Pulley	Poulie	Riemenscheibe	
61	12139430/0	1	Linguetta	Key	Clavette	Keil	
62	12608950/0	1	Anello Elastico	Snap Ring	Anneau Ressort	Sprengring	
63	125270331/0	1	Guidacinghia	Belt Guide	Guide De Courroie	Riemenführung	
64	12523040/0	2	Rosetta	Washer	Rondelle	Scheibe	
65	12292102/0	2	Dado	Nut	Ecrou	Mutter	
66	25160034/0	2	Distanziale	Spacer	Entretoise	Entfernungsstück	
67	12521410/0	2-4	Rosetta	Washer	Rondelle	Scheibe	
71	25580030/0	2	Piolo Guidacinghia (Mecc.)	Belt Guide (Mech.)	Guide De Courroie (Mec.)	Riemenführung (Mech.)	
72	12523060/0	2	Rondella	Washer	Rondelle	Scheibe	
73	12360425/0	2	Dado	Nut (Mech.)	Ecrou	Mutter	



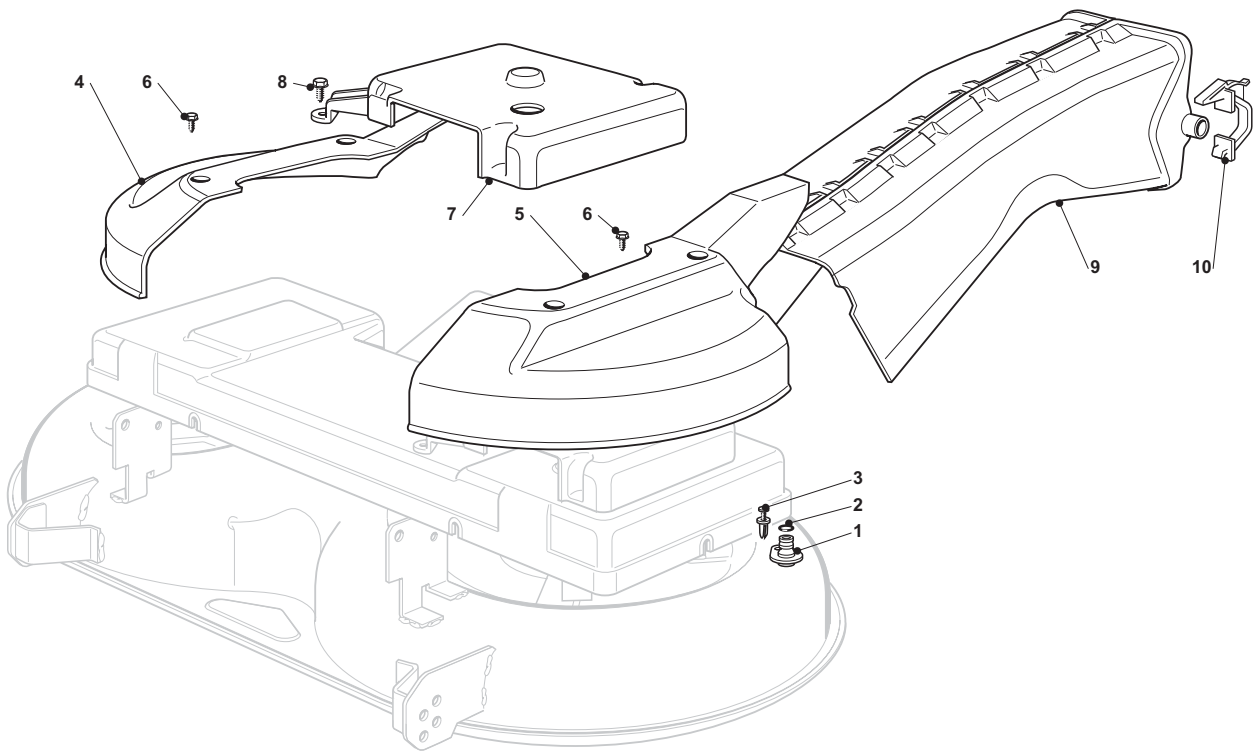
Cutting Plate Lifting							
POS	CODE	Q.TY	DESCRIZIONE	DESCRIPTION	DESCRIPTION	BESCHREIBUNG	NOTES
1	82774249/0	1	Staffa	Clamp	Bride	Bride	
2	382318219/1	1	Leva	Lever	Levier	Hebel	
3	25394508/0	1	Manopola	Handle	Poingee	Griff	
4	12674700/0	1	Vite	Screw	Vis	Schraube	
5	12154510/0	1	Dado	Nut	Ecrou	Mutter	
6	25650113/0	1	Piastrina	Plate	Plaque	Platte	
7	12818690/0	2	Vite	Screw	Vis	Schraube	
8	12155000/0	2	Dado	Nut	Ecrou	Mutter	
9	22041980/0	2	Bussola	Bush	Douille	Büchse	
10	12523060/0	2	Rondella	Washer	Rondelle	Scheibe	
11	12691600/0	1	Vite	Screw	Vis	Schraube	
12	12155000/0	1	Dado	Nut	Ecrou	Mutter	
13	25430259/0	1	Molla	Spring	Ressort	Feder	
14	25735511/0	1	Settore	Sector	Secteur	Sektor	
15	12818690/0	2	Vite	Screw	Vis	Schraube	
16	12293201/0	2	Dado	Nut	Ecrou	Mutter	
17	82000387/0	1	Asse Sollevamento	Axle	Axe	Achse	
18	325547041/1	2	Piastrina	Plate	Plaque	Platte	
19	12731580/0	4	Vite	Screw	Vis	Schraube	
20	382000618/0	1	Asta	Rod	Tige	Stab	
21	25670011/0	1	Rondella	Washer	Rondelle	Scheibe	
22	24487998/0	1	Coppiglia	Cotter Pin	Goupille	Splint	
23	12523040/0	1	Rosetta	Washer	Rondelle	Scheibe	
24	12154210/0	1	Dado	Nut	Ecrou	Mutter	
25	22446402/0	1	Molla	Spring	Ressort	Feder	
26	12792410/0	1	Vite	Screw	Vis	Schraube	
27	12292102/0	2	Dado	Nut	Ecrou	Mutter	
28	382000589/0	1	Asta Collegamento	Connecting Rod	Tige De Connexion	Verbindungsstab	
29	25670008/1	2	Rondella	Washer	Rondelle	Scheibe	
30	12156602/0	1	Dado	Nut	Ecrou	Mutter	
31	24487998/0	1	Coppiglia	Cotter Pin	Goupille	Splint	
32	25510070/0	1	Perno	Pin	Pivot	Bolzen	
33	25670008/1	2	Rondella	Washer	Rondelle	Scheibe	
34	12156602/0	1	Dado	Nut	Ecrou	Mutter	
35	125840031/0	2	Tirante	Tie Rod	Tirant	Kupplung	
36	12295200/0	2	Dado	Nut	Ecrou	Mutter	
37	25510070/0	2	Perno	Pin	Pivot	Bolzen	
38	12523090/0	2	Rondella	Washer	Rondelle	Scheibe	
39	24487998/0	2	Coppiglia	Cotter Pin	Goupille	Splint	
40	12521360/0	2	Rondella	Washer	Rondelle	Scheibe	
41	382000587/0	1	Asse Sollevamento	Axle	Axe	Achse	
42	27546015/1	2	Piastrina	Plate	Plaque	Platte	
43	12731350/0	4	Vite	Screw	Vis	Schraube	
44	25840024/0	1	Tirante	Tie Rod	Tirant	Spannstange	
45	25670008/1	1	Rondella	Washer	Rondelle	Scheibe	
46	24487998/0	1	Coppiglia	Cotter Pin	Goupille	Splint	
47	25510098/0	1	Perno	Pin	Pivot	Bolzen	
48	12295200/0	1	Dado	Nut	Ecrou	Mutter	
49	12156602/0	1	Dado	Nut	Ecrou	Mutter	
50	25670008/1	2	Rondella	Washer	Rondelle	Scheibe	
51	12156602/0	1	Dado	Nut	Ecrou	Mutter	
52	25840025/0	1	Tirante	Tie Rod	Tirant	Spannstange	
53	25670008/1	1	Rondella	Washer	Rondelle	Scheibe	
54	24487998/0	1	Coppiglia	Cotter Pin	Goupille	Splint	
55	25510090/0	1	Perno	Pin	Pivot	Bolzen	
56	12295200/0	1	Dado	Nut	Ecrou	Mutter	
57	12156602/0	1	Dado	Nut	Ecrou	Mutter	
58	25670008/1	2	Rondella	Washer	Rondelle	Scheibe	
59	12156602/0	1	Dado	Nut	Ecrou	Mutter	



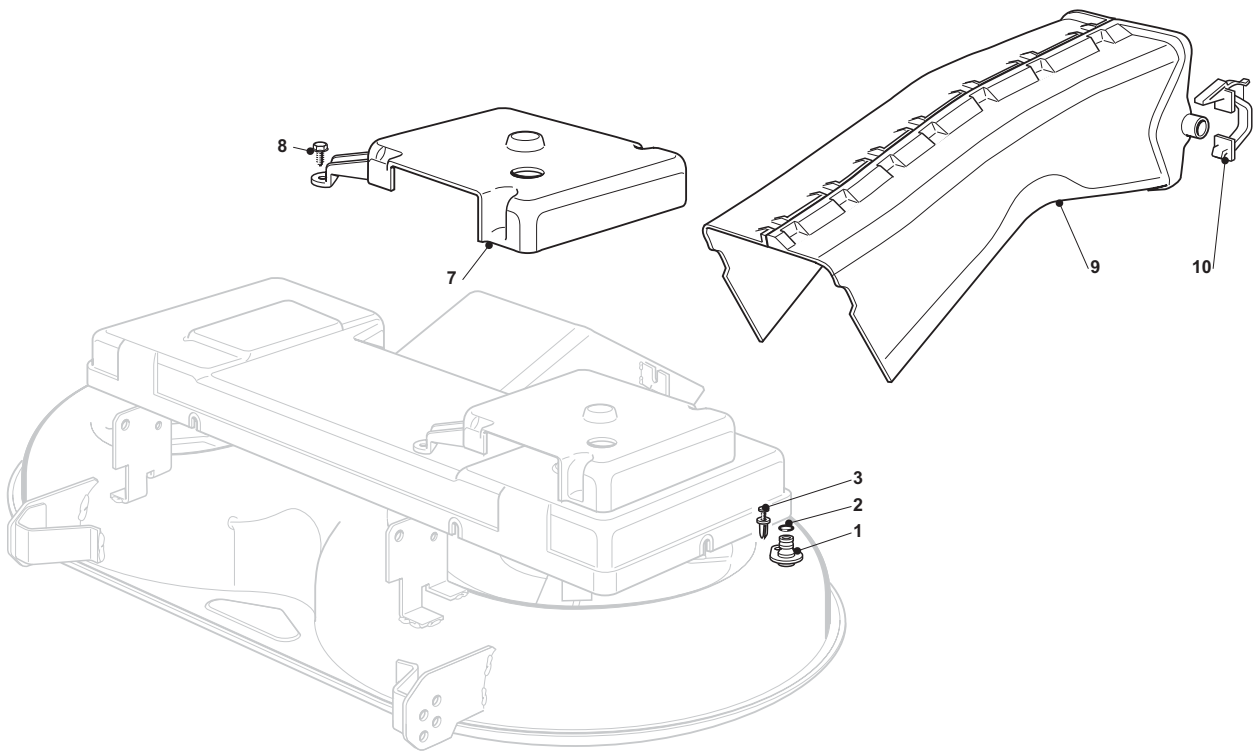
Blades Engagement							
POS	CODE	Q.TY	DESCRIZIONE	DESCRIPTION	DESCRIPTION	BESCHREIBUNG	NOTES
1	82547029/0	1	Piastra	Plate	Plate	Platte	
2	12792611/0	4	Vite	Screw	Vis	Schraube	
3	12293201/0	4	Dado	Nut	Ecrou	Mutter	
4	82785084/1	1	Supporto	Support	Support	Haltersatz	
5	25601559/1	2	Puleggia	Pulley	Poulie	Riemenscheibe	
6	119216048/0	2	Cuscinetto	Bearing	Roulement	Kuegellager	
7	12610800/0	2	Anello Elastico	Snap Ring	Anneau Ressort	Sprengring	
8	12609200/0	2	Seeger	Seeger	Seeger	Seeger	
9	25650037/0	1	Rinforzo	Stiffening	Reinforcement	Verstaerkung	
10	12793102/0	2	Vite	Screw	Vis	Schraube	
11	12521350/0	2	Rondella	Washer	Rondelle	Scheibe	
12	12583500/0	2	Grower	Grower	Grower	Grower	
13	25160003/0	4	Distanziale	Spacer	Entretoise	Distanzring	
14	25038000/0	4	Boccola	Bushing	Douille	Buchse	
15	12691700/0	1	Vite	Screw	Vis	Schraube	
16	12691200/0	3	Vite	Screw	Vis	Schraube	
17	12521350/0	4	Rondella	Washer	Rondelle	Scheibe	
18	12155000/0	4	Dado	Nut	Ecrou	Mutter	
19	12793900/0	1	Vite	Screw	Vis	Schraube	
20	12293200/0	1	Dado	Nut	Ecrou	Mutter	
21	25601560/0	2	Puleggia	Pulley	Poulie	Riemenscheibe	
22	12139480/0	3	Chiavetta	Key	Clavette	Keil	
23	12793102/0	1	Vite	Screw	Vis	Schraube	
24	25670007/0	1	Rosetta	Washer	Rondelle	Scheibe	
25	12583500/0	1	Grower	Grower	Grower	Grower	
26	35065600/0	1	Cinghia	Belt	Courroire	Keilriemen	
27	12815200/0	3	Vite	Screw	Vis	Schraube	
28	12292102/0	3	Dado	Nut	Ecrou	Mutter	
29	25060100/3	1	Carter	Case	Carter	Blech	
30	12735110/0	6	Vite	Screw	Vis	Schraube	
31	25601550/0	1	Puleggia	Pulley	Poulie	Riemenscheibe	
32	12793102/0	1	Vite	Screw	Vis	Schraube	
33	25670007/0	1	Rosetta	Washer	Rondelle	Scheibe	
34	12583500/0	1	Grower	Grower	Grower	Grower	
35	25160002/0	1	Distanziale	Spacer	Entretoise	Distanzring	
36	25318115/1	1	Leva Freno	Brake Lever	Levier Frein	Bremshebel	
40	25601555/0	1	Puleggia	Pulley	Poulie	Riemenscheibe	
41	25160007/0	1	Distanziale	Spacer	Entretoise	Entfernungsstück	
42	12818900/0	1	Vite	Screw	Vis	Schraube	
43	12523060/0	1	Rondella	Washer	Rondelle	Scheibe	
44	12155000/0	1	Dado	Nut	Ecrou	Mutter	
45	12793102/0	1	Vite	Screw	Vis	Schraube	
46	12523070/0	1	Rondella	Washer	Rondelle	Scheibe	
47	12583500/0	1	Grower	Grower	Grower	Grower	
48	35062811/0	1	Cinghia	Belt	Courroie	Keil Riemen	
50	12523060/0	1	Rondella	Washer	Rondelle	Scheibe	
91	82004608/0	1	Filo	Wire	Fil	Kabel	



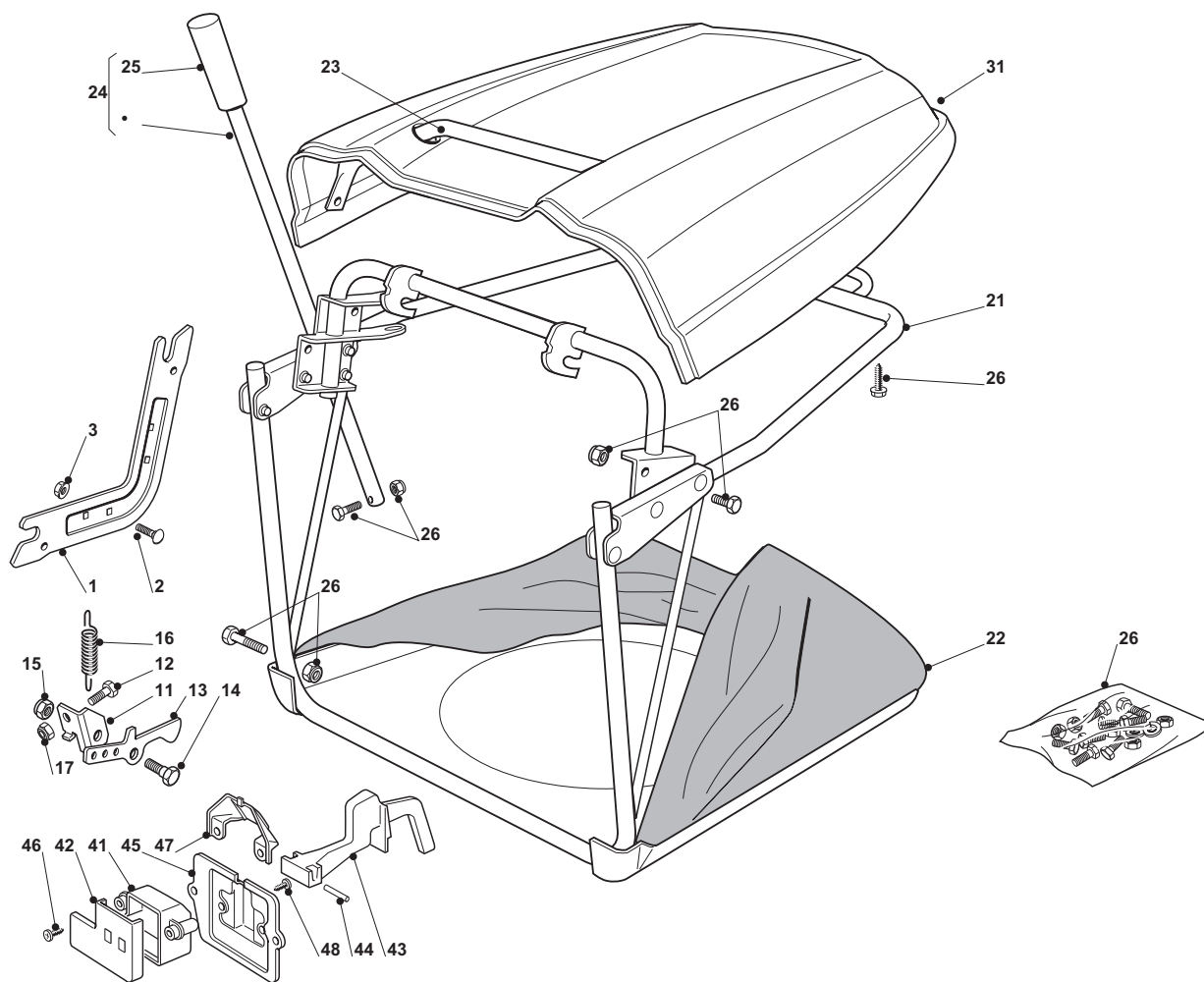
Cutting Plate							
POS	CODE	Q.TY	DESCRIZIONE	DESCRIPTION	DESCRIPTION	BESCHREIBUNG	NOTES
1	382564151/0	1	Piatto Di Taglio Nero	Cutting Plate Black	Plateau De Coupe Noire	Schneidwerkzeug Schwarz	
8	82207200/1	1	Ass. Flangia Principale	Main Shaft Support	Support Arbre Principal	Masserwellehauptsatz	
9	82207201/2	1	Ass. Flangia Secondaria	Secondary Shaft Support	Support Arbre Secondaire	Masserwelle Zweiersatz	
10	25020800/1	1	Albero Lama Principale	Main Blade Shaft	Arbre Lama Principal	Haupt Messerwelle	
11	25020801/2	1	Albero Lama Secondario	Secondary Blade Shaft	Arbre Lama Secondaire	Zweite Messerwelle	
13	119216047/0	4	Cuscinetto	Bearing	Roulement	Kuegellager	
14	25160501/0	2	Disco Parapolvere	Dust Cover	Protege-Poussiere	Staubschuttscheibe	
15	12609260/0	2	Seeger	Seeger	Seeger	Seeger	
16	12818700/0	6	Vite	Screw	Vis	Schraube	
17	12154210/0	6	Dado	Nut	Ecrou	Mutter	
18	25463200/0	2	Mozzo Coltello	Blade Hub	Moyeu Lame	Messerhalter	
19	12139100/0	2	Linguetta	Feather	Clavette	Keil	
20	82004348/0	1	Coltello Destro Mulching, Alettato	Right Blade Mulching, Winged	Lame Droite Mulching, Aillettee	Rechter Messer Mulching, Flügel	
21	82004347/0	1	Coltello Sinistro Mulching, Alettato	Left Blade Mulching, Winged	Lame Gauche Mulching, Aillettee	Linker Messer Mulching, Flügel	
22	22160400/0	2	Disco Elastico	Elastic Washer	Rondelle Elastique	Federscheibe	
23	12523080/0	2	Rosetta	Washer	Rondelle	Scheibe	
24	12735694/0	1	Vite	Screw	Vis	Schraube	
25	12735695/1	1	Vite	Screw	Vis	Schraube	
26	82700001/0	2	Ruotino Antiscalpo Ø 100	Anti Scalp Wheel Ø 100	Roulettes Antiscalp Ø 100	Skalpierschutzrädchen Ø 100	
27	25510072/0	2	Distanziale	Spacer	Entretoise	Entfernungsstück	
28	12692050/0	2	Vite	Screw	Vis	Schraube	
29	12523060/0	2	Rondella	Washer	Rondelle	Scheibe	
30	12293201/0	2	Dado	Nut	Ecrou	Mutter	
41	82004341/1	1	Coltello Destro, Alettato	Right Blade, Winged	Lame Droite, Aillettee	Rechter Messer, Flügel	
42	82004340/1	1	Coltello Sinistro, Alettato	Left Blade, Winged	Lame Gauche, Aillettee	Linker Messer, Flügel	
51	82000474/1	2	Asta Bilanciere	Equalizer Rod	Tige Balancier	Kipphebel	
52	25670008/1	8	Rondella	Washer	Rondelle	Scheibe	
53	12523060/0	2	Rondella	Washer	Rondelle	Scheibe	
54	12156602/0	4	Dado	Nut	Ecrou	Mutter	



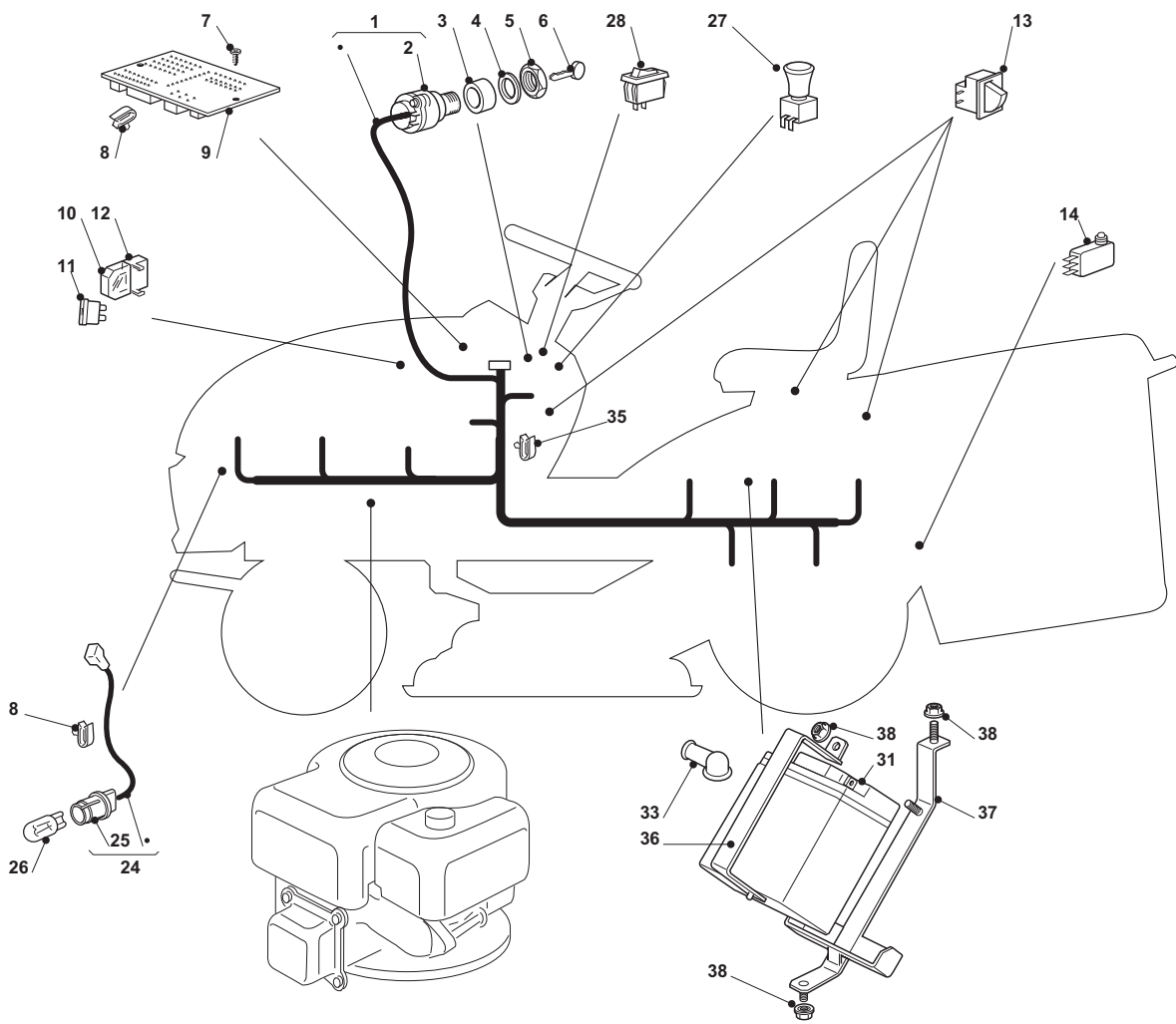
Guards And Conveyor							
POS	CODE	Q.TY	DESCRIZIONE	DESCRIPTION	DESCRIPTION	BESCHREIBUNG	NOTES
1	25033060/0	2	Attacco Tubo Acqua	Water Hose Connection	Raccord Tuyau D'Eau	Wasseranschluss	
2	19035000/0	2	Anello Or	O Ring	O Ring	O Ring	
3	12500030/0	2	Rivetto	Rivet	Rivet	Niet	
4	25060104/0	1	Carter Nero	Guard Black	Carter Noire	Blech Schwarz	
5	25060105/0	1	Carter Nero	Guard Black	Carter Noire	Blech Schwarz	
6	12735403/0	4	Vite	Screw	Vis	Schraube	
7	25600049/0	1	Protezione	Guard	Protection	Schutz	
8	12735403/0	3	Vite	Screw	Vis	Schraube	
9	382108021/0	1	Convogliatore	Conveyor	Convoyeur	Blechsatz	
10	25774373/0	2	Staffa	Clamp	Bride	Bride	



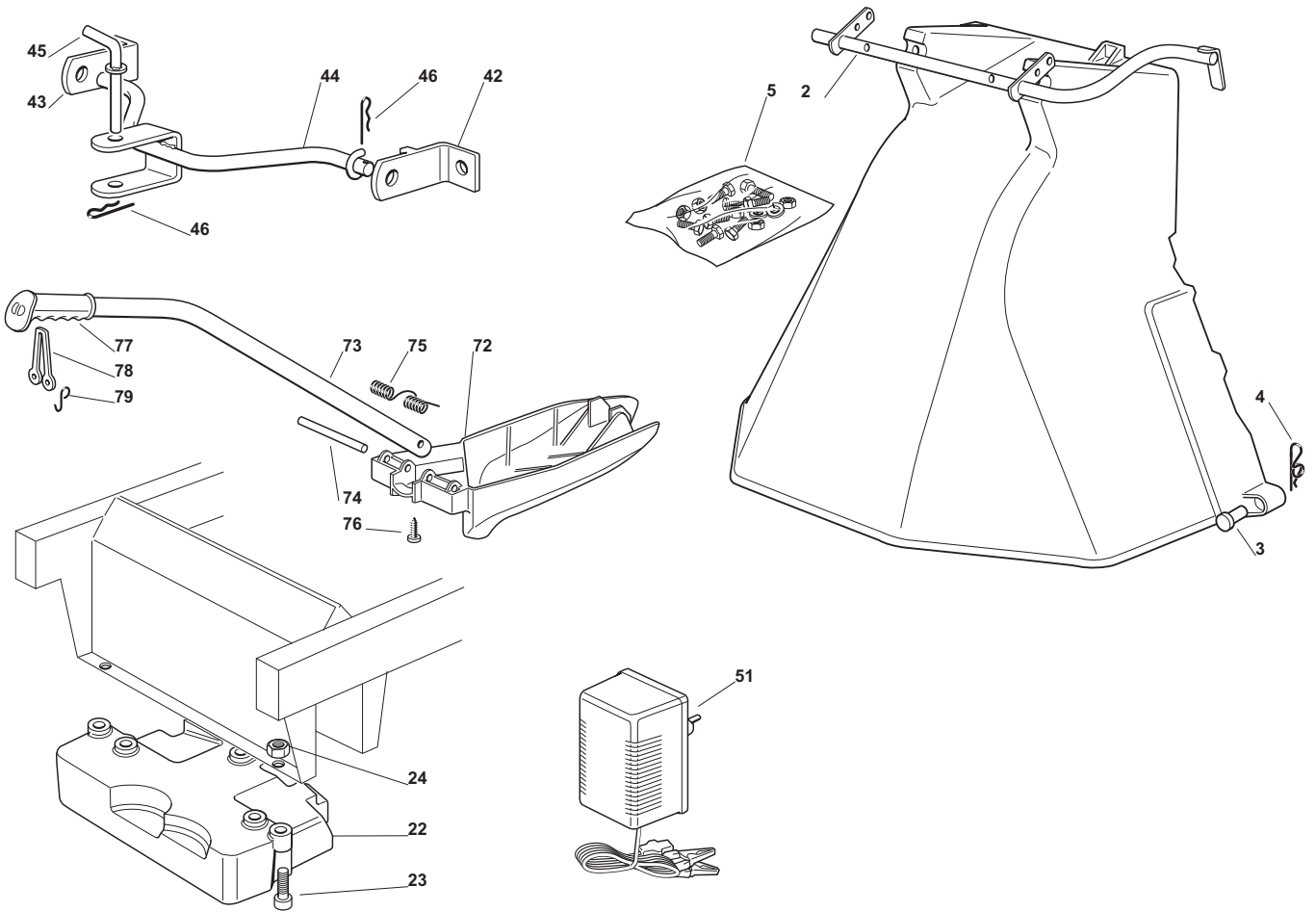
Guards And Conveyor							
POS	CODE	Q.TY	DESCRIZIONE	DESCRIPTION	DESCRIPTION	BESCHREIBUNG	NOTES
1	25033060/0	2	Attacco Tubo Acqua	Water Hose Connection	Raccord Tuyau D'Eau	Wasseranschluss	
2	19035000/0	2	Anello Or	O Ring	O Ring	O Ring	
3	12500030/0	2	Rivetto	Rivet	Rivet	Niet	
7	25600049/0	1	Protezione	Guard	Protection	Schutz	
8	12735403/0	3	Vite	Screw	Vis	Schraube	
9	382108021/0	1	Convogliatore	Conveyor	Convoyeur	Blechsatz	
10	25774373/0	2	Staffa	Clamp	Bride	Bride	



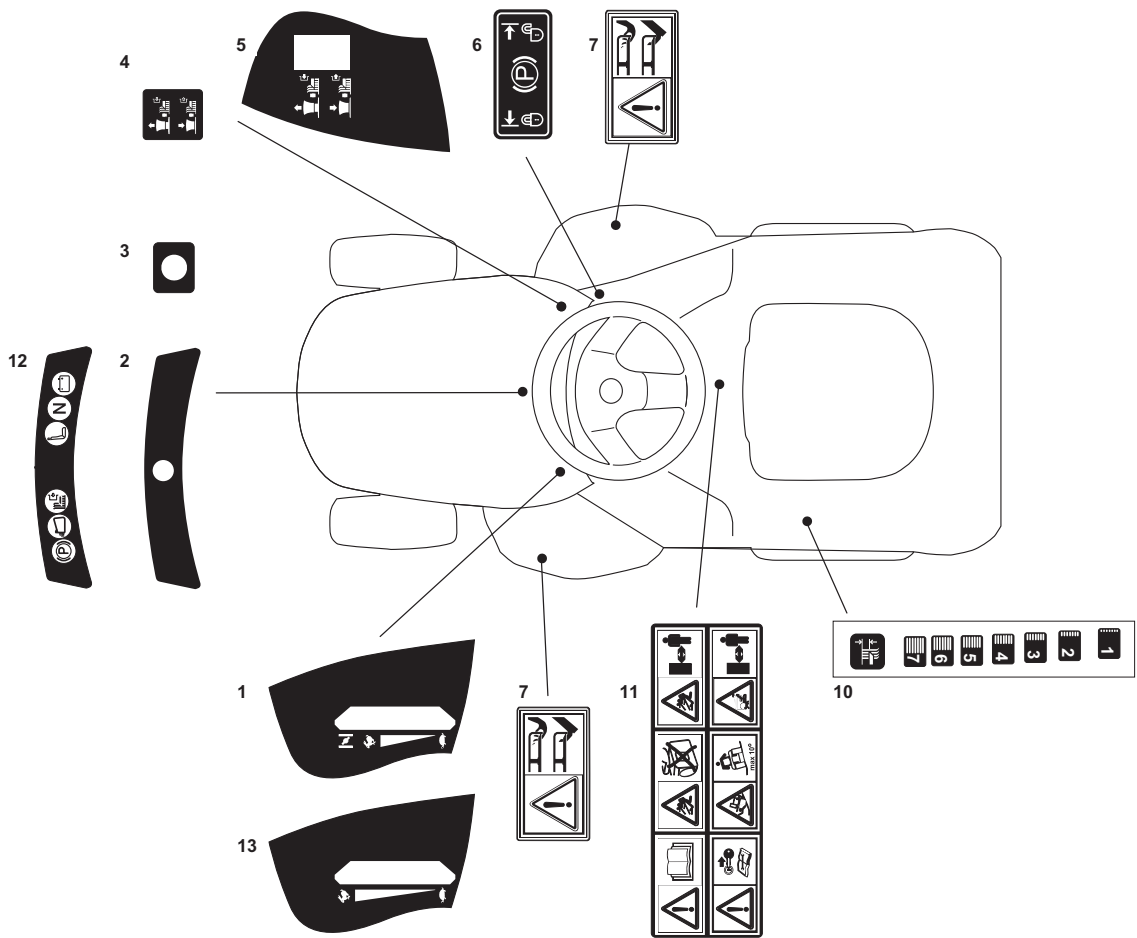
Grasscatcher							
POS	CODE	Q.TY	DESCRIZIONE	DESCRIPTION	DESCRIPTION	BESCHREIBUNG	NOTES
1	25785275/0	2	Supporto	Support	Support	Halter	
2	12818690/0	4	Vite	Screw	Vis	Schraube	
3	12293201/0	4	Dado	Nut	Ecrou	Mutter	
11	325755031/1	1	Squadretta	Bracket	Equerre-Support	Winkel	
12	12789000/0	1	Vite	Screw	Vis	Schraube	
12	12789000/0	1	Vite	Screw	Vis	Schraube	
13	325774315/1	1	Staffa	Bracket	Etrier	Bride	
14	125510080/1	1	Perno	Pin	Pivot	Bolzen	
15	12292102/0	1	Dado	Nut	Ecrou	Mutter	
16	22450432/0	1	Molla	Spring	Ressort	Feder	
17	12154330/0	1	Dado	Nut	Ecrou	Mutter	
21	82800111/0	1	Telaio Bocca Sacco	Front Frame	Chassis Avant	Vorderrahmen	
22	82105973/0	1	Confezione Sacco	Grasscatcher	Bac	Sack	
23	82394003/0	1	Maniglia Anteriore	Front Handle	Poignee Anterieure	Vordergriff	
24	82869023/0	1	Tube	Rod	Tige	Stange	
25	25394508/0	1	Manopola	Handle	Poingee	Griff	
26	82180048/0	1	Dotazione Viteria	Screws Outfit	Ensemble Des Vis	Schraubenausrüstung	
31	25110320/0	1	Copertura Sacco, Rosso	Grass-Catcher Cover, Red	Couvre-Bac, Rouge	Sackkappe, Rot	
31	25110342/0	1	Copertura Sacco, Grigio	Grass-Catcher Cover, Grey	Couvre-Bac, Gris	Sackkappe, Grau	
31	25110319/0	1	Copertura Sacco, Giallo	Grass-Catcher Cover, Yellow	Couvre-Bac, Jaune	Sackkappe, Gelb	
31	325110421/0	1	Copertura Sacco, Bianco	Grass-Catcher Cover, White	Couvre-Bac, Blanc	Sackkappe, Weiß	
31	325110413/0	1	Copertura Sacco, Nero	Grass-Catcher Cover, Black	Couvre-Bac, Noire	Sackkappe, Schwarz	
31	325110345/0	1	Copertura Sacco, Verde	Grass-Catcher Cover, Green	Couvre-Bac, Vert	Sackkappe, Grün	
41	25600041/0	1	Protezione Micro	Micro Protection	Protection Micro	Schutz	
42	25600042/0	1	Coperchio Protezione	Protection Cover	Couvercle Protection	Schutzdeckel	
43	25318124/0	1	Leva	Lever	Levier	Hebel	
44	12400030/0	1	Perno	Pin	Pivot	Bolzen	
45	25785272/0	1	Protezione Micro	Micro Protection	Protection Micro	Schutz	
46	12728510/0	1	Vite	Screw	Vis	Schraube	
47	25600048/0	1	Chiusura Deflettore	Deflector Cover	Couvercle Deflecteur	Abweiserdekel	
48	12735110/0	2	Vite	Screw	Vis	Schraube	



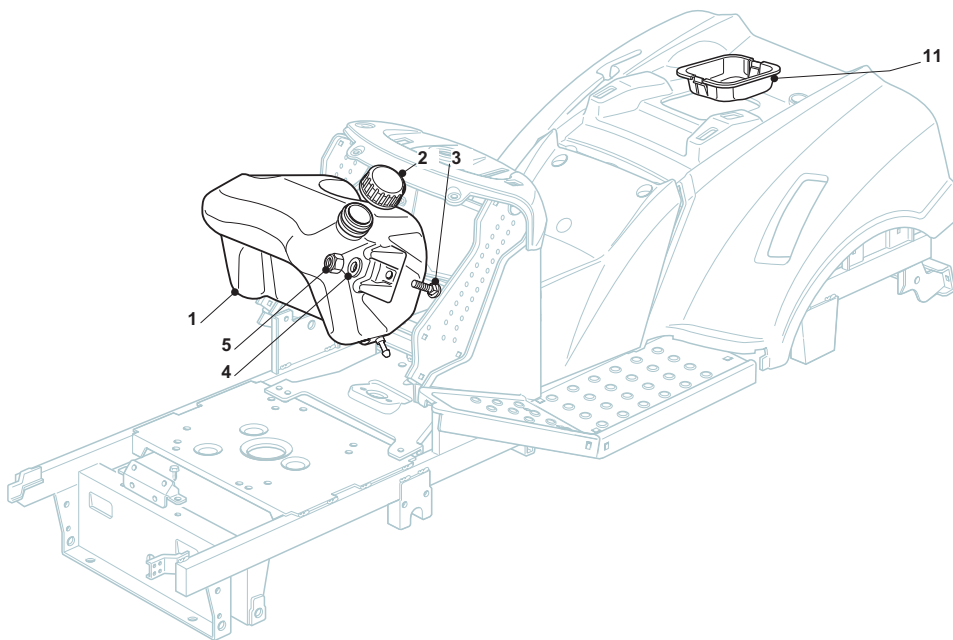
Electrical Parts							
POS	CODE	Q.TY	DESCRIZIONE	DESCRIPTION	DESCRIPTION	BESCHREIBUNG	NOTES
1	182040153/0	1	Cablaggio (B&S - GGP)	Cables Ass.Y (B&S - GGP)	Ens. Cablages (B&S - GGP)	Kabelsatz (B&S - GGP)	
1	182040154/0	1	Cablaggio (Honda)	Cables Ass.Y (Honda)	Ens. Cablages (Honda)	Kabelsatz (Honda)	
2	18450072/0	1	Interruttore Avviam.	Starting Switch	Interrupteur Demarr.	Schalter	
3	18550136/0	1	Distanziale	Spacer	Entretoise	Distanring	
4	18550135/0	1	Rondella	Washer	Rondelle	Scheibe	
5	18400862/0	1	Ghiera	Ringnut	Embout	Nutmutter	
6	18210022/0	1	Chiave Avviamento	Starting Key	Clef A Demarrage	Schlüssel Für Start	
7	12727810/0	3	Vite	Screw	Vis	Schraube	
8	33320506/0	2	Fermacavo	Fairlead	Fixation Cable	Kabelbefestigung	
9	125722430/1	1	Scheda Elettronica (1 Led)	Electronic Card (1 Led)	Carte Electronique (1 Led)	Elektronische Karte (1 Led)	
9	125722431/0	1	Scheda Elettronica (6 Led)	Electronic Card (6 Led)	Carte Electronique (6 Led)	Elektronische Karte (6 Led)	
10	33215000/0	2	Coperchio	Cover	Couvercle	Deckel	
11	33340040/0	1	Fusibile 10A	Fuse 10A	Fusible 10A	Sicherung 10A	
11	33340036/0	1	Fusibile 25 A	Fuse 25 A	Fusible 25 A	Sicherung 25 A	
12	33500007/0	2	Portafusibile	Fuse Carrier	Tableau De Fusible	Sicherungshalter	
13	119410615/0	3	Micro Interruttore	Microswitch	Microinterrupteur	Mikroschalter	
14	19410605/1	1	Micro Sacco Pieno	Full Grasscatc. Micro	Micro Bac Plein	Vollkorb Vorrichtung	
24	82040073/0	1	Cavo Fari	Cable	Cables	Kabel	use only on model NJX;NJS;NJU;NJA
25	33500030/0	2	Portalampane	Lamp Holder	Douille De Lampe	Scheinwerferlampe	
26	18459100/0	2	Lampada	Farilamp For Lights	Lampe Pour Phares	Lampenfassun	
27	18450068/0	1	Interruttore Frizione	Clutch Switch	Interrupteur Embrajage	Kupplung Schalter	
28	18450060/1	1	Interruttore Fari	Farilamp Switch	Interrupteur Phares	Lichten Schalter	
31	18120002/1	1	Batteria	Battery	Batterie	Batterie	
33	18564861/1	1	Cappuccio	Protection	Capuchon	Stecker	
35	33320506/0	9	Fermacavo	Fairlead	Fixation Cable	Kabelbefestigung	
36	27772099/1	1	Staffa	Clamp	Etrier	Bride	
37	382785191/0	1	Supporto Batteria	Battery Support	Support Batterie	Batterie Halter	
38	12155000/0	3	Dado	Nut	Ecrou	Mutter	



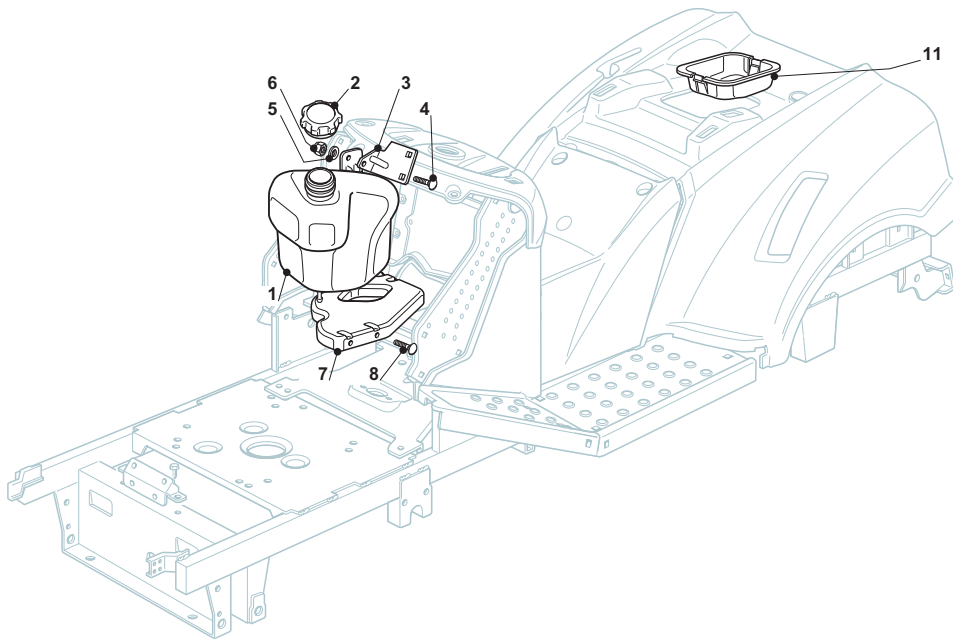
Optionals On Request							
POS	CODE	Q.TY	DESCRIZIONE	DESCRIPTION	DESCRIPTION	BESCHREIBUNG	NOTES
2	82869035/0	1	Tubo Di Aggancio	Support	Sopport	Halter	
3	25510022/0	2	Perno	Pin	Pivot	Bolzen	
4	24487998/0	2	Coppiglia	Cotter Pin	Goupille	Splint	
5	82180062/0	1	Dotazione Viteria	Screws Outfit	Ensemble Des Vis	Schraubenausrüstung	
22	25519997/1	1	Peso	Weight	Poids	Gewicht	
23	12760520/0	3	Vite	Screw	Vis	Schraube	
24	12155000/0	3	Dado	Nut	Ecrou	Mutter	
42	82735502/0	1	Staffa Supporto Traino Dx	Bracket Right Hitch Support	Etrier Support Trainage Droite	Buegel Halter Für Rechten Zug	
43	25774213/0	1	Staffa Supporto Traino Sx	Bracket Left Hitch Support	Etrier Support Trainage Gauche	Buegelhalter Für Linken Zug	
44	382033117/0	1	Barra	Rod	Barre	Stange	
45	25510021/1	1	Perno	Pin	Pivot	Bolzen	
46	24487999/0	2	Coppiglia	Cotter Pin	Goupille	Split	
51	182180090/0	1	Carica Batterie	Battery Charger	Chargeur De Batteries	Batterieladegerät	EU plug
51	182180091/0	1	Carica Batterie (U.K.)	Battery Charger (U.K.)	Chargeur De Batteries (U.K.)	Batterieladegerät (U.K.)	UK plug
72	325140097/0	1	Deflettore	Deflector	Deflecteur	Abweiser	
73	25394005/0	1	Manico	Handle	Guidon	Stiel	
74	25510077/0	1	Perno	Pin	Pivot	Bolzen	
75	25430245/0	1	Molla	Spring	Ressort	Feder	
76	12735405/0	1	Vite	Screw	Vis	Schraube	
77	25280000/1	1	Impugnatura	Handgrip	Branche	Griff	
78	25840011/1	1	Tirante In Gomma	Elastic Tie-Rod	Tirant Elastique	Elastische Zugstäbe	
79	25253004/0	2	Gancio	Hook	Crochet	Haken	



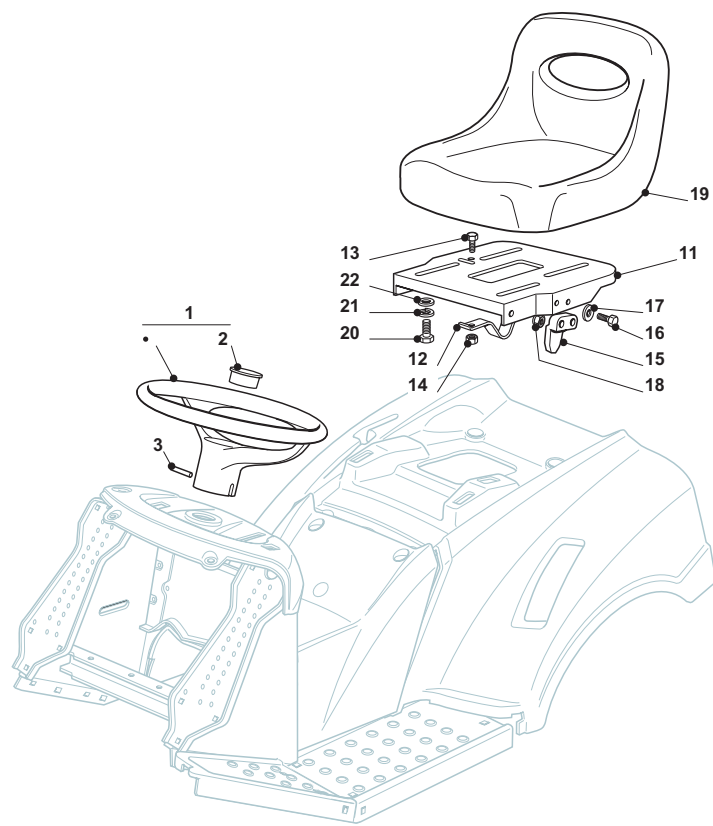
Labels							
POS	CODE	Q.TY	DESCRIZIONE	DESCRIPTION	DESCRIPTION	BESCHREIBUNG	NOTES
1	14361440/0	1	Etichetta	Label	Etiquette	Klebzettel	use only on model NJTP;NjX;NJS;NJU;NJA
2	25420019/0	1	Etichetta	Label	Etiquette	Klebzettel	for 1 led dashboard version
3	25420018/0	1	Etichetta	Label	Etiquette	Klebzettel	use only on model NJ;NJR;NJB
4	14361438/0	1	Etichetta	Label	Etiquette	Klebzettel	use only on model NJ;NJR;NJB
5	14361439/0	1	Etichetta	Label	Etiquette	Klebzettel	use only on model NJTP;NjX;NJS;NJU;NJA
6	14361452/0	1	Etichetta	Label	Etiquette	Klebzettel	
7	114356699/1	2	Etichetta	Label	Etiquette	Klebzettel	
10	14361441/0	1	Etichetta	Label	Etiquette	Klebzettel	
11	14361553/0	1	Etichetta	Label	Etiquette	Klebzettel	
12	125420020/0	1	Etichetta	Label	Etiquette	Klebzettel	for 6 led dashboard version
13	114364616/0	1	Etichetta	Label	Etiquette	Klebzettel	use only for model with Honda GXV 390 engine



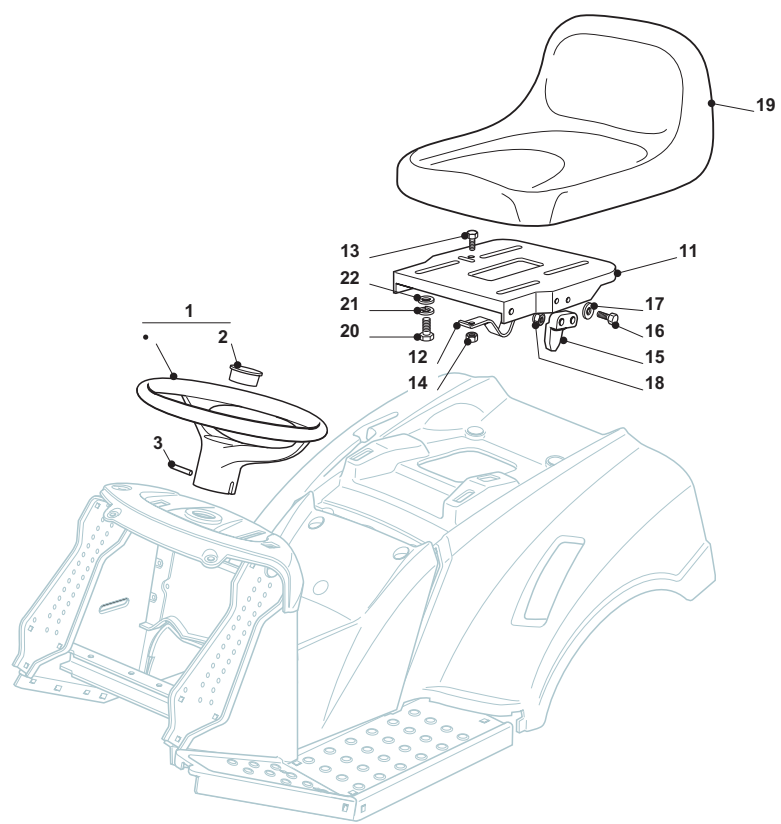
Tank							
POS	CODE	Q.TY	DESCRIZIONE	DESCRIPTION	DESCRIPTION	BESCHREIBUNG	NOTES
1	325735128/0	1	Serbatoio	Tank	Reservoir	Tank	
2	25795000/1	1	Tappo	Cap	Bouchon	Tankverschluss	
3	12815210/0	2	Vite	Screw	Vis	Schraube	
4	325160039/0	2	Distanziale	Spacer	Entretoise	Entfernungsstück	
5	12154510/0	2	Dado	Nut	Ecrou	Mutter	
11	325207176/0	1	Vaschetta	Basin	Cuvette	Wanne	



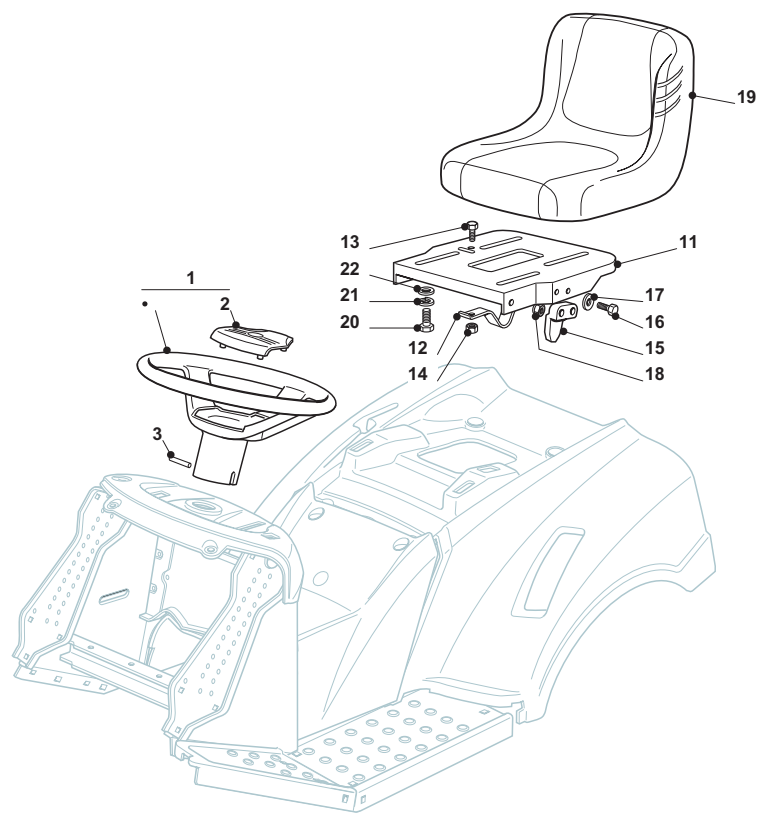
Tank							
POS	CODE	Q.TY	DESCRIZIONE	DESCRIPTION	DESCRIPTION	BESCHREIBUNG	NOTES
1	325735124/0	1	Serbatoio	Tank	Reservoir	Tank	
2	25795001/1	1	Tappo Serbatoio	Cap	Bouchon	Tankverschluss	
3	325785291/0	1	Supporto	Support	Support	Halter	
4	12789195/0	1	Vite	Screw	Vis	Schraube	
5	12581500/0	1	Grower	Grower	Grower	Grower	
6	12437503/0	1	Piastrina	Plate	Plaque	Platte	
7	325785289/0	1	Supporto	Support	Support	Halter	
8	12735403/0	4	Vite	Screw	Vis	Schraube	
11	325207176/0	1	Vaschetta	Basin	Cuvette	Wanne	



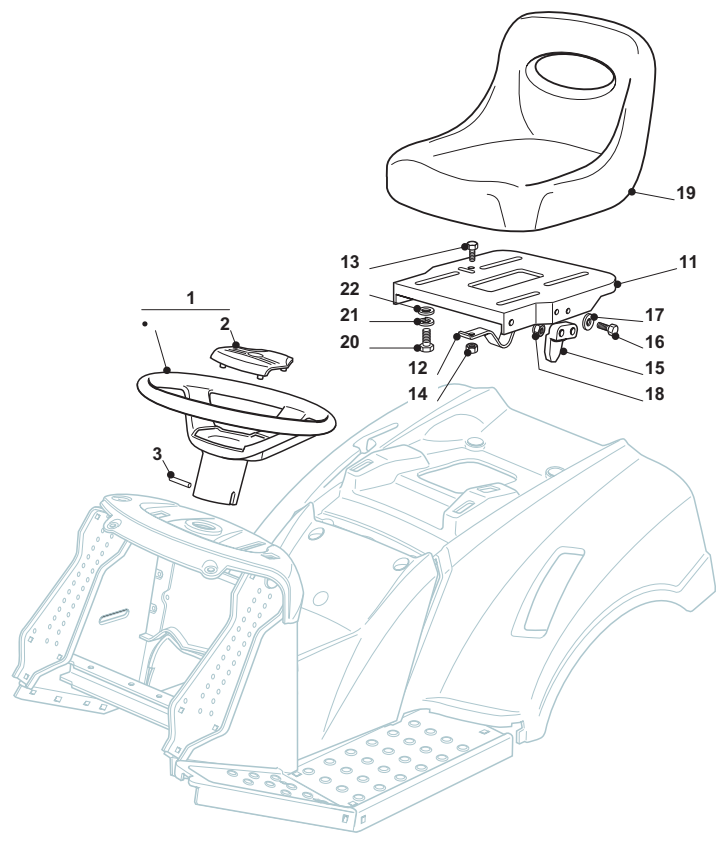
Seat & Steering Wheel							
POS	CODE	Q.TY	DESCRIZIONE	DESCRIPTION	DESCRIPTION	BESCHREIBUNG	NOTES
1	25961201/0	1	Volante	Steering Wheel	Volant	Lenkrad	
2	25120230/0	1	Tappo	Cap	Bouchon	Stopfen	
3	12620299/0	1	Spina	Pin	Goupille	Stift	
11	25547033/1	1	Piastra	Plate	Plaque	Platte	
12	25430223/2	1	Molla	Spring	Ressort	Feder	
13	12789000/0	1	Vite	Screw	Vis	Schraube	
14	12154330/0	1	Dado	Nut	Ecrou	Mutter	
15	27063021/1	1	Camma	Cam	Came	Nocken	
16	12789100/0	2	Vite	Screw	Vis	Schraube	
17	12523020/0	2	Rosetta	Washer	Rondelle	Scheibe	
18	12154330/0	2	Dado	Nut	Ecrou	Mutter	
19	25722453/1	1	Sedile	Seat	Siege	Sitz	
20	12793101/0	4	Vite	Screw	Vis	Schraube	
21	12583500/0	4	Grower	Grower	Grower	Grower	
22	12523060/0	4	Rondella	Washer	Rondelle	Scheibe	



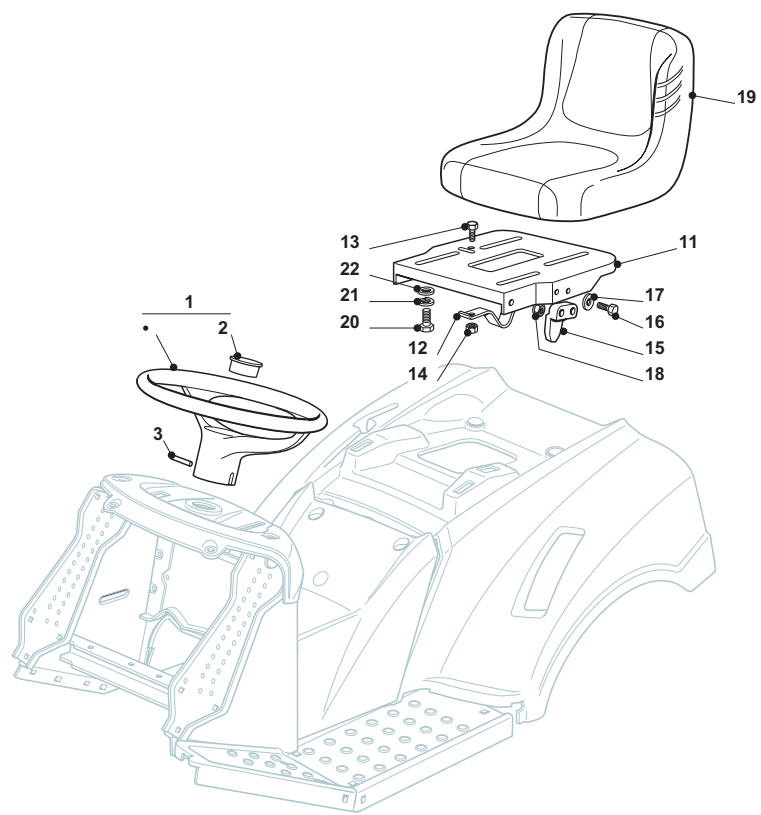
Seat & Steering Wheel							
POS	CODE	Q.TY	DESCRIZIONE	DESCRIPTION	DESCRIPTION	BESCHREIBUNG	NOTES
1	25961201/0	1	Volante	Steering Wheel	Volant	Lenkrad	
2	25120230/0	1	Tappo	Cap	Bouchon	Stopfen	
3	12620299/0	1	Spina	Pin	Goupille	Stift	
11	25547033/1	1	Piastra	Plate	Plaque	Platte	
12	25430223/2	1	Molla	Spring	Ressort	Feder	
13	12789000/0	1	Vite	Screw	Vis	Schraube	
14	12154330/0	1	Dado	Nut	Ecrou	Mutter	
15	27063021/1	1	Camma	Cam	Came	Nocken	
16	12789100/0	2	Vite	Screw	Vis	Schraube	
17	12523020/0	2	Rosetta	Washer	Rondelle	Scheibe	
18	12154330/0	2	Dado	Nut	Ecrou	Mutter	
19	125722470/0	1	Sedile	Seat	Siege	Sitz	
20	12793101/0	4	Vite	Screw	Vis	Schraube	
21	12583500/0	4	Grower	Grower	Grower	Grower	
22	12523060/0	4	Rondella	Washer	Rondelle	Scheibe	



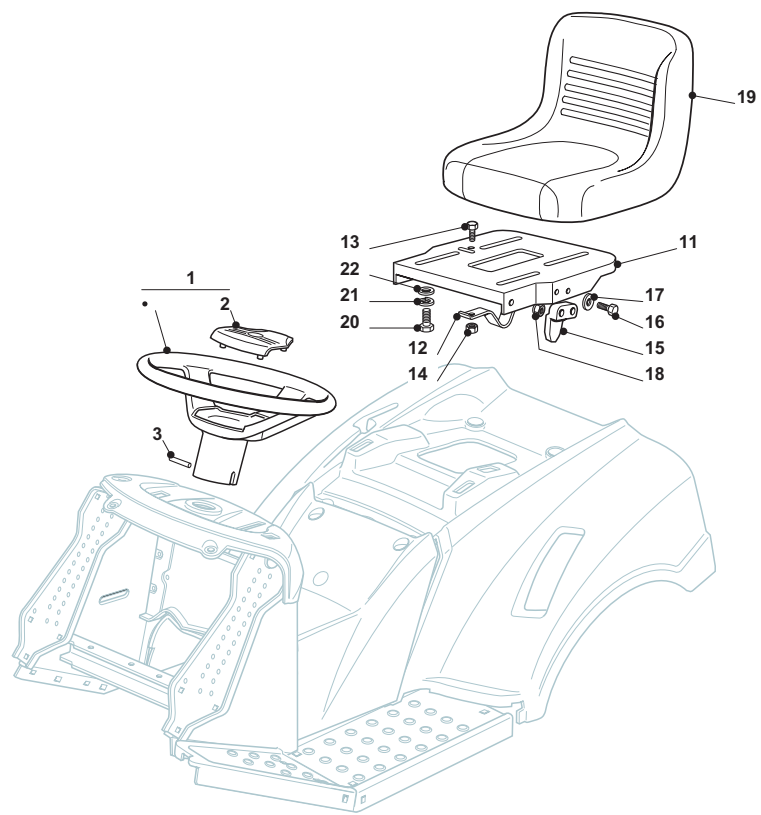
Seat & Steering Wheel							
POS	CODE	Q.TY	DESCRIZIONE	DESCRIPTION	DESCRIPTION	BESCHREIBUNG	NOTES
1	25961212/0	1	Volante,Grigio	Steering Wheel,Grey	Volant,Gris	Lenkrad,Grau	
1	25961216/0	1	Volante,Nero	Steering Wheel,Black	Volant,Noire	Lenkrad,Schwarz	
2	325580500/0	1	Tappo,Grigio	Cap,Grey	Bouchon,Gris	Stopfen,Grau	
2	25580501/0	1	Tappo,Nero	Cap,Black	Bouchon,Noire	Stopfen,Schwarz	
2	325580500/0	1	Tappo,Grigio	Cap	Bouchon,Gris	Stopfen,Grau	
3	12620299/0	1	Spina	Pin	Goupille	Stift	
11	25547033/1	1	Piastra	Plate	Plaque	Platte	
12	25430223/2	1	Molla	Spring	Ressort	Feder	
13	12789000/0	1	Vite	Screw	Vis	Schraube	
14	12154330/0	1	Dado	Nut	Ecrou	Mutter	
15	27063021/1	1	Camma	Cam	Came	Nocken	
16	12789100/0	2	Vite	Screw	Vis	Schraube	
17	12523020/0	2	Rosetta	Washer	Rondelle	Scheibe	
18	12154330/0	2	Dado	Nut	Ecrou	Mutter	
19	25722463/0	1	Sedile	Seat	Siege	Sitz	
20	12793101/0	4	Vite	Screw	Vis	Schraube	
21	12583500/0	4	Grower	Grower	Grower	Grower	
22	12523060/0	4	Rondella	Washer	Rondelle	Scheibe	



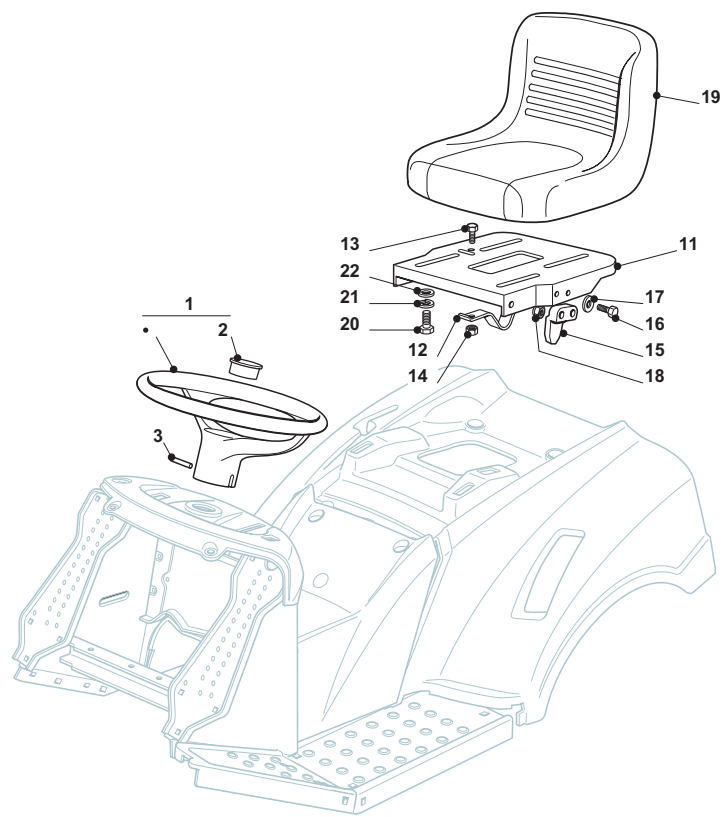
Seat & Steering Wheel							
POS	CODE	Q.TY	DESCRIZIONE	DESCRIPTION	DESCRIPTION	BESCHREIBUNG	NOTES
1	25961212/0	1	Volante,Grigio	Steering Wheel	Volant,Gris	Lenkrad,Grau	
2	325580500/0	1	Tappo,Grigio	Cap	Bouchon,Gris	Stopfen,Grau	
3	12620299/0	1	Spina	Pin	Goupille	Stift	
11	25547033/1	1	Piastra	Plate	Plaque	Platte	
12	25430223/2	1	Molla	Spring	Ressort	Feder	
13	12789000/0	1	Vite	Screw	Vis	Schraube	
14	12154330/0	1	Dado	Nut	Ecrou	Mutter	
15	27063021/1	1	Camma	Cam	Came	Nocken	
16	12789100/0	2	Vite	Screw	Vis	Schraube	
17	12523020/0	2	Rosetta	Washer	Rondelle	Scheibe	
18	12154330/0	2	Dado	Nut	Ecrou	Mutter	
19	25722453/1	1	Sedile	Seat	Siege	Sitz	
20	12793101/0	4	Vite	Screw	Vis	Schraube	
21	12583500/0	4	Grower	Grower	Grower	Grower	
22	12523060/0	4	Rondella	Washer	Rondelle	Scheibe	



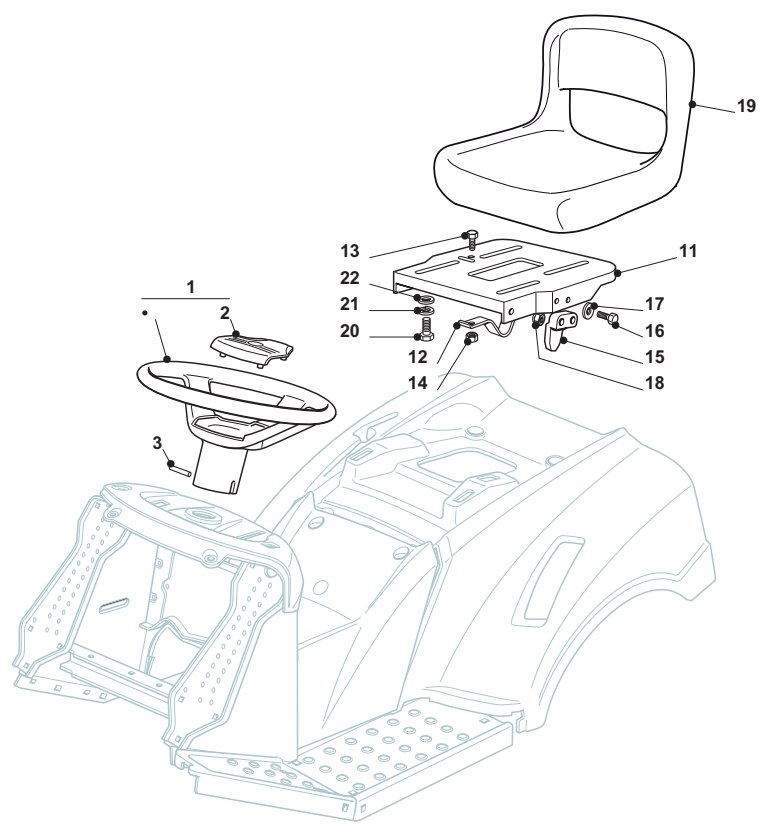
Seat & Steering Wheel							
POS	CODE	Q.TY	DESCRIZIONE	DESCRIPTION	DESCRIPTION	BESCHREIBUNG	NOTES
1	25961201/0	1	Volante	Steering Wheel	Volant	Lenkrad	
2	25120230/0	1	Tappo	Cap	Bouchon	Stopfen	
3	12620299/0	1	Spina	Pin	Goupille	Stift	
11	25547033/1	1	Piastra	Plate	Plaque	Platte	
12	25430223/2	1	Molla	Spring	Ressort	Feder	
13	12789000/0	1	Vite	Screw	Vis	Schraube	
14	12154330/0	1	Dado	Nut	Ecrou	Mutter	
15	27063021/1	1	Camma	Cam	Came	Nocken	
16	12789100/0	2	Vite	Screw	Vis	Schraube	
17	12523020/0	2	Rosetta	Washer	Rondelle	Scheibe	
18	12154330/0	2	Dado	Nut	Ecrou	Mutter	
19	25722463/0	1	Sedile	Seat	Siege	Sitz	
20	12793101/0	4	Vite	Screw	Vis	Schraube	
21	12583500/0	4	Grower	Grower	Grower	Grower	
22	12523060/0	4	Rondella	Washer	Rondelle	Scheibe	



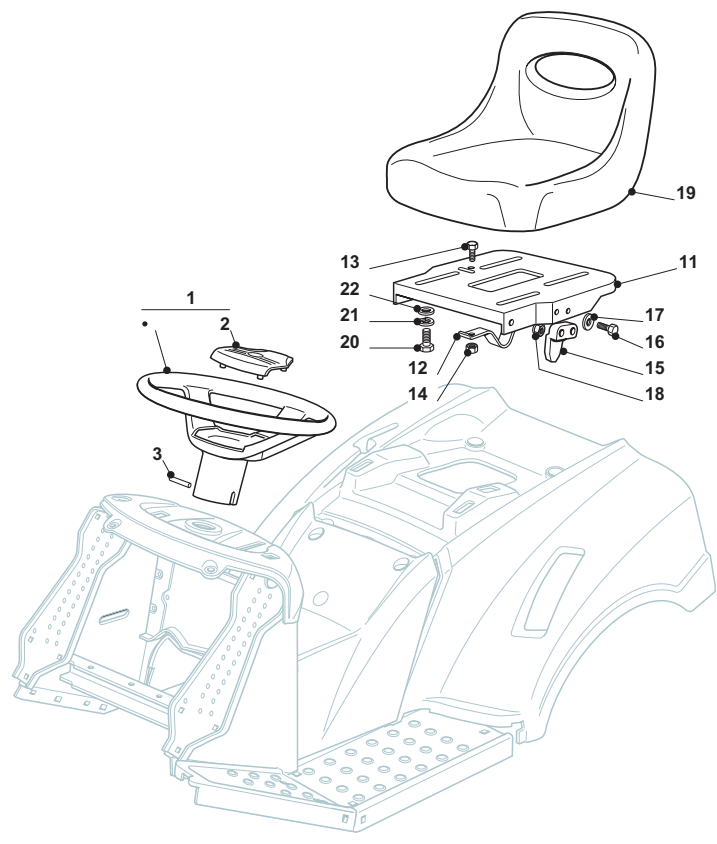
Seat & Steering Wheel							
POS	CODE	Q.TY	DESCRIZIONE	DESCRIPTION	DESCRIPTION	BESCHREIBUNG	NOTES
1	25961216/0	1	Volante,Nero	Steering Wheel	Volant,Noire	Lenkrad,Schwarz	
2	25580501/0	1	Tappo,Nero	Cap	Bouchon,Noire	Stopfen,Schwarz	
3	12620299/0	1	Spina	Pin	Goupille	Stift	
11	25547033/1	1	Piastra	Plate	Plaque	Platte	
12	25430223/2	1	Molla	Spring	Ressort	Feder	
13	12789000/0	1	Vite	Screw	Vis	Schraube	
14	12154330/0	1	Dado	Nut	Ecrou	Mutter	
15	27063021/1	1	Camma	Cam	Came	Nocken	
16	12789100/0	2	Vite	Screw	Vis	Schraube	
17	12523020/0	2	Rosetta	Washer	Rondelle	Scheibe	
18	12154330/0	2	Dado	Nut	Ecrou	Mutter	
19	125722471/0	1	Sedile	Seat	Siege	Sitz	
20	12793101/0	4	Vite	Screw	Vis	Schraube	
21	12583500/0	4	Grower	Grower	Grower	Grower	
22	12523060/0	4	Rondella	Washer	Rondelle	Scheibe	



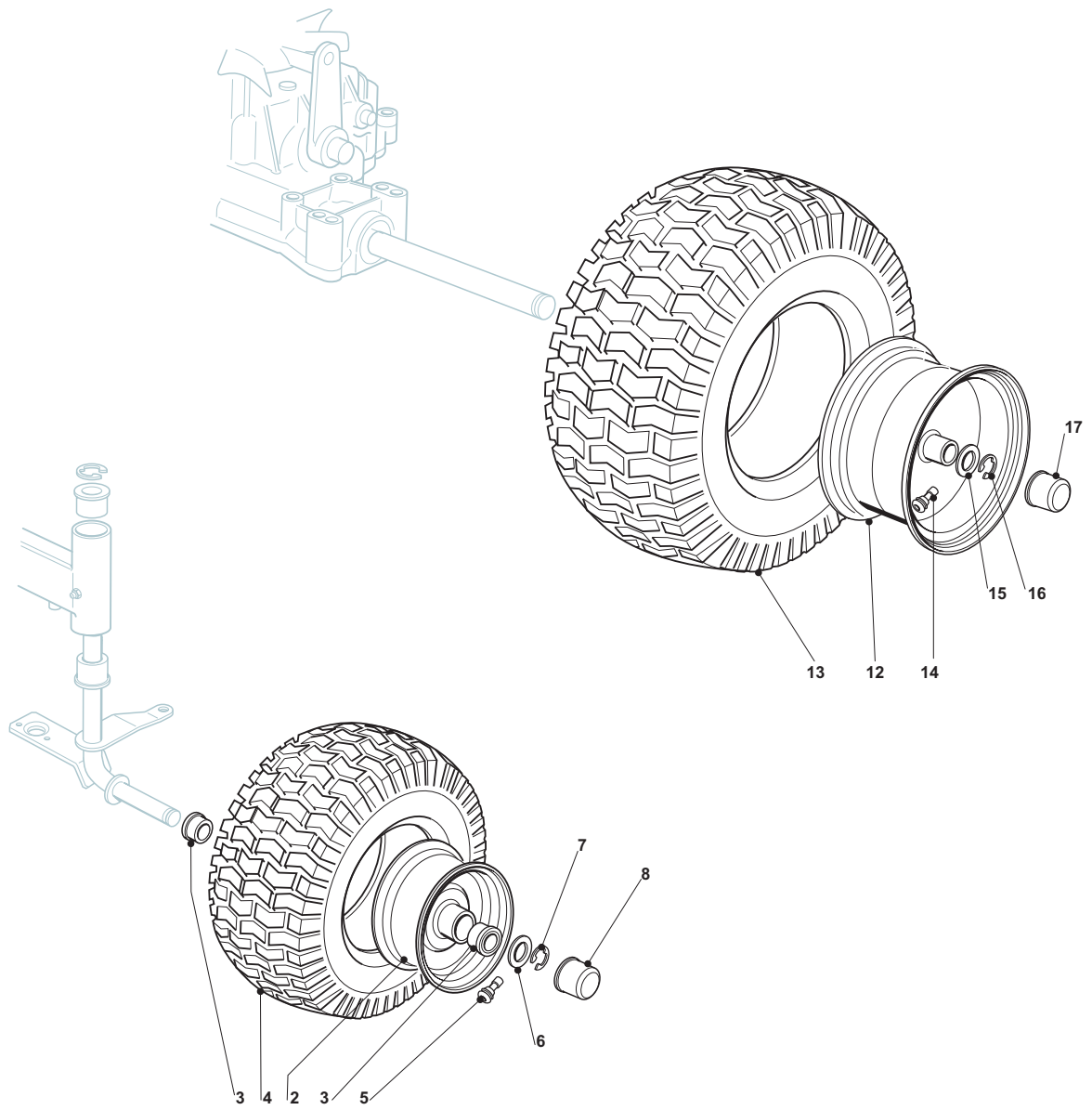
Seat & Steering Wheel							
POS	CODE	Q.TY	DESCRIZIONE	DESCRIPTION	DESCRIPTION	BESCHREIBUNG	NOTES
1	25961201/0	1	Volante	Steering Wheel	Volant	Lenkrad	
2	25120230/0	1	Tappo	Cap	Bouchon	Stopfen	
3	12620299/0	1	Spina	Pin	Goupille	Stift	
11	25547033/1	1	Piastra	Plate	Plaque	Platte	
12	25430223/2	1	Molla	Spring	Ressort	Feder	
13	12789000/0	1	Vite	Screw	Vis	Schraube	
14	12154330/0	1	Dado	Nut	Ecrou	Mutter	
15	27063021/1	1	Camma	Cam	Came	Nocken	
16	12789100/0	2	Vite	Screw	Vis	Schraube	
17	12523020/0	2	Rosetta	Washer	Rondelle	Scheibe	
18	12154330/0	2	Dado	Nut	Ecrou	Mutter	
19	125722471/0	1	Sedile	Seat	Siege	Sitz	
20	12793101/0	4	Vite	Screw	Vis	Schraube	
21	12583500/0	4	Grower	Grower	Grower	Grower	
22	12523060/0	4	Rondella	Washer	Rondelle	Scheibe	



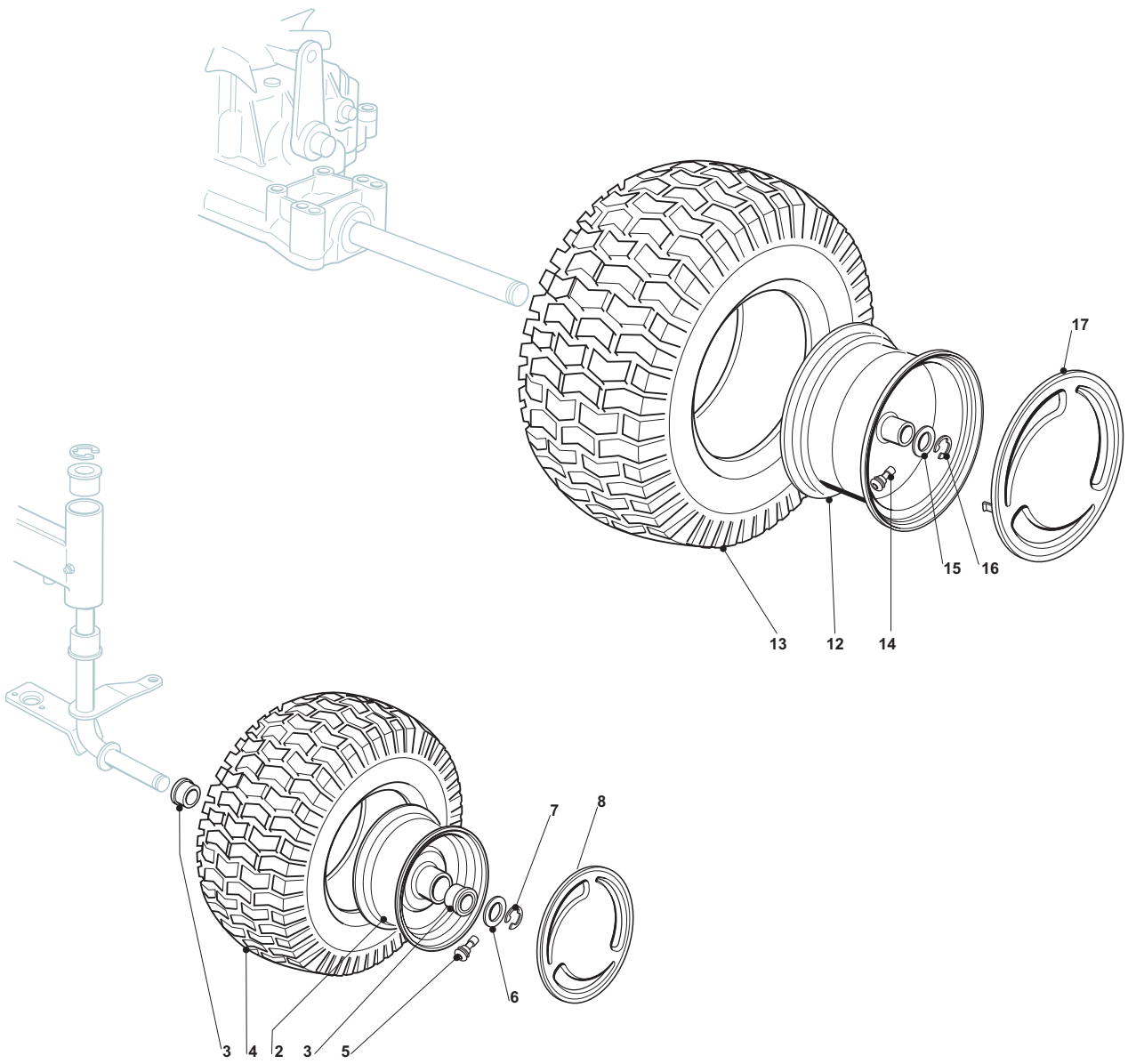
Seat & Steering Wheel							
POS	CODE	Q.TY	DESCRIZIONE	DESCRIPTION	DESCRIPTION	BESCHREIBUNG	NOTES
1	25961209/0	1	Volante	Steering Wheel	Volant	Lenkrad	
2	25580501/0	1	Tappo,Nero	Cap	Bouchon,Noire	Stopfen,Schwarz	
3	12620299/0	1	Spina	Pin	Goupille	Stift	
11	25547033/1	1	Piastra	Plate	Plaque	Platte	
12	25430223/2	1	Molla	Spring	Ressort	Feder	
13	12789000/0	1	Vite	Screw	Vis	Schraube	
14	12154330/0	1	Dado	Nut	Ecrou	Mutter	
15	27063021/1	1	Camma	Cam	Came	Nocken	
16	12789100/0	2	Vite	Screw	Vis	Schraube	
17	12523020/0	2	Rosetta	Washer	Rondelle	Scheibe	
18	12154330/0	2	Dado	Nut	Ecrou	Mutter	
19	25722456/0	1	Sedile	Seat	Siege	Sitz	
20	12793101/0	4	Vite	Screw	Vis	Schraube	
21	12583500/0	4	Grower	Grower	Grower	Grower	
22	12523060/0	4	Rondella	Washer	Rondelle	Scheibe	



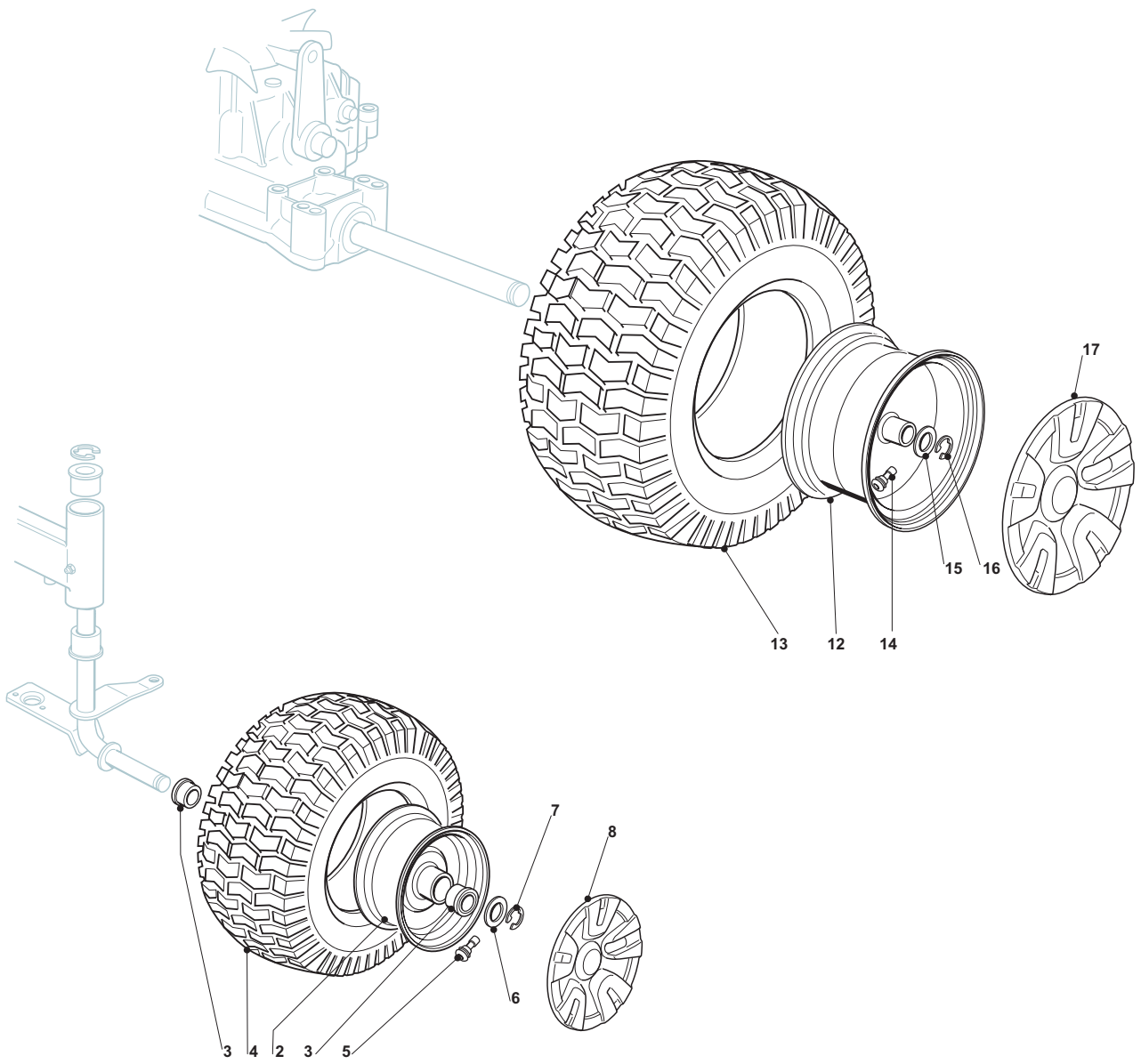
Seat & Steering Wheel							
POS	CODE	Q.TY	DESCRIZIONE	DESCRIPTION	DESCRIPTION	BESCHREIBUNG	NOTES
1	25961216/0	1	Volante,Nero	Steering Wheel	Volant,Noire	Lenkrad,Schwarz	
2	25580501/0	1	Tappo,Nero	Cap	Bouchon,Noire	Stopfen,Schwarz	
3	12620299/0	1	Spina	Pin	Goupille	Stift	
11	25547033/1	1	Piastra	Plate	Plaque	Platte	
12	25430223/2	1	Molla	Spring	Ressort	Feder	
13	12789000/0	1	Vite	Screw	Vis	Schraube	
14	12154330/0	1	Dado	Nut	Ecrou	Mutter	
15	27063021/1	1	Camma	Cam	Came	Nocken	
16	12789100/0	2	Vite	Screw	Vis	Schraube	
17	12523020/0	2	Rosetta	Washer	Rondelle	Scheibe	
18	12154330/0	2	Dado	Nut	Ecrou	Mutter	
19	25722453/1	1	Sedile	Seat	Siege	Sitz	
20	12793101/0	4	Vite	Screw	Vis	Schraube	
21	12583500/0	4	Grower	Grower	Grower	Grower	
22	12523060/0	4	Rondella	Washer	Rondelle	Scheibe	



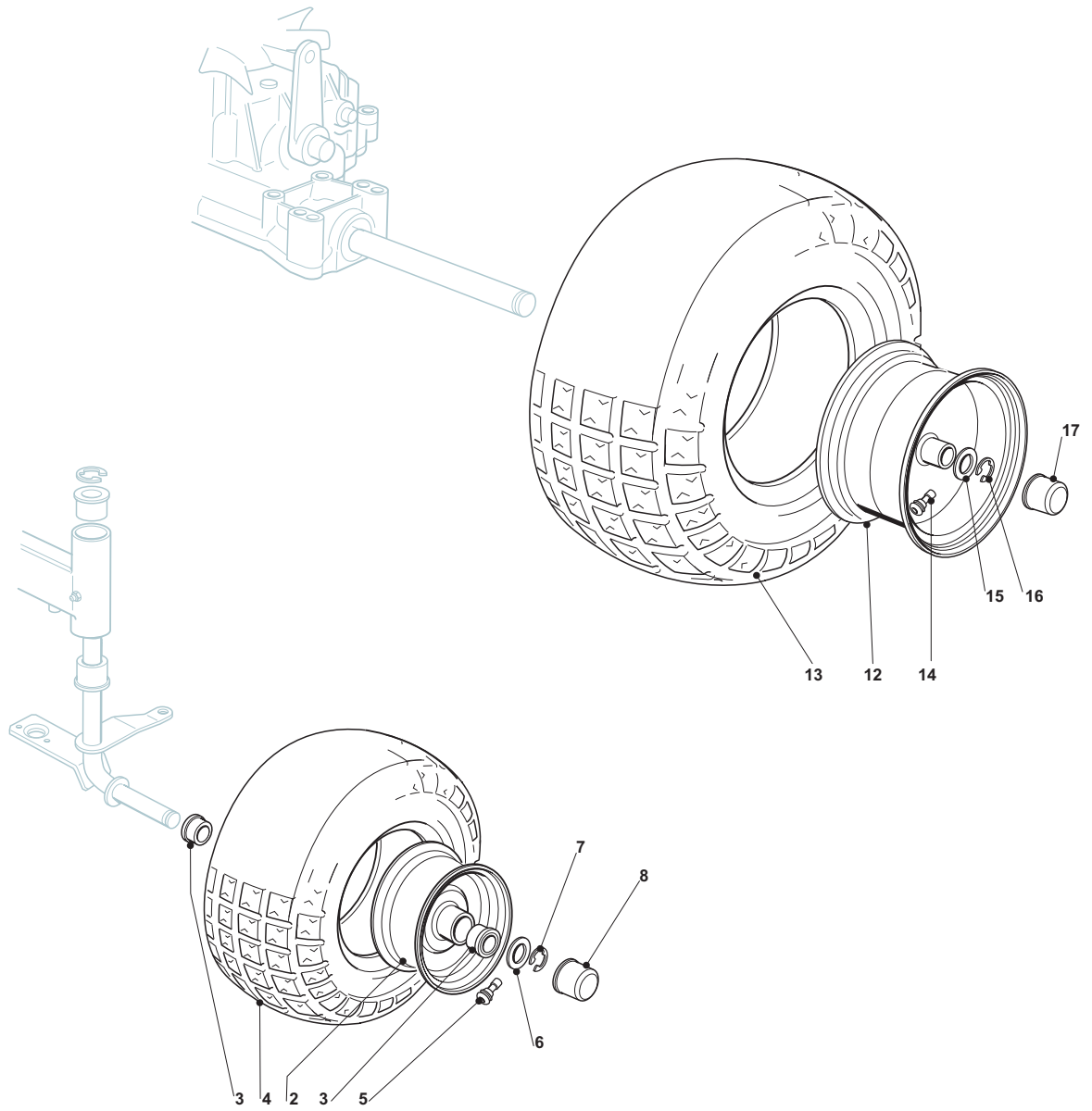
Wheels							
POS	CODE	Q.TY	DESCRIZIONE	DESCRIPTION	DESCRIPTION	BESCHREIBUNG	NOTES
2	182000598/0	2	Cerchio Ruota	Rimm	Bandage Roue	Vorderrad Felger	
3	25122200/2	4	Cuscinetto	Bearing	Roulement	Lager	
4	125590014/0	2	Pneumatico 13 "	Tyre 13 "	Pneu 13 "	Reifen 13 "	
4	127590066/0	2	Pneumatico 15"	Tyre 15"	Pneu 15"	Reifen 15"	
5	25950000/0	2	Valvola	Valve	Soupape	Ventil	
6	25670005/1	2	Rosetta	Washer	Rondelle	Scheibe	
7	12001000/0	2	Anello Elastico	Snap Ring	Anneau Ressort	Sprengring	
8	22110230/0	2	Coprimezzo	Hub Cover	Couvre Moyeu	Nabendeckel	
12	182000599/0	2	Cerchio Ruota	Rimm	Bandage Roue	Hintrerrad Felger	
13	125590015/0	2	Pneumatico	Shoe	Pneu	Reifen	
14	25950000/0	2	Valvola	Valve	Soupape	Ventil	
15	25670005/1	2	Rosetta	Washer	Rondelle	Scheibe	
16	12001010/0	2	Anello Elastico	Snap Ring	Anneau Ressort	Sprengring	
17	22110230/0	2	Coprimezzo	Hub Cover	Couvre Moyeu	Nabendeckel	



Wheels							
POS	CODE	Q.TY	DESCRIZIONE	DESCRIPTION	DESCRIPTION	BESCHREIBUNG	NOTES
2	182000598/0	2	Cerchio Ruota	Rimm	Bandage Roue	Vorderrad Felger	
3	25122200/2	4	Cuscinetto	Bearing	Roulement	Lager	
4	125590014/0	2	Pneumatico 13 "	Tyre 13 "	Pneu 13 "	Reifen 13 "	
4	127590066/0	2	Pneumatico 15"	Tyre 15"	Pneu 15"	Reifen 15"	
5	25950000/0	2	Valvola	Valve	Soupape	Ventil	
6	25670005/1	2	Rosetta	Washer	Rondelle	Scheibe	
7	12001000/0	2	Anello Elastico	Snap Ring	Anneau Ressort	Sprengring	
8	82110252/0	2	Coprinozzo	Hub Cover	Couvre Moyeu	Nabendeckel	
12	182000599/0	2	Cerchio Ruota	Rimm	Bandage Roue	Hintrerrad Felger	
13	125590015/0	2	Pneumatico	Shoe	Pneu	Reifen	
14	25950000/0	2	Valvola	Valve	Soupape	Ventil	
15	25670005/1	2	Rosetta	Washer	Rondelle	Scheibe	
16	12001010/0	2	Anello Elastico	Snap Ring	Anneau Ressort	Sprengring	
17	82110253/0	2	Copri ruota Post.	Rear Wheel Deck	Couvre Roue Post.	Hinterraddeckel	



Wheels							
POS	CODE	Q.TY	DESCRIZIONE	DESCRIPTION	DESCRIPTION	BESCHREIBUNG	NOTES
2	182000598/0	2	Cerchio Ruota	Rimm	Bandage Roue	Vorderrad Felger	
3	25122200/2	4	Cuscinetto	Bearing	Roulement	Lager	
4	125590014/0	2	Pneumatico 13 "	Tyre 13 "	Pneu 13 "	Reifen 13 "	
4	127590066/0	2	Pneumatico 15"	Tyre 15"	Pneu 15"	Reifen 15"	
5	25950000/0	2	Valvola	Valve	Soupape	Ventil	
6	25670005/1	2	Rosetta	Washer	Rondelle	Scheibe	
7	12001000/0	2	Anello Elastico	Snap Ring	Anneau Ressort	Sprengring	
8	82110274/0	2	Coprinozzo	Hub Cover	Couvre Moyeu	Nabendeckel	
12	182000599/0	2	Cerchio Ruota	Rimm	Bandage Roue	Hintrerrad Felger	
13	125590015/0	2	Pneumatico	Shoe	Pneu	Reifen	
14	25950000/0	2	Valvola	Valve	Soupape	Ventil	
15	25670005/1	2	Rosetta	Washer	Rondelle	Scheibe	
16	12001010/0	2	Anello Elastico	Snap Ring	Anneau Ressort	Sprengring	
17	82110275/0	2	Copri ruota Post.	Rear Wheel Deck	Couvre Roue Post.	Hinterraddeckel	



Wheels							
POS	CODE	Q.TY	DESCRIZIONE	DESCRIPTION	DESCRIPTION	BESCHREIBUNG	NOTES
2	82000590/1	2	Cerchio Ruota	Rimm	Bandage Roue	Vorderrad Felger	
3	25122200/2	4	Cuscinetto	Bearing	Roulement	Lager	
4	125590020/0	2	Pneumatico 15"	Tyre 15"	Pneu 15"	Reifen 15"	
5	25950000/0	2	Valvola	Valve	Soupape	Ventil	
6	25670005/1	2	Rosetta	Washer	Rondelle	Scheibe	
7	12001000/0	2	Anello Elastico	Snap Ring	Anneau Ressort	Sprengring	
8	22110230/0	2	Coprimezzo	Hub Cover	Couvre Moyeu	Nabendeckel	
12	82000592/0	2	Cerchio Ruota	Rimm	Bandage Roue	Hinterrad Felger	
13	125590022/0	2	Pneumatico	Tyre	Pneu	Reifen	
14	25950000/0	2	Valvola	Valve	Soupape	Ventil	
15	25670005/1	2	Rosetta	Washer	Rondelle	Scheibe	
16	12001010/0	2	Anello Elastico	Snap Ring	Anneau Ressort	Sprengring	
17	22110230/0	2	Coprimezzo	Hub Cover	Couvre Moyeu	Nabendeckel	