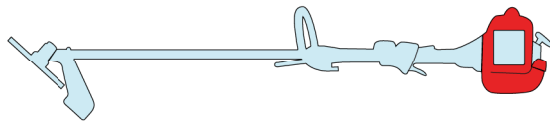


534

534D

540

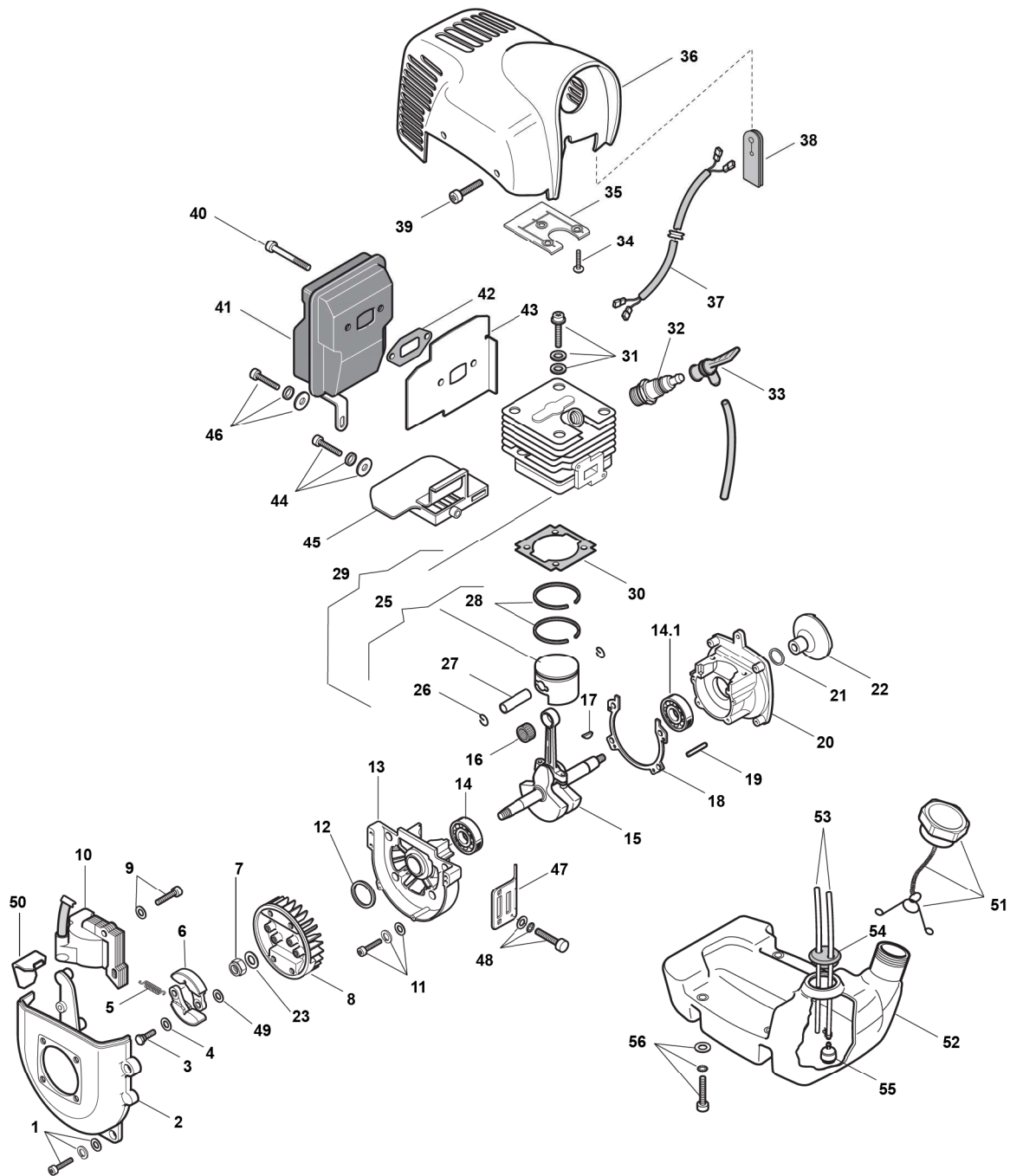
540D



2007

281.0

1 / 2



N.	CODE	Q.TY	DESCRIZIONE	DESCRIPTION	DESCRIPTION	BESCHREIBUNG	REMARKS
1	6981118	4	SET VITERIA	SCREWS SET	SET VISSERIE	SATZ SCHRAUBEN	
2	6981082	1	CARTER SUPP. TRASMISSIONE	TRANSM.SUPPORT CASE	CARTER SUPP. TRANSM.	GEHÄUSE GETRIEBE-PLATTFORM	
3	6981085	2	VITE	SCREW	VIS	SCHRAUBE	
4	6981086	2	ROSETTA	WASHER	RONDELLE	SCHEIBE	
5	6981084	1	MOLLA FRIZIONE	SPRING	RESSORT	KUPPLUNGSFEDER	
6	6981083	2	MASSA FRIZIONE	CLUTCH UNIT	EMBAYAGE	REIBUNGSMASSE	
7	6981143	1	DADO	NUT	ECROU	MUTTER	
8	6981064	1	ASS. VOLANO C/MASSE	FLYWHEEL ASS.Y	ENS. VOLANT	SCHWUNGRAD MAGNET	
9	6981116	2	SET VITERIA	SCREWS SET	SET VISSERIE	SATZ SCHRAUBEN	
10	6981065	1	BOBINA ELETTRONICA	ELETTRONIC COIL	BOBINE ÉLECTRONIQUE	ELEKTRONIKSPULE	
11	6981259	4	SET VITERIA	SCREWS SET	SET VISSERIE	SATZ SCHRAUBEN	





N.	CODE	Q.TY	DESCRIZIONE	DESCRIPTION	DESCRIPTION	BESCHREIBUNG	REMARKS
12	6981008	1	ANELLO DI TENUTA	SEAL RING	ANNEAU DE TENUE	DICHTRING	
13	6981058	1	CARTER MOTORE, ANTERIORE	FRONT CRANK CASE	CARTER MOTEUR, AVANT	VORDERMOTORABDECKUNG	
14	6981288	2	CUSCINETTO A SFERE	BALL BEARING	ROUL. À BILLES	KUGELLAGER	
14,1	6981110	1	CUSCINETTO A SFERE	BALL BEARING	ROUL. À BILLES	KUGELLAGER	
15	6981054	1	ASS. ALBERO MOTORE	CRANKSHAFT	ARBRE MOTEUR	SET MOTORWELLE	
16	6981055	1	ASTUCCIO A RULLI	NEEDLE BEARING	ROUL. À AIGUILLES	WALZENROHR	
17	6981057	1	LINGUETTA VOLANO	FLYWHEEL KEY	CLAVETTE VOLANT	LASCHE SCHWUNGRAD	
18	6981059	1	GUARNIZIONE CARTERS	GASKET	JOINT	DICHTUNG ABDECKUNG	
19	6981126	3	SPINA DI CENTRAGGIO	CENTRING PIN	GOUPILLE DE CENTRAGE	ZENTRIERSTIFT	
20	6981076	1	CARTER MOTORE POSTERIORE	REAR CRANK CASE	CARTER MOTEUR, ARRIERE	HINTERMOTORABDECKUNG	
21	6981109	1	ANELLO DI TENUTA	SEAL RING	ANNEAU DE TENUE	DICHTRING	
22	6981075	1	COPPA AVVIAMENTO	STARTER CUP	COUPE DÉMARREUR	STARTERGEHÄUSE	
23	6981128	1	ROSETTA	WASHER	RONDELLE	SCHEIBE	
25	6981050	1	ASS. PISTONE	PISTON ASS'Y	ENS.PISTON	SET KOLBEN	534
25	6981093	1	ASS. PISTONE	PISTON ASS'Y	ENS.PISTON	SET KOLBEN	540
26	6981053	2	FERMO SPINOTTO	WASHER, PISTON PIN	CIRCLIP POINTEAU	ANSCHLAG ZAPPEN	
27	6981052	1	SPINOTTO PISTONE	PISTON PIN	POINTEAU PISTON	KOLBENBOLZEN	534
27	6981127	1	SPINOTTO PISTONE	PISTON PIN	POINTEAU PISTON	KOLBENBOLZEN	540
28	6981051	2	FASCIA ELASTICA	PISTON RING	COLLIER ÉLASTIQUE	KOLBENRING	534
28	6981094	2	FASCIA ELASTICA	PISTON RING	COLLIER ÉLASTIQUE	KOLBENRING	540
29	6981048	1	ASS. CILINDRO - PISTONE	CYLINDER - PISTON ASS'Y	ENS.CYLINDRE-PISTON	SET ZYLINDER-KOLBEN	534
29	6981092	1	ASS. CILINDRO - PISTONE	CYLINDER - PISTON ASS'Y	ENS.CYLINDRE-PISTON	SET ZYLINDER-KOLBEN	540
30	6981049	1	GUARNIZIONE CILINDRO	CYLINDER GASKET	JOINT CYLINDRE	ZYLINDERDICHTUNG	
31	6981108	4	SET VITERIA	SCREWS SET	SET VISSERIE	SATZ SCHRAUBEN	
32	6981106	1	CANDELA	SPARK PLUG	BOUGIE	ZÜNDKERZE	
33	6981023	1	PROTEZIONE CANDELA	COVER, SPARK PLUG	COVER, SPARK PLUG	ZÜNDKERZENSCHUTZ	
34	6981285	3	SET VITERIA	SCREWS SET	SET VISSERIE	SATZ SCHRAUBEN	
35	6981063	1	PROTEZIONE	GUARD ASSY	PROTECTION	SCHUTZE	
36	6981123	1	CUFFIA COPRICILINDRO ARANCIONE	ENGINE COVER ORANGE	SHIELD ORANGE	ZYLINDERKOPFKAPPE ORANGE	
37	6981067	2	CAVI AVVIAMENTO	SWITCH WIRES	ENS. CÂBLE DÉMARRAGE	SATZ KABEL, START	
38	6981021	1	FERMACAVO	CABLE RETAINER	FIXATION CABLE	KABELBEFESTIGUNG	
39	6981117	3	SET VITERIA	SCREWS SET	SET VISSERIE	SATZ SCHRAUBEN	
40	6981283	2	SET VITERIA	SCREWS SET	SET VISSERIE	SATZ SCHRAUBEN	534
40	6981284	2	SET VITERIA	SCREWS SET	SET VISSERIE	SATZ SCHRAUBEN	540
41	6981072	1	SILENZIATORE	MUFFLER	SILENCIEUX	SCHALLDÄMPFER	534
41	6981095	1	SILENZIATORE	MUFFLER	SILENCIEUX	SCHALLDÄMPFER	540
42	6981074	1	GUARNIZIONE SILENZIATORE	GASKET	JOINT SILENCIEUX	DICHTUNG SCHALLDÄMPFER	
43	6981073	1	PROTEZIONE SILENZIATORE	MUFFLER SHIELD	PROTECTION	SCHUTZE	
44	6981117	1	SET VITERIA	SCREWS SET	SET VISSERIE	SATZ SCHRAUBEN	
45	6981061	1	PROTEZIONE	GUARD ASSY	PROTECTION	SCHUTZE	
46	6981117	1	SET VITERIA	SCREWS SET	SET VISSERIE	SATZ SCHRAUBEN	
47	6981062	1	PROTEZIONE	GUARD ASSY	PROTECTION	SCHUTZE	
48	6981117	1	SET VITERIA	SCREWS SET	SET VISSERIE	SATZ SCHRAUBEN	
49	6981277	2	ROSETTA	WASHER	RONDELLE	SCHEIBE	
50	6981088	1	FERMO	RETAINER	BUTOIR	SPERRUNG	
51	6981091	1	ASS. TAPPO MISCELA	CAP ASS'Y, FUEL TANK	BOUCHON MÉLANGE	SET DECKEL TREIBSTOFF	
52	6981087	1	ASS. SERBATOIO MIX.	KIT FUEL TANK	ENS.RÉSERVOIR MÉLANGE	SET TREIBSTOFFTANK	
53	6981089	2	TUBI CARBURANTE	FUEL HOSE	TUBE DE CONNEXION	VERBINDUNGSRÖHR	
54	6981039	1	ASS. GOMMINO PASSA-TUBI	GROMMET ASSY	ENS.RONDELLE CAOUTCHOUC	SET GUMMIRINGE	
55	4253291	1	PESCANTE MISCELA	INTAKE FILTER	FILTRE D'ASPIRATION	TAUCHSONDE	534
55	4253290	1	PESCANTE MISCELA	INTAKE FILTER	FILTRE D'ASPIRATION	TAUCHSONDE	540
56	6981102	4	SET VITERIA	SCREWS SET	SET VISSERIE	SATZ SCHRAUBEN	

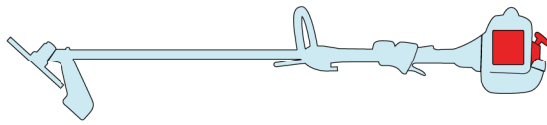


534

534D

540

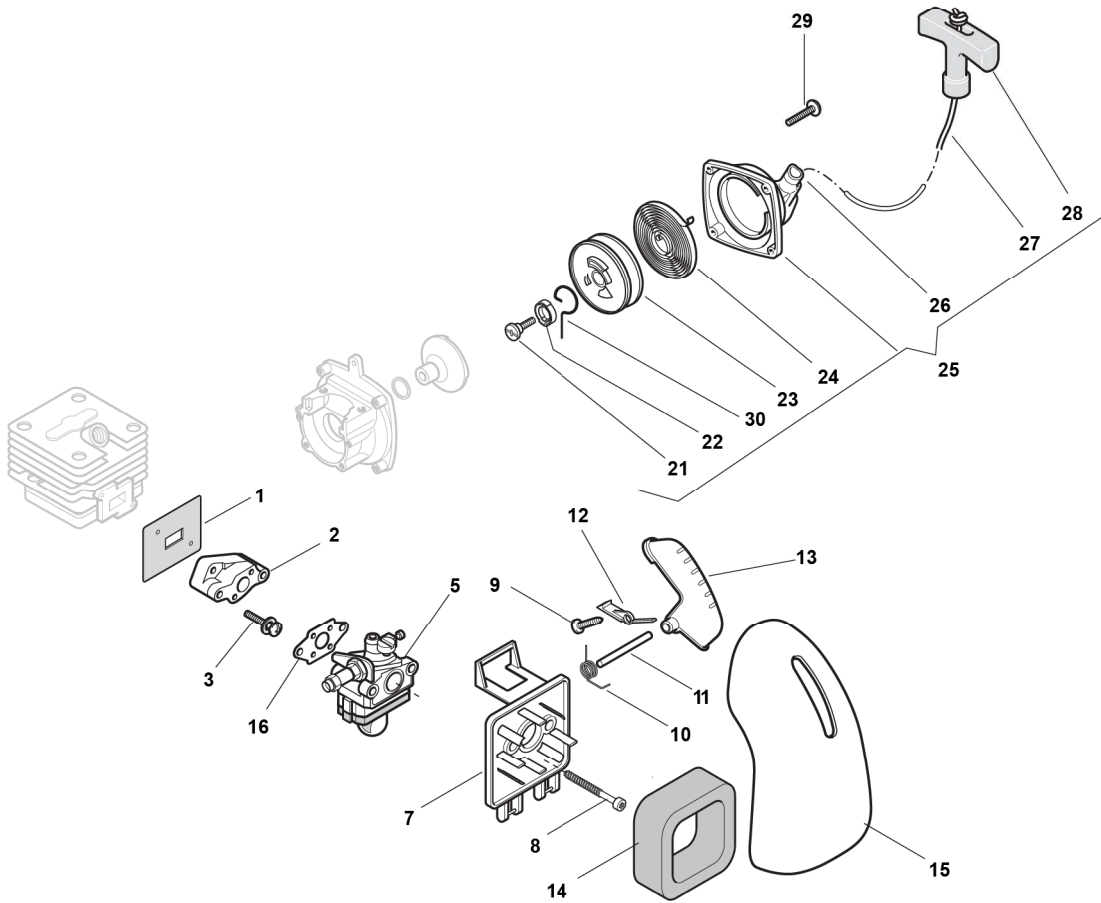
540D



2007

282.0

1 / 2





N.	CODE	Q.TY	DESCRIZIONE	DESCRIPTION	DESCRIPTION	BESCHREIBUNG	REMARKS
1	6981069	1	GUARNIZ.COLLETT-CI-LINDRO	INTAKE MANIF-GASKET	JOINT COLLECT.-CYL.	DICHT. KOLLEKT.-ZYL.	
2	6981068	1	COLLETTORE ASPIRAZIONE	INTAKE MANIFOLD	COLLECTEUR ASPIRATEUR	KOLLEKTOR ANSAUGUNG	
3	6981102	2	SET VITERIA	SCREWS SET	SET VISSERIE	SATZ SCHRAUBEN	
5	23054010/0	1	CARBURATORE	CARBURETTOR	CARBURATEUR	VERGASER	Walbro WYJ 393 (534)
5	23054011/0	1	CARBURATORE	CARBURETTOR	CARBURATEUR	VERGASER	Walbro WYJ 394 (540)
7	6981060	1	SUPP. FILTRO ARIA	AIR FILTER HOLDER	SUPP. FILTRE À AIR	HALTER LUFTFILTER	
8	6981104	2	SET VITERIA	SCREWS SET	SET VISSERIE	SATZ SCHRAUBEN	
9	6981269	2	VITE	SCREW	VIS	SCHRAUBE	
10	6981045	1	MOLLA	SPRING	RESSORT	FEDER	
11	6981046	1	PERNO	PIN	TOURILLON	STIFT	
12	6981047	1	FERMO	RETAINER	BUTOIR	SPERRUNG	
13	6981107	1	PULSANTE	BUTTON	BOUTON	DRUCKKNOPF	
14	6981071	1	FILTRO ARIA	AIR FILTER	FILTRE À AIR	LUFTFILTER	
15	6981124	1	COPRIFILTRO ARIA ARANCIONE	ORANGE FILTER COVER	COUVRE-FILTRE À AIR ORANGE	FILTERABD. ORANGE	
16	6981070	1	KIT MEMB-GUARNIZ	GASKET-DIAPH.SET	KIT MEMBR.-JOINT	SET MEMB.-DICHT.	
21	6981099	1	VITE	SCREW	VIS	SCHRAUBE	
22	6981077	1	FERMO	RETAINER	BUTOIR	SPERRUNG	
23	6981078	1	PULEGGIA AVVIAMENTO	STARTER PULLEY	POULIE DÉMARRAGE	RIEMENSCHIBE STARTER	
24	6981111	1	MOLLA AVVIAMENTO	SPRING	RESSORT	STARTERFEDER	
25	6981080/1	1	ASS. AVVIATORE	STARTER ASS.Y	ENS. DÉMARREUR	SET KUPPLUNG	
26	6981081	1	GUIDA FUNE AVV.TO	ROPE GUIDE	GUIDE CÂBLE DÉMARRAGE	SEIL STARTER FUHRUNG	
27	6981029	1	FUNE AVVIAMENTO	STARTER CORD	CÂBLE DÉMARRAGE	SEIL STARTER	
28	6981027	1	IMPUGNATURA AVV.TO	STARTER HANDLE	POIGNÉE DÉMARRAGE	GRIFF STARTER	
29	6981100	4	SET VITERIA	SCREWS SET	SET VISSERIE	SATZ SCHRAUBEN	
30	6981112	1	AGGANCIO AVVIAMENTO	STARTER HOOK	FIXATION DÉMARREUR	SPERRE STARTER	

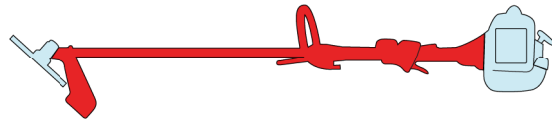


534

534D

540

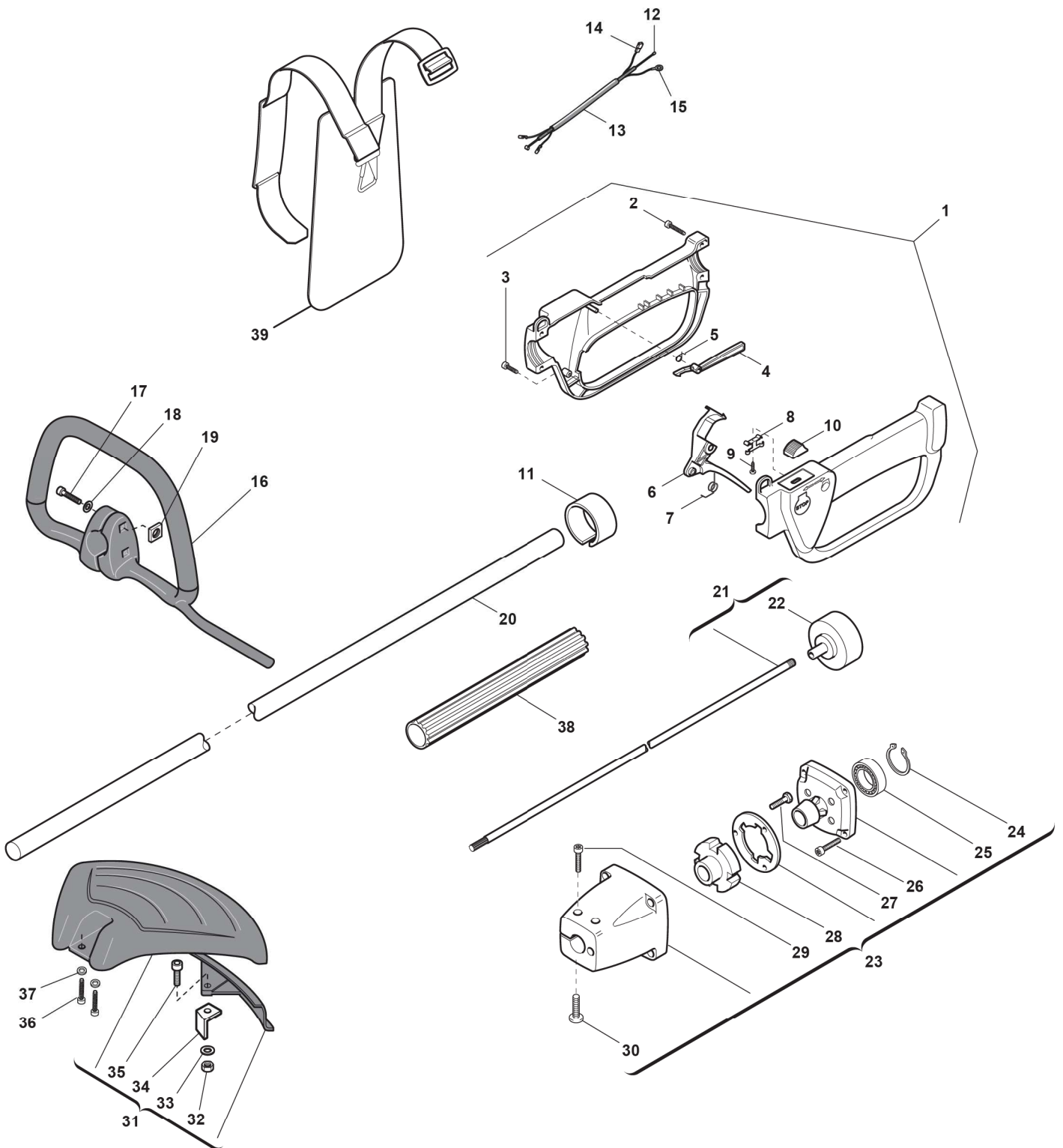
540D



2007

283.0

1 / 2





N.	CODE	Q.TY	DESCRIZIONE	DESCRIPTION	DESCRIPTION	BESCHREIBUNG	REMARKS
1	8562620/1	1	ASS. IMPUGNATURA POST.	HANDLE ASS.Y	ENS.POIGNÉE	SET HANDGRIFF HINTEN	
2	2123030	4	VITE	SCREW	VIS	SCHRAUBE	
3	2123100	2	VITE	SCREW	VIS	SCHRAUBE	
4	3743475	1	LEVA DI SICUREZZA	SAFETY LEVER	LEVIER DE SÉCURITÉ	SICHERHEITSHEBEL	
5	3654300	1	MOLLA LEVA DI SICUREZZA	SPRING	RESSORT	FEDER SICHERHEITSHEBEL	
6	3743465	1	LEVA ACCELERATORE	THROTTLE LEVER	LEVIER ACCÉLÉRATEUR	GASHEBEL	
7	3654270/1	1	MOLLA LEVA ACCELERATORE	SPRING	RESSORT	FEDER GASHEBEL	
8	3612710	1	LAMIERINO DI STOP	STOP PLATE	PLAQUE D'ARRÊT	STOP-PLÄTTCHEN	
9	2123070	1	VITE	SCREW	VIS	SCHRAUBE	
10	3749270	1	POMELLO DI STOP	STOP KNOB	BOUTON D'ARRÊT	STOP-SCHALTER	
11	3749920	2	RIDUZIONE	REDUCTION	RÉDUCTION	REDUZIERSTÜCK	
12	4252540	1	CAVO ACCELERATORE	WIRE ASS.Y	CÂBLE ACCÉLÉR.	STARTERKABEL	
13	3786030	1	GUAINA CAVI	WIRE SHEATH	GAINÉ CÂBLES	KABELMANTEL	
14	23065012/0	1	CAVO BOBINA-INTERRUPTORE	COIL-SWITCH CABLE	CÂBLE BOBINE-INTERRUPT.	SPULENDRAHT-SCHALTER	
15	23065013/0	1	CAVO MASSA	EARTH CABLE	CÂBLE MASSE	ERDUNGSKABEL	
16	23300001/0	1	IMPUGNATURA ANTERIORE	FRONT HANDLE	POIGNÉE AVANT	HANDGRIFF VORNE	
17	2135050	2	VITE	SCREW	VIS	SCHRAUBE	
18	2312090	2	RONDELLA	WASHER	RONDELLE	UNTERLEGSCHIEBE	
19	2461030	2	DADO	NUT	ECROU	MUTTER	
20	8251201	1	ASS.TUBO TRASM.	TRANS.PIPE ASSY	ENS.TUBE TRANSM.	SCHAFTGRUPPE	
21	4251400	1	ASS.ALBERO TRASM.	TRANS.SHAFT ASSY	ENS.ARBRE TRANSM.	SET MOTORWELLE	
22	4121861/1	1	ASS. CAMPANA FRIZIONE	DRUM ASS'Y, CLUTCH	CLOCHE EMBRAYAGE	SET KUPPLUNGSGLOCKE	
23	8562960	1	ASS.SUPPORTO TRASM.	SUPPORT TRASM.ASSY	ENS.SUPPORT TRANSM.	GETRIEBEPLATTFORM	
24	3353080	1	ANELLO SEEGER	RING	CIRCLIP	RING	
25	3112170	1	CUSCINETTO	BEARING	ROULEMENT	LAGER	
26	2135160	4	VITE	SCREW	VIS	SCHRAUBE	
27	2123030	4	VITE	SCREW	VIS	SCHRAUBE	
28	3744260	1	GOMMINO ANTIVIB.	SHOCK ABSORBER	CAOUTCHOUC ANTI-VIBRAT.	SCHWINGUNGSDÄMPFER	
29	2123110	2	VITE	SCREW	VIS	SCHRAUBE	
30	2123100	1	VITE	SCREW	VIS	SCHRAUBE	
31	8563570	1	ASS. PARASPRUZZI	SAFETY COVER ASS.Y	ENS. CAPOT ANTI-PROJECTIONS	SET SPRITZSCHUTZ	
32	12154330/0	1	DADO	NUT	ECROU	MUTTER	
33	2312150	1	RONDELLA	WASHER	RONDELLE	UNTERLEGSCHIEBE	
34	3615000	1	LAMIERINO TAGLIAFILO	LINE CUTTER	COUPE-FIL	DRAHTSCHERENBLECH	
35	2135030	1	VITE	SCREW	VIS	SCHRAUBE	
36	2135060	2	VITE	SCREW	VIS	SCHRAUBE	
37	2312150	2	RONDELLA	WASHER	RONDELLE	UNTERLEGSCHIEBE	
38	23170000/0	1	DISTANZIALE	SPACER	ENTRETOISE	THERMOISOLIERUNG	
39	4253460	1	BRETELLA	HARNESS	HARNAIS	GURTZEUG	

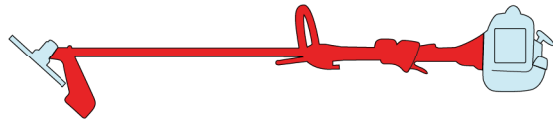


534

534D

540

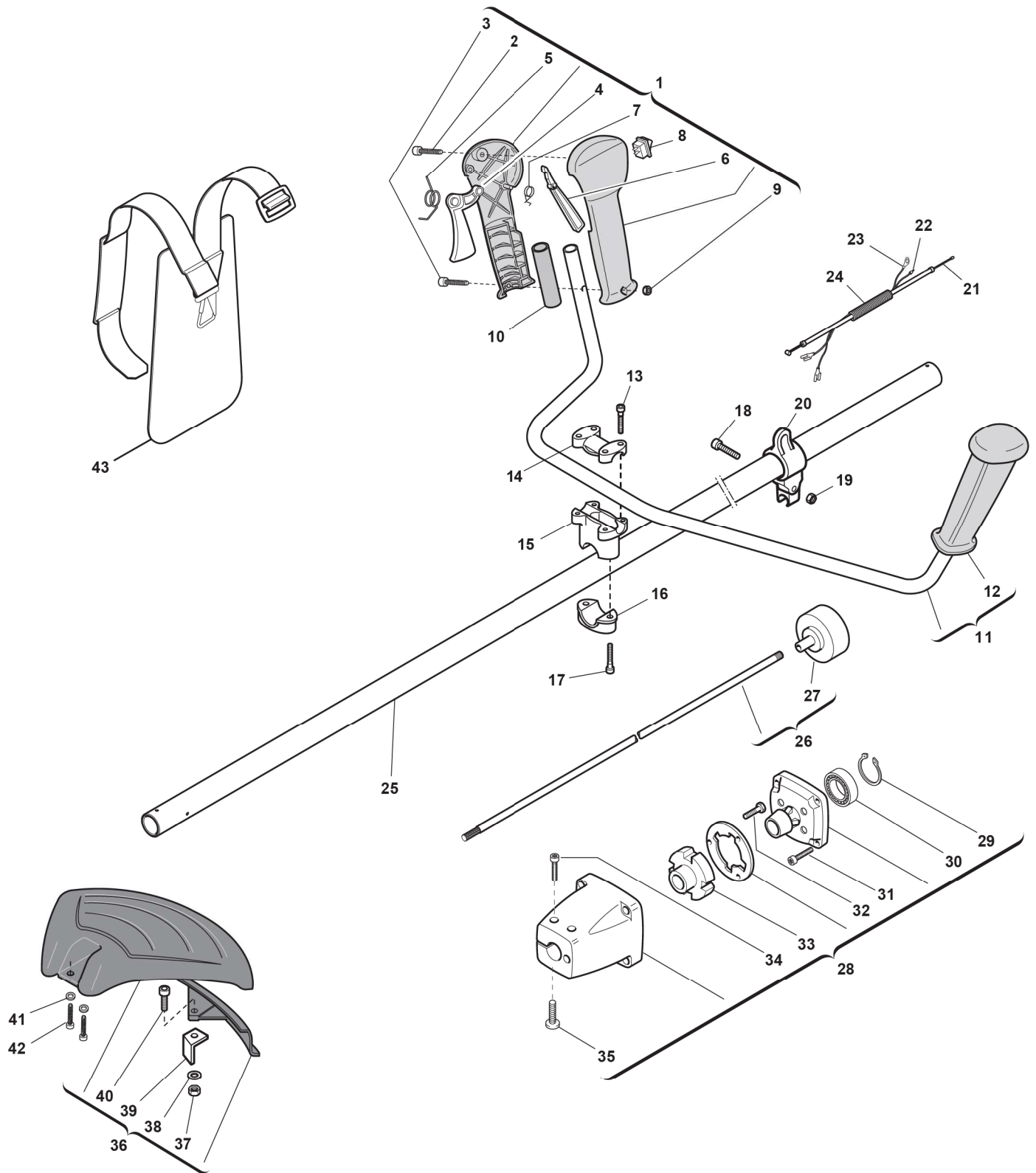
540D



2007

283a.0

1 / 2





N.	CODE	Q.TY	DESCRIZIONE	DESCRIPTION	DESCRIPTION	BESCHREIBUNG	REMARKS
1	8563830	1	ASS. IMPUGNATURA	HANDLE ASS.Y	ENS.POIGNÉE	SET HANDGRIFF	
2	2123030	1	VITE	SCREW	VIS	SCHRAUBE	
3	2135050	1	VITE	SCREW	VIS	SCHRAUBE	
4	3743431/1	1	LEVA ACCELERATORE	THROTTLE LEVER	LEVIER ACCÉLÉRATEUR	GASHEBEL	
5	3654270/1	1	MOLLA LEVA ACCELERATORE	SPRING	RESSORT	FEDER GASHEBEL	
6	3743441	1	LEVA DI SICUREZZA	SAFETY LEVER	LEVIER DE SÉCURITÉ	SICHERHEITSHEBEL	
7	3654280/1	1	MOLLA LEVA DI SICUREZZA	SPRING	RESSORT	FEDER SICHERHEITSHEBEL	
8	3210970	1	INTERRUTTORE STOP	STOP SWITCH	INTERRUPTEUR D'ARRÊT	STOP-SCHALTER	
9	12154330/0	1	DADO	NUT	ECROU	MUTTER	
10	23655001/0	1	RIDUZIONE	REDUCTION	RÉDUCTION	REDUZIERSTÜCK	
11	83394003/0	1	ASS. MANUBRIO	HANDLE ASS.Y	ENS. GUIDON	SET HANDGRIFF	
12	23395050/0	1	IMPUGNATURA SINISTRA	LEFT HANDLE	POIGNÉE GAUCHE	HANDGRIFF LINKS	
13	2135060	4	VITE	SCREW	VIS	SCHRAUBE	
14	4541500/1	1	SUPPORTO MANUBRIO SUP.	UPPER HANDGRIP SUPPORT	SUPPORT GUIDON SUP.	HANDGRIFFHALTER UNTERTEIL	
15	4541490/1	1	SUPPORTO MANUBRIO	HANDLE SUPPORT	SUPPORT GUIDON	HANDGRIFFHALTER	
16	4541510	1	ASS.SUPPORTO MANUBRIO INF.	LOWER HANDGRIP SUPPORT	SUPPORT GUIDON INF.	HANDGRIFFHALTER OBERTEIL	
17	2135050	2	VITE	SCREW	VIS	SCHRAUBE	
18	2135040	1	VITE	SCREW	VIS	SCHRAUBE	
19	2412030	1	DADO	NUT	ECROU	MUTTER	
20	23780000/0	1	SUPPORTO BRETELLE	HARNESS SUPPORT	SUPPORT HARNAIS	GURTZEUGHALTER	
21	4252720	1	CAVO ACCELERATORE	WIRE ASS.Y	CÂBLE ACCÉLÉR.	STARTERKABEL	
22	23065002/0	1	CAVO BOBINA-INTERRUTTORE	COIL-SWITCH CABLE	CÂBLE BOBINE-INTERRUPT.	SPULENDRAHT-SCHALTER	
23	23065015/0	1	CAVO MASSA	EARTH CABLE	CÂBLE MASSE	ERDUNGSKABEL	
24	3786240	1	GUAINA CAVI	WIRE SHEATH	GAINÉ CÂBLES	KABELMANTEL	
25	8251201	1	ASS. TUBO TRASMISS.	TRANSMISSION PIPE ASS.Y	ENS.TUBE TRANSM.	SET ROHR PULSE	
26	4251400	1	ASS.ALBERO TRASM.	TRANS.SHAFT ASSY	ENS.ARBRE TRANSM.	SET MOTORWELLE	
27	4121861/1	1	ASS. CAMPANA FRIZIONE	DRUM ASS'Y, CLUTCH	CLOCHE EMBRAYAGE	SET KUPPLUNGSGLOCKE	
28	8562960	1	ASS.SUPPORTO TRASM.	SUPPORT TRASM.ASSY	ENS.SUPPORT TRANSM.	GETRIEBEPLATTFORM	
29	3353080	1	ANELLO SEEGER	RING	CIRCLIP	RING	
30	3112170	1	CUSCINETTO	BEARING	ROULEMENT	LAGER	
31	2135160	4	VITE	SCREW	VIS	SCHRAUBE	
32	2123030	4	VITE	SCREW	VIS	SCHRAUBE	
33	3744260	1	GOMMINO ANTIVIB.	SHOCK ABSORBER	CAOUTCHOUC ANTI-VIBRAT.	SCHWINGUNGSDÄMPFER	
34	2123110	2	VITE	SCREW	VIS	SCHRAUBE	
35	2123100	1	VITE	SCREW	VIS	SCHRAUBE	
36	8563570	1	ASS. PARASPRUZZI	SAFETY COVER ASS.Y	ENS. CAPOT ANTI-PROJECTIONS	SET SPRITZSCHUTZ	
37	2432040	1	DADO	NUT	ECROU	MUTTER	
38	2312150	1	ROSETTA	WASHER	RONDELLE	SCHEIBE	
39	3615000	1	LAMIERINO TAGLIAFILO	LINE CUTTER	COUPE-FIL	DRAHTSCHERENBLECH	
40	2135030	1	VITE	SCREW	VIS	SCHRAUBE	
41	2312150	2	ROSETTA	WASHER	RONDELLE	SCHEIBE	
42	2135060	2	VITE	SCREW	VIS	SCHRAUBE	
43	4253460	1	BRETELLA	HARNESS	HARNAIS	GURTZEUG	

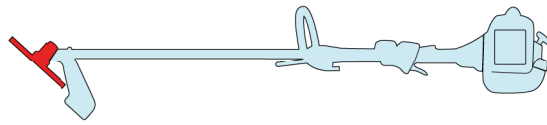


534

534D

540

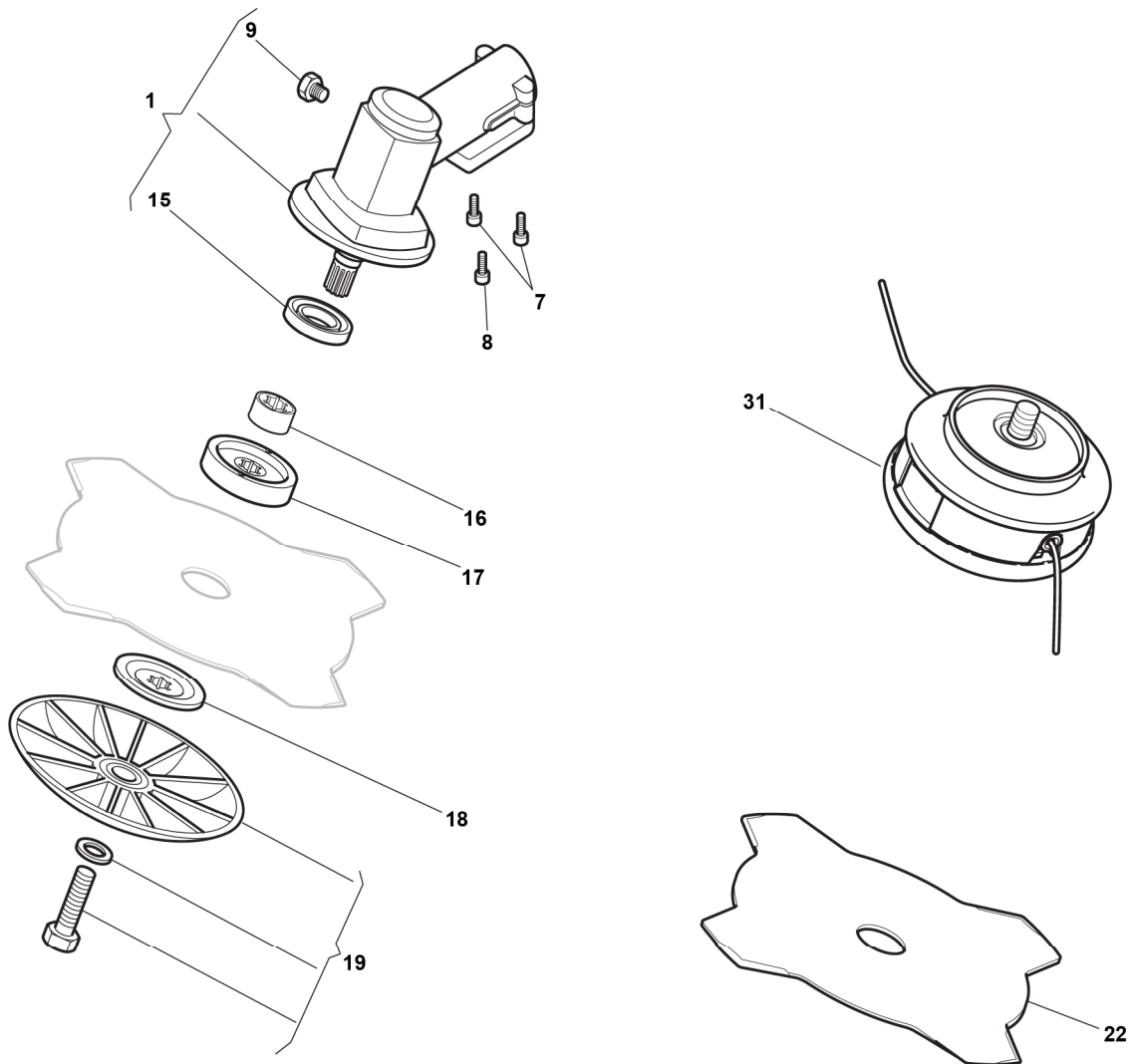
540D



2007

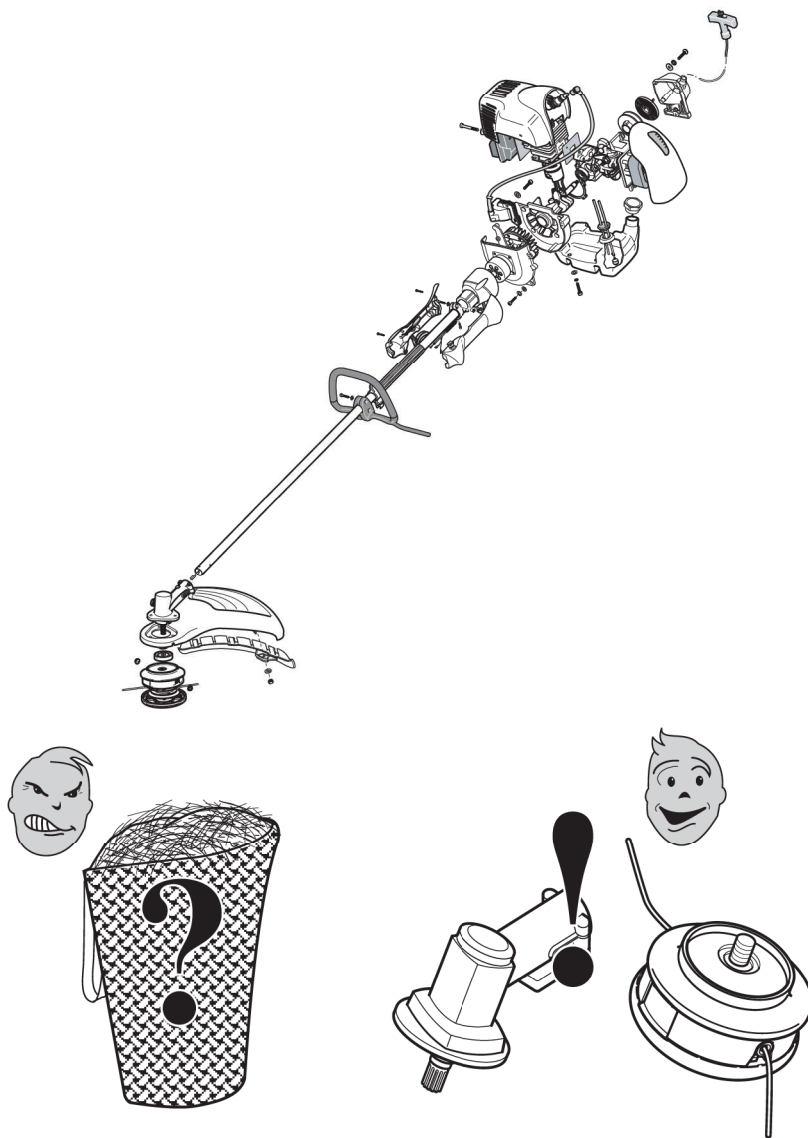
284.0

1 / 1



N.	CODE	Q.TY	DESCRIZIONE	DESCRIPTION	DESCRIPTION	BESCHREIBUNG	REMARKS
1	4252780/1	1	ASS.TESTINA INGRANAGGI Ø26MM	GEAR CASE ASSY Ø26MM	ENS. BOÎTE ENGREN. Ø26MM	SET ZAHNRADGETRIEBE Ø26MM	
7	2135050	2	VITE	SCREW	VIS	SCHRAUBE	
8	2653090	1	VITE	SCREW	VIS	SCHRAUBE	
9	2653460	1	VITE	SCREW	VIS	SCHRAUBE	
15	3121170	1	ANELLO DI TENUTA	SEAL RING	ANNEAU DE TENUE	DICHTRING	
16	3641700/1	1	COLLARE	COLLAR	COLLIER	STELLRING	
17	3641640	1	GHIERA SUPERIORE	UPPER RING NUT	BAGUE SUPÉRIEURE	OBERER RINGBOLZEN	
18	3612640	1	GHIERA INFERIORE	LOWER RING NUT	BAGUE INFÉRIEURE	UNTERER RINGBOLZEN	
19	4560610	1	COPPA FISSA	STABILIZER	STABILISATEUR	STABILISATOR	
20	2321230	1	ROSETTA	WASHER	RONDELLE	SCHEIBE	
21	2653170	1	VITE	SCREW	VIS	SCHRAUBE	
22	4611880	1	DISCO 4 PUNTE 25 CM	4 TEETH DISC 25 CM	LAME À 4 DENTS 25 CM	SCHEIBE / 4 ZÄHNE 25 CM	
31	4353240/1	1	TESTINA 2 FILI TAP & GO	2 HEDGES NYLON HEAD	TÊTE À 2 FILS NYLON	2 DRAHTSCHEIBE	





USARE SOLO RICAMBI ORIGINALI!
USE ONLY GENUINE SPARE PARTS!
UTILISER DES PIÈCES DE RECHANGE D'ORIGINE!
NUR ORIGINALERSATZTEILE VERWENDEN!