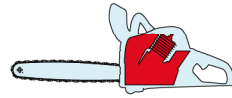


PR

270

270 C

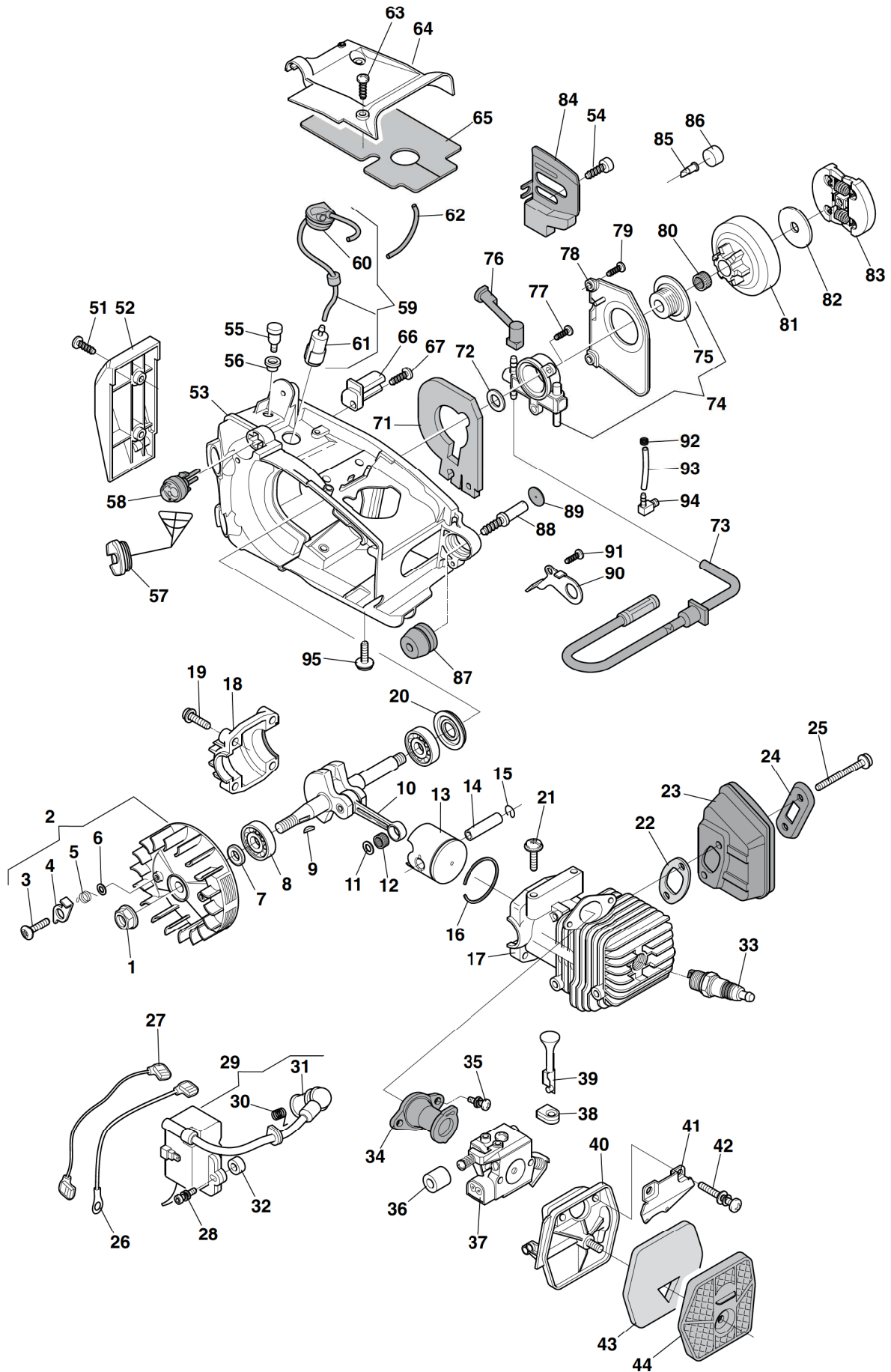
280



2009

MS021.0

1 / 4



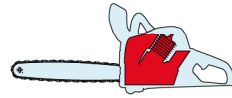
| POS. | CODE | Q.TY | DESCRIZIONE | DESCRIPTION | DESCRIPTION | BESCHREIBUNG | REMARKS |
|------|------------|------|------------------------------|-----------------------|--------------------------|-------------------------|---------|
| 1 | 6995173 | 1 | DADO | NUT | ECROU | MUTTER | |
| 2 | 6995207 | 1 | ASS. VOLANO MAGNETE | FLYWHEEL ASSY | VOLANT AIMANT | SCHWUNGRAD MAGNET | |
| 3 | 6995224 | 2 | VITE | SCREW | VIS | SCHRAUBE | |
| 4 | 6995208 | 2 | AGGANCIO VOLANO | FLYWHEEL STARTER HOOK | FIXATION VOLANT | SPERRE SCHWUNGRAD | |
| 5 | 6995250 | 2 | MOLLA AGGANCIO | FLYWHEEL SPRING | RESSORT FIXATION | FEDER SPERRUNG | |
| 6 | 6995225 | 2 | RONDELLA | WASHER | RONDELLE | UNTERLEGSCHIEBE | |
| 7 | 6995247 | 1 | ANELLO DI TENUTA | SEAL RING | ANNEAU DE TENUE | DICHTRING | |
| 8 | 6995170 | 2 | CUSCINETTO | BALL BEARING | ROULEMENT | LAGER | |
| 9 | 6995018 | 1 | LINGUETTA VOLANO | FLYWHEEL KEY | LANGUETTE VOLANT | LASCHE SCHWUNGRAD | |
| 10 | 6995202 | 1 | ALBERO MOTORE | CRANKSHAFT | ARBRE MOTEUR | MOTORWELLE | |
| 11 | 6995169 | 2 | RONDELLA | WASHER | RONDELLE | UNTERLEGSCHIEBE | |
| 12 | 6995237 | 1 | ASTUCCIO A RULLI | NEEDLE BEARING | ROUL. AIGUILLES | WALZENROHR | |
| 13 | 6995200 | 1 | PISTONE | PISTON | PISTON | KOLBEN | |
| 14 | 6995172 | 1 | SPINOTTO PISTONE | PISTON PIN | POINTEAU PISTON | KOLBENBOLZEN | |
| 15 | 6995171 | 2 | FERMO SPINOTTO | CIRCLIP | CIRCLIP POINTEAU | BOLZENSPERRE | |
| 16 | 6995201 | 1 | FASCIA ELASTICA | PISTON RING | COLLIER ÉLASTIQUE | KOLBENRING | |
| 17 | 6995245 | 1 | ASS. CILINDRO | CYLINDER ASSY | ENS.CYLINDRE | SET ZYLINDER | |
| 18 | 6995186 | 1 | COPPA SOTTOCILINDRO | STABILIZER | STABILISATEUR | STABILISATOR | |
| 19 | 6995252 | 4 | VITE | SCREW | VIS | SCHRAUBE | |
| 20 | 6995248 | 1 | ANELLO DI TENUTA | SEAL RING | ANNEAU DE TENUE | DICHTRING | |
| 21 | 6995229 | 4 | VITE | SCREW | VIS | SCHRAUBE | |
| 22 | 6995185 | 1 | GUARNIZIONE SILENZIA-TORE | MUFFLER GASKET | GARNITURE SILENCIEUX | DICHTUNG SCHALLDÄM-PFER | |
| 23 | 6995246 | 1 | SILENZIATORE | MUFFLER | SILENCIEUX | SCHALLDÄMPFER | |
| 24 | 6995251 | 1 | PIASTRINA | PLATE | PLAQUE | HALTEBLECH | |
| 25 | 6995182 | 2 | VITE | SCREW | VIS | SCHRAUBE | |
| 26 | 6995210 | 1 | CAVO MASSA | EARTH CABLE | CÂBLE MASSE | ERDUNGSKABEL | |
| 27 | 6995227 | 1 | CAVO DI STOP | STOP WIRE | CÂBLE ARRÊT | KABELSPERRE | |
| 28 | 6995234 | 2 | VITE | SCREW | VIS | SCHRAUBE | |
| 29 | 6995209 | 1 | BOBINA ELETTRONICA | ELECTRONIC COIL | BOBINE ÉLECTRONIQUE | ELEKTRONIKSPULE | |
| 30 | 6995022 | 1 | MOLLA ATTACCO CAN-DELA | SPARK PLUG SPRING | RESSORT FIXATION BOUGIE | FEDER ZÜNDKERZENBEF. | |
| 31 | 6995066 | 1 | CAPPUCCIO CANDELA | SPARK PLUG COVER | CAPUCHON BOUGIE | ZÜNDKERZENKAPPE | |
| 32 | 6995238 | 2 | DISTANZIALE | BUSHING | ENTRETOISE | DISTANZSTÜCK | |
| 33 | 3210024 | 1 | CANDELA | SPARK PLUG | BOUGIE | ZÜNDKERZE | |
| 34 | 6995183 | 1 | ASS. COLLETTORE ASPI-RAZIONE | INTAKE MANIFOLD ASSY | COLLECTEUR ASPIRA-TION | KOLLEKTOR ANSAUGUNG | |
| 35 | 6995167 | 2 | VITE | SCREW | VIS | SCHRAUBE | |
| 36 | 6995212 | 1 | GUARNIZIONE | GASKET | GARNITURE | DICHTUNG | |
| 37 | 6995244 | 1 | CARBURATORE | CARBURETTOR | CARBURATEUR | VERGASER | |
| 38 | 6995214 | 1 | GOMMINO LEVA ARIA | GROMMET | CAOUTCHOUC LEVIER AIR | GUMMI CHOKERHEBEL | |
| 39 | 6995213 | 1 | TIRANTE LEVA ARIA | CHOKER LEVER ROD | TIRANT MANETTE AIR | SPANNSTIFT CHOKERHE-BEL | |
| 40 | 6995243 | 1 | BASE FILTRO ARIA | AIR FILTER SUPPORT | BASE POUR FILTRE À HUILE | BASIS F. LUFTFILTER | |
| 41 | 6995211 | 1 | PIASTRINA | PLATE | PLAQUE | PLATTE | |
| - | 6995168 | 2 | VITE | SCREW | VIS | SCHRAUBE | |
| 43 | 6995217 | 1 | FILTRO ARIA | AIR FILTER | FILTRE À AIR | LUFTFILTER | |
| 44 | 6995216 | 1 | COPERCHIO FILTRO ARIA | AIR CLEANER COVER | COUVERCLE FILTRE AIR | LUFTFILTERDECKEL | |
| 51 | 23878008/0 | 2 | VITE | SCREW | VIS | SCHRAUBE | |
| 52 | 6995175 | 1 | CARTER ANTERIORE | FRONT COVER | COUVERCLE AVANT | DECKEL | |

PR

270

270 C

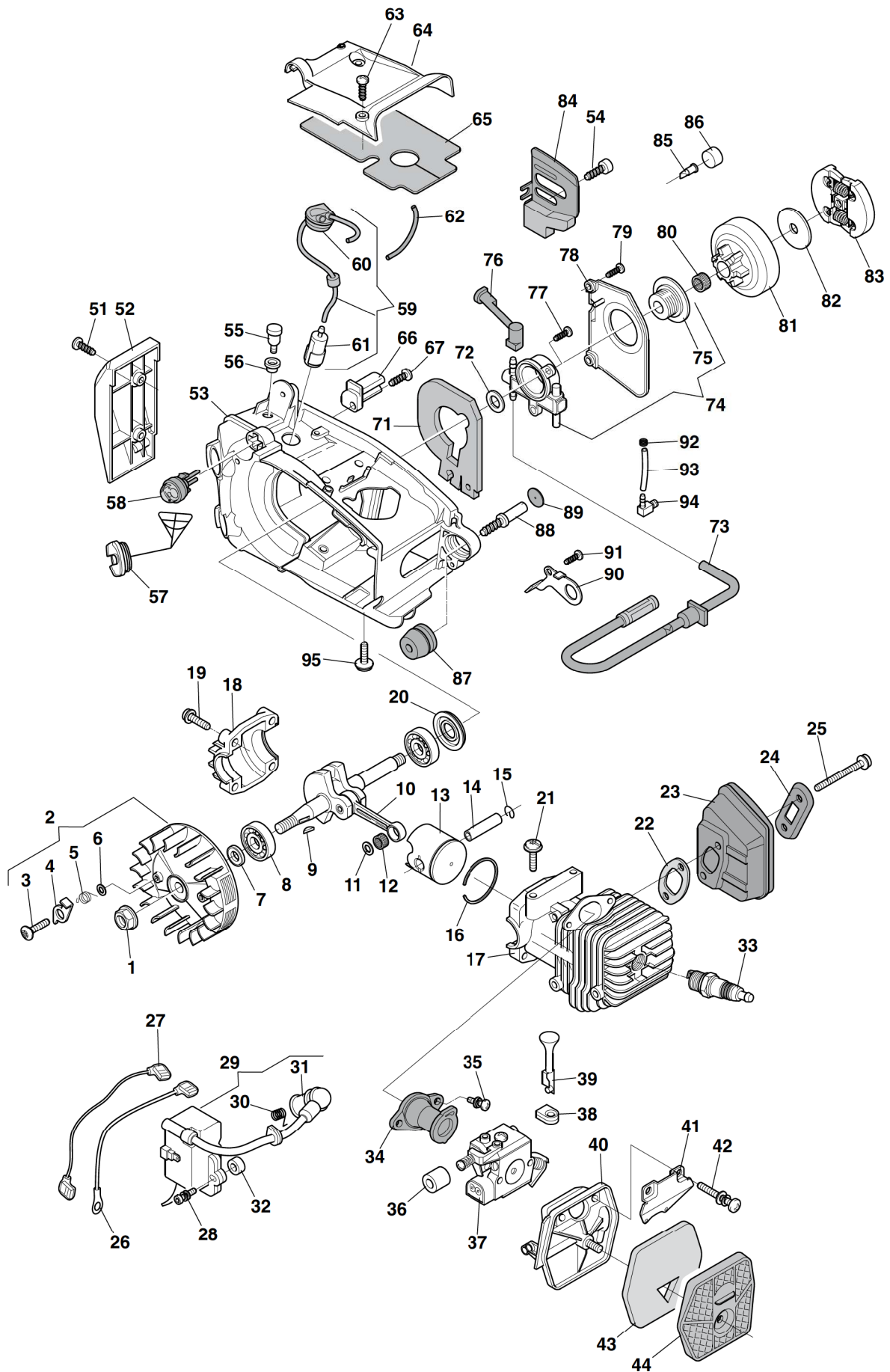
280



2009

MS021.0

3 / 4



| POS. | CODE | Q.TY | DESCRIZIONE | DESCRIPTION | DESCRIPTION | BESCHREIBUNG | REMARKS |
|------|-------------|------|---------------------------|------------------------------|------------------------------|--------------------------|---------|
| 53 | 6995239 | 1 | ASS.CARTER MOTORE | CRANKASE ASS.Y | ENS. CARTER MOTEUR | PAAR MOTORABDE-CKUNG | |
| 54 | 6995187 | 2 | VITE | SCREW | VIS | SCHRAUBE | |
| 55 | 6995221 | 1 | ASS. VALVOLA SFIATO | BREATHER VALVE ASSY | VANNE ÉVENT RÉSER-VOIR | SET LÜFTUNGSVENTIL | |
| 56 | 6995232 | 1 | GOMMINO | GROMMET | CAOUTCHOUC | GUMMI | |
| 57 | 6995193 | 2 | ASS. TAPPO | CAP ASS'Y | BOUCHON | SET DECKEL | |
| 58 | 6995228 | 1 | AIR PURGE | AIR PURGE | AIR PURGE | AIR PURGE | |
| 59 | 6995188 | 1 | ASS. TUBO PESCANTE | GROMMET ASS.Y | ENS.RONDELLE CAOU-TCHOUC | SET GUMMIRINGE | |
| 60 | 6995189 | 1 | GOMMINO PASSATUBO | GROMMET | CAOUTCHOUC PASSE-CÂBLE | GUMMI | |
| 61 | 6995174 | 1 | ASS. PESCANTE MI-SCELA | FUEL PICKUP ASSY | PLONGEUR MÉLANGE | TREIBSTOFFZUFUHR | |
| 62 | 6995190 | 1 | TUBO | TUBE | TUBE | ROHR | |
| 63 | 23878008/0 | 2 | VITE | SCREW | VIS | SCHRAUBE | |
| 64 | 6995249 | 1 | CARTER SUPERIORE | UPPER COVER | COUVERCLE SUPERIEU-RE | DECKEL | |
| 65 | 6995194 | 1 | PROTEZIONE | GUARD | PROTECTION | SCHUTZ | |
| 66 | 6995180 | 1 | FERMACATENA | CHAIN GUARD | BUTÉE CHAÎNE | KETTENSTOP | |
| 67 | 6995179 | 1 | VITE | SCREW | VIS | SCHRAUBE | |
| 71 | 6995204 | 1 | GUARNIZIONE | GASKET | GARNITURE | DICHTUNG | |
| 72 | 6995223 | 1 | RONDELLA | WASHER | RONDELLE | UNTERLEGSSCHEIBE | |
| 73 | 6995191 | 1 | ASS. PESCANTE OLIO C/TUBO | FILTER INTANK ASSY WITH PIPE | TUBE ASPIRATION HUILE | SATZ ÖLZUFUHR M.SCHLAUCH | |
| 74 | 383594503/0 | 1 | ASS. POMPA OLIO | OIL PUMP ASSY | POMPE À HUILE | SET ÖLPUMPE | |
| 75 | 323878026/0 | 1 | VITE SENZA FINE | FEMALE SCREW | VIS SANS FIN | ENDLOSSCHRAUBE | |
| 76 | 6995205 | 1 | TUBO | TUBE | TUBE | ROHR | |
| 77 | 6995008 | 2 | VITE | SCREW | VIS | SCHRAUBE | |
| 78 | 6995206 | 1 | COPERCHIO POMPA | COVER PUMP | COUVERCLE POMPE | DECKEL ÖLPUMPE | |
| 79 | 23878008/0 | 2 | VITE | SCREW | VIS | SCHRAUBE | |
| 80 | 6995230 | 1 | GABBIA A RULLI | NEEDLE BEARING | CAGE À ROULEMENTS | WALZENKÄFIG | |
| 81 | 6995176 | 1 | ASS.CAMPANA FRIZIONE 3/8" | DRUM ASS'Y, CLUTCH 3/8" | CLOCHE FRICTION 3/8" | SET KUPPLUNGSGLOCKE 3/8" | |
| 81 | 6995178 | 1 | ASS.CAMPANA FRIZIONE 1/4" | DRUM ASS'Y, CLUTCH 1/4" | CLOCHE FRICTION 1/4" | SET KUPPLUNGSGLOCKE 1/4" | |
| 82 | 6995203 | 1 | RASAMENTO CAMPANA | SPROCKET WASHER | RONDELLE CLOCHE | SCHEIBE GLOCKE | |
| 83 | 6995177 | 1 | ASS. FRIZIONE | CLUTCH ASS.Y | FRICTION | SET KUPPLUNG | |
| 84 | 6995241 | 1 | PIASTRINA | PLATE | PLAQUE | PLATTE | |
| 85 | 6995220 | 1 | VALVOLA | VALVE | VANNE | VENTIL | |
| 86 | 6995192 | 1 | GUARNIZIONE | GASKET | GARNITURE | DICHTUNG | |
| 87 | 23275005/0 | 1 | GOMMINO ANTIVIBRANTE | SHOCK ABSORBER | CAOUTCHOUC ANTIVIBRATIONS | SCHWINGUNGSDÄMPFER | |
| 88 | 23878007/0 | 1 | VITE | SCREW | VIS | SCHRAUBE | |
| 89 | 23790006/0 | 1 | TAPPO PER GOMMINO ANTIVIB | CAP | BOUCH. POUR CAOUT. ANTI-VIB. | STOPFEN | |
| 90 | 6995219 | 1 | STAFFA | CLAMP | ETRIER | BRIDE | |
| 91 | 23878009/0 | 1 | VITE | SCREW | VIS | SCHRAUBE | |
| 92 | 6995231 | 1 | FASCETTA | FAIR LED | FIXATION DE CABLE | KABELBEFESTIGUNG | |
| 93 | 6995184 | 1 | TUBO | TUBE | TUBE | ROHR | |
| 94 | 6995235 | 1 | RACCORDO TUBI | TUBE CONNECTION | CONNEXION TUBE | ANSCHLUSS | |
| 95 | 6995181 | 1 | VITE | SCREW | VIS | SCHRAUBE | |

PR

270

270 C

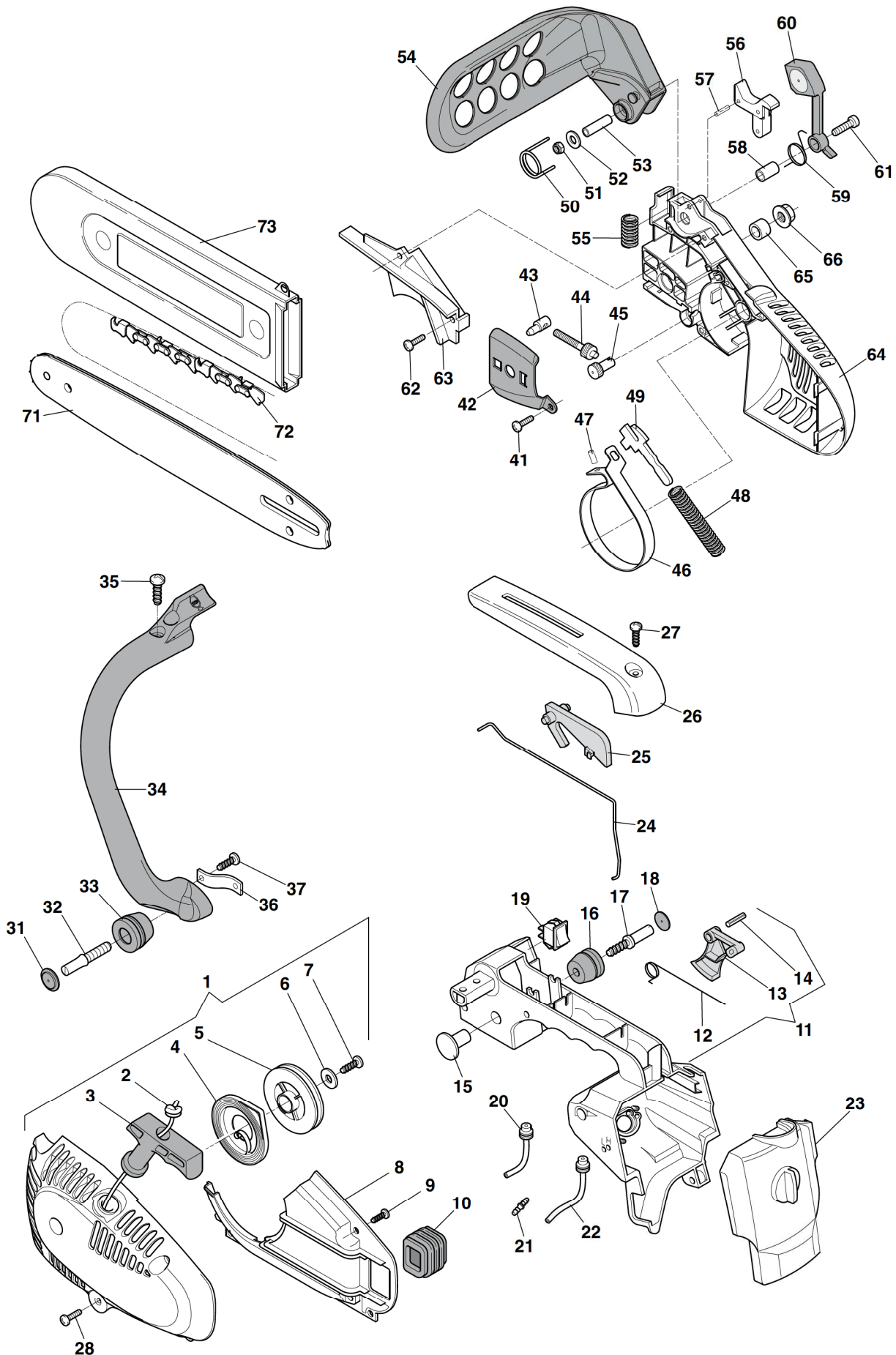
280



2009

MS022.0

1 / 4



| POS. | CODE | Q.TY | DESCRIZIONE | DESCRIPTION | DESCRIPTION | BESCHREIBUNG | REMARKS |
|------|------------|------|-----------------------------|---------------------|------------------------------|------------------------|---------|
| 1 | 83058007/0 | 1 | ASS. AVVIATORE GIALLO | STARTER ASSY YELLOW | DÉMARREUR JAUNE | SET STARTER GELB | |
| - | 83058008/0 | 1 | ASS. AVVIATORE ROSSO | STARTER ASSY RED | DÉMARREUR ROUGE | SET STARTER ROT | |
| 2 | 23234000/0 | 1 | FUNE AVVIAMENTO | STARTER CORD | CÂBLE DÉMARRAGE | SEIL STARTER | |
| 3 | 3750067 | 1 | IMPUGNATURA AVVIAMENTO | STARTER HANDLE | POIGNÉE DÉMARRAGE | GRIFF STARTER | |
| 4 | 23430557/0 | 1 | MOLLA AVVIAMENTO | STARTER SPRING | RESSORT DÉMARRAGE | FEDER STARTER | |
| 5 | 23604001/0 | 1 | PULEGGIA AVVIAMENTO | STARTER PULLEY | POULIE DÉMARRAGE | RIEMENSCHLEIBE STARTER | |
| 6 | 23657002/0 | 1 | RONDELLA | WASHER | RONDELLE | UNTERLEGSCHLEIBE | |
| 7 | 23878010/0 | 1 | VITE | SCREW | VIS | SCHRAUBE | |
| 8 | 23107501/0 | 1 | CONVOGLIATORE ARIA | AIR CONVEYOR | CONVOYEUR AIR | LUFTSAMMELLEITUNG | |
| 9 | 23878008/0 | 1 | VITE | SCREW | VIS | SCHRAUBE | |
| 10 | 23275004/0 | 1 | GOMMINO | GROMMET | CAOUTCHOUC | GUMMI | |
| 11 | 6995240 | 1 | ASS. IMPUGNATURA | HANDLE ASSY | ENS. POIGNÉE | SATZ GELBER | |
| 12 | 6995114 | 1 | MOLLA LEVA ACCELERATORE | SPRING | RESSORT | FEDER GASHEBEL | |
| 13 | 6995134 | 1 | LEVA ACCELERATORE | THROTTLE LEVER | LEVIER ACCÉLÉRATEUR | GASHEBEL | |
| 14 | 6995016 | 1 | SPINA ELASTICA | ELASTIC PIN | CHEVILLE | STIFT | |
| 15 | 6995196 | 1 | TAPPO | CAP | BOUCHON | STOPFEN | |
| 16 | 23275005/0 | 1 | GOMMINO ANTIVIBRANTE | SHOCK ABSORBER | CAOUTCHOUC ANTIVIBRATIONS | SCHWINGUNGSDÄMPFER | |
| 17 | 23878007/0 | 1 | VITE | SCREW | VIS | SCHRAUBE | |
| 18 | 23790006/0 | 1 | TAPPO PER GOMMINO ANTIVIB | CAP | BOUCH. POUR CAOUT. ANTI-VIB. | STOPFEN | |
| 19 | 6995226 | 1 | INTERRUPTORE STOP | SWITCH | INTERRUPTEUR D'ARRÊT | STOP-SCHALTER | |
| 20 | 6995198 | 1 | TUBO | TUBE | TUBE | ROHR | |
| 21 | 6995199 | 2 | RACCORDO TUBI | TUBE CONNECTION | CONNEXION TUBE | ANSCHLUSS | |
| 22 | 6995197 | 2 | TUBO | TUBE | TUBE | ROHR | |
| 23 | 6995218 | 1 | CARTER POSTERIORE | REAR COVER | COUVERCLE ARRIERE | DECKEL | |
| 24 | 6995215 | 1 | TIRANTE ACCELERATORE | THROTTLE ROD | TIGE ACCÉLÉRATEUR | SPANNSTIFT GASHEBEL | |
| 25 | 6995135 | 1 | LEVA SICUREZZA | SAFETY LEVER | LEVIER DE SÉCURITÉ | SICHERHEITSHABEL | |
| 26 | 6995195 | 1 | PARTE SUPERIORE IMPUGNATURA | HANDLE, UPPER PART | POIGNÉE, PARTIE SUPÉRIEURE | GRIFF, OBERTEIL | |
| 27 | 23878008/0 | 1 | VITE | SCREW | VIS | SCHRAUBE | |
| 28 | 23878008/0 | 4 | VITE | SCREW | VIS | SCHRAUBE | |
| 31 | 23790006/0 | 1 | TAPPO PER GOMMINO ANTIVIB | CAP | BOUCH. POUR CAOUT. ANTI-VIB. | STOPFEN | |
| 32 | 23878007/0 | 1 | VITE | SCREW | VIS | SCHRAUBE | |
| 33 | 23275005/0 | 1 | GOMMINO ANTIVIBRANTE | SHOCK ABSORBER | CAOUTCHOUC ANTIVIBRATIONS | SCHWINGUNGSDÄMPFER | |
| 34 | 23105000/0 | 1 | CORRIMANO | HANDLE | MAIN-COURANTE | HANDLAUF | |
| 35 | 23878010/0 | 2 | VITE | SCREW | VIS | SCHRAUBE | |
| 36 | 23200001/0 | 1 | PIASTRINA | PLATE | PLAQUE | PLATTE | |
| 37 | 23878010/0 | 1 | VITE | SCREW | VIS | SCHRAUBE | |
| 41 | 23878009/0 | 1 | VITE | SCREW | VIS | SCHRAUBE | |
| 42 | 23311003/0 | 1 | LAMIERINO BASE BARRA | BAR PLATE | PLAQUETTE GUIDE | BLECH STANGENBASIS | |
| 43 | 23796004/0 | 1 | DADO | NUT | ECROU | MUTTER | |
| 44 | 23878005/0 | 1 | VITE | SCREW | VIS | SCHRAUBE | |
| 45 | 23510093/0 | 1 | PERNO | PIN | PIVOT | BOLZEN | |
| 46 | 23448001/0 | 1 | NASTRO FRENO | BRAKE BAND | BANDE FREIN | BREMSBAND | |
| 47 | 23665001/0 | 1 | RULLINO | NEEDLE | ROULEAU | WALZE | |
| 48 | 23430561/0 | 1 | MOLLA | SPRING | RESSORT | FEDER | |
| 49 | 23315061/0 | 1 | LEVA AGGANCIO FRENO | LEVER | LEVIER ENCLENCHEMENT FREIN | HEBEL F. BREMSE | |

PR

270

270 C

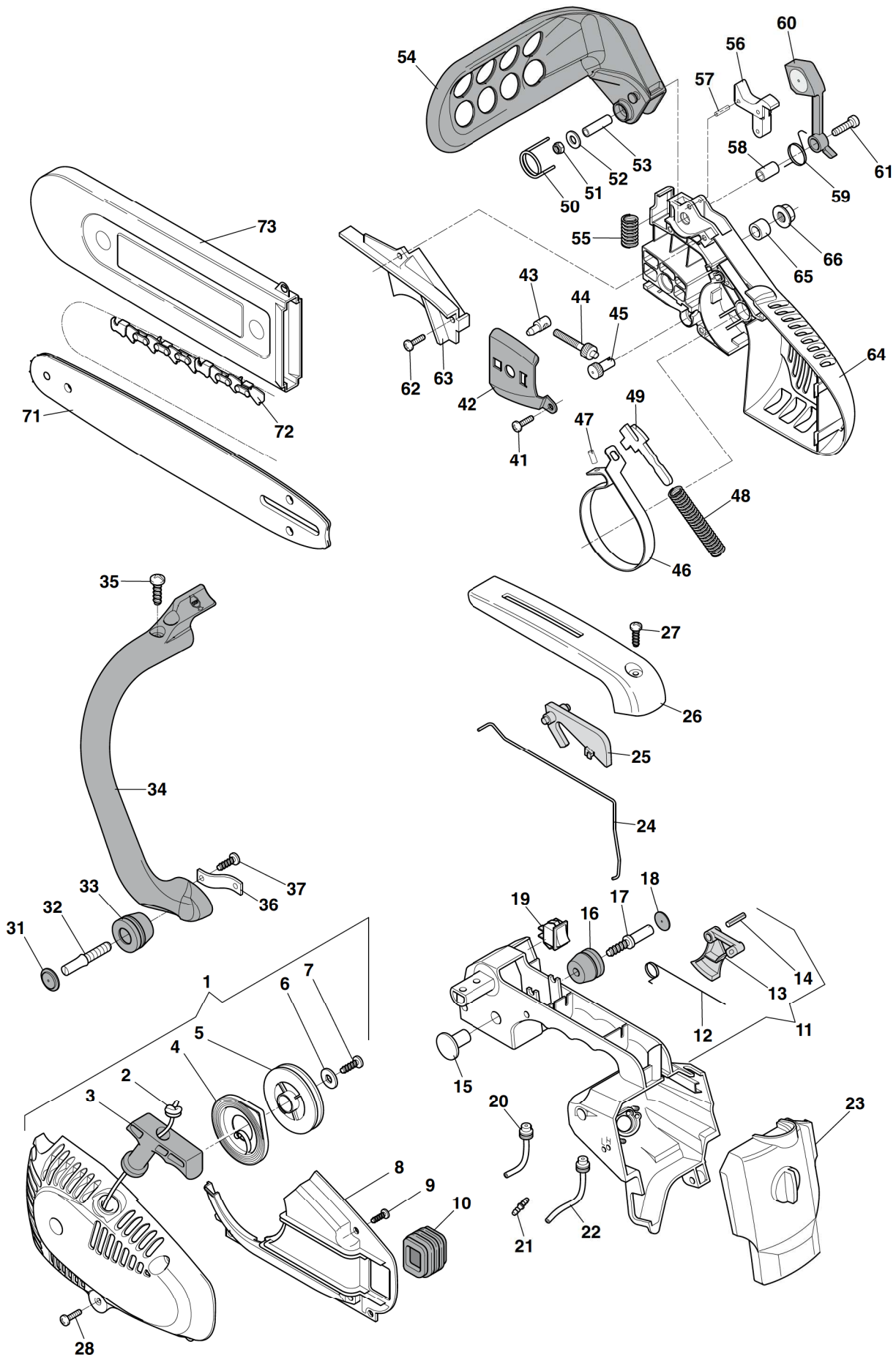
280



2009

MS022.0

3 / 4



| POS. | CODE | Q.TY | DESCRIZIONE | DESCRIPTION | DESCRIPTION | BESCHREIBUNG | REMARKS |
|------|-------------|------|---------------------------------|-----------------------|---------------------------|------------------------|------------------------------------|
| 50 | 23430560/0 | 1 | MOLLA | SPRING | RESSORT | FEDER | |
| 51 | 23120000/0 | 1 | DADO | NUT | ECROU | MUTTER | |
| 52 | 23657003/0 | 1 | RONDELLA | WASHER | RONDELLE | UNTERLEGSCHIEBE | |
| 53 | 23044206/0 | 1 | BOCCOLA | BUSHING | DOUILLE | BÜCHSE | |
| 54 | 23455005/0 | 1 | PARAMANO | HAND GUARD | PROTÈGE-MAIN | HANDSCHUTZ | |
| 55 | 23430559/0 | 1 | MOLLA | SPRING | RESSORT | FEDER | |
| 56 | 83315050/0 | 1 | LEVA AGGANCIAMENTO FRENO CATENA | CHAIN BRAKE LEVER | LEVIER ENCL. FREIN CHAÎNE | KLEMMUNG KETTEN-BREMSE | |
| 57 | 23665000/0 | 1 | RULLINO | NEEDLE | ROULEAU | WALZE | |
| 58 | 23044207/0 | 1 | BOCCOLA | BUSHING | DOUILLE | BÜCHSE | |
| 59 | 23430558/0 | 1 | MOLLA | SPRING | RESSORT | FEDER | |
| 60 | 23080000/0 | 1 | CONTRAPPESO | BALANCE WEIGHT | CONTREPOIDS | GEGENGEWICHT | |
| 61 | 23878006/0 | 1 | VITE | SCREW | VIS | SCHRAUBE | |
| 62 | 23878009/0 | 3 | VITE | SCREW | VIS | SCHRAUBE | |
| 63 | 23109515/0 | 1 | COPERCHIO FRENO | BRAKE COVER | COUVERCLE FREIN | BREMSDECKEL | |
| 64 | 23059008/0 | 1 | CARTER FRIZIONE GIALLO | CLUTCH HOUSING YELLOW | CARTER FRICTION JAUNE | KUPPLUNGSGEH. GELB | |
| - | 23059009/0 | 1 | CARTER FRIZIONE ROSSO | CLUTCH HOUSING RED | CARTER FRICTION ROUGE | KUPPLUNGSGEH. ROT | |
| 65 | 3641380 | 1 | BOCCOLA | BUSHING | DOUILLE | BÜCHSE | |
| 66 | 2670120 | 1 | DADO | NUT | ECROU | MUTTER | |
| 71 | 23900300/0 | 1 | BARRA GUIDA 10" | GUIDE BAR 10" | GUIDE-CHAÎNE 10" | KETTENSTEG 10" | 10" 3/8"MINI .050" (1.3MM) |
| - | 23900301/0 | 1 | BARRA GUIDA 10" | GUIDE BAR 10" | GUIDE-CHAÎNE 10" | KETTENSTEG 10" | 10" CARVING 1/4"MINI .050" (1.3MM) |
| - | 123900114/0 | 1 | BARRA GUIDA 12" | GUIDE BAR 12" | GUIDE-CHAÎNE 12" | KETTENSTEG 12" | 12" 3/8"MINI .050" (1.3MM) |
| 72 | 4113709 | 1 | CATENA 10" | CHAIN 10" | CHAÎNE 10" | KETTE 10" | 10" 3/8" .050" (1.3 MM) - 40E |
| - | 4113760 | 1 | CATENA 10" | CHAIN 10" | CHAÎNE 10" | KETTE 10" | 10" 1/4" .050" (1.3 MM) - 60E |
| - | 4113281 | 1 | CATENA 12" | CHAIN 12" | CHAÎNE 12" | KETTE 12" | 12" 3/8" .050" (1.3 MM) - 45E |
| 73 | 23085000/0 | 1 | COPRIBARRA | CHAIN COVER | PROTÈGE-GUIDE | SCHW. STANGENABDECKUNG | |