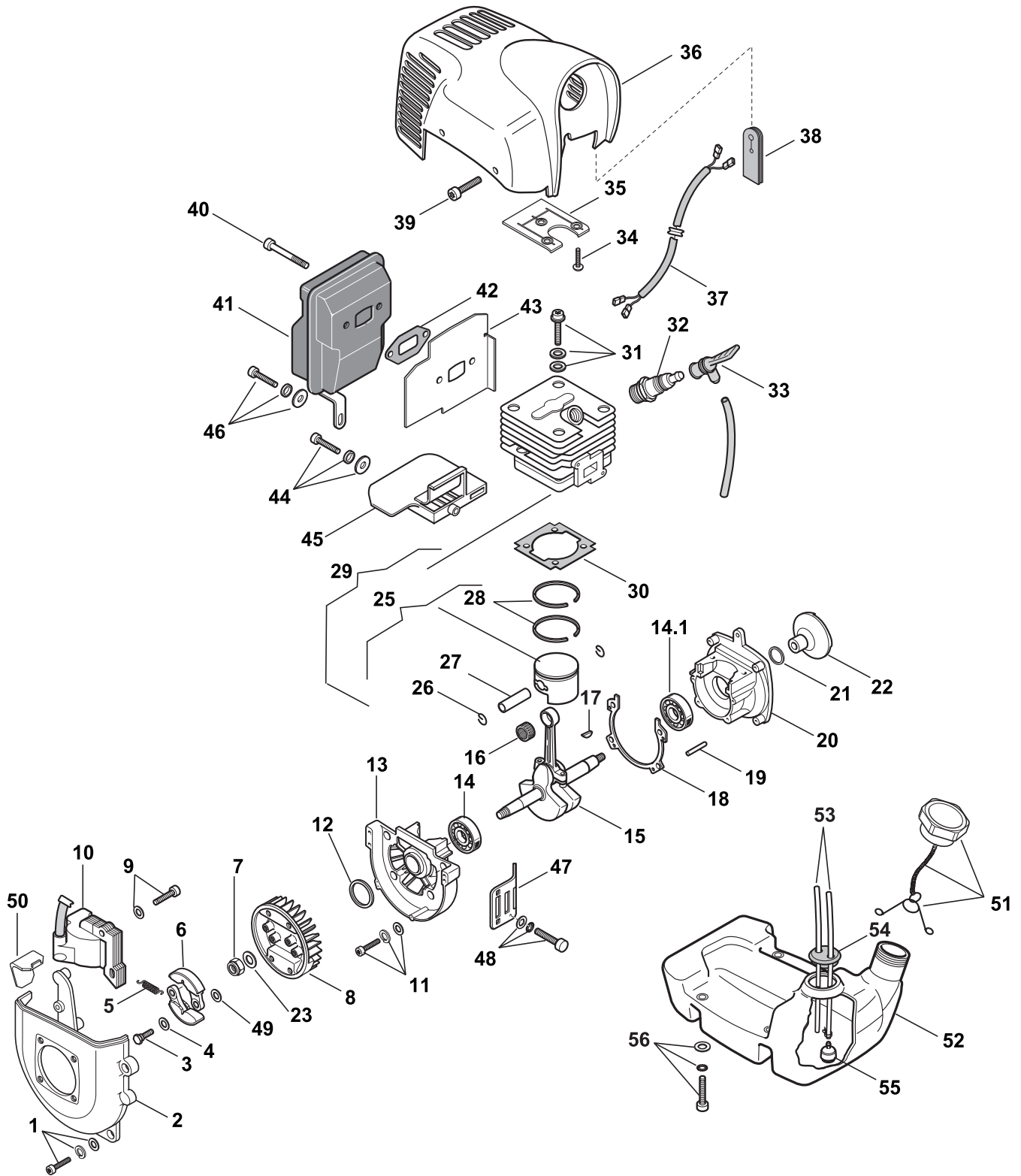
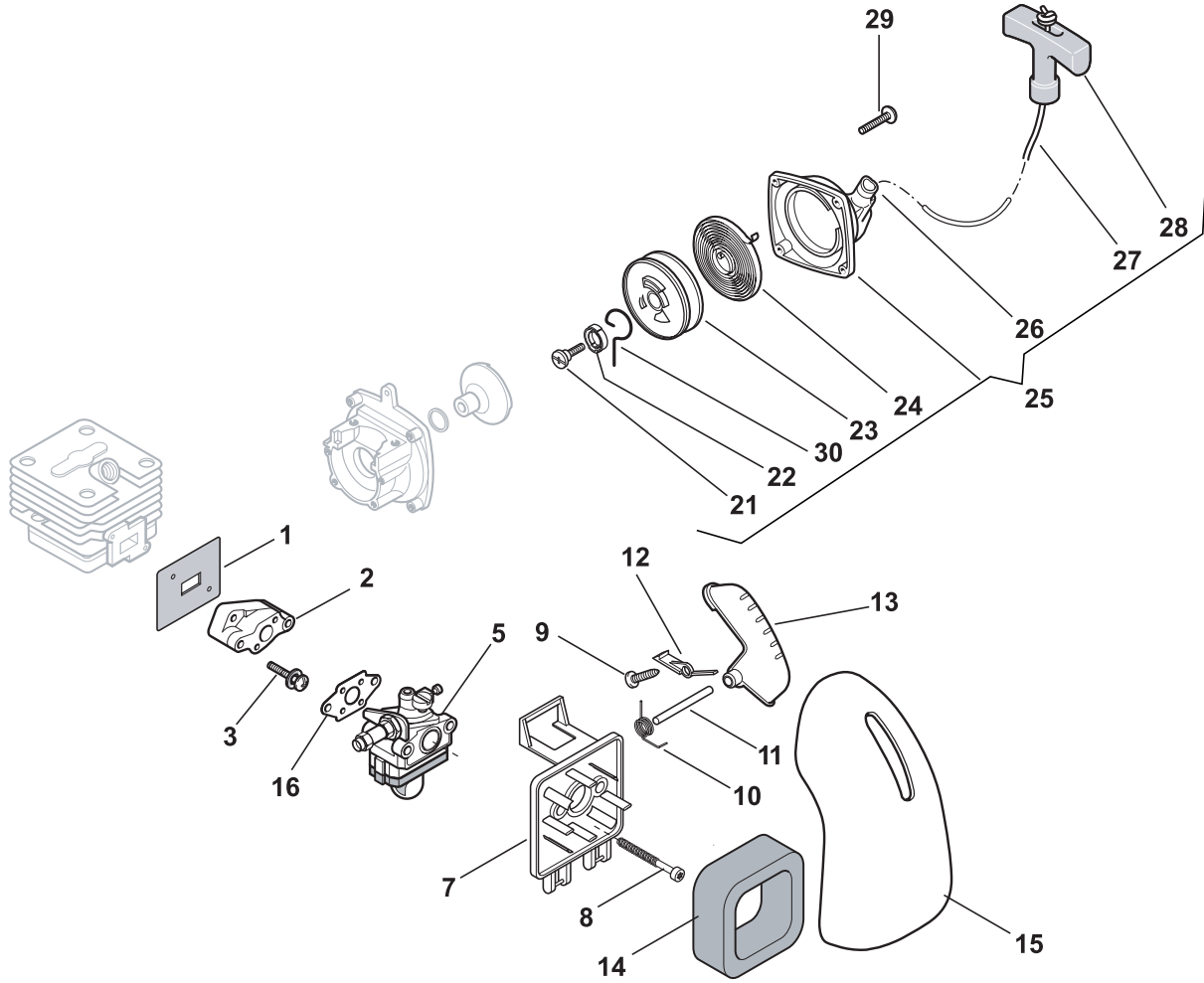


N°	Code	Q.ty	Descrizione	Description	Description	Beschreibung	Remarks
1	6981118	4	Set Viteria	Screws Set	Set Visserie	Satz Schrauben	
2	6981082	1	Carter Supp. Trasmissione	Transm.Support Case	Carter Supp. Transm.	Gehäuse Getriebe- plattform	
3	6981085	2	Vite	Screw	Vis	Schraube	
4	6981086	2	Rosetta	Washer	Rondelle	Scheibe	
5	6981084	1	Molla Frizione	Spring	Ressort	Kupplungsfeder	
6	6981083	2	Massa Frizione	Clutch Unit	Embrayage	Reibungsmasse	
7	6981143	1	Dado	Nut	Ecrou	Mutter	
8	6981064	1	Ass. Volano C/Masse	Flywheel Ass.Y	Ens. Volant	Schwungrad Magnet	
9	6981116	2	Set Viteria	Screws Set	Set Visserie	Satz Schrauben	
10	6981065	1	Bobina Elettronica	Elettronic Coil	Bobine Électronique	Elektronikspule	
11	6981259	4	Set Viteria	Screws Set	Set Visserie	Satz Schrauben	
12	6981008	1	Anello Di Tenuta	Seal Ring	Anneau De Tenue	Dichtring	
13	6981058	1	Carter Motore, Anteriore	Front Crank Case	Carter Moteur, Avant	Vordermotorabde- ckung	
14	6981288	2	Cuscinetto A Sfere	Ball Bearing	Roul. À Billes	Kugellager	
14,1	6981110	1	Cuscinetto A Sfere	Ball Bearing	Roul. À Billes	Kugellager	
15	6981054	1	Ass. Albero Motore	Crankshaft	Arbre Moteur	Set Motorwelle	
16	6981055	1	Astuccio A Rulli	Needle Bearing	Roul. À Aiguilles	Walzenrohr	
17	6981057	1	Linguetta Volano	Flywheel Key	Clavette Volant	Lasche Schwungrad	
18	6981059	1	Guarnizione Carters	Gasket	Joint	Dichtung Abdeckung	
19	6981126	3	Spina Di Centraggio	Centring Pin	Goupille De Centrage	Zentrierstift	
20	6981076	1	Carter Motore Posteriore	Rear Crank Case	Carter Moteur, Arriere	Hintermotorabdeckung	
21	6981109	1	Anello Di Tenuta	Seal Ring	Anneau De Tenue	Dichtring	
22	6981075	1	Coppa Avviamento	Starter Cup	Coupe Démarreur	Startergehäuse	
23	6981128	1	Rosetta	Washer	Rondelle	Scheibe	
25	6981050	1	Ass. Pistone	Piston Ass' Y	Ens.Piston	Set Kolben	534
25	6981093	1	Ass. Pistone	Piston Ass' Y	Ens.Piston	Set Kolben	540
26	6981053	2	Fermo Spinotto	Washer, Piston Pin	Circlip Pointeau	Anschlag Zapfen	
27	6981052	1	Spinotto Pistone	Piston Pin	Pointeau Piston	Kolbenbolzen	534
27	6981127	1	Spinotto Pistone	Piston Pin	Pointeau Piston	Kolbenbolzen	540
28	6981051	2	Fascia Elastica	Piston Ring	Collier Élastique	Kolbenring	534
28	6981094	2	Fascia Elastica	Piston Ring	Collier Élastique	Kolbenring	540
29	6981048	1	Ass. Cilindro - Pistone	Cylinder - Piston Ass'Y	Ens.Cylindre-Piston	Set Zylinder-Kolben	534
29	6981092	1	Ass. Cilindro - Pistone	Cylinder - Piston Ass'Y	Ens.Cylindre-Piston	Set Zylinder-Kolben	540
30	6981049	1	Guarnizione Cilindro	Cylinder Gasket	Joint Cylindre	Zylinderdichtung	
31	6981108	4	Set Viteria	Screws Set	Set Visserie	Satz Schrauben	
32	6981106	1	Candela	Spark Plug	Bougie	Zündkerze	
33	6981023	1	Protezione Candela	Cover, Spark Plug	Cover, Spark Plug	Zündkerzenschutz	
34	6981285	3	Set Viteria	Screws Set	Set Visserie	Satz Schrauben	
35	6981063	1	Protezione	Guard Assy	Protection	Schutze	
36	6981123	1	Cuffia Copricilindro Aran- cione	Engine Cover Orange	Shield Orange	Zylinderkopfkappe Orange	
37	6981067	2	Cavi Avviamento	Switch Wires	Ens. Câble Démarrage	Satz Kabel, Start	
38	6981021	1	Fermacavo	Cable Retainer	Fixation Cable	Kabelbefestigung	
39	6981117	3	Set Viteria	Screws Set	Set Visserie	Satz Schrauben	
40	6981283	2	Set Viteria	Screws Set	Set Visserie	Satz Schrauben	534
40	6981284	2	Set Viteria	Screws Set	Set Visserie	Satz Schrauben	540
41	6981072	1	Silenziatore	Muffler	Silencieux	Schalldämpfer	534
41	6981095	1	Silenziatore	Muffler	Silencieux	Schalldämpfer	540
42	6981074	1	Guarnizione Silenziatore	Gasket	Joint Silencieux	Dichtung Schalldäm- pfer	
43	6981073	1	Protezione Silenziatore	Muffler Shield	Protection	Schutze	
44	6981117	1	Set Viteria	Screws Set	Set Visserie	Satz Schrauben	
45	6981061	1	Protezione	Guard Assy	Protection	Schutze	
46	6981117	1	Set Viteria	Screws Set	Set Visserie	Satz Schrauben	



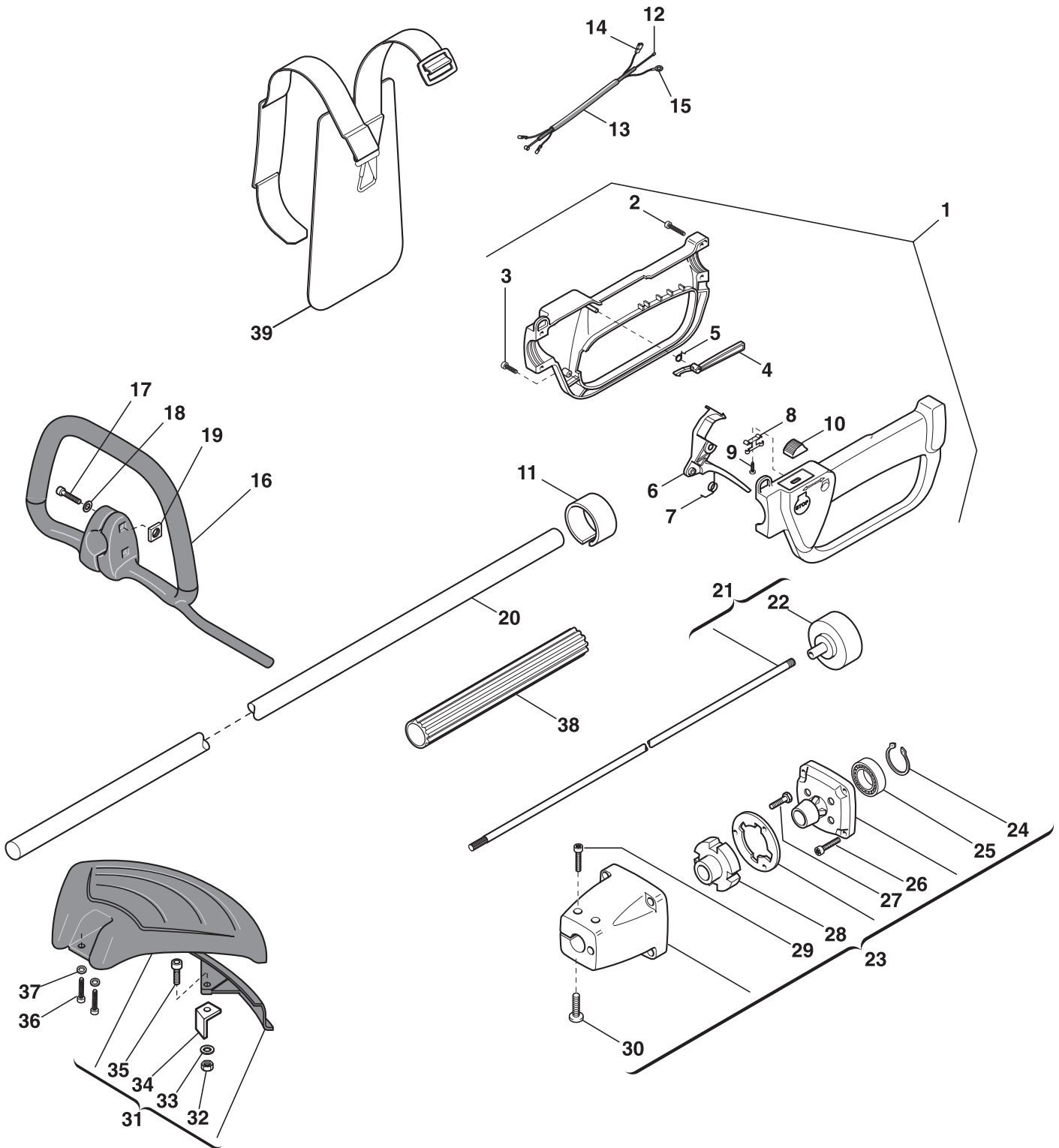


N°	Code	Q.ty	Descrizione	Description	Description	Beschreibung	Remarks
48	6981117	1	Set Viteria	Screws Set	Set Visserie	Satz Schrauben	
49	6981277	2	Rosetta	Washer	Rondelle	Scheibe	
50	6981088	1	Fermo	Retainer	Butoir	Sperrung	
51	6981091	1	Ass. Tappo Miscela	Cap Ass'Y, Fuel Tank	Bouchon Mélange	Set Deckel Treibstoff	
52	6981087	1	Ass. Serbatoio Mix.	Kit Fuel Tank	Ens.Réservoir Mélange	Set Treibstofftank	
53	6981089	2	Tubi Carburante	Fuel Hose	Tube De Connexion	Verbindungsrohr	
54	6981039	1	Ass. Gommino Passatubi	Grommet Assy	Ens.Rondelle Caoutchouc	Set Gummiringe	
55	4253291	1	Pescante Miscela	Intake Filter	Filtre D'Aspiration	Tauchsonde	534
55	4253290	1	Pescante Miscela	Intake Filter	Filtre D'Aspiration	Tauchsonde	540
56	6981102	4	Set Viteria	Screws Set	Set Visserie	Satz Schrauben	

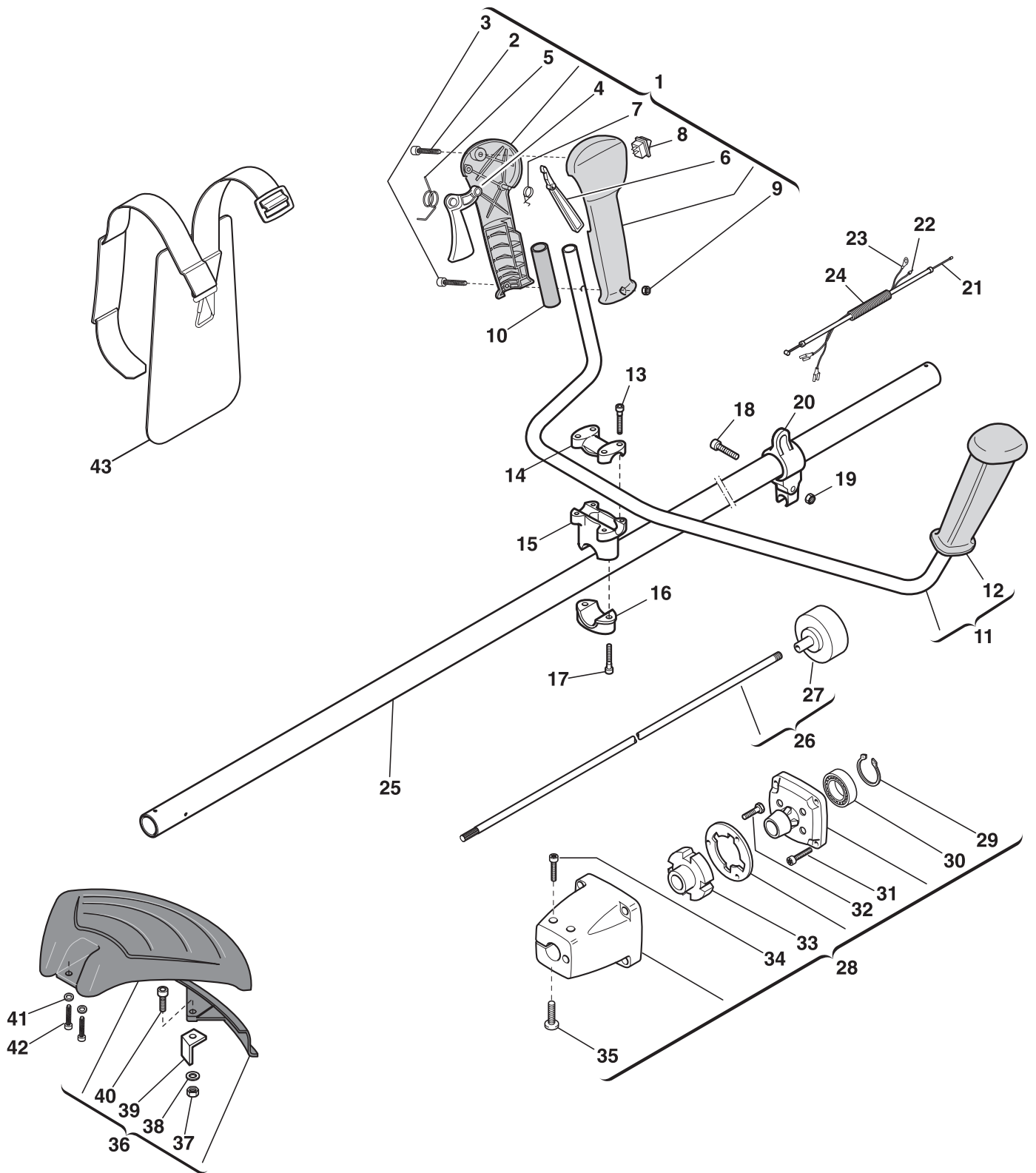




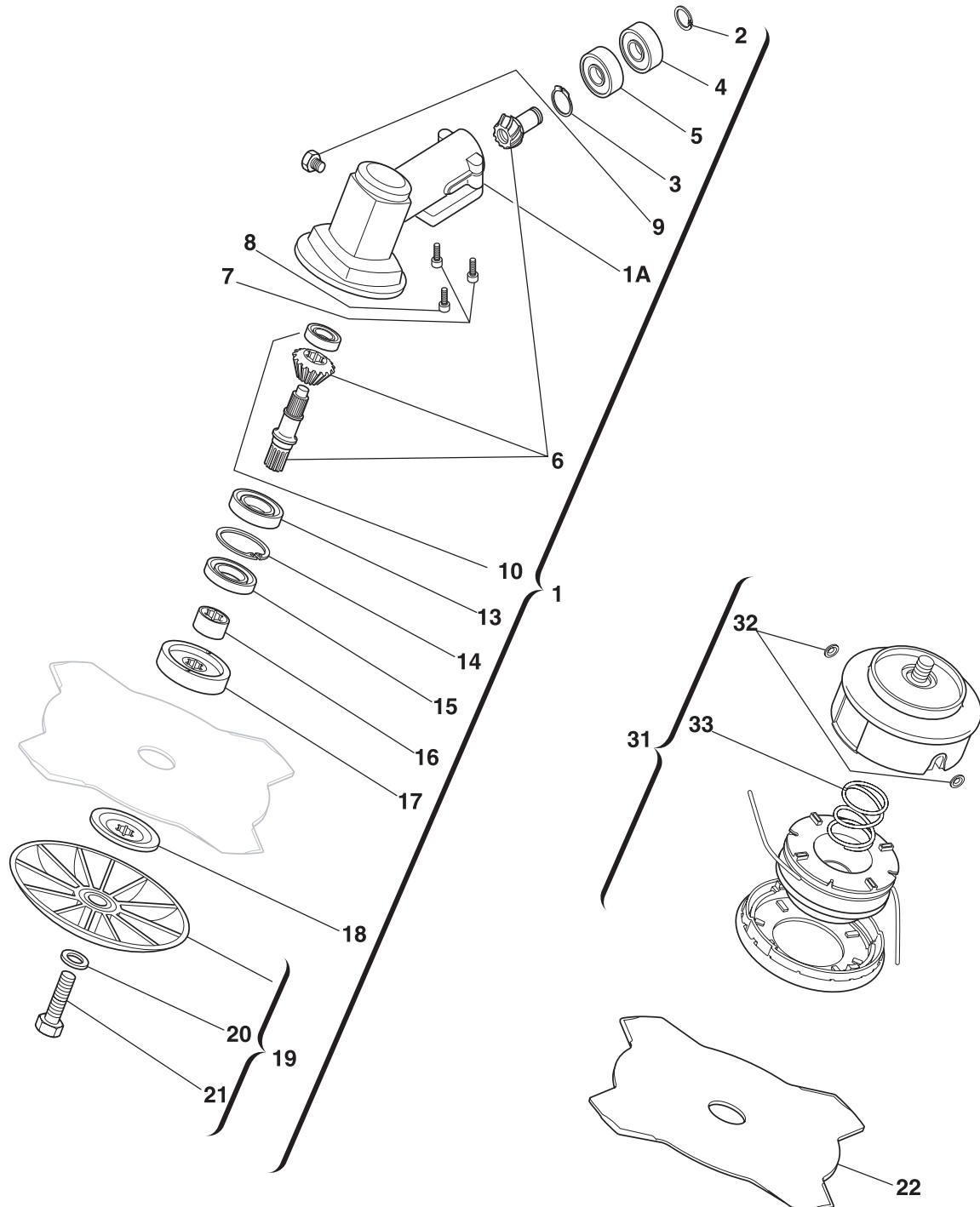
N°	Code	Q.ty	Descrizione	Description	Description	Beschreibung	Remarks
1	6981069	1	Guarniz.Collett-Cilindro	Intake Manif-Gasket	Joint Collect.-Cyl.	Dicht. Kollekt.-Zyl.	
2	6981068	1	Collettore Aspirazione	Intake Manifold	Collecteur Aspirateur	Kollektor Ansau- gung	
3	6981102	2	Set Viteria	Screws Set	Set Visserie	Satz Schrauben	
5	23054010/0	1	Carburatore	Carburettor	Carburateur	Vergaser	Walbro WYJ 393 (534)
5	23054011/0	1	Carburatore	Carburettor	Carburateur	Vergaser	Walbro WYJ 394 (540)
7	6981060	1	Supp. Filtro Aria	Air Filter Holder	Supp. Filtre À Air	Halter Luftfilter	
8	6981104	2	Set Viteria	Screws Set	Set Visserie	Satz Schrauben	
9	6981269	2	Vite	Screw	Vis	Schraube	
10	6981045	1	Molla	Spring	Ressort	Feder	
11	6981046	1	Perno	Pin	Tourillon	Stift	
12	6981047	1	Fermo	Retainer	Butoir	Sperrung	
13	6981107	1	Pulsante	Button	Bouton	Druckknopf	
14	6981071	1	Filtro Aria	Air Filter	Filtre À Air	Luftfilter	
15	6981124	1	Coprifiltro Aria Arancione	Orange Filter Cover	Couvre-Filtre À Air Orange	Filterabd. Orange	
16	6981070	1	Kit Memb-Guarniz	Gasket-Diaph.Set	Kit Membr.-Joint	Set Memb.-Dicht.	
21	6981099	1	Vite	Screw	Vis	Schraube	
22	6981077	1	Fermo	Retainer	Butoir	Sperrung	
23	6981078	1	Puleggia Avviamento	Starter Pulley	Poulie Démarrage	Riemenscheibe Starter	
24	6981111	1	Molla Avviamento	Spring	Ressort	Starterfeder	
25	6981080/1	1	Ass. Avviatore	Starter Ass.Y	Ens. Démarreur	Set Kupplung	
26	6981081	1	Guida Fune Avv.To	Rope Guide	Guide Câble Démarrage	Seil Starter Führung	
27	6981029	1	Fune Avviamento	Starter Cord	Câble Démarrage	Seil Starter	
28	6981027	1	Impugnatura Avv.To	Starter Handle	Poignée Démarrage	Griff Starter	
29	6981100	4	Set Viteria	Screws Set	Set Visserie	Satz Schrauben	
30	6981112	1	Aggancio Avviamento	Starter Hook	Fixation Démarreur	Sperre Starter	



N°	Code	Q.ty	Descrizione	Description	Description	Beschreibung	Remarks
1	8562620/1	1	Ass. Impugnatura Post.	Handle Ass.Y	Ens.Poignée	Set Handgriff Hinten	
2	2123030	4	Vite	Screw	Vis	Schraube	
3	2123100	2	Vite	Screw	Vis	Schraube	
4	3743475	1	Leva Di Sicurezza	Safety Lever	Levier De Sécurité	Sicherheitshebel	
5	3654300	1	Molla Leva Di Sicurezza	Spring	Ressort	Feder Sicherheitshebel	
6	3743465	1	Leva Acceleratore	Throttle Lever	Levier Accélérateur	Gashebel	
7	3654270/1	1	Molla Leva Acceleratore	Spring	Ressort	Feder Gashebel	
8	3612710	1	Lamierino Di Stop	Stop Plate	Plaque D'Arrêt	Stop-Plättchen	
9	2123070	1	Vite	Screw	Vis	Schraube	
10	3749270	1	Pomello Di Stop	Stop Knob	Bouton D'Arrêt	Stop-Schalter	
11	3749920	2	Riduzione	Reduction	Réduction	Reduzierstück	
12	4252540	1	Cavo Acceleratore	Wire Ass.Y	Câble Accélér.	Starterkabel	
13	3786030	1	Guaina Cavi	Wire Sheath	Gaine Câbles	Kabelmantel	
14	23065012/0	1	Cavo Bobina-Interruttore	Coil-Switch Cable	Câble Bobine-Interrupt.	Spulendraht-Schalter	
15	23065013/0	1	Cavo Massa	Earth Cable	Câble Masse	Erdungskabel	
16	23300001/0	1	Impugnatura Anteriore	Front Handle	Poignée Avant	Handgriff Vorne	
17	2135050	2	Vite	Screw	Vis	Schraube	
18	2312090	2	Rondella	Washer	Rondelle	Unterlegscheibe	
19	2461030	2	Dado	Nut	Ecrou	Mutter	
20	8251201	1	Ass.Tubo Trasm.	Trans.Pipe Assy	Ens.Tube Transm.	Schaftgruppe	
21	4251400	1	Ass.Albero Trasm.	Trans.Shaft Assy	Ens.Arbre Transm.	Set Motorwelle	
22	4121861/1	1	Ass. Campana Frizione	Drum Ass'Y, Clutch	Cloche Embrayage	Set Kupplungsglocke	
23	8562960	1	Ass.Supporto Trasm.	Support Trasm.Assy	Ens.Support Transm.	Getriebepattform	
24	3353080	1	Anello Seeger	Ring	Circlip	Ring	
25	3112170	1	Cuscinetto	Bearing	Roulement	Lager	
26	2135160	4	Vite	Screw	Vis	Schraube	
27	2123030	4	Vite	Screw	Vis	Schraube	
28	3744260	1	Gommino Antivib.	Shock Absorber	Caoutchouc Anti-Vibrat.	Schwingungsdämpfer	
29	2123110	2	Vite	Screw	Vis	Schraube	
30	2123100	1	Vite	Screw	Vis	Schraube	
31	8563570	1	Ass. Paraspruzzi	Safety Cover Ass.Y	Ens. Capot Anti-Projections	Set Spritzschutz	
32	12154330/0	1	Dado	Nut	Ecrou	Mutter	
33	2312150	1	Rondella	Washer	Rondelle	Unterlegscheibe	
34	3615000	1	Lamierino Tagliafilo	Line Cutter	Coupe-Fil	Drahtscherenblech	
35	2135030	1	Vite	Screw	Vis	Schraube	
36	2135060	2	Vite	Screw	Vis	Schraube	
37	2312150	2	Rondella	Washer	Rondelle	Unterlegscheibe	
38	23170000/0	1	Distanziale	Spacer	Entretoise	Thermoisolierung	
39	4253460	1	Bretella	Harness	Harnais	Gurtzeug	



N°	Code	Q.ty	Descrizione	Description	Description	Beschreibung	Remarks
1	8563830	1	Ass. Impugnatura	Handle Ass.Y	Ens.Poignée	Set Handgriff	
2	2123030	1	Vite	Screw	Vis	Schraube	
3	2135050	1	Vite	Screw	Vis	Schraube	
4	3743431/1	1	Leva Acceleratore	Throttle Lever	Levier Accélérateur	Gashebel	
5	3654270/1	1	Molla Leva Acceleratore	Spring	Ressort	Feder Gashebel	
6	3743441	1	Leva Di Sicurezza	Safety Lever	Levier De Sécurité	Sicherheitshebel	
7	3654280/1	1	Molla Leva Di Sicurezza	Spring	Ressort	Feder Sicherheitshebel	
8	3210970	1	Interruttore Stop	Stop Switch	Interrupteur D'Arrêt	Stop-Schalter	
9	12154330/0	1	Dado	Nut	Ecrou	Mutter	
10	23655001/0	1	Riduzione	Reduction	Réduction	Reduzierstück	
11	83394003/0	1	Ass. Manubrio	Handle Ass.Y	Ens. Guidon	Set Handgriff	
12	23395050/0	1	Impugnatura Sinistra	Left Handle	Poignée Gauche	Handgriff Links	
13	2135060	4	Vite	Screw	Vis	Schraube	
14	4541500/1	1	Supporto Manubrio Sup.	Upper Handgrip Support	Support Guidon Sup.	Handgriffhalter Unterteil	
15	4541490/1	1	Supporto Manubrio	Handle Support	Support Guidon	Handgriffhalter	
16	4541510	1	Ass.Supporto Manubrio Inf.	Lower Handgrip Support	Support Guidon Inf.	Handgriffhalter Oberteil	
17	2135050	2	Vite	Screw	Vis	Schraube	
18	2135040	1	Vite	Screw	Vis	Schraube	
19	2412030	1	Dado	Nut	Ecrou	Mutter	
20	23780000/0	1	Supporto Bretelle	Harness Support	Support Harnais	Gurtzeughalter	
21	4252720	1	Cavo Acceleratore	Wire Ass.Y	Câble Accélér.	Starterkabel	
22	23065002/0	1	Cavo Bobina-Interruttore	Coil-Switch Cable	Câble Bobine-Interrupt.	Spulendraht-Schalter	
23	23065015/0	1	Cavo Massa	Earth Cable	Câble Masse	Erdungskabel	
24	3786240	1	Guaina Cavi	Wire Sheath	Gaine Câbles	Kabelmantel	
25	8251201	1	Ass. Tubo Trasmis.	Transmission Pipe Ass.Y	Ens.Tube Transm.	Set Rohr Pulse	
26	4251400	1	Ass.Albero Trasm.	Trans.Shaft Assy	Ens.Arbre Transm.	Set Motorwelle	
27	4121861/1	1	Ass. Campana Frizione	Drum Ass'Y, Clutch	Cloche Embrayage	Set Kupplungsglocke	
28	8562960	1	Ass.Supporto Trasm.	Support Trasm.Assy	Ens.Support Transm.	Getriebeplattform	
29	3353080	1	Anello Seeger	Ring	Circlip	Ring	
30	3112170	1	Cuscinetto	Bearing	Roulement	Lager	
31	2135160	4	Vite	Screw	Vis	Schraube	
32	2123030	4	Vite	Screw	Vis	Schraube	
33	3744260	1	Gommino Antivib.	Shock Absorber	Caoutchouc Anti-Vibrat.	Schwingungsdämpfer	
34	2123110	2	Vite	Screw	Vis	Schraube	
35	2123100	1	Vite	Screw	Vis	Schraube	
36	8563570	1	Ass. Paraspruzzi	Safety Cover Ass.Y	Ens. Capot Anti-Projections	Set Spritzschutz	
37	2432040	1	Dado	Nut	Ecrou	Mutter	
38	2312150	1	Rosetta	Washer	Rondelle	Scheibe	
39	3615000	1	Lamierino Tagliafilo	Line Cutter	Coupe-Fil	Drahtscherenblech	
40	2135030	1	Vite	Screw	Vis	Schraube	
41	2312150	2	Rosetta	Washer	Rondelle	Scheibe	
42	2135060	2	Vite	Screw	Vis	Schraube	
43	4253460	1	Bretella	Harness	Harnais	Gurtzeug	





N°	Code	Q.ty	Descrizione	Description	Description	Beschreibung	Remarks
1	4250150/1	1	Ass. Testina Ingranaggi Ø26Mm	Gear Case Assy Ø26Mm	Ens. Boîte Engren. Ø26Mm	Set Zahnradgetriebe Ø26Mm	
1A	4540570	1	Carter Testina Ø26Mm	Gear Case Ø26Mm	Carter Boîte Engren. Ø26Mm	Zahnradgehäuse Ø26Mm	
2	3353100	1	Anello Seeger	Ring	Circlip	Ring	
3	3353050	1	Anello Seeger	Ring	Circlip	Ring	
4	3112200	1	Cuscinetto	Bearing	Roul. À Billes	Kugellager	
5	3112190	1	Cuscinetto	Bearing	Roul. À Billes	Kugellager	
6	8180240/1	1	Ass. Ingranaggi	Gear Assy	Ens. Engrenages	Getriebeeinheit	
7	2135050	2	Vite	Screw	Vis	Schraube	
8	2653090	1	Vite	Screw	Vis	Schraube	
9	2653460	1	Vite	Screw	Vis	Schraube	
10	3112210	1	Cuscinetto	Bearing	Roul. À Billes	Kugellager	
13	3112150	1	Cuscinetto	Bearing	Roul. À Billes	Kugellager	
14	3353080	1	Anello Seeger	Ring	Circlip	Ring	
15	3121170	1	Anello Di Tenuta	Seal Ring	Anneau De Tenue	Dichtring	
16	3641700/1	1	Collare	Collar	Collier	Stelling	
17	3641640	1	Ghiera Superiore	Upper Ring Nut	Bague Supérieure	Oberer Ringbolzen	
18	3612640	1	Ghiera Inferiore	Lower Ring Nut	Bague Inférieure	Unterer Ringbolzen	
19	4560610	1	Coppa Fissa	Stabilizer	Stabilisateur	Stabilisator	
20	2321230	1	Rosetta	Washer	Rondelle	Scheibe	
21	2653170	1	Vite	Screw	Vis	Schraube	
22	4611880	1	Disco 4 Punte 25 Cm	4 Teeth Disc 25 Cm	Lame À 4 Dents 25 Cm	Scheibe / 4 Zähne 25 Cm	
31	4353240/1	1	Testina 2 Fili Tap & Go	2 Hedges Nylon Head	Tête À 2 Fils Nylon	2 Drahtscheibe	
32	3643430	2	Boccole Passafilo	Passafilobushing	Passe-Fils	Büchse	
33	3654590	1	Molla	Spring	Ressort	Feder	