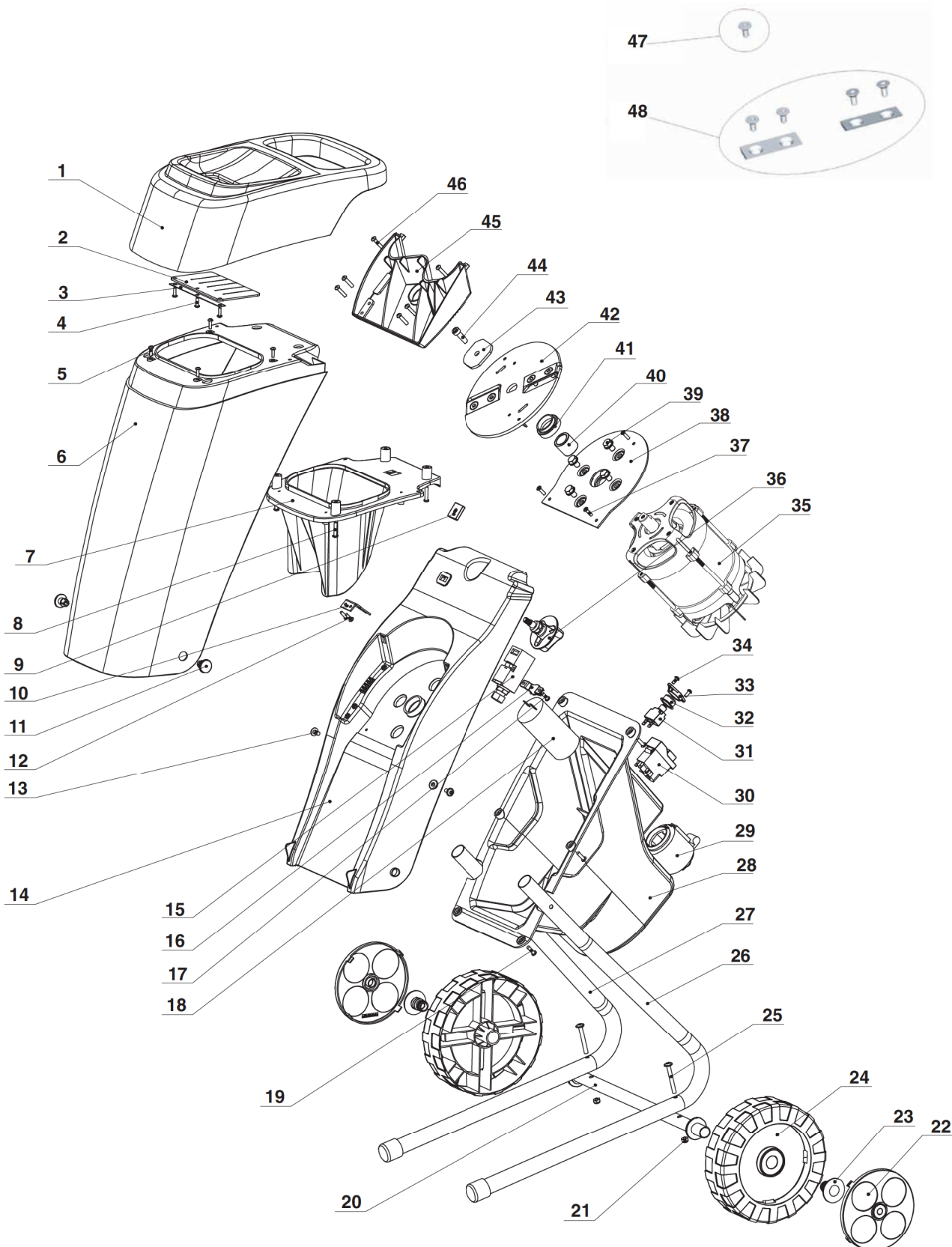


BIO POWER

2008

521.0

1 / 2



POS.	CODE	Q.TY	DESCRIZIONE	DESCRIPTION	DESCRIPTION	BESCHREIBUNG	REMARKS
1	1716-0086-01	1	BOCCA CONVOGLIATORE	CONVEYOR INLET	BOUCHE CONVOYEUR	BLECHSATZEINGANG	
2	1716-0113-01	1	DEFLETTORE	DEFLECTOR	DEFLECTEUR	ABWEISER	

POS.	CODE	Q.Q.TY	DESCRIZIONE	DESCRIPTION	DESCRIPTION	BESCHREIBUNG	REMARKS
3	1716-0107-01	1	PIASTRINA	PLATE	PLAQUETTE	PLÄTTCHEN	
4	1716-0005-01	3	VITE	SCREW	VIS	SCHRAUBE	
5	9847-8025-16	4	VITE	SCREW	VIS	SCHRAUBE	
6	1716-0087-01	1	PROTEZIONE ANTERIO- RE GIALLO	FRONT COVER YELLOW	COUVERCLE AVANT JAUNE	VORDERDECKEL GELB	
6	1716-0087-02	1	PROTEZIONE ANTERIO- RE ROSSO	FRONT COVER RED	COUVERCLE AVANT ROUGE	VORDERDECKEL ROT	
7	1716-0092-01	1	CONVOGLIATORE	CONVEYOR	CONVOYEUR	KONVEYOR	
8	9847-8025-16	4	VITE	SCREW	VIS	SCHRAUBE	
9	1716-0116-01	1	DADO	NUT	ECROU	MUTTER	
10	1716-0115-01	1	CHIAVETTA	KEY	CLAVETTE	KEIL	
11	1716-0085-01	2	VITE	SCREW	VIS	SCHRAUBE	
12	1716-0005-01	2	VITE	SCREW	VIS	SCHRAUBE	
13	1716-0060-01	2	VITE	SCREW	VIS	SCHRAUBE	
14	1716-0088-01	1	PIASTRA	PLATE	PLAQUE	PLATTE	
15	1716-0072-01	1	INTERRUTTORE	SWITCH	INTERRUPTEUR	SCHALTER	
16	1716-0090-01	1	PIASTRINA	PLATE	PLAQUETTE	PLÄTTCHEN	
17	9847-8025-16	2	VITE	SCREW	VIS	SCHRAUBE	
18	1716-0129-01	1	CONDENSATORE	CAPACITOR	CONDENSATEUR	KONDENSATOR	
19	1716-0007-01	2	VITE	SCREW	VIS	SCHRAUBE	
20	1716-0101-01	1	ASSE RUOTE	WHEELS AXLE	AXE ROUES	RAD ACHSE	
21	9799-0631-02	2	DADO	NUT	ECROU	MUTTER	
22	1716-0054-01	2	COPRIMOZZO, GIALLO	HUB CAP, YELLOW	COUVRE-MOYEU, JAUNE	RADKAPPE, GELB	
22	1716-0054-02	2	COPRIMOZZO, ROSSO	HUB CAP, RED	COUVRE-MOYEU, ROUGE	RADKAPPE, ROT	
23	1716-0084-01	2	PERNO	PIN	PIVOT	BOLZEN	
24	1716-0091-01	2	RUOTA	WHEEL	ROUE	RAD	
25	9948-0655-16	2	VITE	SCREW	VIS	SCHRAUBE	
26	1716-0117-01	1	SUPPORTO RUOTA SX	SUPPORT, L WHEEL	SUPPORT, G ROUE	HALTER, RAD LINKER	
27	1716-0118-01	1	SUPPORTO RUOTA DX	SUPPORT, R WHEEL	SUPPORT ROUE DROIT	HALTER, RAD R	
28	1716-0089-01	1	CAPOTTINA	COVER	CAPOT	HAUBE	
29	1716-0119-01	1	TAPPO	CAP	BOUCHON	GUMMISTOPFEN	
30	1716-0071-01	1	MICRO INTERRUTTORE	MICROSWITCH	MICROINTERRUPTEUR	MIKROSCHALTER	
31	1716-0157-01	1	COPERCHIO PROTE- ZIONE	PROTECTION COVER	COUVERCLE PROTEC- TION	SCHUTZDEKEL	
32	1716-0068-01	1	CAPPUCCIO	PROTECTION	CAPUCHON	STECKER	
33	1716-0082-01	1	PULSANTE	BUTTON	POUSSOIR	DRUCKKNOPF	
34	1716-0062-01	2	VITE	SCREW	VIS	SCHRAUBE	
35	1716-0195-01	1	MOTORE	MOTOR	MOTEUR	MOTOR	
36	1716-0114-01	1	MANOPOLINA	KNOB	POIGNÉE	GRIFF	
37	9847-7925-16	3	VITE	SCREW	VIS	SCHRAUBE	
38	1716-0111-01	1	PIASTRA	PLATE	PLAQUE	PLATTE	
39	1716-0035-01	4	VITE	SCREW	VIS	SCHRAUBE	
40	1716-0109-01	1	MANICOTTO	COUPLING	MANCHON	MUFFE	
41	1716-0069-01	1	ANELLO DI TENUTA	SEAL RING	ANNEAU DE TENUE	DICHTRING	
42	1716-0105-01	1	COLTELLO	BLADE	LAME	MESSER	
43	1716-0110-01	1	ROSETTA	WASHER	RONDELLE	SCHEIBE	
44	1716-0058-01	1	VITE	SCREW	VIS	SCHRAUBE	
45	1716-0112-01	1	PIASTRA	PLATE	PLAQUE	PLATTE	
46	1716-0005-01	6	VITE	SCREW	VIS	SCHRAUBE	
47	1716-0059-01	4	VITE	SCREW	VIS	SCHRAUBE	
48	1716-0108-01	1	DOTAZIONE LAME	OUTFIT, BLADES	DOTATION LAME	SATZ, MESSER	