

STAR

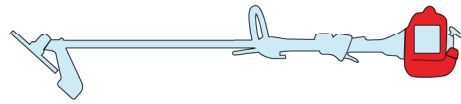
36

36D

41

41D

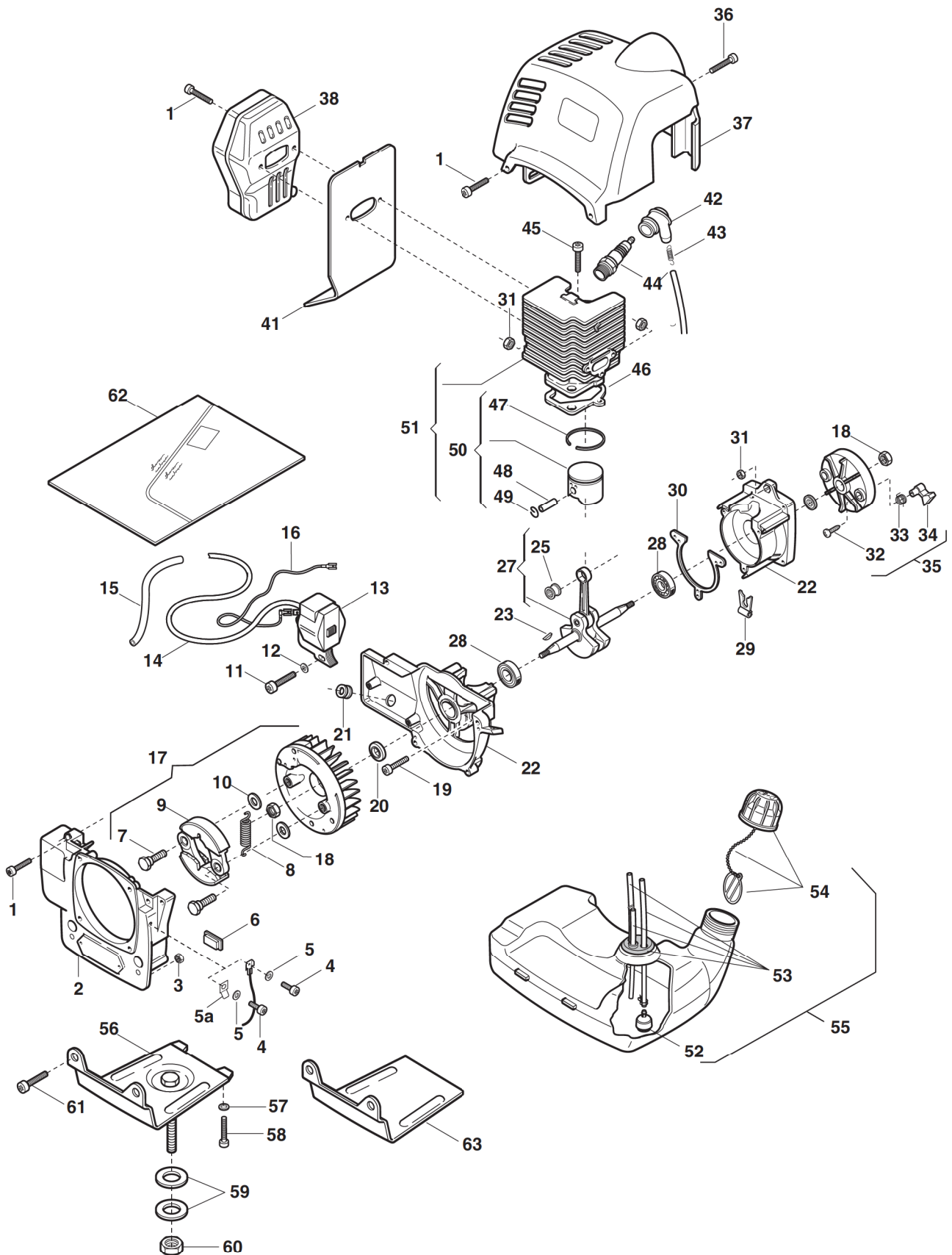
41F



2008

251.0

1 / 3

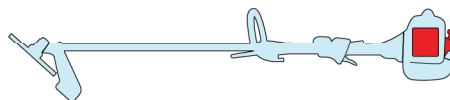


POS.	CODE	Q.Q.TY	DESCRIZIONE	DESCRIPTION	DESCRIPTION	BESCHREIBUNG	REMARKS
1	2135040	12	VITE	SCREW	VIS	SCHRAUBE	
2	4540800	1	CARTER X SUPPORTO TRASM.	TRASM. SUPPORT CASE	CARTER SUPPORT TRASM.	GEHÄUSE GETRIEBE-PLATTFORM.	
3	2432030	2	DADO (FLEX)	NUT (FLEX)	ECROU (FLEX)	MUTTERSCHRAUBE (FLEX)	
4	2132500	1	VITE	SCREW	VIS	SCHRAUBE	
5	2312120	1	ROSETTA	WASHER	RONDELLE	SCHEIBE	
5a	3211420	1	FASTON (FLEX)	FASTON (FLEX)	FASTON (FLEX)	ERDUNGSSTECCKER (FLEX)	
6	3745530	4	GOMMINO SUPPORTO	SERB.GROMMET	RONDELLE CAOU-TCHOUC	GUMMITRÄGER	
7	2653210	2	VITE	SCREW	VIS	SCHRAUBE	
8	3654040	1	MOLLA FRIZIONE	SPRING	RESSORT	KUPPLUNGSFEDER	
9	3660430/1	2	MASSA FRIZIONE	CLUTCH UNIT	EMBRAYAGE	REIBUNGSMASSE	
10	2321230	2	ROSETTA	WASHER	RONDELLE	SCHEIBE	
11	2135060	2	VITE	SCREW	VIS	SCHRAUBE	
12	2321150	2	ROSETTA	WASHER	RONDELLE	SCHEIBE	
13	3211015	1	BOBINA ELETTRONICA	ELETRONIC COIL	BOBINE ÉLECTRONIQUE	ELEKTRONIKSPULE	
14	3211080	1	FILO BOBINA	SPARK PLUG CABLE	FIL BOBINE	DRAHT ZÜNDKERZE	
15	3782040	1	GUAINA CAVO	WIRE SHEATH	GAINÉ CÂBLE	KABELMANTEL	
16	3211415	1	CAVO MASSA	EARTH CABLE	CÂBLE MASSE	ERDUNGSKABEL	
17	4251480/1	1	ASS. VOLANO C/MASSE (INCL. 7,9,10)	FLYWHEEL ASS.Y (INCL. 7,9,10)	ENS. VOLANT (INCL. 7,9,10)	SET SCHWUNGRAD (INCL.7,9,10)	
18	2670120	2	DADO	NUT	ECROU	MUTTER	
19	2135050	3	VITE	SCREW	VIS	SCHRAUBE	
20	3121070	2	ANELLO DI TENUTA	SEAL RING	ANNEAU DE TENUE	DICHTRING	
21	3745130	1	GOMMINO PASSACAVO	GROMMET	RONDELLE CAOU-TCHOUC	LIPPKLAMPE	
22	8521010	1	COPPIA CARTERS MOTORE	CRANCKASE ASS.Y	ENS. CARTER MOTEUR	PAAR MOTORABDECKUNG	
23	3151010	1	LINGUETTA VOLANO	FLYWHEEL KEY	CLAVETTE VOLANT	LASCHE SCHWUNGRAD	
25	3116100	1	ASTUCCIO A RULLI	NEEDLE BEARING	ROUL. À AIGUILLES	WALZENROHR	
27	8250840	1	ASS. ALBERO MOTORE (INCL. 25)	CRANKSHAFT (INCL. 25)	ARBRE MOTEUR (INCL. 25)	SET MOTORWELLE (INCL. 25)	
28	3112240	2	CUSCINETTO	BEARING	ROUL. À BILLES	KUGELLAGER	
29	3750280	1	GUIDA PASSACAVO	MASSATHREAD GUIDE	GUIDE-FIL	LIPPKLAMPE	
30	3724050	1	GUARNIZIONE CARTERS	GASKET	JOINT	DICHTUNG ABDECKUNG	
31	2432040	5	DADO	NUT	ECROU	MUTTER	
32	2123100	3	VITE	SCREW	VIS	SCHRAUBE	
33	3654050	2	MOLLA AGGANCIO	SPRING	RESSORT	FEDER SPERRUNG	
34	3749570	2	AGGANCIO AVVIAMENTO	STARTER HOOK	FIXATION DÉMARREUR	SPERRE STARTER	
35	8540810	1	ASS. COPPA AVVIAMENTO (INCL.32-34)	STARTER CUP ASS.Y (INCL.32-34)	ENS.COUPÉ DÉMARREUR (INCL.32-34)	SCHWUNGRAD MAGNET (INCL.32-34)	
36	2135180	1	VITE	SCREW	VIS	SCHRAUBE	
37	4563660	1	CUFFIA COPRICILINDRO GIALLO	CYLINDER COVER ASS.Y YELLOW	COUVERCLE CYLINDRE JAUNE	MOTORABDECKUNG GELB	
-	4563663	1	CUFFIA COPRICILINDRO ROSSO	CYLINDER COVER ASS.Y RED	COUVERCLE CYLINDRE ROUGE	MOTORABDECKUNG ROT	
38	4122120	1	SILENZIATORE	MUFFLER	SILENCIEUX	SCHALLDÄMPFER	
41	3724340	1	GUARNIZIONE SILENZIATORE	MUFFLER GASKET	JOINT SILENCIEUX	DICHTUNG SCHALLDÄMPFER	
42	3744850	1	CAPPUCCIO CANDELA	SPARK PLUG COVER	CAPUCHON BOUGIE	ZÜNDKERZENKAPPE	
43	3657530	1	TERMINALE FILO CANDELA	SPARK PLUG SPRING	BORNE FIL BOUGIE	DRAHTENDE ZÜNDKERZE	
44	3210024	1	CANDELA	SPARK PLUG	BOUGIE	ZÜNDKERZE	
45	2135150	2	VITE	SCREW	VIS	SCHRAUBE	
46	3724260	1	GUARNIZIONE CILINDRO	CYLINDER GASKET	JOINT CYLINDRE	ZYLINDERDICHTUNG	

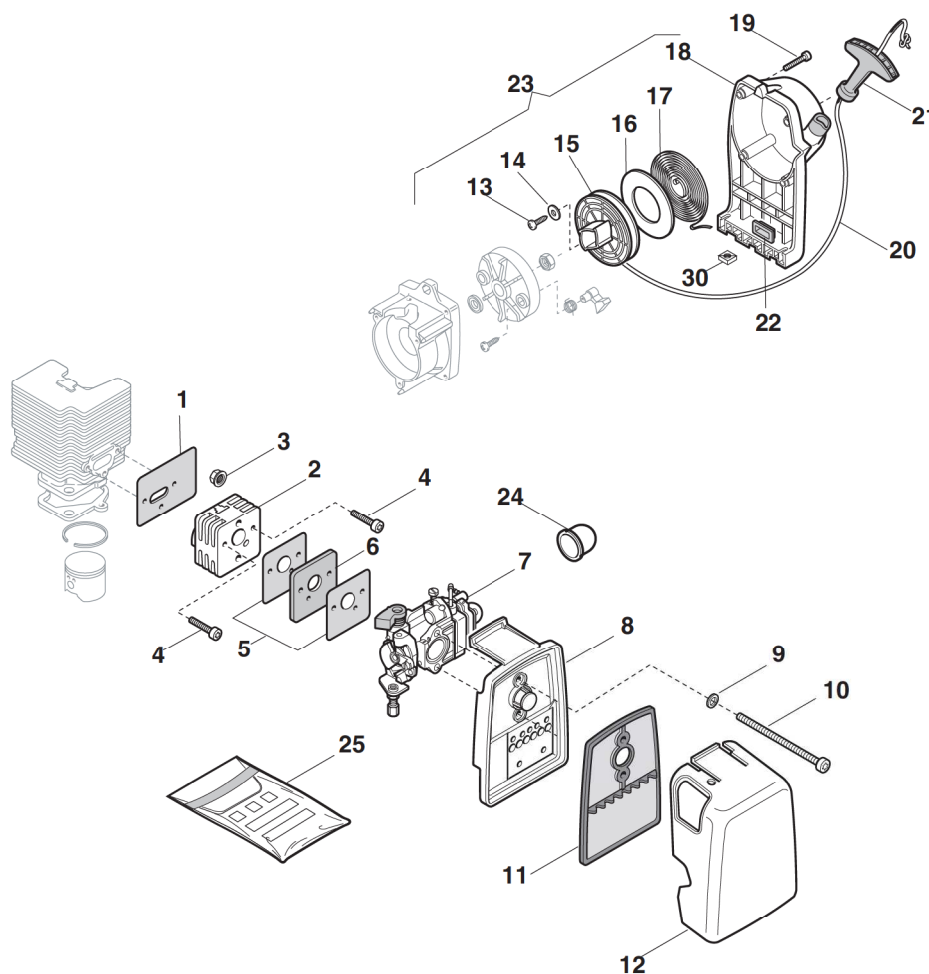
POS.	CODE	Q.TY	DESCRIZIONE	DESCRIPTION	DESCRIPTION	BESCHREIBUNG	REMARKS
47	3123150	1	SEGMENTO X MOD. Ø 38	PISTON RING X MOD. Ø 38	SEGMENT X MOD. Ø 38	KOLBENRING X MOD. Ø 38	
48	3158260	1	SPINOTTO PISTONE	PISTON PIN	POINTEAU PISTON	KOLBENBOLZEN	
49	3356050	2	FERMO SPINOTTO	CIRCLIP	CIRCLIP	SPERRE BOLZEN	
50	8541120	1	ASS. PISTONE Ø 38 (INCL.26,47-49)	PISTON ASS.Y Ø 38 (INCL.26,47-49)	ENS.PISTON Ø 38 (INCL.26,47-49)	SET KOLBEN Ø 38 (INCL.26,47-49)	
51	8541110	1	ASS. CILINDRO PISTONE Ø 38 (INCL.50)	CYLINDER-PISTON ASS.Y Ø 38 (INCL.50)	ENS.CYLINDRE-PISTON Ø 38 (INCL.50)	SET ZYLINDER-KOLBEN Ø 38 (INCL.50)	
52	4253290	1	PESCANTE MIX	INTAKE FILTER	FILTRE D'ASPIRATION	TAUCHSONDE	
53	8745541	1	ASS. GOMMINO PASSA- TUBI	GROMMET ASS.Y	ENS.RONDELLE CAOU- TCHOUC	SET GUMMIRINGE	
54	8741370	1	ASS. TAPPO MIX	FUEL CAP ASS.Y	ENS.BOUCHON MÉLAN- GE	DECKEL TREIBSTOFF- TANK	
55	4252470	1	ASS. SERBATOIO MIX (INCL.52-54)	FUEL TANK ASS.Y (INCL.52-54)	ENS.RÉSERVOIR MÉLAN- GE (INCL.52-54)	SET TREIBSTOFFTANK (INCL.52-54)	
56	4122180	1	FLANGIA SUPP. MOTORE FLEX	FLANGE (FLEX)	BRIDE MOTEUR (FLEX)	ANSAUGFLANSCH MO- TOR (FLEX)	
57	2330020	2	GROWER	GROWER	RONDELLE GROWER	GROWER	
58	2135010	2	VITE	SCREW	VIS	SCHRAUBE	
59	2330060	2	RONDELLA (FLEX)	WASHER (FLEX)	RONDELLE (FLEX)	UNTERLEGSCHIEBE (FLEX)	
60	2412180	1	DADO (FLEX)	NUT (FLEX)	ECROU (FLEX)	MUTTERSCHRAUBE (FLEX)	
61	2112310	2	VITE	SCREW	VIS	SCHRAUBE	
62	8724340	1	SERIE GUARNIZIONI (INCL.30,41,46)	GASKET SET (INCL.30,41,46)	SÉRIE JOINTS (INCL.30,41,46)	SET DICHTUNGEN (INCL.30,41,46)	
63	4612587	1	FLANGIA SUPP. MOTORE RIGIDO	FLANGE	BRIDE MOTEUR	ANSAUGFLANSCH MOTOR	

STAR

36 36D 41 41D 41F



2008
252.0
1 / 2



POS.	CODE	Q.TY	DESCRIZIONE	DESCRIPTION	DESCRIPTION	BESCHREIBUNG	REMARKS
1	3724360	1	GUARNIZ.COLLETT-CIL	INTAKE MANIF-GASKET	JOINT COLLECT.-CYL.	DICHT. KOLLEKT.-ZYL.	
2	3750410	1	COLLETTORE ASPIRAZIONE	INTAKE MANIFOLD	COLLECTEUR ASPIRATION	KOLLEKTOR ANSAUGUNG	
3	2670280	2	DADO	NUT	ECROU	MUTTER	
4	2135050	2	VITE	SCREW	VIS	SCHRAUBE	
5	3724400	2	GUARNIZ.COLLETTORE-CARB	INTAKE-CARB GASKET	JOINT COLLECT.-CARB.	DICHT. KOLLEKTOR-VERG.	
6	3785070	1	DISTANZIALE TERMICO	HEAT BLOCK	BLOCAGE THERMIQUE	THERMOISOLIERUNG	
7	4353270/1	1	CARBURATORE	CARBURETTOR	CARBURATEUR	VERGASER	Walbro WYJ 317A
8	8750390	1	SUPP. FILTRO ARIA GRIGIO	AIR FILTER HOLDER	SUPP. FILTRE À AIR	HALTER LUFTFILTER	
9	2312090	3	ROSETTA	WASHER	RONDELLE	SCHEIBE	
10	2135250	2	VITE	SCREW	VIS	SCHRAUBE	
11	3781600	1	FILTRO ARIA	AIR FILTER	FILTRE À AIR	LUFTFILTER	
12	4563670	1	COPRIFILTRO GIALLO	FILTER COVER YELLOW	COUVRE-FILTRE JAUNE	FILTERABD. GELB	
-	4563673	1	COPRIFILTRO ROSSO	FILTER COVER RED	COUVRE-FILTRE ROUGE	FILTERABD. ROT	

POS.	CODE	Q.TY	DESCRIZIONE	DESCRIPTION	DESCRIPTION	BESCHREIBUNG	REMARKS
13	2123100	3	VITE	SCREW	VIS	SCHRAUBE	
14	3613420	1	ROSETTA	WASHER	RONDELLE	SCHEIBE	
15	4562220	1	PULEGGIA AVVIAMENTO	STARTER PULLEY	POULIE DÉMARRAGE	RIEMENSCHLEIBE STAR- TER	
16	3723640	1	DISCO MOLLA AVV.TO	DISC	DISQUE	SCHEIBE FEDER STAR- TER	
17	4611480	1	MOLLA AVV.TO	SPRING	RESSORT	FEDER	
18	8563650	1	CARTER AVV.TO	STARTER RECOIL CASE	CARTER DÉMARREUR	STARTERGEHÄUSE	
19	2135040	12	VITE	SCREW	VIS	SCHRAUBE	
20	3784030	1	FUNE AVV.TO	STARTER CORD	CÂBLE DÉMARRAGE	SEIL STARTER	
21	3750067	1	IMPUGNATURA AVV.TO	STARTER HANDLE	POIGNÉE DÉMARRAGE	GRIFF STARTER	
22	3745530	4	GOMMINO SUPP. SER- BATOIO	GROMMET	RONDELLE CAOU- TCHOUC	GUMMIRING	
23	4252680	1	ASS. AVVIATORE (INCL. 13-22)	STARTER ASS.Y (INCL. 13-22)	ENS. DÉMARREUR (INCL. 13-22)	SET STARTER (INCL.13-22)	
24	3744870	1	PRIMER	PRIMER	PRIMER	PRIMER	
25	4353150	1	KIT MEMB-GUARNIZ	GASKET-DIAPH.SET	KIT MEMBR.-JOINT	SET MEMB.-DICHT.	
30	2461030	2	DADO	NUT	ECROU	MUTTER	

STAR

36

36D

41

41D

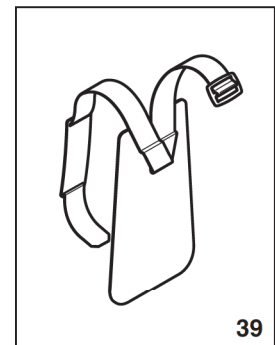
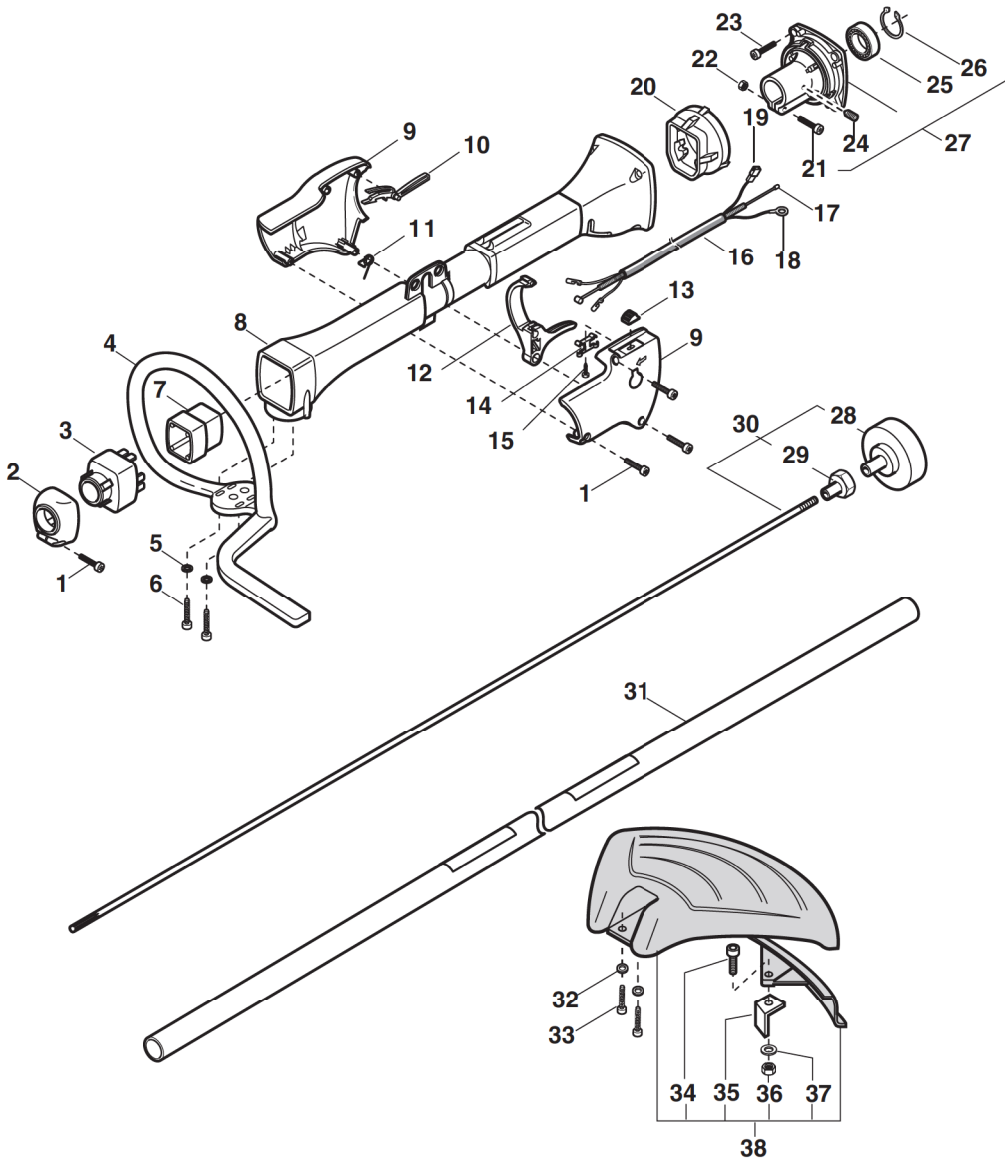
41F



2008

253.0

1 / 2



POS.	CODE	Q.TY	DESCRIZIONE	DESCRIPTION	DESCRIPTION	BESCHREIBUNG	REMARKS
1	2123030	4	VITE	SCREW	VIS	SCHRAUBE	
2	3750330	1	SUPPORTO ANTERIORE CARENATURA	FRONT HOUSING SUPPORT	SUPPORT AVANT CARTER	HALTER VORDERGEHÄUSE	
3	3744290	1	GOMMINO ANTIVIBRANTE ANTERIORE	FRONT SHOCK ABSORBER	CAOUTCHOUC ANTIVIBRAT. AVANT	SCHWINGUNGSDÄMPFER	
4	4563560	1	IMPUGNATURA ANTERIORE	FRONT HANDLE	POIGNÉE AVANT	HANDGRIFF VORNE	
5	2312150	2	RONDELLA	WASHER	RONDELLE	UNTERLEGSCHIEBE	
6	2123140	2	VITE	SCREW	VIS	SCHRAUBE	
7	3750340	1	GHIERA RIDUZIONE ANTERIORE	FRONT STEP-DOWN SPACER	BAGUE RÉDUCTION AVANT	VORDERER REDUZIERRING	
8	4563531	1	CARENATURA	TRANSMISSION HOUSING	CARTER TRANSMISSION	GEHÄUSE	
9	8563540	1	COPPIA GUSCI IMPUGNATURE	HANDGRIP HOUSING COUPLE	PAIRE PROTECT. POIGNÉES	PAAR HANDGRIFFHÜLSEN	
10	3743630	1	LEVA SICUREZZA	SAFETY LEVER	LEVIER DE SÉCURITÉ	SICHERHEITSHEBEL	
11	3654490	1	MOLLA LEVA ACCELERATORE	SPRING	RESSORT	FEDER GASHEBEL	

POS.	CODE	Q.TY	DESCRIZIONE	DESCRIPTION	DESCRIPTION	BESCHREIBUNG	REMARKS
12	3743620	1	LEVA ACCELERATORE	THROTTLE LEVER	LEVIER ACCÉLÉRATEUR	GASHEBEL	
13	3749270	1	POMELLO DI STOP	STOP KNOB	BOUTON D'ARRÊT	STOP-SCHALTER	
14	3612710	1	LAMIERINO DI STOP	STOP PLATE	PLAQUE D'ARRÊT	STOP-PLÄTTCHEN	
15	2123070	1	VITE	SCREW	VIS	SCHRAUBE	
16	3786200/1	1	GUAINA PROTEZIONE CAVI	WIRE SHEATH	GAINÉ CÂBLES	KABELMANTEL	
17	4252450	1	CAVO ACCELERATORE	WIRE ASS.Y	CÂBLE ACCÉLÉR.	STARTERKABEL	
18	3211120	1	CAVO MASSA (NERO)	EARTH CABLE (BLACK)	CÂBLE MASSE (NOIR)	ERDUNGSKABEL (SCHWARZ)	
19	3211490	1	CAVO BOBINA-INTERRUTTORE (ROSSO)	COIL-SWITCH CABLE (RED)	CÂBLE BOBINE-INTER. (ROUGE)	SPULENDRAHT-SCHALTER (ROT)	
20	3744300	1	GOMMINO ANTIVIBRANTE POSTERIORE	REAR SHOCK ABSORBER	CAOUTCHOUC ANTI-VIBRAT. ARRIÈRE	SCHWINGUNGSDÄMPFER	
21	2135150	1	VITE	SCREW	VIS	SCHRAUBE	
22	2432030	1	DADO	NUT	ECROU	MUTTER	
23	2135160	4	VITE	SCREW	VIS	SCHRAUBE	
24	2126050	1	VITE	SCREW	VIS	SCHRAUBE	
25	3112170	1	CUSCINETTO	BEARING	ROUL. À BILLES	KUGELLAGER	
26	3353080	1	ANELLO SEEGER	RING	CIRCLIP	RING	
27	3L8520990/3	1	ASS. MOZZO TRASM. Ø26 (INCL. 24-26)	TRANSM. HUB ASS.Y Ø26 (INCL.24-26)	ENS.MOYEU TRANSM. Ø26 (INCL. 24-26)	ANTRIEBSNABE Ø26 (INKL.24-26)	
28	4121861/1	1	CAMPANA FRIZIONE	CLUTCH DRUM	CLOCHE EMBRAYAGE	KUPPLUNGSGLOCKE	
29	3642191	1	MOZZO CUSCINETTO	BEARING HUB	MOYEU ROULEMENT	LAGERNABE	
30	4251400	1	ALBERO TRASMISSIONE (INCL.28-29)	TRANSMISSION SHAFT (INCL.28-29)	ARBRE TRANSMISSION (INCL.28-29)	MOTORWELLE (INKL.28-29)	
31	4251204	1	ASS. TUBO TRASMISSIONE Ø26	TRANSMISSION PIPE ASS.Y	ENS.TUBE TRANSM.	SET ROHR PULSE	
32	2312150	2	RONDELLA	WASHER	RONDELLE	UNTERLEGSCHIEBE	
33	2135060	2	VITE	SCREW	VIS	SCHRAUBE	
34	2135030	1	VITE	SCREW	VIS	SCHRAUBE	
35	3615000	1	LAMIERINO TAGLIAFILO	LINE CUTTER	COUPE-FIL	DRAHTSCHERENBLECH	
36	2432040	1	DADO	NUT	ECROU	MUTTER	
37	2312150	1	RONDELLA	WASHER	RONDELLE	UNTERLEGSCHIEBE	
38	8563570	1	ASS. PARASPRUZZI (INCL. 34-37)	SAFETY COVER ASS.Y (INCL.34-37)	ENS. CAPOT ANTI-PROJECTIONS (INCL. 34-37)	SET SPRITZSCHUTZ (INKL.34-37)	
39	4253460	1	BRETELLA	HARNESS	HARNAIS	GURTZEUG	

STAR

36

36D

41

41D

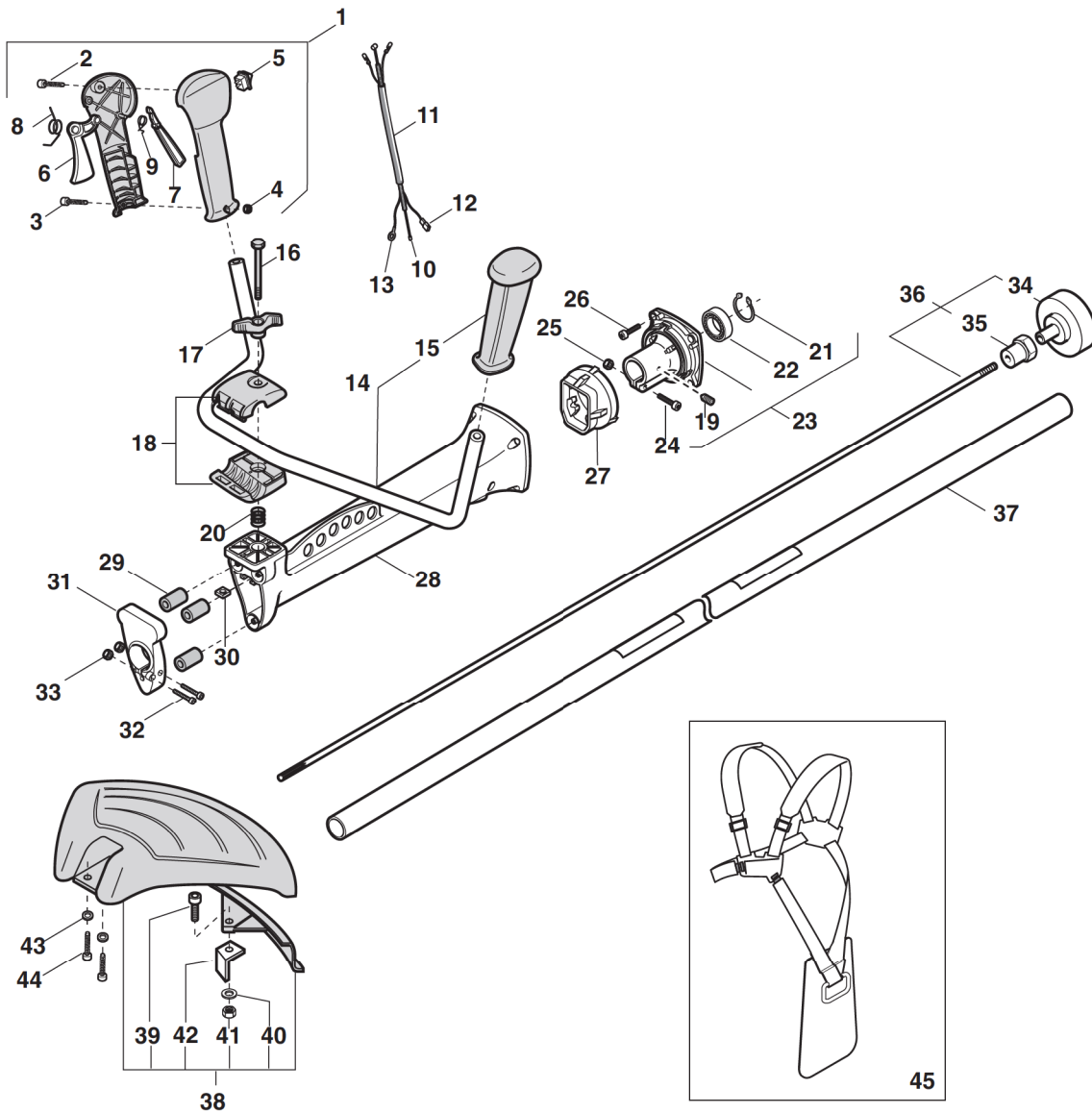
41F



2008

253a.0

1 / 2



POS.	CODE	Q.TY	DESCRIZIONE	DESCRIPTION	DESCRIPTION	BESCHREIBUNG	REMARKS
1	8563830	1	ASS. IMPUGNATURA (INCL.2-9)	HANDLE ASS.Y (INCL.2-9)	ENS.POIGNÉE (INCL.2-9)	SET HANDGRIFF (INKL.2-9)	
2	2123030	1	VITE	SCREW	VIS	SCHRAUBE	
3	2135050	1	VITE	SCREW	VIS	SCHRAUBE	
4	12154330/0	1	DADO	NUT	ECROU	MUTTER	
5	3210970	1	INTERRUTTORE STOP	STOP SWITCH	INTERRUPTEUR D'ARRÊT	STOP-SCHALTER	
6	3743431/1	1	LEVA ACCELERATORE	THROTTLE LEVER	LEVIER ACCÉLÉRATEUR	GASHEBEL	
7	3743441	1	LEVA DI SICUREZZA	SAFETY LEVER	LEVIER DE SÉCURITÉ	SICHERHEITSHEBEL	
8	3654270/1	1	MOLLA LEVA ACCELERATORE	SPRING	RESSORT	FEDER GASHEBEL	
9	3654280/1	1	MOLLA LEVA DI SICUREZZA	SPRING	RESSORT	FEDER SICHERHEITSHEBEL	
10	4252570	1	CAVO ACCELERATORE	WIRE ASS.Y	CÂBLE ACCÉLÉR.	STARTERKABEL	
11	3786220	1	GUAINA CAVI	WIRE SHEATH	GAINÉ CÂBLES	KABELMANTEL	
12	3211590	1	CAVO BOBINA-INTERRUTTORE (ROSSO)	COIL-SWITCH CABLE (RED)	CÂBLE BOBINE-INTERRUPT. (ROUGE)	SPULENDRAHT-SCHALTER (ROT)	

POS.	CODE	Q.TY	DESCRIZIONE	DESCRIPTION	DESCRIPTION	BESCHREIBUNG	REMARKS
13	3211600/1	1	CAVO MASSA (NERO)	EARTH CABLE (BLACK)	CÂBLE MASSE (NOIR)	ERDUNGSKABEL (SCHWARZ)	
14	4252840/1	1	MANUBRIO C/MANOPO- LA SX.	HANDLE	GUIDON	HANDGRIFF	
15	3744860/1	1	IMPUGNATURA SX	LEFT KNOB	POIGNÉE GAUCHE	HANDGRIFF LINKS	
16	2112580	1	VITE	SCREW	VIS	SCHRAUBE	
17	3750480	1	GALLETTO	WING NUT	ECROU À OREILLES	FLÜGELMUTTER	
18	8521070	1	ASS. SUPPORTO IMPU- GNATURA	HANDGRIP SUPPORT ASS.Y	ENS.SUPPORT POIGNÉE	SET HANDGRIFFHALTER	
19	2126050	1	VITE	SCREW	VIS	SCHRAUBE	
20	3654530	1	MOLLA	SPRING	RESSORT	FEDER	
21	3353080	1	ANELLO SEEGER	RING	CIRCLIP	RING	
22	3112170	1	CUSCINETTO	BEARING	ROUL. À BILLES	KUGELLAGER	
23	3L8520990/3	1	ASS.MOZZO TRASM. Ø 26 (INCL.19,21,22)	TRANSMISSION HUB ASS.Y Ø 26	ENS.MOYEU TRANSM. Ø 26	ANTRIEBSNABE Ø 26	
24	2135150	1	VITE	SCREW	VIS	SCHRAUBE	
25	2432030	1	DADO	NUT	ECROU	MUTTER	
26	2135160	4	VITE	SCREW	VIS	SCHRAUBE	
27	3744330	1	GOMMINO ANTIVIB. POSTERIORE	REAR SHOCK ABSOR- BER	CAOUTCHOUC ANTI- VIBRAT. ARRIÈRE	SCHWINGUNGSDÄMPFER	
28	4563850/2	1	CARENATURA	TRANSMISSION HOU- SING	TRANSMISSION CARÉNÉE	GEHÄUSE	
29	3744320	3	GOMMINO ANTIVIB. ANTERIORE	FRONT SHOCK ABSOR- BER	CAOUTCHOUC ANTI- VIBRAT AVANT	SCHWINGUNGSDÄMPFER	
30	3615190	1	PIASTRINA FISSAGGIO MANUBRIO	HANDLE FIXING PLATE	PLAQUE FIXATION GUIDON	HANDGRIFF-BEFESTI- GUNGSPLÄTTCHEN	
31	4563860	1	SUPP. ANT. CARENATURA Ø 26	FRONT HOUSING SUP- PORT Ø 26	SUPP. AVANT CARÉNÉ Ø 26	VORD. HALTER F. GEHÄU- SE Ø 26	
32	2135060	2	VITE	SCREW	VIS	SCHRAUBE	
33	12154330/0	2	DADO	NUT	ECROU	MUTTER	
34	4121861/1	1	CAMPANA FRIZIONE	CLUTCH	CLOCHE EMBRAYAGE	KUPPLUNGSGLOCKE	
35	3642191	1	MOZZO CUSCINETTO	BEARING HUB	MOYEU ROULEMENT	LAGERNABE	
36	4251400	1	ALBERO TRASMISSIONE (INCL.34,35)	TRANSMISSION SHAFT (INCL.34,35)	ARBRE TRANSMISSION (INCL.34,35)	MOTORWELLE (INKL.34,35)	
37	4251204	1	ASS. TUBO TRASMISS. Ø 26	TRANSMISSION PIPE ASS.Y Ø 26	ENS.TUBE TRANSM. Ø 26	SET ROHR PULSE Ø 26	
38	8563570	1	ASS. PARASPRUZZI (INCL.39-42)	SAFETY COVER ASS.Y (INCL.39-42)	ENS. CAPOT ANTI- PROJECTIONS (INCL.39-42)	SET SPRITZSCHUTZ (INKL.39-42)	
39	2135030	1	VITE	SCREW	VIS	SCHRAUBE	
40	2312150	1	ROSETTA	WASHER	RONDELLE	SCHEIBE	
41	2432040	1	DADO	NUT	ECROU	MUTTER	
42	3615000	1	LAMIERINO TAGLIAFILO	LINE CUTTER	COUPE-FIL	DRAHTSCHERENBLECH	
43	2312150	2	ROSETTA	WASHER	RONDELLE	SCHEIBE	
44	2135060	2	VITE	SCREW	VIS	SCHRAUBE	
45	4253440	1	BRETELLA PROFI	HARNESS	HARNAIS	GURTZEUG	

STAR

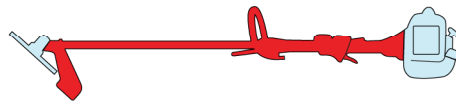
36

36D

41

41D

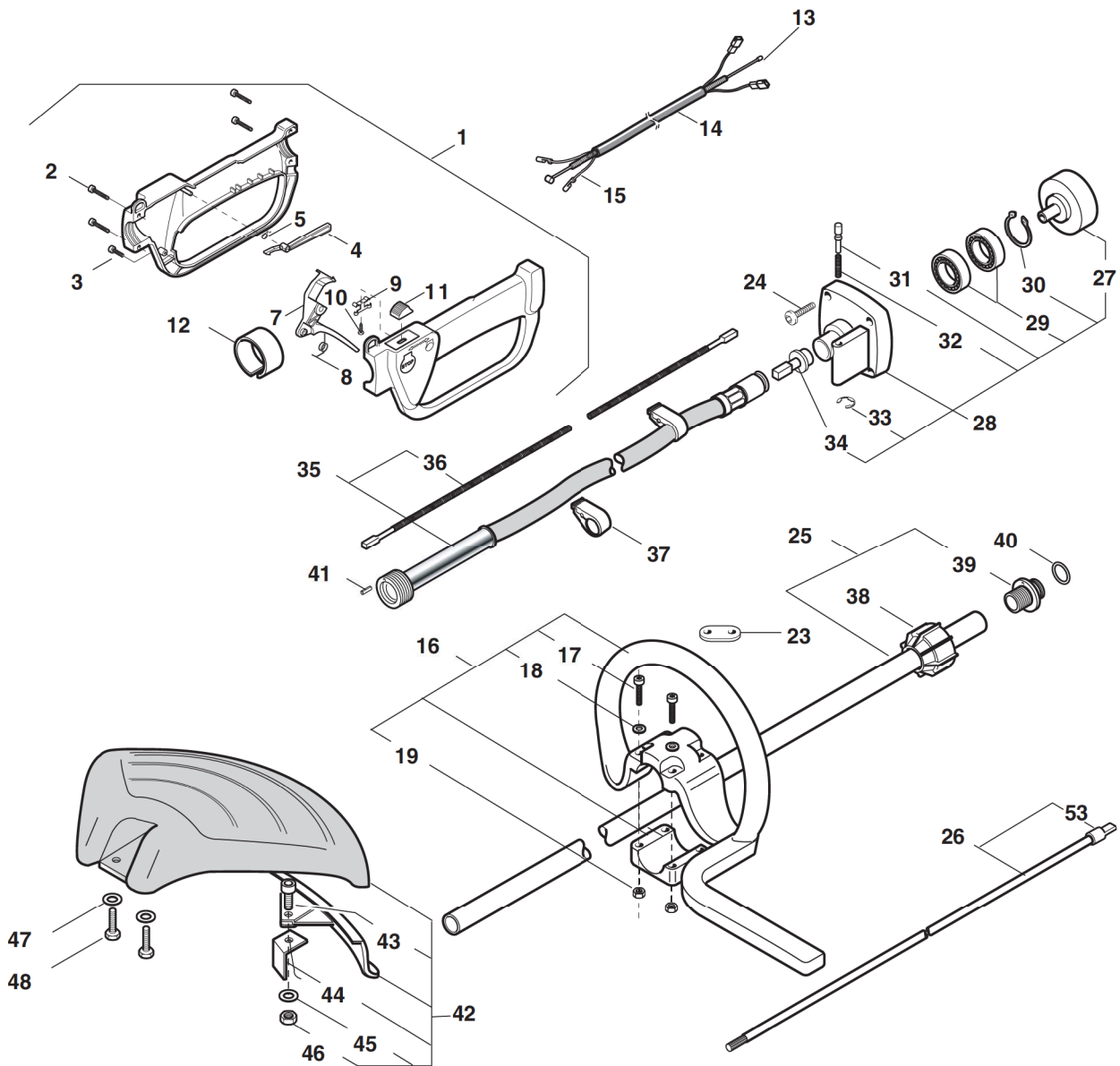
41F



2008

253b.0

1 / 2



POS.	CODE	Q.TY	DESCRIZIONE	DESCRIPTION	DESCRIPTION	BESCHREIBUNG	REMARKS
1	8562620/1	1	ASS. IMPUGNATURA POST. (INCL.2-12)	HANDLE ASS.Y (INCL.2-12)	ENS.POIGNÉE (INCL.2-12)	SET HANDGRIFF HINTEN (INCL.2-12)	
2	2123030	4	VITE	SCREW	VIS	SCHRAUBE	
3	2123100	2	VITE	SCREW	VIS	SCHRAUBE	
4	3743475	1	LEVA DI SICUREZZA	SAFETY LEVER	LEVIER DE SÉCURITÉ	SICHERHEITSHABEL	
5	3654300	1	MOLLA LEVA DI SICUREZZA	SPRING	RESSORT	FEDER SICHERHEITSHABEL	
7	3743465	1	LEVA ACCELERATORE	THROTTLE LEVER	LEVIER ACCÉLÉRATEUR	GASHEBEL	
8	3654270/1	1	MOLLA LEVA ACCELERATORE	SPRING	RESSORT	FEDER GASHEBEL	
9	3612710	1	LAMIERINO DI STOP	STOP PLATE	PLAQUE D'ARRÊT	STOP-PLÄTTCHEN	
10	2123070	1	VITE	SCREW	VIS	SCHRAUBE	
11	3749270	1	POMELLO DI STOP	STOP KNOB	BOUTON D'ARRÊT	STOP-SCHALTER	
12	3750290	2	RIDUZIONE	REDUCTION	RÉDUCTION	REDUZIERSTÜCK	
13	23066004/0	1	CAVO ACCELERATORE	WIRE ASS.Y	CÂBLE ACCÉLÉR.	STARTERKABEL	
14	3782680	1	GUAINA CAVI	WIRE SHEATH	GAINÉ CÂBLES	KABELMANTEL	

POS.	CODE	Q.TY	DESCRIZIONE	DESCRIPTION	DESCRIPTION	BESCHREIBUNG	REMARKS
15	8211390	1	COPPIA CAVI STOP	STOP CABLE COUPLE	PAIRE CÂBLES ARRÊT	KABELPAARSTOP	
16	8563600	1	ASS. IMPUGNATURA ANT. (INCL.17-19)	FRONT HANDLE ASS.Y (INCL.17-19)	ENS.POIGNÉE AVANT (INCL.17-19)	SET HANDGRIFF VORNE (INCL.17-19)	
17	2135050	4	VITE	SCREW	VIS	SCHRAUBE	
18	2312090	4	ROSETTA	WASHER	RONDELLE	SCHEIBE	
19	2412030	4	DADO	NUT	ECROU	MUTTER	
23	3614980	1	ASOLA IMPUGNATURA X CORDA ELASTICA	HANDLE-HOLE FOR ELASTIC CORD	CEILLET POIGNÉE POUR CORDE ÉLASTIQUE	HANDGRIFFÖSE X ELASTISCHES SEIL	
24	2135160	4	VITE	SCREW	VIS	SCHRAUBE	
25	4252390	1	ASS. TUBO TRASMISSIONE (INCL.39)	TRANSM. PIPE ASS.Y (INCL.39)	ENS.TUBE TRANSM. (INCL.39)	SET ROHR PULSE (INCL.39)	
26	8630150	1	ASS. ALBERO TRASMISSIONE (INCL.53)	TRANSM.SHAFT ASS.Y (INCL.53)	ENS.ARBRE TRANSM. (INCL.53)	SET MOTORWELLE (INCL.53)	
27	4121861/1	1	CAMPANA FRIZIONE	CLUTCH DRUM	CLOCHE EMBRAYAGE	KUPPLUNGSGLOCKE	
28	8540910	1	ASS.SUPPORTO TRASMISSIONE (INCL.27,29-34)	SUPPORT TRANSM. (INCL.27,29-34)	SUPP. TRANSM. (INCL.27,29-34)	GETRIEBEPLATTFORM (INCL.27,29-34)	
29	3112170	2	CUSCINETTO	BEARING	ROUL. À BILLES	KUGELLAGER	
30	3353080	1	ANELLO SEEGER	RING	CIRCLIP	RING	
31	3642420	1	PERNO	PIN	TOURILLON	STIFT	
32	3654170	1	MOLLA	SPRING	RESSORT	FEDER	
33	3351050	1	FERMO	RETAINER	DUTOIR	SPERRUNG	
34	3642430	1	MOZZO	HUB	MOYEU	NABE	
35	4122110/1	1	ASS. ALBERO FLEX C/ GUAINA J (INCL.36)	FLEX SHAFT ASS.Y J (INCL.36)	ENS.ARBRE FLEX J (INCL.36)	FLEX WELLENEINHEIT J (INCL.36)	
36	4253990/1	1	ALBERO FLESSIBILE J	FLEXIBLE SHAFT J	ARBRE FLEXIBLE J	BIEGSAME WELLE J	
37	3749310	2	FASCETTA FERMACAVI	CLIP	COLLIER	KABELKLEMME	
38	3750270	1	GHIERA FISSAGGIO IMPUGNATURA	PLATE FOR HANDLE FIXING	VIROLE FIXATION POIGNÉE	RING GRIFFBEFESTIGUNG	
39	3643220	1	MANICOTTO FILETTATO X FLEX Ø28	FLEX THREADED COUPLING Ø28	MANCHON FILETÉ POUR FLEX Ø28	FLEX GEWINDEMUFFE Ø28	
40	3721540	1	ANELLO OR	OR RING	JOINT OR	OR-DICHTUNG	
41	3314040	1	SPINA DI CENTRAGGIO	CENTRING PIN	GOUPILLE DE CENTRAGE	ZENTRIERSTIFT	
42	8563570	1	ASS. PARASPRUZZI (INCL.43-46)	SAFETY COVER ASS.Y (INCL.43-46)	ENS. CAPOT ANTI-PROJECTIONS (INCL.43-46)	SPRITZSCHUTZ (INCL.43-46)	
43	2135030	1	VITE	SCREW	VIS	SCHRAUBE	
44	3615000	1	LAMIERINO TAGLIAFILO	LINE CUTTER	COUPE-FIL	DRAHTSCHERENBLECH	
45	2312150	1	ROSETTA	WASHER	RONDELLE	SCHEIBE	
46	2432040	1	DADO	NUT	ECROU	MUTTER	
47	2312150	2	ROSETTA	WASHER	RONDELLE	SCHEIBE	
48	2135060	2	VITE	SCREW	VIS	SCHRAUBE	
53	3642290	1	RACCORDO INNESTO FLEX Ø28	FLEX JOINT Ø28	RACCORD FLEX Ø28	DEHNBARER ANSCHLUSS Ø28	

STAR

36

36D

41

41D

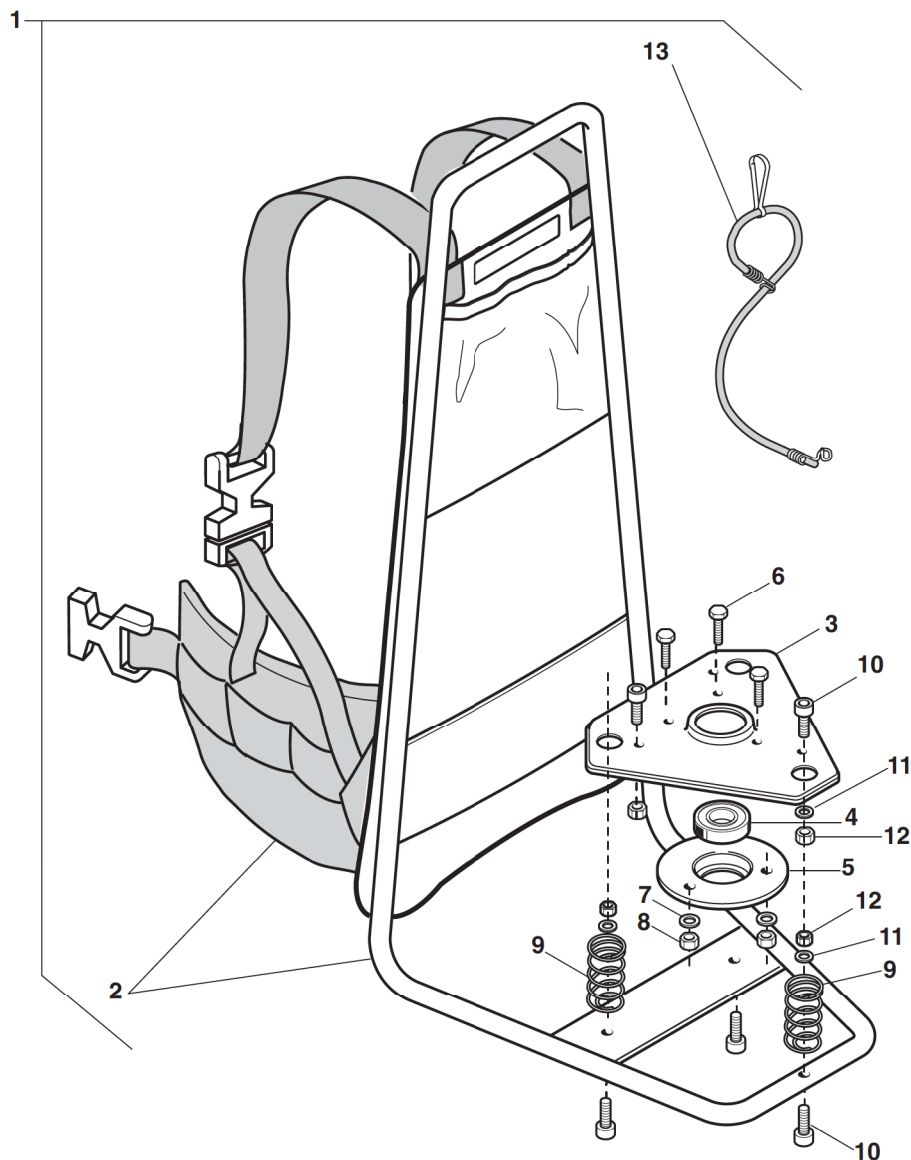
41F



2008

254.0

1 / 1



POS.	CODE	Q.TY	DESCRIZIONE	DESCRIPTION	DESCRIPTION	BESCHREIBUNG	REMARKS
1	4252360	1	ASS.ZAINO (INCL. 2-13)	KNAP SACK (INCL. 2-13)	SAC À DOS (INCL. 2-13)	RUCKSACK (INKL. 2-13)	
2	8122080	1	ASS. TELAIO ZAINO C/ BRETELLE	KNAP SACK FRAME ASS. Y W/ HARNESS	STRUCT. SAC À DOS AVEC BRETELLES	RAHMEN RUCKSACK M. GURTZEUG	
3	4612280	1	PIASTRA SUPPORTO MOTORE	ENGINE SUPPORT	SUPPORT MOTEUR	MOTORSTÜTZPLATTE	
4	3112170	1	CUSCINETTO	BEARING	ROUL. À BILLES	KUGELLAGER	
5	4612020	1	FLANGIA CUSCINETTO	BEARING FLANGE	BRIDE ROULEMENT	LAGERFLANSCH	
6	2112260	3	VITE	SCREW	VIS	SCHRAUBE	
7	2312090	3	ROSETTA	WASHER	RONDELLE	SCHEIBE	
8	2432040	3	DADO	NUT	ECROU	MUTTER	
9	3654360	3	MOLLA ANTIVIB.ZAINO	SPRING	RESSORT	FEDER	
10	2132110	6	VITE	SCREW	VIS	SCHRAUBE	
11	2312130	6	ROSETTA	WASHER	RONDELLE	SCHEIBE	
12	2432030	6	DADO	NUT	ECROU	MUTTER	
13	4252430	1	CORDA ELASTICA	ELASTIC CORD	CORDE ÉLASTIQUE	ELASTISCHES SEIL	

STAR

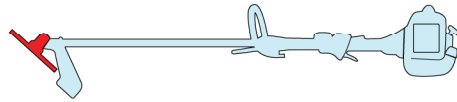
36

36D

41

41D

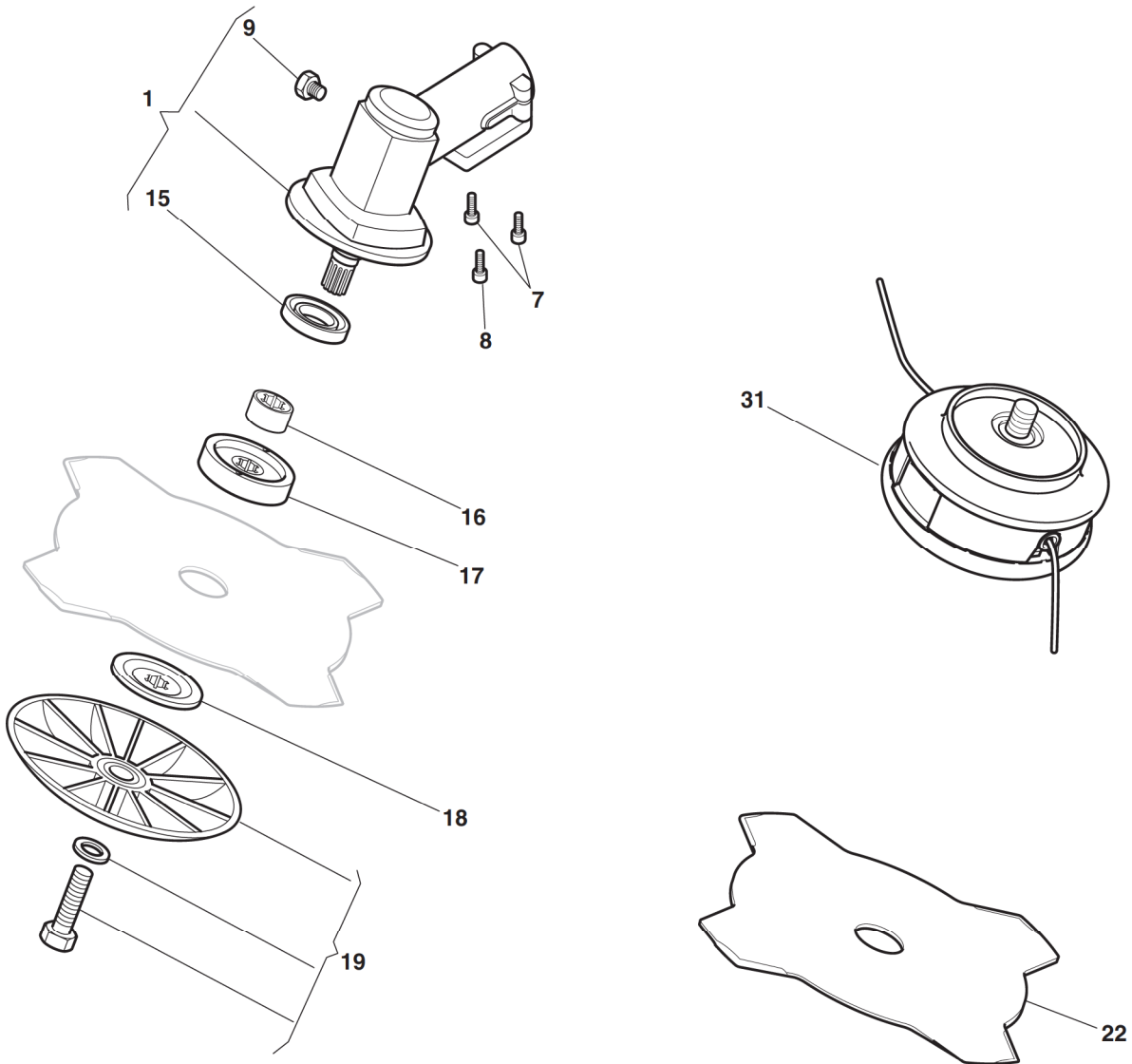
41F



2008

255.0

1 / 1



POS.	CODE	Q.TY	DESCRIZIONE	DESCRIPTION	DESCRIPTION	BESCHREIBUNG	REMARKS
1	4252780/1	1	ASS.TESTINA INGRANAG- GI Ø26MM	GEAR CASE ASSY Ø26MM	ENS.BOÎTE ENGREN. Ø26MM	SET ZAHNRADGETRIEBE Ø26MM	
7	2135050	2	VITE	SCREW	VIS	SCHRAUBE	
8	2653090	1	VITE	SCREW	VIS	SCHRAUBE	
9	2653460	1	VITE	SCREW	VIS	SCHRAUBE	
15	3121170	1	ANELLO DI TENUTA	SEAL RING	ANNEAU DE TENUE	DICHTRING	
16	3641700/1	1	COLLARE	COLLAR	COLLIER	STELLRING	
17	3641640	1	GHIERA SUPERIORE	UPPER RING NUT	BAGUE SUPÉRIEURE	OBERER RINGBOLZEN	
18	3612640	1	GHIERA INFERIORE	LOWER RING NUT	BAGUE INFÉRIEURE	UNTERER RINGBOLZEN	
19	4560610	1	COPPA FISSA	STABILIZER	STABILISATEUR	STABILISATOR	
20	2321230	1	ROSETTA	WASHER	RONDELLE	SCHEIBE	
21	2653170	1	VITE	SCREW	VIS	SCHRAUBE	
22	4611880	1	DISCO 4 PUNTE 25 CM	4 TEETH DISC 25 CM	LAME À 4 DENTS 25 CM	SCHEIBE / 4 ZÄHNE 25 CM	
31	4353240/1	1	TESTINA 2 FILI TAP & GO	2 HEDGES NYLON HEAD	TÊTE À 2 FILS NYLON	2 DRAHTSCHEIBE	

STAR

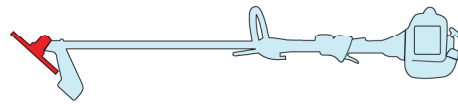
36

36D

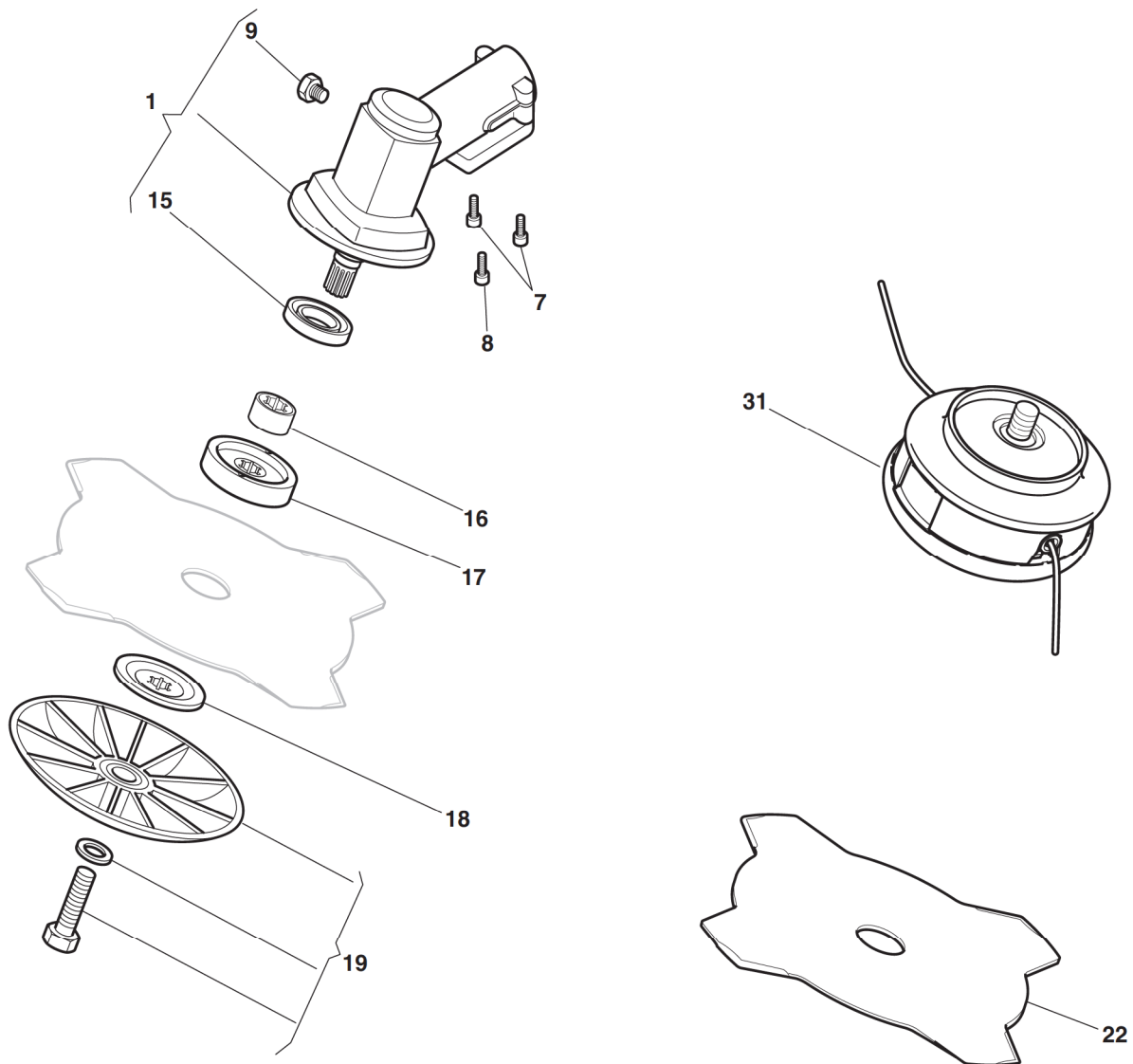
41

41D

41F



2008
255a.0
1 / 1



POS.	CODE	Q.TY	DESCRIZIONE	DESCRIPTION	DESCRIPTION	BESCHREIBUNG	REMARKS
1	4252790/1	1	ASS.TESTINA Ø28MM	GEAR CASE ASSY Ø28	ENS.BOÎTE ENGREN. Ø28	SET ZAHNRADGETRIEBE Ø28	
7	2135050	2	VITE	SCREW	VIS	SCHRAUBE	
8	2653090	1	VITE	SCREW	VIS	SCHRAUBE	
9	2653460	1	VITE	SCREW	VIS	SCHRAUBE	
15	3121170	1	ANELLO DI TENUTA	SEAL RING	ANNEAU DE TENUE	DICHTRING	
16	3641700/1	1	COLLARE	COLLAR	COLLIER	STELLRING	
17	3641640	1	GHIERA SUPERIORE	UPPER RING NUT	BAGUE SUPÉRIEURE	OBERER RINGBOLZEN	
18	3612640	1	GHIERA INFERIORE	LOWER RING NUT	BAGUE INFÉRIEURE	UNTERER RINGBOLZEN	
19	4560610	1	COPPA FISSA	STABILIZER	STABILISATEUR	STABILISATOR	
20	2321230	1	ROSETTA	WASHER	RONDELLE	SCHEIBE	
21	2653170	1	VITE	SCREW	VIS	SCHRAUBE	
22	4611880	1	DISCO 4 PUNTE 25 CM	4 TEETH DISC 25 CM	LAME À 4 DENTS 25 CM	SCHEIBE / 4 ZÄHNE 25 CM	
31	4353240/1	1	TESTINA 2 FILI TAP & GO	2 HEDGES NYLON HEAD	TÊTE À 2 FILS NYLON	2 DRAHTSCHEIBE	

STAR

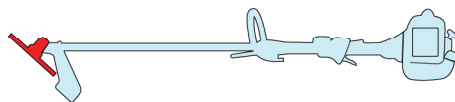
36

36D

41

41D

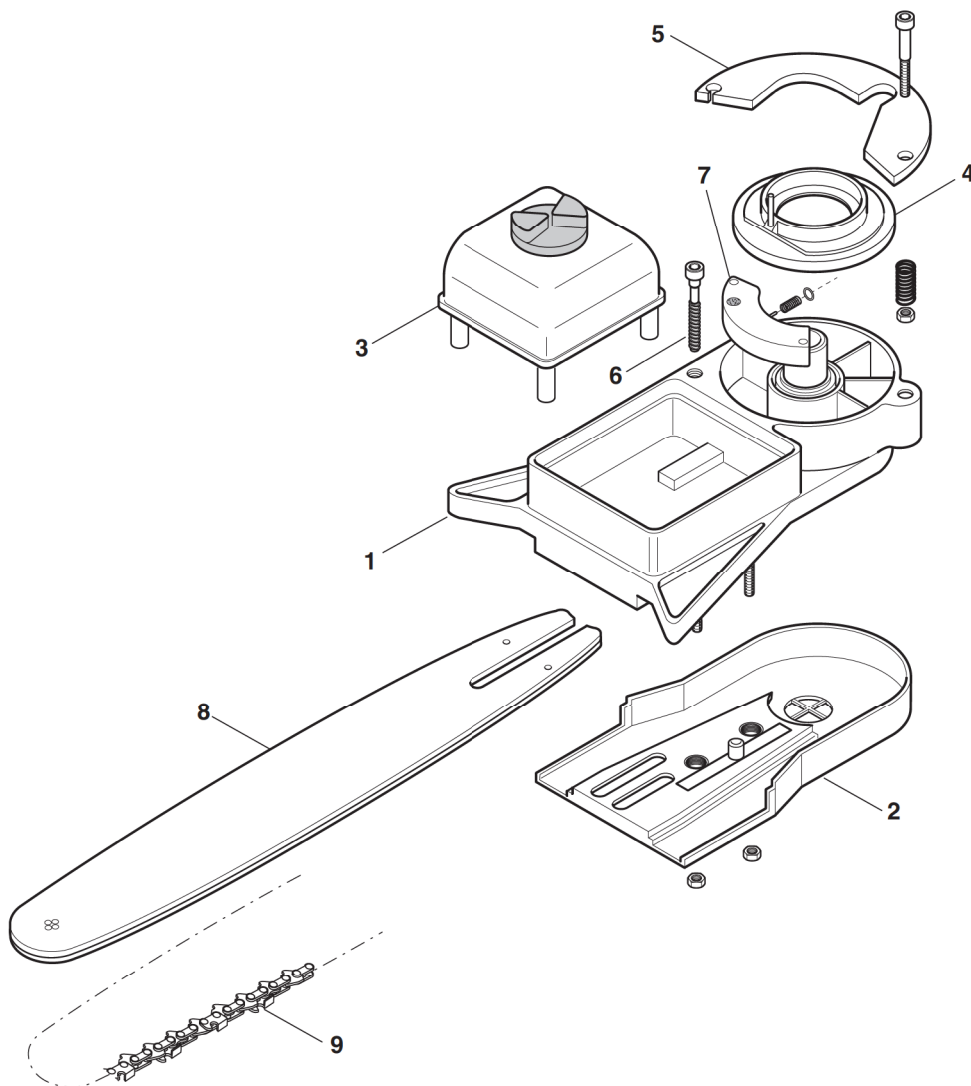
41F



2008

256.0

1 / 1



POS.	CODE	Q.TY	DESCRIZIONE	DESCRIPTION	DESCRIPTION	BESCHREIBUNG	REMARKS
1	6910501	1	ASS. CARTER TRASMISSIONE Ø26	TRANSMISSION CASE ASS.Y Ø26	ENS.CARTER TRANSMISSION Ø26	ANTRIEBSGEH. Ø26	
2	6910502	1	CARTER CATENA	CHAIN HOUSING	CARTER CHAÎNE	KETTENGEGÄUSE	
3	6910503	1	SERBATOIO OLIO	OIL TANK	RÉSERVOIR HUILE	ÖLTANK	
4	6910505	1	COPERCHIO Ø26	COVER Ø26	COUVERCLE Ø26	ABDECKUNG Ø26	
5	6910506	1	FLANGIA	FLANGE	BRIDE	FLANSCH	
6	6910507	1	VITE	SCREW	VIS	SCHRAUBE	
7	6910508	1	ASS. POMPA OLIO	OIL PUMP ASS.Y	POMPE À HUILE	SET ÖLPUMPE	
8	4112610	1	BARRA GUIDA 10"	GUIDE BAR 10"	GUIDE-CHAÎNE 10"	KETTENSTEG 10"	10" 3/8" .042" (1.1 mm)
9	4113551	1	CATENA 10"	CHAIN 10"	CHAÎNE 10"	KETTE 10"	10" 3/8" .042" (1.1 mm) - 38E

STAR

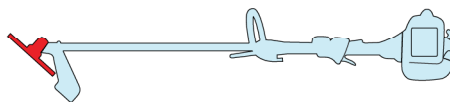
36

36D

41

41D

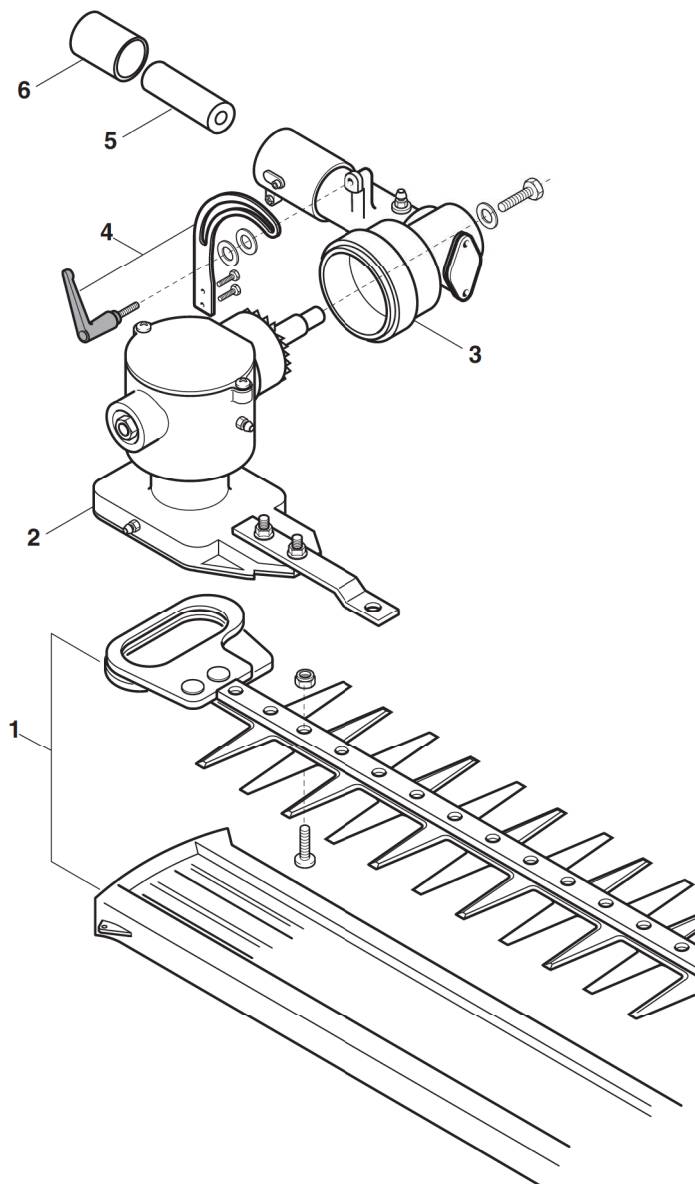
41F



2008

257.0

1 / 1



POS.	CODE	Q.TY	DESCRIZIONE	DESCRIPTION	DESCRIPTION	BESCHREIBUNG	REMARKS
1	6910520	1	ASS. LAME	BLADE ASS.Y	ENS.LAME	KLINGEN	
2	6910521	1	ASS. CARTER TRASMISSIONE	TRANSMISSION SHAFT ASS.Y	ENS.CARTER TRANSMISSION	ANTRIEBSGEH.	
3	6910524	1	ASS. TESTINA	GEAR CASE ASS.Y	ENS.BOÎTE ENGRENAGE	ANTRIEBSGEHÄUSE	
4	6910523	1	LEVA+STAFFA DI REGOLAZIONE	LEVER+REGULATION ROD	LEVIER+BARRE DE RÉGLAGE	HEBEL+REGELUNGSBÜGEL	
5	4252640	1	MANICOTTO	COUPLING	MANCHON	MUFFE	
6	2382430	1	DISTANZIALE	SPACER	ENTRETOISE	ENTFERNUNGSTÜCK	