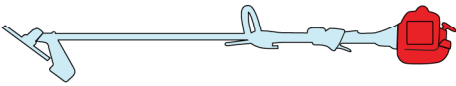
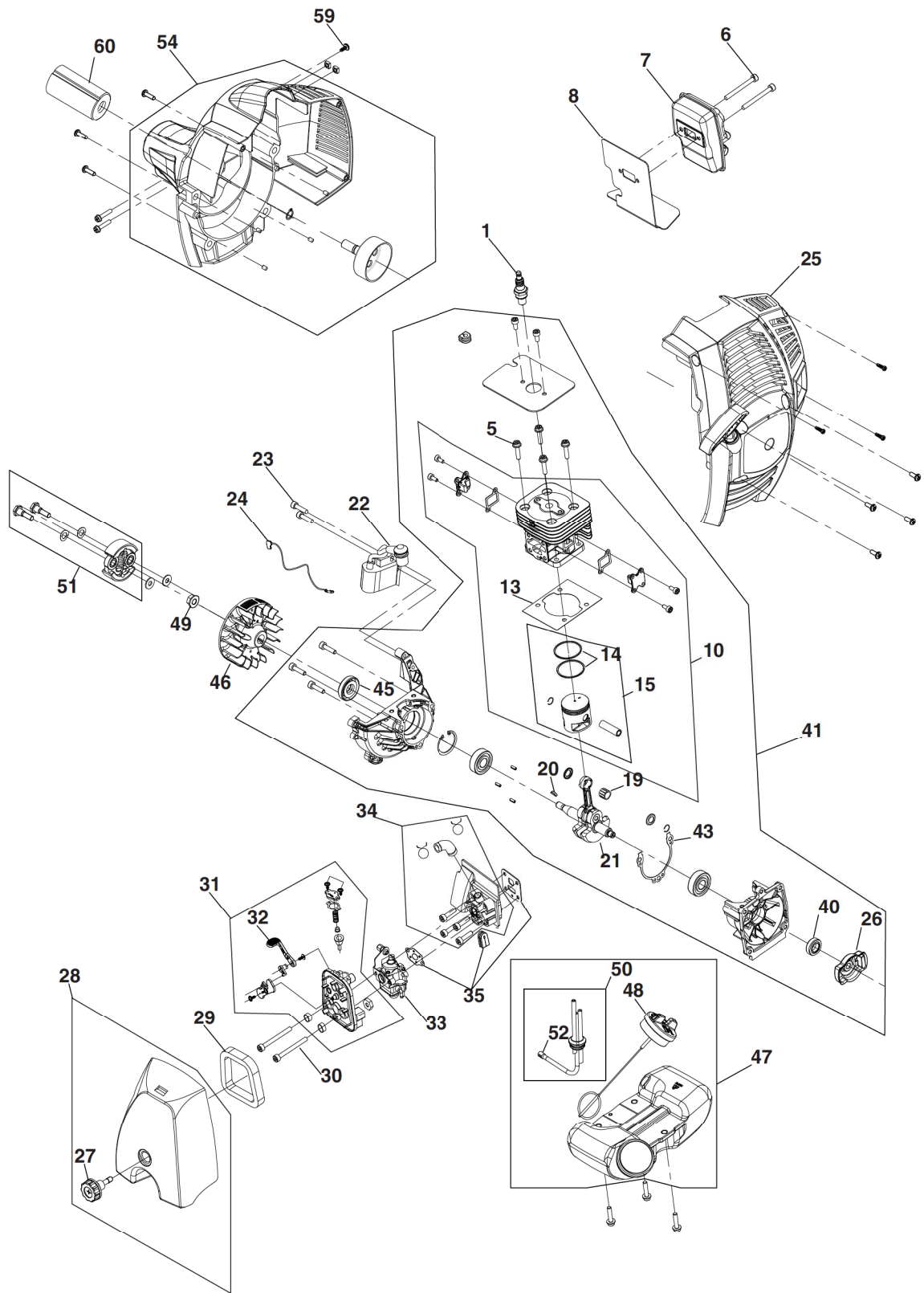


TB 27J



2008
204.0
1 / 4

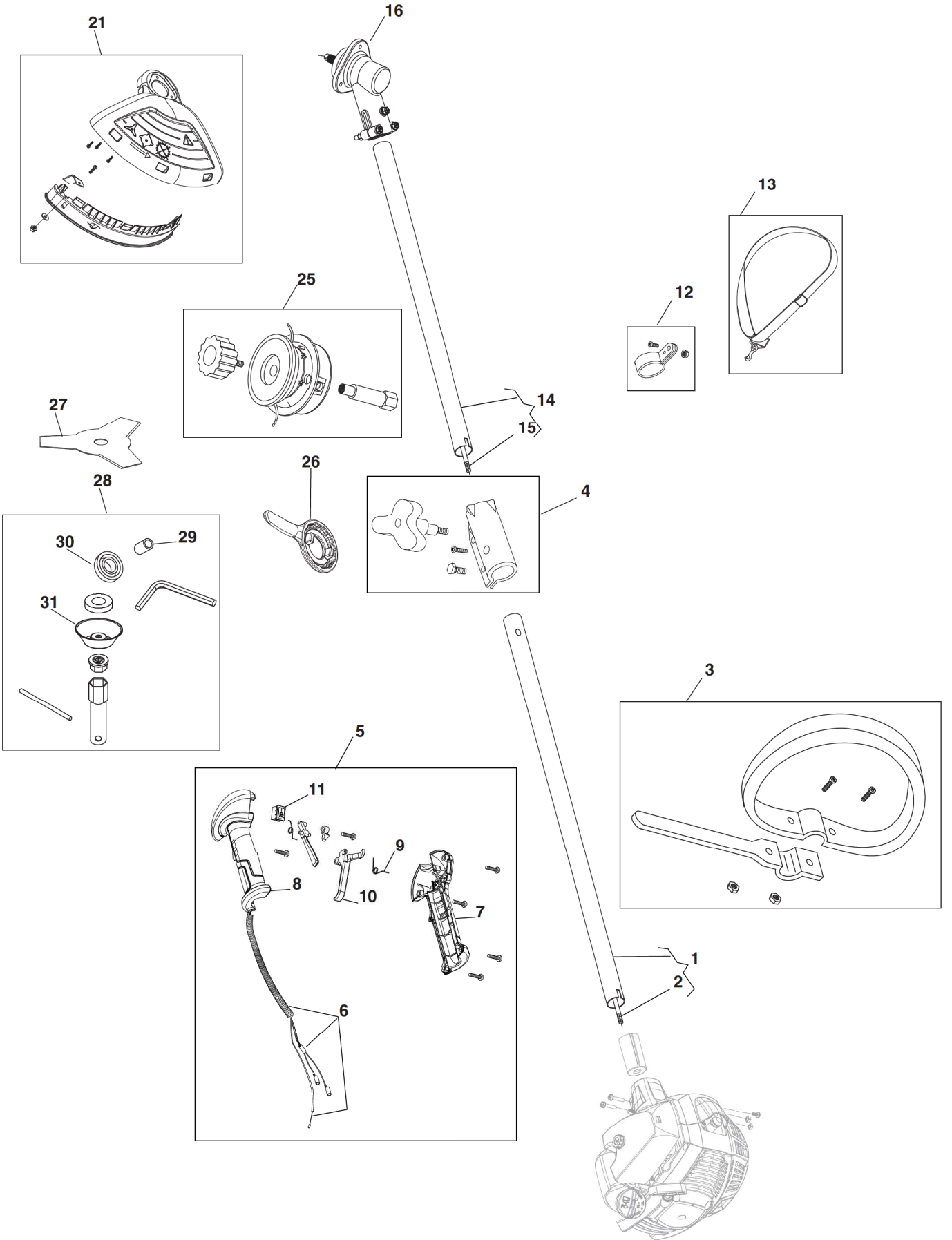


POS.	CODE	Q.Q.TY	DESCRIZIONE	DESCRIPTION	DESCRIPTION	BESCHREIBUNG	REMARKS
1	23051000/0	1	CANDELA	SPARK PLUG	BOUGIE	ZÜNDKERZE	
5	123878049/0	1	VITE	SCREW	VIS	SCHRAUBE	
6	123878050/0	1	VITE	SCREW	VIS	SCHRAUBE	
7	183740005/0	1	SILENZIATORE	MUFFLER	SILENCIEUX	SCHALLDÄMPFER	
8	123280025/0	1	GUARNIZIONE SILENZIA-TORE	GASKET	JOINT SILENCIEUX	DICHTUNG SCHALLDÄM-PFER	
10	183070003/0	1	ASS. CILINDRO - PISTO-NE	CYLINDER - PISTON ASS'Y	ENS.CYLINDRE-PISTON	SET ZYLINDER-KOLBEN	
13	123280026/0	1	GUARNIZIONE CILINDRO	CYLINDER GASKET	JOINT CYLINDRE	ZYLINDERDICHTUNG	
14	123204004/0	2	FASCIA ELASTICA	PISTON RING	COLLIER ÉLASTIQUE	KOLBENRING	
15	183590003/0	1	ASS. PISTONE	PISTON ASS'Y	ENS.PISTON	SET KOLBEN	
19	123072001/0	1	ASTUCCIO A RULLI	NEEDLE BEARING	ROUL. À AIGUILLES	WALZENROHR	
20	123072000/0	1	LINGUETTA VOLANO	FLYWHEEL KEY	CLAVETTE VOLANT	LASCHE SCHWUNGRAD	
21	123020019/0	1	LINGUETTA VOLANO	FLYWHEEL KEY	LANGUETTE VOLANT	LASCHE SCHWUNGRAD	
22	123044007/0	1	BOBINA ELETTRONICA	ELECTR. COIL	BOBINE ÉLECTRONIQUE	ELEKTRONIKSPULE	
23	123878051/0	1	VITE	SCREW	VIS	SCHRAUBE	
24	123065033/0	1	CAVO BOBINA	SPARK PLUG CABLE	CÂBLE BOUGIE	SPULENDRAHT	
25	183037001/0	1	ASS. AVVIATORE GIALLO	STARTER ASSY YELLOW	DÉMARREUR JAUNE	SET STARTER GELB	
-	183037002/0	1	ASS. AVVIATORE ROSSO	STARTER ASSY RED	DÉMARREUR ROUGE	SET STARTER ROT	
26	123082001/0	1	COPPA AVVIAMENTO	STARTER CUP	COUPE DÉMARREUR	STARTERGEHÄUSE	
27	123593505/0	1	POMELLO	KNOB	BOUTON	KNAUF	
28	183090003/0	1	COPRIFILTRO, GIALLO	FILTER COVER, YELLOW	COUVRE-FILTRE, JAUNE	FILTERABD. GELB	
-	183090004/0	1	COPRIFILTRO, ROSSO	FILTER COVER, RED	COUVRE-FILTRE, ROUGE	FILTERABD. ROT	
29	123220008/0	1	FILTRO ARIA	AIR FILTER	FILTRE À AIR	LUFTFILTER	
30	123878052/0	1	VITE	SCREW	VIS	SCHRAUBE	
31	383781001/0	1	SUPP. FILTRO ARIA	AIR FILTER HOLDER	SUPP. FILTRE À AIR	HALTER LUFTFILTER	
32	123315077/0	1	LEVA ARIA	CHOKE LEVER	LEVIER AIR	CHOKERHEBEL	
33	123054021/0	1	CARBURATORE	CARBURETTOR	CARBURATEUR	VERGASER	
34	383073501/0	1	ASS. COLLETTORE ASPI-RAZIONE	INTAKE MANIFOLD ASSY	COLLECTEUR ASPIRA-TION	KOLLEKTOR ANSAUGUNG	
35	183303511/0	1	ASS. GUARNIZIONI	GASKET ASS'Y	GASKET ASS'Y	SET DICHTUNGEN	
40	119035154/0	1	ANELLO DI TENUTA	SEAL RING	ANNEAU DE TENUE	DICHTRING	
41	183275301/0	1	SHORT BLOCK MOTORE	ENGINE SHORT BLOCK	SHORT BLOCK MOTEUR	SHORT BLOCK MOTOR	
43	123280027/0	1	GUARNIZIONE CARTER	CRANKCASE GASKET	GARNITURE CARTER	GEHÄUSEDICHTUNG	
45	112020001/0	1	ANELLO DI TENUTA	SEAL RING	ANNEAU DE TENUE	DICHTRING	
46	183880004/0	1	ASS. VOLANO C/MASSE	FLYWHEEL ASS.Y	ENS. VOLANT	SCHWUNGRAD MAGNET	
47	183733004/0	1	ASS. SERBATOIO MIX.	KIT FUEL TANK	ENS.RÉSERVOIR MÉ-LANGE	SET TREIBSTOFFTANK	
48	123790016/0	1	ASS. TAPPO MISCELA	FUEL CAP ASSY	BOUHCON MÉLANGE	SET DECKEL TREIBSTOFF	
49	123120004/0	1	DADO	NUT	ECROU	MUTTER	
50	383240001/0	1	ASS. GOMMINO PASSA-TUBI	GROMMET ASSY	ENS.RONDELLE CAOU-TCHOUC	SET GUMMIRINGE	
51	183215003/0	1	ASS. FRIZIONE	CLUTCH ASS.Y	FRICTION	SET KUPPLUNG	
52	183520001/0	1	PESCANTE MISCELA	INTAKE FILTER	FILTRE D'ASPIRATION	TAUCHSONDE	
54	383785001/0	1	ASS.SUPPORTO TRASM., GIALLO	SUPPORT TRASM.ASSY, YELLOW	ENS.SUPPORT TRANSM., JAUNE	GETRIEBEPLATTFORM, GELB	
-	383785002/0	1	ASS.SUPPORTO TRASM., ROSSO	SUPPORT TRASM.ASSY, RED	ENS.SUPPORT TRANSM., ROUGE	GETRIEBEPLATTFORM, ROT	
59	6980624	1	VITE	SCREW	VIS	SCHRAUBE	
60	123275020/0	1	GOMMINO	GROMMET	CAOUTCHOUC	GUMMI	

TB 27J



2008
204.0
3 / 4



POS.	CODE	Q.Q.TY	DESCRIZIONE	DESCRIPTION	DESCRIPTION	BESCHREIBUNG	REMARKS
1	383869060/0	1	ASS.TUBO TRASMISSIONE	TRANSMISSION PIPE ASS.Y	ENS.TUBE TRANSM.	SCHAFTGRUPPE	
2	123020018/0	1	ASS.ALBERO TRASMISSIONE	TRANSM.SHAFT ASS.Y	ENS.ARBRE TRANSM.	MOTORWELLENEINHEIT	
3	383300018/0	1	IMPUGNATURA ANTERIORE	FRONT HANDLE	POIGNÉE AVANT	HANDGRIFF VORNE	
4	383260001/0	1	GIUNTO DI CONNESSIONE	JOINT CHAIR ASS'Y	ENS.JONCTION ARBRE TRANS.	KUPPLUNGSTEIL	
5	383300017/0	1	ASS. IMPUGNATURA	HANDLE ASS.Y	ENS.POIGNÉE	SET HANDGRIFF	
6	183065012/0	1	ASS. CAVI + GUAINA	CABLES ASS.Y + SHEATH	CÂBLE AVEC GAINÉ	KABEL MIT MANTEL	
7	123700054/0	1	IMPUGNATURA DESTRA	RIGHT HANDGRIP	BRANCHE DRO.	RECHTE GRIFF	
8	123700055/0	1	IMPUGNATURA SINISTRA	LEFT HANDGRIP	BRANCHE GAU.	LINKE GRIFF	
9	123430578/0	1	MOLLA LEVA ACCELERATORE	SPRING	RESSORT	FEDER GASHEBEL	
10	123315076/0	1	LEVA ACCELERATORE	THROTTLE LEVER	LEVIER ACCÉLÉRATEUR	GASHEBEL	
11	6980206	1	INTERRUTTORE STOP	STOP SWITCH	INTERRUPTEUR D'ARRÊT	STOP-SCHALTER	
12	383780001/0	1	ASS. SUPPORTO BRETTELLE	HARNESS SUPPORT ASS.Y	ENS.SUPPORT HARNAIS	GURTZEUGHALTER	
13	123046004/0	1	BRETTILLA	HARNESS	HARNAIS	GURTZEUG	
14	383869062/0	1	ASS.TUBO TRASMISSIONE	TRANSMISSION PIPE ASS.Y	ENS.TUBE TRANSM.	SCHAFTGRUPPE	
15	123020020/0	1	ASS.ALBERO TRASMISSIONE	TRANSM.SHAFT ASS.Y	ENS.ARBRE TRANSM.	MOTORWELLENEINHEIT	
16	383820505/0	1	ASS.TESTINA INGRANAGGI	GEAR CASE ASSY	ENS. BOÎTE ENGREN.	SET ZAHNRADGETRIEBE	
21	383465005/0	1	ASS. PARASPRUZZI	SAFETY COVER ASS.Y	ENS. CAPOT ANTI-PROJECTIONS	SET SPRITZSCHUTZ	
25	383820504/0	1	ASS. TESTINA A FILI	CUTTING LINE ASSY	ENS. TÊTE FILS	SET SCHNEIDEKOPF	
26	123070009/0	1	CHIAVE TESTINA	NYLON HEAD KEY	CLEF	SCHLUSSEL	
27	123155005/0	1	DISCO 3 PUNTE	3 TEETH DISC	LAME À 3 DENTS	SCHEIBE / 3 ZÄHNE	
28	383303512/0	1	BUSTA DOTAZIONI	PARTS BAG	DOTATION	SATZ	
29	6980307	1	COLLARE	COLLAR	COLLIER	STELLRING	
30	6980308	1	GHIERA SUPERIORE	UPPER RING NUT	BAGUE SUPÉRIEURE	OBERER RINGBOLZEN	
31	6980312	1	COPPA FISSA	STABILIZER	STABILISATEUR	STABILISATOR	