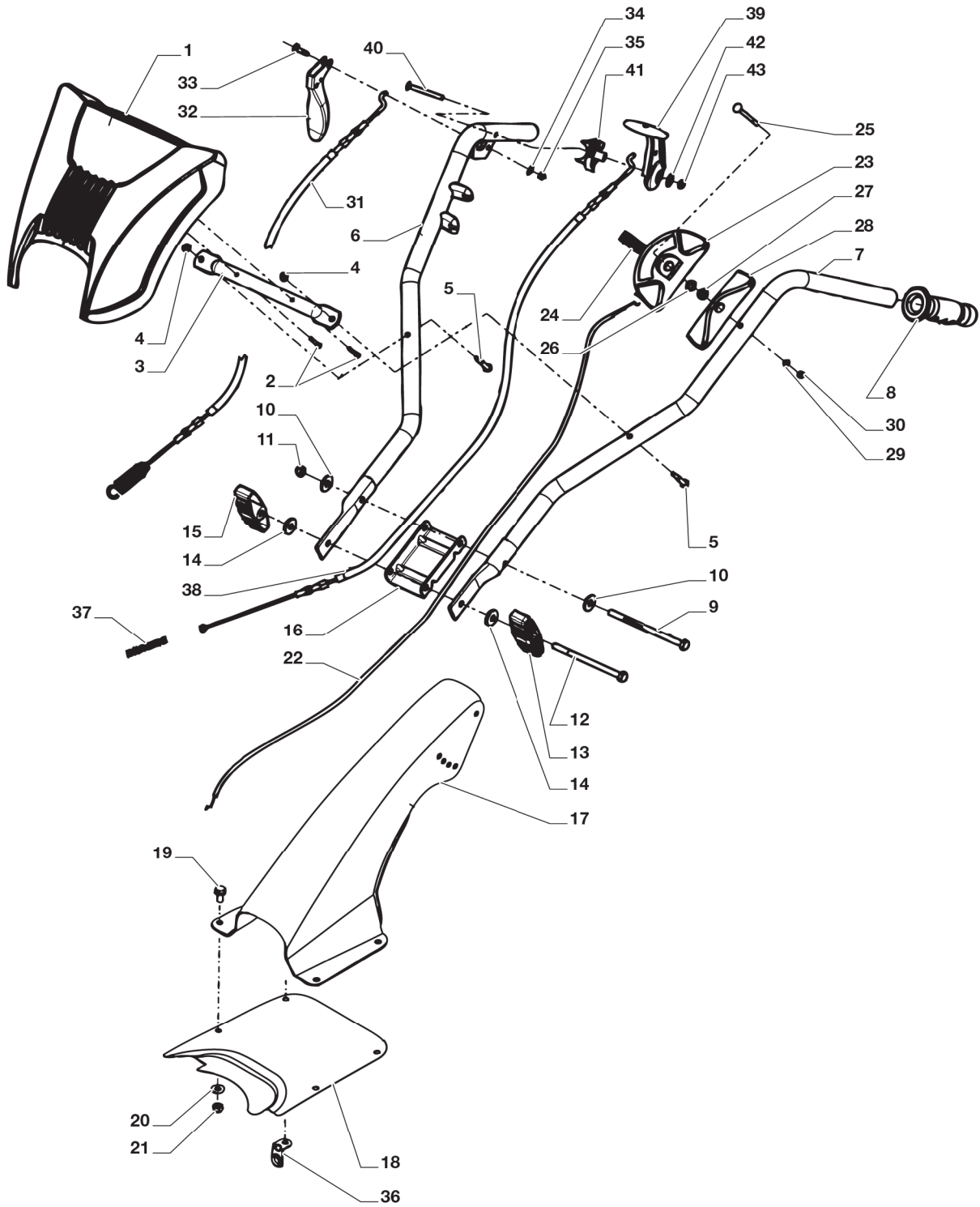


360 G	500-G	40-G	50-G	75-G	82 R-HX	87 B	TAVOLA 1	2009
	500 R-G	40 R-G	50-H	75 R-B			TABLE 1	1201.0
			50 R-B	75 R-H			TABLEAU 1	1 / 2
				75 R-HX			TAFEL 1	



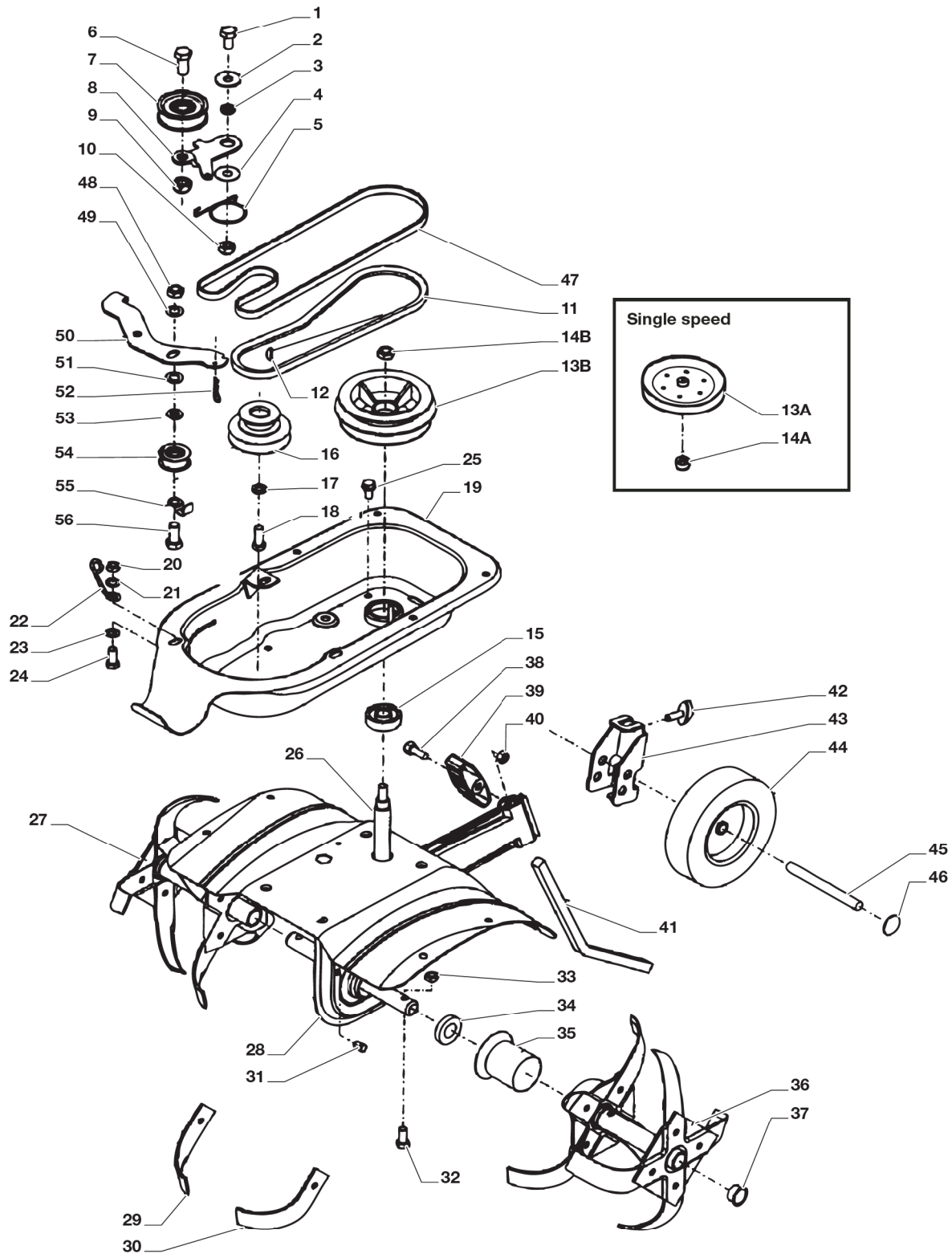
N.	CODE	Q.TY	DESCRIZIONE	DESCRIPTION	DESCRIPTION	BESCHREIBUNG
1	1483-2182-01	1	Mascherina, Gialla	Mask, Yellow	Mesque, Jaune	Maske, Gelb
1	1483-2182-02	1	Mascherina, Rossa	Mask, Red	Mesque, Rouge	Maske, Rot
2	1483-2200-01	2	Vite	Screw	Vis	Schraube
3	1483-2180-01	1	Staffa	Bracket	Support	Schelle
4	9747-0631-02	2	Dado	Nut	Ecrou	Mutter
5	9997-0635-12	2	Vite	Screw	Vis	Schraube
6	1483-2178-01	2	Manico (40R-G)	Handle (40R-G)	Mancheron (40R-G)	Holm (40R-G)
6	1483-2179-01	1	Manico (40-G)	Handle (40-G)	Mancheron (40-G)	Holm (40-G)
7	1483-2177-01	1	Manico	Handle	Mancheron	Holm
8	1483-2079-01	2	Impugnatura	Handgrip	Poignée	Handgriff
9	9997-0813-02	1	Vite	Screw	Vis	Schraube
10	9699-0122-02	2	Rosetta	Washer	Rondelle	Scheibe
11	9747-0831-02	1	Dado	Nut	Ecrou	Mutter





N.	CODE	Q.TY	DESCRIZIONE	DESCRIPTION	DESCRIPTION	BESCHREIBUNG
12	9997-0812-02	1	Vite	Screw	Vis	Schraube
13	1483-2045-01	1	Manopolina	Knob	Poignee	Griff
14	9699-0056-02	2	Rosetta	Washer	Rondelle	Scheibe
15	1483-2006-01	1	Manopolina	Knob	Poignee	Griff
16	1483-2046-01	1	Rinforzo	Stiffening	Renforcement	Verstaerkung
17	1483-2041-01	1	Supporto Giallo	Support Yellow	Support Jaune	Halter Gelb
17	1483-2041-02	1	Supporto Rosso	Support Red	Support Rouge	Halter Rot
18	1483-2029-01	1	Piastra Gialla	Plate Yellow	Plaque Jaune	Platte Gelb
18	1483-2029-02	1	Piastra Rossa	Plate Red	Plaque Rouge	Platte Rot
19	9959-0820-16	4	Vite	Screw	Vis	Schraube
20	9699-0028-02	4	Rosetta	Washer	Rondelle	Scheibe
21	9747-0831-02	4	Dado	Nut	Ecrou	Mutter
22	1483-2181-01	1	Cavo Acceleratore	Throttle Cable	Cable, Accelérateur	Gashebel Kabel
23	322981740/1	1	Acceleratore	Accelerator	Accelérateur	Gas Zug
24	81007279/1	1	Leva, Acceleratore	Lever, Throttle	Levier, Accelérateur	Hebel, Beshleuniger
25	9898-0855-12	1	Vite	Screw	Vis	Schraube
26	9699-0035-02	1	Rosetta	Washer	Rondelle	Scheibe
27	12508100/0	1	Rosetta	Washer	Rondelle	Scheibe
28	22171006/0	1	Distanziale	Spacer	Entretoise	Distanzring
29	9699-0024-02	1	Rosetta	Washer	Rondelle	Scheibe
30	9799-0531-02	1	Dado	Nut	Ecrou	Mutter
31	1483-2053-01	1	Filo	Cable	Fil	Kabel
32	1483-2008-01	1	Maniglia	Handle	Poignee	Griff
33	1483-2005-01	1	Vite	Screw	Vis	Schraube
34	9699-0025-02	1	Rosetta	Washer	Rondelle	Scheibe
35	9747-0531-02	1	Dado	Nut	Ecrou	Mutter
36	1483-2021-01	1	Supporto (40R-G)	Support (40R-G)	Support (40R-G)	Halter (40R-G)
37	1483-2019-01	1	Molla (40R-G)	Spring (40R-G)	Ressort (40R-G)	Feder (40R-G)
38	1483-2051-01	1	Filo (40R-G)	Cable (40R-G)	Fil (40R-G)	Kabel (40R-G)
39	1483-2017-01	1	Leva (40R-G)	Lever (40R-G)	Levier (40R-G)	Hebel (40R-G)
40	9948-0655-16	1	Vite (40R-G)	Screw (40R-G)	Vis (40R-G)	Schraube (40R-G)
41	1483-2018-01	1	Supporto (40R-G)	Support (40R-G)	Support (40R-G)	Halter (40R-G)
42	9699-0100-02	1	Rosetta (40R-G)	Washer (40R-G)	Rondelle (40R-G)	Scheibe (40R-G)
43	9747-0631-02	1	Dado (40R-G)	Nut (40R-G)	Ecrou (40R-G)	Mutter (40R-G)





N.	CODE	Q.TY	DESCRIZIONE	DESCRIPTION	DESCRIPTION	BESCHREIBUNG
1	9997-1020-16	1	Vite	Screw	Vis	Schraube
2	9699-0105-02	1	Rosetta	Washer	Rondelle	Scheibe
3	1483-2001-01	1	Bussola	Bush	Douille	Buchse
4	1483-2020-01	1	Distanziale	Spacer	Entretoise	Distanzring
5	1483-2033-01	1	Molla	Spring	Ressort	Feder
6	1483-2076-01	1	Vite	Screw	Vis	Schraube
7	1483-2004-01	1	Puleggia	Pulley	Poulie	Riemenscheibe
8	1483-2032-01	1	Leva	Lever	Levier	Hebel
9	9747-1231-02	1	Dado	Nut	Ecrou	Mutter
10	9747-1031-02	1	Dado	Nut	Ecrou	Mutter

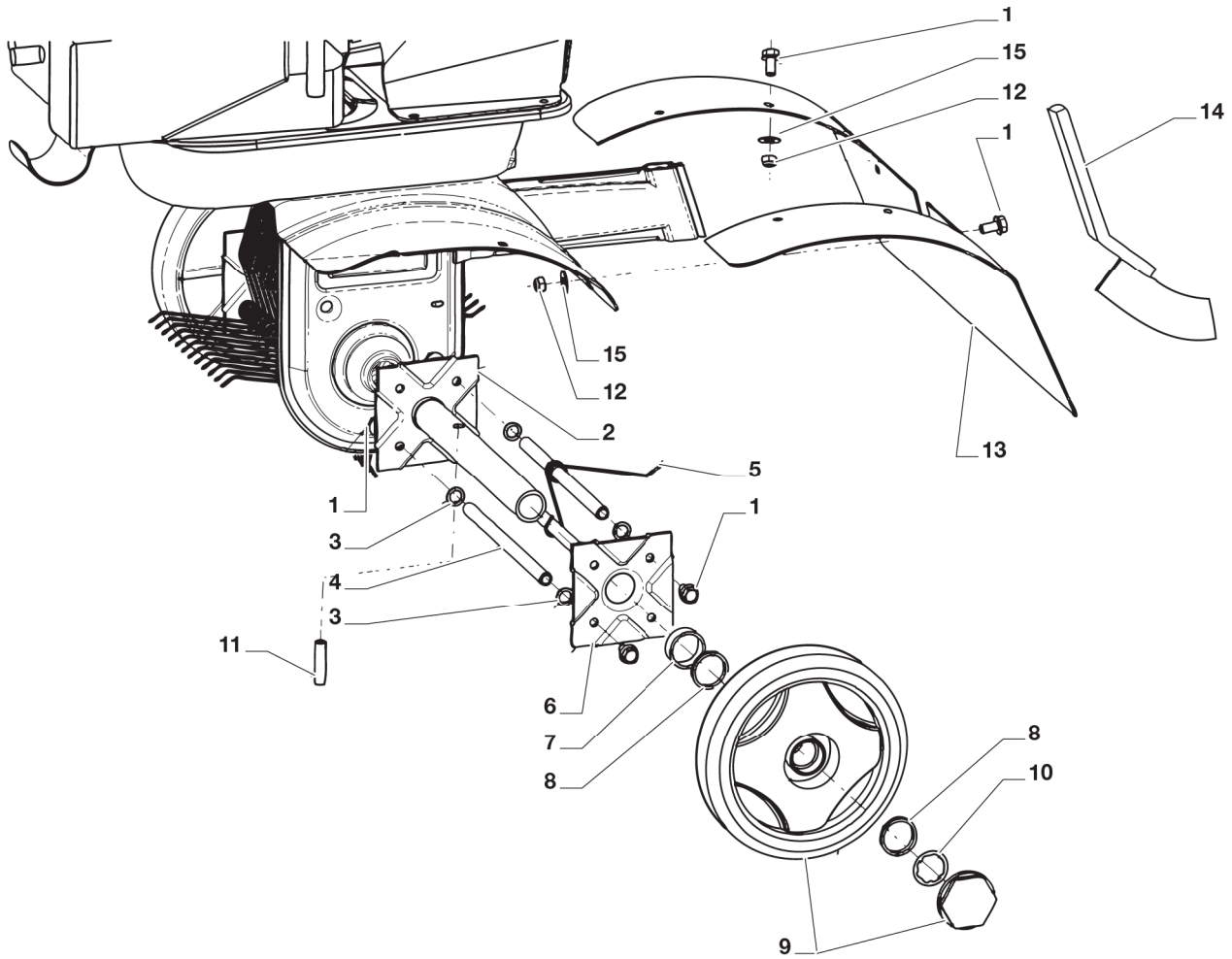




N.	CODE	Q.TY	DESCRIZIONE	DESCRIPTION	DESCRIPTION	BESCHREIBUNG
11	1483-2034-01	1	Cinghia	Belt	Courroie	Riemen
12	12139100/0	1	Chiavetta (40-G)	Key (40-G)	Clavette (40-G)	Keil (40-G)
12	1483-2140-01	1	Chiavetta (40R-G)	Key (40R-G)	Clavette (40R-G)	Keil (40R-G)
13A	1483-2028-01	1	Puleggia (40-G)	Pulley (40-G)	Poulie (40-G)	Riemenscheibe (40-G)
13B	1483-2025-01	1	Puleggia (40R-G)	Pulley (40R-G)	Poulie (40R-G)	Riemenscheibe (40R-G)
14A	1483-2027-01	1	Distanziale (40-G)	Spacer (40-G)	Entretoise (40-G)	Distanzring (40-G)
14B	9799-1231-02	1	Dado (40R-G)	Nut (40R-G)	Ecrou (40R-G)	Mutter (40R-G)
15	1483-2071-01	1	Cuscinetto	Bearing	Roulement	Kuegellager
16	1483-2065-01	1	Puleggia	Pulley	Poulie	Riemenscheibe
17	9699-0035-02	1	Rosetta	Washer	Rondelle	Scheibe
18	9987-5225-16	1	Vite	Screw	Vis	Schraube
19	1483-2038-01	1	Carter Trasmissione Giallo	Transm.housing-yellow	Carter Transmission Jaune	Antriebsblech Gelb
19	1483-2038-02	1	Carter Trasmissione Rosso	Transm.housing-red	Carter Transmission Rouge	Antriebsblech Rot
20	9747-0831-02	1	Dado	Nut	Ecrou	Mutter
21	9699-0028-02	1	Rosetta	Washer	Rondelle	Scheibe
22	1482-2139-01	1	Supporto	Support	Support	Halter
23	9699-0028-02	1	Rosetta	Washer	Rondelle	Scheibe
24	9997-0835-12	1	Vite (40-G) L=35 mm	Screw (40-G) L=35 mm	Vis (40-G) L=35 mm	Schraube (40-G) L=35 mm
24	9997-0840-16	1	Vite (40R-G) L=40 mm	Screw (40R-G) L=40 mm	Vis (40R-G) L=40 mm	Schraube (40R-G) L=40 mm
25	9959-0816-16	4	Vite	Screw	Vis	Schraube
26	1483-2011-01	1	Vite Senza Fine	Endless screw	Vis Sans Fin	Endlosschraube
27	1483-2055-01	1	Ass. Fresa Destra	Right Tine Assy	Ens. Dent Droite	Rechte Zinke Komplet
28	1483-2037-01	1	Carter Trasmissione Giallo	Transm.housing-yellow	Carter Transmission Jaune	Antriebsblech Gelb
28	1483-2037-02	1	Carter Trasmissione Rosso	Transm.housing-red	Carter Transmission Rouge	Antriebsblech Rot
29	1483-2014-01	8	Fresa Sinistra	Left Tine	Dent Gauche	Linke Zinke
30	1483-2013-01	8	Fresa Destra	Right Tine	Dent Droite	Rechte Zinke
31	1483-2075-01	1	Tappo	Cap	Bouchon	Gummistopfen
32	9997-0835-12	2	Vite	Screw	Vis	Schraube
33	9747-0831-02	2	Dado	Nut	Ecrou	Mutter
34	1483-2069-01	2	Guarnizione	Oil Seal	Garniture	Dichtung
35	1483-2012-01	2	Disco Parapolvere	Dust Cover	Protege-Poussiere	Staubschuttscheibe
36	1483-2054-01	1	Ass. Fresa Sinistra	Left Tine Assy	Ens. Dent Gauche	Linke Zinke Komplet
37	1483-2015-01	2	Tappo	Cap	Bouchon	Gummistopfen
38	9997-0820-16	1	Vite	Screw	Vis	Schraube
39	1483-2045-01	1	Manopolina	Knob	Poignee	Griff
40	9747-0831-02	1	Dado	Nut	Ecrou	Mutter
41	1483-2063-01	1	Leva	Lever	Levier	Hebel
42	1483-2077-01	1	Vite	Screw	Vis	Schraube
43	1483-2056-01	1	Supporto	Support	Support	Halter
44	1483-2058-01	2	Ruotino	Wheel	Roulettes	Raedchen
45	1483-2057-01	1	Asse Ruote	Axle, Wheels	Axe Roues	Achse, rad
46	1483-2074-01	2	Fissatore	Fastener	Fixateur	Kronescheibe
47	1483-2036-01	1	Cinghia (40R-G)	Belt (40R-G)	Courroie (40R-G)	Keilriemen (40R-G)
48	9799-1031-02	1	Dado (40R-G)	Nut (40R-G)	Ecrou (40R-G)	Mutter (40R-G)
49	9699-0035-02	1	Rosetta (40R-G)	Washer (40R-G)	Rondelle (40R-G)	Scheibe (40R-G)
50	1483-2031-01	1	Leva (40R-G)	Lever (40R-G)	Levier (40R-G)	Hebel (40R-G)
51	9699-0035-02	1	Rosetta (40R-G)	Washer (40R-G)	Rondelle (40R-G)	Scheibe (40R-G)
52	9599-0052-02	1	Coppiglia (40R-G)	Cotter Pin (40R-G)	Goupille (40R-G)	Split (40R-G)
53	9699-0035-02	1	Rosetta (40R-G)	Washer (40R-G)	Rondelle (40R-G)	Scheibe (40R-G)
54	1483-2003-01	1	Rullino (40R-G)	Roll (40R-G)	Rouleau (40R-G)	Walze (40R-G)
55	1483-2030-01	1	Protezione (40R-G)	Guard (40R-G)	Protection (40R-G)	Schutz (40R-G)
56	9997-1025-16	1	Vite (40R-G)	Screw (40R-G)	Vis (40R-G)	Schraube (40R-G)

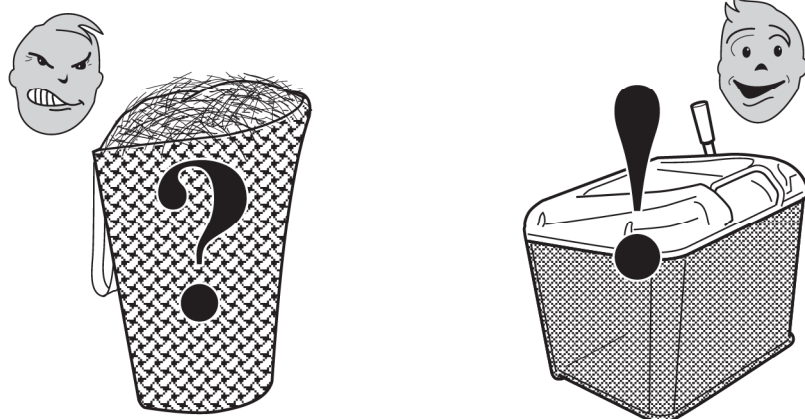


360 G	500-G	40-G	50-G	75-G	82 R-HX	87 B	2009	
	500 R-G	40 R-G	50-H	75 R-B			TABLE 3	1203.0
			50 R-B	75 R-H			TABLEAU 3	1 / 1
							TAFEL 3	



N.	CODE	Q.TY	DESCRIZIONE	DESCRIPTION	DESCRIPTION	BESCHREIBUNG
1	9959-0816-16	22	Vite	Screw	Vis	Schraube
2	1483-2304-01	2	Staffa	Clamp	Etrier	Bride
3	9699-0121-02	16	Rosetta	Washer	Rondelle	Scheibe
4	1483-2305-01	8	Albero	Shaft	Arbre	Welle
5	1483-2307-01	96	Molla	Spring	Ressort	Feder
6	1483-2300-01	2	Flangia	Flange	Bride	Flansch
7	1483-2306-01	2	Distanziale	Spacer	Entretoise	Distanzring
8	1483-2297-01	4	Distanziale	Spacer	Entretoise	Distanzring
9	1483-2308-01	2	Ruota	Wheel	Roue	Rad
10	1483-2322-01	2	Fissatore A Corona	Crown Fastener	Fixateur A Couronne	Kronescheibe
11	1483-2323-01	2	Spina	Pin	Goupille	Stift
12	9747-0831-02	6	Dado	Nut	Ecrou	Mutter
13	1483-2321-01	1	Copertura	Cover	Couvre	Kappe
14	1483-2319-01	1	Asta	Rod	Barre	Stange
15	9699-0028-02	6	Rosetta	Washer	Rondelle	Scheibe





USARE SOLO RICAMBI ORIGINALI!
USE ONLY GENUINE SPARE PARTS!
UTILISER DES PIÈCES DE RECHANGE D'ORIGINE!
NUR ORIGINALERSATZTEILE VERWENDEN!