

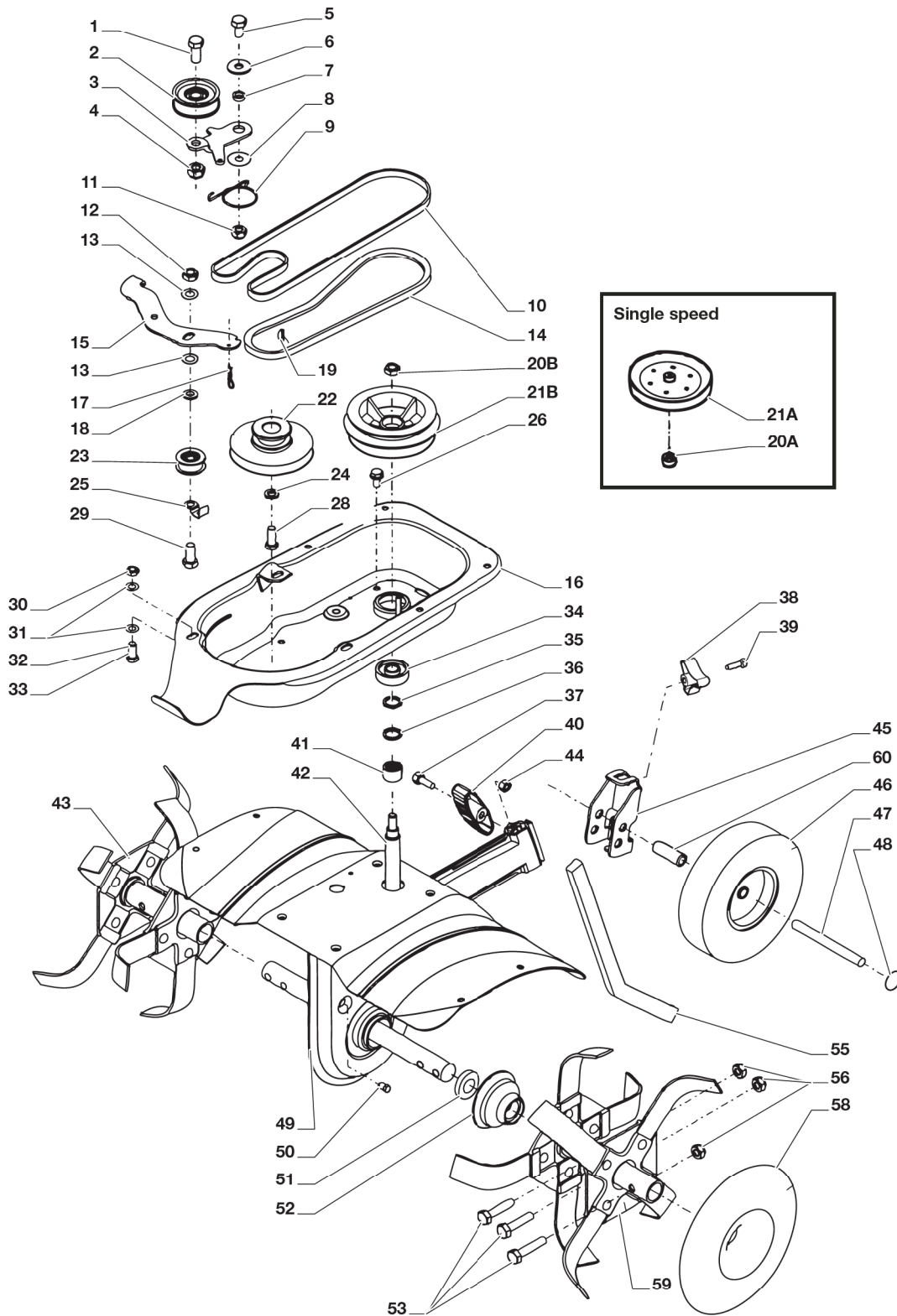
N.	CODE	Q.TY	DESCRIZIONE	DESCRIPTION	DESCRIPTION	BESCHREIBUNG
1	1483-2182-01	1	Mascherina, Gialla	Mask, Yellow	Mesque, Jaune	Maske, Gelb
1	1483-2182-02	1	Mascherina, Rossa	Mask, Red	Mesque, Rouge	Maske, Rot
2	1483-2005-01	1	Vite	Screw	Vis	Schraube
3	1483-2008-01	1	Maniglia	Handle	Poignee	Griff
4	9948-0655-16	1	Vite (50R-B)	Screw (50R-B)	Vis (50R-B)	Schraube (50R-B)
5	9747-0531-02	1	Dado	Nut	Ecrou	Mutter
6	1483-2018-01	1	Supporto (50R-B)	Support (50R-B)	Support (50R-B)	l alter (50R-B)
7	1483-2017-01	1	Leva (50R-B)	Lever (50R-B)	Levier (50R-B)	Hebel (50R-B)
8	9699-0100-02	1	Rosetta (50R-B)	Washer (50R-B)	Rondelle (50R-B)	Scheibe (50R-B)
9	9747-0631-02	1	Dado (50R-B)	Nut (50R-B)	Ecrou (50R-B)	Mutter (50R-B)





N.	CODE	Q.TY	DESCRIZIONE	DESCRIPTION	DESCRIPTION	BESCHREIBUNG
10	9898-0855-12	1	Vite	Screw	Vis	Schraube
11	1483-2053-01	1	Filo	Cable	Fil	Kabel
12	1483-2178-01	1	Manico (50R-B)	Handle (50R-B)	Mancheron (50R-B)	Holm (50R-B)
12	1483-2179-01	1	Manico (50-G / 50-H)	Handle (50-G / 50-H)	Mancheron (50-G / 50-H)	Holm (50-G / 50-H)
13	9699-0025-02	1	Rosetta	Washer	Rondelle	Scheibe
14	81007279/1	1	Leva, Acceleratore	Lever, Throttle	Levier, Accelérateur	Hebel, Beschleuniger
15	322981740/1	1	Acceleratore	Accelerator	Accelérateur	Gas Zug
16	12508100/0	1	Rosetta	Washer	Rondelle	Scheibe
17	22171006/0	1	Distanziale	Spacer	Entretoise	Distanzring
18	1483-2177-01	1	Manico	Handle	Mancheron	Holm
19	9747-0631-02	2	Dado	Nut	Ecrou	Mutter
20	1483-2180-01	1	Staffa	Bracket	Support	Schelle
21	9699-0122-02	2	Rosetta	Washer	Rondelle	Scheibe
22	9997-0635-12	2	Vite	Screw	Vis	Schraube
23	9699-0035-02	1	Rosetta	Washer	Rondelle	Scheibe
24	1483-2079-01	2	Impugnatura	Handgrip	Poignée	Handgriff
25	9699-0024-02	1	Rosetta	Washer	Rondelle	Scheibe
26	9799-0531-02	1	Dado	Nut	Ecrou	Mutter
27	1483-2006-01	1	Manopolina	Knob	Poignée	Griff
28	9747-0831-02	5	Dado	Nut	Ecrou	Mutter
29	1483-2200-01	2	Vite	Screw	Vis	Schraube
30	9699-0056-02	2	Rosetta	Washer	Rondelle	Scheibe
31	1483-2051-01	1	Filo (50R-B)	Cable (50R-B)	Fil (50R-B)	Kabel (50R-B)
32	1483-2019-01	1	Molla (50R-B)	Spring (50R-B)	Ressort (50R-B)	Feder (50R-B)
33	1483-2046-01	1	Rinforzo	Stiffening	Renforcement	Verstaerkung
36	9997-0813-02	1	Vite	Screw	Vis	Schraube
37	9997-0812-02	1	Vite	Screw	Vis	Schraube
38	1483-2045-01	1	Manopolina	Knob	Poignée	Griff
39	1483-2181-01	1	Cavo Acceleratore	Throttle Cable	Cable, Accelérateur	Gashebel Kabel
40	1483-2042-01	1	Supporto Giallo	Support Yellow	Support Jaune	Halter Gelb
40	1483-2042-02	1	Supporto Rosso	Support Red	Support Rouge	Halter Rot
41	1483-2073-01	3	Rosetta	Washer	Rondelle	Scheibe
42	9959-0820-16	4	Vite	Screw	Vis	Schraube
43	1483-2044-01	1	Leva	Lever	Levier	Hebel
44	1483-2043-01	1	Piastra Gialla	Plate Yellow	Plaque Jaune	Platte Gelb
44	1483-2043-02	1	Piastra Rossa	Plate Red	Plaque Rouge	Platte Rot
45	9699-0121-02	1	Rosetta	Washer	Rondelle	Scheibe
46	9747-1231-02	1	Dado	Nut	Ecrou	Mutter
47	9699-0028-02	4	Rosetta	Washer	Rondelle	Scheibe
49	1483-2021-01	1	Supporto (50R-B)	Support (50R-B)	Support (50R-B)	Halter (50R-B)
50	1483-2029-01	1	Piastra Gialla	Plate Yellow	Plaque Jaune	Platte Gelb
50	1483-2029-02	1	Piastra Rossa	Plate Red	Plaque Rouge	Platte Rot





N.	CODE	Q.TY	DESCRIZIONE	DESCRIPTION	DESCRIPTION	BESCHREIBUNG
----	------	------	-------------	-------------	-------------	--------------

1	1483-2076-01	1	Vite	Screw	Vis	Schraube
2	1483-2004-01	1	Puleggia	Pulley	Poulie	Riemscheibe
3	1483-2032-01	1	Leva	Lever	Levier	Hebel
4	9747-1231-02	1	Dado	Nut	Ecrou	Mutter
5	9997-1020-16	1	Vite	Screw	Vis	Schraube
6	9699-0105-02	1	Rosetta	Washer	Rondelle	Scheibe
7	1483-2001-01	1	Bussola	Bush	Douille	Buchse
8	1483-2020-01	1	Distanziale	Spacer	Entretoise	Distanzring
9	1483-2033-01	1	Molla	Spring	Ressort	Feder
10	1483-2036-01	1	Cinghia (50R-B)	Belt (50R-B)	Courroie (50R-B)	Riemen (50R-B)

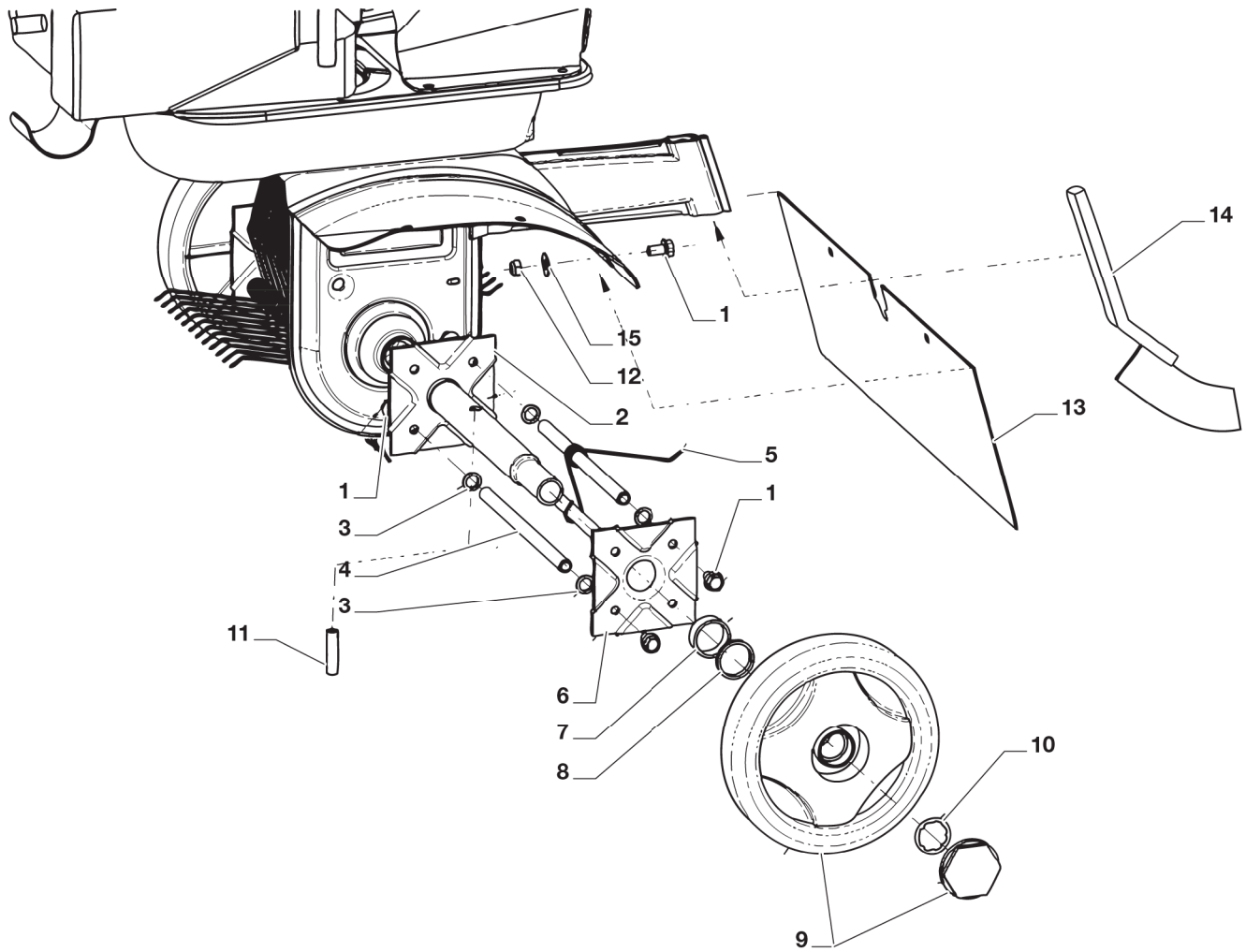




N.	CODE	Q.TY	DESCRIZIONE	DESCRIPTION	DESCRIPTION	BESCHREIBUNG
11	9747-1031-02	1	Dado	Nut	Ecrou	Mutter
12	9799-1031-02	2	Dado (50R-B)	Nut (50R-B)	Ecrou (50R-B)	Mutter (50R-B)
13	9699-0035-02	2	Rosetta (50R-B)	Washer (50R-B)	Rondelle (50R-B)	Scheibe (50R-B)
14	1483-2035-01	1	Cinghia	Belt	Courroie	Riemen
15	1483-2031-01	1	Leva (50R-B)	Lever (50R-B)	Levier (50R-B)	Hebel (50R-B)
16	1483-2040-01	1	Carter Trasmissione Giallo	Transm.housing-yellow	Carter Transmission Jaune	Antriebsblech Gelb
16	1483-2040-02	1	Carter Trasmissione Rosso	Transm.housing-red	Carter Transmission Rouge	Antriebsblech Rot
17	9599-0052-02	1	Perno (50R-B)	Pin (50R-B)	Pivot (50R-B)	Bolzen (50R-B)
18	9699-0035-02	2	Rosetta (50R-B)	Washer (50R-B)	Rondelle (50R-B)	Scheibe (50R-B)
19	12139100/0	1	Chiavetta	Key	Clavette	Keil
20A	1483-2027-01	1	Distanziale (50-G / 50-H)	Spacer (50-G / 50-H)	Entretoise (50-G / 50-H)	Distanzring (50-G / 50-H)
20B	9799-1231-02	1	Dado (50R-B)	Nut (50R-B)	Ecrou (50R-B)	Mutter (50R-B)
21A	1483-2028-01	1	Puleggia (50-G / 50-H)	Pulley (50-G / 50-H)	Poulie (50-G / 50-H)	Riemenscheibe (50-G / 50-H)
21B	1483-2025-01	1	Puleggia (50R-B)	Pulley (50R-B)	Poulie (50R-B)	Riemenscheibe (50R-B)
22	1483-2002-01	1	Puleggia	Pulley	Poulie	Riemenscheibe
23	1483-2003-01	2	Rullino (50R-B)	Roll (50R-B)	Rouleau (50R-B)	Walze (50R-B)
24	9699-0035-02	1	Rosetta	Washer	Rondelle	Scheibe
25	1483-2030-01	1	Guidacinghia (50R-B)	Belt Guide (50R-B)	Guide De Courroie (50R-B)	Riemenfuhrun (50R-B)
26	9959-0816-16	4	Vite	Screw	Vis	Schraube
28	9987-5225-16	1	Vite	Screw	Vis	Schraube
29	9997-1025-16	2	Vite (50R-B)	Screw (50R-B)	Vis (50R-B)	Schraube (50R-B)
30	9747-0831-02	4	Dado	Nut	Ecrou	Mutter
31	9699-0028-02	6	Rosetta	Washer	Rondelle	Scheibe
32	9997-0835-12	1	Vite L=35 mm (50-H / 50R-B)	Screw L=35 mm (50-H / 50R-B)	Vis L=35 mm (50-H / 50R-B)	Schraube L=35 mm (50-H / 50R-B)
32	9997-0840-16	3	Vite L=40 mm (50-G)	Screw L=40 mm (50-G)	Vis L=40 mm (50-G)	Schraube L=40 mm (50-G)
33	9997-0860-16	2	Vite L=60 mm (50R-B)	Screw L=60 mm (50R-B)	Vis L=60 mm (50R-B)	Schraube L=60 mm (50R-B)
34	1483-2071-01	1	Cuscinetto	Bearing	Roulement	Kuegellager
35	1483-2068-01	1	Seeger	Seeger	Seeger	Seeger
36	1483-2000-01	1	Distanziale	Spacer	Entretoise	Distanzring
37	9997-0820-16	1	Vite	Screw	Vis	Schraube
38	1483-2060-01	1	Manopolina	Knob	Poignee	Griff
39	9997-0825-16	1	Vite	Screw	Vis	Schraube
40	1483-2045-01	1	Manopolina	Knob	Poignee	Griff
41	1483-2072-01	1	Gabbia A Rulli	Needle Bearing	Cage À Roulements	Walzenkäfig
42	1483-2026-01	1	Vite Senza Fine	Endless screw	Vis Sans Fin	Endlosschraube
43	1483-2023-01	1	Ass. Fresa Destra	Right Tine Assy	Ens. Dent Droite	Rechte Zinke Komplet
44	9747-0831-02	1	Dado	Nut	Ecrou	Mutter
45	1483-2056-01	1	Supporto	Support	Support	Halter
46	1483-2061-01	2	Ruotino	Wheel	Roulettes	Raedchen
47	1483-2059-01	1	Asse Ruote	Axle, Wheels	Axe Roues	Achse, rad
48	1483-2074-01	2	Fissatore	Fastener	Fixateur	Kronescheibe
49	1483-2039-01	1	Carter Trasmissione Giallo	Transm.housing-yellow	Carter Transmission Jaune	Antriebsblech Gelb
49	1483-2039-02	1	Carter Trasmissione Rosso	Transm.housing-red	Carter Transmission Rouge	Antriebsblech Rot
50	1483-2075-01	1	Tappo	Cap	Bouchon	Gummistopfen
51	1483-2070-01	2	Guarnizione	Oil Seal	Garniture	Dichtung
52	1483-2010-01	2	Disco Parapolvere	Dust Cover	Protege-Poussiere	Staubschutscheibe
53	9997-1050-16	6	Vite	Screw	Vis	Schraube
55	1483-2064-01	1	Leva	Lever	Levier	Hebel
56	9747-1031-02	6	Dado	Nut	Ecrou	Mutter
58	1483-2022-01	2	Disco	Disc	Disque	Scheibe
59	1483-2024-01	1	Ass. Fresa Sinistra	Left Tine Assy	Ens. Dent Gauche	Linke Zinke Komplet
60	1483-2062-01	2	Distanziale	Spacer	Entretoise	Distanzring

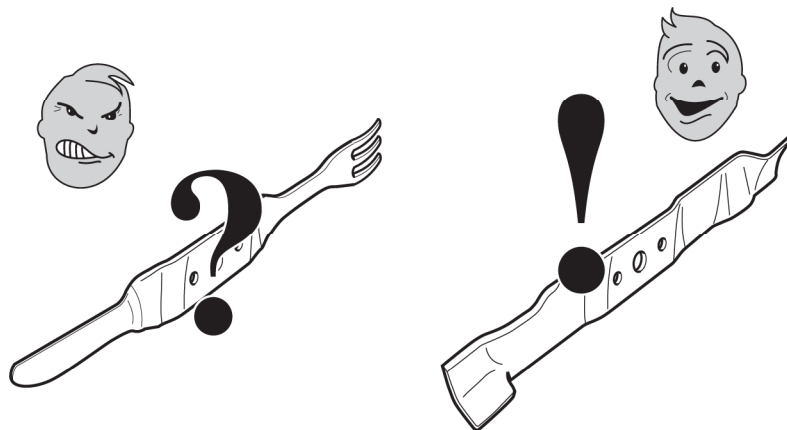


360 G	500-G	40-G	50-G	75-G	82 R-HX	87 B	2009
	500 R-G	40 R-G	50-H	75 R-B			1303.0
			50 R-B	75 R-H			1 / 1
							TAVOLA 3 TABLE 3 TABLEAU 3 TAFEL 3



N.	CODE	Q.TY	DESCRIZIONE	DESCRIPTION	DESCRIPTION	BESCHREIBUNG
1	9959-0816-16	18	Vite	Screw	Vis	Schraube
2	1483-2309-01	2	Staffa	Clamp	Etrier	Bride
3	9699-0121-02	16	Rosetta	Washer	Rondelle	Scheibe
4	1483-2305-01	8	Albero	Shaft	Arbre	Welle
5	1483-2307-01	96	Molla	Spring	Ressort	Feder
6	1483-2301-01	2	Flangia	Flange	Bride	Flansch
7	1483-2310-01	2	Distanziale	Spacer	Entretoise	Distanzring
8	1483-2285-01	2	Distanziale	Spacer	Entretoise	Distanzring
9	1483-2308-01	2	Ruota	Wheel	Roue	Rad
10	1483-2322-01	2	Fissatore A Corona	Crown Fastener	Fixateur A Couronne	Kronescheibe
11	1483-2324-01	2	Spina	Pin	Goupille	Stift
12	9747-0831-02	2	Dado	Nut	Ecrou	Mutter
13	1483-2320-01	1	Copertura	Cover	Couvre	Kappe
14	1483-2319-01	1	Asta	Rod	Barre	Stange
15	9699-0028-02	2	Rosetta	Washer	Rondelle	Scheibe





USARE SOLO RICAMBI ORIGINALI!
USE ONLY GENUINE SPARE PARTS!
UTILISER DES PIÈCES DE RECHANGE D'ORIGINE!
NUR ORIGINALERSATZTEILE VERWENDEN!