

N.	CODE	Q.TY	DESCRIZIONE	DESCRIPTION	DESCRIPTION	BESCHREIBUNG
----	------	------	-------------	-------------	-------------	--------------

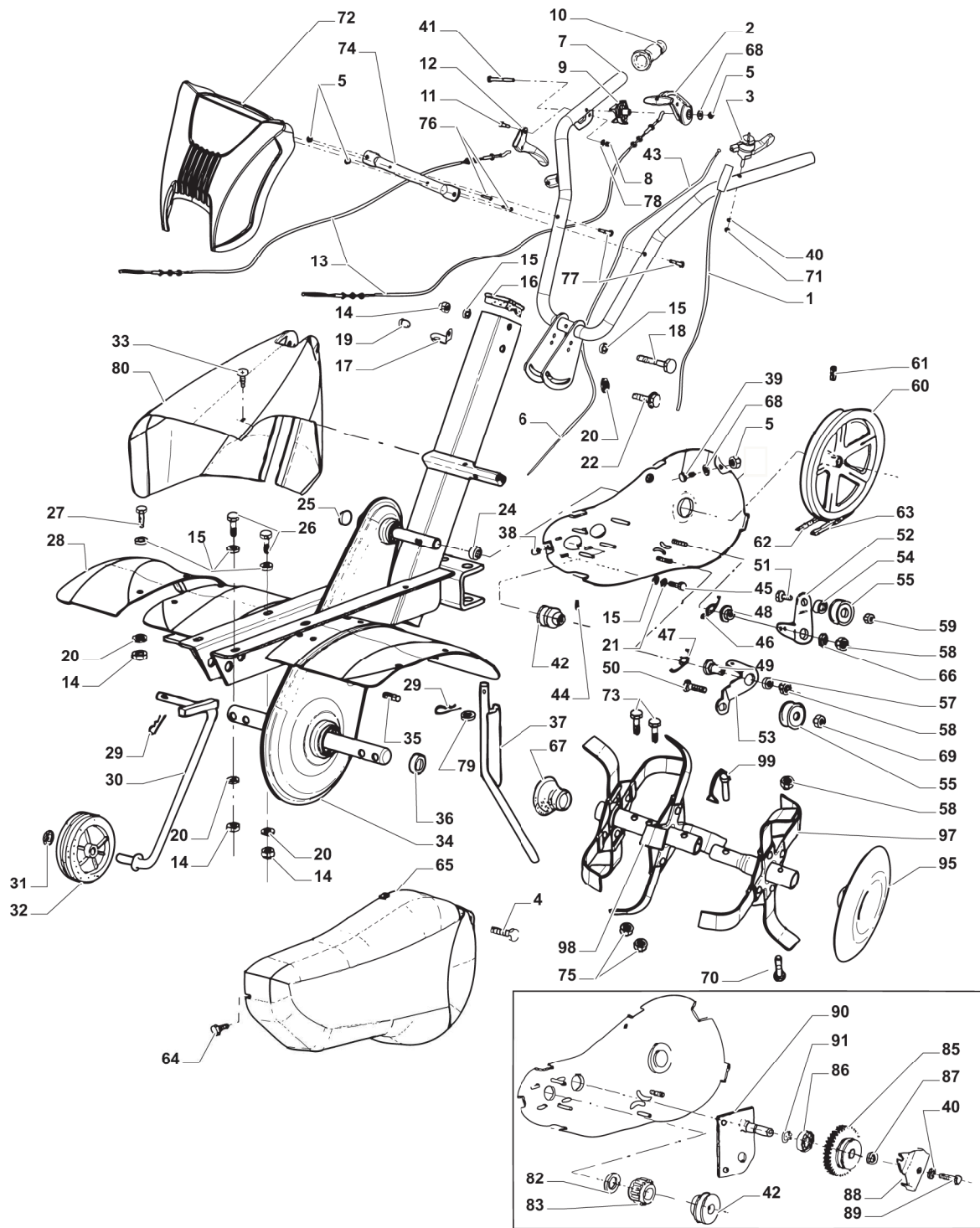
1	9898-0855-12	1	Vite	Screw	Vis	Schraube
2	1483-2017-01	1	Leva (75R-B / 75R-H)	Lever (75R-B / 75R-H)	Levier (75R-B / 75R-H)	Hebel (75R-B / 75R-H)
3	81007279/1	1	Leva, Acceleratore	Lever, Throttle	Levier, Accelérateur	Hebel, Beschleuniger
4	9959-0616-16	1	Vite	Screw	Vis	Schraube
5	9747-0631-02	4	Dado	Nut	Ecrou	Mutter
6	1483-2165-01	1	Cavo Acceleratore (75R-B)	Throttle Cable (75R-B)	Cable, Accelérateur (75R-B)	Gashebel Kabel (75R-B)
6	1483-2181-01	1	Cavo Acceleratore (75-G)	Throttle Cable (75-G)	Cable, Accelérateur (75-G)	Gashebel Kabel (75-G)
6	1483-2311-01	1	Cavo Acceleratore (75R-H)	Throttle Cable (75R-H)	Cable, Accelérateur (75R-H)	Gashebel Kabel (75R-H)
7	1483-2163-01	1	Manico (75R-B / 75R-H)	Handle (75R-B / 75R-H)	Mancheron (75R-B / 75R-H)	Holm (75R-B / 75R-H)
7	1483-2164-01	1	Manico (75-G)	Handle (75-G)	Mancheron (75-G)	Holm (75-G)
8	9747-0531-02	1	Dado	Nut	Ecrou	Mutter
9	1483-2018-01	1	Supporto (75R-B / 75R-H)	Support (75R-B / 75R-H)	Support (75R-B / 75R-H)	Halter (75R-B / 75R-H)
10	1483-2079-01	2	Impugnatura	Handgrip	Poignée	Handgriff
11	1483-2005-01	1	Vite	Screw	Vis	Schraube
12	1483-2008-01	1	Maniglia	Handle	Poignée	Griff
13	1483-2162-01	1	Filo (75-G)	Cable (75-G)	Fil (75-G)	Kabel (75-G)
13	1483-2162-01	2	Filo (75R-B / 75R-H)	Cable (75R-B / 75R-H)	Fil (75R-B / 75R-H)	Kabel (75R-B / 75R-H)





N.	CODE	Q.TY	DESCRIZIONE	DESCRIPTION	DESCRIPTION	BESCHREIBUNG
14	9747-0831-02	9	Dado	Nut	Ecrou	Mutter
15	9699-0028-02	16	Rosetta	Washer	Rondelle	Scheibe
16	1483-2166-01	1	Tappo	Cap	Bouchon	Gummistopfen
17	1483-2021-01	1	Supporto	Support	Support	Halter
18	9997-0865-12	1	Vite	Screw	Vis	Schraube
19	1483-2191-01	2	Dado	Nut	Ecrou	Mutter
20	9699-0122-02	9	Rosetta	Washer	Rondelle	Scheibe
21	9699-0028-02	4	Rosetta	Washer	Rondelle	Scheibe
22	9959-0825-16	2	Vite	Screw	Vis	Schraube
24	1483-2187-01	1	Guarnizione	Oil Seal	Garniture	Dichtung
25	1483-2186-01	1	Tappo	Cap	Bouchon	Gummistopfen
26	9997-0840-16	4	Vite	Screw	Vis	Schraube
27	9997-0820-16	4	Vite	Screw	Vis	Schraube
28	1483-2171-01	1	Piastra Destra Gialla	Plate, Right Yellow	Plaque Droite Jaune	Platte, Rechte Gelb
28	1483-2171-02	1	Piastra Destra Rossa	Plate, Right Red	Plaque Droite Rouge	Platte, Rechte Rot
28	1483-2172-01	1	Piastra Sinistra Gialla	Plate, Left Yellow	Plaque Gauche Jaune	Platte, Linke Gelb
28	1483-2172-02	1	Piastra Sinistra Rossa	Plate, Left Red	Plaque Gauche Rouge	Platte, Linke Rot
29	9598-0002-02	2	Coppiglia	Cotter Pin	Goupille	Split
30	1483-2168-01	1	Supporto	Support	Support	Halter
31	1483-2195-01	1	Anello Elastico	Snap Ring	Anneau Ressort	Sprengring
32	1483-2112-01	1	Ruotino	Wheel	Roulettes	Raedchen
33	9943-0625-16	1	Vite	Screw	Vis	Schraube
34	1483-2156-01	1	Carter Trasmissione Giallo	Transm.housing-yellow	Carter Transmission Jaune	Antriebsblech Gelb
34	1483-2156-02	1	Carter Trasmissione Rosso	Transm.housing-red	Carter Transmission Rouge	Antriebsblech Rot
35	1483-2075-01	1	Tappo	Cap	Bouchon	Gummistopfen
36	1483-2070-01	2	Guarnizione	Oil Seal	Garniture	Dichtung
37	1483-2167-01	1	Leva	Lever	Levier	Hebel
38	1483-2190-01	1	Dado	Nut	Ecrou	Mutter
39	9997-0616-16	1	Vite	Screw	Vis	Schraube
40	9683-0025-02	1	Rosetta (75R-B / 75R-H)	Washer (75R-B / 75R-H)	Rondelle (75R-B / 75R-H)	Scheibe (75R-B / 75R-H)
41	9997-0660-12	1	Vite (75R-B / 75R-H)	Screw (75R-B / 75R-H)	Vis (75R-B / 75R-H)	Schraube (75R-B / 75R-H)
42	1483-2174-01	1	Puleggia	Pulley	Poulie	Riemenscheibe
43	322981740/1	1	Acceleratore	Accelerator	Accelérateur	Gas Zug
44	9915-0610-15	1	Vite	Screw	Vis	Schraube
45	9987-5116-16	4	Vite (75R-B / 75R-H)	Screw (75R-B / 75R-H)	Vis (75R-B / 75R-H)	Schraube (75R-B / 75R-H)
46	1483-2158-01	1	Molla (75R-B / 75R-H)	Spring (75R-B / 75R-H)	Ressort (75R-B / 75R-H)	Feder (75R-B / 75R-H)
47	1483-2157-01	1	Molla	Spring	Ressort	Feder
48	1483-2153-01	1	Distanziale (75R-B / 75R-H)	Spacer (75R-B / 75R-H)	Entretoise (75R-B / 75R-H)	Distanzring (75R-B / 75R-H)
49	1483-2152-01	1	Distanziale	Spacer	Entretoise	Distanzring
50	1483-2076-01	1	Vite	Screw	Vis	Schraube
51	9997-1235-16	1	Vite (75R-B / 75R-H)	Screw (75R-B / 75R-H)	Vis (75R-B / 75R-H)	Schraube (75R-B / 75R-H)
52	1483-2154-01	1	Leva (75R-B / 75R-H)	Lever (75R-B / 75R-H)	Levier (75R-B / 75R-H)	Hebel (75R-B / 75R-H)
53	1483-2155-01	1	Leva	Lever	Levier	Hebel
54	1483-2151-01	1	Distanziale (75R-B / 75R-H)	Spacer (75R-B / 75R-H)	Entretoise (75R-B / 75R-H)	Distanzring (75R-B / 75R-H)
55	1483-2004-01	1	Puleggia	Pulley	Poulie	Riemenscheibe
56	22171006/0	1	Distanziale	Spacer	Entretoise	Distanzring
57	9699-0035-02	2	Rosetta	Washer	Rondelle	Scheibe
58	9747-1031-02	4	Dado	Nut	Ecrou	Mutter
59	9747-1231-02	1	Dado (75R-B / 75R-H)	Nut (75R-B / 75R-H)	Ecrou (75R-B / 75R-H)	Mutter (75R-B / 75R-H)
60	1483-2150-01	1	Puleggia	Pulley	Poulie	Riemenscheibe
61	9595-0277-01	1	Perno	Pin	Pivot	Bolzen
62	1483-2141-01	1	Cinghia (75R-B / 75R-H)	Belt (75R-B / 75R-H)	Courroie (75R-B / 75R-H)	Riemen (75R-B / 75R-H)
63	1483-2149-01	1	Cinghia	Belt	Courroie	Riemen
64	9959-0616-16	1	Vite	Screw	Vis	Schraube
65	1483-2159-01	1	Protezione	Guard	Protection	Schutz
66	1483-2020-01	1	Distanziale (75R-B / 75R-H)	Spacer (75R-B / 75R-H)	Entretoise (75R-B / 75R-H)	Distanzring (75R-B / 75R-H)
67	1483-2173-01	2	Disco Parapolvere	Dust Cover	Protege-Poussiere	Staubschuttscheibe
68	9699-0100-02	2	Rosetta	Washer	Rondelle	Scheibe
69	1483-2193-01	1	Dado	Nut	Ecrou	Mutter
70	9997-1050-16	2	Vite	Screw	Vis	Schraube
71	9699-0024-02	1	Rosetta	Washer	Rondelle	Scheibe
72	9799-0531-02	1	Dado	Nut	Ecrou	Mutter
73	12508100/0	1	Rosetta	Washer	Rondelle	Scheibe
75	1483-2182-01	1	Mascherina, Gialla	Mask, Yellow	Mesque, Jaune	Maske, Gelb
75	1483-2182-02	1	Mascherina, Rossa	Mask, Red	Mesque, Rouge	Maske, Rot
76	1483-2180-01	1	Staffa	Bracket	Support	Schelle
77	1483-2200-01	2	Vite	Screw	Vis	Schraube
78	9699-0025-02	1	Rosetta	Washer	Rondelle	Scheibe
79	9699-0104-02	1	Rosetta	Washer	Rondelle	Scheibe
80	1483-2160-01	1	Copertura Gialla (75-G / 75R-H)	Cover Yellow (75-G / 75R-H)	Couvre Jaune (75-G / 75R-H)	Kappe Gelb (75-G / 75R-H)
80	1483-2160-02	1	Copertura Rossa (75-G / 75R-H)	Cover Red (75-G / 75R-H)	Couvre Rouge (75-G / 75R-H)	Kappe Rot (75-G / 75R-H)
80	1483-2161-01	1	Copertura Gialla (75R-B)	Cover Yellow (75R-B)	Couvre Jaune (75R-B)	Kappe Gelb (75R-B)
80	1483-2161-02	1	Copertura Rossa (75R-B)	Cover Red (75R-B)	Couvre Rouge (75R-B)	Kappe Rot (75R-B)
82	1483-2117-01	1	Distanziale (75R-B / 75R-H)	Spacer (75R-B / 75R-H)	Entretoise (75R-B / 75R-H)	Distanzring (75R-B / 75R-H)
83	1483-2176-01	1	Ruota Dentata (75R-B / 75R-H)	Sprocket (75R-B / 75R-H)	Couronne (75R-B / 75R-H)	Zahnkettensrad (75R-B / 75R-H)
84	9997-0635-12	2	Vite	Screw	Vis	Schraube
85	1483-2175-01	1	Ruota Dentata (75R-B / 75R-H)	Sprocket (75R-B / 75R-H)	Couronne (75R-B / 75R-H)	Zahnkettensrad (75R-B / 75R-H)
86	9549-0001-00	1	Cuscinetto (75R-B / 75R-H)	Bearing (75R-B / 75R-H)	Roulement (75R-B / 75R-H)	Kuegellager (75R-B / 75R-H)
87	1483-2145-01	1	Distanziale (75R-B / 75R-H)	Spacer (75R-B / 75R-H)	Entretoise (75R-B / 75R-H)	Distanzring (75R-B / 75R-H)
88	1483-2147-01	1	Squadrella (75R-B / 75R-H)	Bracket (75R-B / 75R-H)	Equerre-Support (75R-B / 75R-H)	Winkel (75R-B / 75R-H)
89	9997-0612-16	1	Vite (75R-B / 75R-H)	Screw (75R-B / 75R-H)	Vis (75R-B / 75R-H)	Schraube (75R-B / 75R-H)
90	1483-2146-01	1	Piastrina (75R-B / 75R-H)	Plate (75R-B / 75R-H)	Plaque (75R-B / 75R-H)	Platte (75R-B / 75R-H)
91	9650-0012-04	1	Anello Seeger (75R-B / 75R-H)	Ring (75R-B / 75R-H)	Circlip (75R-B / 75R-H)	Ring (75R-B / 75R-H)
95	1483-2022-01	2	Disco	Disc	Disque	Scheibe
97	1483-2169-01	1	Ass. Fresa Destra	Right Tine Assy	Ens. Dent Droite	Rechte Zinke Komplett
97	1483-2170-01	1	Ass. Fresa Sinistra	Left Tine Assy	Ens. Dent Gauche	Linke Zinke Komplett
98	1483-2023-01	1	Ass. Fresa Destra	Right Tine Assy	Ens. Dent Droite	Rechte Zinke Komplett
98	1483-2024-01	1	Ass. Fresa Sinistra	Left Tine Assy	Ens. Dent Gauche	Linke Zinke Komplett
99	1483-2196-01	2	Perno	Pin	Pivot	Bolzen





N.	CODE	Q.TY	DESCRIZIONE	DESCRIPTION	DESCRIPTION	BESCHREIBUNG
----	------	------	-------------	-------------	-------------	--------------

1	1483-2211-01	1	Filo	Wire	Fil	Kabel
2	1483-2017-01	1	Leva	Lever	Levier	Hebel
3	1483-2278-01	1	Leva, Acceleratore	Lever, Throttle	Levier, Accelérateur	Hebel, Beschleuniger
4	9959-0616-16	1	Vite	Screw	Vis	Schraube
5	9747-0631-02	4	Dado	Nut	Ecrou	Mutter
6	1483-2296-01	1	Cavo Acceleratore	Throttle Cable	Cable, Accelérateur	Gashebel Kabel
7	1483-2163-01	1	Manico	Handle	Manchon	Holm
8	9747-0531-02	1	Dado	Nut	Ecrou	Mutter
9	1483-2018-01	1	Supporto	Support	Support	Halter
10	1483-2079-01	2	Impugnatura	Handgrip	Poignée	Handgriff
11	1483-2005-01	1	Vite	Screw	Vis	Schraube
12	1483-2008-01	1	Maniglia	Handle	Poignée	Griff
13	1483-2162-01	2	Filo	Cable	Fil	Kabel
14	9747-0831-02	9	Dado	Nut	Ecrou	Mutter
15	9699-0028-02	16	Rosetta	Washer	Rondelle	Scheibe
16	1483-2166-01	1	Tappo	Cap	Bouchon	Gummistopfen

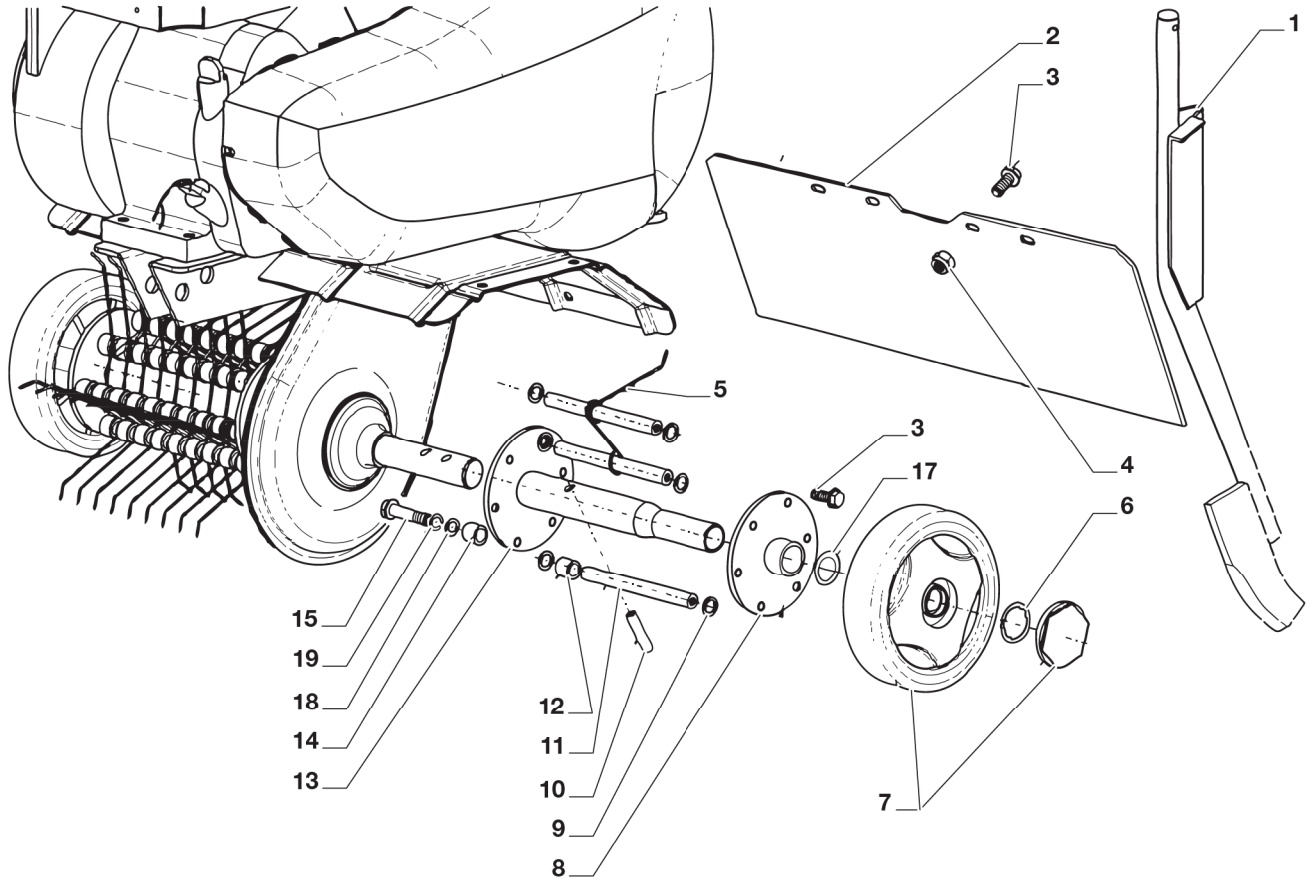




N.	CODE	Q.TY	DESCRIZIONE	DESCRIPTION	DESCRIPTION	BESCHREIBUNG
17	1483-2021-01	4	Supporto	Support	Support	Halter
18	9997-0865-12	1	Vite	Screw	Vis	Schraube
19	1483-2191-01	2	Dado	Nut	Ecrou	Mutter
20	9699-0122-02	9	Rosetta	Washer	Rondelle	Scheibe
21	9699-0028-02	1	Rosetta	Washer	Rondelle	Scheibe
22	9959-0825-16	2	Vite	Screw	Vis	Schraube
24	1483-2187-01	1	Guarnizione	Oil Seal	Garniture	Dichtung
25	1483-2186-01	1	Tappo	Cap	Bouchon	Gummistopfen
26	9997-0840-16	4	Vite	Screw	Vis	Schraube
27	9997-0820-16	4	Vite	Screw	Vis	Schraube
28	1483-2171-01	1	Piastra Destra Gialla	Plate, Right Yellow	Plaque Droite Jaune	Platte, Rechte Gelb
28	1483-2171-02	1	Piastra Destra Rossa	Plate, Right Red	Plaque Droite Rouge	Platte, Rechte Rot
28	1483-2172-01	1	Piastra Sinistra Gialla	Plate, Left Yellow	Plaque Gauche Jaune	Platte, Linke Gelb
28	1483-2172-02	1	Piastra Sinistra Rossa	Plate, Left Red	Plaque Gauche Rouge	Platte, Linke Rot
29	9598-0002-02	2	Coppiglia	Cotter Pin	Goupille	Split
30	1483-2168-01	1	Supporto	Support	Support	Halter
31	1483-2195-01	1	Rosetta	Washer	Rondelle	Scheibe
32	1483-2112-01	1	Supporto	Support	Support	Halter
33	9943-0625-16	1	Vite	Screw	Vis	Schraube
34	1483-2156-01	1	Carter Trasmissione Giallo	Transm.housing-yellow	Carter Transmission Jaune	Antriebsblech Gelb
34	1483-2156-02	1	Carter Trasmissione Rosso	Transm.housing-red	Carter Transmission Rouge	Antriebsblech Rot
35	1483-2075-01	1	Tappo	Cap	Bouchon	Gummistopfen
36	1483-2070-01	2	Guarnizione	Oil Seal	Garniture	Dichtung
37	1483-2167-01	1	Leva	Lever	Levier	Hebel
38	1483-2190-01	1	Dado	Nut	Ecrou	Mutter
39	9997-0616-16	1	Vite	Screw	Vis	Schraube
40	9683-0025-02	1	Rosetta	Washer	Rondelle	Scheibe
41	9997-0660-12	1	Vite	Screw	Vis	Schraube
42	1483-2174-01	1	Puleggia	Pulley	Poulie	Riemenscheibe
43	1483-2295-01	1	Guaina Cavi	Wire Sheath	Gaine Câbles	Kabelmantel
44	9915-0610-15	1	Vite	Screw	Vis	Schraube
45	9987-5116-16	4	Vite	Screw	Vis	Schraube
46	1483-2158-01	1	Molla	Spring	Ressort	Feder
47	1483-2157-01	1	Molla	Spring	Ressort	Feder
48	1483-2153-01	1	Distanziale	Spacer	Entretoise	Distanzring
49	1483-2152-01	1	Distanziale	Spacer	Entretoise	Distanzring
50	1483-2076-01	1	Vite	Screw	Vis	Schraube
51	9997-1235-16	1	Vite	Screw	Vis	Schraube
52	1483-2154-01	1	Leva	Lever	Levier	Hebel
53	1483-2155-01	1	Leva	Lever	Levier	Hebel
54	1483-2151-01	1	Distanziale	Spacer	Entretoise	Distanzring
55	1483-2004-01	2	Puleggia	Pulley	Poulie	Riemenscheibe
57	9699-0035-02	2	Rosetta	Washer	Rondelle	Scheibe
58	9747-1031-02	4	Dado	Nut	Ecrou	Mutter
59	9747-1231-02	1	Dado	Nut	Ecrou	Mutter
60	1483-2150-01	1	Puleggia	Pulley	Poulie	Riemenscheibe
61	9595-0277-01	1	Perno	Pin	Pivot	Bolzen
62	1483-2141-01	1	Cinghia	Belt	Courroie	Riemen
63	1483-2149-01	1	Cinghia	Belt	Courroie	Riemen
64	9959-0616-16	1	Vite	Screw	Vis	Schraube
65	1483-2159-01	1	Protezione	Guard	Protection	Schutz
66	1483-2020-01	1	Distanziale	Spacer	Entretoise	Distanzring
67	1483-2173-01	2	Disco Parapolvere	Dust Cover	Protege-Poussiere	Staubschuttscheibe
68	9699-0100-02	2	Rosetta	Washer	Rondelle	Scheibe
69	1483-2193-01	1	Dado	Nut	Ecrou	Mutter
70	9997-1050-16	2	Vite	Screw	Vis	Schraube
71	9747-0631-02	1	Dado	Nut	Ecrou	Mutter
72	1483-2182-01	1	Mascherina, Gialla	Mask, Yellow	Mesque, Jaune	Maske, Gelb
72	1483-2182-02	1	Mascherina, Rossa	Mask, Red	Mesque, Rouge	Maske, Rot
73	9997-1050-16	4	Vite	Screw	Vis	Schraube
74	1483-2180-01	1	Staffa	Bracket	Support	Schelle
75	9747-1031-02	4	Dado	Nut	Ecrou	Mutter
76	1483-2200-01	2	Vite	Screw	Vis	Schraube
77	9997-0635-12	2	Vite	Screw	Vis	Schraube
78	9699-0025-02	1	Rosetta	Washer	Rondelle	Scheibe
79	9699-0104-02	1	Rosetta	Washer	Rondelle	Scheibe
80	1483-2160-01	1	Copertura Gialla	Cover Yellow	Couvre Jaune	Kappe Gelb
80	1483-2160-02	1	Copertura Rossa	Cover Red	Couvre Rouge	Kappe Rot
82	1483-2117-01	1	Distanziale	Spacer	Entretoise	Distanzring
83	1483-2176-01	1	Ruota Dentata	Sprocket	Couronne	Zahnkettenrad
85	1483-2175-01	1	Ruota Dentata	Sprocket	Couronne	Zahnkettenrad
86	9549-0001-00	1	Cuscinetto	Bearing	Roulement	Kuegellager
87	1483-2145-01	1	Distanziale	Spacer	Entretoise	Distanzring
88	1483-2147-01	1	Staffa	Bracket	Support	Schelle
89	9997-0612-16	1	Vite	Screw	Vis	Schraube
90	1483-2146-01	1	Piastrina	Plate	Plaque	Platte
91	9650-0012-04	1	Anello Seeger	Ring	Circlip	Ring
95	1483-2022-01	2	Disco	Disc	Disque	Scheibe
97	1483-2169-01	1	Ass. Fresa Destra	Right Tine Assy	Ens. Dent Droite	Rechte Zinke Komplett
97	1483-2170-01	1	Ass. Fresa Sinistra	Left Tine Assy	Ens. Dent Gauche	Linke Zinke Komplett
98	1483-2023-01	1	Ass. Fresa Destra	Right Tine Assy	Ens. Dent Droite	Rechte Zinke Komplett
98	1483-2024-01	1	Ass. Fresa Sinistra	Left Tine Assy	Ens. Dent Gauche	Linke Zinke Komplett
99	1483 2196 01	2	Perno	Pin	Pivot	Bolzen



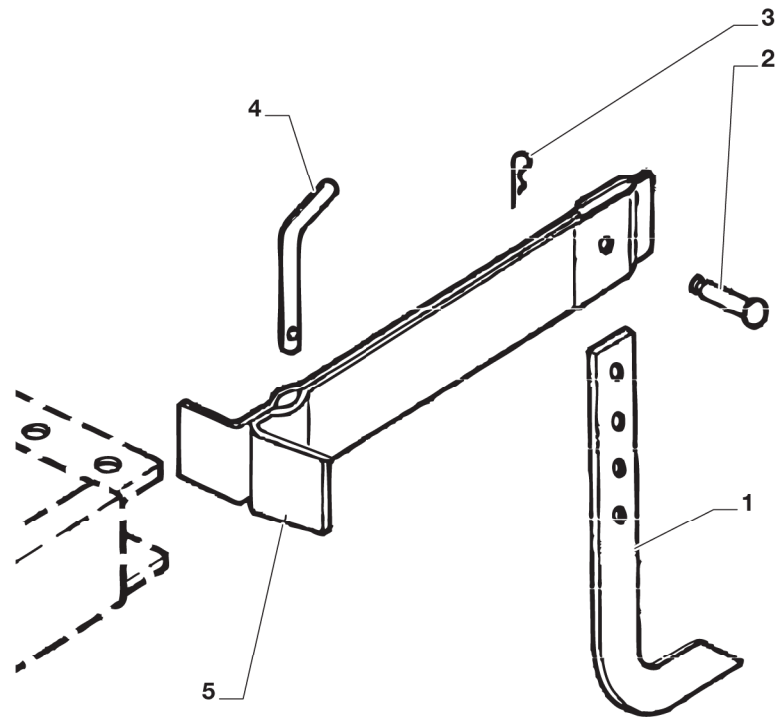
360 G	500-G	40-G	50-G	75-G	82 R-HX	87 B	TAVOLA 2	2009
	500 R-G	40 R-G	50-H	75 R-B			TABLE 2	1402.0
			50 R-B	75 R-H			TABLEAU 2	1 / 1
			75 R-HX	TAFEL 2				



N.	CODE	Q.TY	DESCRIZIONE	DESCRIPTION	DESCRIPTION	BESCHREIBUNG
1	1483-2317-01	1	Asta	Rod	Barre	Stange
2	1483-2318-01	1	Copertura	Cover	Couvre	Kappe
3	9959-0816-16	16	Vite	Screw	Vis	Schraube
4	9747-0831-02	4	Dado	Nut	Ecrou	Mutter
5	1483-2307-01	96	Molla	Spring	Ressort	Feder
6	1483-2322-01	2	Fissatore A Corona	Crown Fastener	Fixateur A Couronne	Kronescheibe
7	1483-2314-01	2	Ruota	Wheel	Roue	Rad
8	1483-2313-01	2	Flangia	Flange	Bride	Flansch
9	9699-0121-02	36	Rosetta	Washer	Rondelle	Scheibe
10	1483-2324-01	2	Spina	Pin	Goupille	Stift
11	1483-2305-01	12	Albero	Shaft	Arbre	Welle
12	1483-2315-01	96	Distanziale	Spacer	Entretoise	Distanzring
13	1483-2312-01	2	Staffa	Clamp	Etrier	Bride
14	1483-2316-01	12	Distanziale	Spacer	Entretoise	Distanzring
15	9997-0835-12	12	Vite	Screw	Vis	Schraube
17	1483-2297-01	2	Distanziale	Spacer	Entretoise	Distanzring
18	9699-0122-02	12	Rosetta	Washer	Rondelle	Scheibe
19	9699-0028-02	12	Rosetta	Washer	Rondelle	Scheibe



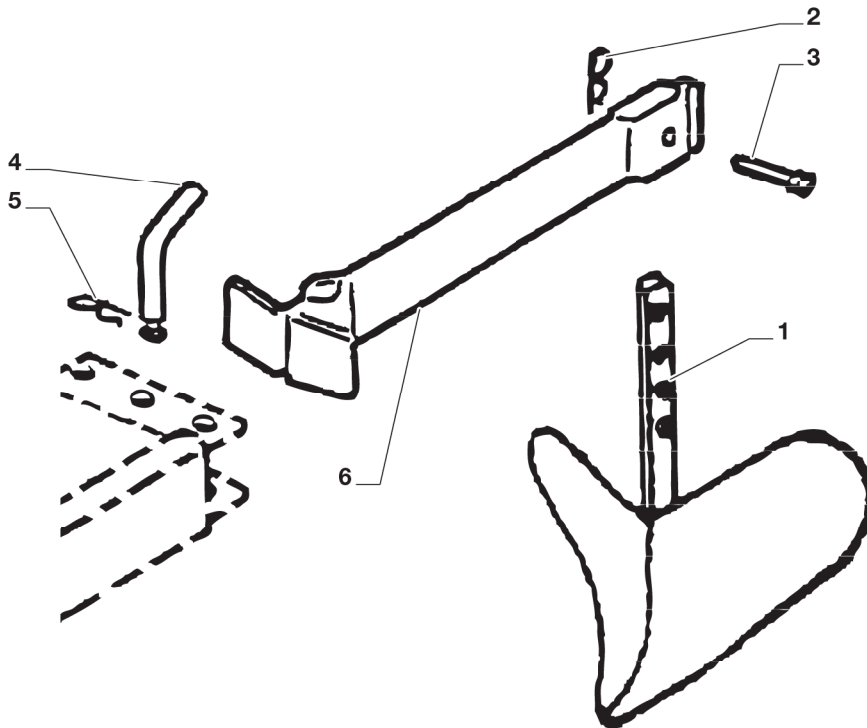
360 G	500-G	40-G	50-G	75-G	82 R-HX	87 B	TAVOLA 3	2009
	500 R-G	40 R-G	50-H	75 R-B			TABLE 3	1403.0
			50 R-B	75 R-H			TABLEAU 3	1 / 1
				75 R-HX			TAFEL 3	



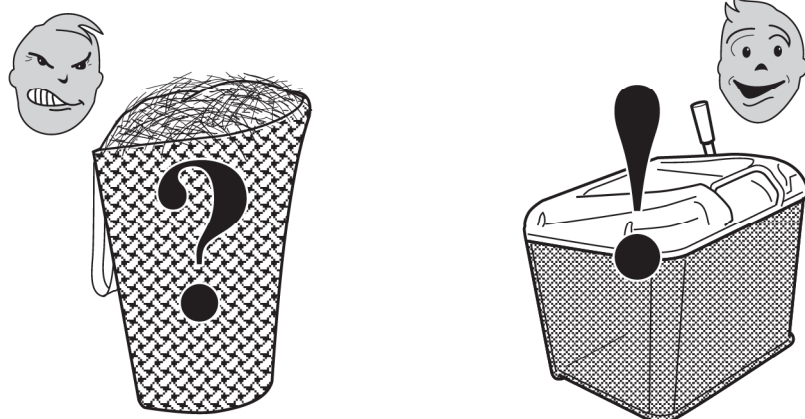
N.	CODE	Q.TY	DESCRIZIONE	DESCRIPTION	DESCRIPTION	BESCHREIBUNG
1	1483-2287-01	1	Asta	Rod	Barre	Stange
2	1483-2286-01	1	Perno	Pin	Pivot	Bolzen
3	9599-0052-02	1	Coppiglia	Cotter Pin	Goupille	Splint
4	1483-2292-01	1	Perno	Pin	Pivot	Bolzen
5	1483-2293-01	1	Staffa	Bracket	Support	Schelle



360 G	500-G	40-G	50-G	75-G	82 R-HX	87 B	2009
	500 R-G	40 R-G	50-H	75 R-B			1404.0
			50 R-B	75 R-H			1 / 1
			75 R-HX	TAVOLA 4 TABLE 4 TABLEAU 4 TAFEL 4			



N.	CODE	Q.TY	DESCRIZIONE	DESCRIPTION	DESCRIPTION	BESCHREIBUNG
1	1483-2294-01	1	Aratro	Plough	Charrue	Winkeldrehpflug
2	9598-0002-02	1	Coppiglia	Cotter Pin	Goupille	Splint
3	1483-2286-01	1	Perno	Pin	Pivot	Bolzen
4	1483-2292-01	1	Perno	Pin	Pivot	Bolzen
5	9599-0052-02	1	Coppiglia	Cotter Pin	Goupille	Splint
6	1483-2293-01	1	Staffa	Bracket	Support	Schelle



USARE SOLO RICAMBI ORIGINALI!
USE ONLY GENUINE SPARE PARTS!
UTILISER DES PIÈCES DE RECHANGE D'ORIGINE!
NUR ORIGINALERSATZTEILE VERWENDEN!