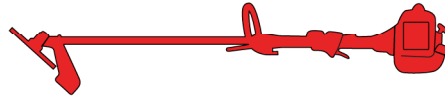
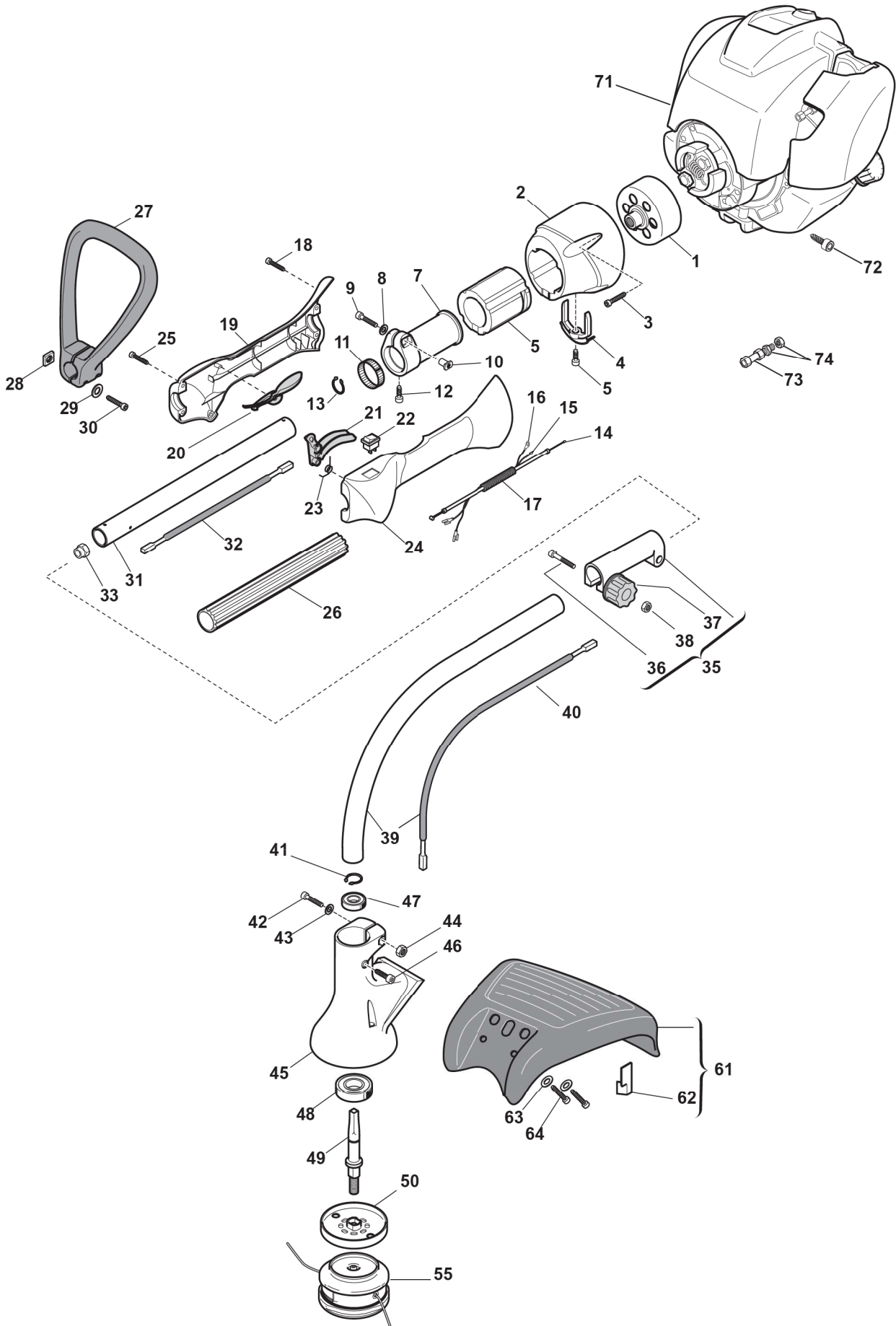


# STAR 28 HTJ

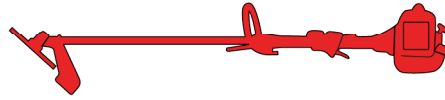


2009  
DC4T1.0  
1 / 4

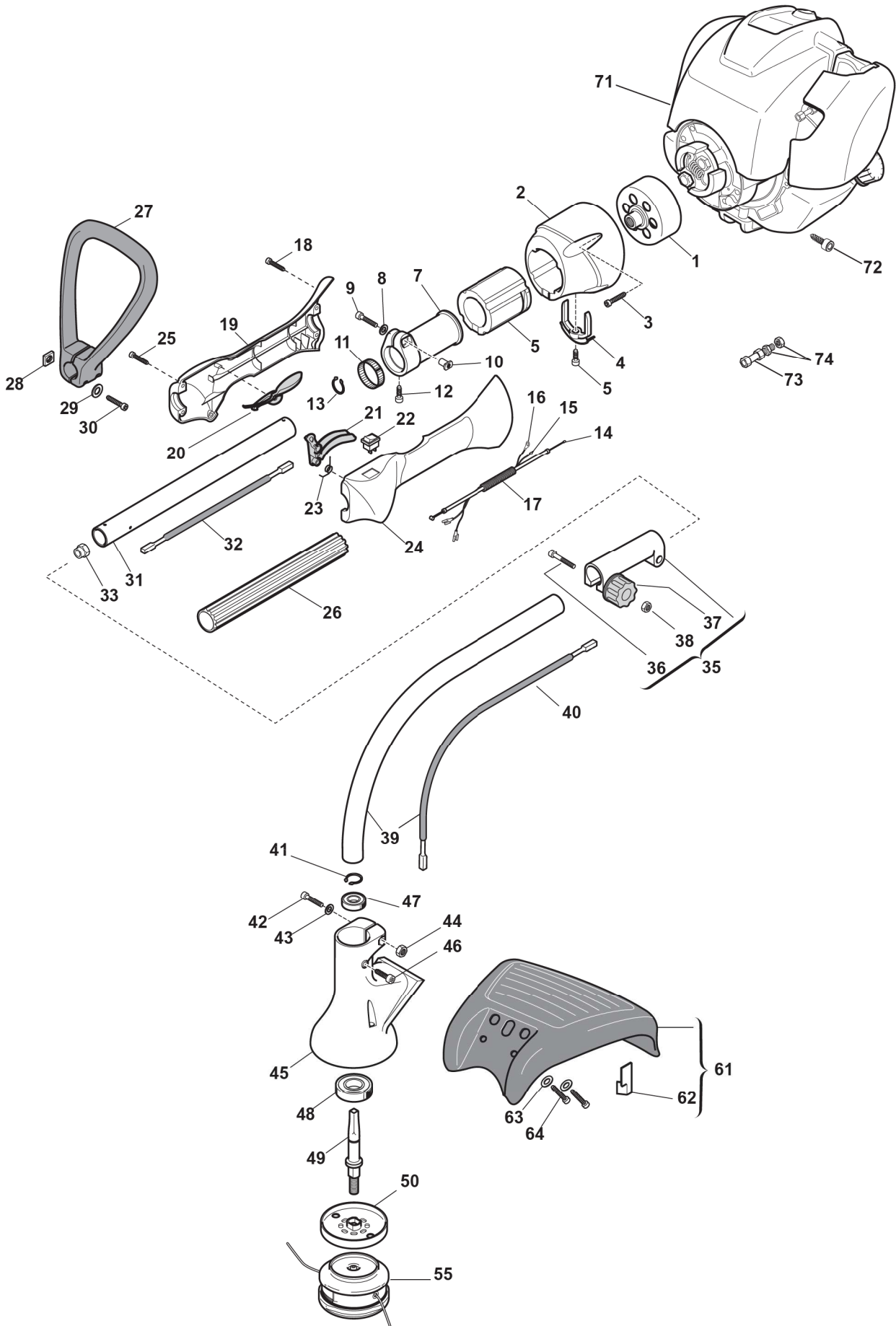


POS.	CODE	Q.TY	DESCRIZIONE	DESCRIPTION	DESCRIPTION	BESCHREIBUNG	REMARKS
1	83050004/0	1	ASS. CAMPANA FRIZIONE	DRUM ASS'Y, CLUTCH	CLOCHE EMBRAYAGE	SET KUPPLUNGSGLOCKE	
2	23782005/0	1	ASS.SUPPORTO TRASM.	SUPPORT TRASM.ASSY	ENS.SUPPORT TRANSM.	GETRIEBEPLATTFORM	
3	2135160	4	VITE	SCREW	VIS	SCHRAUBE	
4	23232001/0	1	FORCELLA	FORK	FOURCHE	GABEL	
5	2123100	1	VITE	SCREW	VIS	SCHRAUBE	
6	23275000/0	1	GOMMINO	GROMMET	CAOUTCHOUC	GUMMI	
7	23782003/0	1	SUPPORTO	SUPPORT	SUPPORT	HALTER	
8	2312020	1	ROSETTA	WASHER	RONDELLE	SCHEIBE	
9	2135040	1	VITE	SCREW	VIS	SCHRAUBE	
10	3643470	1	BOCCOLA	BUSHING	DOUILLE	BÜCHSE	
11	3180560	1	RIDUZIONE	REDUCTION	RÉDUCTION	REDUZIERSTÜCK	
12	2653090	1	VITE	SCREW	VIS	SCHRAUBE	
13	12608600/0	1	ANELLO SEEGER	SNAP RING	CIRCLIPS	SEEGER-RING	
14	23066000/0	1	CAVO ACCELERATORE	WIRE ASS.Y	CÂBLE ACCÉLÉR.	STARTERKABEL	
15	23065000/0	1	CAVO BOBINA-INTER- RUTTORE	COIL-SWITCH CABLE	CÂBLE BOBINE-INTER- RUPT.	SPULENDRAHT-SCHAL- TER	
16	23065004/0	1	CAVO MASSA	EARTH CABLE	CÂBLE MASSE	ERDUNGSKABEL	
17	23290000/0	1	GUAINA CAVI	WIRE SHEATH	GAINÉ CÂBLES	KABELMANTEL	
18	2123100	1	VITE	SCREW	VIS	SCHRAUBE	
19	23700002/0	1	IMPUGNATURA DESTRA	RIGHT HANDGRIP	BRANCHE DRO.	RECHTE GRIFF	
20	23315055/0	1	LEVA DI SICUREZZA	SAFETY LEVER	LEVIER DE SÉCURITÉ	SICHERHEITSHABEL	
21	23315054/0	1	LEVA ACCELERATORE	THROTTLE LEVER	LEVIER ACCÉLÉRATEUR	GASHEBEL	
22	3210970	1	INTERRUTTORE STOP	STOP SWITCH	INTERRUPTEUR D'ARRÊT	STOP-SCHALTER	
23	23430551/1	1	MOLLA LEVA ACCELE- RATORE	SPRING	RESSORT	FEDER GASHEBEL	
24	23700003/0	1	IMPUGNATURA SINISTRA	LEFT HANDGRIP	BRANCHE GAU.	LINKE GRIFF	
25	2123030	4	VITE	SCREW	VIS	SCHRAUBE	
26	23170000/0	1	DISTANZIALE	SPACER	ENTRETOISE	THERMOISOLIERUNG	
27	23300000/0	1	IMPUGNATURA ANTE- RIORE	FRONT HANDLE	POIGNÉE AVANT	HANDGRIFF VORNE	
28	2461030	2	DADO	NUT	ECROU	MUTTER	
29	2312090	2	ROSETTA	WASHER	RONDELLE	SCHEIBE	
30	2135050	2	VITE	SCREW	VIS	SCHRAUBE	
31	83869053/0	1	ASS.TUBO TRASM.	TRANS.PIPE ASSY	ENS.TUBE TRANSM.	SCHAFTGRUPPE	
32	23020007/0	1	ASS.ALBERO TRASM.	TRANS.SHAFT ASSY	ENS.ARBRE TRANSM.	SET MOTORWELLE	
33	23650001/0	1	RACCORDO ALBERO FLEX	SHAFTING - SLEEVE ASS'Y	RACCORD	ANSCHLUSS BIEGSAME WELLE	
35	83260000/0	1	GIUNTO DI CONESS- SIONE	JOINT CHAIR ASS'Y	ENS.JONCTION ARBRE TRANS.	KUPPLUNGSTEIL	
36	12689500/0	1	VITE	SCREW	VIS	SCHRAUBE	
37	23593500/0	1	MANOPOLA	KNOB	POIGNEE	KNOPF	
38	2412020	1	DADO	NUT	ECROU	MUTTER	
39	83869058/0	1	ASS.TUBO TRASM.	TRANS.PIPE ASSY	ENS.TUBE TRANSM.	SCHAFTGRUPPE	
40	23020014/0	1	ASS.ALBERO TRASM.	TRANS.SHAFT ASSY	ENS.ARBRE TRANSM.	SET MOTORWELLE	
41	12608600/0	1	ANELLO SEEGER	SNAP RING	CIRCLIPS	SEEGER-RING	
42	2135150	1	VITE	SCREW	VIS	SCHRAUBE	
43	2312010	1	ROSETTA	WASHER	RONDELLE	SCHEIBE	
44	2412020	1	DADO	NUT	ECROU	MUTTER	
45	23056302/0	1	CARTER TESTINA	GEAR CASE	CARTER BOÎTE ENGREN.	ZAHNRADGEHÄUSE	
46	2123100	1	VITE	SCREW	VIS	SCHRAUBE	
47	19216037/0	1	CUSCINETTO	BEARING	ROULEMENT	LAGER	
48	3112280	1	CUSCINETTO	BEARING	ROULEMENT	LAGER	
49	23020005/0	1	ALBERO TESTINA	HEAD SHAFT	ARBRE TÊTE	WELLENKOPF	

# STAR 28 HTJ



2009
<b>DC4T1.0</b>
3 / 4



POS.	CODE	Q.TY	DESCRIZIONE	DESCRIPTION	DESCRIPTION	BESCHREIBUNG	REMARKS
50	3614630	1	GHIERA SUPERIORE	UPPER RING NUT	BAGUE SUPÉRIEURE	OBERER RINGBOLZEN	
55	23155001/1	1	TESTINA 2 FILI TAP & GO	2 HEDGES NYLON HEAD	TÊTE À 2 FILS NYLON	2 DRAHTSCHEIBE	
61	83465001/0	1	ASS. PARASPRUZZI	SAFETY COVER ASS.Y	ENS. CAPOT ANTI-PROJECTIONS	SET SPRITZSCHUTZ	
62	3614640	1	LAMIERINO TAGLIAFILO	LINE CUTTER	COUPE-FIL	DRAHTSCHERENBLECH	
63	2312150	2	ROSETTA	WASHER	RONDELLE	SCHEIBE	
64	2123030	2	VITE	SCREW	VIS	SCHRAUBE	
71	*	1	MOTORE	ENGINE	MOTEUR	MOTOR	HONDA GX 25
72	2135020	1	VITE	SCREW	VIS	SCHRAUBE	
73	3630600/1	1	REGISTRO CAVO ACCLE- RATORE	THROTTLE CABLE ADJU- STER	REGISTRE	REGLER	
74	2412090	2	DADO	NUT	ECROU	MUTTER	