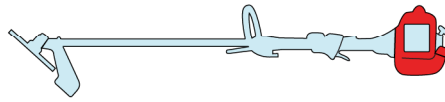


TB

44

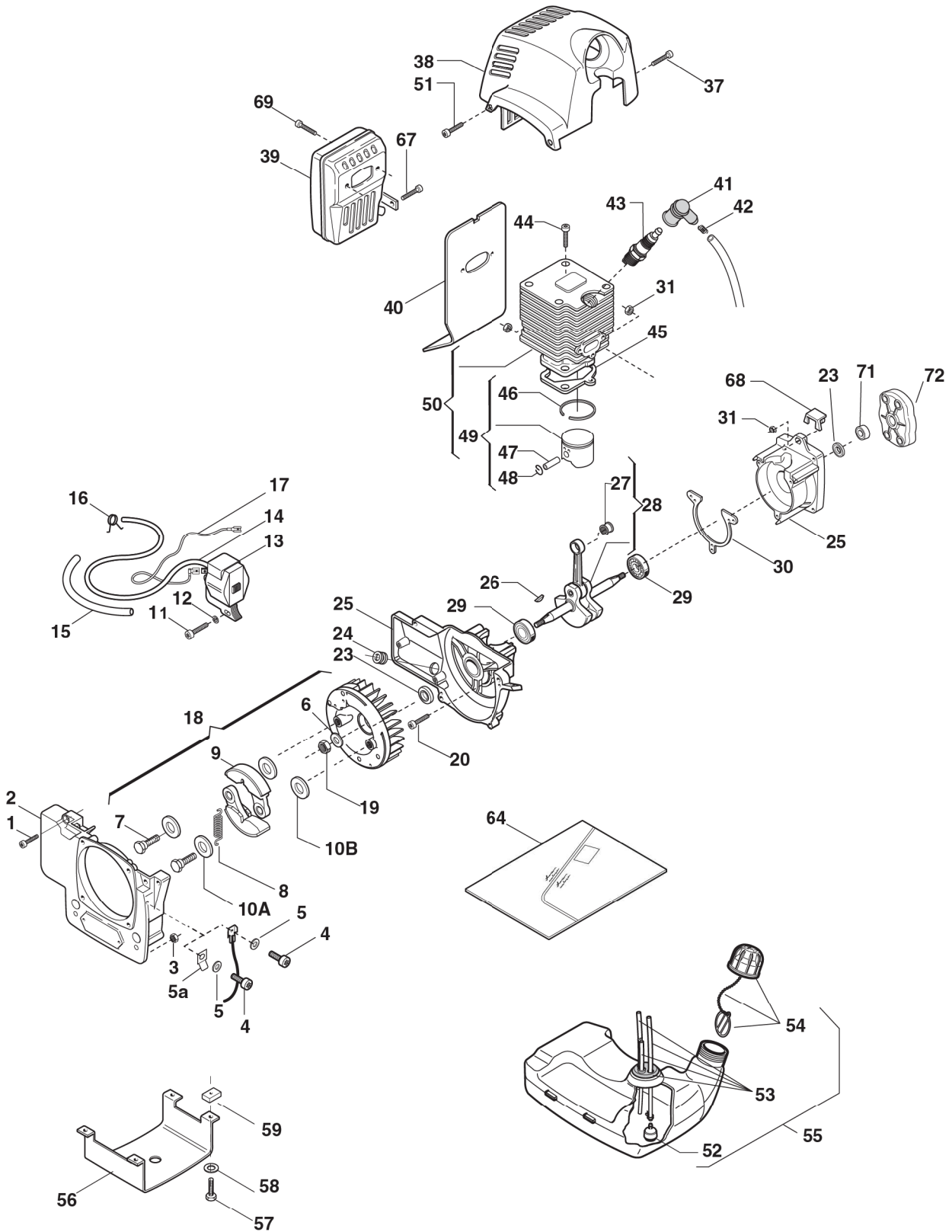
44D



2009

DC016.0

1 / 4

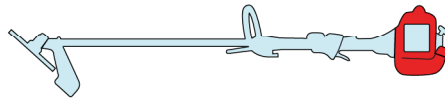


POS.	CODE	Q.TY	DESCRIZIONE	DESCRIPTION	DESCRIPTION	BESCHREIBUNG	REMARKS
1	23878016/0	4	VITE	SCREW	VIS	SCHRAUBE	
2	323208409/0	1	CARTER SUPP. TRASMISSIONE	TRANSM.SUPPORT CASE	CARTER SUPP. TRANSM.	GEHÄUSE GETRIEBE-PLATTFORM	
3	2461030	4	DADO	NUT	ECROU	MUTTER	
4	2132500	1	VITE	SCREW	VIS	SCHRAUBE	
5	2312120	1	RONDELLA	WASHER	RONDELLE	UNTERLEGSCHLEIBE	
5a	3211420	1	FASTON (FLEX)	FASTON (FLEX)	FASTON (FLEX)	ERDUNGSSTECKER (FLEX)	
6	2350040	1	ROSETTA	WASHER	RONDELLE	SCHLEIBE	
7	2653213	2	VITE	SCREW	VIS	SCHRAUBE	
8	3654040	1	MOLLA FRIZIONE MOD. ASS.PISTONE Ø 42	SPRING MOD.PISTON ASS.Y Ø 42	RESSORT X MOD.ENS. PISTON Ø 42	KUPPLUNGSFEDER X MOD. KOLBENSET Ø 42	
9	3660430/1	2	MASSA FRIZIONE MOD. ASS.PISTONE Ø 42	CLUTCH UNIT MOD. PISTON ASS.Y Ø 42	EMBRAYAGE X MOD.ENS. PISTON Ø 42	REIBUNGSMASSE X MOD. KOLBENSET Ø 42	
10a	23652501/0	2	ROSETTA	WASHER	RONDELLE	SCHLEIBE	
10b	2321230	2	ROSETTA	WASHER	RONDELLE	SCHLEIBE	
11	2135060	2	VITE	SCREW	VIS	SCHRAUBE	
12	2321150	2	ROSETTA	WASHER	RONDELLE	SCHLEIBE	
13	23044001/0	1	BOBINA ELETTRONICA	ELECTRONIC COIL	BOBINE ÉLECTRONIQUE	ELEKTRONIKSPULE	
14	3211080	1	FILO BOBINA	SPARK PLUG CABLE	FIL BOBINE	DRAHT ZÜNDKERZE	
15	3782040	1	GUAINA CAVO CANDELA	WIRE JAKET	GAINÉ CÂBLE	KABELMANTEL GASHEBEL	
16	3657450	1	FASCETTA CAVO CANDELA	CLAMP	COLLIER	ZÜNDKERZENKABEL	
17	3211415	1	CAVO MASSA	EARTH CABLE	CÂBLE MASSE	ERDUNGSKABEL	
18	8252500/1	1	ASS.VOLANO-MASSE MOD. PIST. Ø 42 (INCL.7-10)	FLYWHEEL ASS.Y X MOD. PISTON Ø 42 (INCL.7-10)	ENS.VOLANT X MOD.ENS. PISTON Ø 42 (INCL.7-10)	SET SCHWUNGRAD MAGNET X MOD. KOLBENSET Ø 42 (INCL.7-10)	
19	2412100	1	DADO	NUT	ECROU	MUTTER	
20	2135130	4	VITE	SCREW	VIS	SCHRAUBE	
23	3121120	2	ANELLO DI TENUTA	SEAL RING	ANNEAU DE TENUE	DICHTRING	
24	3745130	1	GOMMINO PASSACAVO	GROMMET	RONDELLE CAOUTCHOUC	LIPPKLAMPE	
25	383084000/0	1	COPPIA CARTER MOTORE	CRANKASE ASS.Y	ENS. CARTER MOTEUR	PAAR MOTORABDECKUNG	
26	3151050	1	LINGUETTA VOLANO	FLYWHEEL KEY	CLAVETTE VOLANT	LASCHE SCHWUNGRAD	
27	3114190	1	GABBIA A RULLI	NEEDLE BEARING	ROUL. À AIGUILLES	WALZENKÄFIG	
28	8251440	1	ASS.ALBERO MOTORE (INCL.27)	CRANCKSHAFT ASS.Y (INCL.27)	ENS.ARBRE MOTEUR (INCL.27)	SET MOTORWELLE (INCL.27)	
29	3112040	2	CUSCINETTO	BEARING	ROUL. À BILLES	KUGELLAGER	
30	3724120	1	GUARNIZIONE CARTERS	GASKET	JOINT	DICHTUNG ABDECKUNG	
31	2432040	5	DADO	NUT	ECROU	MUTTER	
37	2135030	3	VITE	SCREW	VIS	SCHRAUBE	
38	4563880	1	CUFFIA COPRICILINDRO GIALLA	YELLOW CYLINDER COVER	COUVERCLE CYLINDRE JAUNE	MOTORABDECKUNG GELB	
38	4563883	1	CUFFIA COPRICILINDRO ROSSO	RED CYLINDER COVER	COUVERCLE CYLINDRE ROUGE	MOTORABDECKUNG ROT	
39	4122170/1	1	SILENZIATORE	MUFFLER	SILENCIEUX	SCHALLDÄMPFER	
40	3724380	1	GUARNIZIONE SILENZIATORE	GASKET	JOINT SILENCIEUX	DICHTUNG SCHALLDÄMPFER	
41	3744850	1	CAPPUCCIO CANDELA	SPARK PLUG COVER	CAPUCHON BOUGIE	ZÜNDKERZENKAPPE	
42	3657530	1	TERMINALE FILO CANDELA	SPARK PLUG SPRING	BORNE FIL BOUGIE	DRAHTENDE ZÜNDKERZE	
43	3210024	1	CANDELA	SPARK PLUG	BOUGIE	ZÜNDKERZE	
44	2135060	4	VITE	SCREW	VIS	SCHRAUBE	
45	3724130	1	GUARNIZIONE CILINDRO	CYLINDER GASKET	JOINT CYLINDRE	ZYLINDERDICHTUNG	
46	3123200	1	FASCIA ELASTICA Ø 42	PISTON RING Ø 42	COLLIER ÉLASTIQUE Ø 42	KOLBENRING Ø 42	
47	3158010	1	SPINOTTO PISTONE Ø 42	PISTON PIN Ø 42	POINTEAU PISTONX ENS. PISTON Ø 42	KOLBENBOLZEN X MOD. KOLBENSET Ø 42	

TB

44

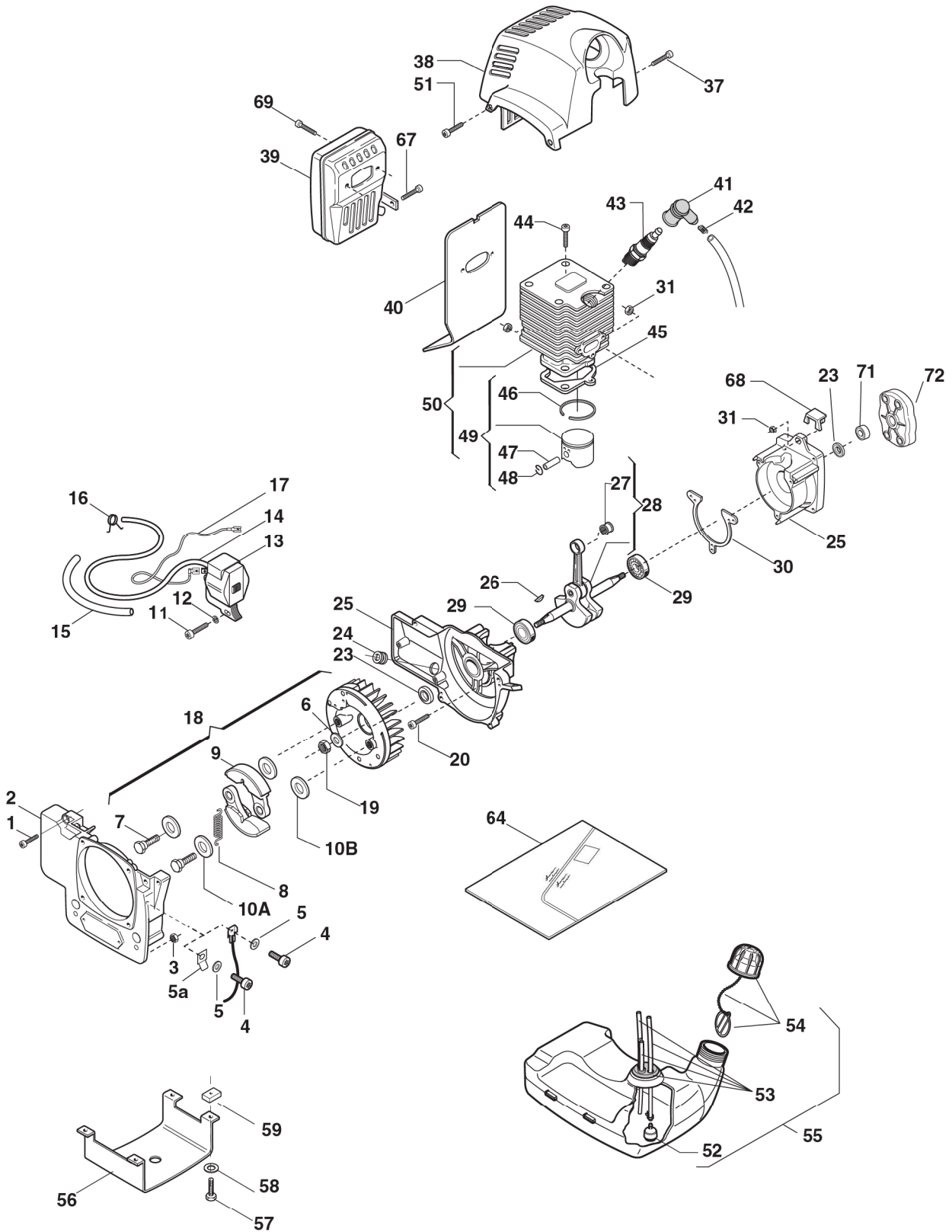
44D



2009

DC016.0

3 / 4

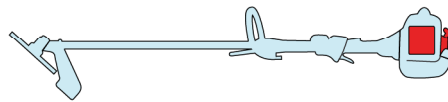


POS.	CODE	Q.TY	DESCRIZIONE	DESCRIPTION	DESCRIPTION	BESCHREIBUNG	REMARKS
48	3356020	2	FERMO SPINOTTO	CIRCLIP	CIRCLIP	SPERRE BOLZEN	
49	8540860	1	ASS.PISTONE Ø 42 (INCL.46-48)	PISTON ASS.Y Ø 42 (INCL.46-48)	ENS.PISTON Ø 42 (INCL.46-48)	KOLBENSET Ø 42 (INCL.46-48)	
50	8540890	1	ASS.CIL-PIST Ø 42 (INCL.49)	CYL-PIST Ø 42 (INCL.49)	CYL.-PIST. Ø 42 (INCL.49)	SET KOLBEN-ZYL. Ø 42 (INCL.49)	
51	2135040	2	VITE	SCREW	VIS	SCHRAUBE	
52	4253290	1	PESCANTE MISCELA	INTAKE FILTER	FILTRE D'ASPIRATION	TAUCHSONDE	
53	8745542	1	ASS.GOMMINO PASSA- TUBI	GROMMET ASS.Y	ENS.RONDELLE CAOU- TCHOUC	SET GUMMIRINGE	
54	8741370	1	ASS.TAPPO MISCELA	FUEL CAP ASS.Y	ENS.BOUCHON MÉLAN- GE	DECKEL TREIBSTOFF- TANK	
55	4252620/1	1	ASS.SERBATOIO MIX (INCL.52-54)	FUEL TANK ASS.Y (INCL.52-54)	ENS.RÉSERVOIR MÉLAN- GE (INCL.52-54)	TREIBSTOFFTANK (INCL.52-54)	
56	4612237	1	FLANGIA SUPPORTO MOTORE	FLANGE	BRIDE MOTEUR	FLANSCH	
57	2135030	4	VITE	SCREW	VIS	SCHRAUBE	
-	2135040	4	VITE	SCREW	VIS	SCHRAUBE	
58	2321150	4	RONDELLA	WASHER	RONDELLE	UNTERLEGSCHIEBE	
59	2461030	4	DADO	NUT	ECROU	MUTTER	
64	8724380/1	1	SERIE GUARNIZIONI (INCL. 30-40-45)	GASKET SET (INCL. 30- 40-45)	SÉRIE JOINTS (INCL. 30-40-45)	SET DICHTUNGEN (INCL.30-40-45)	
67	2135180	1	VITE	SCREW	VIS	SCHRAUBE	
68	3750537	1	DISTANZIALE CUFFIA	YELLOW SPACER	ENTRETOISE JAUNE	DISTANZSTÜCK GELB	
69	2135040	6	VITE	SCREW	VIS	SCHRAUBE	
71	23160051/0	1	DISTANZIALE	SPACER	ENTRETOISE	ENTFERNUNGSSTÜCK	
72	83082000/0	1	COPPA AVVIAMENTO	STARTER CUP	COUPE DÉMARREUR	STARTERGEHÄUSE	

TB

44

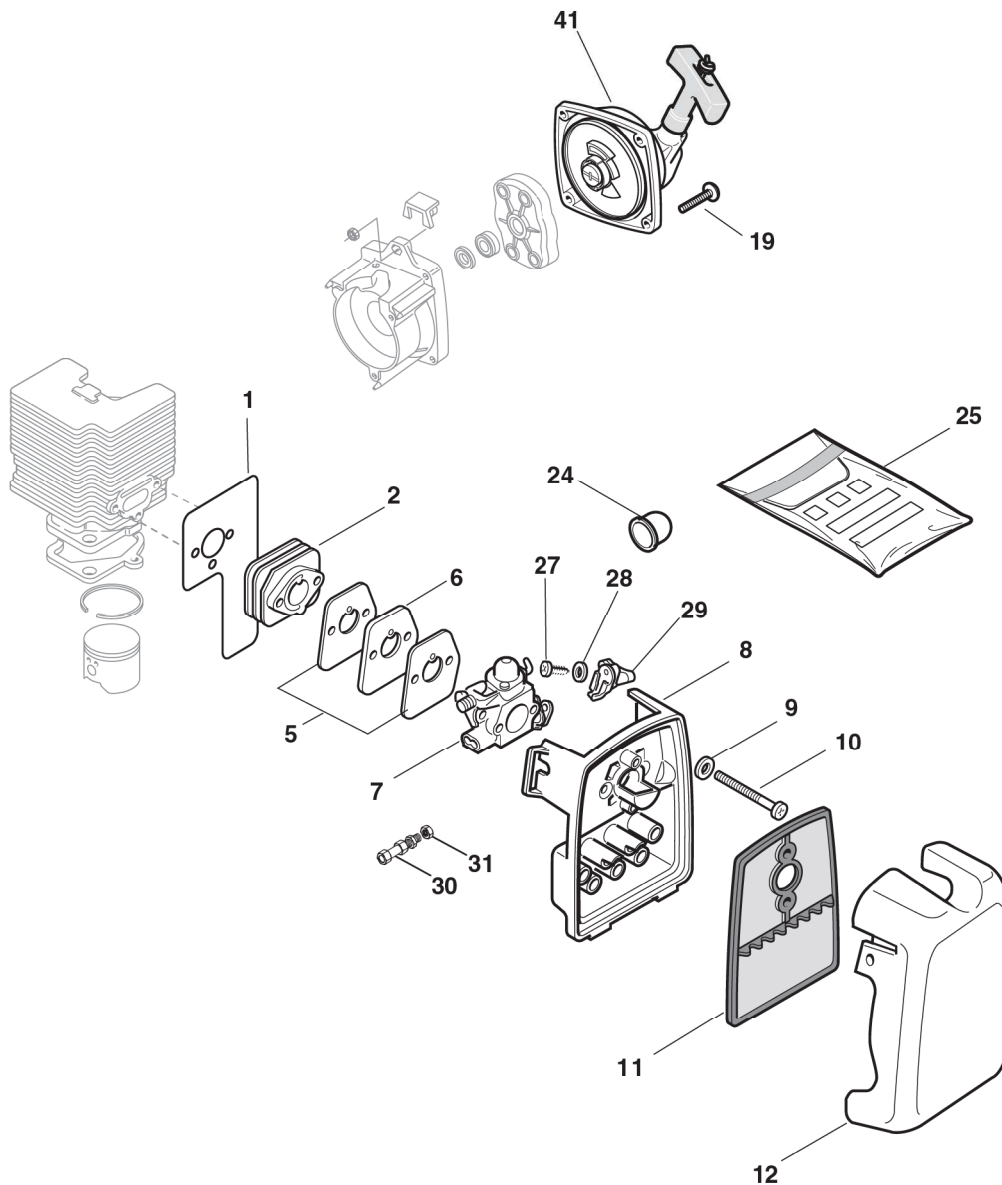
44D



2009

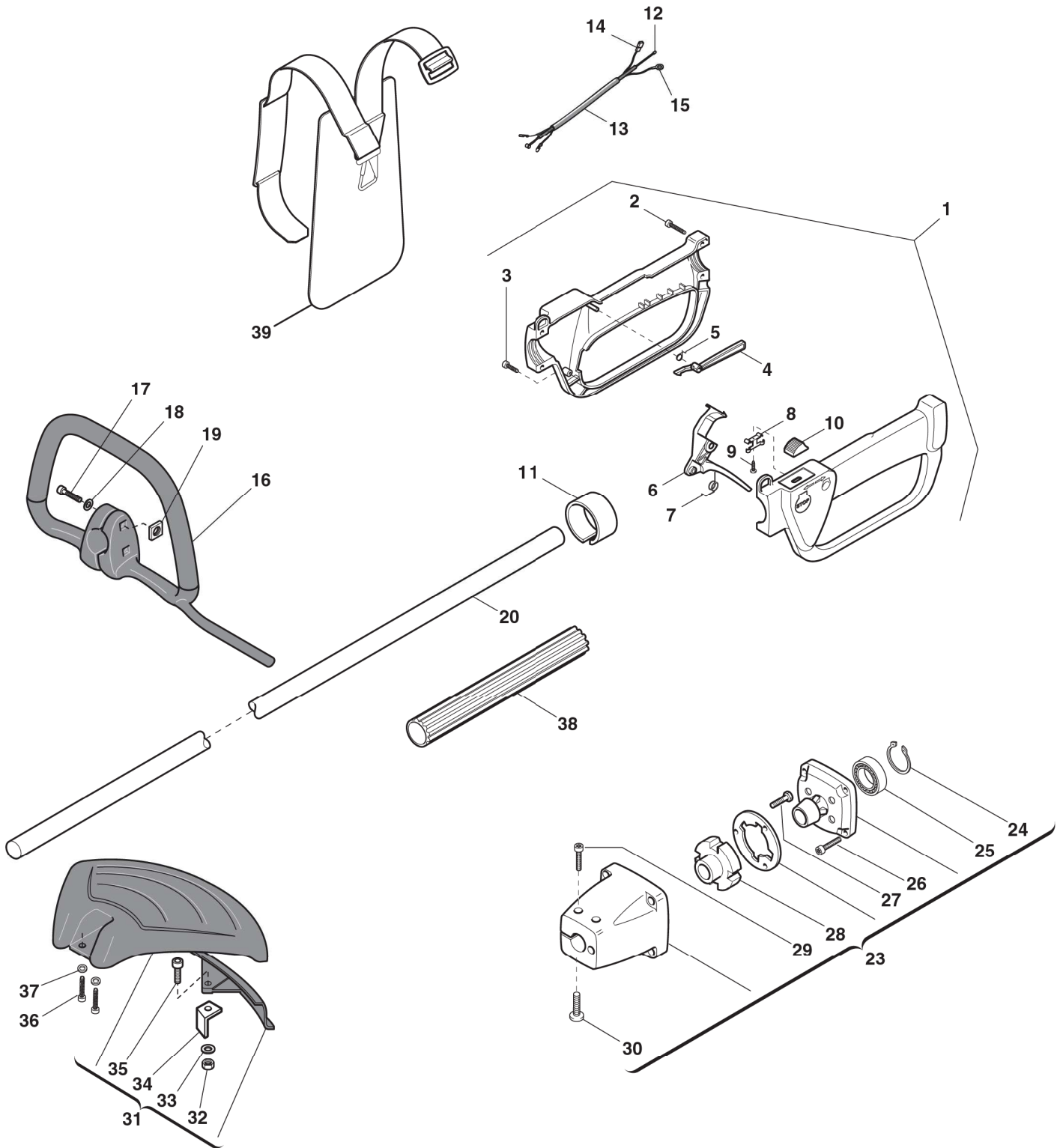
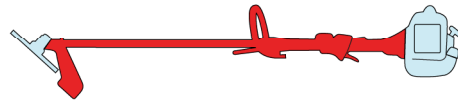
DC016.0

1 / 2



POS.	CODE	Q.TY	DESCRIZIONE	DESCRIPTION	DESCRIPTION	BESCHREIBUNG	REMARKS
1	3724390/2	1	GUARNIZ.COLLETT-CILINDRO	INTAKE-MANIF.GASKET	JOINT COLLECT.-CYLINDRE	DICHT. KOLLEKT.-ZYLINDER	
2	3749740/1	1	COLLETTORE ASPIRAZIONE	INTAKE MANIFOLD	COLLECTEUR ASPIRATION	KOLLEKTOR ANSAUGUNG	
5	1L3724160/1	2	GUARNIZ.CARBURAT-COLLETT.	GASKET	JOINT	DICHT. VERG.-KOLLEKT.	
6	3785050/1	1	DISTANZIALE TERMICO	HEAT BLOCK	BLOCAGE THERMIQUE	THERMOISOLIERUNG	
7	23054014/1	1	CARBURATORE	CARBURETTOR	CARBURATEUR	VERGASER	WALBRO WT 761A
8	23781004/0	1	SUPPORTO FILTRO ARIA GRIGIO	AIR FILTER HOLDER	SUPP. FILTRE À AIR	HALTER LUFTFILTER	
9	2312090	2	ROSETTA	WASHER	RONDELLE	SCHEIBE	
10	2135230	2	VITE	SCREW	VIS	SCHRAUBE	
11	3781640	1	FILTRO ARIA	AIR FILTER	FILTRE À AIR	LUFTFILTER	
12	23090008/0	1	COPRIFILTRO ARIA GIALLO	YELLOW FILTER COVER	COUVRE-FILTRE À AIR JAUNE	FILTERABD. GELB	
-	23090009/0	1	COPRIFILTRO ARIA ROSSO	RED FILTER COVER	COUVRE-FILTRE À AIR ROUGE	FILTERABD. ROT	
24	3744870	1	PRIMER	PRIMER	PRIMER	PRIMER	

POS.	CODE	Q.TY	DESCRIZIONE	DESCRIPTION	DESCRIPTION	BESCHREIBUNG	REMARKS
25	4353150	1	KIT MEMB-GUARNIZ	GASKET-DIAPH. SET	KIT MEMBR.-JOINT	SET MEMB.-DICHT.	
29	23315056/0	1	LEVA ARIA	CHOKE LEVER	LEVIER AIR	CHOKERHEBEL	
27	2123090	1	VITE	SCREW	VIS	SCHRAUBE	
28	2312180	1	ROSETTA	WASHER	RONDELLE	SCHEIBE	
30	3630600/1	1	REGISTRO CAVO ACCLE- RATORE	THROTTLE CABLE ADJU- STER	REGISTRE	REGLER	
31	2412090	1	DADO	NUT	ECROU	MUTTER	
41	83037000/0	1	ASS.AVVIATORE	STARTER ASS.Y	ENS. DÉMARREUR	STARTEREINHEIT	

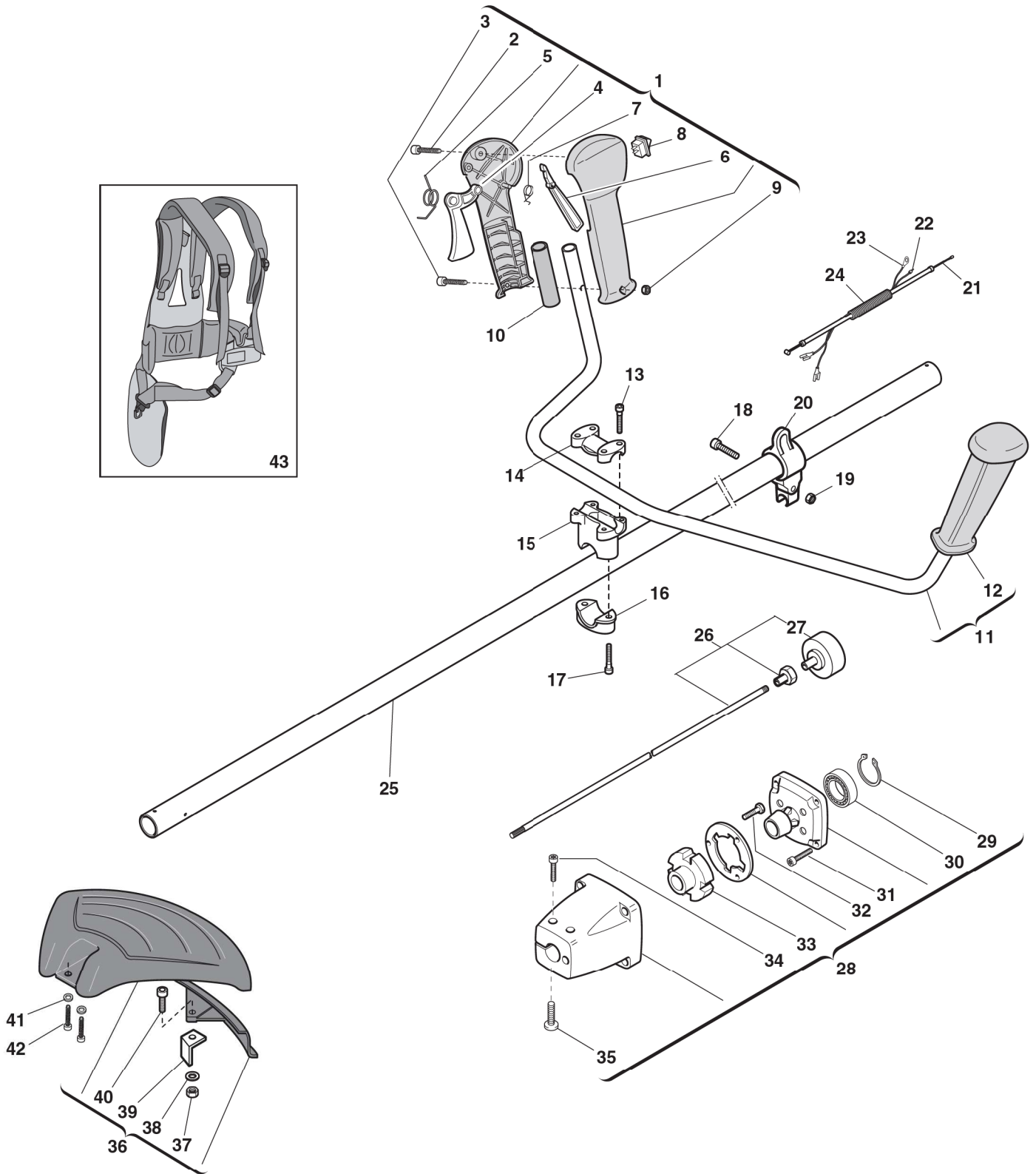
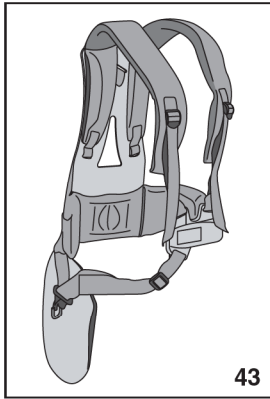


POS.	CODE	Q.TY	DESCRIZIONE	DESCRIPTION	DESCRIPTION	BESCHREIBUNG	REMARKS
1	8562620/1	1	ASS. IMPUGNATURA POST.	HANDLE ASS.Y	ENS.POIGNÉE	SET HANDGRIFF HINTEN	
2	2123030	4	VITE	SCREW	VIS	SCHRAUBE	
3	2123100	2	VITE	SCREW	VIS	SCHRAUBE	
4	3743475	1	LEVA DI SICUREZZA	SAFETY LEVER	LEVIER DE SÉCURITÉ	SICHERHEITSHABEL	
5	3654300	1	MOLLA LEVA DI SICUREZZA	SPRING	RESSORT	FEDER SICHERHEITSHABEL	
6	3743465	1	LEVA ACCELERATORE	THROTTLE LEVER	LEVIER ACCÉLÉRATEUR	GASHEBEL	
7	3654270/1	1	MOLLA LEVA ACCELERATORE	SPRING	RESSORT	FEDER GASHEBEL	
8	3612710	1	LAMIERINO DI STOP	STOP PLATE	PLAQUE D'ARRÊT	STOP-PLÄTTCHEN	
9	2123070	1	VITE	SCREW	VIS	SCHRAUBE	
10	3749270	1	POMELLO DI STOP	STOP KNOB	BOUTON D'ARRÊT	STOP-SCHALTER	
11	3749920	2	RIDUZIONE	REDUCTION	RÉDUCTION	REDUZIERSTÜCK	
12	4251780	1	CAVO ACCELERATORE	WIRE ASS.Y	CÂBLE ACCÉLÉR.	STARTERKABEL	
13	3786030	1	GUAINA CAVI	WIRE SHEATH	GAINÉ CÂBLES	KABELMANTEL	
14	3211570	1	CAVO BOBINA-INTERRUTTORE	COIL-SWITCH CABLE	CÂBLE BOBINE-INTERRUPT.	SPULENDRAHT-SCHALTER	
15	3211120	1	CAVO MASSA	EARTH CABLE	CÂBLE MASSE	ERDUNGSKABEL	
16	23300001/0	1	IMPUGNATURA ANTERIORE	FRONT HANDLE	POIGNÉE AVANT	HANDGRIFF VORNE	
17	2135050	2	VITE	SCREW	VIS	SCHRAUBE	
18	2312090	2	RONDELLA	WASHER	RONDELLE	UNTERLEGSCHIEBE	
19	2461030	2	DADO	NUT	ECROU	MUTTER	
20	8251201	1	ASS.TUBO TRASM.	TRANS.PIPE ASSY	ENS.TUBE TRANSM.	SCHAFTGRUPPE	
21	4251400	1	ASS.ALBERO TRASM.	TRANS.SHAFT ASSY	ENS.ARBRE TRANSM.	SET MOTORWELLE	
22	4121861/1	1	ASS. CAMPANA FRIZIONE	DRUM ASS'Y, CLUTCH	CLOCHE EMBRAYAGE	SET KUPPLUNGSGLOCKE	
23	8562960	1	ASS.SUPPORTO TRASM.	SUPPORT TRASM.ASSY	ENS.SUPPORT TRANSM.	GETRIEBEPLATTFORM	
24	3353080	1	ANELLO SEEGER	RING	CIRCLIP	RING	
25	3112170	1	CUSCINETTO	BEARING	ROULEMENT	LAGER	
26	2135160	4	VITE	SCREW	VIS	SCHRAUBE	
27	2123030	4	VITE	SCREW	VIS	SCHRAUBE	
28	3744260	1	GOMMINO ANTIVIB.	SHOCK ABSORBER	CAOUTCHOUC ANTI-VIBRAT.	SCHWINGUNGSDÄMPFER	
29	2123110	2	VITE	SCREW	VIS	SCHRAUBE	
30	2123100	1	VITE	SCREW	VIS	SCHRAUBE	
31	3L8563570/1	1	ASS. PARASPRUZZI	SAFETY COVER ASS.Y	ENS. CAPOT ANTI-PROJECTIONS	SET SPRITZSCHUTZ	
32	12154330/0	1	DADO	NUT	ECROU	MUTTER	
33	2312150	1	RONDELLA	WASHER	RONDELLE	UNTERLEGSCHIEBE	
34	3615000	1	LAMIERINO TAGLIAFILO	LINE CUTTER	COUPE-FIL	DRAHTSCHERENBLECH	
35	2135030	1	VITE	SCREW	VIS	SCHRAUBE	
36	2135060	2	VITE	SCREW	VIS	SCHRAUBE	
37	2312150	2	RONDELLA	WASHER	RONDELLE	UNTERLEGSCHIEBE	
38	23170000/0	1	DISTANZIALE	SPACER	ENTRETOISE	THERMOISOLIERUNG	
39	4253460	1	BRETELLA	HARNESS	HARNAIS	GURTZEUG	

TB 44 D



2009
DC016b.0
1 / 2

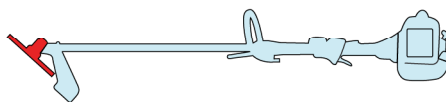


POS.	CODE	Q.TY	DESCRIZIONE	DESCRIPTION	DESCRIPTION	BESCHREIBUNG	REMARKS
1	8563830	1	ASS. IMPUGNATURA	HANDLE ASS.Y	ENS.POIGNÉE	SET HANDGRIFF	
2	2123030	1	VITE	SCREW	VIS	SCHRAUBE	
3	2135050	1	VITE	SCREW	VIS	SCHRAUBE	
4	3743431/1	1	LEVA ACCELERATORE	THROTTLE LEVER	LEVIER ACCÉLÉRATEUR	GASHEBEL	
5	3654270/1	1	MOLLA LEVA ACCELERATORE	SPRING	RESSORT	FEDER GASHEBEL	
6	3743441	1	LEVA DI SICUREZZA	SAFETY LEVER	LEVIER DE SÉCURITÉ	SICHERHEITSHABEL	
7	3654280/1	1	MOLLA LEVA DI SICUREZZA	SPRING	RESSORT	FEDER SICHERHEITSHABEL	
8	3210970	1	INTERRUTTORE STOP	STOP SWITCH	INTERRUPTEUR D'ARRÊT	STOP-SCHALTER	
9	12154330/0	1	DADO	NUT	ECROU	MUTTER	
10	23655001/0	1	RIDUZIONE	REDUCTION	RÉDUCTION	REDUZIERSTÜCK	
11	83394003/0	1	ASS. MANUBRIO	HANDLE ASS.Y	ENS. GUIDON	SET HANDGRIFF	
12	23395050/0	1	IMPUGNATURA SINISTRA	LEFT HANDLE	POIGNÉE GAUCHE	HANDGRIFF LINKS	
13	2135060	4	VITE	SCREW	VIS	SCHRAUBE	
14	4541500/1	1	SUPPORTO MANUBRIO SUP.	UPPER HANDGRIP SUPPORT	SUPPORT GUIDON SUP.	HANDGRIFFHALTER UNTERTEIL	
15	4541490/1	1	SUPPORTO MANUBRIO	HANDLE SUPPORT	SUPPORT GUIDON	HANDGRIFFHALTER	
16	4541510	1	ASS.SUPPORTO MANUBRIO INF.	LOWER HANDGRIP SUPPORT	SUPPORT GUIDON INF.	HANDGRIFFHALTER OBERTEIL	
17	2135050	2	VITE	SCREW	VIS	SCHRAUBE	
18	2135040	1	VITE	SCREW	VIS	SCHRAUBE	
19	2412030	1	DADO	NUT	ECROU	MUTTER	
20	23780000/0	1	SUPPORTO BRETELLE	HARNESS SUPPORT	SUPPORT HARNAIS	GURTZEUGHALTER	
21	23066008/0	1	CAVO ACCELERATORE	WIRE ASS.Y	CÂBLE ACCÉLÉR.	STARTERKABEL	
22	3211590	1	CAVO BOBINA-INTERRUTTORE	COIL-SWITCH CABLE	CÂBLE BOBINE-INTERRUPT.	SPULENDRAHT-SCHALTER	
23	3211600/1	1	CAVO MASSA	EARTH CABLE	CÂBLE MASSE	ERDUNGSKABEL	
24	3786240	1	GUAINA CAVI	WIRE SHEATH	GAINÉ CÂBLES	KABELMANTEL	
25	8251201	1	ASS. TUBO TRASMISS.	TRANSMISSION PIPE ASS.Y	ENS.TUBE TRANSM.	SET ROHR PULSE	
26	4251400	1	ASS.ALBERO TRASM.	TRANS.SHAFT ASSY	ENS.ARBRE TRANSM.	SET MOTORWELLE	
27	4121861/1	1	ASS. CAMPANA FRIZIONE	DRUM ASS'Y, CLUTCH	CLOCHE EMBRAYAGE	SET KUPPLUNGSGLOCKE	
28	8562960	1	ASS.SUPPORTO TRASM.	SUPPORT TRASM.ASSY	ENS.SUPPORT TRANSM.	GETRIEBEPLATTFORM	
29	3353080	1	ANELLO SEEGER	RING	CIRCLIP	RING	
30	3112170	1	CUSCINETTO	BEARING	ROULEMENT	LAGER	
31	2135160	4	VITE	SCREW	VIS	SCHRAUBE	
32	2123030	4	VITE	SCREW	VIS	SCHRAUBE	
33	3744260	1	GOMMINO ANTIVIB.	SHOCK ABSORBER	CAOUTCHOUC ANTI-VIBRAT.	SCHWINGUNGSDÄMPFER	
34	2123110	2	VITE	SCREW	VIS	SCHRAUBE	
35	2123100	1	VITE	SCREW	VIS	SCHRAUBE	
36	3L8563570/1	1	ASS. PARASPRUZZI	SAFETY COVER ASS.Y	ENS. CAPOT ANTI-PROJECTIONS	SET SPRITZSCHUTZ	
37	2432040	1	DADO	NUT	ECROU	MUTTER	
38	2312150	1	ROSETTA	WASHER	RONDELLE	SCHEIBE	
39	3615000	1	LAMIERINO TAGLIAFILO	LINE CUTTER	COUPE-FIL	DRAHTSCHERENBLECH	
40	2135030	1	VITE	SCREW	VIS	SCHRAUBE	
41	2312150	2	ROSETTA	WASHER	RONDELLE	SCHEIBE	
42	2135060	2	VITE	SCREW	VIS	SCHRAUBE	
43	123046000/0	1	BRETELLA	HARNESS	HARNAIS	GURTZEUG	

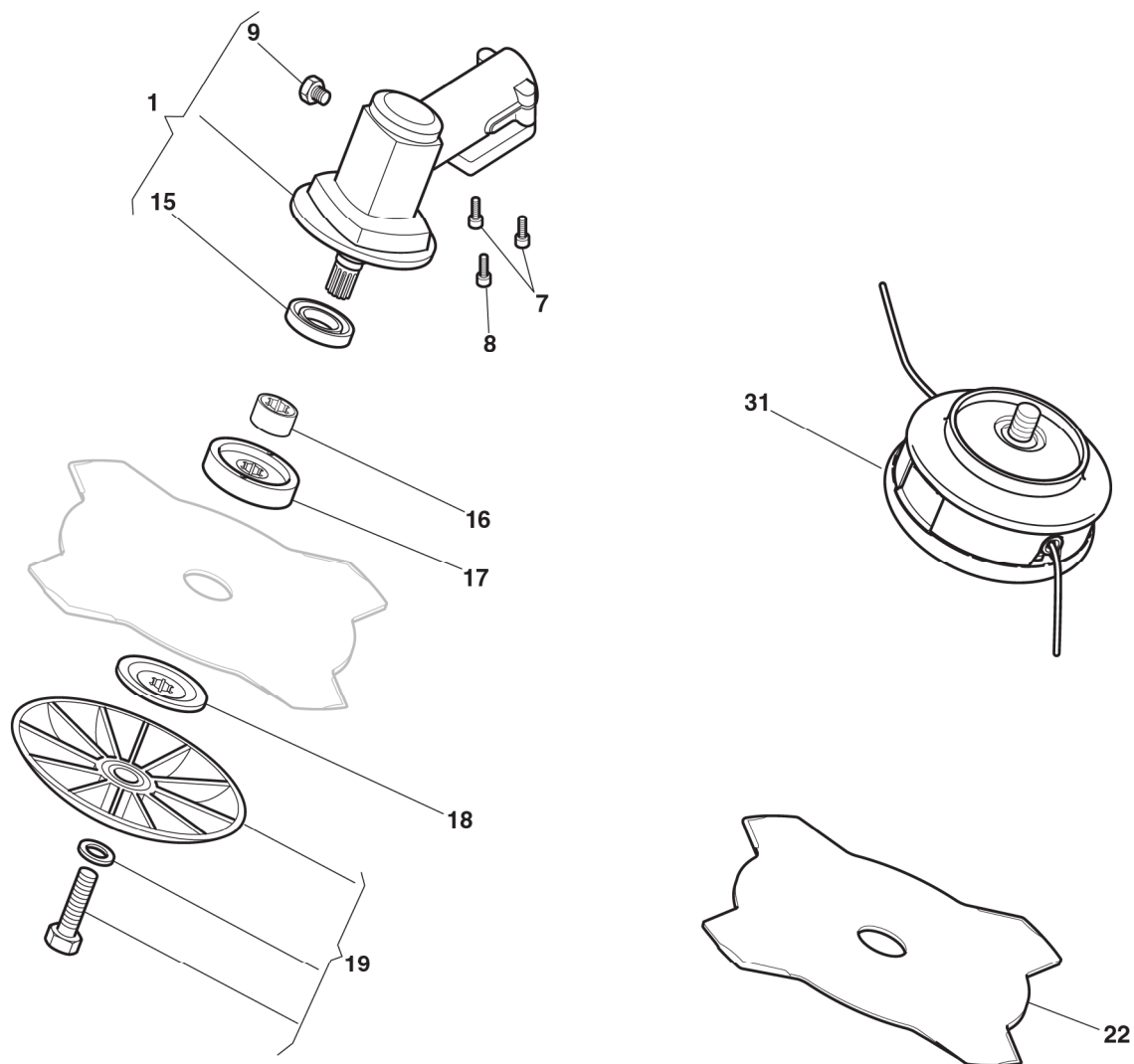
TB

44

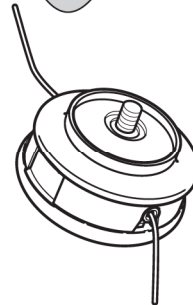
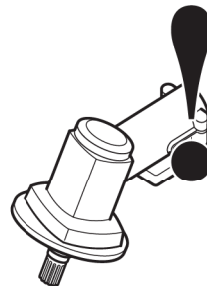
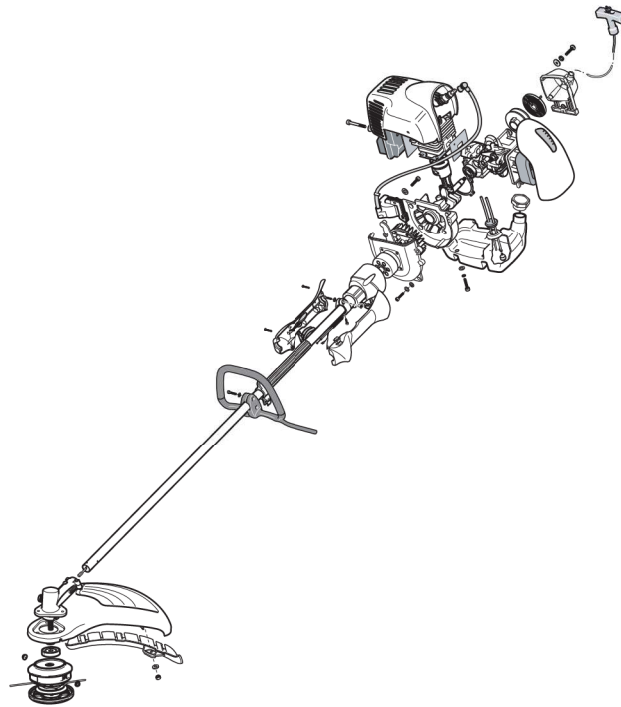
44D



2009
DC016c.0
1 / 2



POS.	CODE	Q.TY	DESCRIZIONE	DESCRIPTION	DESCRIPTION	BESCHREIBUNG	REMARKS
1	4252780/1	1	ASS.TESTINA INGRANAG- GI Ø26MM	GEAR CASE ASSY Ø26MM	ENS.BOÎTE ENGREN. Ø26MM	SET ZAHNRADGETRIEBE Ø26MM	
7	2135050	2	VITE	SCREW	VIS	SCHRAUBE	
8	2653090	1	VITE	SCREW	VIS	SCHRAUBE	
9	2653460	1	VITE	SCREW	VIS	SCHRAUBE	
15	3121170	1	ANELLO DI TENUTA	SEAL RING	ANNEAU DE TENUE	DICHTRING	
16	3641700/1	1	COLLARE	COLLAR	COLLIER	STELLRING	
17	3641640	1	GHIERA SUPERIORE	UPPER RING NUT	BAGUE SUPÉRIEURE	OBERER RINGBOLZEN	
18	3612640	1	GHIERA INFERIORE	LOWER RING NUT	BAGUE INFÉRIEURE	UNTERER RINGBOLZEN	
19	4560610	1	COPPA FISSA	STABILIZER	STABILISATEUR	STABILISATOR	
20	2321230	1	ROSETTA	WASHER	RONDELLE	SCHEIBE	
21	2653170	1	VITE	SCREW	VIS	SCHRAUBE	
22	4611880	1	DISCO 4 PUNTE 25 CM	4 TEETH DISC 25 CM	LAME À 4 DENTS 25 CM	SCHEIBE / 4 ZÄHNE 25 CM	
31	4353240/1	1	TESTINA 2 FILI TAP & GO	2 HEDGES NYLON HEAD	TÊTE À 2 FILS NYLON	2 DRAHTSCHEIBE	



USARE SOLO RICAMBI ORIGINALI!
USE ONLY GENUINE SPARE PARTS!
UTILISER DES PIÈCES DE RECHANGE D'ORIGINE!
NUR ORIGINALERSATZTEILE VERWENDEN!