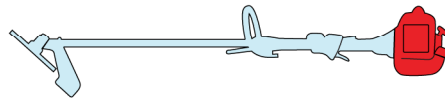
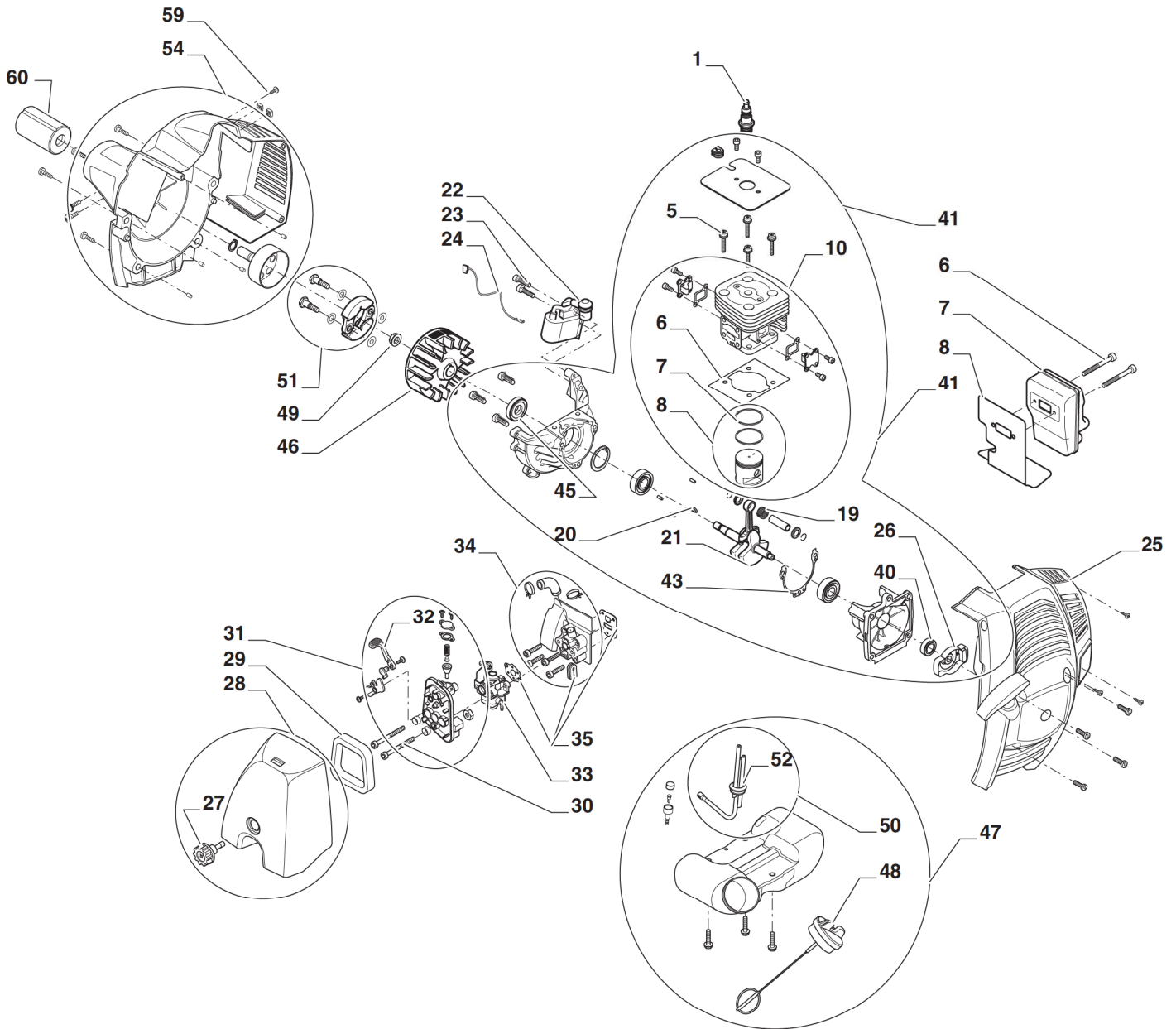


TR 27J



2009
DC002.0
1 / 2

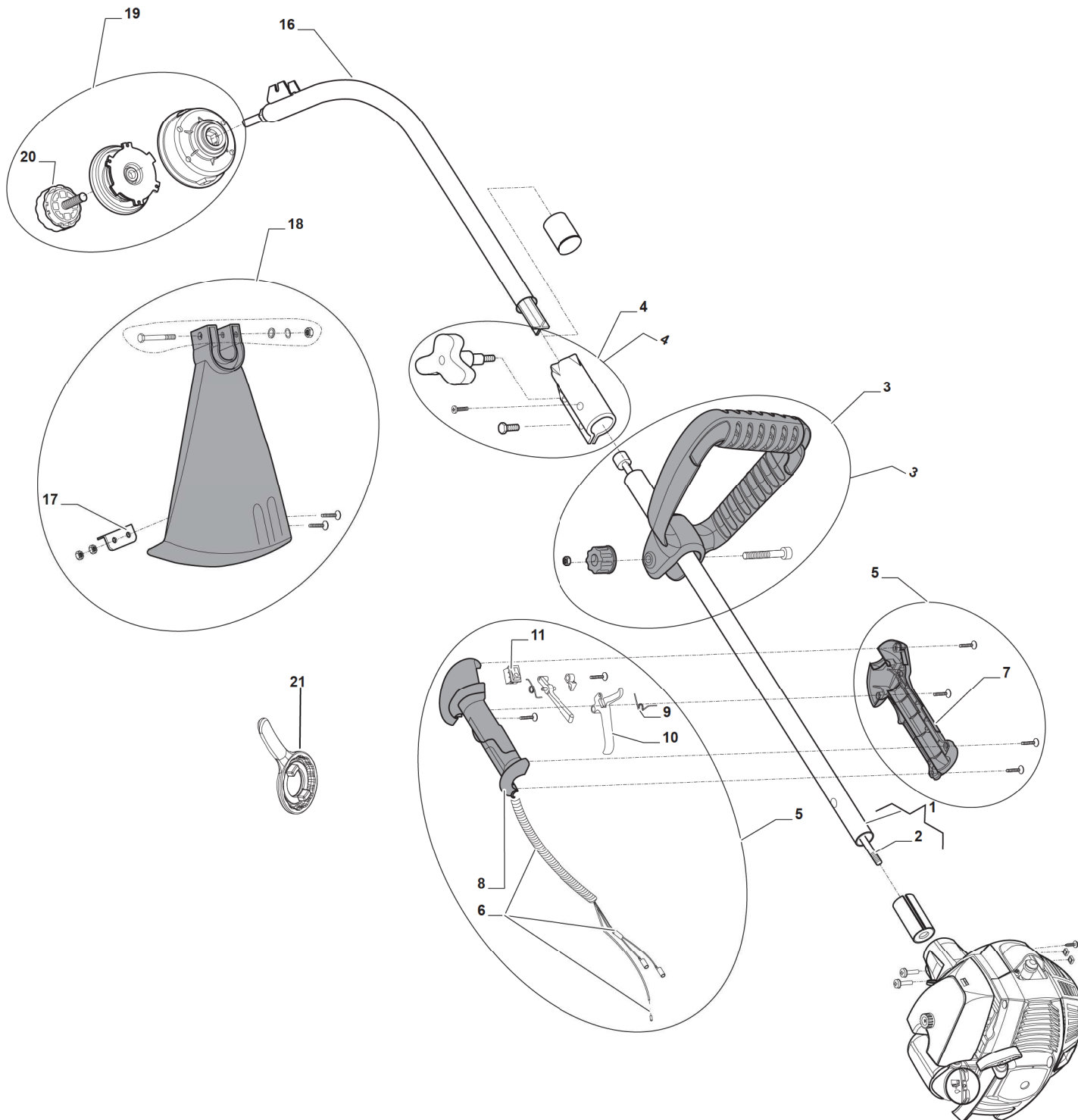


POS.	CODE	Q.TY	DESCRIZIONE	DESCRIPTION	DESCRIPTION	BESCHREIBUNG	REMARKS
1	23051000/0	1	CANDELA	SPARK PLUG	BOUGIE	ZÜNDKERZE	
5	123878049/0	1	VITE	SCREW	VIS	SCHRAUBE	
6	123878050/0	1	VITE	SCREW	VIS	SCHRAUBE	
7	183740005/0	1	SILENZIATORE	MUFFLER	SILENCIEUX	SCHALLDÄMPFER	
8	123280025/0	1	GUARNIZIONE SILENZIA- TORE	GASKET	JOINT SILENCIEUX	DICHTUNG SCHALLDÄM- PFER	
10	183070003/0	1	ASS. CILINDRO - PISTO- NE	CYLINDER - PISTON ASS'Y	ENS.CYLINDRE-PISTON	SET ZYLINDER-KOLBEN	
13	123280026/0	1	GUARNIZIONE CILINDRO	CYLINDER GASKET	JOINT CYLINDRE	ZYLINDERDICHTUNG	
14	123204004/0	2	FASCIA ELASTICA	PISTON RING	COLLIER ÉLASTIQUE	KOLBENRING	
15	183590003/0	1	ASS. PISTONE	PISTON ASS'Y	ENS.PISTON	SET KOLBEN	
19	123072001/0	1	ASTUCCIO A RULLI	NEEDLE BEARING	ROUL. À AIGUILLES	WALZENROHR	
20	123072000/0	1	LINGUETTA VOLANO	FLYWHEEL KEY	CLAVETTE VOLANT	LASCHE SCHWUNGRAD	
21	123020019/0	1	LINGUETTA VOLANO	FLYWHEEL KEY	LANGUETTE VOLANT	LASCHE SCHWUNGRAD	
22	123044006/0	1	BOBINA ELETTRONICA	ELECTR. COIL	BOBINE ÉLECTRONIQUE	ELEKTRONIKSPULE	
23	123878051/0	1	VITE	SCREW	VIS	SCHRAUBE	
24	123065033/0	1	CAVO BOBINA	SPARK PLUG CABLE	CÂBLE BOUGIE	SPULENDRAHT	
25	183037001/0	1	ASS. AVVIATORE GIALLO	STARTER ASSY YELLOW	DÉMARREUR JAUNE	SET STARTER GELB	
-	183037002/0	1	ASS. AVVIATORE ROSSO	STARTER ASSY RED	DÉMARREUR ROUGE	SET STARTER ROT	
26	123082001/0	1	COPPA AVVIAMENTO	STARTER CUP	COUPE DÉMARREUR	STARTERGEHÄUSE	
27	123593505/0	1	POMELLO	KNOB	BOUTON	KNAUF	
28	183090003/0	1	COPRIFILTRO, GIALLO	FILTER COVER, YELLOW	COUVRE-FILTRE, JAUNE	FILTERABD. GELB	
-	183090004/0	1	COPRIFILTRO, ROSSO	FILTER COVER, RED	COUVRE-FILTRE, ROUGE	FILTERABD. ROT	
29	123220008/0	1	FILTRO ARIA	AIR FILTER	FILTRE À AIR	LUFTFILTER	
30	123878052/0	1	VITE	SCREW	VIS	SCHRAUBE	
31	383781001/0	1	SUPP. FILTRO ARIA	AIR FILTER HOLDER	SUPP. FILTRE À AIR	HALTER LUFTFILTER	
32	123315077/0	1	LEVA ARIA	CHOKER LEVER	LEVIER AIR	CHOKERHEBEL	
33	123054021/0	1	CARBURATORE	CARBURETTOR	CARBURATEUR	VERGASER	
34	383073501/0	1	ASS. COLLETTORE ASPI- RAZIONE	INTAKE MANIFOLD ASSY	COLLECTEUR ASPIRA- TION	KOLLEKTOR ANSAUGUNG	
35	183303511/0	1	ASS. GUARNIZIONI	GASKET ASS'Y	GASKET ASS'Y	SET DICHTUNGEN	
40	119035154/0	1	ANELLO DI TENUTA	SEAL RING	ANNEAU DE TENUE	DICHTRING	
41	183275301/0	1	SHORT BLOCK MOTORE	ENGINE SHORT BLOCK	SHORT BLOCK MOTEUR	SHORT BLOCK MOTOR	
43	123280027/0	1	GUARNIZIONE CARTER	CRANKCASE GASKET	GARNITURE CARTER	GEHÄUSEDICHTUNG	
45	112020001/0	1	ANELLO DI TENUTA	SEAL RING	ANNEAU DE TENUE	DICHTRING	
46	183880004/0	1	ASS. VOLANO C/MASSE	FLYWHEEL ASS.Y	ENS. VOLANT	SCHWUNGRAD MAGNET	
47	183733004/0	1	ASS. SERBATOIO MIX.	KIT FUEL TANK	ENS.RÉSERVOIR MÉ- LANGE	SET TREIBSTOFFTANK	
48	123790016/0	1	ASS. TAPPO MISCELA	FUEL CAP ASSY	BOUHCON MÉLANGE	SET DECKEL TREIBSTOFF	
49	123120004/0	1	DADO	NUT	ECROU	MUTTER	
50	383240001/0	1	ASS. GOMMINO PASSA- TUBI	GROMMET ASSY	ENS.RONDELLE CAOU- TCHOU	SET GUMMIRINGE	
51	183215003/0	1	ASS. FRIZIONE	CLUTCH ASS.Y	FRICTION	SET KUPPLUNG	
52	183520001/0	1	PESCANTE MISCELA	INTAKE FILTER	FILTRE D'ASPIRATION	TAUCHSONDE	
54	383785001/0	1	ASS.SUPPORTO TRASM., GIALLO	SUPPORT TRASM.ASSY, YELLOW	ENS.SUPPORT TRANSM., JAUNE	GETRIEBEPLATTFORM, GELB	
-	383785002/0	1	ASS.SUPPORTO TRASM., ROSSO	SUPPORT TRASM.ASSY, RED	ENS.SUPPORT TRANSM., ROUGE	GETRIEBEPLATTFORM, ROT	
59	6980624	1	VITE	SCREW	VIS	SCHRAUBE	
60	123275020/0	1	GOMMINO	GROMMET	CAOUTCHOU	GUMMI	

TR 27J



2009
DC002.0
1 / 2



POS.	CODE	Q.TY	DESCRIZIONE	DESCRIPTION	DESCRIPTION	BESCHREIBUNG	REMARKS
1	383869060/0	1	ASS.TUBO TRASMISSIONE	TRANSMISSION PIPE ASS.Y	ENS.TUBE TRANSM.	SCHAFTGRUPPE	
2	123020018/0	1	ASS.ALBERO TRASMISSIONE	TRANSM.SHAFT ASS.Y	ENS.ARBRE TRANSM.	MOTORWELLENEINHEIT	
3	383300016/0	1	IMPUGNATURA ANTERIORE	FRONT HANDLE	POIGNÉE AVANT	HANDGRIFF VORNE	
4	383260001/0	1	GIUNTO DI CONNESSIONE	JOINT CHAIR ASS'Y	ENS.JONCTION ARBRE TRANS.	KUPPLUNGSTEIL	
5	383300017/0	1	ASS. IMPUGNATURA	HANDLE ASS.Y	ENS.POIGNÉE	SET HANDGRIFF	
6	183065012/0	1	ASS. CAVI + GUAINA	CABLES ASS.Y + SHEATH	CÂBLE AVEC GAINE	KABEL MIT MANTEL	
7	123700054/0	1	IMPUGNATURA DESTRA	RIGHT HANDGRIP	BRANCHE DRO.	RECHTE GRIFF	
8	123700055/0	1	IMPUGNATURA SINISTRA	LEFT HANDGRIP	BRANCHE GAU.	LINKE GRIFF	
9	123430578/0	1	MOLLA LEVA ACCELERATORE	SPRING	RESSORT	FEDER GASHEBEL	
10	123315076/0	1	LEVA ACCELERATORE	THROTTLE LEVER	LEVIER ACCÉLÉRATEUR	GASHEBEL	
11	6980206	1	INTERRUTTORE STOP	STOP SWITCH	INTERRUPTEUR D'ARRÊT	STOP-SCHALTER	
16	383869061/0	1	ASS. TUBO TRASMISS. E ALBERO FLEX.	ASSY TRANSM. TUBE+FLEX	ENS.TUBE TRANSM.+FLEX	SET ÖLLEITUNG M.VENTIL +FLEX	
17	6980215	1	LAMIERINO TAGLIAFILO	KIT, KNIFE	KIT, KNIFE	DRAHTSCHERENBLECH	
18	383465004/0	1	ASS. PARASPRUZZI	SAFETY COVER ASS.Y	ENS. CAPOT ANTI-PROJECTIONS	SET SPRITZSCHUTZ	
19	383820503/0	1	ASS. TESTINA A FILI	CUTTING LINE ASSY	ENS. TÊTE FILS	SET SCHNEIDEKOPF	
20	383593502/0	1	ASS. POMELLO	KNOB ASS'Y	BOUTON	SET KNAUF	
21	123070009/0	1	CHIAVE TESTINA	NYLON HEAD KEY	CLEF	SCHLUSSEL	