



*Green Passion*

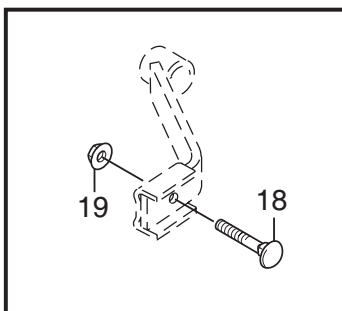
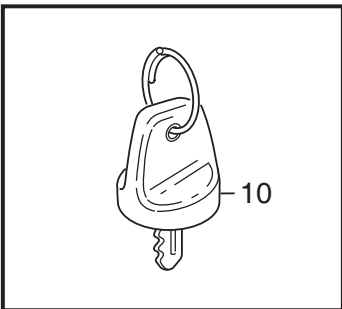
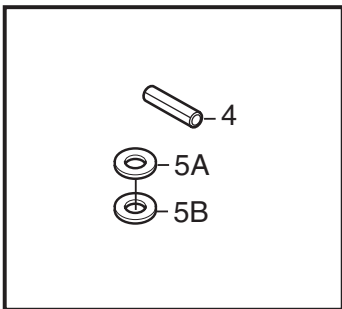
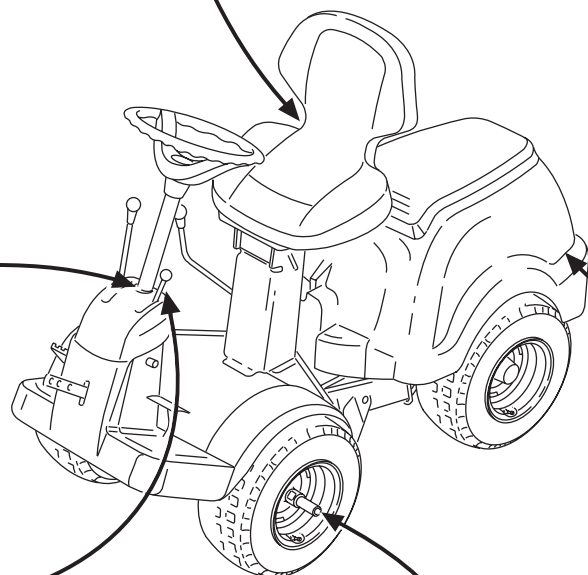
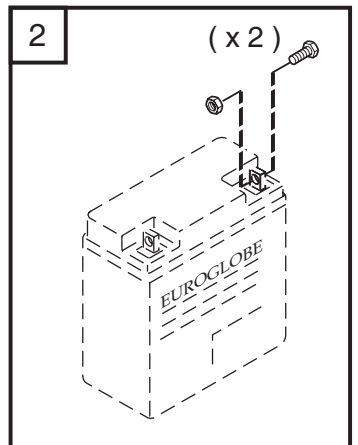
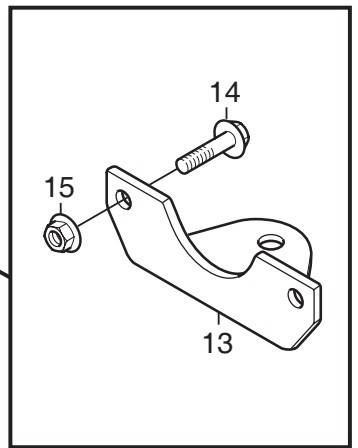
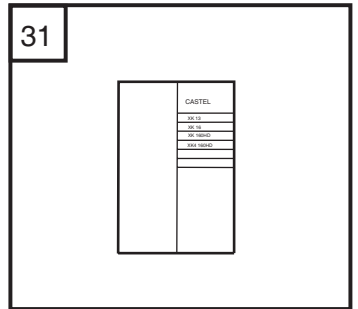
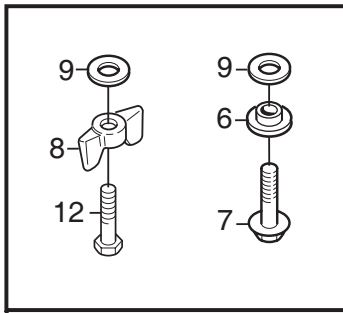
# Illustrated Parts List

**XK 13-XK 16-XK 160HD-XK4 160HD**  
**Model Year 2007**

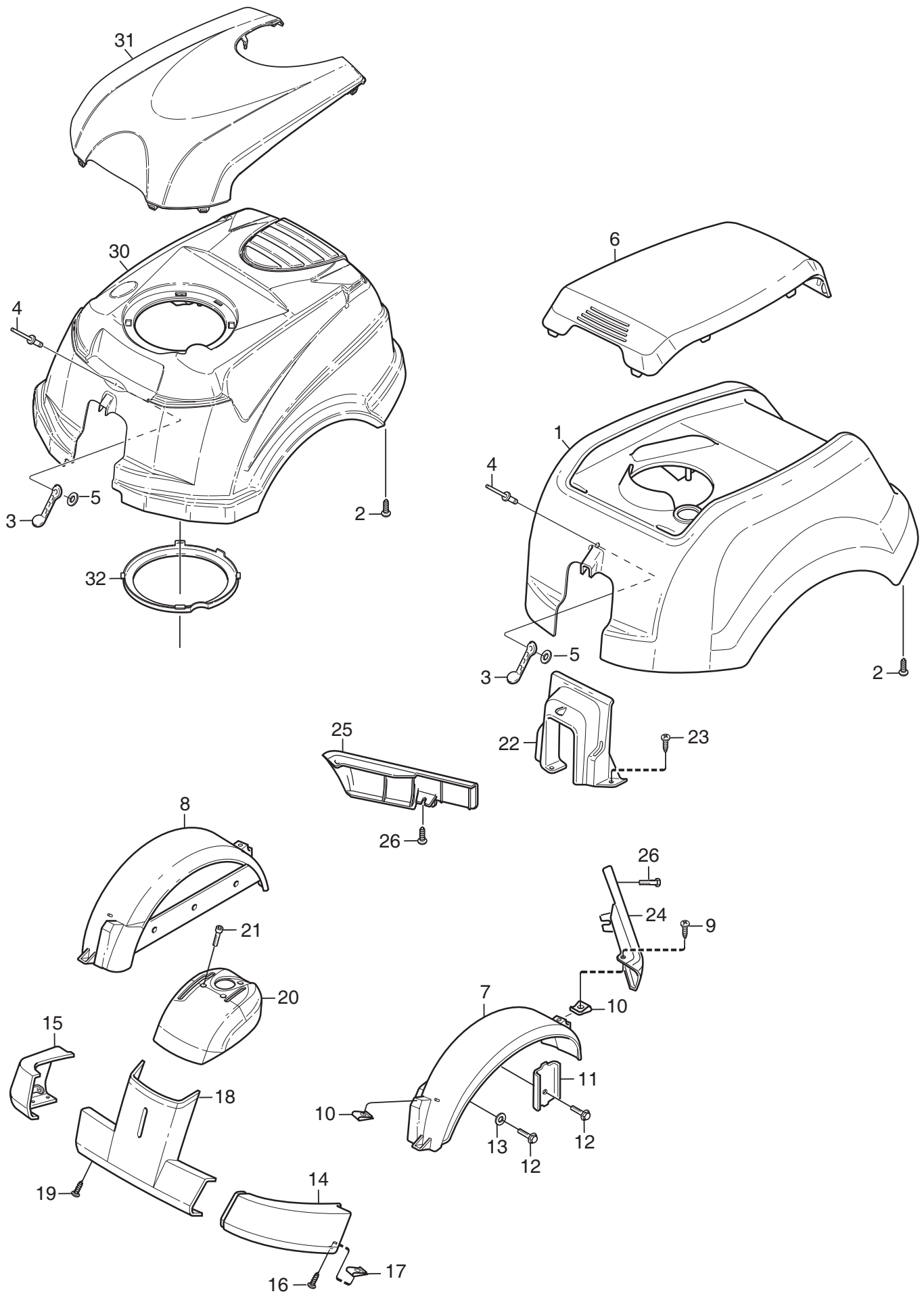
- Use GLOBAL GARDEN PRODUCT Genuine Spare Parts specified in the parts list for repair and/or replacement.
- The contents described in the parts list may change due to improvement.
- The drawings of the spare parts are only indicative and might not represent the part in question exactly.
- The indications "right" - "left" - "front" - "rear" refer to the position of the operator when using the machine.
- When placing orders of parts for repair and/or replacement, make sure that the illustrated parts list is the one applying to the machine's year of manufacture, as shown on the identification plate attached to the machine.

COPYRIGHT by GLOBAL GARDEN PRODUCTS

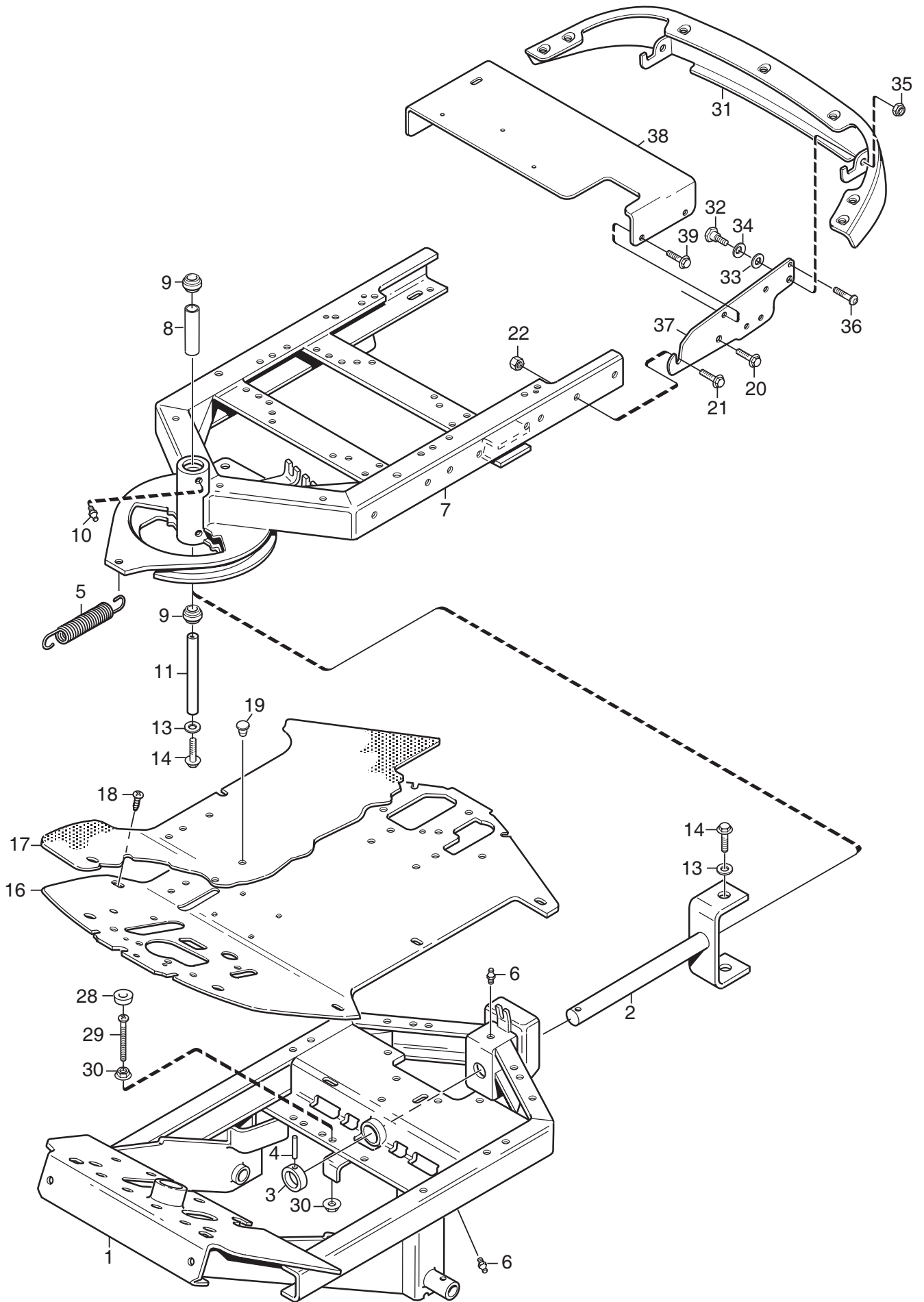
All rights reserved. No part of this material may be reproduced or transmitted, in any form or by any means, electronic or mechanical, including photocopying, recording or by any information storage and retrieval system, without permission in writing from GLOBAL GARDEN PRODUCTS.



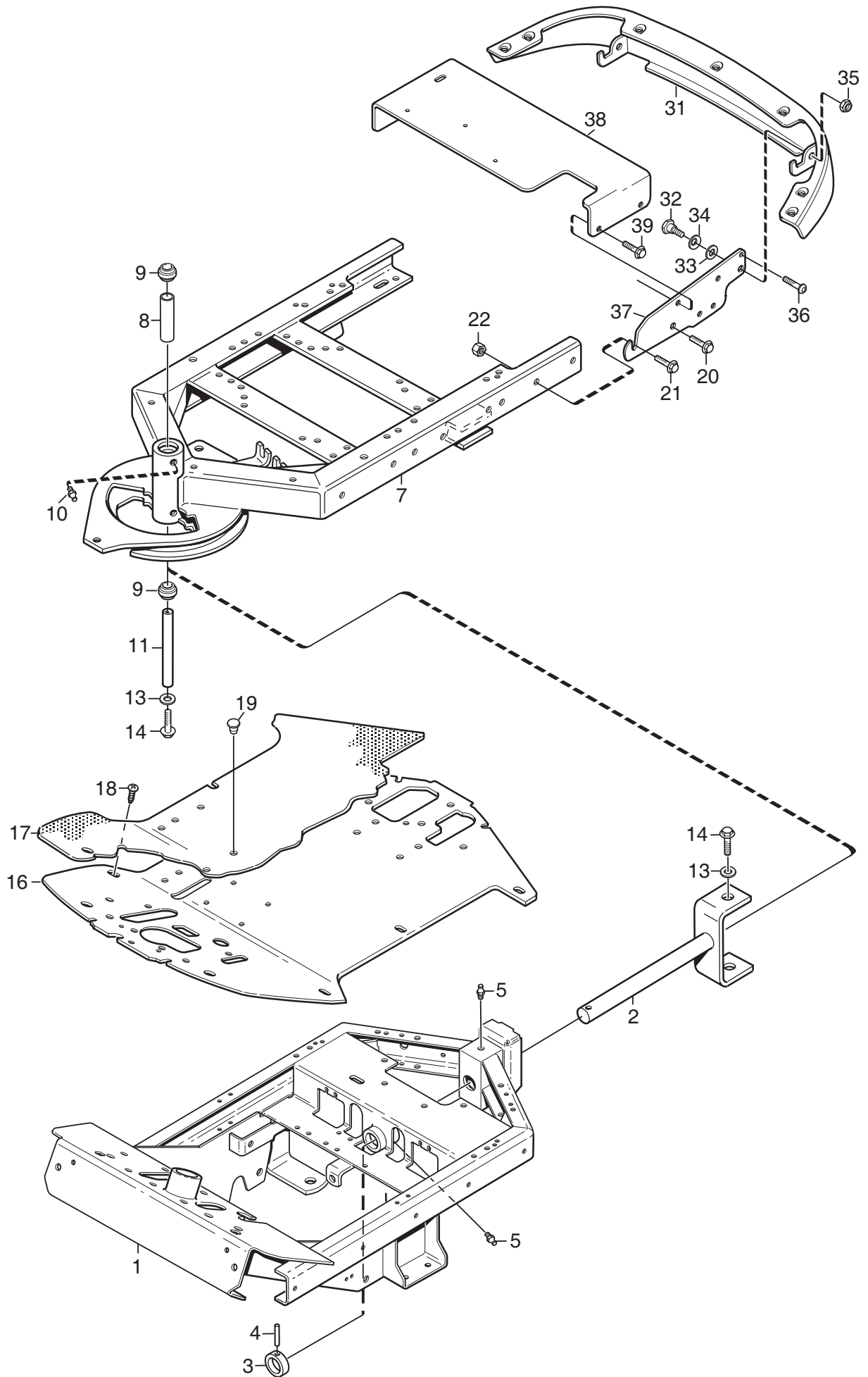
Ausgabe Issue 2007-32		Bild Nr Picture No C138		XK 13- XK 16 XK 160HD- XK4 160HD MONTAGETEILE		XK 13- XK 16 XK 160HD- XK4 160HD ASSEMBLY PARTS		Seite Page 46	
Pos. Fig.	Anzahl/Quantity				Artikel Nr. Part No	Bezeichnung	Description	Satz Kit	Anmerkung Notes
	6105 6106 6107	6103 6104							
	2	1	1		1134-6113-01	Batterieschrauben.....	Battery screws .....		
	4	1	1		9595-0262-00	Spannstift .....	Locating pin .....		
	5A	1	1		9699-0103-02	Scheibe.....	Flat washer.....		0.5 mm
	5B	1	1		9699-0114-02	Scheibe.....	Flat washer.....		1.0 mm
	6	2	2		1134-4185-01	Flanschscheibe .....	Flange washer .....		
	7	2	2		9959-0820-16	Schraube .....	Screw .....		
	8	2	2		1134-4481-01	Flügelmutter .....	Wing nut .....		
	9	4	4		9699-0056-02	Scheibe.....	Flat washer.....		
	10	2	2		1134-4734-01	Zündschlüssel .....	Ignition key .....		
	12	2	2		9997-0820-16	Schraube .....	Screw.....		
	13	1	1		1134-5512-01	Anhängerplatte .....	Towing plate.....		
	14	2	2		9959-0820-16	Schraube .....	Screw.....		
	15	2	2		9739-0831-22	Mutter .....	Nut .....		
	18	2	2		9898-1035-16	Schraube .....	Screw.....		
	19	2	2		9739-1031-22	Mutter .....	Nut .....		
X	31	1			8211-0062-70	Bedienungsanleitung .....	Owner's manual .....		
X	31		1		8211-0083-70	Bedienungsanleitung .....	Owner's manual .....		
X	31		1		8211-0607-70	Montageanweisung .....	Assy instructions .....		



Ausgabe Issue 2007- 32		Bild Nr Picture No C139			XK 13- XK 16 XK 160HD- XK4 160HD KAROSSERIE		XK 13- XK 16 XK 160HD- XK4 160HD BODY WORK		Seite Page 48	
Pos. Fig.	Anzahl/Quantity				Artikel Nr. Part No	Bezeichnung	Description	Satz Kit	Anmerkung Notes	
	6103 6104	6106 6107	6105							
	1				1134-5263-03	Motorhaube- rot.....	Engine hood- red.....			
	2	7	7	7	9838-9530-12	Schraube .....	Screw .....			
	3	1	1	1	1134-2143-01	Gummistropp .....	Rubber strap .....			
	4	1	1	1	9632-0516-00	Niet.....	Pop rivet .....			
	5	1	1	1	9699-0120-02	Scheibe.....	Washer.....			
	6	1			1134-5264-03	Motordeckel- schwarz.....	Engine cover- black .....			
	7	1			1134-5308-03	Kotflügel L- schwarz .....	Mud guard LH- black.....			
X	7		1	1	1134-5308-06	Kotflügel L- grau .....	Mud guard LH- grey .....			
X	8	1			1134-5308-04	Kotflügel R- schwarz.....	Mud guard RH- black .....			
	9	4	4	4	1134-5308-05	Kotflügel R- grau.....	Mud guard RH- grey.....			
	10	4	4	4	9893-0616-16	Schraube .....	Screw .....			
	11	2	2	2	1134-4176-01	Klemme .....	Clips .....			
	12	6	6	6	1134-0225-00	Stützblech.....	Support plate .....			
	13	4	4	4	1134-0225-00	Schraube .....	Screw .....			
	14	1			9945-0816-16	Scheibe.....	Flat washer.....			
X	14		1	1	1134-5306-03	Stoßfänger, vordere- L .....	Bumper, front- LH .....		Black	
	15	1			1134-5306-06	Stoßfänger, vordere- L .....	Bumper, front- LH .....		Grey	
X	15		1	1	1134-5306-04	Stoßfänger, vordere- R.....	Bumper, front- RH .....		Black	
	16	4	4	4	1134-5306-05	Stoßfänger, vordere- R.....	Bumper, front- RH .....		Grey	
	17	2	2	2	9893-0616-16	Schraube .....	Screw .....			
	18	1	1	1	1134-4176-01	Klemme .....	Clips .....			
	19	2	2	2	1134-5305-02	Vorderteil untere- rot .....	Front lower- red.....			
	20			1	9893-0616-16	Schraube .....	Screw .....			
	20	1	1		1134-5320-03	Vorderteil obere- rot .....	Front upper- red .....			
	21	2	2	2	1134-5320-04	Vorderteil obere- rot .....	Front upper- red .....			
	22	1	1	1	9946-0525-16	Schraube .....	Screw .....			
	23	3	3	3	1134-6241-01	Haubenstütz.....	Hood support.....			
	24	1			9893-0616-16	Schraube .....	Screw .....			
X	24		1	1	1134-3970-06	Leiste L- schwarz.....	Moulding- LH, black .....			
	25	1			1134-3970-10	Leiste L- grau.....	Moulding- LH, grey .....			
X	25		1	1	1134-3970-04	Leiste R- schwarz .....	Moulding- RH, black.....			
	26	2	2	2	1134-3970-09	Leiste- R, grau .....	Moulding- RH, grey .....			
X	30		1	1	9893-0616-16	Schraube .....	Screw .....			
X	31		1	1	1134-5744-03	Motorhaube- rot.....	Engine hood- red.....			
X	31		1	1	1134-5743-03	Motordeckel- grau .....	Engine cover- grey .....			
X	32		1	1	1134-6116-06	Luftring.....	Air duct .....			



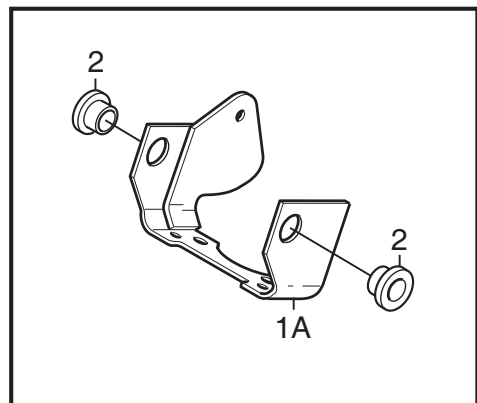
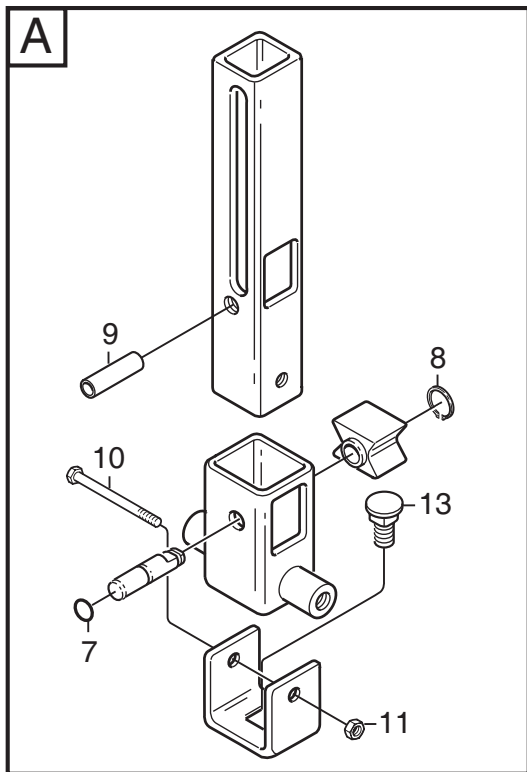
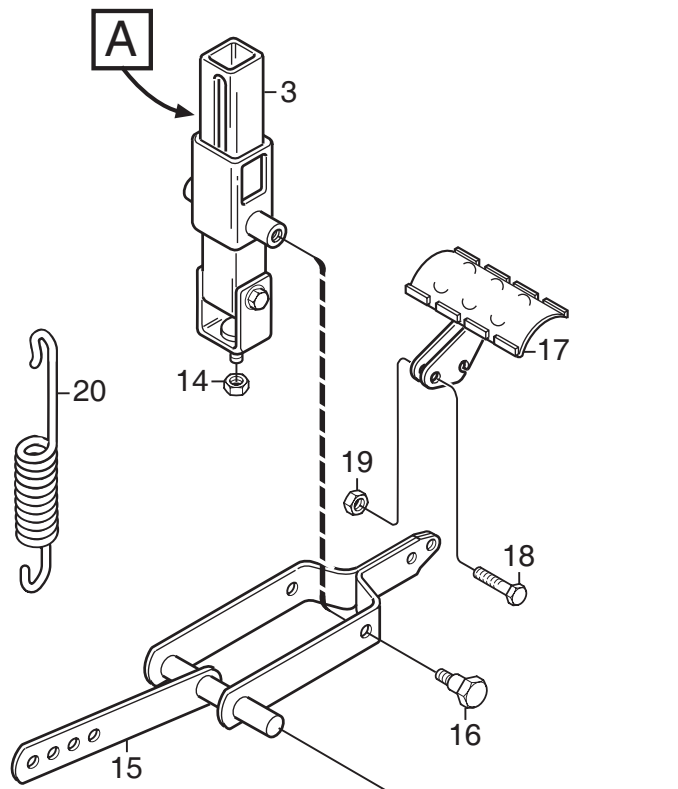
Ausgabe Issue 2007- 32		Bild Nr Picture No C140		XK 13- XK 16 XK 160HD RAHMEN 2WD		XK 13- XK 16 XK 160HD FRAME 2WD		Seite Page 50	
Pos. Fig.	Anzahl/Quantity			Artikel Nr. Part No	Bezeichnung	Description	Satz Kit	Anmerkung Notes	
	6103	6105	6106						
X	1	1	1	1	1134- 5315- 03	Rahmen- vordere .....	Frame- front .....		
	2	1	1	1	1134- 3963- 02	• Gabel .....	• Clevis .....		
	3	1	1	1	1134- 0031- 00	• Lenkachsenanschlag .....	• Pivot shaft stop .....		
	4	1	1	1	9595- 0262- 00	• Spannstift .....	• Locating pin .....		
	5	1	1	1	1134- 2171- 01	Feder .....	Spring .....		
	6	2	2	2	9501- 0500- 00	Schmiernippel .....	Grease joint .....		
	7	1	1	1	1134- 6081- 01	Rahmen- hintere .....	Frame- rear .....		
	8	1	1	1	1134- 5705- 01	• Distanz .....	• Spacer .....		
	9	2	2	2	9547- 0001- 00	• Lager .....	• Bearing .....		
	10	2	2	2	9501- 0500- 00	• Schmiernippel .....	• Grease joint .....		
	11	1	1	1	1134- 5988- 01	Zentrumachse .....	Centre shaft .....		
	13	2	2	2	9699- 0035- 02	Scheibe .....	Flat washer .....		
	14	2	2	2	9959- 1025- 16	Schraube .....	Screw .....		
	16	1	1	1	1134- 5294- 01	Bodenblech .....	Floor plate .....		
	17		1		1134- 5513- 02	Bodenblechmatte .....	Floor mat .....		
	17	1		1	1134- 5514- 02	Bodenblechmatte .....	Floor mat .....		
	18	2	2	2	9893- 0616- 16	Schraube .....	Screw .....		
X	19	2		2	9403- 0048- 70	Propfen .....	Plug .....		
	20	2	2	2	9945- 0816- 16	Schraube .....	Screw .....		
	21	2	2	2	9959- 0820- 16	Schraube .....	Screw .....		
	22	2	2	2	9739- 0831- 22	Mutter .....	Nut .....		
	28	1	1	1	1134- 4975- 01	Gummidämpfer .....	Rubber block .....		
	29	1	1	1	9950- 0570- 12	Schraube .....	Screw .....		
	30	2	2	2	9739- 0531- 22	Mutter .....	Nut .....		
	31	1			1134- 5337- 01	Stoßfänger- hintere .....	Bumper- rear, black .....	Black	
X	31		1	1	1134- 5337- 03	Stoßfänger- hintere .....	Bumper- rear, grey .....	Grey	
	32	2	2	2	1134- 0240- 00	Ansatzbolzen .....	Shoulder screw .....		
	33	2	2	2	1134- 4242- 01	Distanzscheibe .....	Spacer washer .....		
	34	2	2	2	9665- 0002- 00	Tellerscheibe .....	Bowed washer .....		
	35	2	2	2	9747- 0831- 02	Mutter .....	Lock nut .....		
	36	2	2	2	9943- 0516- 16	Schraube .....	Screw .....		
	37	2	2	2	1134- 5345- 01	Halterung .....	Attachment .....		
	38	1	1	1	1134- 5344- 01	Batterieregal .....	Battery shelf .....		
	39	4	4	4	9945- 0816- 16	Schraube .....	Screw .....		



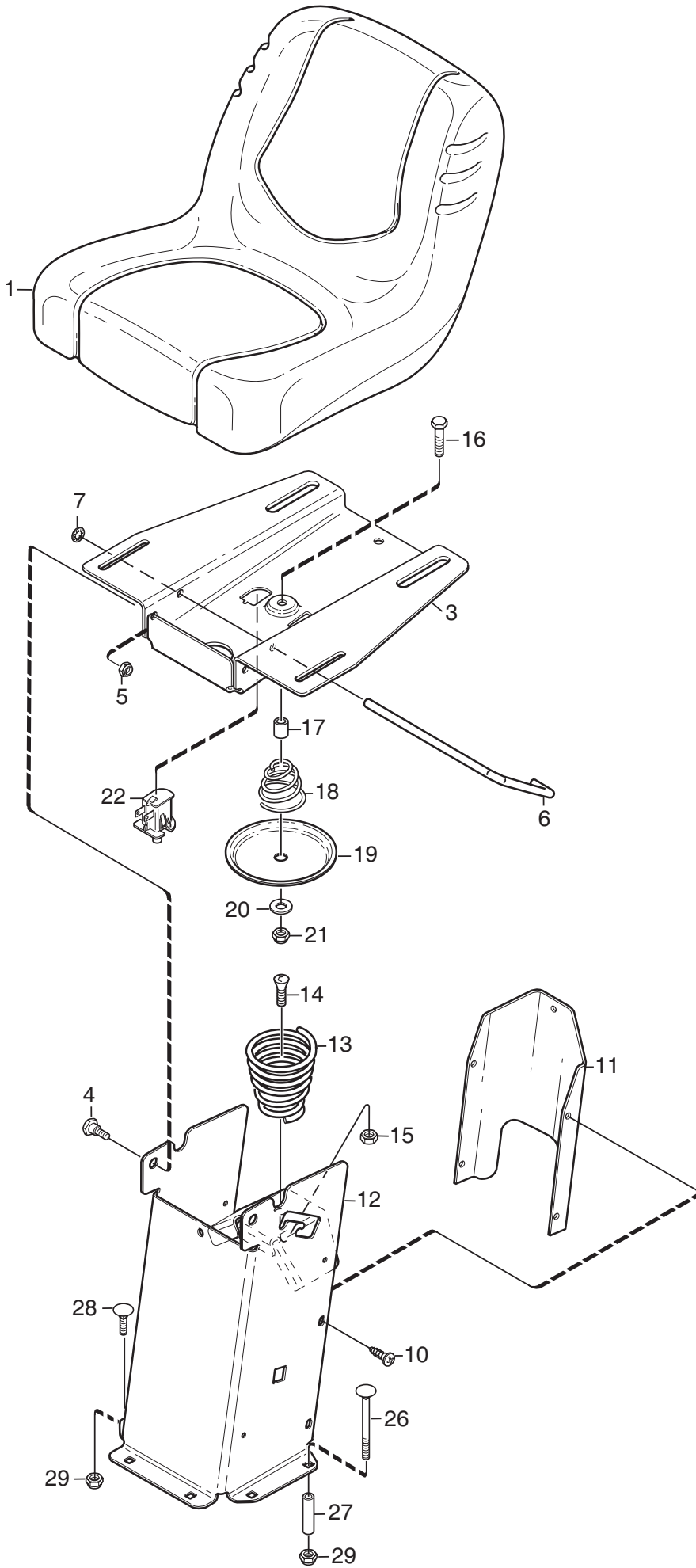
C141



Ausgabe Issue 2007- 32		Bild Nr Picture No C141		XK 16- XK4 160HD RAHMEN 4WD		XK 16- XK4 160HD FRAME 4WD		Seite Page 52	
Pos. Fig.	Anzahl/Quantity				Artikel Nr. Part No	Bezeichnung	Description	Satz Kit	Anmerkung Notes
	6104	6107							
X	1	1	1		1134- 5656- 02	Rahmen- vordere .....	Frame- front .....		
	2	1	1		1134- 3963- 02	• Gabel .....	• Clevis .....		
	3	1	1		1134- 0031- 00	• Lenkachsenanschlag .....	• Pivot shaft stop .....		
	4	1	1		9595- 0262- 00	• Spannstift .....	• Locating pin .....		
	5	2	2		9501- 0500- 00	• Schmiernippel .....	• Grease joint .....		
	7	1	1		1134- 6081- 01	Rahmen- hintere .....	Frame- rear .....		
	8	1	1		1134- 5705- 01	• Distanz .....	• Spacer .....		
	9	2	2		9547- 0001- 00	• Lager .....	• Bearing .....		
	10	2	2		9501- 0500- 00	• Schmiernippel .....	• Grease joint .....		
	11	1	1		1134- 5988- 01	Zentrumachse .....	Centre shaft .....		
	13	2	2		9699- 0035- 02	Scheibe .....	Flat washer .....		
	14	2	2		9959- 1025- 16	Schraube .....	Screw .....		
	16	1	1		1134- 5294- 01	Bodenblech .....	Floor plate .....		
X	17	1	1		1134- 6372- 04	Bodenblechmatte .....	Floor mat .....		
	18	2	2		9893- 0616- 16	Schraube .....	Screw .....		
X	19	2	2		9403- 0048- 70	Propfen .....	Plug .....		
	20	2	2		9945- 0816- 16	Schraube .....	Screw .....		
	21	2	2		9959- 0820- 16	Schraube .....	Screw .....		
	22	2	2		9739- 0831- 22	Mutter .....	Nut .....		
	31	1			1134- 5337- 01	Stoßfänger- hintere .....	Bumper- rear, black .....		Black Grey
X	31		1		1134- 5337- 03	Stoßfänger- hintere .....	Bumper- rear, grey .....		
	32	2	2		1134- 0240- 00	Ansatzbolzen .....	Shoulder screw .....		
	33	2	2		1134- 4242- 01	Distanzscheibe .....	Spacer washer .....		
	34	2	2		9665- 0002- 00	Tellerscheibe .....	Bowed washer .....		
	35	2	2		9747- 0831- 02	Mutter .....	Lock nut .....		
	36	2	2		9943- 0516- 16	Schraube .....	Screw .....		
	37	2	2		1134- 5345- 01	Halterung .....	Attachment .....		
	38	1	1		1134- 5344- 01	Batterieregal .....	Battery shelf .....		
	39	4	4		9945- 0816- 16	Schraube .....	Screw .....		

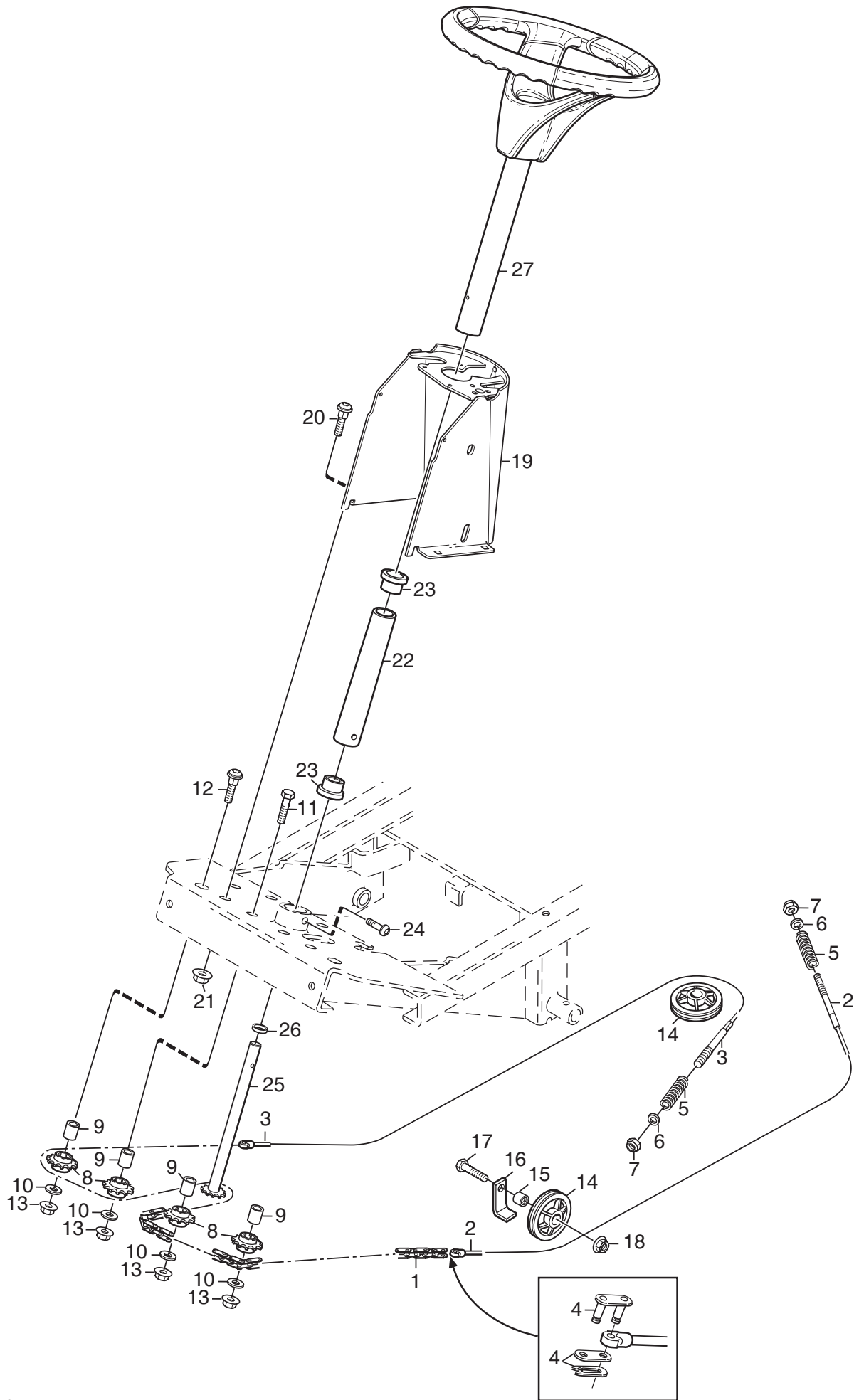


Ausgabe Issue 2007-32		Bild Nr Picture No C142		XK 13- XK 16 XK 160HD- XK4 160HD PEDALHEBER		XK 13- XK 16 XK 160HD- XK4 160HD PEDAL LIFT		Seite Page 54	
Pos. Fig.	Anzahl/Quantity			Artikel Nr. Part No	Bezeichnung	Description	Satz Kit	Anmerkung Notes	
	6105	6103 6104 6106 6107							
1A	1			1134-5462-01	Halterung.....	Bracket.....			
1B		1		1134-4117-01	Halterung.....	Bracket.....			
2	2	2		1134-2684-01	Lager.....	Bearing.....			
3	1	1		1134-4945-01	Hebesperre Kpl.....	Lift catch assy.....			
7	1	1		9404-0027-01	• O- ring.....	• O- ring.....			
8	1	1		9650-0039-04	• Schließring.....	• Lock ring.....			
9	1	1		9595-0276-01	• Spannstift.....	• Locating pin.....			
10	1	1		9997-0640-12	• Schraube.....	• Screw.....			
11	1	1		9747-0631-02	• Mutter.....	• Lock nut.....			
13	1	1		9897-0820-16	• Schraube.....	• Screw.....			
14	1	1		9747-0831-02	Mutter.....	Lock nut.....			
15	1	1		1134-4860-01	Hebegabel.....	Lift fork.....			
16	2	2		1134-0240-00	Ansatzbolzen.....	Shoulder screw.....			
17	1	1		1134-4938-01	Hebepedal.....	Lift pedal.....			
18	2	2		9997-0625-16	Schraube.....	Screw.....			
19	2	2		9739-0631-22	Mutter.....	Nut.....			
20	1	1		4231-0013-00	Feder.....	Spring.....			



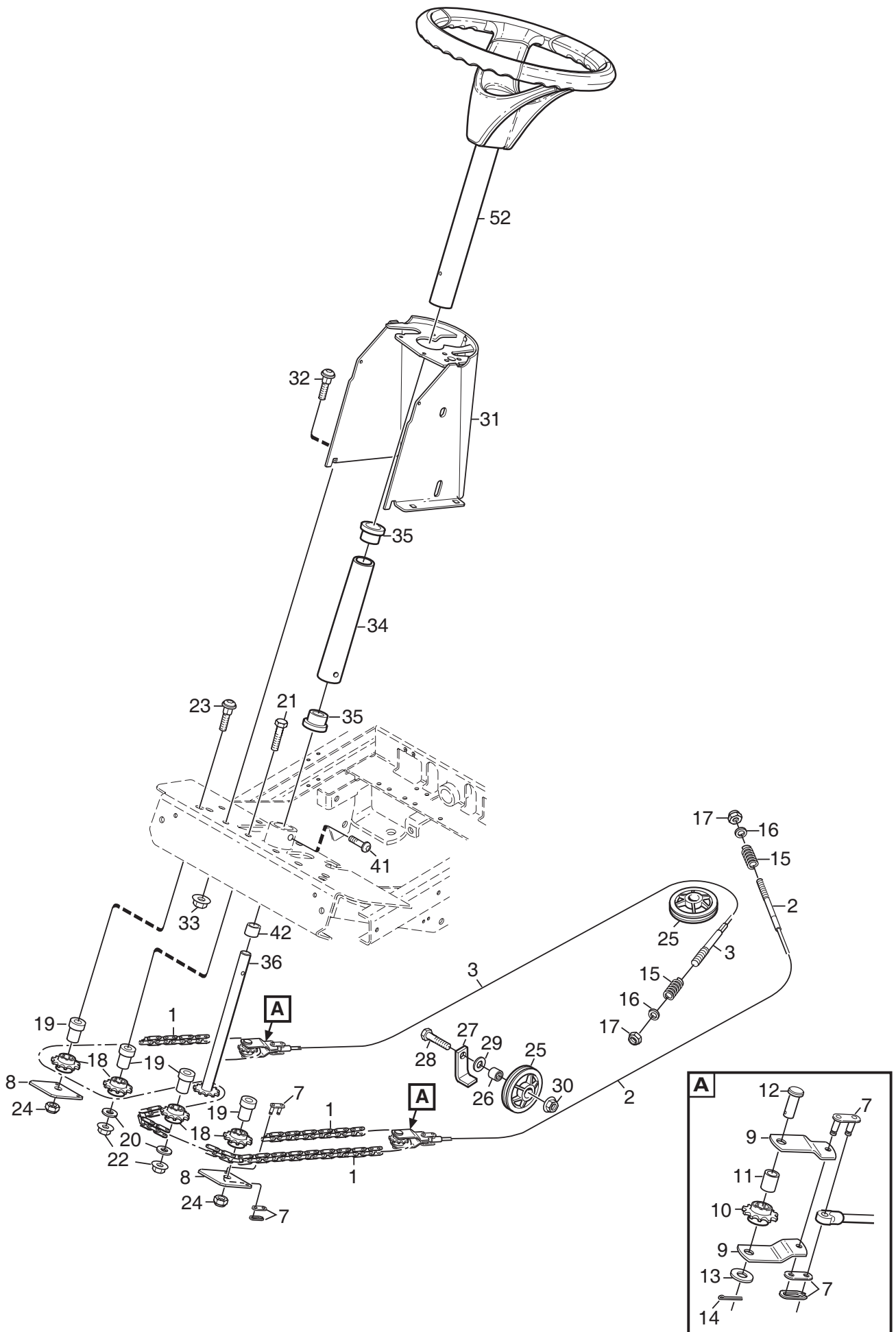
C143

Ausgabe Issue 2007-32		Bild Nr Picture No C143		XK 13- XK 16 XK 160HD- XK4 160HD SITZ		XK 13- XK 16 XK 160HD- XK4 160HD SEAT		Seite Page 56	
Pos. Fig.	Anzahl/Quantity			Artikel Nr. Part No	Bezeichnung	Description	Satz Kit	Anmerkung Notes	
	6103 6104	6105 6106 6107							
1	1	1		1134-5534-01	Sitz .....	Seat.....			
3	1	1		1134-5301-01	Sitzplatte.....	Seat plate .....			
4	2	2		1134-0240-00	Ansatzbolzen .....	Shoulder screw .....			
5	2	2		9747-0831-02	Mutter.....	Lock nut .....			
6	1	1		1134-5454-01	Sperre.....	Catch.....			
7	1	1		9675-0012-02	Verriegelungsscheibe .....	Locking washer .....			
10	4	4		9893-0616-16	Schraube .....	Screw.....			
11	1	1		1134-5300-02	Hinterplatte- rot .....	Rear plate- red.....			
12	1	1		1134-5296-06	Sitzkonsole- rot.....	Seat bracket- red .....			
13	1	1		1134-4256-01	Sitzfeder .....	Seat spring.....			
14	1	1		9924-1235-19	Schraube .....	Screw.....			
15	1	1		9747-1231-02	Mutter.....	Lock nut .....			
16	1	1		9997-0840-16	Schraube .....	Screw.....			
17	1	1		1134-1565-06	Distanz.....	Spacer .....			
18	1	1		1134-5302-01	Feder .....	Spring .....			
19	1	1		1134-5299-01	Druckplatte .....	Push plate .....			
20	1	1		9699-0090-02	Scheibe.....	Flat washer.....			
21	1	1		9747-0831-02	Mutter.....	Lock nut .....			
22	1	1		1134-3156-02	Schalter (grau) .....	Switch (grey) .....			
26	2	2		9897-0880-12	Schraube .....	Screw.....		L = 80 mm	
27	2	2		1134-1565-08	Distanz.....	Spacer.....			
28	4	4		9897-0820-16	Schraube .....	Screw.....		L = 20 mm	
29	6	6		9747-0831-02	Mutter.....	Lock nut.....			



C144

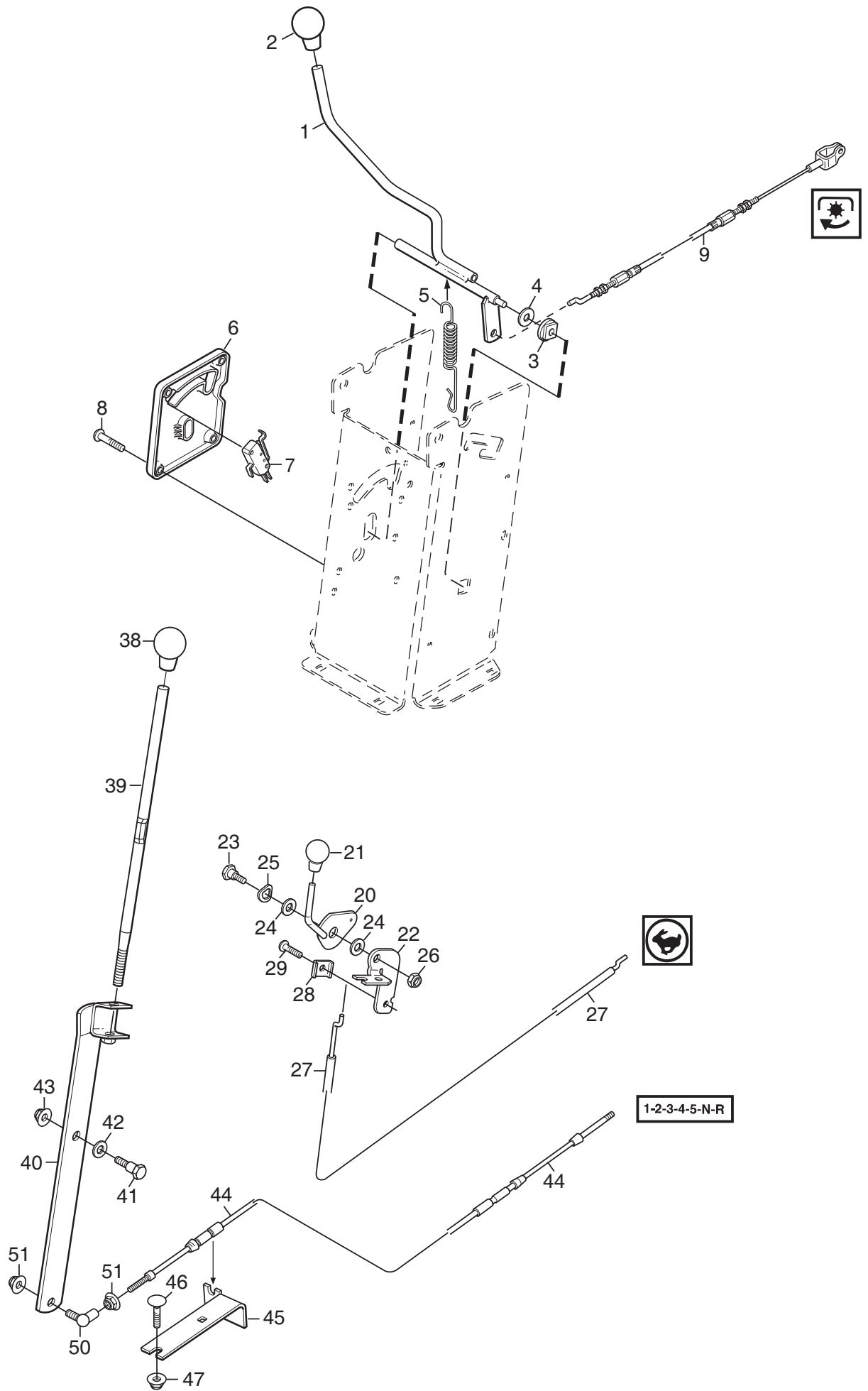
Ausgabe Issue 2007-32		Bild Nr Picture No C144		XK 13- XK 16 XK 160HD LENKUNG 2WD		XK 13- XK 16 XK 160HD STEERING 2WD		Seite Page 58	
Pos. Fig.	Anzahl/Quantity				Artikel Nr. Part No	Bezeichnung	Description	Satz Kit	Anmerkung Notes
	6103	6105 6106							
X	1	1	1		1134-6374-06	Kette .....	Chain.....		83 links
	2	1	1		1134-2817-01	Lenkseil- L .....	Steering cable- LH.....		
	3	1	1		1134-2817-02	Lenkseil- R .....	Steering cable- RH .....		
X	4	2	2		1134-2824-02	Kettenschloß.....	Chain lock .....		
	5	2	2		1134-3817-01	Druckfeder.....	Compression spring.....		
	6	2	2		9699-0090-02	Scheibe.....	Flat washer.....		
	7	2	2		9747-0831-02	Mutter.....	Lock nut .....		
	8	4	4		1134-2816-01	Kettenrad .....	Sprocket.....		
	9	4	4		1134-0041-02	Hülse .....	Idler wheel bush.....		
	10	4	4		9699-0035-02	Scheibe.....	Flat washer.....		
	11	2	2		9997-1050-16	Schraube .....	Screw .....		
	12	2	2		9897-1040-12	Schraube .....	Screw .....		
	13	4	4		9739-1031-22	Mutter .....	Nut .....		
	14	3	3		1134-0072-00	Seilrolle .....	Steering pulley .....		
	15	2	2		1134-0041-01	Hülse .....	Bushing.....		
	16	2	2		1134-3022-01	Halterung.....	Cable holder.....		
	17	2	2		9997-1030-16	Schraube .....	Screw .....		
	18	2	2		9739-1031-22	Mutter .....	Nut .....		
	19	1			1134-5349-02	Lenkkonsole- rot .....	Steering console- red .....		
	19		1		1134-5349-05	Lenkkonsole- grau .....	Steering console- grey .....		
	20	4	4		9897-0820-16	Schraube .....	Screw.....		
	21	4	4		9739-0831-22	Mutter .....	Nut .....		
	22	1	1		1134-1305-05	Lenkrohr- untere .....	Steering column-lower .....		
	23	2	2		1134-1901-01	Lager .....	Bearing.....		
	24	2	2		9893-0616-16	Schraube .....	Screw.....		
	25	1	1		1134-2821-03	Lenkstange .....	Steering rod .....		
	26	1	1		1134-2837-01	Distanz.....	Spacer.....		
	27	1	1		1134-5496-01	Lenkrad .....	Steering wheel .....		



C145

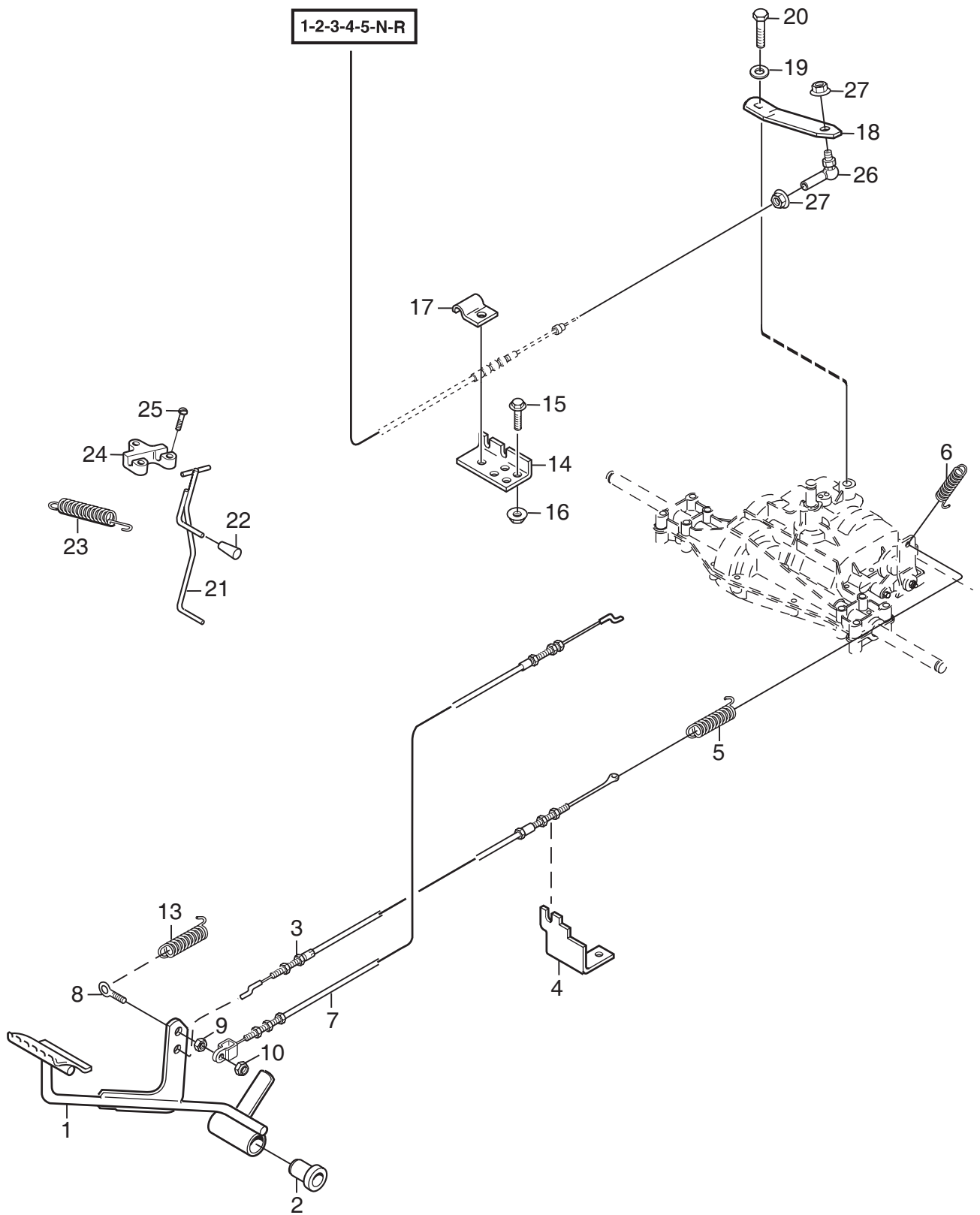


Ausgabe Issue 2007-32		Bild Nr Picture No C145		XK 16- XK4 160HD LENKUNG 4WD		XK 16- XK4 160HD STEERING 4WD		Seite Page 60	
Pos. Fig.	Anzahl/Quantity				Artikel Nr. Part No	Bezeichnung	Description	Satz Kit	Anmerkung Notes
	6104	6107							
X	1	1	1		1134-6374-10	Kette .....	Chain.....		129 links
	2	1	1		1134-2817-03	Lenkseil- L .....	Steering cable- LH.....		
	3	1	1		1134-2817-04	Lenkseil- R .....	Steering cable- RH .....		
X	7	4	4		1134-2824-02	Kettenschloß.....	Chain lock .....		
	8	2	2		1134-5652-01	Halter .....	Attachment.....		
	9	4	4		1134-5651-01	Bügel .....	Bracket.....		
	10	2	2		1134-2816-01	Kettenrad .....	Sprocket.....		
	11	2	2		1134-0041-02	Hülse .....	Idler wheel bush.....		
	12	2	2		1134-4817-01	Zapfen .....	Pin .....		
	13	2	2		9699-0035-02	Scheibe.....	Flat washer.....		
	14	2	2		9599-0054-02	Splint .....	Cotter pin .....		
	15	2	2		1134-3817-01	Druckfeder.....	Compression spring.....		
	16	2	2		9699-0090-02	Scheibe.....	Flat washer.....		
	17	2	2		9747-0831-02	Mutter .....	Lock nut .....		
	18	4	4		1134-2816-01	Kettenrad .....	Sprocket.....		
	19	4	4		1134-5653-01	Distanz.....	Spacer .....		
	20	2	2		9699-0035-02	Scheibe.....	Flat washer.....		
	21	2	2		9997-1060-12	Schraube .....	Screw.....		
	22	2	2		9739-1031-22	Mutter .....	Nut .....		
	23	2	2		9897-1060-12	Schraube .....	Screw.....		
X	24	2	2		9731-1031-22	Mutter .....	Nut .....		
	25	3	3		1134-0072-00	Seilrolle .....	Steering pulley .....		
	26	2	2		1134-0041-01	Hülse .....	Bushing.....		
	27	2	2		1134-3022-01	Halterung.....	Cable holder .....		
	28	2	2		9997-1040-16	Schraube .....	Screw.....		
	29	2	2		9699-0035-02	Scheibe.....	Flat washer.....		
	30	2	2		9739-1031-22	Mutter .....	Nut .....		
	31	1			1134-5349-02	Lenkkonsole- rot .....	Steering console- red .....		
	31		1		1134-5349-05	Lenkkonsole- grau .....	Steering console- grey .....		
	32	4	4		9897-0820-16	Schraube .....	Screw.....		
	33	4	4		9739-0831-22	Mutter .....	Nut .....		
	34	1	1		1134-1305-05	Lenkrohr- untere .....	Steering column-lower .....		
	35	2	2		1134-1901-01	Lager .....	Bearing.....		
	36	1	1		1134-2821-05	Lenkstange .....	Steering rod .....		
	41	2	2		9893-0616-16	Schraube .....	Screw.....		
	42	1	1		1134-2837-03	Distanz.....	Spacer.....		
	52	1	1		1134-5496-01	Lenkrad .....	Steering wheel .....		

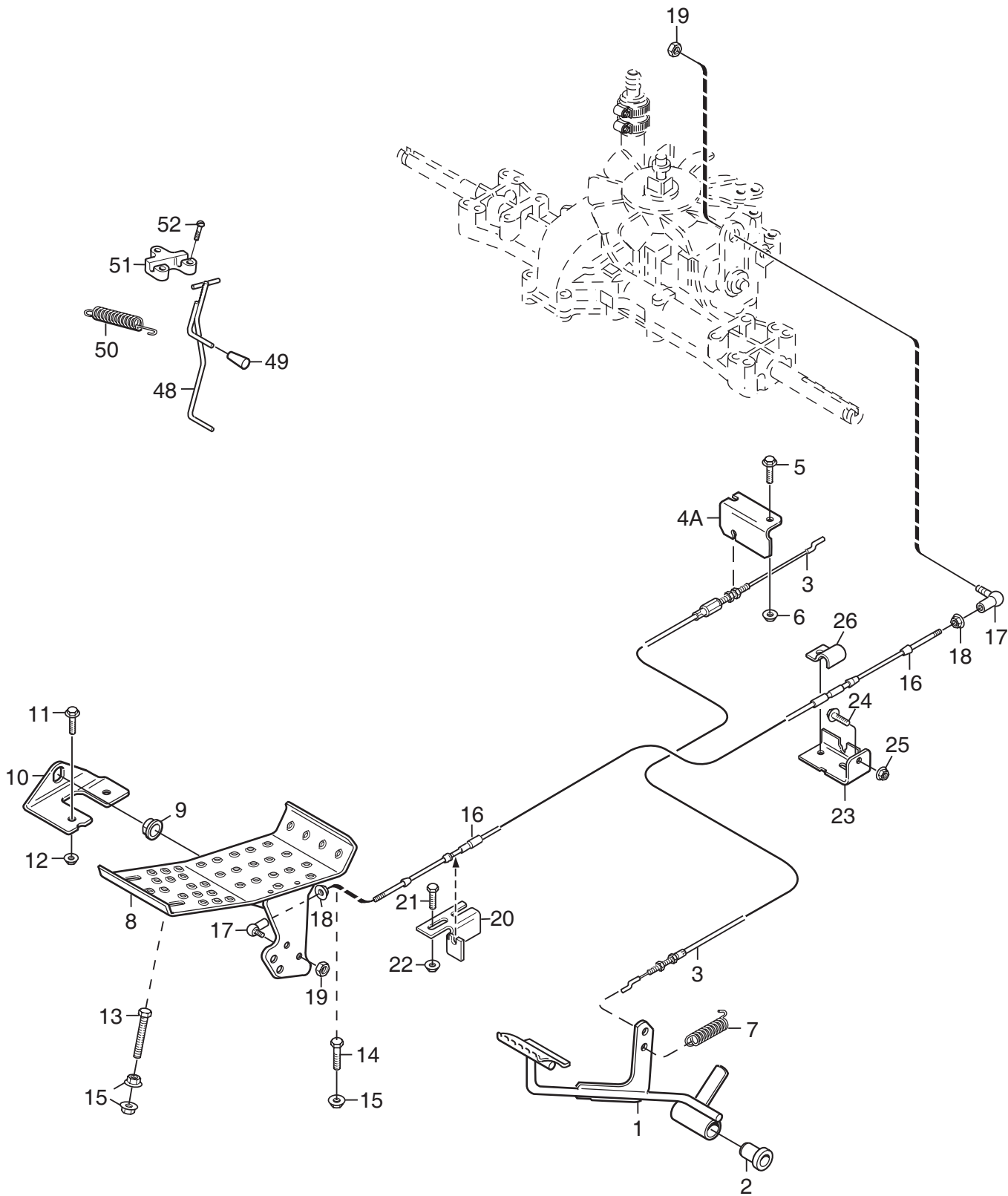


C146

Ausgabe Issue 2007- 32		Bild Nr Picture No C146		XK 13- XK 16 XK 160HD- XK4 160HD HANDREGULIERUNG		XK 13- XK 16 XK 160HD- XK4 160HD HAND CONTROLS		Seite Page 62	
Pos. Fig.	Anzahl/Quantity			Artikel Nr. Part No	Bezeichnung	Description	Satz Kit	Anmerkung Notes	
	6105	6103 6104 6106 6107							
X 1	1	1		1134- 6301- 01	Einkupplungshebel .....	Engagement lever .....			
2	1	1		1134- 2551- 01	Knopf .....	Knob .....			
3	1	1		1134- 3790- 02	Lager .....	Bearing .....			
4	1	1		9699- 0090- 02	Scheibe .....	Flat washer .....			
5	1	1		4231- 0013- 00	Feder .....	Spring .....			
6	1	1		1134- 5368- 01	Panel .....	Dashboard .....			
7	1	1		9400- 0312- 01	Schalter .....	Micro switch .....			
8	4	4		9946- 0525- 16	Schraube .....	Screw .....			
9	1	1		1134- 3573- 05	Regulierdraht .....	Control cable .....			
20	1	1		1134- 5465- 01	Gasregulierung .....	Throttle lever .....			
21	1	1		1134- 4078- 01	Knopf .....	Knob .....			
22	1	1		1134- 5464- 01	Halterung .....	Bracket .....			
23	1	1		1134- 0240- 00	Ansatzbolzen .....	Shoulder screw .....			
24	2	2		1134- 4242- 01	Distanzscheibe .....	Spacer washer .....			
25	1	1		9694- 0001- 00	Scheibe .....	Washer .....			
26	1	1		9747- 0831- 02	Mutter .....	Lock nut .....			
X 27	1	1		1134- 4197- 03	Gasdraht .....	Throttle cable .....			
28	1	1		9500- 9991- 00	Drahtklemme .....	Cable clamp .....			
29	1	1		9943- 0516- 16	Schraube .....	Screw .....			
38	1			1134- 2551- 01	Knopf .....	Knob .....			
39	1			1134- 5482- 01	Schalthebel .....	Gear shift lever .....			
40	1			1134- 5459- 01	Schaltarm .....	Gear shift arm .....			
41	1			1134- 0240- 00	Ansatzbolzen .....	Shoulder screw .....			
42	1			9696- 0013- 01	Scheibe .....	Bowed washer .....			
43	1			9739- 0831- 22	Mutter .....	Nut .....			
44	1			1134- 2766- 07	Regulierdraht .....	Control cable .....			
45	1			1134- 5518- 01	Winkelhalter .....	Angle bracket .....			
46	2			9897- 0616- 16	Schraube .....	Carriage bolt .....			
47	2			9739- 0631- 22	Mutter .....	Nut .....			
50	1			9570- 0001- 00	Winkelgelenk .....	Elbow link .....			
51	2			9739- 0531- 22	Mutter .....	Nut .....			



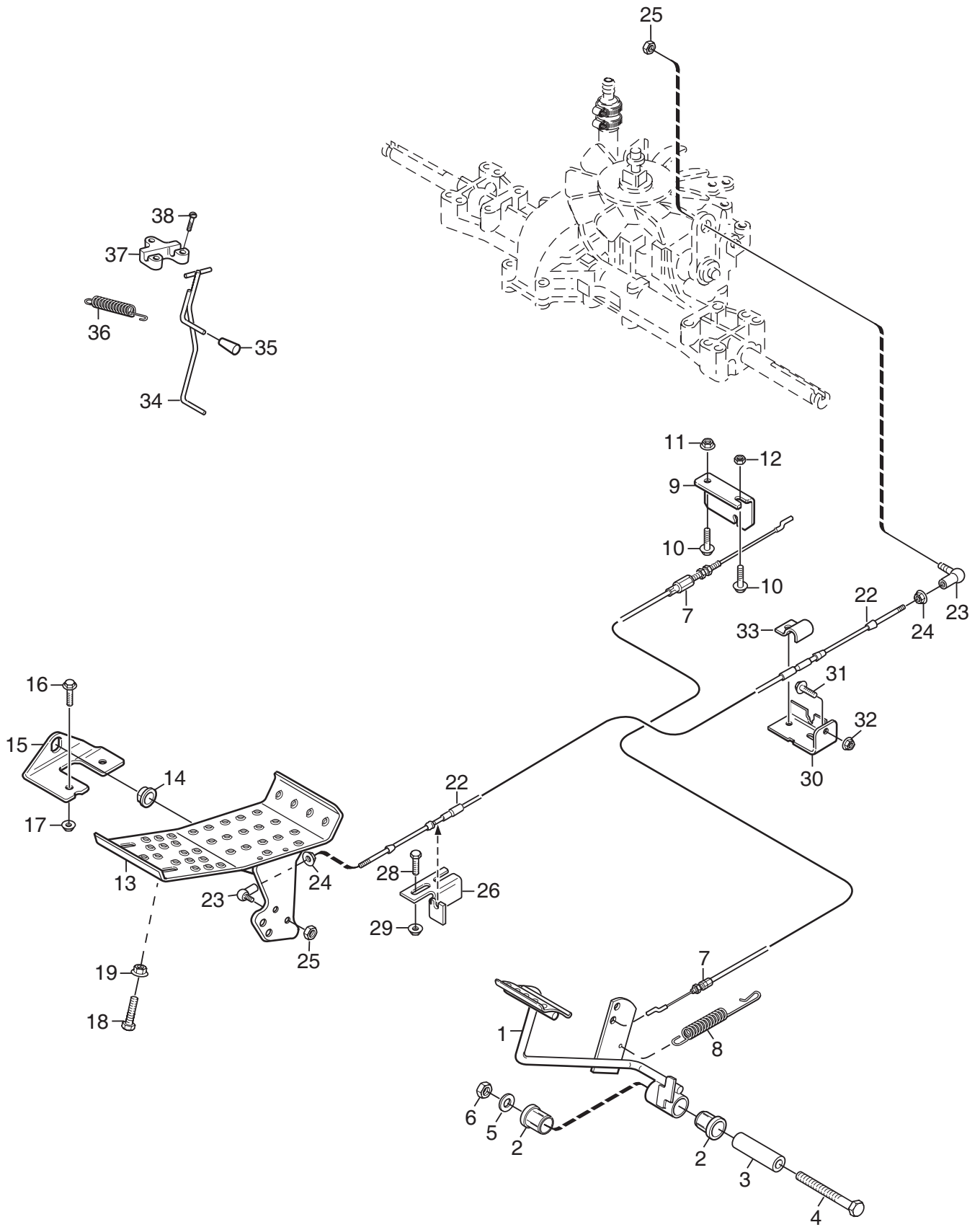
Ausgabe Issue 2007-32		Bild Nr Picture No C147		XK 13 FUßBEDIENELEMENTE 2WD		XK 13 FOOT CONTROLS 2WD		Seite Page 64	
Pos. Fig.	Anzahl/Quantity				Artikel Nr. Part No	Bezeichnung	Description	Satz Kit	Anmerkung Notes
	6105								
1	1				1134-4247-01	Brems/Kupplungspedal .....	Brake/clutch pedal.....		
2	2				1134-0068-00	• Lager .....	• Bearing.....		
3	1				1134-3410-02	Bremsdraht.....	Brake cable .....		
4	1				1134-3403-01	Drahthalter.....	Wire holder .....		
5	1				1134-3280-01	Feder .....	Spring .....		
6	1				1134-3974-02	Feder .....	Spring .....		
7	1				1134-4058-01	Drahtseil .....	Cable .....		
8	1				1134-2991-01	Schrauböse .....	Eye bolt .....		
9	1				9739-0531-22	Mutter .....	Nut .....		
10	1				9747-0531-02	Mutter .....	Nut .....		
13	1				1134-3974-01	Feder .....	Spring .....		
14	1				1134-3400-01	Winkelarm .....	Angle plate .....		
15	2				9959-0820-16	Schraube .....	Screw.....		
16	2				9739-0831-22	Mutter .....	Nut .....		
17	1				1134-2021-01	Klemme .....	Clamp.....		
18	1				1134-4048-02	Schaltarm .....	Gear shifter arm.....		
19	1				9699-0060-02	Scheibe.....	Flat washer.....		
20	1				9987-5016-16	Schraube .....	Screw.....		
21	1				1134-5353-01	Bremsstange .....	Brake rod .....		
22	1				1134-2786-01	Plastikknopf.....	Plastic knob .....		
23	1				1131-1497-01	Feder .....	Spring .....		
24	1				1134-4002-01	Halterung.....	Brake rod attachment.....		
25	3				9838-9516-12	Schraube .....	Screw .....		
26	1				9570-0001-00	Winkelgelenk .....	Elbow link .....		
27	2				9739-0531-22	Mutter .....	Nut.....		



Ausgabe Issue 2007-32		Bild Nr Picture No C148		XK 16- XK 160HD FUßBEDIENELEMENTE 2WD		XK 16- XK 160HD FOOT CONTROLS 2WD		Seite Page 66	
Pos. Fig.	Anzahl/Quantity				Artikel Nr. Part No	Bezeichnung	Description	Satz Kit	Anmerkung Notes
	6103 6106								
1	1				1134-4247-01	Brems/Kupplungspedal .....	Brake/clutch pedal.....		
2	2				1134-0068-00	• Lager .....	• Bearing .....		
3	1				1134-3584-03	Brems/Kupplungsdraht.....	Brake/clutch cable .....		
4A	1				1134-3906-01	Drahthalter.....	Cable holder .....		
5	2				9959-0820-16	Schraube .....	Screw .....		
6	2				9739-0831-22	Mutter .....	Nut .....		
7	1				1134-3974-01	Feder .....	Spring .....		
8	1				1134-6353-01	Fahrpedal.....	Drive pedal .....		
9	2				1134-6313-01	Lager .....	Bearing.....		
10	2				1134-2700-01	Halter.....	Bracket.....		
11	2				9959-0820-16	Schraube .....	Screw.....		
12	2				9739-0831-22	Mutter .....	Nut .....		
13	1				9997-0870-16	Schraube .....	Screw.....		
14	1				9959-0820-16	Schraube .....	Screw.....		
15	3				9739-0831-22	Mutter .....	Nut .....		
16	1				1134-2766-05	Fahrtregulierdraht.....	Speed control cable .....		
17	2				9570-0001-00	Winkelgelenk .....	Elbow link .....		
18	2				9739-0531-22	Mutter .....	Nut .....		
19	2				9747-0531-02	Mutter .....	Nut .....		
20	1				1134-6317-01	Drahthalter.....	Cable holder .....		
21	2				9959-0620-16	Schraube .....	Screw.....		
22	2				9739-0631-22	Mutter .....	Nut .....		
23	1				1134-3395-01	Halterung.....	Attachment.....		
24	2				9959-0820-16	Schraube .....	Screw.....		
25	2				9739-0831-22	Mutter .....	Nut .....		
26	1				1134-2021-01	Klemme .....	Clamp.....		
48	1				1134-5353-01	Bremsstange .....	Brake rod .....		
49	1				1134-2786-01	Plastikknopf.....	Plastic knob .....		
50	1				1131-1497-01	Feder .....	Spring .....		
51	1				1134-4002-01	Halterung.....	Brake rod attachment.....		
52	3				9838-9516-12	Schraube .....	Screw .....		

X  
X

X

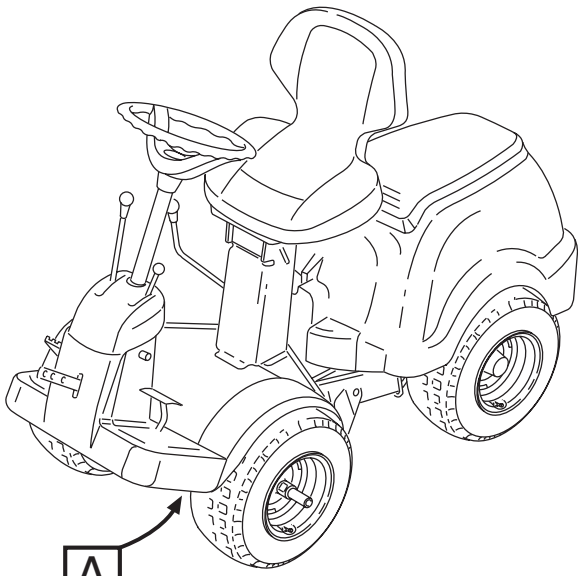




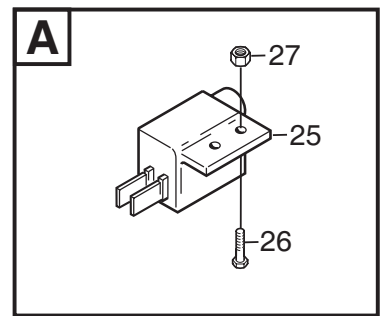
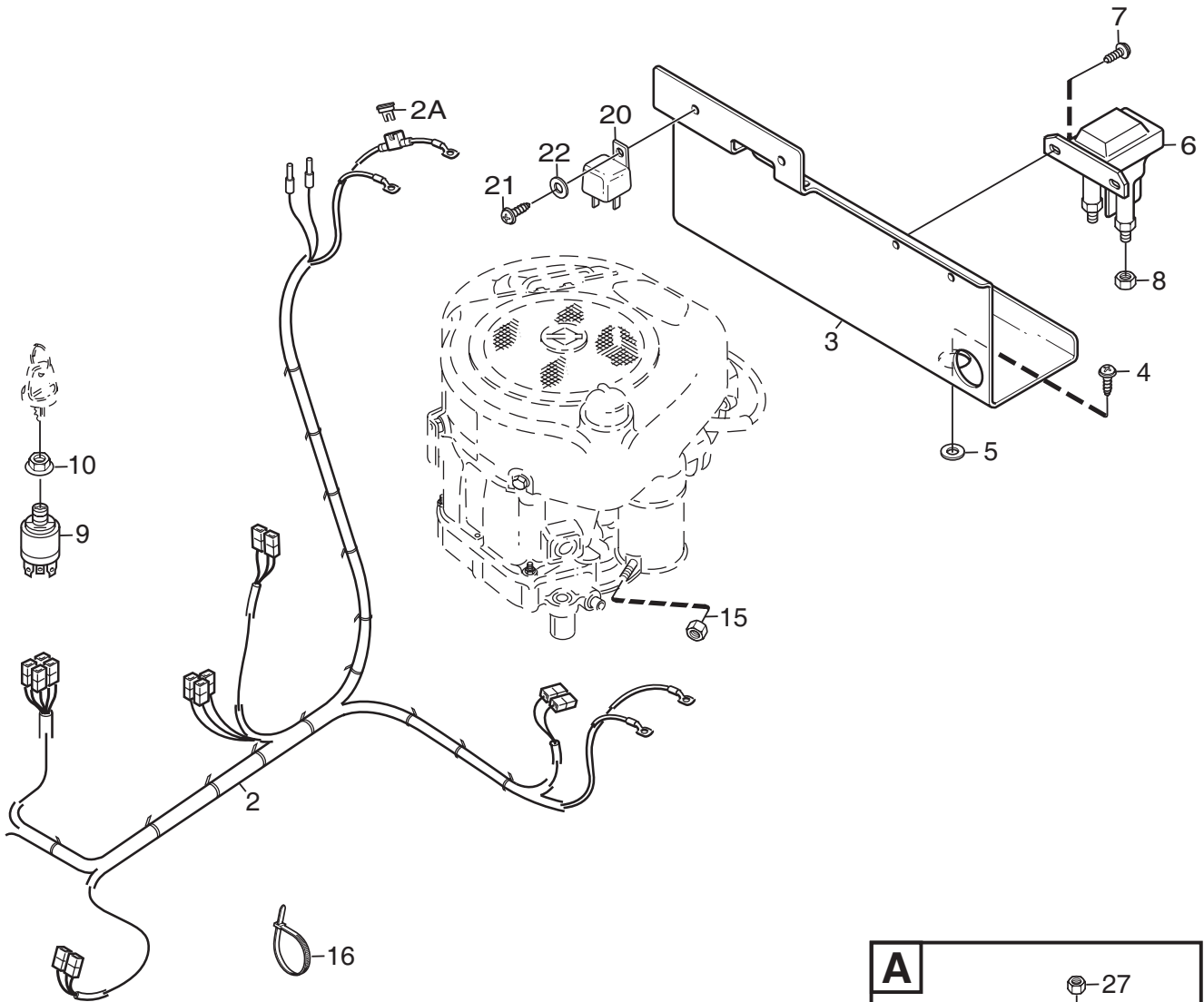
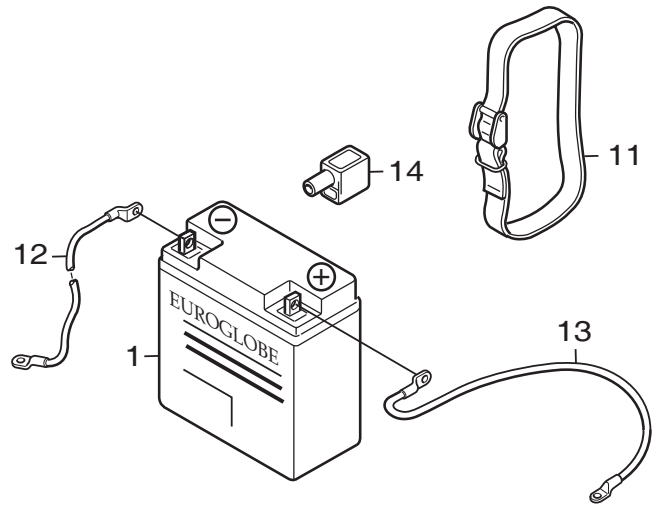
Ausgabe Issue 2007-32		Bild Nr Picture No C149		XK 16- XK4 160HD FUßBEDIENELEMENTE 4WD		XK 16- XK4 160HD FOOT CONTROLS 4WD		Seite Page 68	
Pos. Fig.	Anzahl/Quantity				Artikel Nr. Part No	Bezeichnung	Description	Satz Kit	Anmerkung Notes
	6104	6107							
1	1				1134-5655-01	Brems/Kupplungspedal .....	Brake/clutch pedal.....		
2	2				1134-0068-00	Lager .....	Bearing.....		
3	1				1134-5677-02	Distanz .....	Spacer.....		
4	1				9997-1070-12	Schraube .....	Screw.....		
5	1				9699-0030-02	Scheibe.....	Flat washer.....		
6	1				9739-1031-22	Mutter .....	Nut.....		
7	1				1134-6005-01	Draht .....	Cable.....		
8	1				4231-0013-00	Feder .....	Spring.....		
9	1				1134-3906-01	Drahthalter.....	Cable holder.....		
10	2				9959-0820-16	Schraube .....	Screw.....		
11	1				9739-0831-22	Mutter .....	Nut.....		
12	1				9747-0831-02	Mutter.....	Lock nut.....		
13	1				1134-6353-01	Fahrpedal.....	Drive pedal.....		
14	2				1134-6313-01	Lager .....	Bearing.....		
15	2				1134-2700-01	Halter .....	Bracket.....		
16	2				9959-0820-16	Schraube .....	Screw.....		
17	2				9739-0831-22	Mutter .....	Nut.....		
18	1				9997-0835-16	Schraube .....	Screw.....		
19	1				9739-0831-22	Mutter .....	Nut.....		
22	1				1134-2766-05	Fahrtregulierdraht.....	Speed control cable.....		
23	2				9570-0001-00	Winkelgelenk .....	Elbow link.....		
24	2				9739-0531-22	Mutter .....	Nut.....		
25	2				9747-0531-02	Mutter .....	Nut.....		
26	1				1134-6317-01	Drahthalter.....	Cable holder.....		
28	2				9959-0620-16	Schraube .....	Screw.....		
29	2				9739-0631-22	Mutter .....	Nut.....		
30	1				1134-3395-01	Halterung.....	Attachment.....		
31	2				9959-0820-16	Schraube .....	Screw.....		
32	2				9739-0831-22	Mutter .....	Nut.....		
33	1				1134-2021-01	Klemme .....	Clamp.....		
34	1				1134-5353-01	Bremsstange .....	Brake rod.....		
35	1				1134-2786-01	Plastikknopf.....	Plastic knob.....		
36	1				1131-1497-01	Feder .....	Spring.....		
37	1				1134-4002-01	Halterung.....	Brake rod attachment.....		
38	3				9838-9516-12	Schraube .....	Screw.....		

X  
X

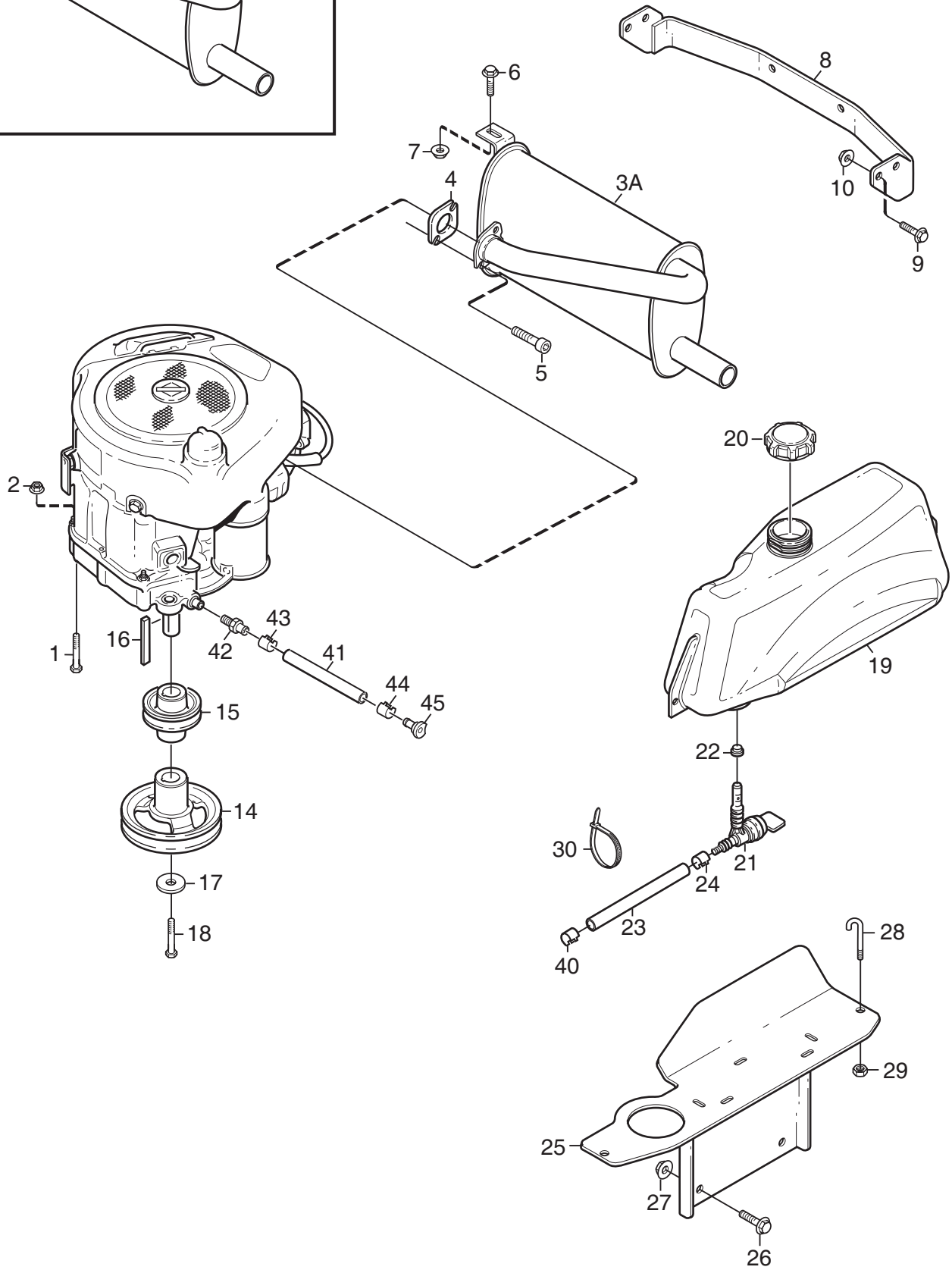
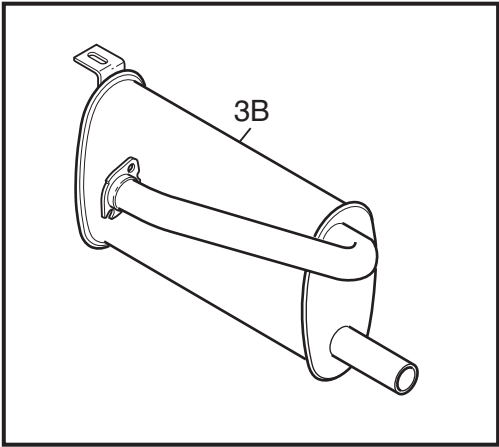
X



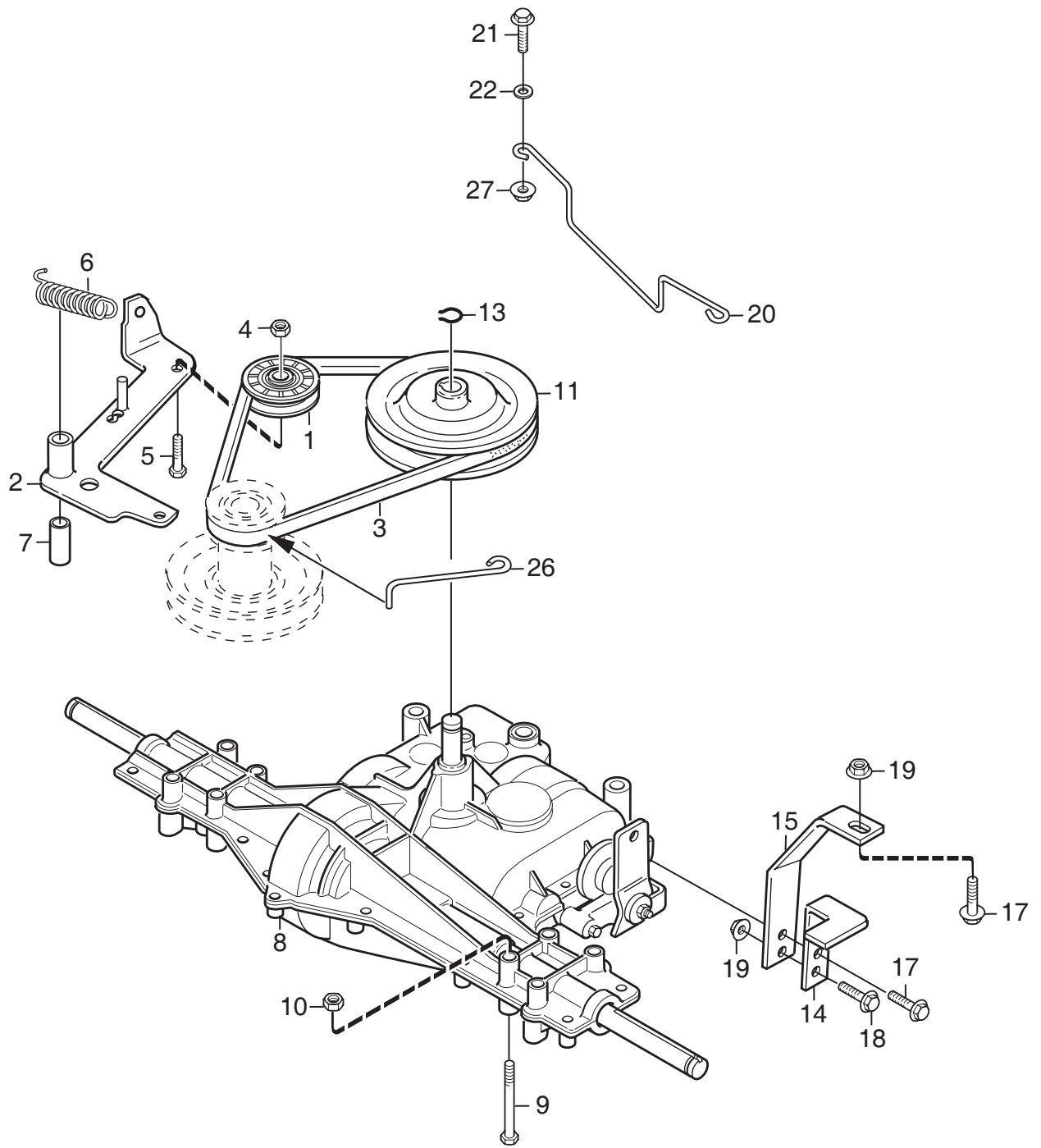
**A**



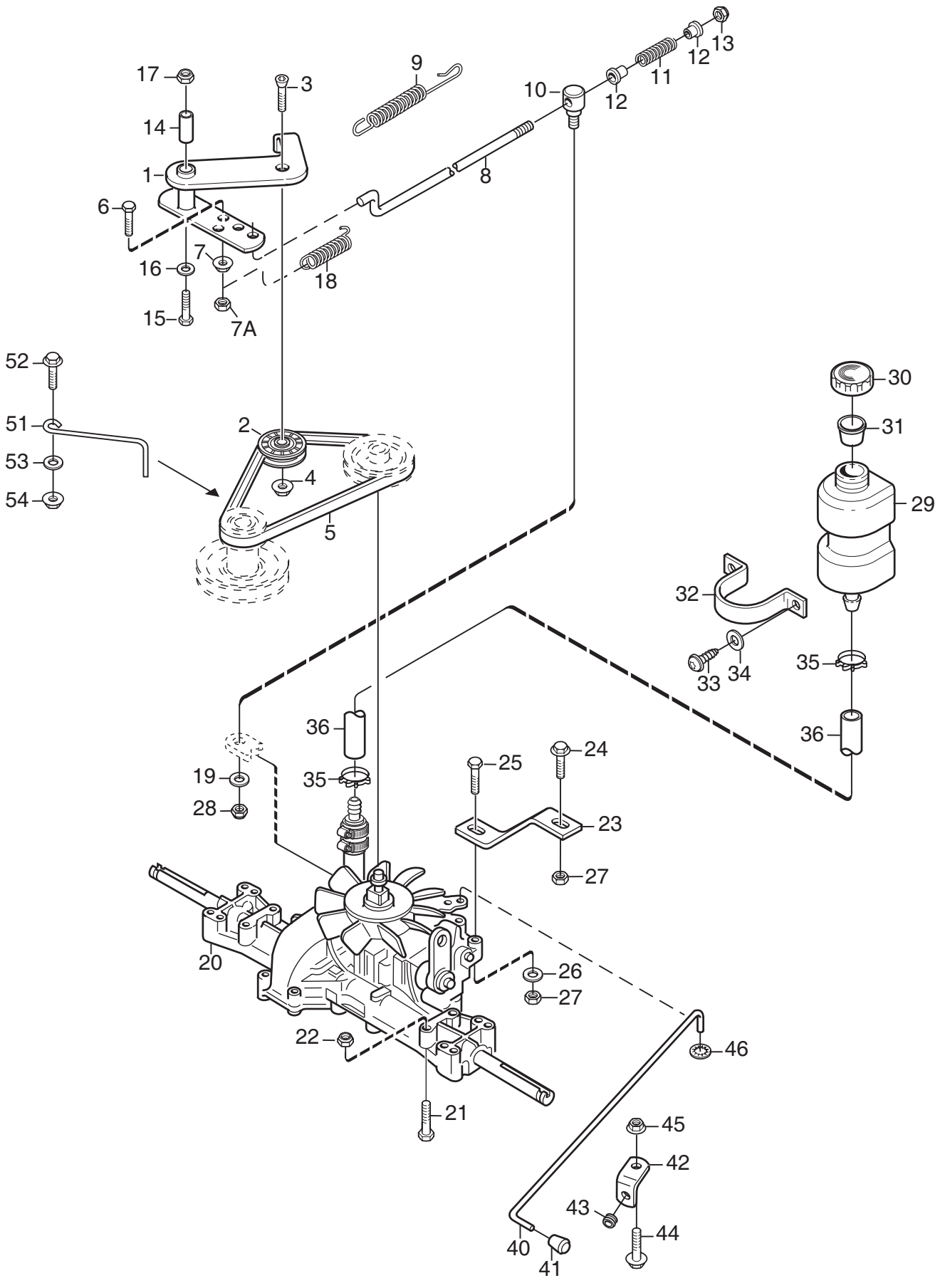
Ausgabe Issue 2007-32		Bild Nr Picture No C150		XK 13- XK 16 XK 160HD- XK4 160HD EL. AUSSTATTUNG		XK 13- XK 16 XK 160HD- XK4 160HD EL. EQUIPMENT		Seite Page 70	
Pos. Fig.	Anzahl/Quantity				Artikel Nr. Part No	Bezeichnung	Description	Satz Kit	Anmerkung Notes
	6105	6103 6106	6104 6107						
1	1	1	1		1134-4804-01	Batterie .....	Battery .....		20A
2	1				1134-5768-01	Kabelbündel .....	Harness .....		
2		1	1		1134-5769-01	Kabelbündel .....	Harness .....		
2A	1	1	1		1134-3496-06	• Sicherung .....	• Fuse .....		
3	1	1	1		1134-5343-01	Batteriekonsole .....	Battery bracket .....		
4	3	3	3		9852-8013-16	Schraube .....	Screw .....		
5	2	2	2		9699-0060-02	Scheibe .....	Flat washer .....		
6	1	1	1		1134-3901-01	Magnetschalter .....	Solenoid .....		
7	2	2	2		9852-8013-16	Schraube .....	Screw .....		
8	2	2	2		9794-5131-02	Mutter .....	Nut .....		
9	1	1	1		1134-4093-01	Zündschloß .....	Ignition switch .....		
10	1	1	1		1134-4749-01	Mutter .....	Nut .....		
11	1	1	1		1134-5245-01	Batterieriemen .....	Battery strap .....		
12	1	1	1		1134-2167-01	Kabel .....	Cable .....		
13	1	1	1		1134-0234-02	Batteriekabel ( + ) .....	Battery cable ( + ) .....		
14	1	1	1		1134-2310-01	Schutzkappe .....	Guard cap .....		
15	1	1	1		9795-3531-02	Mutter .....	Nut .....		
16	15	15	15		9579-0003-00	Kabelhalter .....	Cable holder .....		
20	1				1134-2871-03	Relais .....	Relay .....		
21	1				9852-8013-16	Schraube .....	Screw .....		
22	1				9699-0099-02	Scheibe .....	Washer .....		
25		1	1		1134-3399-02	Schalter .....	Switch .....		
26			2		9943-0516-16	Schraube .....	Screw .....		
26		2			9997-0520-16	Schraube .....	Screw .....		
27		2			9747-0531-02	Mutter .....	Nut .....		



Ausgabe Issue 2007-32		Bild Nr Picture No C151		XK 13- XK 16 XK 160HD- XK4 160HD MOTOR		XK 13- XK 16 XK 160HD- XK4 160HD ENGINE		Seite Page 72	
Pos. Fig.	Anzahl/Quantity			Artikel Nr. Part No	Bezeichnung	Description	Satz Kit	Anmerkung Notes	
	6105	6103 6106	6104 6107						
1	3	4	4	9955-3725-16	Schraube .....	Screw .....		3/8" UNC x 25 mm M8 x 75 mm	
1	1			9997-0875-12	Schraube .....	Screw .....			
2	1			9739-0831-22	Mutter .....	Nut .....			
3A	1			1134-5370-01	Schalldämpfer .....	Muffler .....			
3B		1	1	1134-5369-01	Schalldämpfer .....	Muffler .....			
4	1	1	1	1134-0433-00	Schalldämpferdichtung.....	Muffler gasket.....			
5	2	2	2	1134-4930-01	Schraube .....	Screw .....			
6	1	1	1	9959-0820-16	Schraube .....	Screw .....			
7	1	1	1	9739-0831-22	Mutter .....	Nut .....			
8	1	1	1	1134-5390-01	Anhängerhalterung .....	Tow bar bracket.....			
9	4	4	4	9959-0820-16	Schraube .....	Screw .....			
10	4	4	4	9739-0831-22	Mutter .....	Nut .....			
X 14	1	1	1	1134-6419-01	Motorriemenscheibe.....	Engine pulley.....			
15	1	1	1	1134-6137-01	Motorriemenscheibe.....	Engine pulley.....			
16	1	1	1	9600-0251-01	Keil .....	Key .....		L = 2 1/2"	
17	1	1	1	1134-5017-01	Scheibe.....	Washer.....			
18	1	1	1	9987-5332-16	Schraube .....	Screw .....			
X 19	1	1	1	1134-5335-01	Kraftstofftank.....	Fuel tank .....			
20	1	1	1	1134-5532-01	Tankdeckel.....	Fuel tank cap.....			
21	1	1	1	1134-3224-01	Benzinhahn.....	Fuel shut-off valve.....			
22	1	1	1	1134-3225-01	Gummibuchse .....	Grommet.....			
23	1	1		1134-2975-01	Benzinschlauch.....	Fuel hose.....		L = 520 mm	
23			1	1134-2975-06	Bensinschlauch .....	Fuel hose.....		L = 305 mm	
24	1	1	1	9578-0023-02	Schlauchklemme .....	Hose clamp .....			
25	1	1	1	1134-5340-01	Tankkonsole.....	Fuel tank bracket.....			
26	2	2	2	9959-0820-16	Schraube .....	Screw .....			
27	2	2	2	9739-0831-22	Mutter .....	Nut .....			
28	2	2	2	1134-5346-01	Tankbügel .....	Fuel tank loop.....			
29	2	2	2	9747-0631-02	Mutter .....	Lock nut .....			
30	1	1	1	9579-0003-00	Kabelhalter.....	Cable holder .....			
40	1	1	1	9578-0023-02	Schlauchklemme .....	Hose clamp .....			
41	1	1	1	1134-5827-01	Ölablaß kpl.....	Oil drain assy .....		Pos 42 - 45 incl.	
42	1	1	1	1134-5825-01	• Nippel .....	• Nipple.....			
43	1	1	1	9578-0023-04	• Schlauchklemme .....	• Hose clamp .....			
44	1	1	1	1134-3499-02	• Schlauchklemme .....	• Hose clamp .....			
45	1	1	1	1134-5826-01	• Propfen.....	• Plug.....			



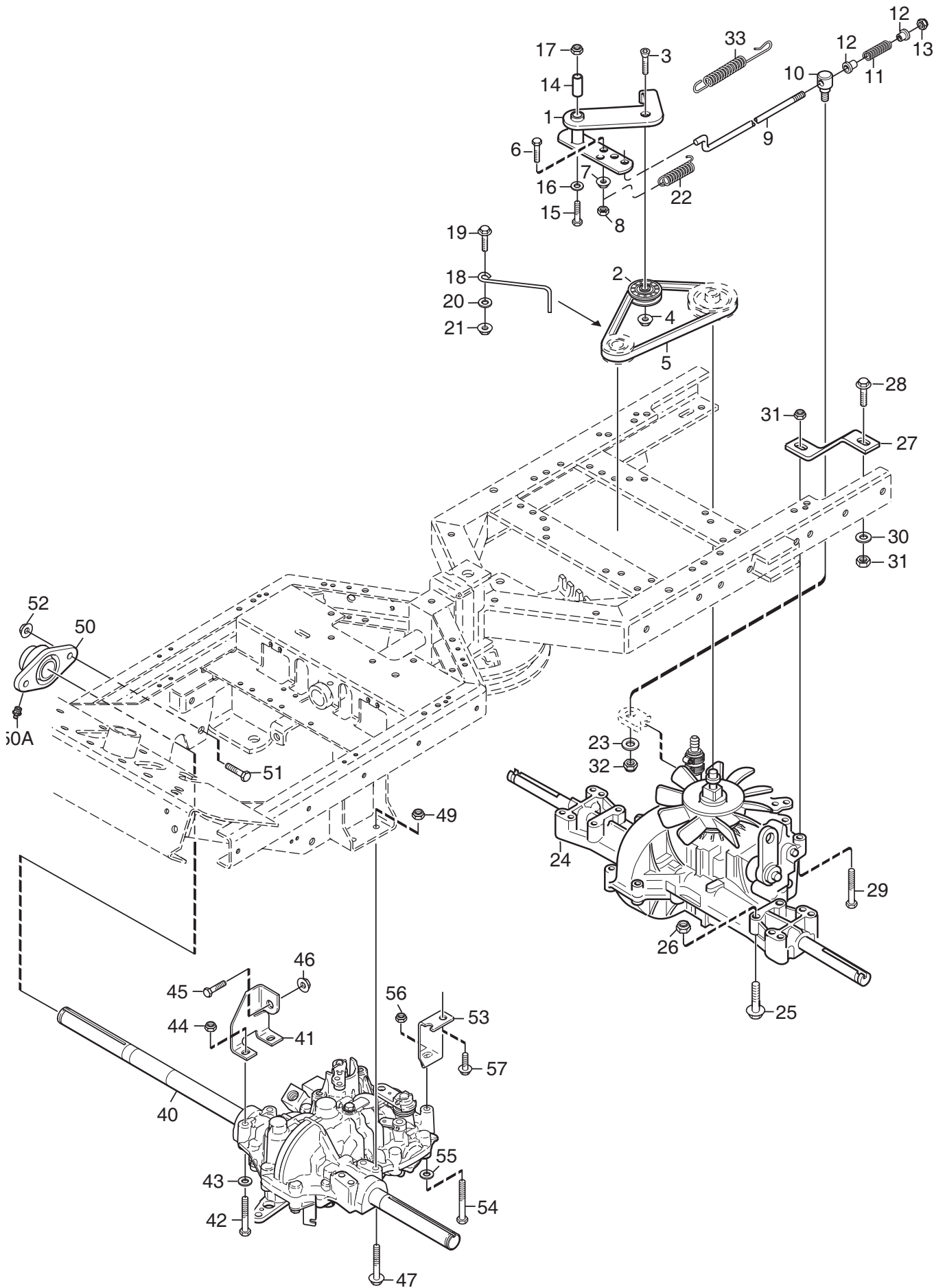
Ausgabe Issue 2007-32		Bild Nr Picture No C152		XK 13 TRANSMISSION 2WD		XK 13 TRANSMISSION 2WD		Seite Page 74	
Pos. Fig.	Anzahl/Quantity				Artikel Nr. Part No	Bezeichnung	Description	Satz Kit	Anmerkung Notes
	6105								
X	1	1			1134-2989-02	Spannrolle- grau .....	Tension roller-grey .....		
	2	1			1134-2015-04	Spannarm .....	Tension arm .....		
	3	1			9585-0057-00	Keilriemen .....	V- belt.....		
	4	1			9799-1031-02	Mutter .....	Nut .....		
	5	1			9997-1030-16	Schraube .....	Screw .....		
	6	1			1134-4337-01	Feder .....	Spring .....		
	7	1			1134-1565-01	Distanz.....	Spacer.....		
X	8	1			1134-6349-01	Getriebe Kpl.....	Transaxle assy.....		Dana 6800-8 L = 60 mm L = 70 mm
X	9	3			9960-0860-12	Schraube .....	Screw .....		
	9	1			9997-0870-16	Schraube .....	Screw.....		
	10	4			9747-0831-02	Mutter.....	Lock nut.....		
	11	1			1134-3182-01	Riemenscheibe .....	Belt pulley .....		
	13	1			9650-0016-04	Seegersicherung.....	Lock ring.....		
	14	1			1134-2045-02	Bremsanschlag.....	Brake stop.....		
	15	1			1134-2986-01	Konsole .....	Bracket.....		
	17	2			9942-0820-16	Schraube .....	Screw.....		
	18	1			9959-0820-16	Schraube .....	Screw.....		
	19	2			9739-0831-22	Mutter .....	Nut.....		
X	20	1			1134-5529-02	Riemenführung.....	Belt guide.....		
	21	2			9959-0820-16	Schraube .....	Screw.....		
	22	2			9699-0056-02	Scheibe.....	Flat washer.....		
	26	1			1134-3289-02	Riemenführung.....	Belt guide.....		
	27	2			9739-0831-22	Mutter .....	Nut.....		





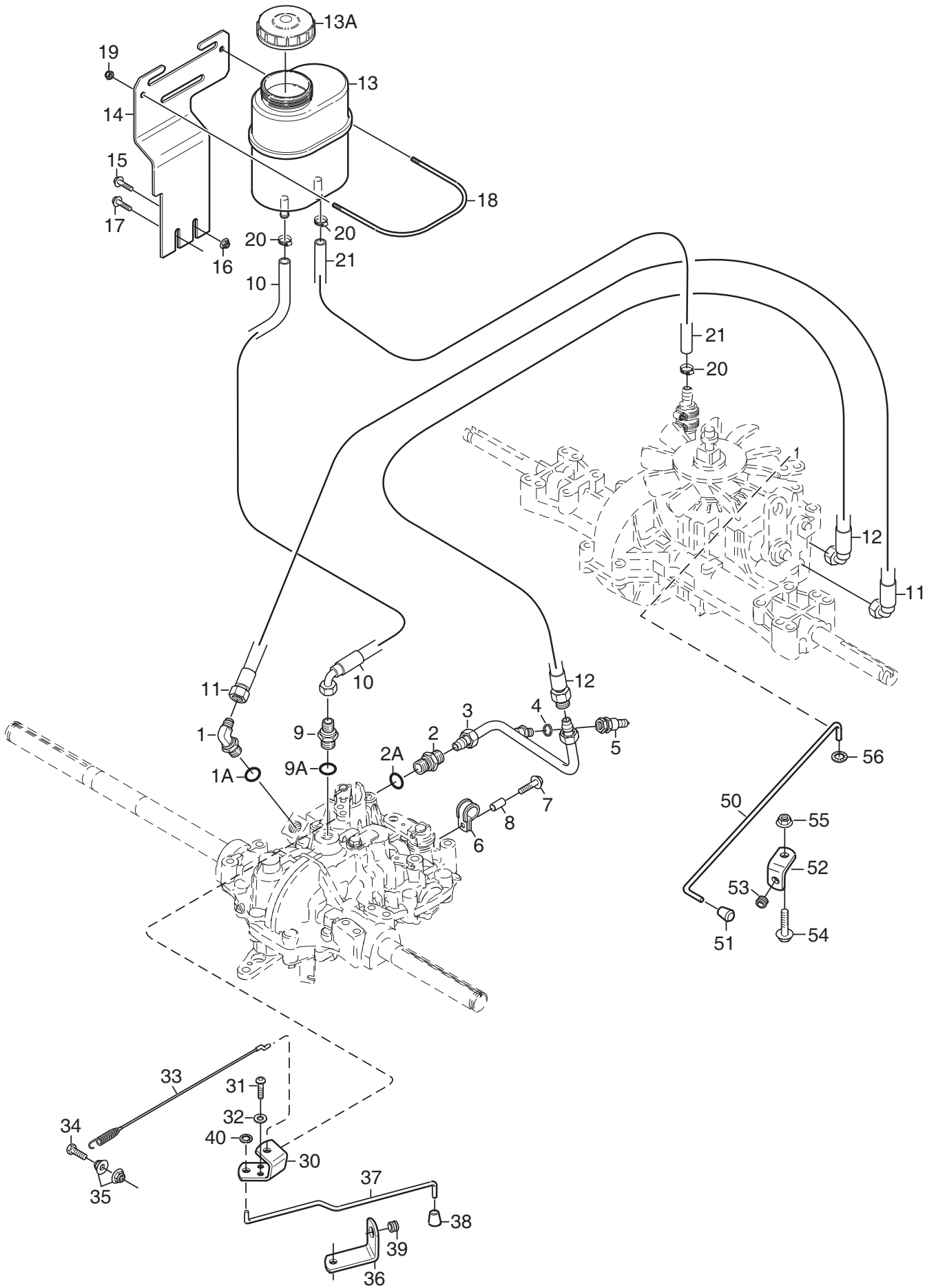
Ausgabe Issue 2007- 32		Bild Nr Picture No C153		XK 16- XK 160HD TRANSMISSION 2WD		XK 16- XK 160HD TRANSMISSION 2WD		Seite Page 76	
Pos. Fig.	Anzahl/Quantity				Artikel Nr. Part No	Bezeichnung	Description	Satz Kit	Anmerkung Notes
	6103								
1	1				1134- 4000- 02	Spannarm .....	Tension arm .....		
2	1				1134- 3459- 01	Spannrolle .....	Tension roller .....		
3	1				9924- 1035- 16	Schraube .....	Screw .....		
4	1				9799- 1031- 02	Mutter .....	Nut .....		
5	1				9585- 0091- 01	Keilriemen .....	V- belt.....		
6	1				9997- 0625- 16	Schraube .....	Screw .....		
7	1				9739- 0631- 22	Mutter .....	Nut .....		
7A	1				9747- 0631- 02	Mutter .....	Lock nut .....		
8	1				1134- 3377- 02	Regulierstange.....	Control rod.....		
9	1				4231- 0013- 00	Feder .....	Spring .....		
10	1				1134- 4171- 01	Gelenkzapfen .....	Pivot pin.....		
11	1				1134- 4183- 01	Druckfeder.....	Compression spring.....		
12	2				1134- 3456- 01	Buchse.....	Bushing.....		
13	1				9747- 0631- 02	Mutter .....	Lock nut .....		
14	1				1134- 1565- 08	Distanz.....	Spacer.....		
15	1				9997- 0870- 16	Schraube .....	Screw .....		
16	1				9699- 0056- 02	Scheibe.....	Flat washer.....		
17	1				9747- 0831- 02	Mutter.....	Lock nut .....		
18	1				1134- 1949- 01	Feder .....	Spring .....		
19	1				9699- 0060- 02	Scheibe.....	Flat washer.....		
20	1				1134- 4848- 01	Getriebe kpl .....	Transaxle assy.....		Kanzaki K46G
21	4				9960- 0860- 12	Schraube .....	Screw .....		
22	4				9747- 0831- 02	Mutter.....	Lock nut .....		
23	1				1134- 3913- 01	Strebe .....	Strut.....		
24	1				9959- 0825- 16	Schraube .....	Screw .....		
25	1				9997- 0845- 12	Schraube .....	Screw .....		
26	1				9699- 0090- 02	Scheibe.....	Flat washer.....		
27	2				9747- 0831- 02	Mutter.....	Lock nut .....		
28	1				9747- 0631- 02	Mutter .....	Lock nut .....		
29	1				1134- 2765- 02	Öltank .....	Oil tank .....		
30	1				1134- 2777- 02	Tankdeckel.....	Filler cap .....		
31	1				1134- 3734- 01	Entlüftungspropfen.....	Vent plug.....		
32	1				1134- 2778- 01	Band .....	Retainer strap .....		
33	2				9852- 8013- 16	Schraube .....	Screw .....		
34	2				9699- 0099- 02	Scheibe.....	Washer.....		
35	2				9578- 0023- 04	Schlauchklemme .....	Hose clamp .....		
36	1				1134- 2779- 07	Schlauch.....	Tube .....		L = 140 mm
40	1				1134- 4015- 01	Zugstange.....	Pull rod .....		
41	1				1134- 4014- 01	Plastikknopf.....	Plastic button.....		
42	1				1134- 4713- 01	Winkel .....	Bracket.....		
43	1				1134- 2790- 01	Gummihülse .....	Rubber grommet.....		
44	1				9959- 0820- 16	Schraube .....	Screw .....		
45	1				9739- 0831- 22	Mutter .....	Nut .....		
46	1				9675- 0009- 02	Verriegelungsscheibe .....	Starlock .....		
51	1				1134- 3289- 02	Riemenführung.....	Belt guide.....		
52	1				9959- 0820- 16	Schraube .....	Screw .....		
53	1				9699- 0056- 02	Scheibe.....	Flat washer.....		
54	1				9739- 0831- 22	Mutter .....	Nut .....		

X



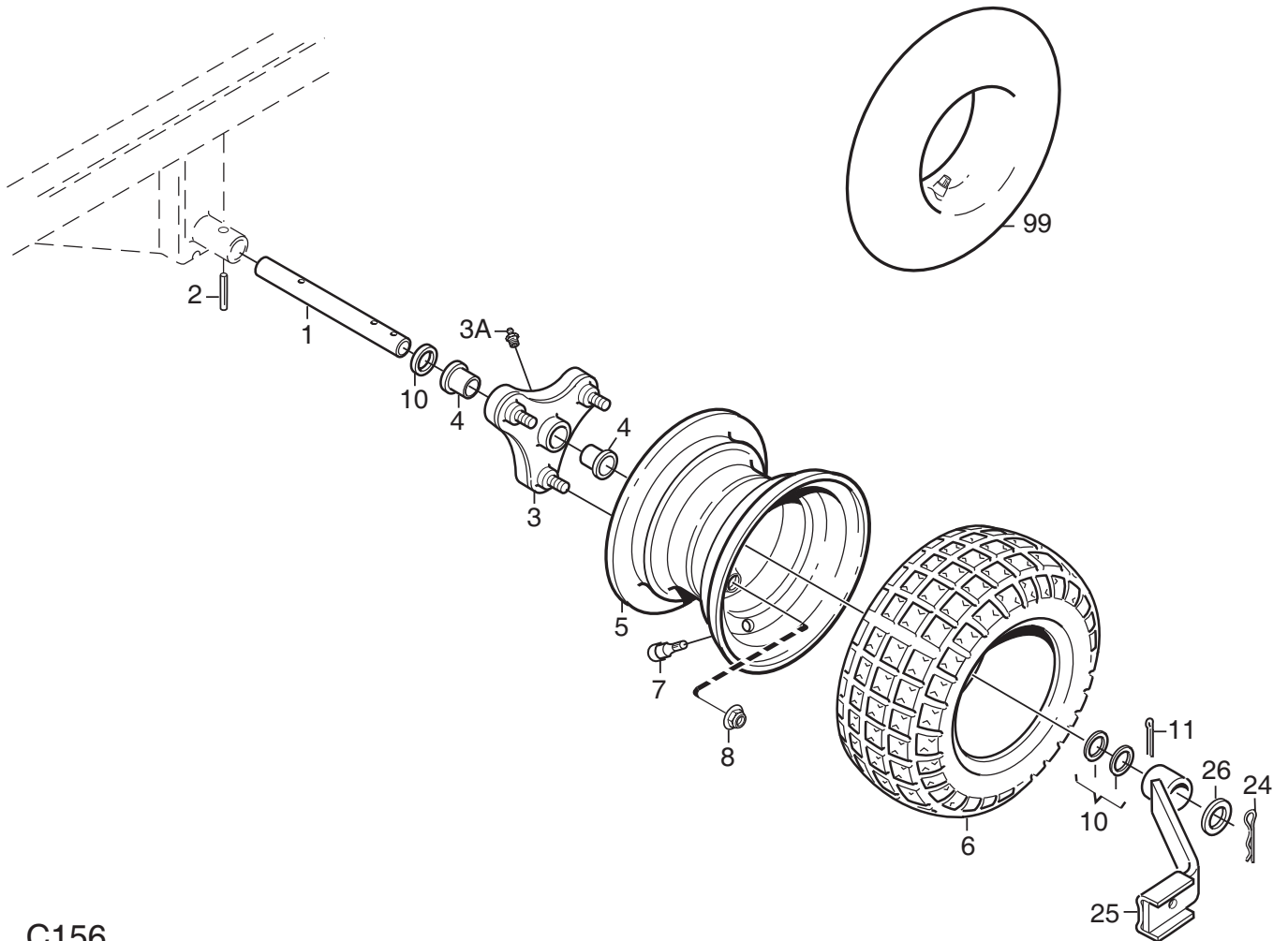
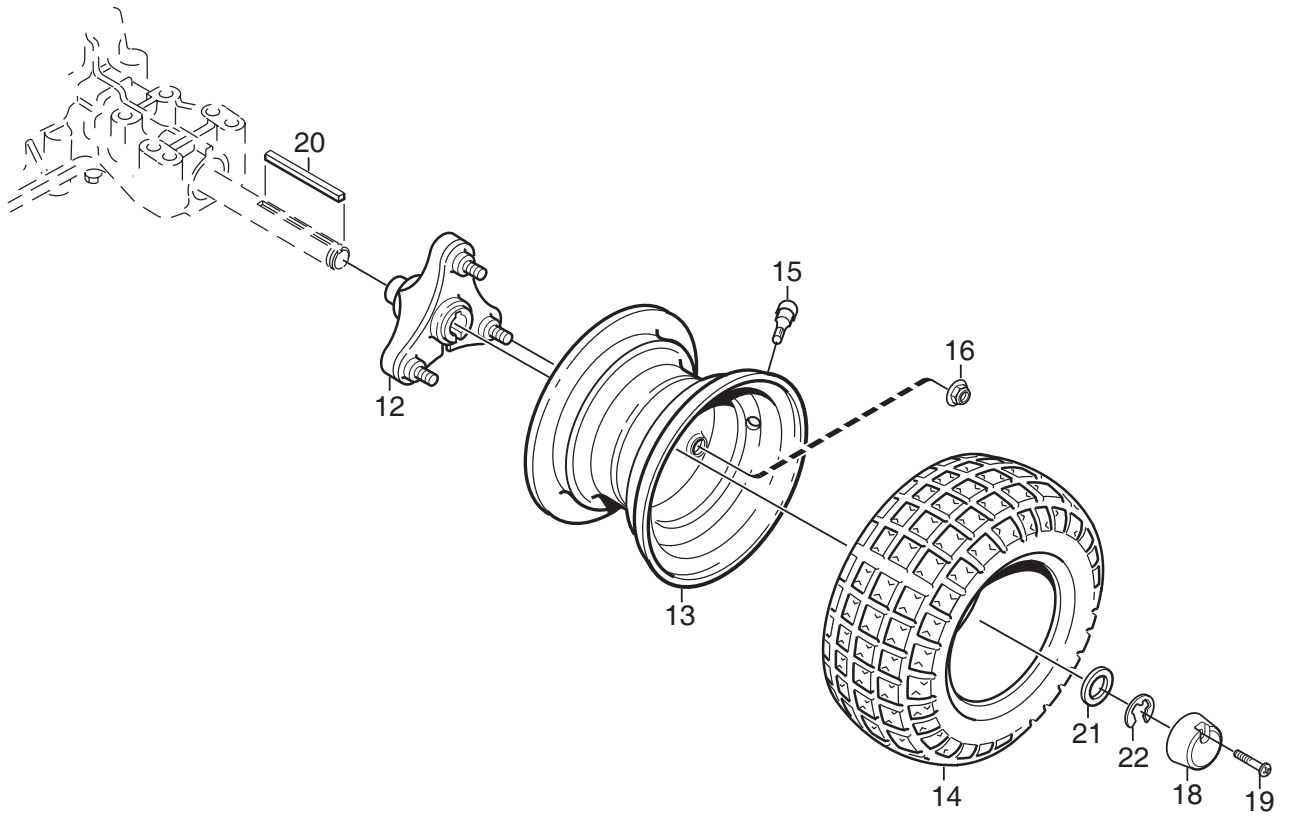
C154

Ausgabe Issue 2007- 32		Bild Nr Picture No C154		XK 16- XK4 160HD TRANSMISSION 4WD (mekanische Teile)		XK 16- XK4 160HD TRANSMISSION 4WD (mechanical parts)		Seite Page 78	
Pos. Fig.	Anzahl/Quantity				Artikel Nr. Part No	Bezeichnung	Description	Satz Kit	Anmerkung Notes
	6104								
	1				1134- 4000- 02	Spannarm .....	Tension arm .....		
	2				1134- 3459- 01	Spannrolle .....	Tension roller .....		
	3				9924- 1035- 16	Schraube .....	Screw .....		
	4				9799- 1031- 02	Mutter .....	Nut .....		
	5				9585- 0091- 01	Keilriemen .....	V- belt.....		
	6				9997- 0625- 16	Schraube .....	Screw .....		
	7				9739- 0631- 22	Mutter .....	Nut .....		
	8				9747- 0631- 02	Mutter .....	Lock nut .....		
	9				1134- 3377- 02	Regulierstange.....	Control rod.....		
	10				1134- 4171- 01	Gelenkzapfen .....	Pivot pin .....		
	11				1134- 4183- 01	Druckfeder.....	Compression spring.....		
	12				1134- 3456- 01	Buchse.....	Bushing.....		
	13				9747- 0631- 02	Mutter .....	Lock nut .....		
	14				1134- 1565- 08	Distanz.....	Spacer .....		
	15				9997- 0870- 16	Schraube .....	Screw .....		
	16				9699- 0056- 02	Scheibe.....	Flat washer.....		
	17				9747- 0831- 02	Mutter.....	Lock nut .....		
	18				1134- 3289- 02	Riemenführung.....	Belt guide .....		
	19				9959- 0820- 16	Schraube .....	Screw .....		
	20				9699- 0056- 02	Scheibe.....	Flat washer.....		
	21				9739- 0831- 22	Mutter .....	Nut .....		
	22				1134- 1949- 01	Feder .....	Spring .....		
	23				9699- 0060- 02	Scheibe.....	Flat washer.....		
X	24				1134- 6394- 01	Getriebe kpl .....	Transaxle assy.....		Kanzaki K574G
X	25				9960- 0860- 12	Schraube .....	Screw .....		
	26				9747- 0831- 02	Mutter.....	Lock nut .....		
	27				1134- 3913- 01	Strebe.....	Strut .....		
	28				9959- 0825- 16	Schraube .....	Screw .....		
	29				9997- 0845- 12	Schraube .....	Screw .....		
	30				9699- 0090- 02	Scheibe.....	Flat washer.....		
	31				9747- 0831- 02	Mutter.....	Lock nut .....		
	32				9747- 0631- 02	Mutter .....	Lock nut .....		
	33				4231- 0013- 00	Feder .....	Spring .....		
	40				1134- 6029- 01	Motorachse- vorne.....	Transaxle- front .....		Kanzaki KTM 10M
	41				1134- 5650- 01	Getriebehalter .....	Transaxle bracket .....		
	42				9997- 0860- 16	Schraube .....	Screw .....		
	43				9699- 0090- 02	Scheibe.....	Flat washer.....		
	44				9747- 0831- 02	Mutter.....	Lock nut .....		
	45				9959- 1025- 16	Schraube .....	Screw .....		
X	46				9731- 1031- 22	Mutter.....	Nut .....		
X	47				9960- 0860- 12	Schraube .....	Screw .....		
	49				9747- 0831- 02	Mutter.....	Lock nut .....		
	50				1134- 5703- 01	Flanschlager .....	Flange bearing.....		
	50A				9501- 0500- 00	• Schmiernippel.....	• Grease joint.....		
	51				9997- 1040- 16	Schraube .....	Screw .....		
X	52				9731- 1031- 22	Mutter.....	Nut .....		
	53				1134- 5670- 01	Strebe.....	Strut .....		
	54				9997- 0880- 16	Schraube .....	Screw .....		
	55				9699- 0090- 02	Scheibe.....	Flat washer.....		
	56				9747- 0831- 02	Mutter.....	Lock nut .....		
	57				9945- 0816- 16	Schraube .....	Screw .....		



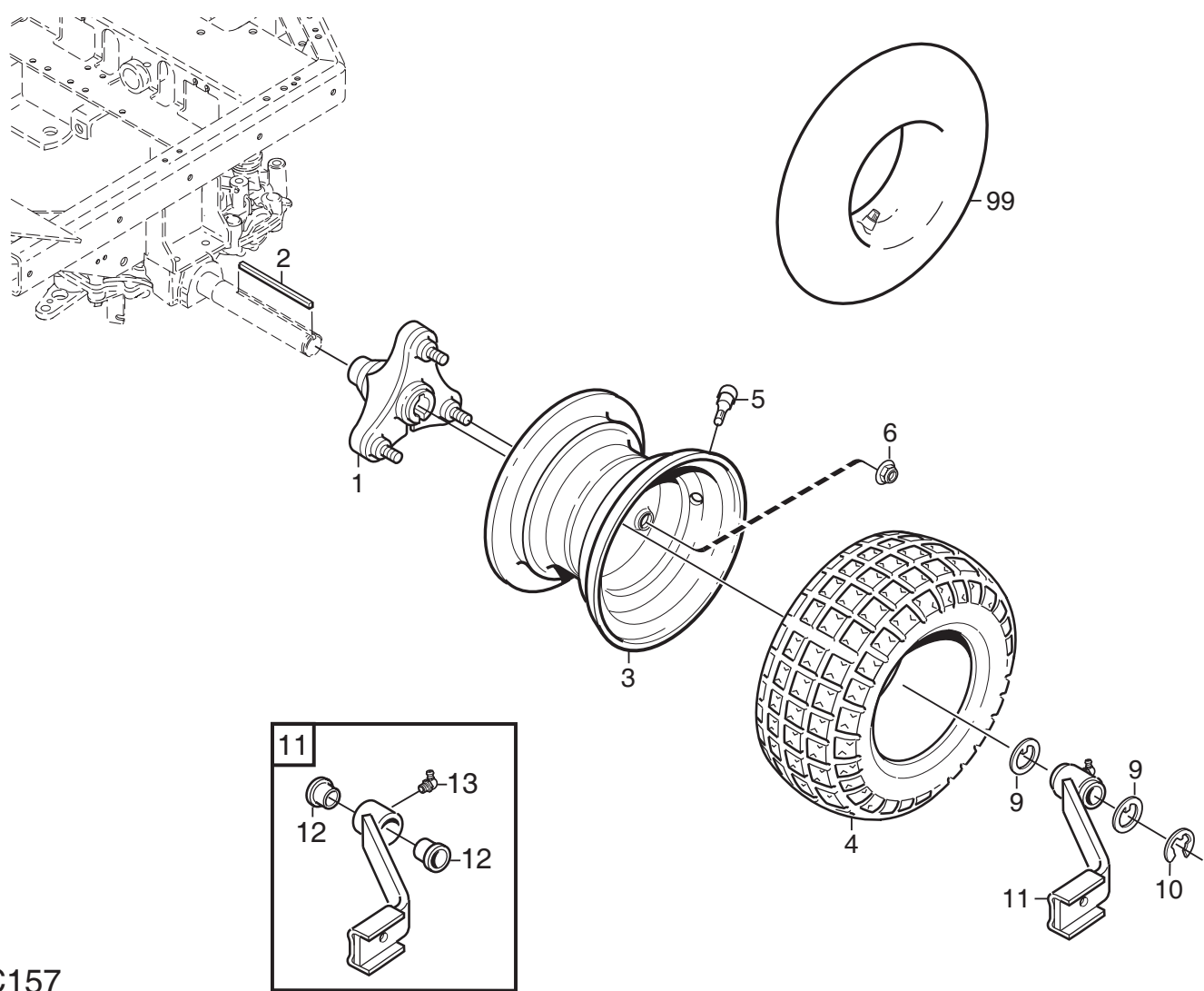
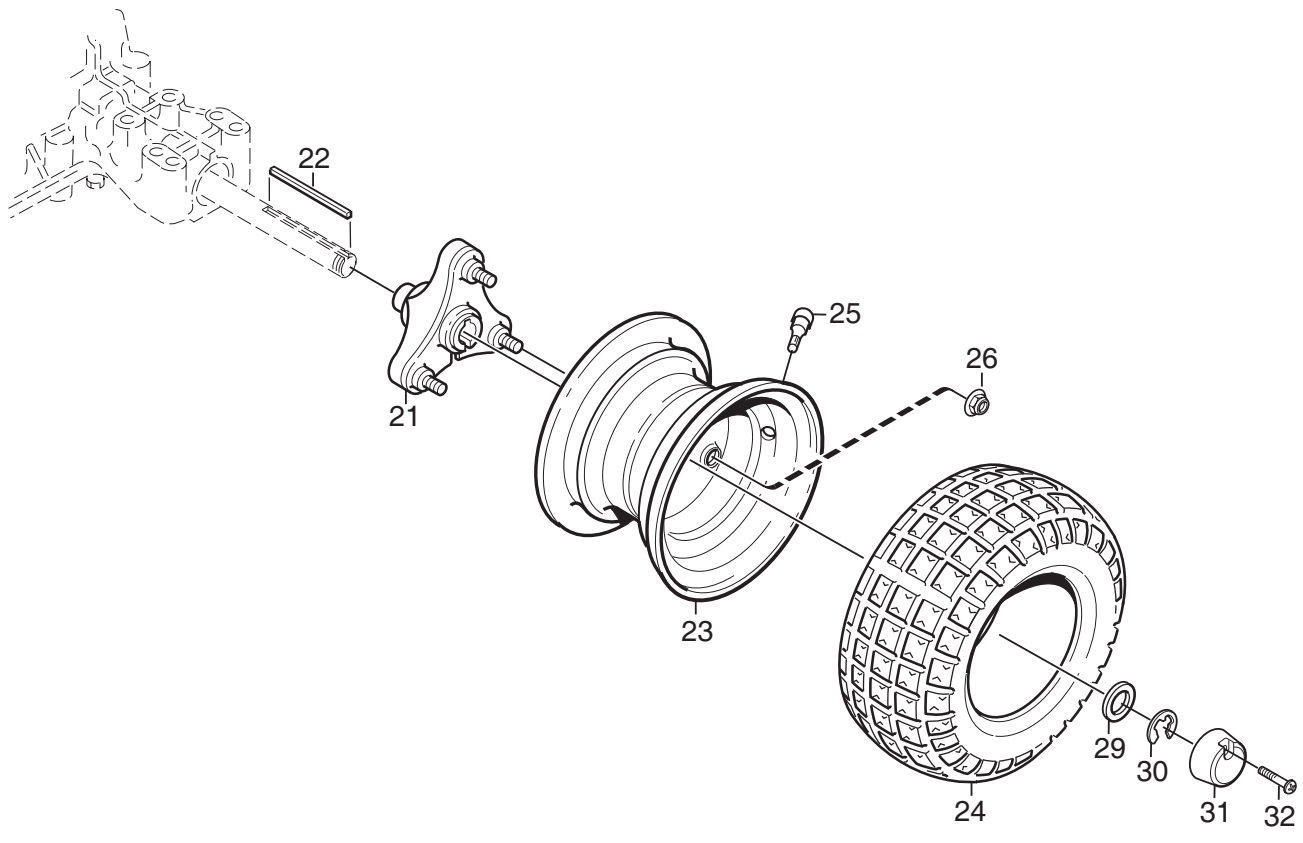
C155

Ausgabe Issue 2007- 32		Bild Nr Picture No C155		XK 16- XK4 160HD TRANSMISSION 4WD (hydraulische Teile)		XK 16- XK4 160HD TRANSMISSION 4WD (hydraulic parts)		Seite Page 80	
Pos. Fig.	Anzahl/Quantity				Artikel Nr. Part No	Bezeichnung	Description	Satz Kit	Anmerkung Notes
	6104								
1	1				1134- 6044- 01	Winkeladapter.....	Angle coupling .....		3/4" x 9/16"
1A	1				9404- 0029- 01	• O- ring.....	• O- ring .....		
2	1				1134- 5875- 01	Hydraulikkupplung.....	Hydraulic coupling .....		3/4"
2A	1				9404- 0029- 01	• O- ring.....	• O- ring .....		
3	1				1134- 6039- 01	Hydraulrohr .....	Hydraulic pipe .....		
4	1				1134- 4948- 01	Dichtungsscheibe .....	Seal washer.....		1/4"
5	1				1134- 6042- 01	Schnellkupplung .....	Quick coupling- male.....		
6	1				9578- 0028- 01	Rohrklemme .....	Tube clamp.....		
7	1				9959- 0825- 16	Schraube .....	Screw .....		
8	1				1134- 1565- 09	Distanz.....	Spacer .....		
9	1				1134- 5809- 01	Hydraulikkupplung.....	Hydraulic coupling .....		3/4" x 9/16"
9A	1				9404- 0029- 01	• O- ring.....	• O- ring .....		
10	1				1134- 5758- 01	Hydraulschlauch .....	Hydraulic tube.....		
11	1				1134- 6048- 01	Hydraulschlauch .....	Hydraulic tube.....		
12	1				1134- 6043- 01	Hydraulschlauch .....	Hydraulic tube.....		
13	1				1134- 6011- 01	Hydraulöltank .....	Hydraulic oil tank .....		
13A	1				1134- 5965- 01	• Tankdeckel .....	• Tank cap .....		
14	1				1134- 6009- 01	Tankkonsole.....	Tank bracket.....		
15	1				9959- 0820- 16	Schraube .....	Screw .....		
16	1				9739- 0831- 22	Mutter .....	Nut .....		
17	1				9945- 0816- 16	Schraube .....	Screw .....		
18	1				1134- 6030- 01	Tankbügel .....	Tank loop .....		
19	2				9747- 0631- 02	Mutter .....	Lock nut .....		
20	3				9578- 0023- 04	Schlauchklemme .....	Hose clamp .....		
21	1				1134- 2779- 08	Schlauch.....	Tube .....		L = 165 mm
30	1				1134- 6162- 01	Halterung .....	Bracket.....		
31	2				9939- 0612- 16	Schraube .....	Screw .....		
32	2				9699- 0025- 02	Scheibe.....	Washer.....		
33	1				1134- 6163- 01	Draht .....	Cable .....		
34	1				9997- 0835- 12	Schraube .....	Screw .....		
35	2				9739- 0831- 22	Mutter .....	Nut .....		
36	1				1134- 6084- 01	Konsole .....	Control bracket .....		
37	1				1134- 6083- 01	Regulierstange.....	Control rod.....		
38	1				1134- 4014- 01	Plastikknopf.....	Plastic button .....		
39	1				1134- 2790- 01	Gummihülse .....	Rubber grommet.....		
40	1				9675- 0009- 02	Verriegelungsscheibe .....	Starlock .....		
50	1				1134- 4015- 01	Zugstange.....	Pull rod .....		
51	1				1134- 4014- 01	Plastikknopf.....	Plastic button .....		
52	1				1134- 4713- 01	Winkel .....	Bracket.....		
53	1				1134- 2790- 01	Gummihülse .....	Rubber grommet.....		
54	1				9959- 0820- 16	Schraube .....	Screw .....		
55	1				9739- 0831- 22	Mutter .....	Nut .....		
56	1				9675- 0009- 02	Verriegelungsscheibe .....	Starlock .....		



C156

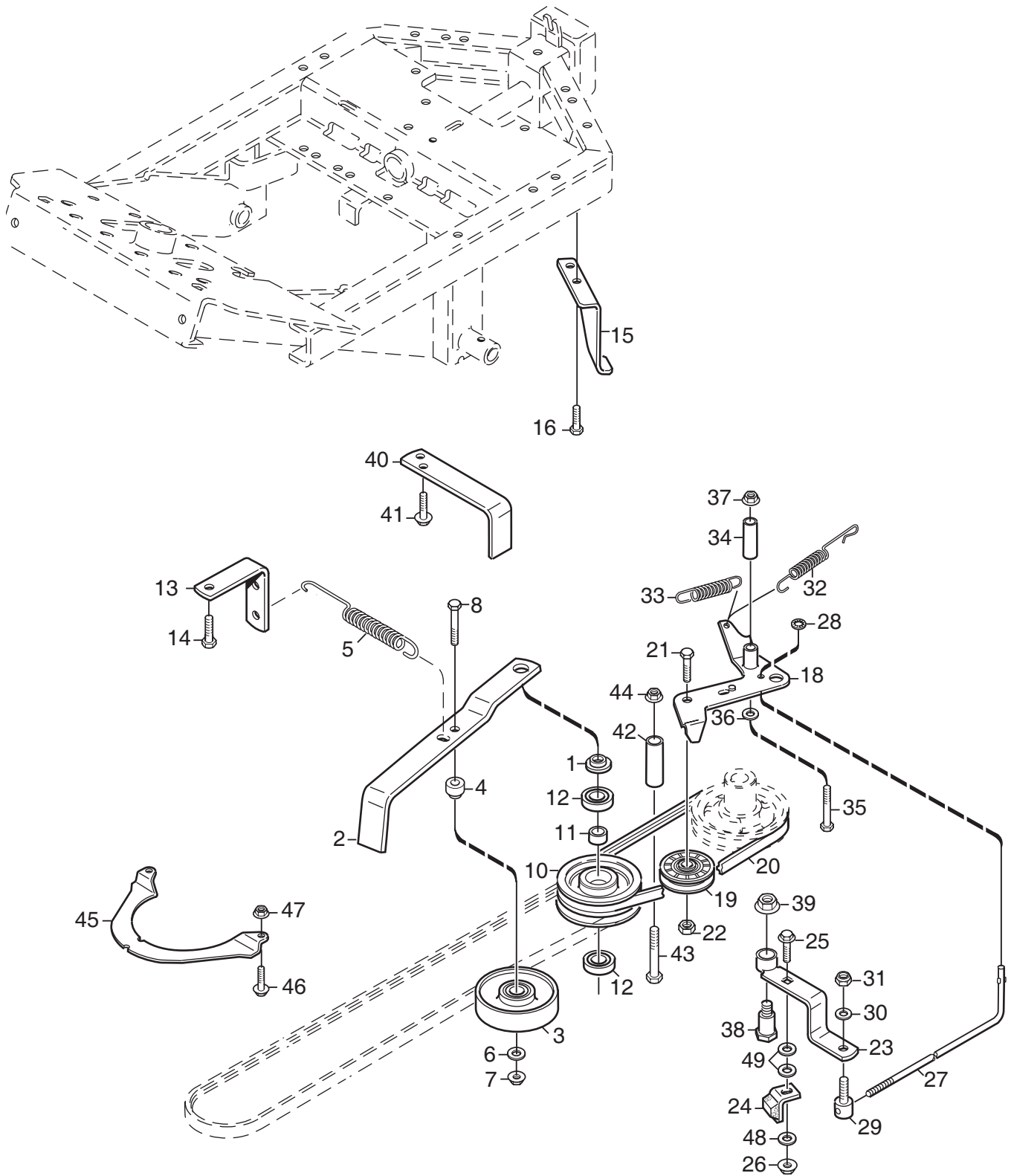
Ausgabe Issue 2007- 32		Bild Nr Picture No C156		XK 13- XK 16 XK 160HD RÄDER 2WD		XK 13- XK 16 XK 160HD WHEELS 2WD		Seite Page 82	
Pos. Fig.	Anzahl/Quantity			Artikel Nr. Part No	Bezeichnung	Description	Satz Kit	Anmerkung Notes	
	6105	6103 6106							
1	2	2		1134- 0075- 01	Vorderachse .....	Front axle .....			
2	2	2		9595- 0258- 00	Spannstift .....	Locating pin .....			
3	2	2		1134- 4844- 05	Radnabe Kpl .....	Wheel hub assy .....			
3A	1	1		9501- 0500- 00	• Schmiernippel.....	• Grease joint.....			
4	2	2		1134- 1319- 01	• Lagerbuchse.....	• Bearing bush.....			
5		2		1134- 4558- 01	Felge .....	Rim .....			
5	2			1134- 5255- 01	Felge .....	Rim .....			
6		2		9545- 0116- 00	Reifen .....	Tyre .....		16 x 7.50 - 8	
6	2			9545- 0126- 01	Reifen .....	Tyre .....		16 x 6.00 - 8	
7	2	2		9545- 0500- 00	Ventil .....	Valve .....			
8	6	6		9731- 1031- 22	Mutter.....	Nut .....			
10	8	8		1134- 0341- 01	Scheibe.....	Washer.....			
11	2	2		9599- 0080- 02	Splint.....	Cotter pin .....			
12	2	2		1134- 4844- 02	Radnabe .....	Wheel hub .....			
13		2		1134- 4558- 01	Felge .....	Rim .....			
13	2			1134- 5255- 01	Felge .....	Rim .....			
14		2		9545- 0116- 00	Reifen .....	Tyre .....		16 x 7.50 - 8	
14	2			9545- 0126- 01	Reifen .....	Tyre .....		16 x 6.00 - 8	
15	2	2		9545- 0500- 00	Ventil .....	Valve .....			
16	6	6		9731- 1031- 22	Mutter.....	Nut .....			
18	2	2		1134- 4796- 01	Nabenkapsel .....	Hub cap.....			
19	2	2		9947- 0540- 19	Schraube .....	Screw.....			
20		2		1134- 2471- 01	Keil .....	Key .....		L = 58 mm	
20	2			1134- 2471- 03	Keil .....	Key.....		L = 44 mm	
21	2	2		9699- 0042- 02	Scheibe.....	Flat washer.....			
22	2	2		9653- 0001- 04	Schließring .....	Lock ring.....			
24	2	2		9598- 0003- 02	Schließnadel .....	Spring pin .....			
25	2	2		1134- 3710- 01	Geräthalter.....	Tool attachment .....			
26	2	2		9699- 0042- 02	Scheibe.....	Flat washer.....			
99				9545- 0203- 00	Innenschlauch .....	Inner tube .....		Only as spare part	



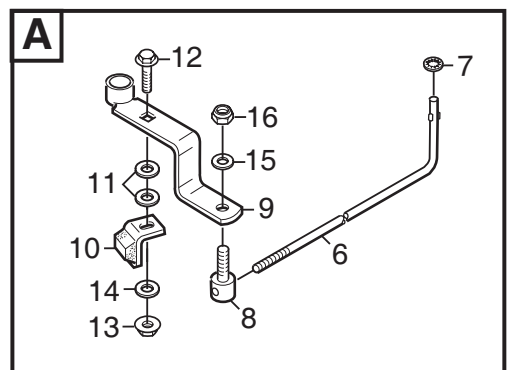
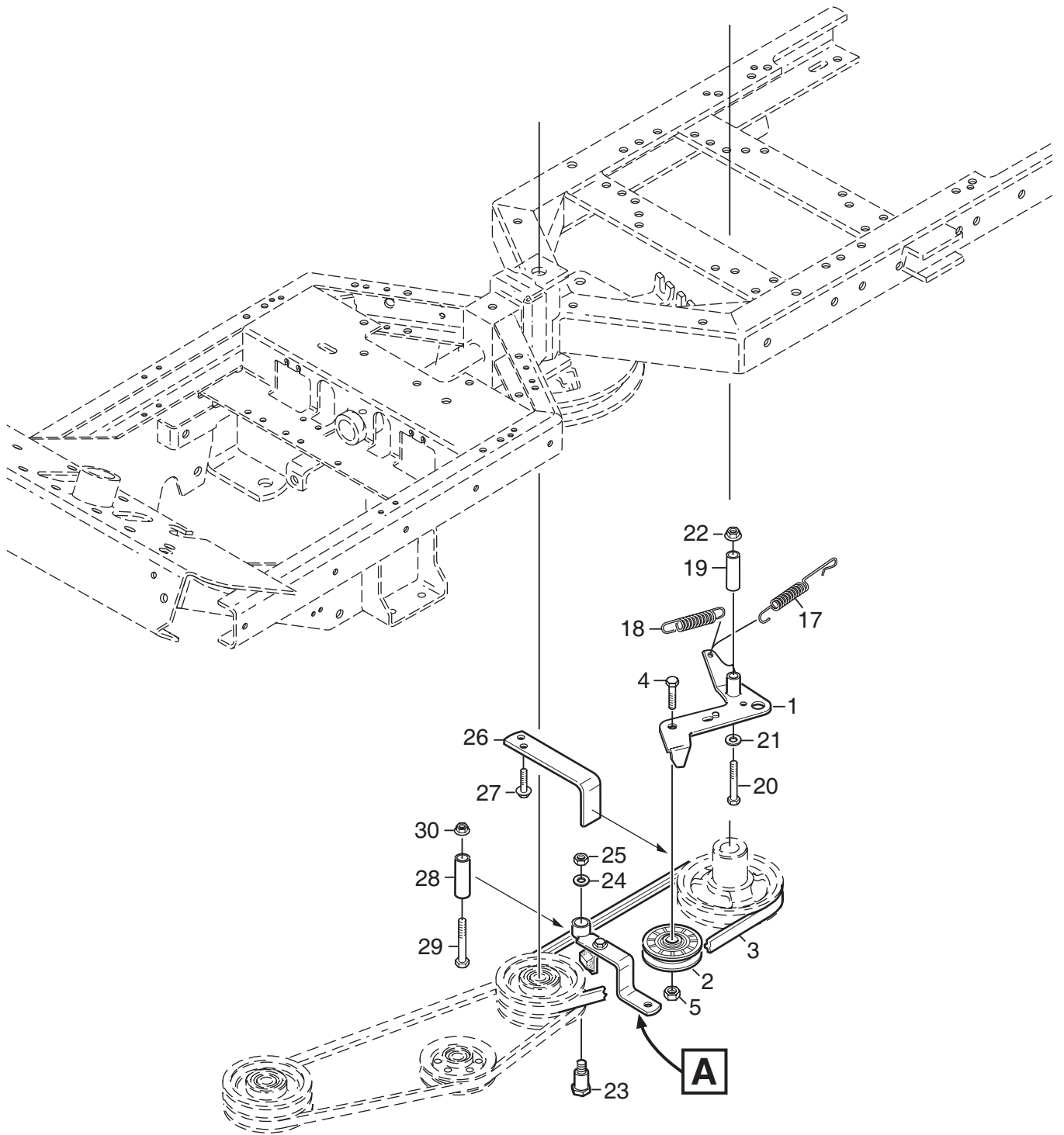
C157



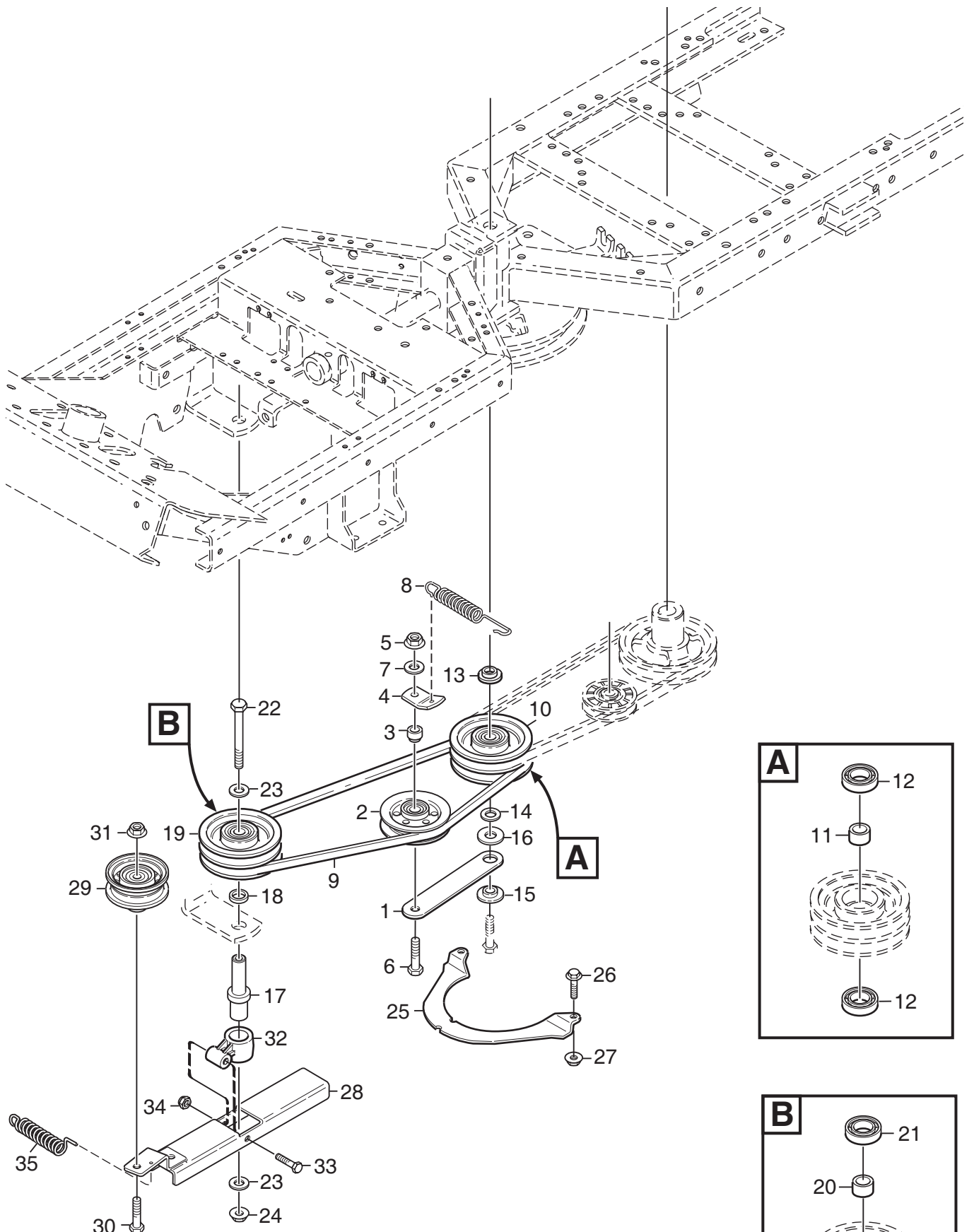
Ausgabe Issue 2007-32		Bild Nr Picture No C157		XK 16- XK4 160HD RÄDER 4WD		XK 16- XK4 160HD WHEELS 4WD		Seite Page 84	
Pos. Fig.	Anzahl/Quantity				Artikel Nr. Part No	Bezeichnung	Description	Satz Kit	Anmerkung Notes
	6104 6107								
X	1	2			1134-4844-03	Radnabe .....	Wheel hub .....		16 x 7.50 - 8
	2	2			1134-3383-02	Keil .....	Key .....		
	3	2			1134-4558-01	Felge .....	Rim .....		
	4	2			9545-0116-00	Reifen .....	Tyre .....		
	5	2			9545-0500-00	Ventil .....	Valve .....		
	6	6			9731-1031-22	Mutter .....	Nut .....		
	9	4			1134-5797-01	Scheibe .....	Washer .....		
	10	2			9653-0002-04	Schließring .....	Lock ring .....		
	11	2			1134-5886-01	Geräthalter Kpl. ....	Tool attachment assy .....		
	12	2			1134-5686-01	• Lagerbuchse .....	• Bearing bush .....		
13	1			9501-0502-00	• Schmiernippel .....	• Grease joint .....			
X	21	2			1134-4844-02	Radnabe .....	Wheel hub .....		16 x 7.50 - 8
	22	2			1134-2471-01	Keil .....	Key .....		
	23	2			1134-4558-01	Felge .....	Rim .....		
	24	2			9545-0116-00	Reifen .....	Tyre .....		
	25	2			9545-0500-00	Ventil .....	Valve .....		
	26	6			9731-1031-22	Mutter .....	Nut .....		
	29	2			9699-0042-02	Scheibe .....	Flat washer .....		
	30	2			9653-0001-04	Schließring .....	Lock ring .....		
	31	2			1134-4796-01	Nabenkapsel .....	Hub cap .....		
	32	2			9947-0540-19	Schraube .....	Screw .....		
99				9545-0203-00	Innenschlauch .....	Inner tube .....		Only as spare part	



Ausgabe Issue 2007- 32		Bild Nr Picture No C158		XK 13- XK 16 XK 160HD NEBENANTRIEB 2WD		XK 13- XK 16 XK 160HD POWER TAKE- OFF 2WD		Seite Page 86	
Pos. Fig.	Anzahl/Quantity				Artikel Nr. Part No	Bezeichnung	Description	Satz Kit	Anmerkung Notes
	6103	6105	6106						
1	1				1134-5548-01	Distanz.....	Spacer.....		
2	1				1134-5109-01	Spannradarm.....	Tension wheel arm.....		
3	1				1134-1770-01	Spannrolle.....	Tension roller.....		
4	1				1134-1888-04	Distanz.....	Spacer.....		
5	1				1134-5111-01	Feder.....	Spring.....		
6	1				9699-0056-02	Scheibe.....	Flat washer.....		
7	1				9739-0831-22	Mutter.....	Nut.....		
8	1				9997-0855-12	Schraube.....	Screw.....		
10	1				1134-1769-03	Riemenscheibe Kpl.....	Centre pulley assy.....		
11	1				1134-0051-09	• Distanz.....	• Spacer.....		
12	2				9549-0019-00	• Kugellager.....	• Ball bearing.....		
13	1				1134-5112-01	Federhalterung.....	Spring attachment.....		
14	2				9945-0816-16	Schraube.....	Screw.....		
15	1				1134-5110-01	Haken.....	Hook.....		
16	2				9893-0616-16	Schraube.....	Screw.....		
18	1				1134-2018-02	Spannarm.....	Tension arm.....		
X 19	1				1134-2989-02	Spannrolle- grau.....	Tension roller- grey.....		
20	1				9585-0129-01	Keilriemen.....	V- belt.....		
21	1				9997-1030-16	Schraube.....	Screw.....		
22	1				9799-1031-02	Mutter.....	Nut.....		
23	1				1134-4111-01	Bremsarm.....	Brake arm.....		
24	1				1134-4164-03	Bremsklotz.....	Brake pad.....		
25	1				9897-0825-16	Schraube.....	Screw.....		
26	1				9747-0831-02	Mutter.....	Lock nut.....		
27	1				1134-4162-01	Bremsstange.....	Brake rod.....		
28	1				9675-0008-02	Verriegelungsscheibe.....	Locking washer.....		
29	1				1134-4170-01	Nippel.....	Nipple.....		
30	1				9699-0025-02	Scheibe.....	Washer.....		
31	1				9747-0631-02	Mutter.....	Lock nut.....		
32	1				4231-0013-00	Feder.....	Spring.....		
33	1				1134-4231-01	Zugfeder.....	Spring.....		
34	1				1134-1565-10	Distanz.....	Spacer.....		
35	1				9997-0860-16	Schraube.....	Screw.....		
36	1				9699-0056-02	Scheibe.....	Flat washer.....		
37	1				9739-0831-22	Mutter.....	Nut.....		
X 38	1				1134-4163-01	Ansatzschraube.....	Shoulder bolt.....		
39	1				9731-1031-22	Mutter.....	Nut.....		
40	1				1134-3958-01	Riemenführung.....	Belt guide.....		
41	2				9893-0616-16	Schraube.....	Screw.....		
42	1				1134-0041-03	Hülse.....	Collar.....		
43	1				9997-1070-12	Schraube.....	Screw.....		
44	1				9739-1031-22	Mutter.....	Nut.....		
45	1				1134-3654-01	Fingerschutz.....	Finger guard.....		
46	2				9959-0612-16	Schraube.....	Screw.....		
47	2				9739-0631-22	Mutter.....	Nut.....		
48	1				9699-0090-02	Scheibe.....	Flat washer.....		
49	2				9699-0035-02	Scheibe.....	Flat washer.....		



Ausgabe Issue 2007-32		Bild Nr Picture No C159		XK 16- XK4 160HD NEBENANTRIEB 4WD		XK 16- XK4 160HD POWER TAKE- OFF 4WD		Seite Page 88	
Pos. Fig.	Anzahl/Quantity				Artikel Nr. Part No	Bezeichnung	Description	Satz Kit	Anmerkung Notes
	6104 6107								
X 1	1				1134-2018-02	Spannarm .....	Tension arm .....		
2	1				1134-2989-02	Spannrolle- grau .....	Tension roller- grey .....		
3	1				9585-0129-01	Keilriemen .....	V- belt .....		
4	1				9997-1030-16	Schraube .....	Screw .....		
5	1				9799-1031-02	Mutter .....	Nut .....		
6	1				1134-4162-01	Bremsstange .....	Brake rod .....		
7	1				9675-0008-02	Verriegelungsscheibe .....	Locking washer .....		
8	1				1134-4170-01	Nippel .....	Nipple .....		
9	1				1134-4111-01	Bremsarm .....	Brake arm .....		
10	1				1134-4164-03	Bremsklotz .....	Brake pad .....		
11	2				9699-0035-02	Scheibe .....	Flat washer .....		
12	1				9897-0825-16	Schraube .....	Screw .....		
13	1				9747-0831-02	Mutter .....	Lock nut .....		
14	1				9699-0090-02	Scheibe .....	Flat washer .....		
15	1				9699-0025-02	Scheibe .....	Washer .....		
16	1				9747-0631-02	Mutter .....	Lock nut .....		
17	1				4231-0013-00	Feder .....	Spring .....		
18	1				1134-4231-01	Zugfeder .....	Spring .....		
19	1				1134-1565-10	Distanz .....	Spacer .....		
20	1				9997-0860-16	Schraube .....	Screw .....		
21	1				9699-0056-02	Scheibe .....	Flat washer .....		
22	1				9739-0831-22	Mutter .....	Nut .....		
23	1				1134-4163-01	Ansatzschraube .....	Shoulder bolt .....		
24	1				9699-0035-02	Scheibe .....	Flat washer .....		
25	1				9739-1031-22	Mutter .....	Nut .....		
26	1				1134-3958-01	Riemenführung .....	Belt guide .....		
27	2				9893-0616-16	Schraube .....	Screw .....		
28	1				1134-0041-03	Hülse .....	Collar .....		
29	1				9997-1070-12	Schraube .....	Screw .....		
30	1				9739-1031-22	Mutter .....	Nut .....		



Ausgabe Issue 2007-32		Bild Nr Picture No C160		XK 16- XK4 160HD NEBENANTRIEB 4WD		XK 16- XK4 160HD POWER TAKE- OFF 4WD		Seite Page 90	
Pos. Fig.	Anzahl/Quantity				Artikel Nr. Part No	Bezeichnung	Description	Satz Kit	Anmerkung Notes
	6104								
1	1				1134-1730-01	Spannradarm.....	Tension wheel arm.....		
2	1				1134-3663-01	Spannrolle.....	Tension wheel.....		
3	1				1134-1888-05	Distanz.....	Spacer.....		
4	1				1134-1893-01	Federhalterung.....	Spring attachment.....		
5	1				9739-1031-22	Mutter.....	Nut.....		
6	1				9997-1060-12	Schraube.....	Screw.....		
7	1				9699-0035-02	Scheibe.....	Flat washer.....		
8	1				1134-5713-01	Zugfeder.....	Spring.....		
9	1				9585-0148-01	Keilriemen.....	V- belt.....		
10	1				1134-1769-03	Riemenscheibe Kpl.....	Centre pulley assy.....		
11	1				1134-0051-09	• Distanz.....	• Spacer.....		
12	2				9549-0019-00	• Kugellager.....	• Ball bearing.....		
13	1				1134-5548-01	Distanz.....	Spacer.....		
14	1				9699-0035-02	Scheibe.....	Flat washer.....		
15	1				1134-0222-00	Spannradscheibe.....	Washer.....		
16	1				9699-0109-02	Scheibe.....	Flat washer.....		
17	1				1134-5663-01	Achse.....	Shaft.....		
18	1				1134-0052-00	Lagerdistanz.....	Bearing spacer.....		
19	1				1134-1769-03	Riemenscheibe Kpl.....	Centre pulley assy.....		
20	1				1134-0051-09	• Distanz.....	• Spacer.....		
21	2				9549-0019-00	• Kugellager.....	• Ball bearing.....		
22	1				9997-1011-06	Schraube.....	Screw.....		
23	2				9699-0030-02	Scheibe.....	Flat washer.....		
24	1				9739-1031-22	Mutter.....	Nut.....		
25	1				1134-3654-01	Fingerschutz.....	Finger guard.....		
26	2				9959-0612-16	Schraube.....	Screw.....		
27	2				9739-0631-22	Mutter.....	Nut.....		
28	1				1134-5660-01	Spannarm.....	Tension arm.....		
29	1				1134-5823-01	Spannrolle.....	Tension roller.....		
30	1				9997-1050-16	Schraube.....	Screw.....		
31	1				9739-1031-22	Mutter.....	Nut.....		
32	1				1134-6314-01	Halterung.....	Attachment.....		
33	1				9997-0645-12	Schraube.....	Screw.....		
34	1				9747-0631-02	Mutter.....	Lock nut.....		
35	1				1134-5824-01	Feder.....	Spring.....		

X