



*Green Passion*

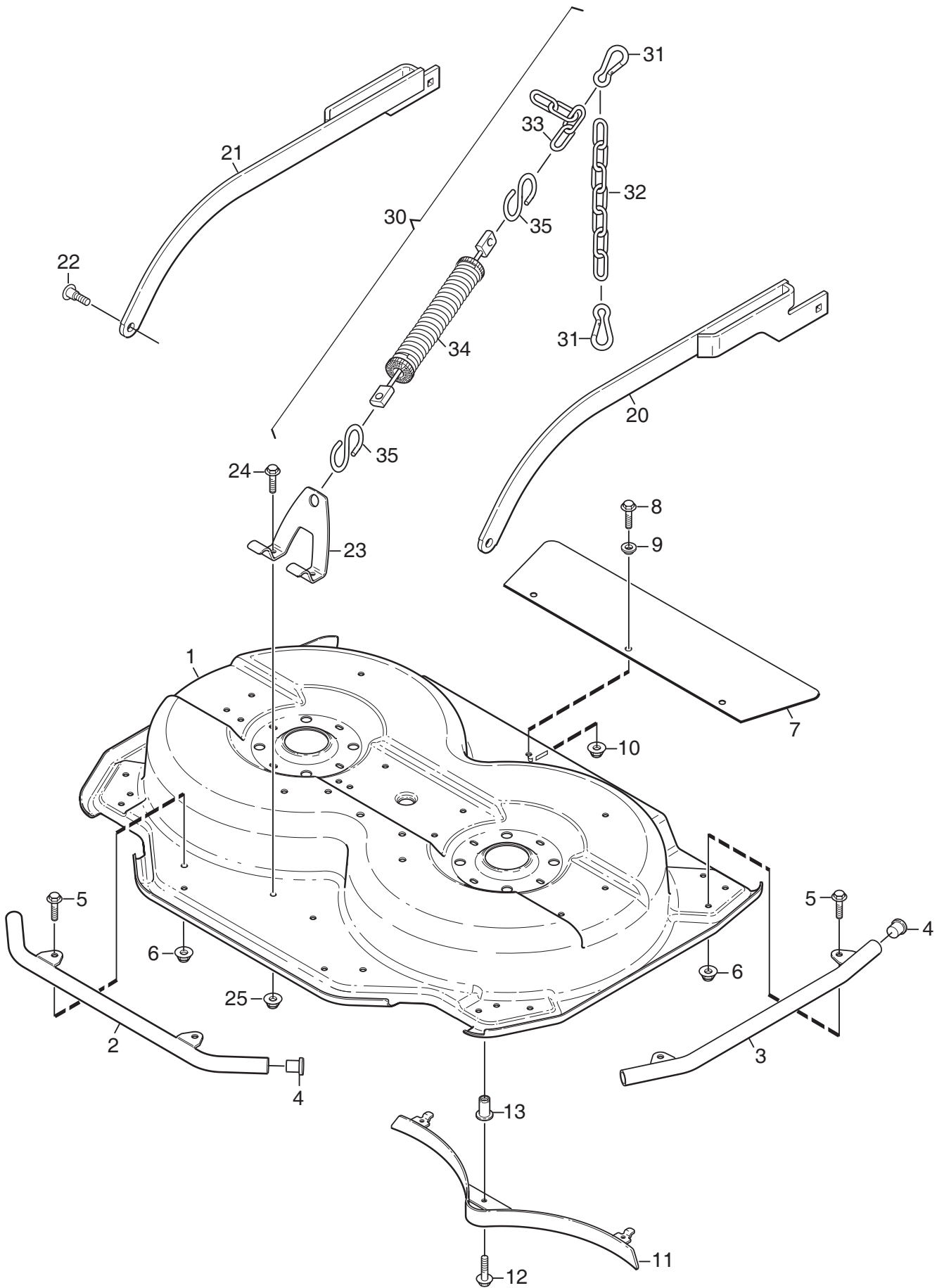
# Illustrated Parts List

**XK Mower Decks 95C-105C  
Model Year 2007**

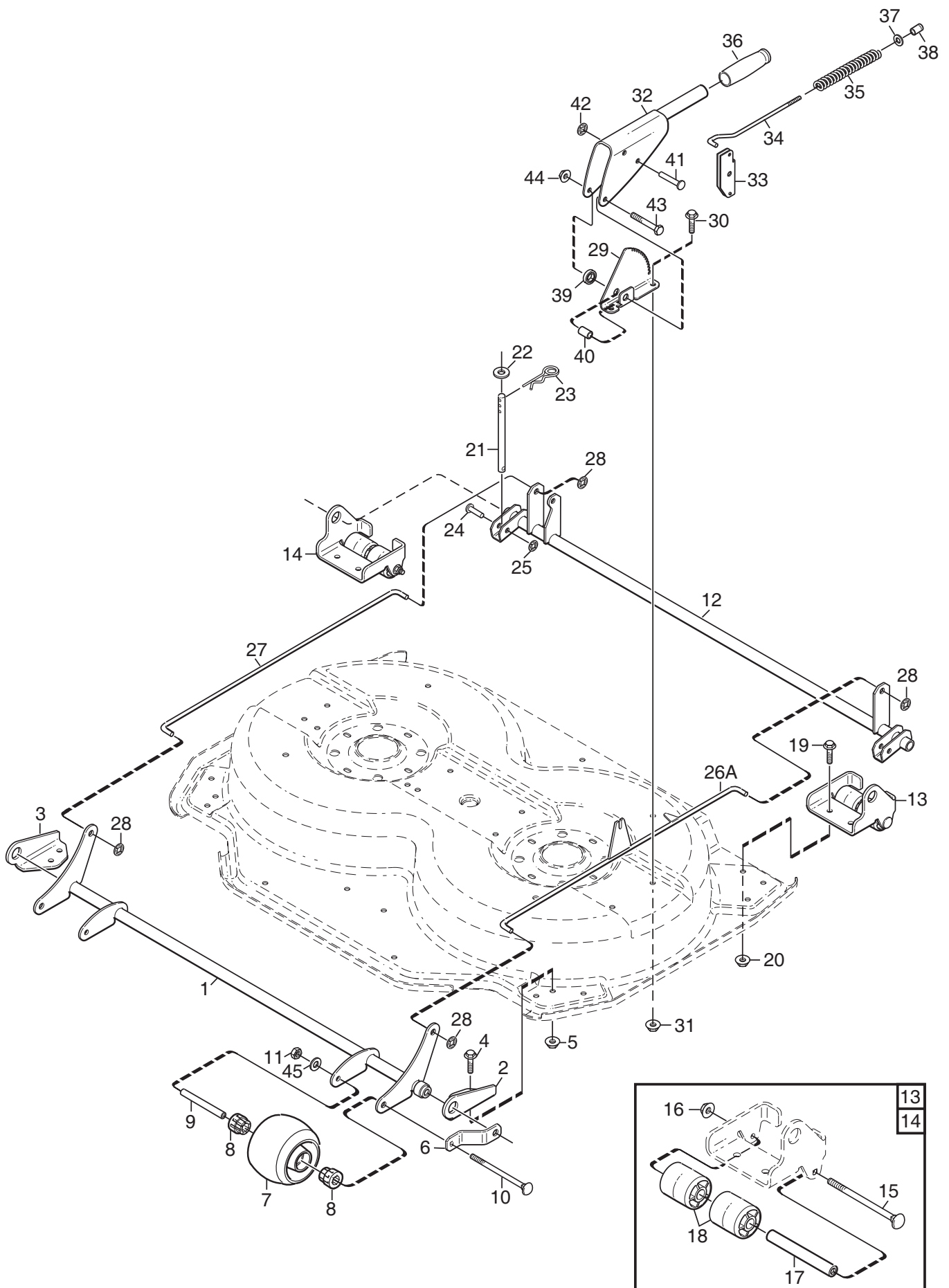
- Use GLOBAL GARDEN PRODUCT Genuine Spare Parts specified in the parts list for repair and/or replacement.
- The contents described in the parts list may change due to improvement.
- The drawings of the spare parts are only indicative and might not represent the part in question exactly.
- The indications "right" - "left" - "front" - "rear" refer to the position of the operator when using the machine.
- When placing orders of parts for repair and/or replacement, make sure that the illustrated parts list is the one applying to the machine's year of manufacture, as shown on the identification plate attached to the machine.

COPYRIGHT by GLOBAL GARDEN PRODUCTS

All rights reserved. No part of this material may be reproduced or transmitted, in any form or by any means, electronic or mechanical, including photocopying, recording or by any information storage and retrieval system, without permission in writing from GLOBAL GARDEN PRODUCTS.

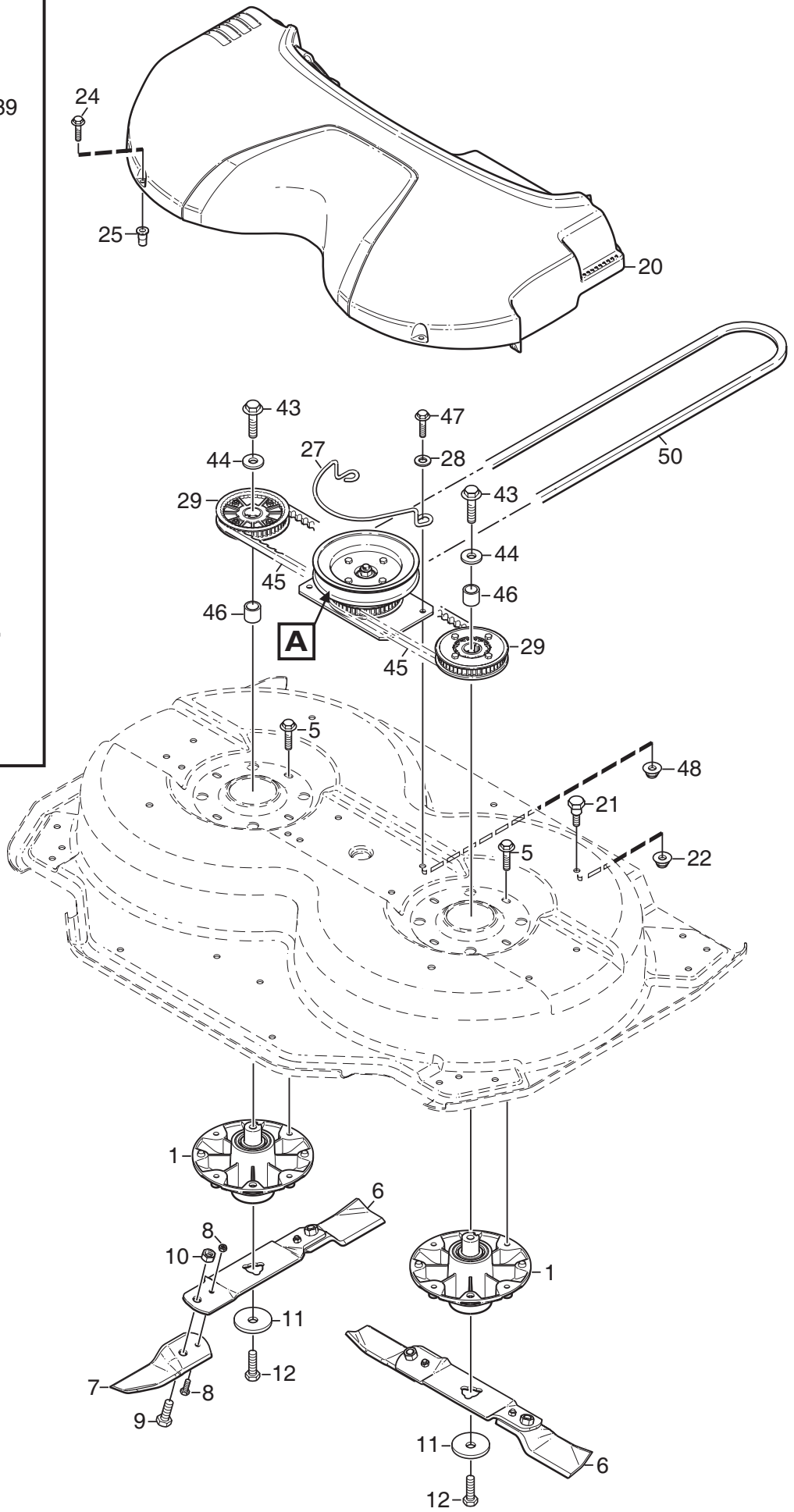
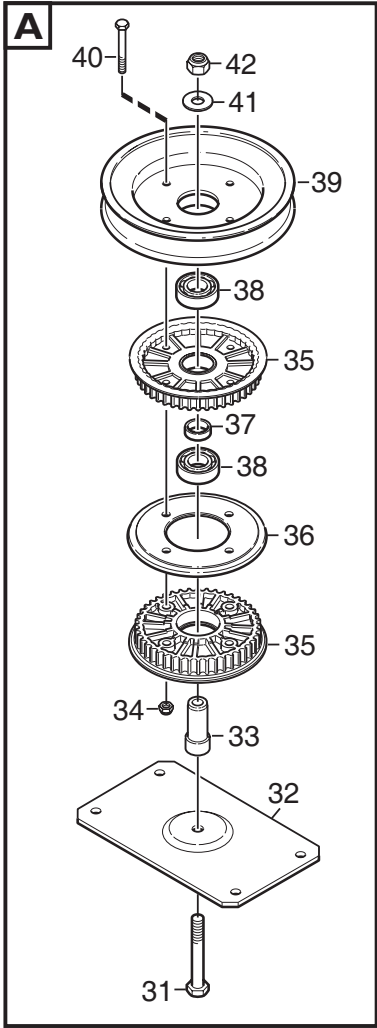


Ausgabe Issue 2007-32		Bild Nr Picture No C137		XK MÄHWERK 95C RAHMEN		XK MOWER DECK 95C FRAME		Seite Page 92	
Pos. Fig.	Anzahl/Quantity				Artikel Nr. Part No	Bezeichnung	Description	Satz Kit	Anmerkung Notes
	2964								
X	1	1			1134-6190-03	Haube- rot.....	Casing- red.....		Pos 13 incl.
X	2	1			1134-6208-02	Frontschutz- schwarz.....	Front guard tube- bl. ....		
X	3	2			1134-6222-02	Seitenschutz- schwarz .....	Side guard tube- black .....		
X	4	6			9403-0025-70	Propfen- schwarz.....	End cap- black.....		
	5	6			9959-0816-16	Schraube .....	Screw .....		
	6	6			9739-0831-22	Mutter .....	Nut .....		
X	7	1			1134-6281-02	Gummischutz .....	Rubber guard .....		
	8	3			9959-0816-16	Schraube .....	Screw .....		
	9	3			1134-4185-01	Flanschscheibe .....	Flange washer .....		
	10	3			9739-0831-22	Mutter .....	Nut .....		
X	11	1			1134-6229-01	Mulchpropfen .....	Mulching plug .....		
	12	1			9959-0816-16	Schraube .....	Screw .....		
	13	1			1134-5595-01	• Nietmutter.....	• Riveting nut.....		
X	20	1			1134-6237-09	Mähwerkarm- L, schw .....	Deck arm- LH, black.....		
X	21	1			1134-6237-10	Mähwerkarm- R, schw.....	Deck arm- RH, black .....		
X	22	2			1134-6279-01	Schulter-schraube.....	Shoulder bolt .....		
X	23	1			1134-6315-02	Hebehalter- schw .....	Lift bracket- black.....		
	24	2			9959-0816-16	Schraube .....	Screw .....		
	25	2			9739-0831-22	Mutter .....	Nut .....		
X	30	1			1134-6362-01	Hebefeder kpl .....	Lift spring assy .....	Pos 31 - 35 incl.	
	31	2			1134-5528-01	• Karabinerhaken.....	• Snap hook.....		
X	32	1			1134-6368-02	• Kette .....	• Chain .....	7 links	
X	33	1			1134-6368-01	• Kette .....	• Chain .....	4 links	
X	34	1			1134-6365-03	• Hebefeder .....	• Lift spring.....		
X	35	2			1134-4623-01	• S- Haken .....	• S- hook.....		
X	99	1			8211-7080-70	Bedienungsanleitung .....	Owner's manual .....	Not ill.	

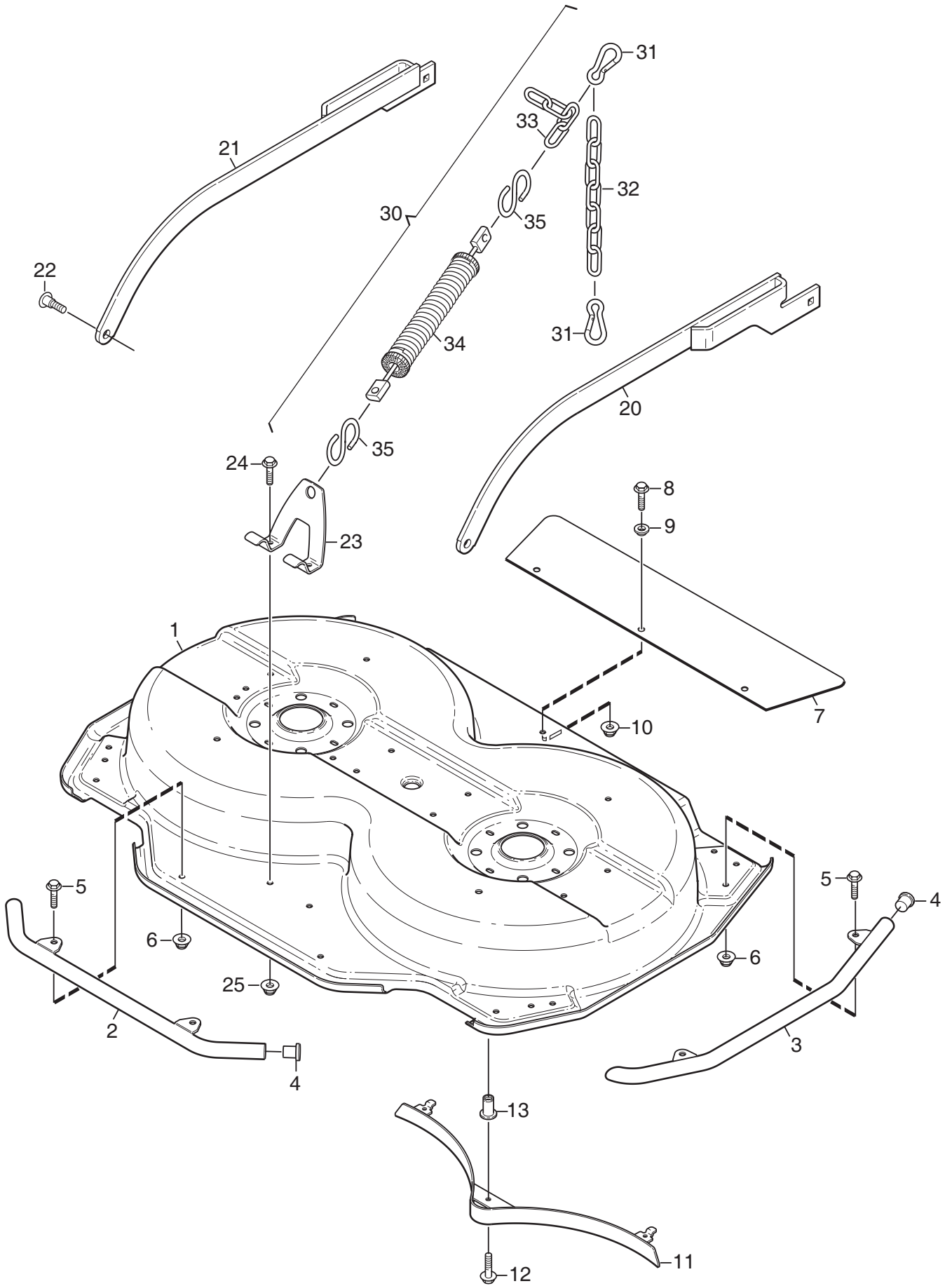


C127

Ausgabe Issue 2007- 32		Bild Nr Picture No C127		XK MÄHWERK 95C REGULIERUNGEN		XK MOWER DECK 95C CONTROLS		Seite Page 94	
Pos. Fig.	Anzahl/Quantity				Artikel Nr. Part No	Bezeichnung	Description	Satz Kit	Anmerkung Notes
	2964								
X	1	1			1134-6275-02	Vorderachse- schwarz .....	Front axle- black.....		
X	2	1			1134-6214-03	Halter- L, schwarz.....	Bracket fr- LH, black.....		
X	3	1			1134-6214-04	Halter- R, schwarz .....	Bracket fr- RH, black .....		
	4	4			9959-0816-16	Schraube .....	Screw .....		
	5	4			9739-0831-22	Mutter .....	Nut .....		
X	6	2			1134-6278-02	Leitblech- schwarz.....	Guide- black .....		
	7	2			1134-4284-01	Rad .....	Wheel.....		
	8	4			1134-4319-01	Lager .....	Bearing.....		
	9	2			1134-4318-01	Radachse.....	Wheel axle.....		
X	10	2			9897-0813-22	Schraube .....	Screw .....		
	11	2			9747-0831-02	Mutter.....	Lock nut.....		
X	12	1			1134-6197-02	Hinterachse- schwarz .....	Rear axle- black .....		
X	13	1			1134-6282-01	Rollen- L, m.Halter.....	Roller- LH, w/bracket .....		Pos 15 - 18 incl.
X	14	1			1134-6282-02	Rollen- R, m.Halter .....	Roller- RH, w/bracket.....		Pos 15 - 18 incl.
X	15	1			9897-0813-02	• Schraube .....	• Screw .....		
	16	1			9739-0831-22	• Mutter .....	• Nut .....		
	17	1			1134-4318-01	• Radachse.....	• Wheel axle.....		
X	18	2			1134-6206-01	• Rollen .....	• Roller .....		
	19	4			9959-0816-16	Schraube .....	Screw .....		
	20	4			9739-0831-22	Mutter .....	Nut .....		
X	21	2			1134-6198-01	Stange .....	Stud .....		
	22	2			9699-0104-02	Scheibe.....	Washer.....		
	23	2			9598-2001-02	Schließnadel .....	Spring pin .....		
X	24	2			9646-0098-22	Niet.....	Rivet.....		
	25	2			9675-0012-02	Verriegelungsscheibe .....	Locking washer.....		
X	26 A	1			1134-6249-02	Druckstange- L .....	Push rod- LH.....		
X	27	1			1134-6246-02	Druckstange- R.....	Push rod- RH .....		
	28	4			9675-0015-02	Verriegelungsscheibe .....	Lock washer.....		
X	29	1			1134-6255-01	Höhenverstellsektor.....	Height adj. quadrant.....		
	30	2			9959-0816-16	Schraube .....	Screw .....		
	31	2			9739-0831-22	Mutter .....	Nut .....		
X	32	1			1134-6244-02	Höhenverst.hebel- schw .....	Height adj.lever- bl. ....		
X	33	1			1134-6254-01	Sperre.....	Catch.....		
	34	1			1134-5444-01	Druckstange .....	Push rod .....		
	35	1			1134-5445-01	Feder .....	Spring .....		
	36	1			1134-5503-01	Griff .....	Handle.....		
	37	1			9699-0087-02	Scheibe.....	Flat washer.....		
	38	1			1134-3051-01	Sperrknopf.....	Locking knob .....		
X	39	1			1134-6286-03	Distanz.....	Spacer.....		
X	40	1			1134-1565-16	Distanz.....	Spacer.....		
X	41	2			9646-0105-22	Niet.....	Rivet.....		
	42	2			9672-0006-02	Verriegelungsscheibe .....	Lock washer .....		
	43	1			9997-0850-16	Schraube .....	Screw .....		
	44	1			9739-0831-22	Mutter .....	Nut .....		
	45	2			9699-0028-02	Scheibe.....	Flat washer.....		

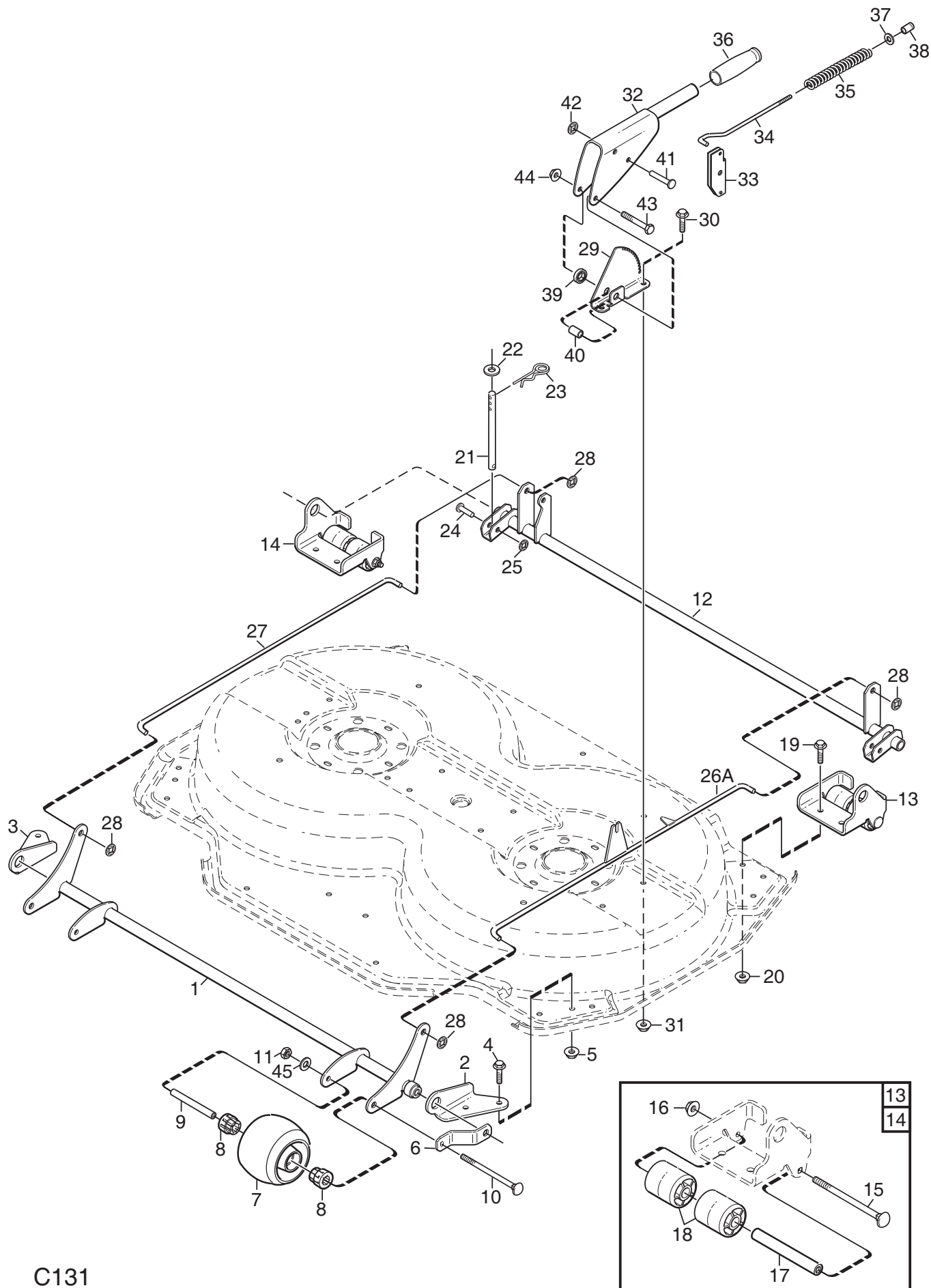


Ausgabe Issue 2007- 32		Bild Nr Picture No C129		XK MÄHWERK 95C TRANSMISSION		XK MOWER DECK 95C TRANSMISSION		Seite Page 96	
Pos. Fig.	Anzahl/Quantity				Artikel Nr. Part No	Bezeichnung	Description	Satz Kit	Anmerkung Notes
	2964 -41 -81	2964 -51 -71							
X	1	2	2		1134-5831-01	Lagerbuchse kpl .....	Bearing box assy.....		
	5	8	8		9945-0825-16	Schraube .....	Screw.....		
X	6	2	2		1134-6240-02	Messer kpl.....	Blade bar assy.....		Pos 7 incl.
X	7	1	1		1134-9119-01	• Messersatz .....	• Blade kit .....		Pos 8 - 10 incl.
	8	1	1		1134-9054-01	•• Scherbolzensatz.....	•• Shear bolt kit.....		
X	9	2	2		1134-6311-01	•• Bolt .....	•• Bolt.....		7/16" UNF
X	10	2	2		1134-6312-01	•• Schloßmutter .....	•• Lock nut .....		7/16" UNF
X	11	2	2		1134-6211-01	Messerscheibe.....	Blade washer.....		
	12	2	2		9997-1060-12	Schraube .....	Screw.....		
X	20	1	1		1134-6280-03	Deckel- grau.....	Transm.cover- grey .....		
	21	2	2		1134-0240-00	Ansatzbolzen .....	Shoulder screw .....		
	22	2	2		9739-0831-22	Mutter .....	Nut .....		
	24	2	2		9945-0816-16	Schraube .....	Screw.....		
	25	2	2		1134-5595-01	Nietmutter .....	Riveting nut.....		
X	27	1	1		1134-6431-01	Riemenführung.....	Belt guide.....		
	28	2	2		9699-0090-02	Scheibe.....	Flat washer.....		
X	29	2	2		1134-6287-01	Zahnriemenscheibe .....	Toothed belt pulley .....		
	31	1	1		9997-1065-12	Schraube .....	Screw.....		
X	32	1	1		1134-6209-01	Halterung.....	Bracket.....		
X	33	1	1		1134-6205-01	Achse.....	Shaft .....		
	34	4	4		9747-0631-02	Mutter .....	Lock nut.....		
X	35	2	2		1134-6186-01	Zahnriemenscheibe .....	Toothed belt pulley.....		
X	36	1	1		1134-6188-01	Distanzplatte.....	Spacer plate .....		
X	37	1	1		1134-3725-05	Distanz.....	Spacer.....		
	38	2	2		9549-0019-00	Kugellager .....	Ball bearing .....		
X	39	1	1		1134-6203-01	Riemenscheibe .....	Belt pulley .....		Ø = 154 mm
	40	4	4		9997-0650-12	Schraube .....	Screw.....		
	41	1	1		9699-0030-02	Scheibe.....	Flat washer.....		
	42	1	1		9747-1031-02	Mutter .....	Lock nut.....		
	43	2	2		9997-1060-12	Schraube .....	Screw.....		
	44	2	2		1134-5406-01	Scheibe.....	Washer.....		
X	45	2	2		9585-0164-01	Zahnriemen .....	Toothed belt .....		
X	46	2	2		1134-5400-04	Distanz.....	Spacer.....		
	47	4	4		9959-0820-16	Schraube .....	Screw.....		
	48	4	4		9739-0831-22	Mutter .....	Nut .....		
X	50	1			9585-0169-01	Keilriemen .....	V- belt.....		
X	50		1		9585-0171-01	Keilriemen .....	V- belt.....		





Ausgabe Issue 2007-32		Bild Nr Picture No C130		XK MÄHWERK 105C RAHMEN		XK MOWER DECK 105C FRAME		Seite Page 98	
Pos. Fig.	Anzahl/Quantity				Artikel Nr. Part No	Bezeichnung	Description	Satz Kit	Anmerkung Notes
	2972								
X	1	1			1134-6191-03	Haube- rot.....	Casing- red.....		Pos 13 incl.
X	2	1			1134-6208-02	Frontschutz- schwarz.....	Front guard tube- bl. ....		
X	3	2			1134-6223-02	Seitenschutz- schwarz .....	Side guard tube- black .....		
X	4	6			9403-0025-70	Propfen- schwarz.....	End cap- black.....		
	5	6			9959-0816-16	Schraube .....	Screw .....		
	6	6			9739-0831-22	Mutter .....	Nut .....		
X	7	1			1134-6281-03	Gummischutz .....	Rubber guard .....		
	8	3			9959-0816-16	Schraube .....	Screw .....		
	9	3			1134-4185-01	Flanschscheibe .....	Flange washer .....		
	10	3			9739-0831-22	Mutter .....	Nut .....		
X	11	1			1134-6231-01	Mulchpropfen .....	Mulching plug .....		
	12	1			9959-0816-16	Schraube .....	Screw .....		
	13	1			1134-5595-01	• Nietmutter.....	• Riveting nut.....		
X	20	1			1134-6237-07	Mähwerkarm- L, schw .....	Deck arm- LH, black.....		
X	21	1			1134-6237-08	Mähwerkarm- R, schw.....	Deck arm- RH, black .....		
X	22	2			1134-6279-01	Schulter-schraube.....	Shoulder bolt .....		
X	23	1			1134-6315-02	Hebehalter- schw .....	Lift bracket- black.....		
	24	2			9959-0816-16	Schraube .....	Screw .....		
	25	2			9739-0831-22	Mutter .....	Nut .....		
X	30	1			1134-6362-01	Hebefeder kpl .....	Lift spring assy .....	Pos 31 - 35 incl.	
	31	2			1134-5528-01	• Karabinerhaken.....	• Snap hook.....		
X	32	1			1134-6368-02	• Kette .....	• Chain .....		
X	33	1			1134-6368-01	• Kette .....	• Chain .....		
X	34	1			1134-6365-03	• Hebefeder .....	• Lift spring.....		
X	35	2			1134-4623-01	• S- Haken .....	• S- hook.....	Not ill.	
X	99	1			8211-7080-70	Bedienungsanleitung .....	Owner's manual .....		



C131

Ausgabe Issue 2007- 32		Bild Nr Picture No C131			XK MÄHWERK 105C REGULIERUNGEN		XK MOWER DECK 105C CONTROLS		Seite Page 100	
Pos. Fig.	Anzahl/Quantity				Artikel Nr. Part No	Bezeichnung	Description	Satz Kit	Anmerkung Notes	
	2972									
X	1	1			1134-6275-02	Vorderachse- schwarz .....	Front axle- black.....			
X	2	1			1134-6215-03	Halter- L, schwarz.....	Bracket fr- LH, black.....			
X	3	1			1134-6215-04	Halter- R, schwarz .....	Bracket fr- RH, black .....			
	4	4			9959-0816-16	Schraube .....	Screw.....			
	5	4			9739-0831-22	Mutter .....	Nut .....			
X	6	2			1134-6278-02	Leitblech- schwarz.....	Guide- black .....			
	7	2			1134-4284-01	Rad .....	Wheel.....			
	8	4			1134-4319-01	Lager .....	Bearing.....			
	9	2			1134-4318-01	Radachse.....	Wheel axle.....			
X	10	2			9897-0813-22	Schraube .....	Screw.....			
	11	2			9747-0831-02	Mutter.....	Lock nut.....			
X	12	1			1134-6197-02	Hinterachse- schwarz .....	Rear axle- black.....			
X	13	1			1134-6282-01	Rollen- L, m.Halter.....	Roller- LH, w/bracket .....		Pos 15 - 18 incl.	
X	14	1			1134-6282-02	Rollen- R, m.Halter .....	Roller- RH, w/bracket.....		Pos 15 - 18 incl.	
X	15	1			9897-0813-02	• Schraube .....	• Screw .....			
	16	1			9739-0831-22	• Mutter .....	• Nut .....			
	17	1			1134-4318-01	• Radachse.....	• Wheel axle.....			
X	18	2			1134-6206-01	• Rollen .....	• Roller .....			
	19	4			9959-0816-16	Schraube .....	Screw.....			
	20	4			9739-0831-22	Mutter .....	Nut .....			
X	21	2			1134-6198-01	Stange .....	Stud .....			
	22	2			9699-0104-02	Scheibe.....	Washer.....			
	23	2			9598-2001-02	Schließnadel .....	Spring pin .....			
X	24	2			9646-0098-22	Niet.....	Rivet.....			
	25	2			9675-0012-02	Verriegelungsscheibe .....	Locking washer.....			
X	26 A	1			1134-6249-01	Druckstange- L .....	Push rod- LH.....			
X	27	1			1134-6246-01	Druckstange- R.....	Push rod- RH .....			
	28	4			9675-0015-02	Verriegelungsscheibe .....	Lock washer.....			
X	29	1			1134-6255-01	Höhenverstellsektor.....	Height adj. quadrant.....			
	30	2			9959-0816-16	Schraube .....	Screw.....			
	31	2			9739-0831-22	Mutter .....	Nut .....			
X	32	1			1134-6244-02	Höhenverst.hebel- schw .....	Height adj.lever- bl. ....			
X	33	1			1134-6254-01	Sperre.....	Catch.....			
	34	1			1134-5444-01	Druckstange .....	Push rod .....			
	35	1			1134-5445-01	Feder .....	Spring .....			
	36	1			1134-5503-01	Griff .....	Handle.....			
	37	1			9699-0087-02	Scheibe.....	Flat washer.....			
	38	1			1134-3051-01	Sperrknopf.....	Locking knob .....			
X	39	1			1134-6286-03	Distanz.....	Spacer.....			
X	40	1			1134-1565-16	Distanz.....	Spacer.....			
X	41	2			9646-0105-22	Niet.....	Rivet.....			
	42	2			9672-0006-02	Verriegelungsscheibe .....	Lock washer .....			
	43	1			9997-0850-16	Schraube .....	Screw.....			
	44	1			9739-0831-22	Mutter .....	Nut .....			
	45	2			9699-0028-02	Scheibe.....	Flat washer.....			



Ausgabe Issue 2007- 32		Bild Nr Picture No C132		XK MÄHWERK 105C TRANSMISSION		XK MOWER DECK 105C TRANSMISSION		Seite Page 102	
Pos. Fig.	Anzahl/Quantity				Artikel Nr. Part No	Bezeichnung	Description	Satz Kit	Anmerkung Notes
	2972 -41 -81	2972 -51 -71							
X	1	2	2		1134-5831-01	Lagerbuchse kpl .....	Bearing box assy.....		
	5	8	8		9945-0825-16	Schraube .....	Screw .....		
X	6	2	2		1134-6240-03	Messer kpl.....	Blade bar assy.....		Pos 7 incl.
X	7	1	1		1134-9119-01	• Messersatz .....	• Blade kit .....		Pos 8 - 10 incl.
	8	1	1		1134-9054-01	•• Scherbolzensatz.....	•• Shear bolt kit.....		
X	9	2	2		1134-6311-01	•• Bolt .....	•• Bolt.....		7/16" UNF
X	10	2	2		1134-6312-01	•• Schloßmutter .....	•• Lock nut .....		7/16" UNF
X	11	2	2		1134-6211-01	Messerscheibe.....	Blade washer.....		
	12	2	2		9997-1060-12	Schraube .....	Screw.....		
X	20	1	1		1134-6280-03	Deckel- grau.....	Transm.cover- grey .....		
	21	2	2		1134-0240-00	Ansatzbolzen .....	Shoulder screw .....		
	22	2	2		9739-0831-22	Mutter .....	Nut .....		
	24	2	2		9945-0816-16	Schraube .....	Screw.....		
	25	2	2		1134-5595-01	Nietmutter .....	Riveting nut.....		
X	27	1	1		1134-6431-01	Riemenführung.....	Belt guide.....		
	28	2	2		9699-0090-02	Scheibe.....	Flat washer.....		
X	29	2	2		1134-6287-01	Zahnriemenscheibe .....	Toothed belt pulley .....		
	31	1	1		9997-1065-12	Schraube .....	Screw.....		
X	32	1	1		1134-6209-01	Halterung.....	Bracket .....		
X	33	1	1		1134-6205-01	Achse.....	Shaft .....		
	34	4	4		9747-0631-02	Mutter .....	Lock nut.....		
X	35	2	2		1134-6186-01	Zahnriemenscheibe .....	Toothed belt pulley.....		
X	36	1	1		1134-6188-01	Distanzplatte.....	Spacer plate .....		
X	37	1	1		1134-3725-05	Distanz.....	Spacer.....		
	38	2	2		9549-0019-00	Kugellager .....	Ball bearing .....		
X	39	1	1		1134-6204-01	Riemenscheibe .....	Belt pulley .....		Ø = 168 mm
	40	4	4		9997-0650-12	Schraube .....	Screw.....		
	41	1	1		9699-0030-02	Scheibe.....	Flat washer.....		
	42	1	1		9747-1031-02	Mutter .....	Lock nut.....		
	43	2	2		9997-1060-12	Schraube .....	Screw.....		
	44	2	2		1134-5406-01	Scheibe.....	Washer.....		
X	45	2	2		9585-0165-01	Zahnriemen .....	Toothed belt .....		
X	46	2	2		1134-5400-04	Distanz.....	Spacer.....		
	47	4	4		9959-0820-16	Schraube .....	Screw.....		
	48	4	4		9739-0831-22	Mutter .....	Nut .....		
X	50	1			9585-0170-01	Keilriemen .....	V- belt.....		
X	50		1		9585-0172-01	Keilriemen .....	V- belt.....		