

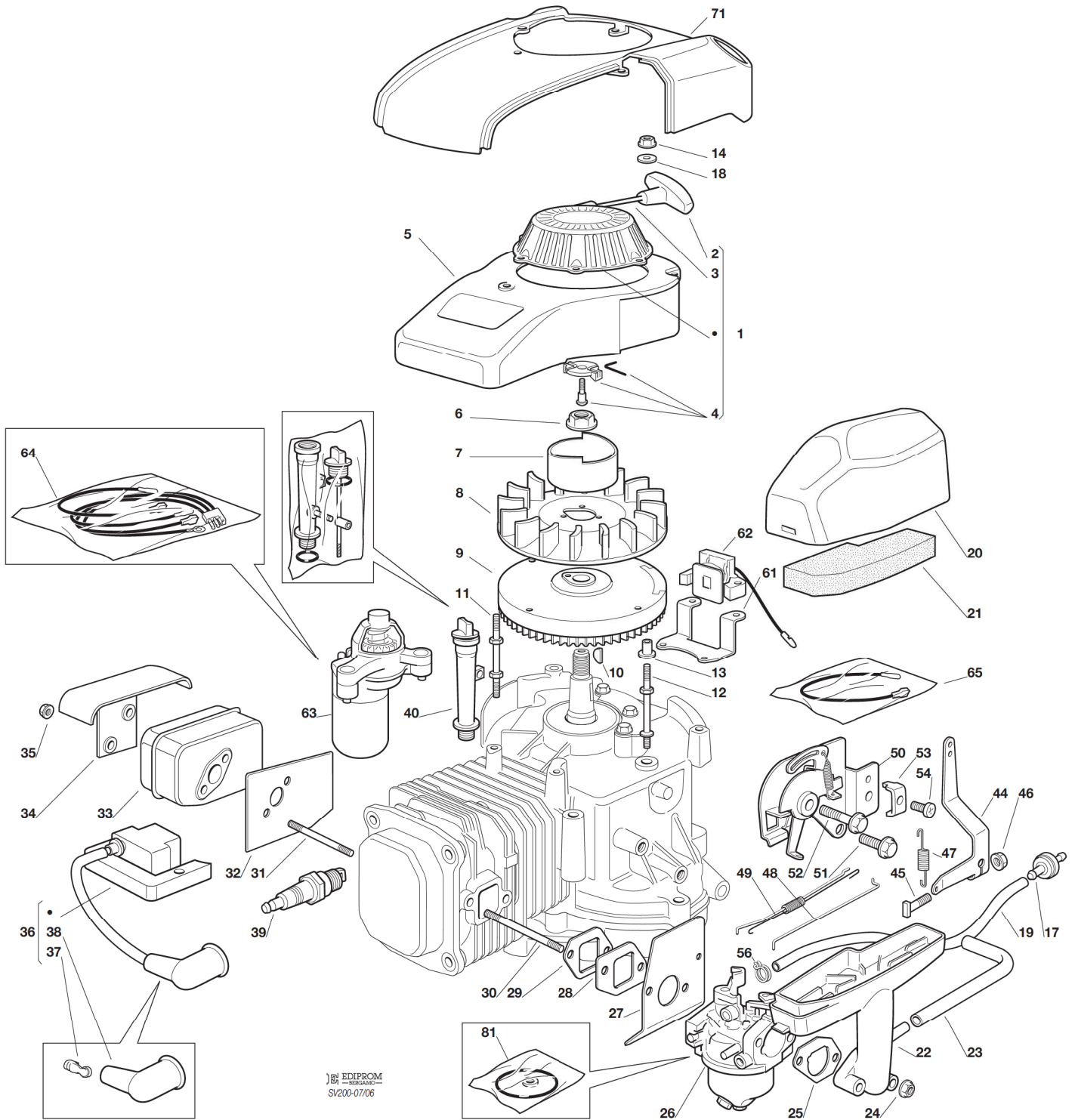
R200ES

200 cc

2008

304.0

1 / 4



EDIPROM
REGALMIO
SV200-07/06





N.	CODE	Q.TY	DESCRIZIONE	DESCRIPTION	DESCRIPTION	BESCHREIBUNG
1	118550161/1	1	ASS. AVVIATORE	STARTER ASSY	DÉMARREUR	SET STARTER
2	18550052/0	1	MANIGLIA AVVIATORE	STARTER HANDLE	POIGNEE DEMARREUR	ANLASSERGRIF
3	18550053/0	1	FUNE AVVIAMENTO	STARTER CORD	CÂBLE DÉMARRAGE	SEIL STARTER
4	18550004/1	1	KIT AGGANCI AVVIATORE	STARTER PAWL SET	KIT ACCROCHAGE DEMARREUR	ANLASSER-EINSPANNSATZ
5	18550162/0	1	CAPPOTTINA	COVER	CAPOT	HAUBE
6	18550056/0	1	DADO	NUT	ECROU	MUTTER
7	18550198/0	1	COPPA AVVIAMENTO	STARTER CUP	COUPE DÉMARREUR	STARTERGEHÄUSE
8	18550167/0	1	VENTOLA VOLANO	FLYWHEEL FAN	VENTILATEUR	GEBLÄSE
9	18550168/0	1	ASS. VOLANO C/MASSE	FLYWHEEL ASS.Y	ENS. VOLANT	SCHWUNGRAD MAGNET
10	18550061/0	1	LINGUETTA PER VOLANO	FLYWHEEL KEY	LANGUETTE POUR VOLANT	LASCHE F. SCHWUNGRAD
11	18550171/0	1	VITE	SCREW	VIS	SCHRAUBE
12	18550172/0	2	VITE	SCREW	VIS	SCHRAUBE
13	18550170/0	3	BUSSOLA	BUSH	DOUILLE	BÜCHSE
14	18550050/0	3	DADO	NUT	ECROU	MUTTER
17	18550166/0	1	FILTRO CARBURANTE	SCREEN	FILTRE CARBURANT	TREIBSTOFFFILTER
18	18550164/0	2	BUSSOLA	BUSH	DOUILLE	BÜCHSE
19	18550084/0	1	TUBO CARBURANTE	FUEL PIPE	CONDUITE COMBUSTIBLE	KRAFTSTOFFLEITUNG
20	18550160/0	1	COPERCHIO FILTRO ARIA	AIR CLEANER COVER	COUVERCLE FILTRE AIR	LUFTFILTERDECKEL
21	18550187/0	1	ELEMENTO FILTRANTE	AIR FILTER	ELEMENT FILTRANT	FILTERELEMENT
22	18550186/0	1	COLLETORE FILTRO ARIA	INTAKE MANIFOLD	COLLECTEUR AIR	LUFTKOLLEKTOR
23	18550181/0	1	TUBO SFIATO	BREATHER FULE PIPE	TUYAU SOUPIRAIL	ENTLÜFTERROHR
24	18550081/0	2	DADO	NUT	ECROU	MUTTER
25	18550078/0	1	GUARNIZIONE CARBURATORE	CARBURETOR GASKET	GARNITURE CARBURATEUR	DICHTUNG VERGASER
26	18550077/0	1	CARBURATORE	CARBURETTOR	CARBURATEUR	VERGASER
27	18550124/0	1	DISTANZIALE TERMICO	HEAT BLOCK	BLOCAGE THERMIQUE	THERMOISOLIERUNG
28	18550076/0	1	COLLETORE ASPIRAZIONE	INTAKE MANIFOLD	COLLECTEUR ASPIRATEUR	KOLLEKTOR ANSAUGUNG
29	18550075/0	1	GUARNIZIONE COLETT.-CILINDRO	INTAKE-MANIFOLD GASKET	GARNITURE COLL.-CYLIN.	DICHTUNG KOLL.-ZYLINDER
30	18550188/0	2	PRIGIONIERO	DOUBLE-SCREW BOLT	PRISONNIER	STIFTSCHRAUBE
31	18550069/0	2	PRIGIONIERO	DOUBLE-SCREW BOLT	PRISONNIER	STIFTSCHRAUBE
32	18550068/0	1	GUARNIZIONE SILENZIATORE	GASKET, MUFFLER	GARNITURE SILENCIEUX	SCHALLDÄMPFERDICHTUNG
33	18550185/0	1	SILENZIATORE	MUFFLER	SILENCIEUX	SCHALLDÄMPFER
34	18550184/0	1	PROTEZIONE SILENZIATORE	MUFFLER GUARD	PROTECTION SILENCIEUX	SCHALLDÄMPFERSCHUTZ
35	18550050/0	2	DADO	NUT	ECROU	MUTTER
36	18550070/0	1	BOBINA ELETTRONICA	ELETRONIC COIL	BOBINE ÉLECTRONIQUE	ELEKTRONIKSPULE
37	18550071/0	1	TERMINALE FILO CANDELA	SPARK PLUG TERMINAL	BORNE FIL BOBINE	ENDE SPULENDRAHT
38	18550072/0	1	CAPPUCCIO CANDELA	SPARK PLUG COVER	CAPUCHON BOUGIE	ZÜNDKERZENKAPPE
39	18550073/0	1	CANDELA	SPARK PLUG	BOUGIE	ZÜNDKERZE
40	18550063/0	1	ASS. TUBO LIVELLO OLIO	OIL FILLER ASSY	ENSEMBLE TUYAU NIVEAU HUILE	GESAMTANSICHT ÖLSTANDROHR
44	18550086/0	1	LEVA COM. ACCELERATORE	ROCKER ARM	LEVIER	HEBEL
45	18550085/0	1	PERNO	PIN	PIVOT	BOLZEN
46	18550050/0	1	DADO	NUT	ECROU	MUTTER
47	18550087/0	1	MOLLA	SPRING	RESSORT	FEDER
48	18550088/0	1	LEVA COMADO ARIA	CHOKE CONTROL ROD	LEVIER AIR	CHOKERHEBEL
49	18550089/0	1	ASS. MOLLA/LEVA ACCELERATORE	GOVERNOR LINK/SPRING ASSY	ENS. DE LIEN/RESSORT DE GOUVERNEUR	REGLERVERBINDUNGS-/FRÜHLINGSZUS
50	18550092/1	1	COMANDO ACCELERATORE	REMOTE CONTROL ASSY	COMAND DU ACCELERATEUR	GASGESTANGE
51	18550090/0	1	VITE	SCREW	VIS	SCHRAUBE
52	18550091/0	1	VITE	SCREW	VIS	SCHRAUBE
53	18550022/0	1	FERMAGLIO CAVO	CASING CLAMP	BOUCLE CABLE	KABELKLEMME
54	18550023/0	1	VITE	SCREW	VIS	SCHRAUBE
56	18550083/0	2	FASCETTA	FAIR LED	FIXATION DE CABLE	KABELBEFESTIGUNG
61	18550175/0	1	STAFFA	CLAMP	ETRIER	BRIDE
62	18550174/0	1	ALTERNATORE	ALTERNATOR	ALTERNATEUR	DREHSTROMGENERATOR
63	18550173/0	1	ASS. MOTORINO AVVIAMENTO	START MOTOR ASSY	ENS. MOTEUR DE DEMARREUR	MOTOR KOMPL., ANLASSER
64	18550178/0	1	CAVI AVVIAMENTO	SWITCH WIRES	ENS. CÂBLE DÉMARRAGE	SATZ KABEL, START
65	18550179/0	1	CAVO BOBINA	COIL CABLE	CÂBLE BOBINE	SPULENDRAHT
71	22055447/0	1	CAPPOTTINA	COVER	CAPOT	HAUBE
81	18550096/0	1	ASS. GURANIZIONI CARBURAT.	GASKET CARBURETTOR ASSY	ENS. GARNITURES CARBURAT.	SATZ DICHTUNGEN FÜR VERGASER



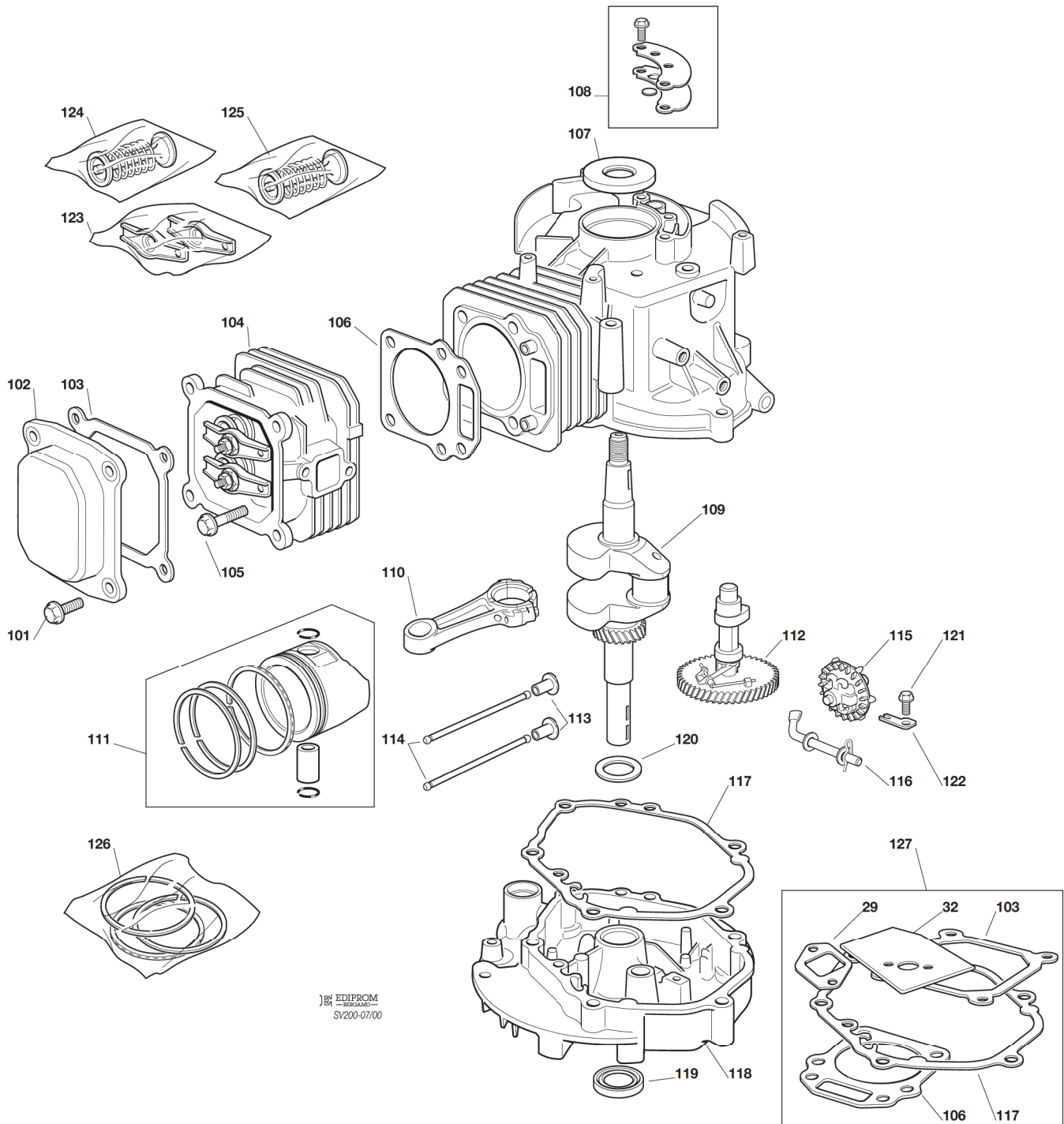
R200ES

200 cc

2008

304.0

3 / 4



EDIPROM
—SERVIZIO—
SV200-07/00





N.	CODE	Q.TY	DESCRIZIONE	DESCRIPTION	DESCRIPTION	BESCHREIBUNG
101	18550095/0	4	VITE	SCREW	VIS	SCHRAUBE
102	18550097/0	1	COPERCHIO VALVOLE	COVER COMP., HEAD	CACHE-SOUPAPES	VENTILABDECKUNG
103	18550098/0	1	GUARNIZIONE	GASKET	GARNITURE	DICHTUNG
104	18550099/0	1	ASS. TESTA CILINDRO	CYLINDER HEAD ASSY	ENS. CULASSE DU CYLINDRE	ZYLINDERKOPF
105	18550100/0	4	VITE	SCREW	VIS	SCHRAUBE
106	18550101/0	1	GUARNIZIONE TESTA CILINDRO	CYLINDER HEAD GASKET	GARNITURE TETE CYLINDRE	ZYLINDERKOPFDICHTUNG
107	18550102/0	1	ANELLO DI TENUTA	OIL SEAL	ANNEAU DE TENUE	DICHTRING
108	18550103/0	1	ASS. GUARNIZ. SFIATO OLIO	GASKET ASSY	ENS. GARNITURES	SATZ DICHTUNGEN
109	18550176/0	1	ASS. ALBERO MOTORE	CRANKSHAFT	ARBRE MOTEUR	SET MOTORWELLE
110	18550105/0	1	ASS. BIELLA MOTORE	CONNECTING ROD ASSY	ENS. BIELLE	SET PLEUELSTANGE
111	18550106/0	1	ASS. PISTONE	PISTON ASSY	ENS.PISTON	SET KOLBEN
112	18550107/1	1	ALBERO CAMME	CAMSHAFT ASSY	ARBRE À CAMES	NOCKENWELLE
113	18550108/0	1	ASS. ALZAVOLVOLE	VALVE LIFTER ASSY	ENS. POUSSOIR DE VALVE	SATZ VENTILHEBER
114	18550109/0	1	ASS. ASTE DI PUNTERIA	PUSH RODS ASSY	ENS. TIGE	SATZ STANGE
115	18550110/0	1	ASS. REGOLATORE	SPEED GOVERNOR ASSY	ENS. RÉGULATEUR DE VITESSE	SATZ DREZAHLREGLER
116	18550111/0	1	ASS. LEVA REGOLATORE CARBURAT.	CARBURETTOR THROT. CONTROL ROD	TRINGLE COMMANDE DE CARBURAT.	VERGASERLEISTUNGSHBELGESTÄNGE
117	18550112/0	1	GUARNIZIONE CARTER MOTORE	CRANKCASE GASKET	GARNITURE CARTER	GEHÄUSEDICHTUNG
118	18550113/0	1	CARTER MOTORE	CRANKCASE SET COMP	CARTER MOTEUR	MOTORGEHÄUSE
119	18550114/0	1	ANELLO DI TENUTA	SEAL RING	ANNEAU DE TENUE	DICHTRING
120	18550115/0	1	ROSETTA	WASHER	RONDELLE	SCHEIBE
121	18550116/0	1	VITE	SCREW	VIS	SCHRAUBE
122	18550117/0	1	PIASTRINA FISSAGGIO REGOLAT.	SPEED GOVERNOR CLAMP	PLAQUE	HALTEBLECH
123	18550118/0	1	SET BILANCIERI VALVOLE	VALVE ARM SET	ENS. CULBUTEUR	SATZ KIPPHEBEL
124	18550119/0	1	ASS. VALVOLA SCARICO	EXHAUST VALVE ASSY	ENS. SOUPAPE ÉVACUATION	SATZ ABFLUSSVENTIL
125	18550120/0	1	ASS. VALVOLA ASPIRAZIONE	INTAKE VALVE ASSY	ENS. SOUPAPE ASPIRATION	SATZ ANSAUGVENTIL
126	18550121/0	1	ASS. FASCE ELASTICHE	PISTON, RING SET	ENS. BAGUES ÉLASTIQUES	SET ELASTISCHE RINGE
127	18550122/0	1	ASS. GUARNIZIONI	GASKET SET	KIT GARNITURES	SATZ DICHTUNGEN
-	18550196/0	1	MOTORE ASSEMBLATO (COMPRENDE 1÷65 + 101÷122)	ENGINE ASSEMBLED INCLUDING 1÷65 + 101÷122)	MOTEUR COMPLETE (COMPRENANT 1÷65 + 101÷122)	MOTOR KOMPLETT (MITGELIEFERTEN 1÷65 + 101÷122)

